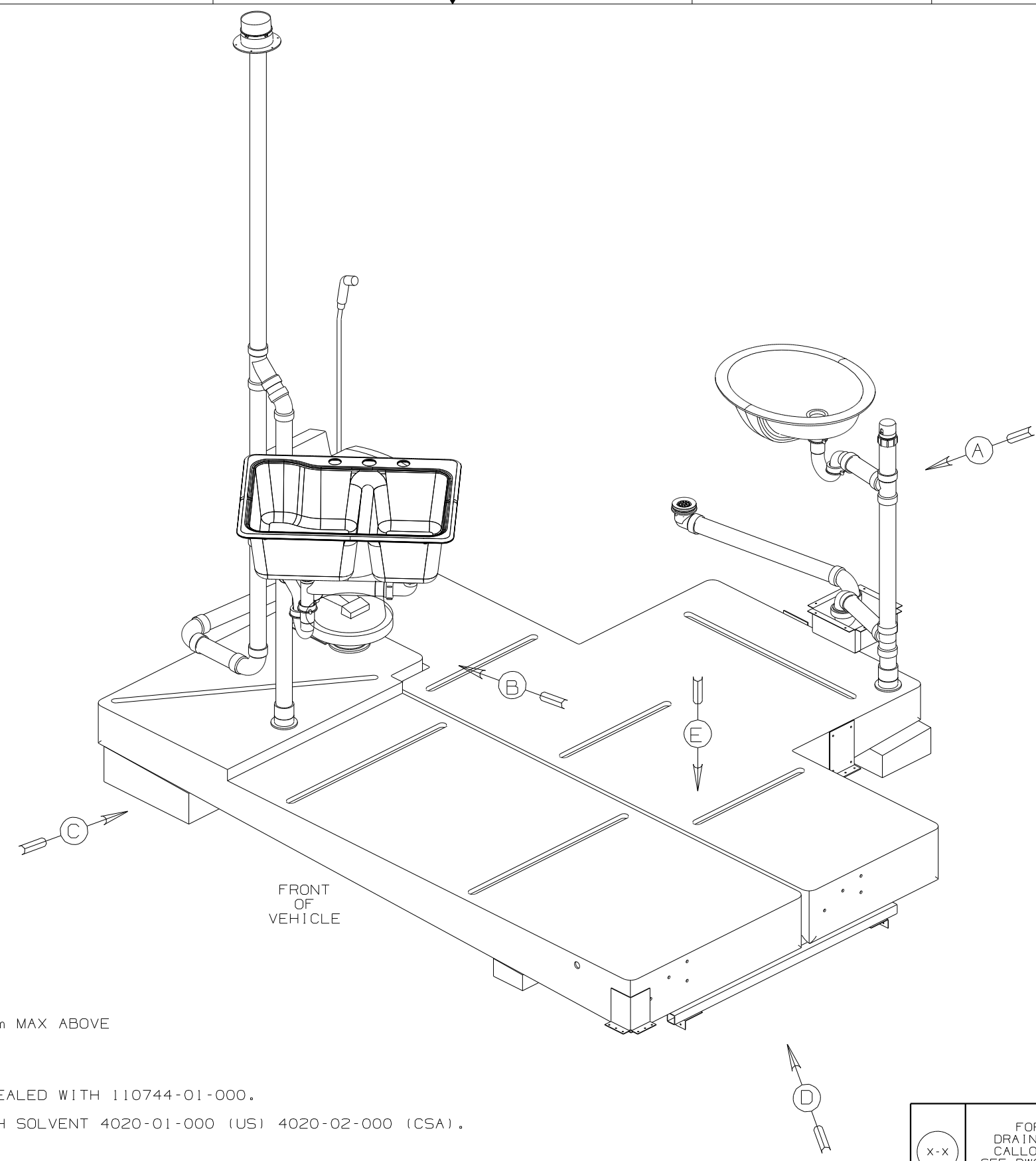


DWG NO	----
146279-01	(WIN)
146279-02	(ITA)

RELEASE	REV DATE	DWG NO	146279
REV ZONE	REVISION RECORD	DATE	DFT-016

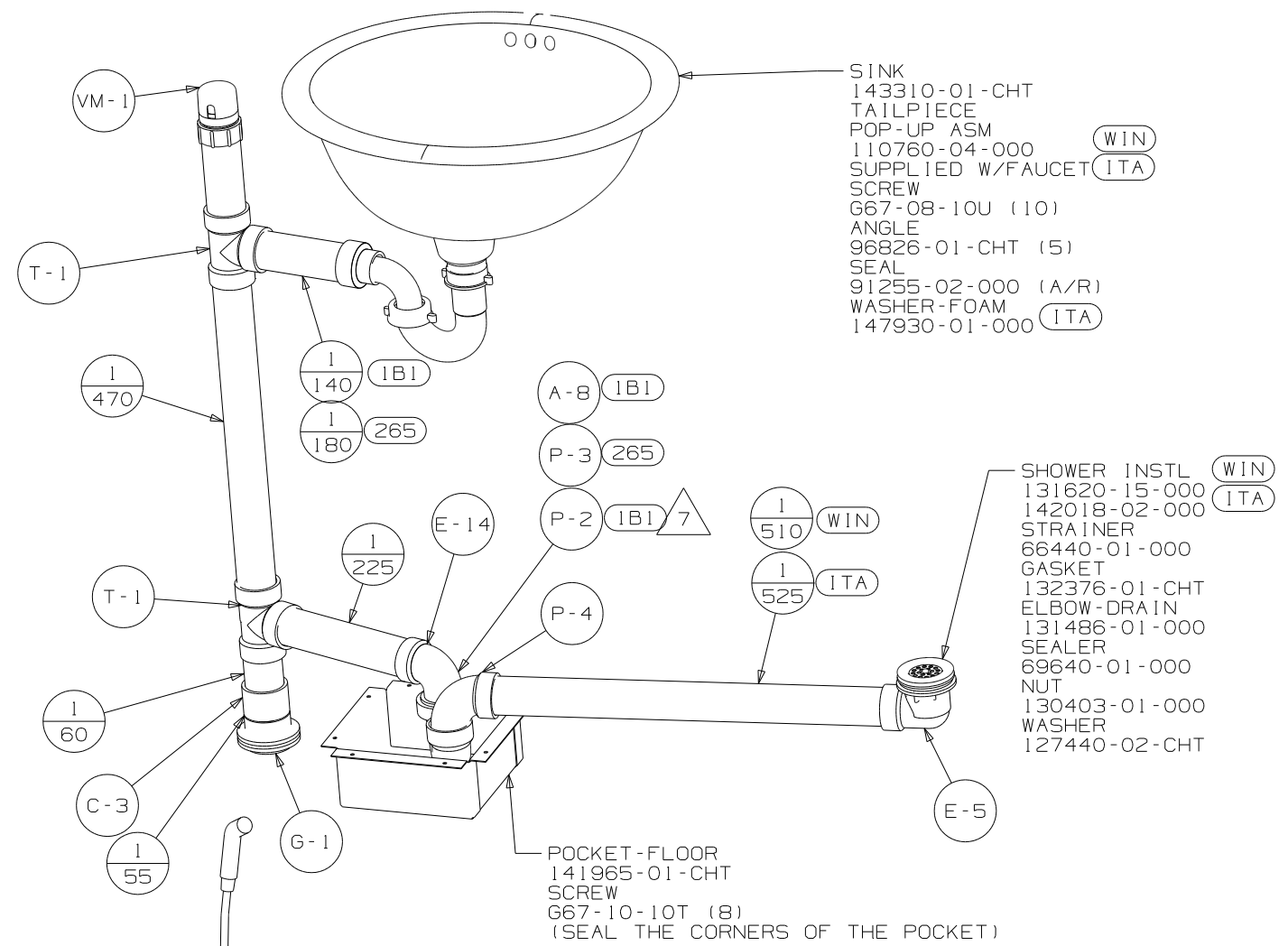


- (WIN) WINNEBAGO ONLY
- (ITA) ITASCA ONLY
- (430) TOILET-PORCELAIN
- (43M) TOILET PORCELAIN-ELONGATED
- (265) CODES/STDS-CSA/CVSS
- (IB1) CODES/STANDARS-USA

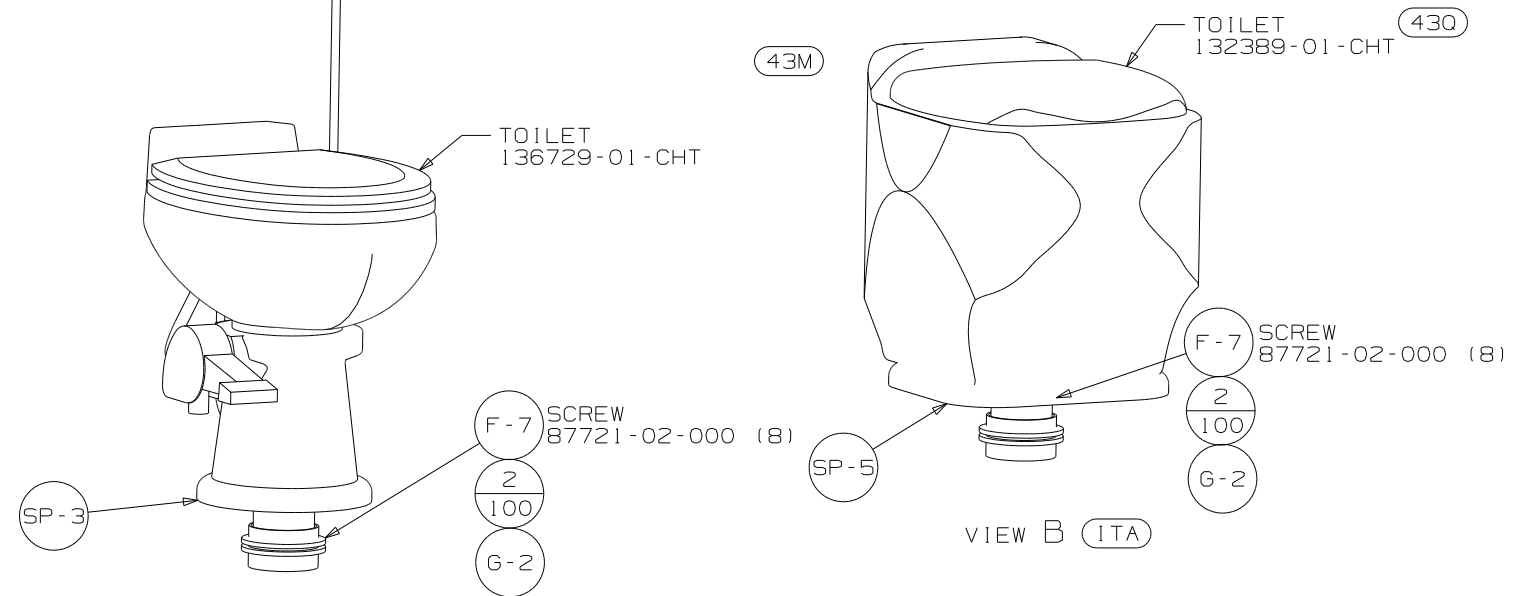
- NOTES:
- 7 TRIM TO FIT.
 - 6 VENT PIPE MUST PROJECT 51 mm MIN AND 64 mm MAX ABOVE ROOF FOR PROPER FIT.
 - 5. SEAL AROUND SHOWER WITH SILICONE.
 - 4. ALL EXTERIOR OPENINGS AROUND PIPE TO BE SEALED WITH 110744-01-000.
 - 3. ALL PIPE AND FITTINGS TO BE ASSEMBLED WITH SOLVENT 4020-01-000 (US) 4020-02-000 (CSA).
 - 2. SLOPE OF TRAP ARM MUST BE 6 PER 305 mm.
 - 1. SLOPE OF HORIZONTAL PIPING TO BE 6 PER 305 mm.

(X-X)
FOR DRAINAGE CALLOUTS SEE DWG NO. 116229-01-000

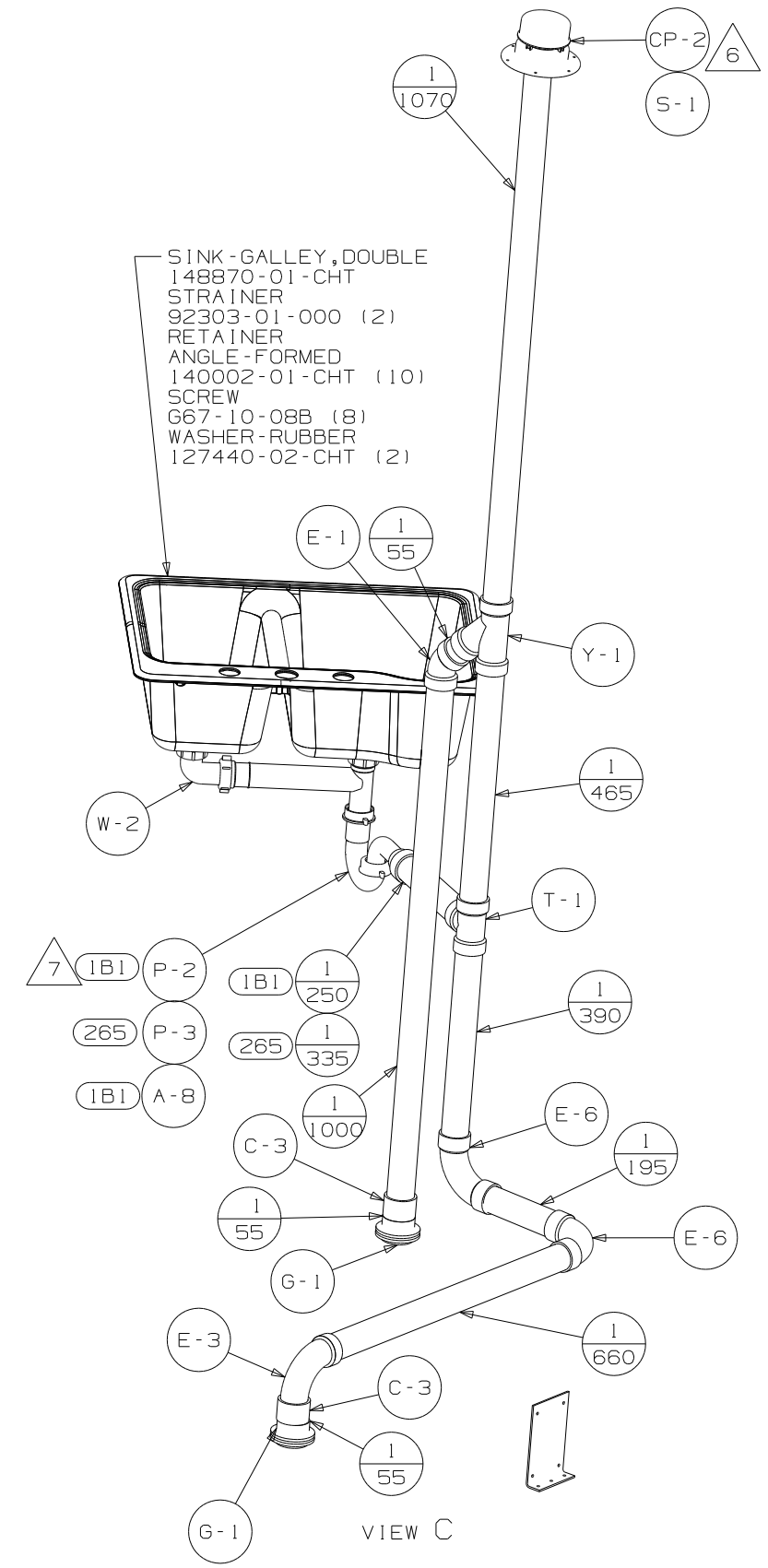
WINNEBAGO		COPYRIGHT 2004 WINNEBAGO INDUSTRIES, INC.	
DFT-016	ORIG. DATE	ALL DIMENSIONS ARE IN MILLIMETERS	
CHKR		MATERIAL: 04 P32T	
P.E.		UNSPECIFIED TOLERANCES ARE:	
M.E.	FIRST USED	WHOLE DIM (X) :	7
DSNR		ONE-PLACE (X.X) :	
		TWO-PLACE (X.XX) :	
		ANGLE :	
		THIRD ANGLE PROJECTION	
DO NOT SCALE DRAWING			
TITLE: DRAINAGE SYSTEM INSTL			
SHEET 1 OF 3	PART NO	146279	
REF:43501 J 3/31/2004			



VIEW A

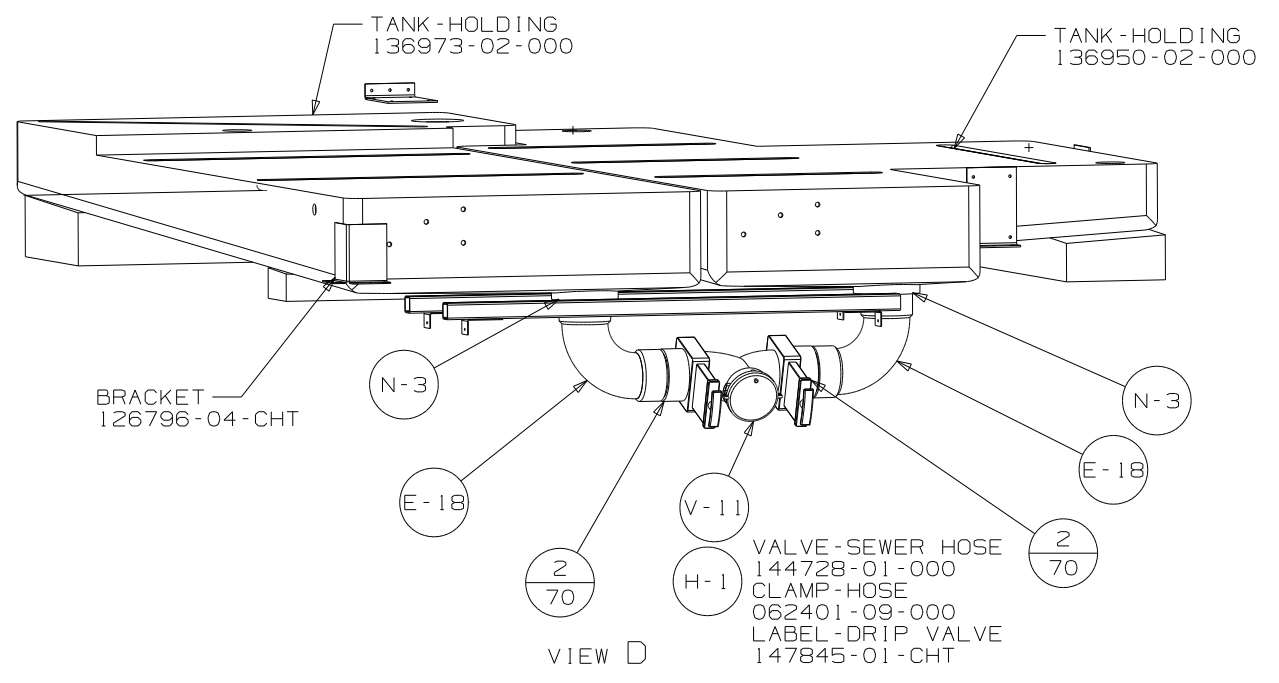
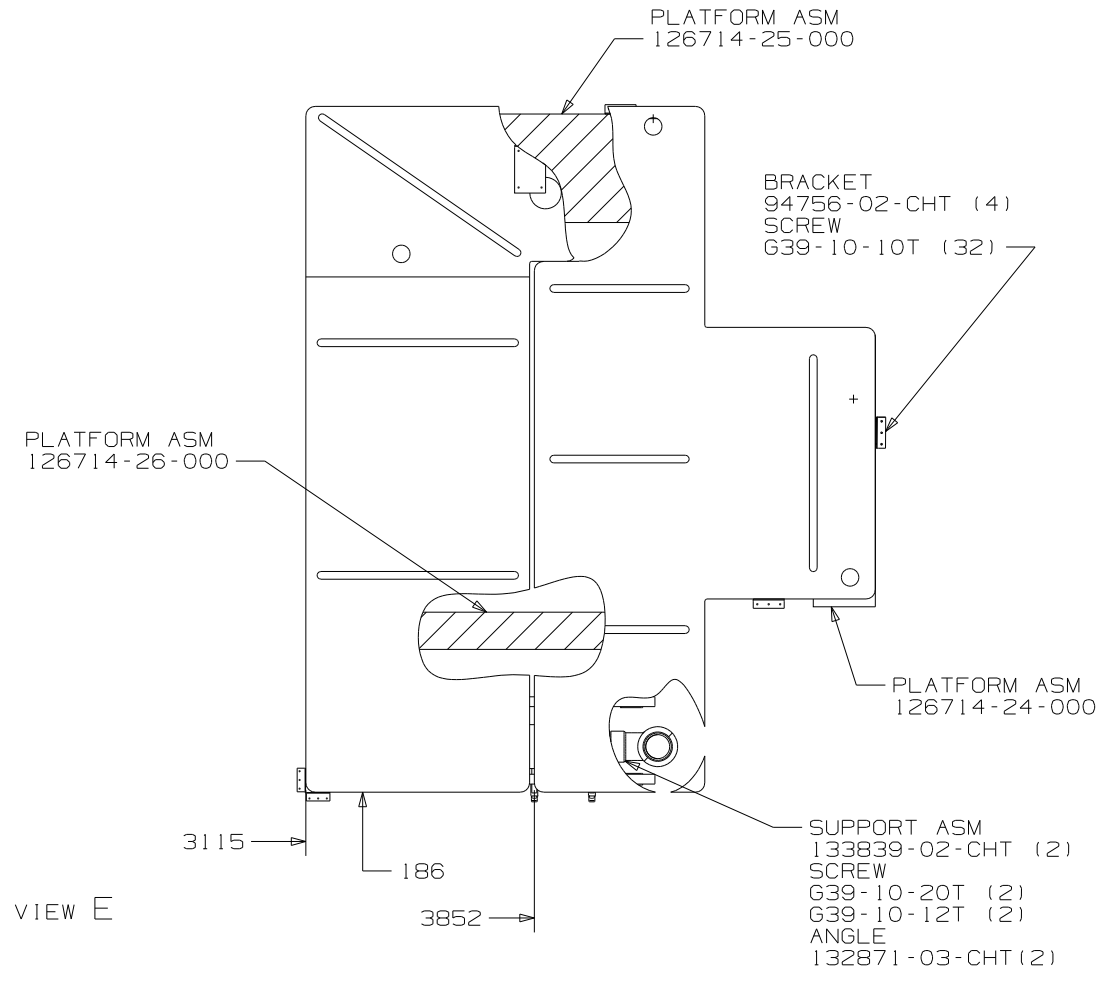
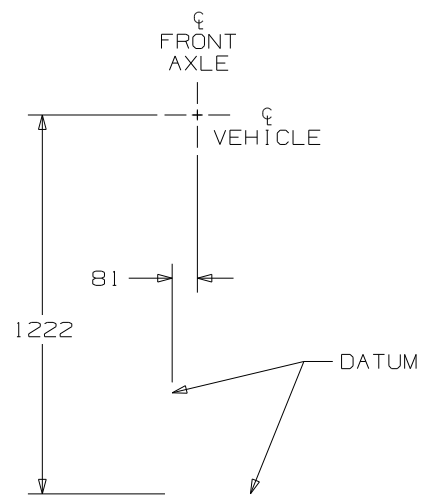


VIEW B (ITA)



VIEW C

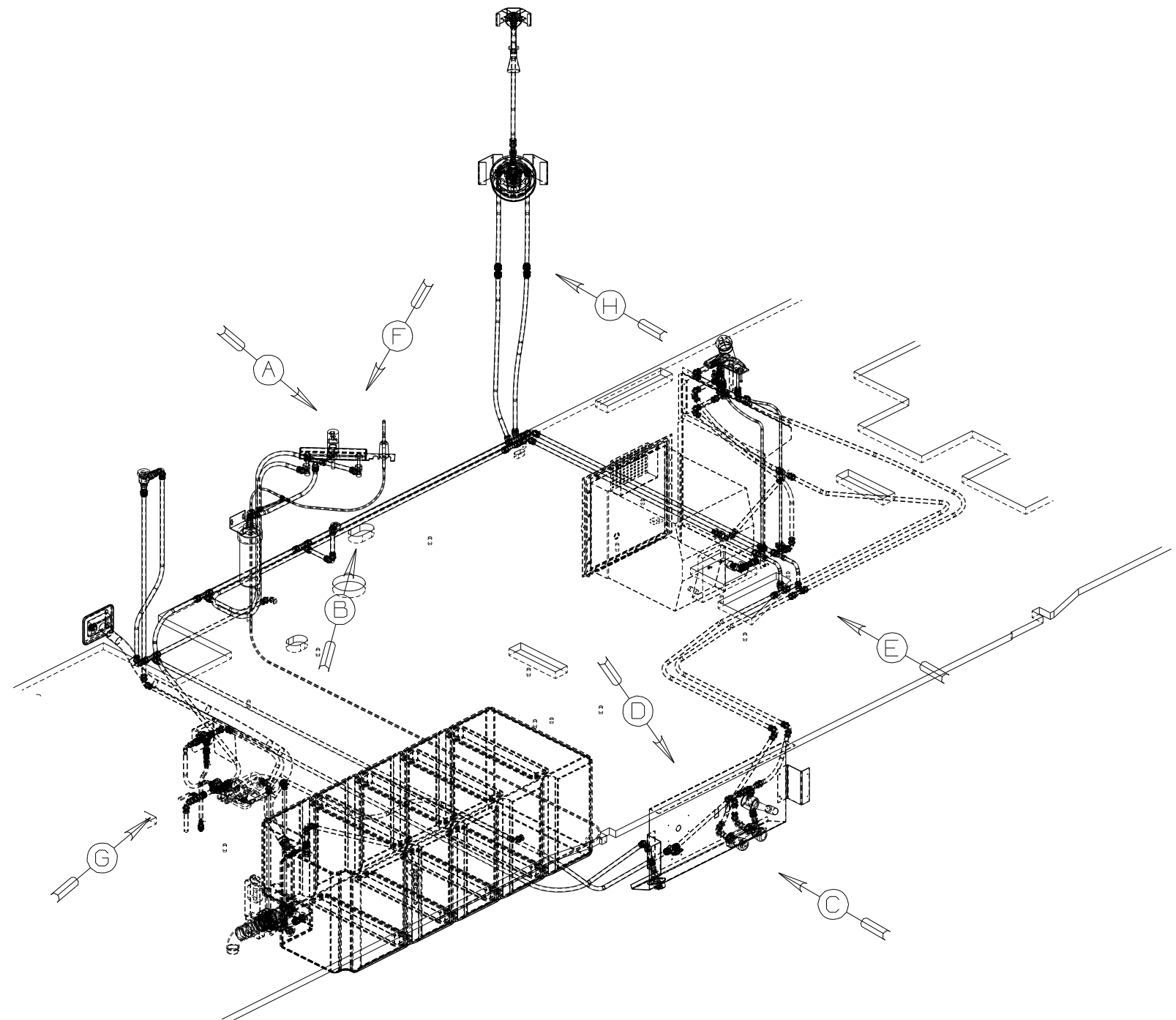
FIRST USED	04 P32T
TITLE	DO NOT SCALE DRAWING
	DRAINAGE SYSTEM INSTL
SHEET 2	PART NO 146279



FIRST USED	04 P32T
DO NOT SCALE DRAWING	
TITLE	DRAINAGE SYSTEM INSTL
SHEET 3	PART NO 146279

DWG NO	----
146278-01	(WIN)
146278-02	(ITA)

RELEASE	REV DATE	DWG NO
A		146278
REV ZONE	REVISION RECORD	DATE
		DFTR-0016

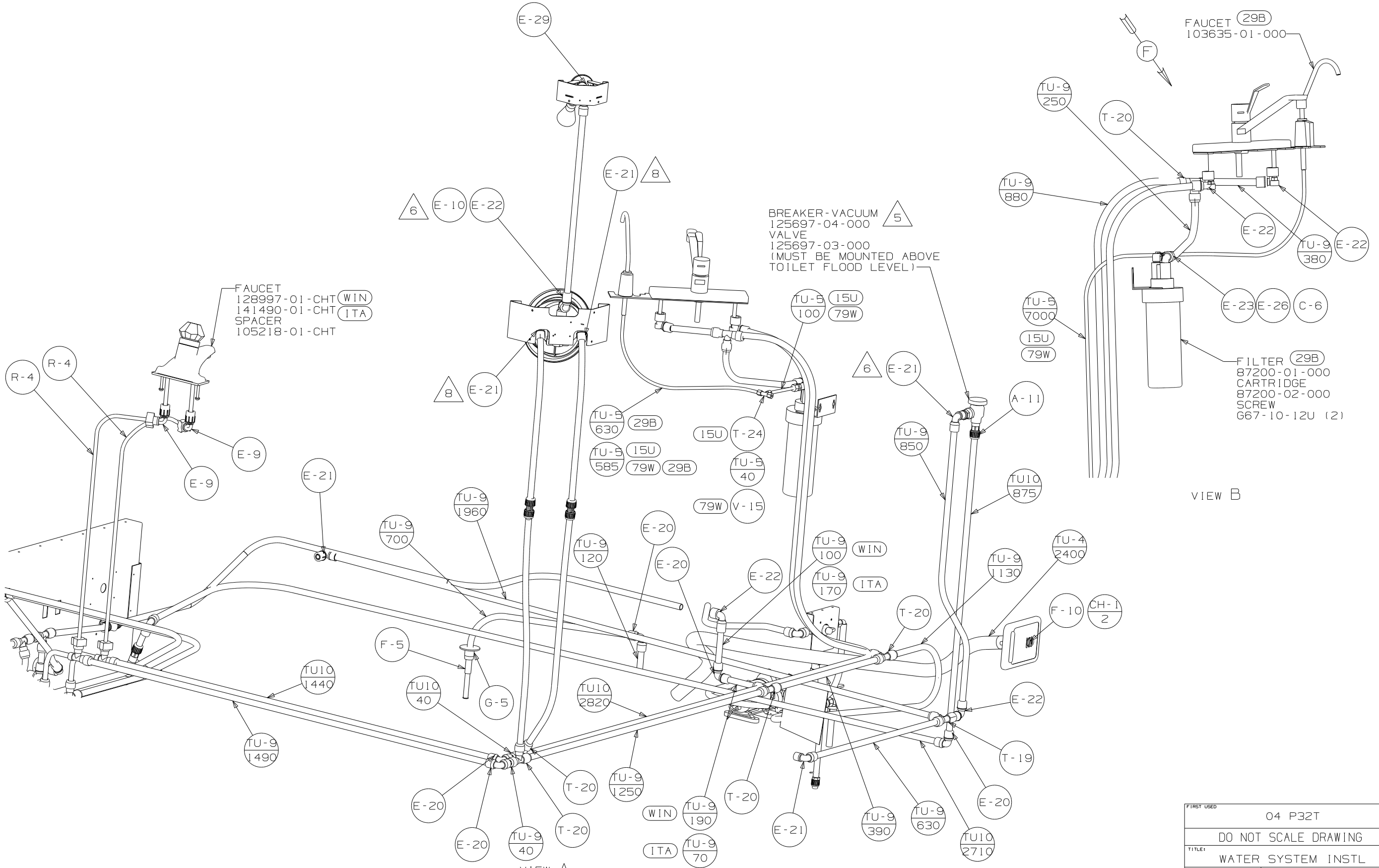


- (WIN) WINNEBAGO ONLY
- (ITA) ITASCA ONLY
- (43A) SHOWER HEAD-FIXED
- (43H) SHOWER HEAD-HAND HELD
- (15U) REFRIGERATOR/FRZR W/ICEMAKER
- (64R) EXTERIOR WASH STATION
- (9B1) SHOWER PACKAGE
- (29B) WATER PURIFIER
- (79W) REFRIGERATOR-4 DOOR
- (53E) WINTERIZATION PACKAGE
- (1B2) WATER HEATER-10 GAL W/120VAC/LPGAS/MTR AID

- 8. WRAP WITH TEFLON TAPE 10405-01-000 MINIMUM THREE WRAPS.
 - 7. WRAP WITH TEFLON TAPE 10405-03-000 TO FITTINGS.
 - 6. WRAP WITH TEFLON TAPE 10405-02-000 TO FITTINGS.
 - 5. FLUSHING SYSTEM REQUIRES 125697-06-000 INSTRUCTION SHEET.
 - 4. CLAMPS MUST BE ON BARBS.
3. ALL TUBING TO BE SECURED AT 1200 INTERVALS MAXIMUM WITH CLAMP 10495-01-000 OR CLIP 9151-01-000 AND SCREW G67-10-12B.
 2. TUBING TO BE INSTALLED WITH SUFFICIENT SLOPE TO PROVIDE DRAINAGE TO NEAREST VALVE.
 1. PLASTIC FITTINGS TO BE SEALED WITH SEALANT 84456-01-000.

NOTES:

WINNEBAGO		COPYRIGHT 2004 WINNEBAGO INDUSTRIES, INC.	
DFTR	ORIG. DATE		
CHKR	ALL DIMENSIONS ARE IN MILLIMETERS		
P.E.			
M.E.	FIRST USED		
DSNR	04 P32T		
UNSPECIFIED TOLERANCES ARE:		MATERIAL:	
WHOLE DIM (X)	: 7		
ONE-PLACE (X.X)	:		
TWO-PLACE (X.XX)	:		
ANGLE	:		
THIRD ANGLE PROJECTION			
DO NOT SCALE DRAWING			
TITLE: WATER SYSTEM INSTL			
SHEET 1 OF 5	PART NO	146278	



FAUCET
 128997-01-CHT (WIN)
 141490-01-CHT (ITA)
 SPACER
 105218-01-CHT

BREAKER-VACUUM
 125697-04-000
 VALVE
 125697-03-000
 (MUST BE MOUNTED ABOVE
 TOILET FLOOD LEVEL)

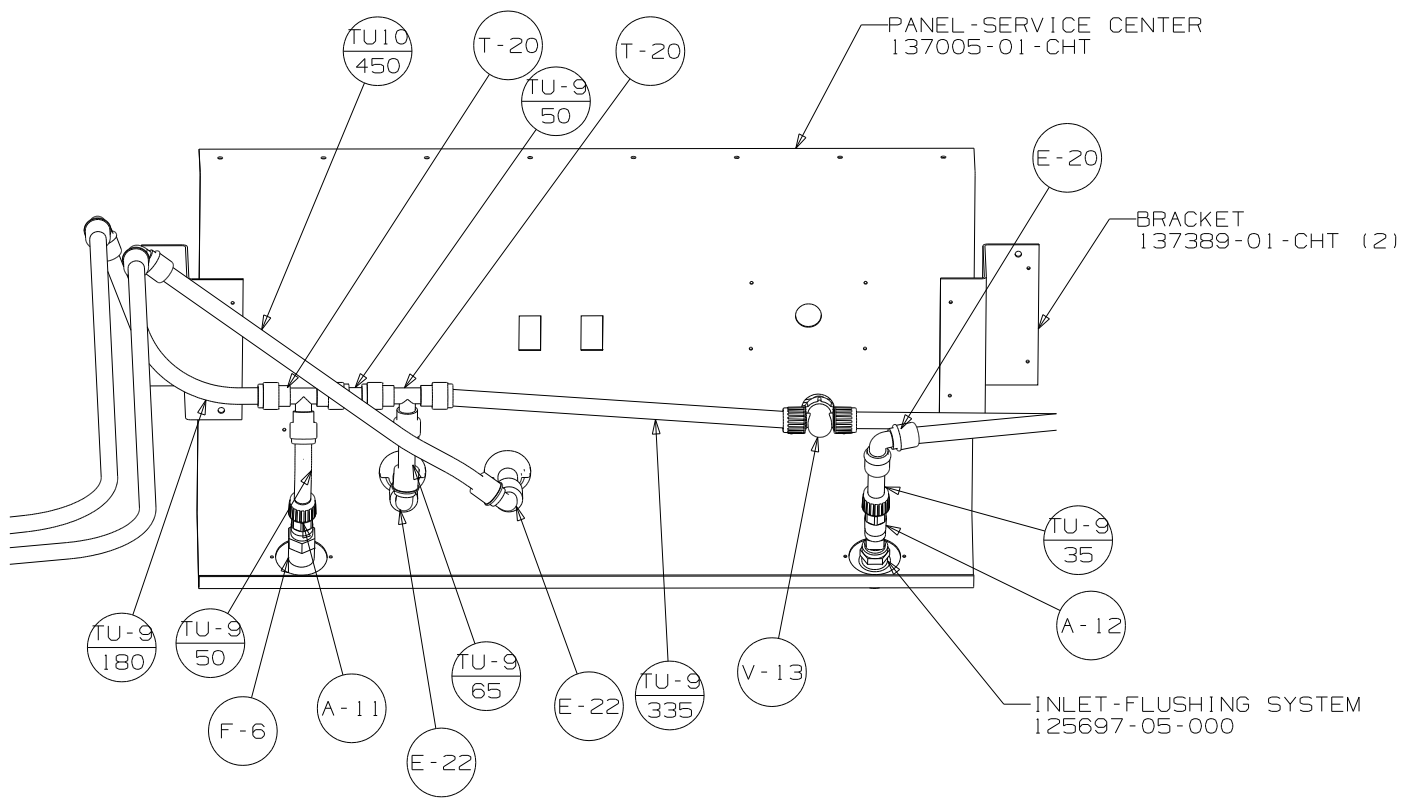
FAUCET (29B)
 103635-01-000

FILTER (29B)
 87200-01-000
 CARTRIDGE
 87200-02-000
 SCREW
 667-10-12U (2)

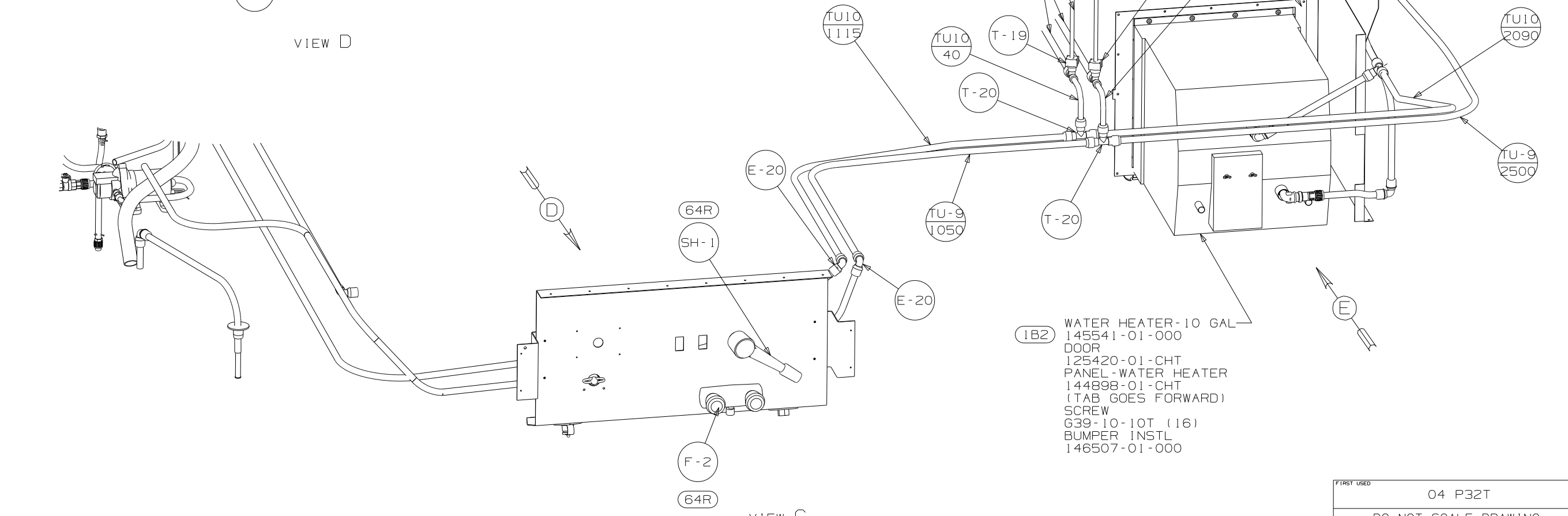
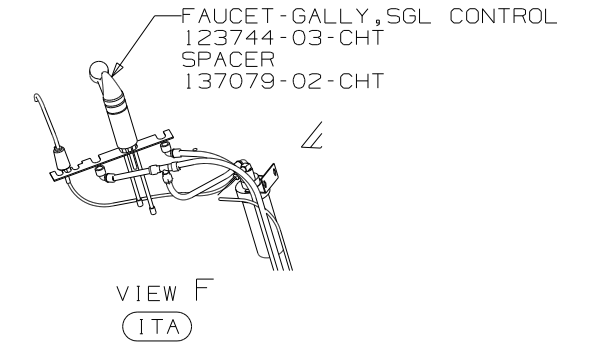
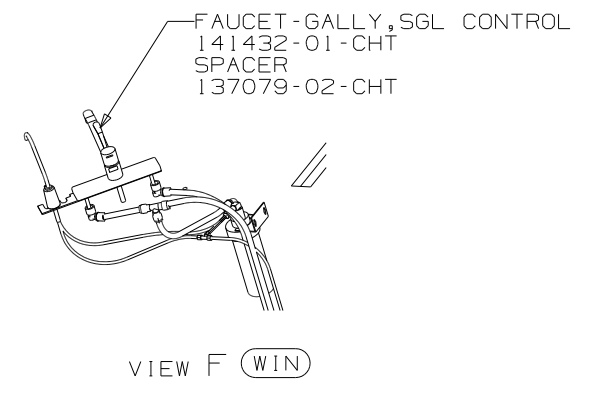
VIEW A

VIEW B

FIRST USED	04 P32T
TITLE	DO NOT SCALE DRAWING
TITLE	WATER SYSTEM INSTL
SHEET 2	PART NO 146278



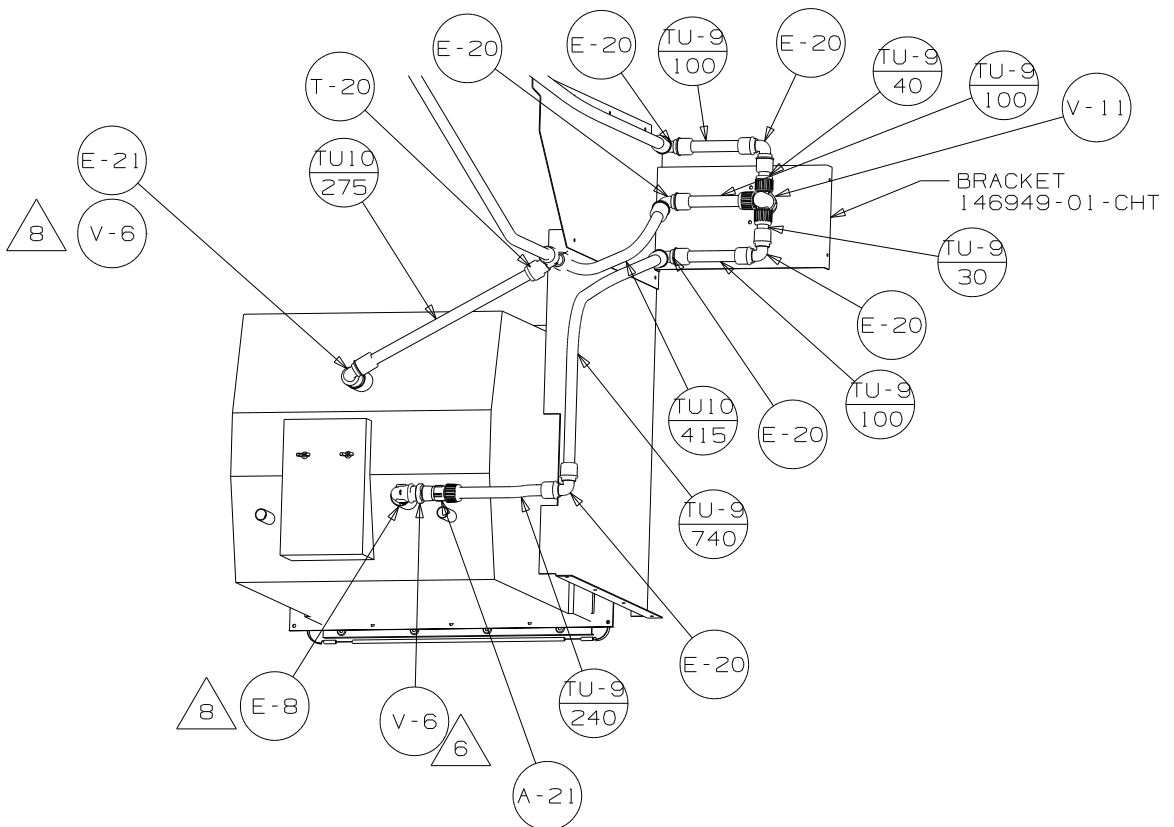
VIEW D



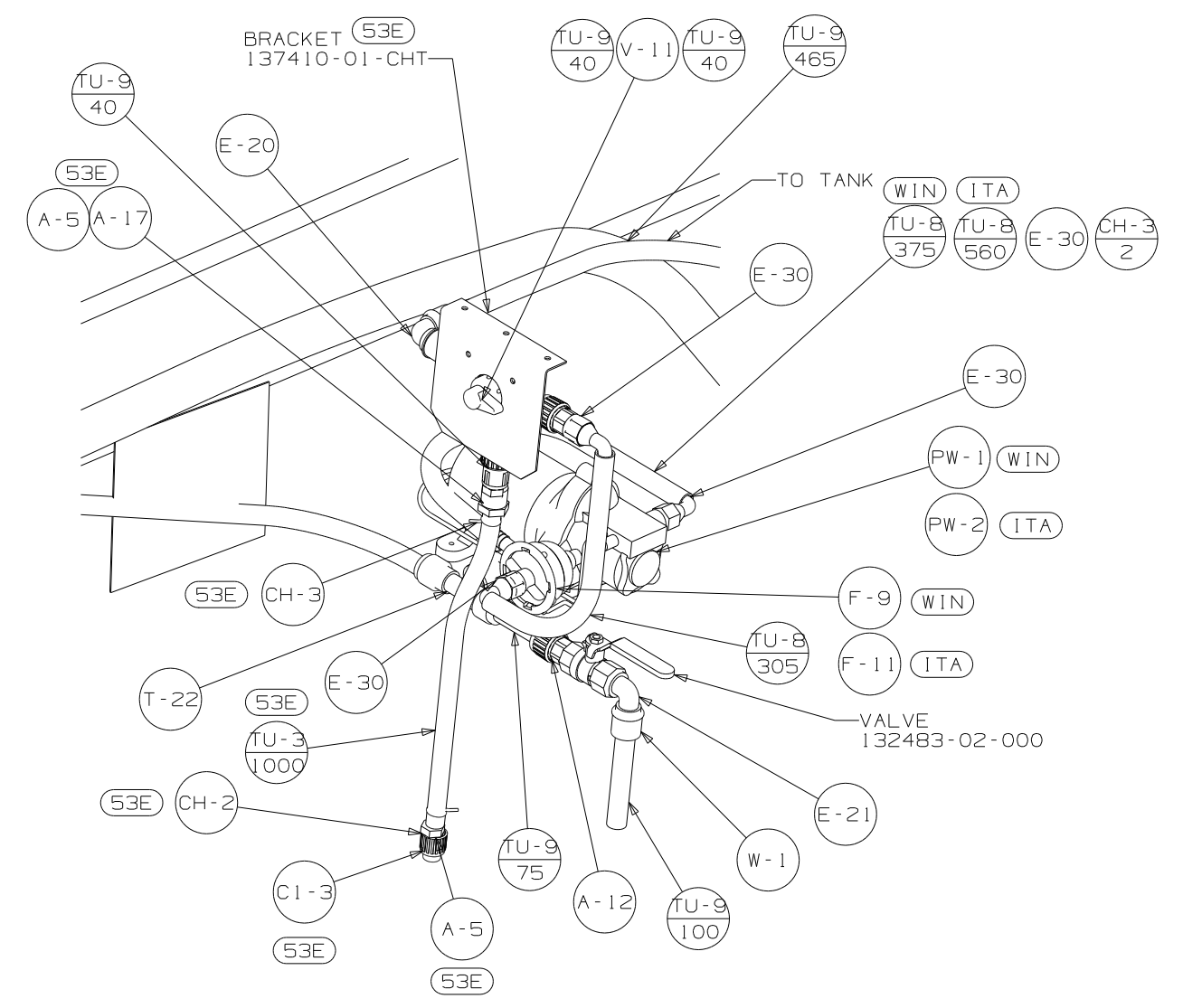
VIEW C

- (1B2) WATER HEATER-10 GAL
145541-01-000
- DOOR
125420-01-CHT
- PANEL-WATER HEATER
144898-01-CHT
(TAB GOES FORWARD)
- SCREW
G39-10-10T (16)
- BUMPER INSTL
146507-01-000

FIRST USED	04 P32T
TITLE	DO NOT SCALE DRAWING
SHEET 3	PART NO 146278
1 4/28/2004	



VIEW E (53E)



VIEW G

FIRST USED	04 P32T
TITLE	DO NOT SCALE DRAWING
	WATER SYSTEM INSTL
SHEET 4	PART NO 146278

BRACKET-SHOWER HEAD
131551-01-CHT

DROP ELL
135028-02-CHT
SPACER
130041-03-CHT

SHOWER HEAD
129390-03-CHT

TU10
545

FAUCET-TRIM KIT
144596-02-CHT
FAUCET-VALVE
144596-01-CHT

615

35

BRACKET-SHOWER CONTROL
131554-01-CHT

PLUG
145609-01-000

TU10
510

TU-9
510

A-10

A-10

TU10
745

TU-9
745

VIEW H
WIN 43H

BRACKET-SHOWER HEAD
131551-01-CHT

VALVE-SHOWER HEAD
128974-01-CHT

TU10
545

PLUG
145609-01-000

FAUCET-TRIM KIT W/SHWR
144596-03-CHT

FAUCET-VALVE
144596-01-CHT

BRACKET-SHOWER CONTROL
131554-01-CHT

TU10
510

TU-9
510

A-10

A-10

TU10
745

TU-9
745

VIEW H
WIN 43A

DROP ELL
135028-02-CHT
SPACER
130041-03-CHT

SHOWER HEAD
129390-03-CHT

TU10
785

660

BRACKET-SHOWER HEAD
143101-01-CHT

FAUCET-VALVE
144596-01-CHT

230

FAUCET-TRIM KIT
144596-02-CHT

396

PLUG
145609-01-000

TU10
850

TU-9
850

VIEW H
ITA 43H

BRACKET-SHOWER HEAD
143101-01-CHT

VALVE-SHOWER HEAD
128974-01-CHT

TU10
785

FAUCET-VALVE
144596-01-CHT
PLUG
145609-01-000

FAUCET-TRIM KIT W/SHWR
144596-03-CHT

TU10
850

TU-9
850

VIEW H
ITA 43A

FIRST USED	04 P32T
TITLE	DO NOT SCALE DRAWING
TITLE	WATER SYSTEM INSTL
SHEET 5	PART NO 146278