

- (WIN) WINNEBAGO ONLY
- (ITA) ITASCA ONLY
- (IB1) CODES/STANDARDS-USA
- (265) CODES/STDS-CSA/CMVSS
- (21M) WASHER/DRYER PREP
- (54E) WASHER/DRYER
- (43Q) TOILET PORCELAIN
- (43M) TOILET PORCELAIN-ELONGATE
- (215) DISHWASHER WITHOUT
- (21N) DISHWASHER/BUILT-IN

- NOTES:
- 10 VALVE TERMINATION TEE TO BE POSITIONED AT 10° DOWN AND OUTBOARD.
 - 9 POSITION AS SHOWN WITH SLIDEOUT IN FULLY EXTENDED POSITION.
 - 8. SECURE PIPES TO CABINET USING WIRE TIE 10846-02-000 AND SCREW G67-10-12U (A/R).
 - 7 SECURE VENT TUBES TO FLOOR WITH BRACKET 136878-01-CHT (4) CLAMP 62401-02-000, SCREW G67-10-12B (4).
 - 6 VENT PIPE MUST PROJECT 51 MIN AND 64 MAX ABOVE ROOF FOR PROPER FIT AND FUNCTION.
 - 5. SEAL AROUND SHOWER WITH SILICONE.
 - 4. ALL EXTERIOR OPENINGS AROUND PIPE TO BE SEALED WITH 100744-01-000.
 - 3. ALL PIPE AND FITTINGS TO BE ASSEMBLED WITH SOLVENT 4020-01-000.
 - 2. SLOPE OF TRAP ARM MUST BE 6 PER 305 mm.
 - 1. SLOPE OF HORIZONTAL PIPING TO BE MIN 3 PER 305 mm.

FOR DRAINAGE CALLOUTS SEE DWG NO 116229-01-000

WINNEBAGO		COPYRIGHT 2003 WINNEBAGO INDUSTRIES, INC.	
DFT	ORIG. DATE	ALL DIMENSIONS ARE IN MILLIMETERS	
CHKR		M.E. A. GEISSLER	
P.E.		FIRST USED	
DSNR		04 L39T	
UNSPECIFIED TOLERANCES ARE:		MATERIAL:	
WHOLE DIM (X)	: 3		
ONE-PLACE (X.X)	:		
TWO-PLACE (X.XX)	:		
ANGLE	:		
THIRD ANGLE PROJECTION			
DO NOT SCALE DRAWING			
TITLE: DRAINAGE SYSTEM INSTL			
SHEET 1 OF 4	PART NO	146777	

SINK - GALLEY, DBL
134851-02-CHT
STRAINER-SINK
92303-01-000 (2)
ANGLE
140002-01-CHT (10)

SHOWER INSTL-ENCLOSURE
131620-11-XXX
DRAIN
66440-01-000
NUT-SLIP
130403-01-000
TAILPIECE
11069-06-000
WASHER
127440-02-CHT
SEALER
69640-01-000

(1B1) A-8
(265) P-3
(1B1) P-2

(1B1) P-2
(265) P-3
(1B1) A-8

(1B1) 1/150
(265) 1/250
C-3
G-1

1/315

1/1040

1/945

215
W-2

CP-2
S-1

E-16
P-6

E-1
E-16
P-6

1/290

T-1

1/175 (265)
1/510
1/75 (1B1)

C-3
7

1/55

1/55

VIEW A

COUPLING-REDUCING
139571-01-000
CLAMP
62401-01-000 (2)

HOSE
(SUPPLIED WITH DISHWASHER)

HOSE-DISHWASHER
139567-01-000
(3960)
CLAMP
62401-01-000

VIEW B (2IN)

WASTE-CONT (2IN)
11091-04-000

FIRST USED	04 L39T
TITLE	DO NOT SCALE DRAWING DRAINAGE SYSTEM INSTL
SHEET 2	PART NO 146777

SINK-LAVATORY
143310-01-CHT
POP-UP ASM
110760-04-000 (WIN)
SUPPLIED WITH FAUCET (ITA)
ANGLE
96826-01-CHT (8)
WASHER-FOAM
142930-01-000 (ITA)

CP-2 6
S-1

P-2 1B1
P-3 265
A-8 1B1

1
2210

11
30
C-3
1
55

TOILET (WIN)
136729-01-CHT
TOILET-AURORA CHINA (ITA)
132389-01-CHT

(WIN) SPACER
131786-03-CHT
(ITA) 131786-05-CHT

F-7

2 (WIN)
75 43M
2 (ITA)
90 43Q

VIEW E

1B1 1/100
265 1/310
VM-1

T-1

1
365

1
535

1
175

E-6

T-4

1
1690

E-1

G-1

STRAP-CONDUIT, 2"
8406-01-000 (3)

PIPE-STAND (21M)
130234-01-000
(320)

P-2 1B1
P-3 265
A-8 1B1

VIEW D

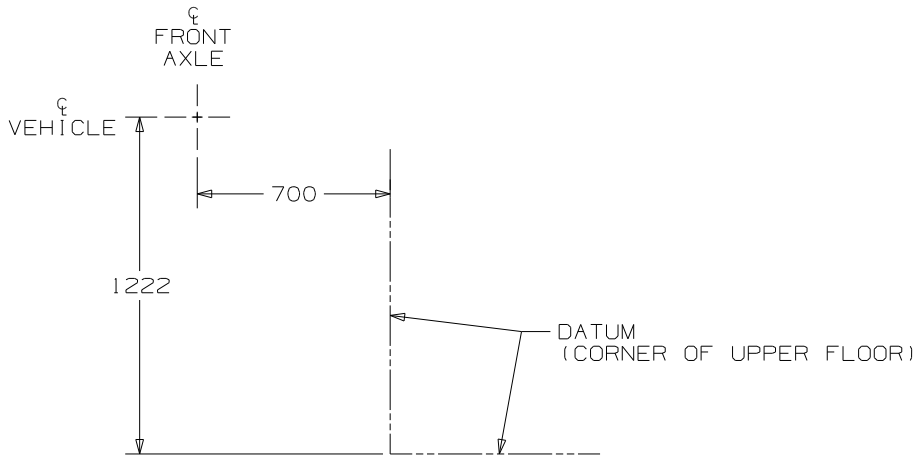
1/40 1B1
1/140 265
VM-1

T-1

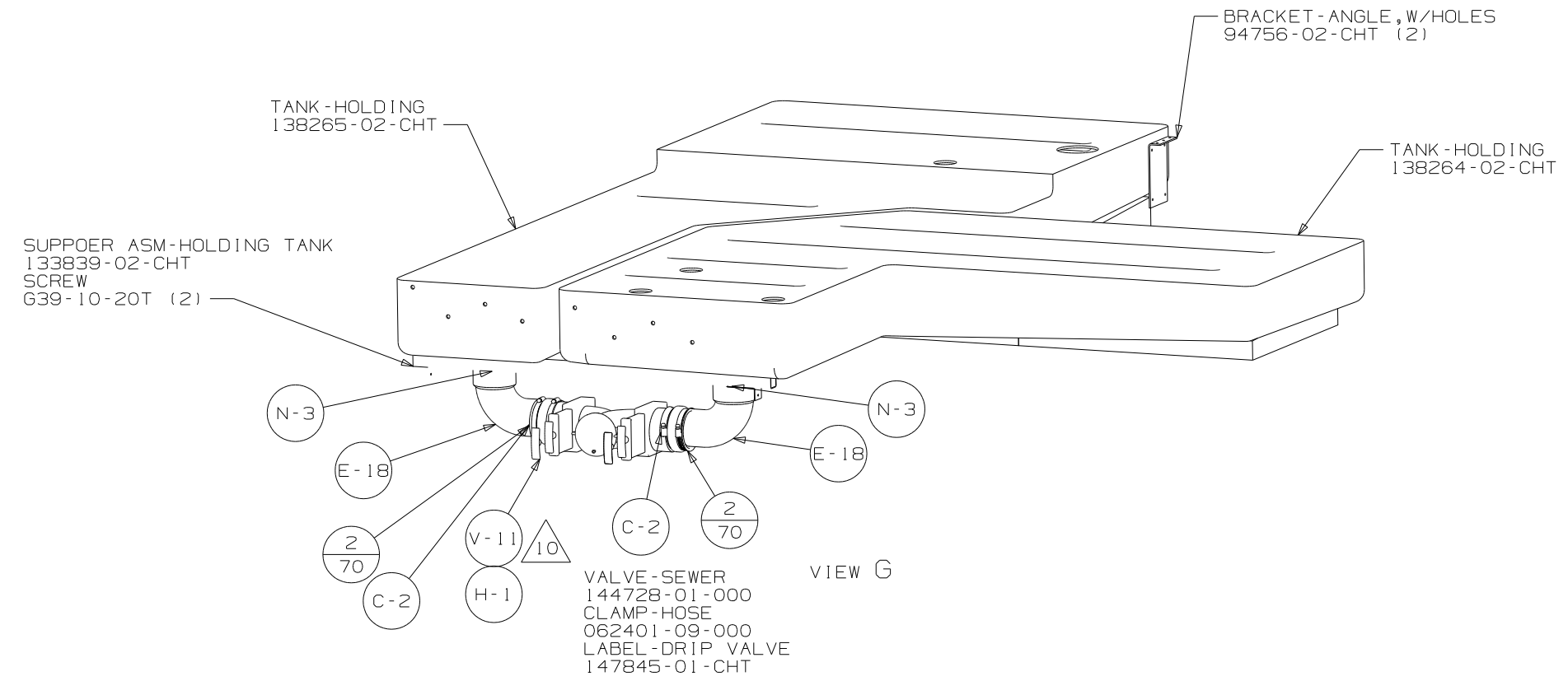
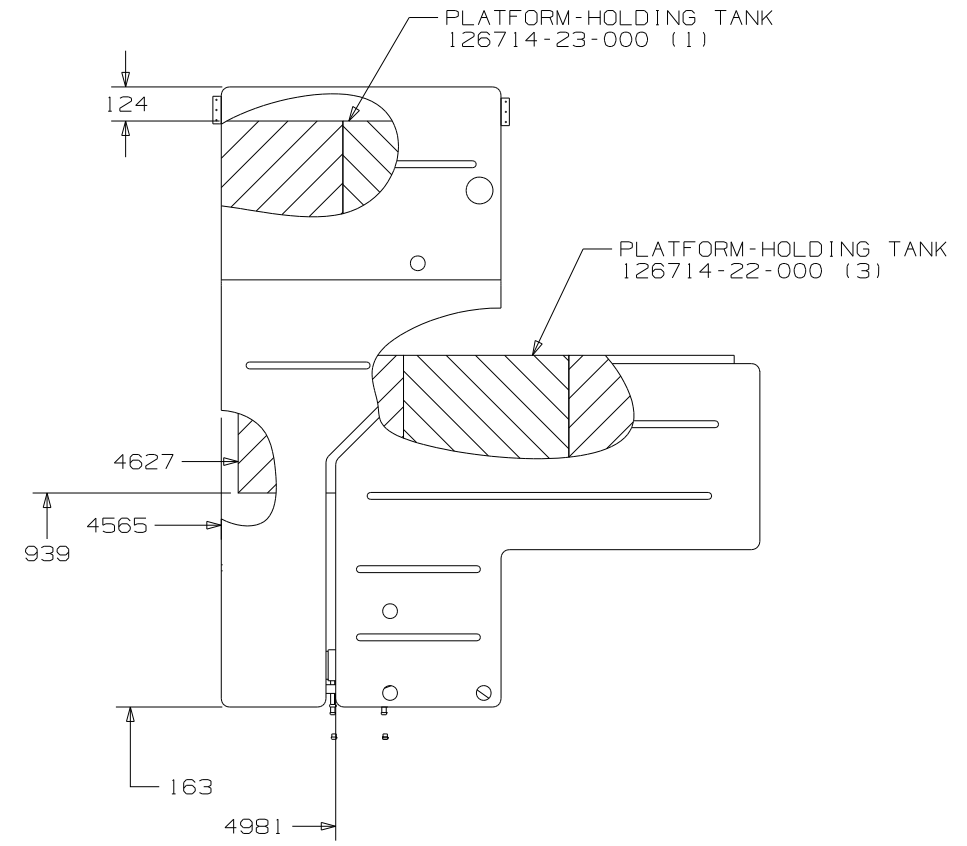
1
1525

E-3

FIRST USED	04 L39T
DO NOT SCALE DRAWING	
TITLE	DRAINAGE SYSTEM INSTL
SHEET 3	PART NO 146777

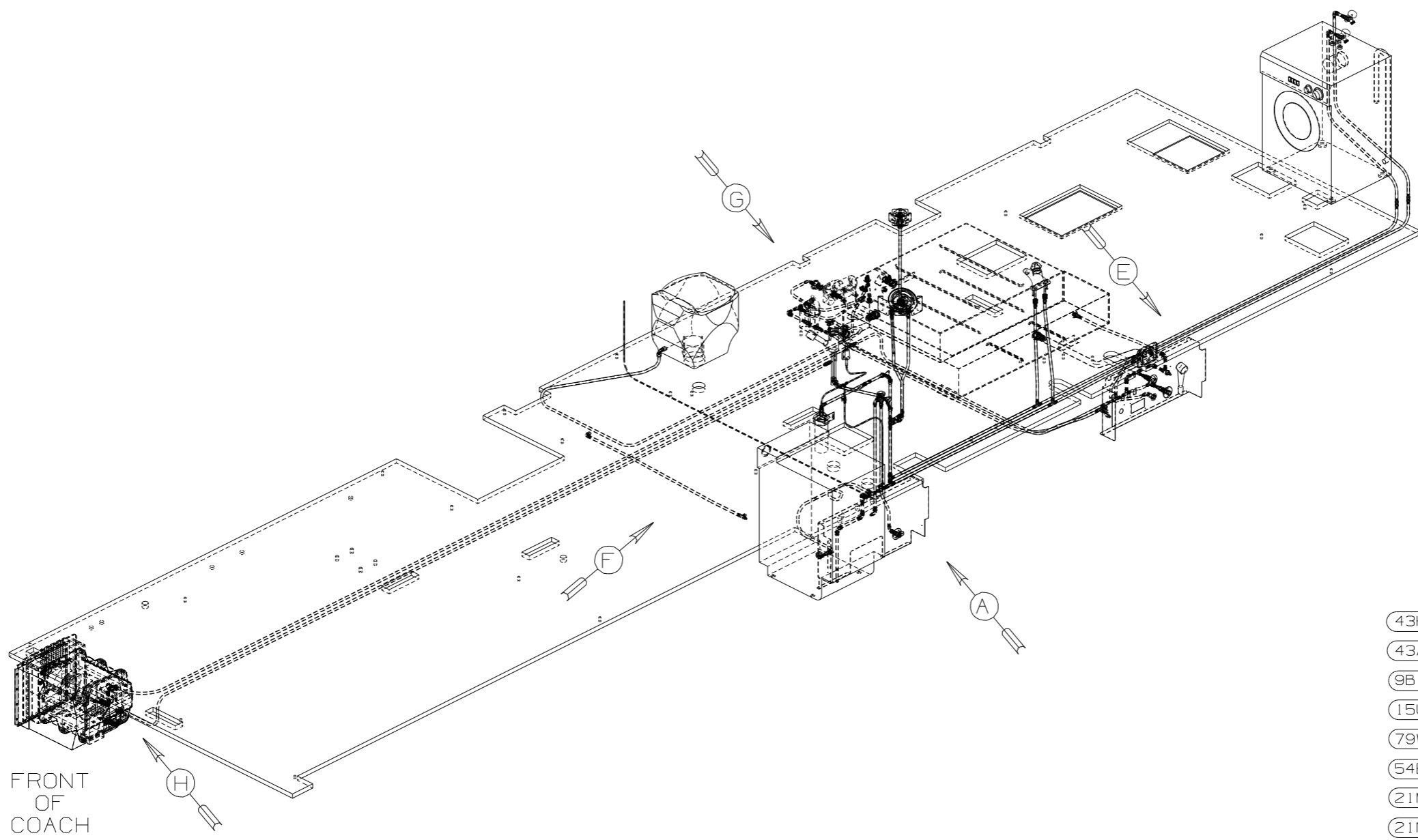


VIEW F



VIEW G

FIRST USED	04 L39T
DO NOT SCALE DRAWING	
TITLE	DRAINAGE SYSTEM INSTL
SHEET 4	PART NO 146777



- (43H) SHOWER HEAD-HAND HELD
- (43A) SHOWER HEAD-FIXED
- (9B1) SHOWER PACKAGE
- (15U) REFRIGERTATOR/FRZR W/ICEMAKER
- (79W) REFRIGERATOR-4 DR
- (54E) WASHER/DRYER
- (21M) WASHER/DRYER PREP
- (21N) DISHWASHER/BUILT IN
- (215) DISHWASHER WITHOUT
- (53E) WATER SYS WINTERIZATION PKG

FRONT
OF
COACH

- NOTES:
- 7 ADD TEFLON TAPE 10405-03-000.
 - 6 ADD TEFLON TAPE 10405-02-000.
 - 5 ADD TEFLON TAPE 10405-01-000.
 - 4 FLUSHING SYSTEM REQUIRES 125697-06-000 INSTRUCTION SHEET.
3. ALL TUBING TO BE SECURED AT 1200 INTERVALS MAXIMUM WITH CLAMP 10495-01-000 OR CLIP 9151-01-000 AND SCREW G67-10-12B.
 2. TUBING TO BE INSTALLED WITH SUFFICIENT SLOPE TO PROVIDE DRAINAGE TO NEAREST VALVE.
 1. PLASTIC FITTINGS TO BE SEALED WITH SEALANT 84456-01-000.

WINNEBAGO		COPYRIGHT 2004 WINNEBAGO INDUSTRIES, INC.	
DFTR	ORIG. DATE	ALL DIMENSIONS ARE IN MILLIMETERS	
CHKR		FIRST USED	
P.E.		04 L39T	
M.E.		UNSPECIFIED TOLERANCES ARE:	
DSNR		MATERIAL:	
		WHOLE DIM (X) :	3
		ONE-PLACE (X.X) :	
		TWO-PLACE (X.XX) :	
		ANGLE :	
		THIRD ANGLE PROJECTION	
DO NOT SCALE DRAWING			
TITLE: WATER SYSTEM INSTL			
SHEET 1 OF 5		PART NO 146779	

(X-X)
FOR
WATER
CALLOUTS
SEE DWG NO
116230-01-000

8

7

6

5

4

3

2

1

D

D

C

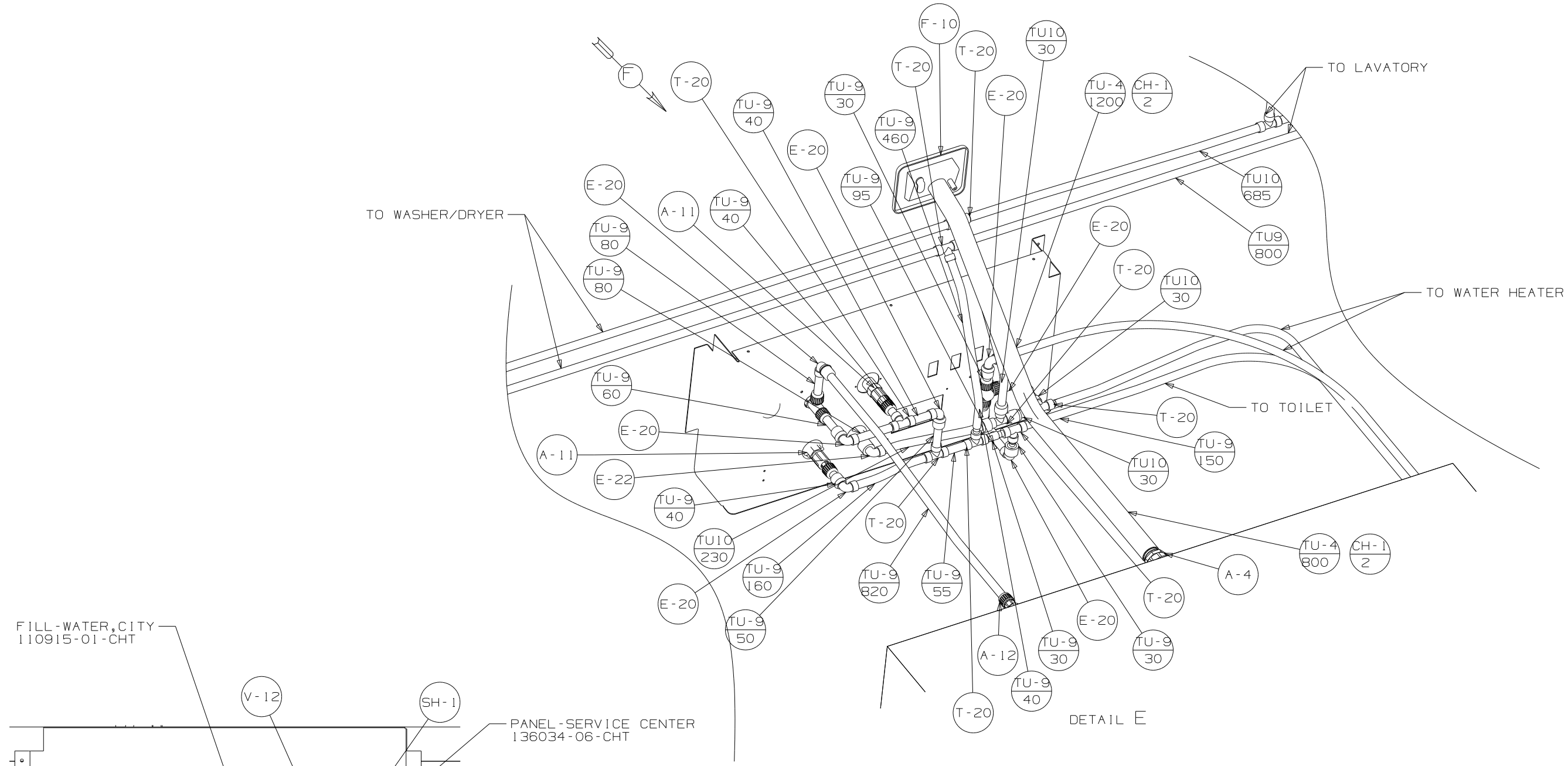
C

B

B

A

A



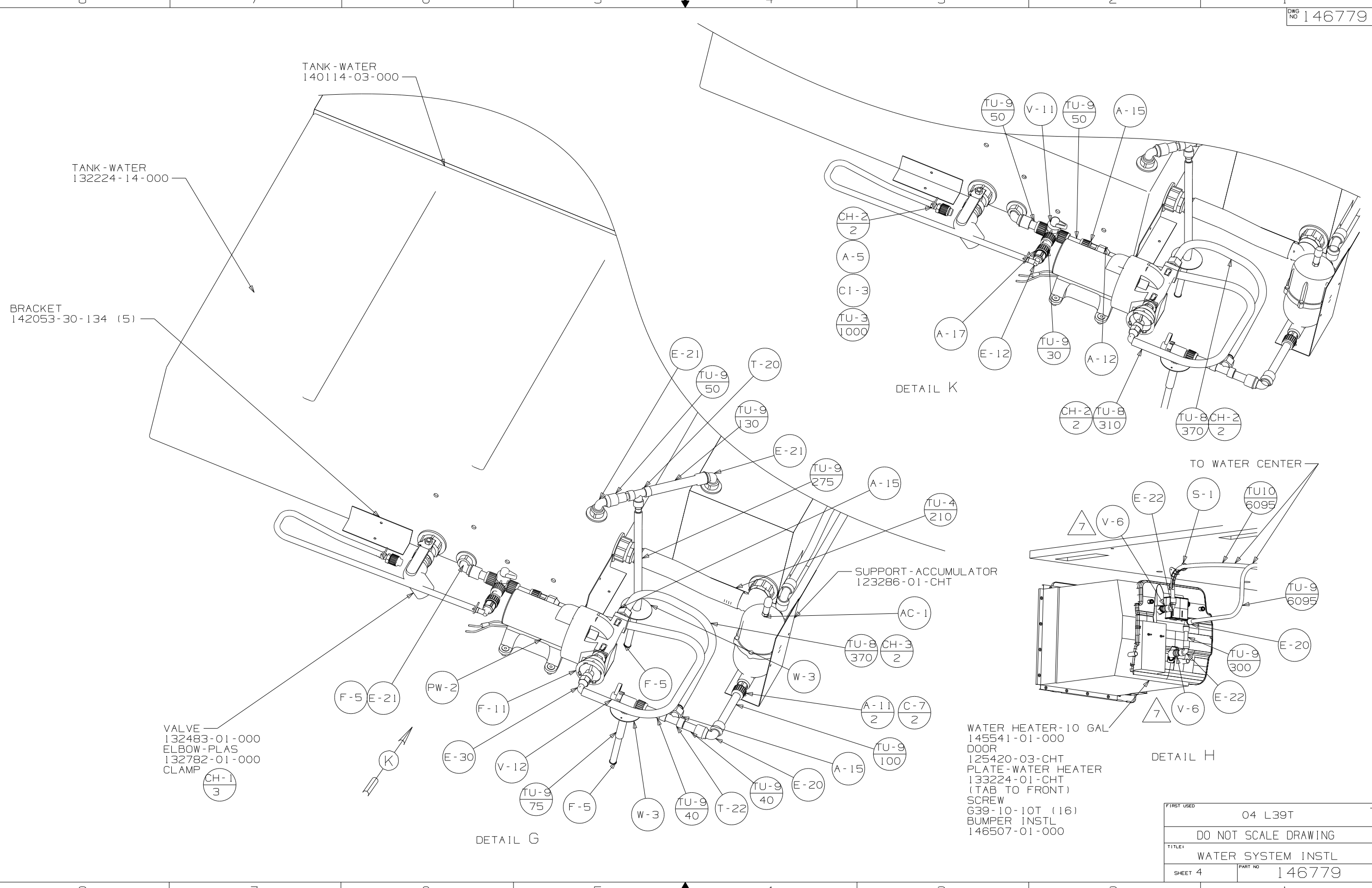
FILL-WATER, CITY
110915-01-CHT

PANEL-SERVICE CENTER
136034-06-CHT

DETAIL E

DETAIL F

FIRST USED	04 L39T
TITLE	DO NOT SCALE DRAWING
SHEET 3	PART NO 146779

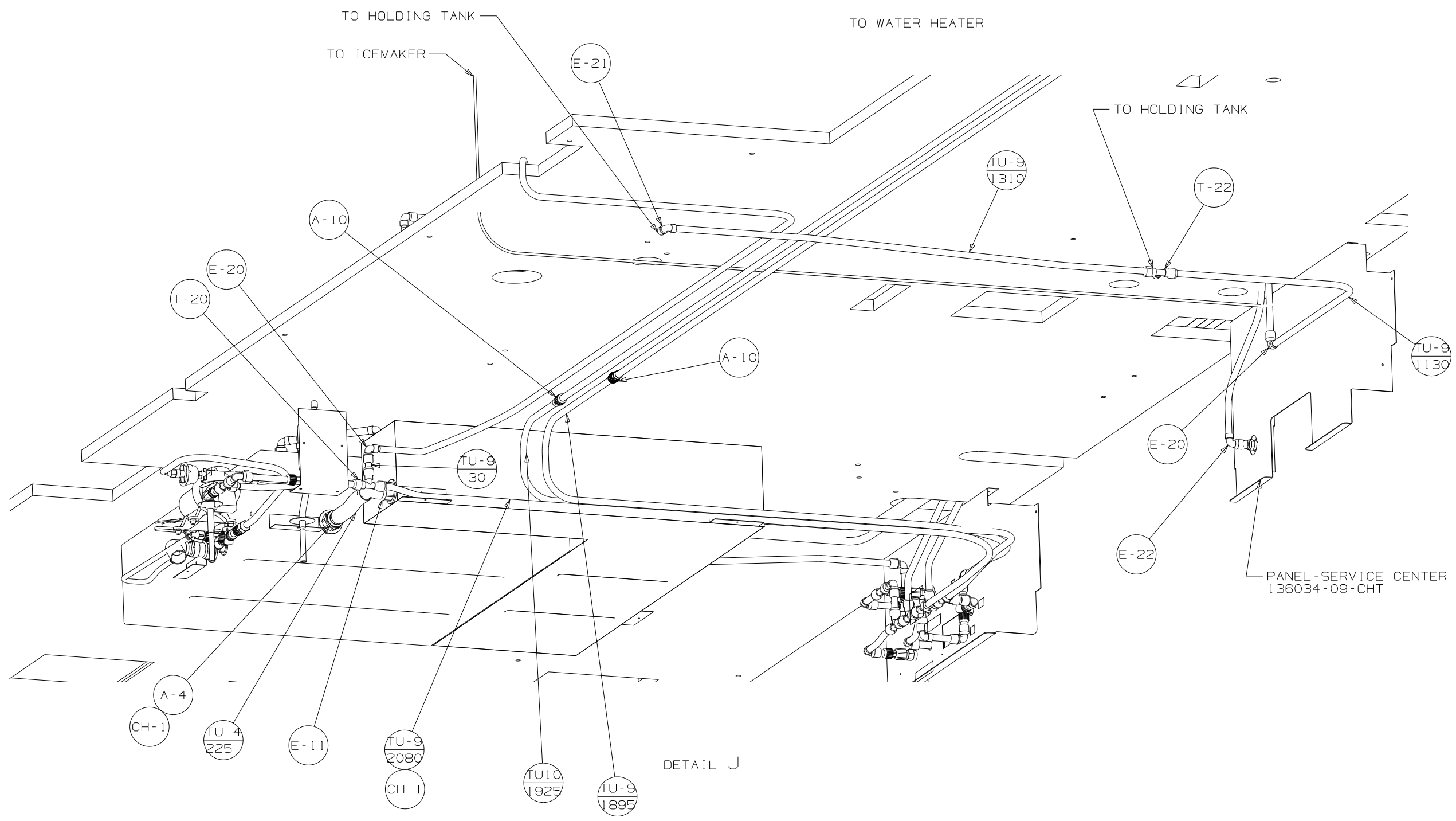


WATER HEATER-10 GAL
 145541-01-000
 DOOR
 125420-03-CHT
 PLATE-WATER HEATER
 133224-01-CHT
 (TAB TO FRONT)
 SCREW
 G39-10-10T (16)
 BUMPER INSTL
 146507-01-000

FIRST USED	04 L39T
DO NOT SCALE DRAWING	
TITLE:	WATER SYSTEM INSTL
SHEET 4	PART NO 146779

8 7 6 5 4 3 2 1

D
C
B
A



DETAIL J

FIRST USED	04 L39T
DO NOT SCALE DRAWING	
TITLE	WATER SYSTEM INSTL
SHEET 5	PART NO 146779

8 7 6 5 4 3 2 1 1 3/4/2004