



**DANGER**

**Danger of electrical shock, burns or death.** Always remove all power sources before attempting any repair, service or diagnostic work. Power can be present from shore power, generator, inverter or battery. All power sources must be disabled and secured before performing any service.



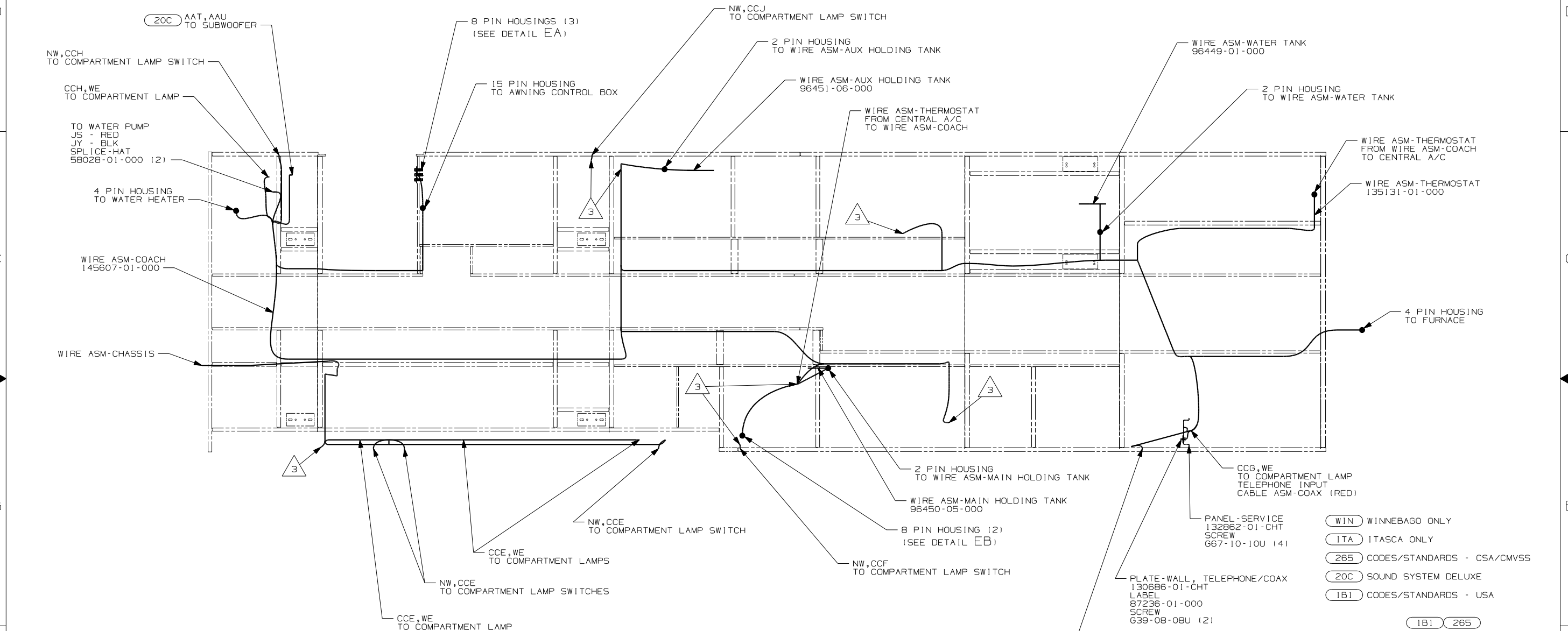
**CAUTION**

If you lack the skills, tools or equipment to perform diagnostic or repair work leave such work to an authorized Winnebago Industries dealer or other qualified shop.

8	
7	
6	
5	
4	
3	
2	
1	

DRAWING NO.	FEATURE
145415-01	(WIN)
145415-02	(ITA)

RELEASE	REV/DATE	DWG NO
	A	145415
REV ZONE	REVISION RECORD	DATE
		DTR-016



- (WIN) WINNEBAGO ONLY
- (ITA) ITASCA ONLY
- (265) CODES/STANDARDS - CSA/CMVSS
- (20C) SOUND SYSTEM DELUXE
- (1B1) CODES/STANDARDS - USA

- 5 FOR ADDITIONAL INFORMATION SEE CENTRAL A/C INSTALLATION.
- 4 CONNECT TELEPHONE WIRE TO MATCHING COLORS ON PLATE-WALL, TELEPHONE.
- 3 WIRE PASSES THROUGH FLOOR AT THIS POINT.
2. SEE WIRING DIAGRAM-BODY,12V FOR ADDITIONAL INFORMATION.
1. ALL WIRE TO BE CLAMPED WITH CLAMP 10495-01-000 OR WIRE TIE 8343-02-000 EVERY 600MM, UNLESS OTHERWISE SPECIFIED.

NOTES:

FOR ELECTRICAL TORQUE SPECIFICATIONS SEE DWG NO. 128783-01-000

FOR ELECTRICAL CALLOUTS SEE DWG NO. 121339-01-000

(1B1) (265)

**WINNEBAGO** COPYRIGHT 2004 WINNEBAGO INDUSTRIES, INC.

DTR	ORIG. DATE
CHKR	ALL DIMENSIONS ARE IN MILLIMETERS
P.E.	
M.E.	FIRST USED
DSNR	04 G38G

UNSPECIFIED TOLERANCES ARE: MATERIAL:

WHOLE DIM (X) :  
ONE-PLACE (X.X) :  
TWO-PLACE (X.XX) :  
ANGLE :

THIRD ANGLE PROJECTION

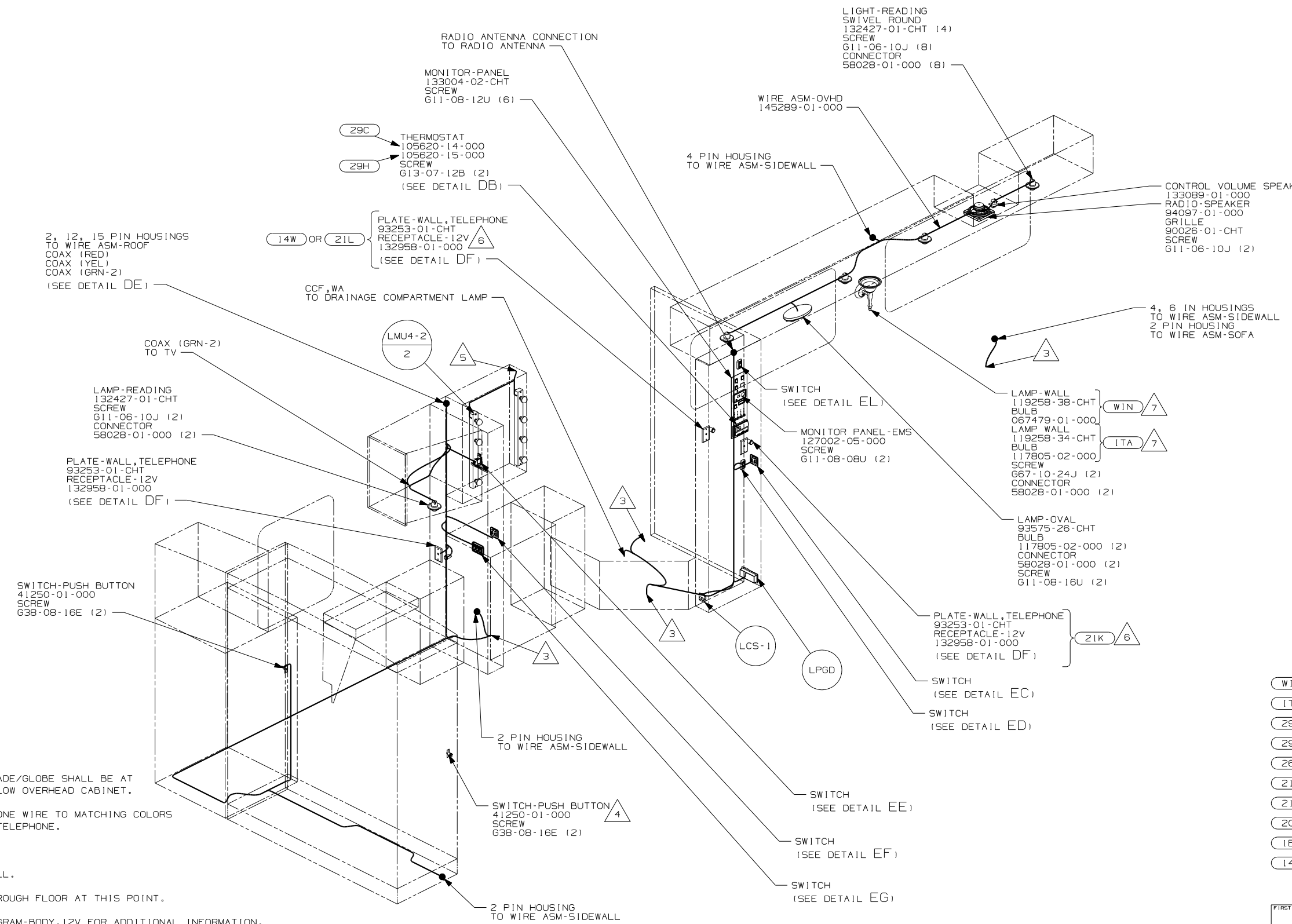
DO NOT SCALE DRAWING

TITLE: WIRING INSTL-BODY, 12V

SHEET 1 OF 7 PART NO 145415

REF:141024 1 1/7/2004

8	7	6	5	4	3	2	1
---	---	---	---	---	---	---	---



- NOTES:
1. ALL WIRES TO BE CLAMPED WITH CLAMP 10495-01-000 OR WIRE TIE 8343-02-000 EVERY 600MM, UNLESS OTHERWISE SPECIFIED.
  2. SEE WIRING DIAGRAM-BODY, 12V FOR ADDITIONAL INFORMATION.

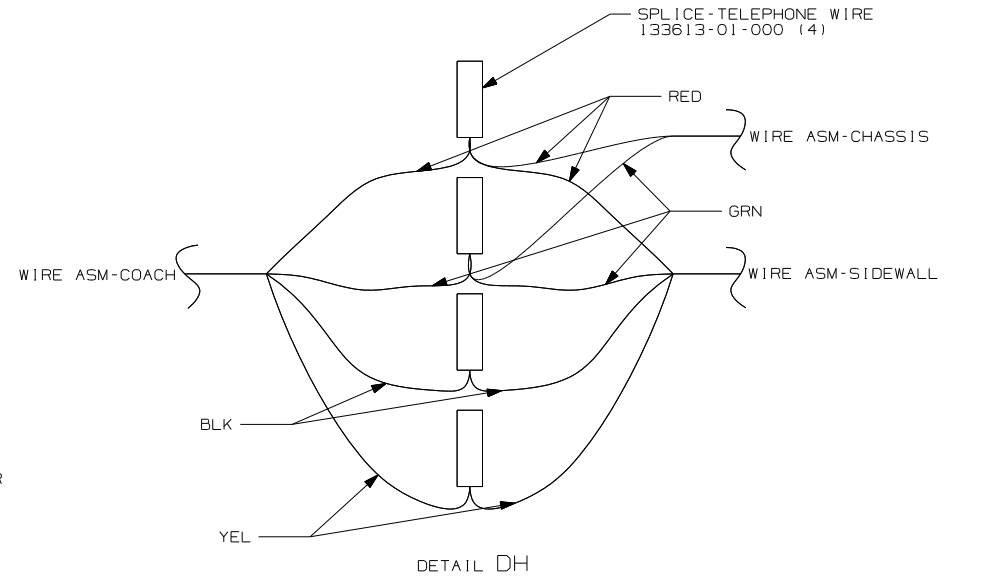
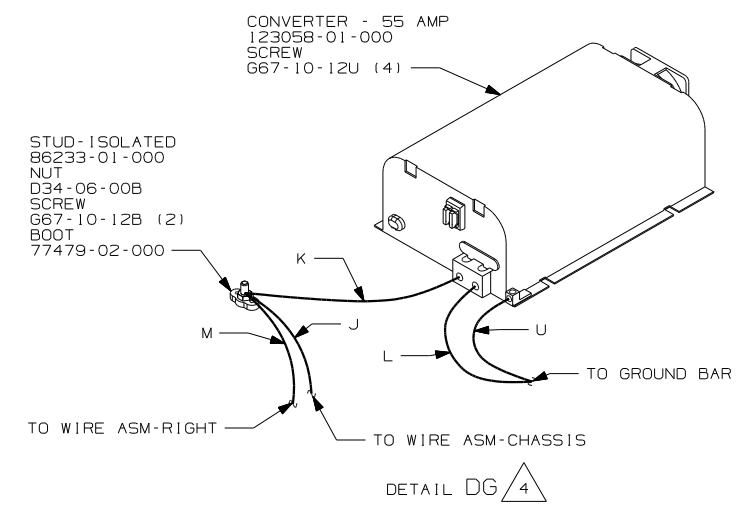
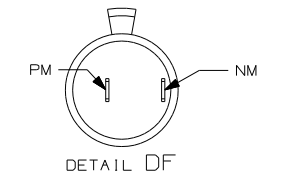
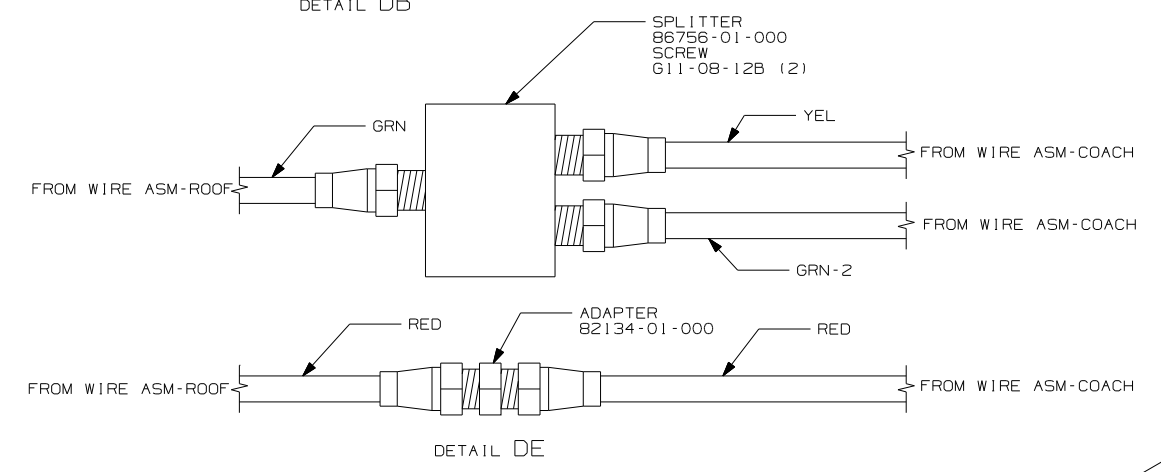
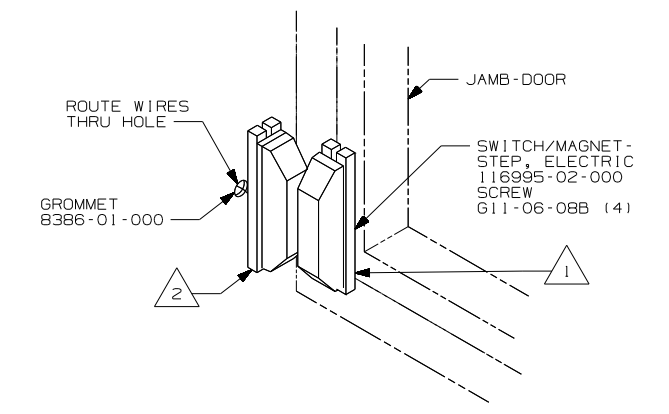
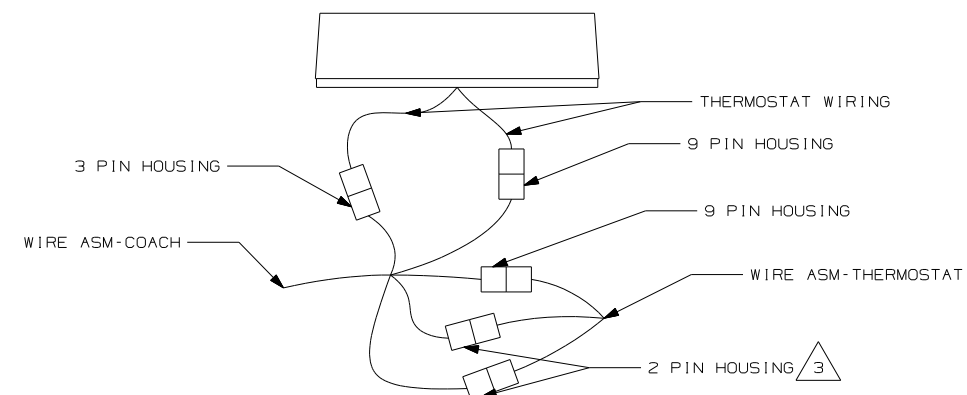
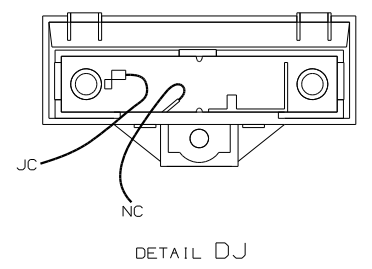
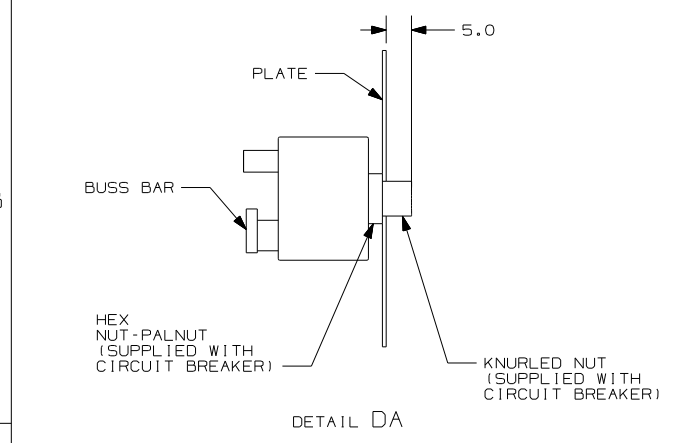
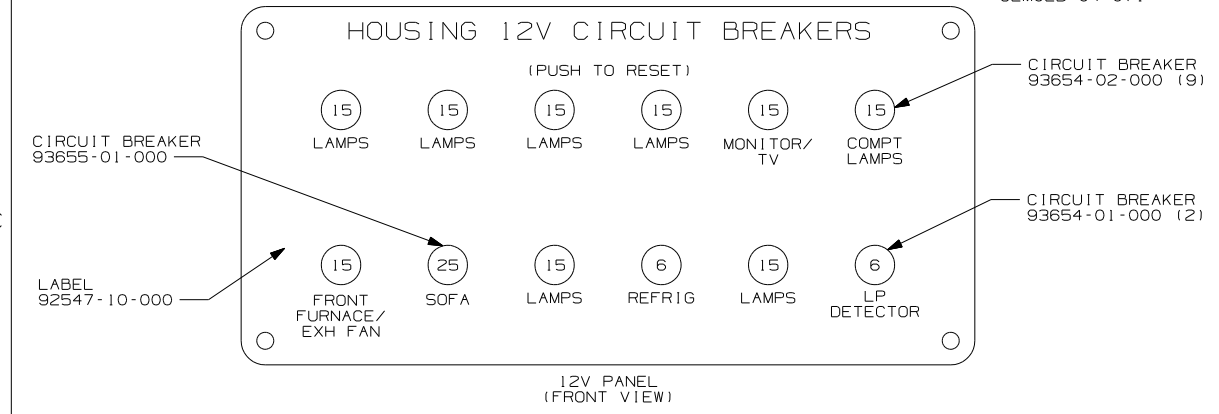
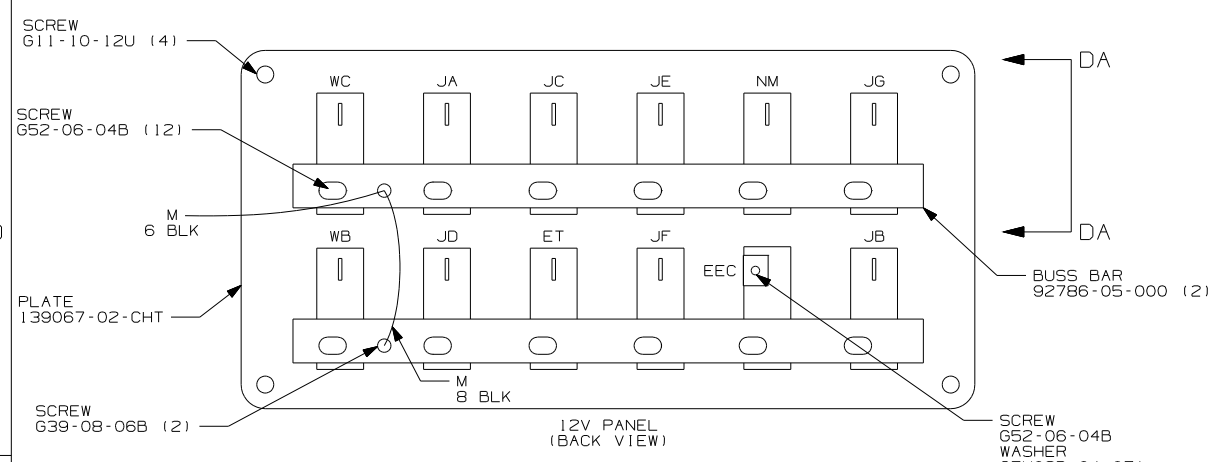
- (WIN) WINNEBAGO ONLY
- (ITA) ITASCA ONLY
- (29H) HEAT PUMP - CENTRAL A/C
- (29C) CENTRAL A/C
- (265) CODES/STANDARDS - CSA/CMVSS
- (21L) DINING TABLE & CHAIRS
- (21K) DINING/COMPUTER TABEL & CHAIRS
- (20F) SOUND SYSTEM DELUXE - WITHOUT
- (1B1) CODES/STANDARDS - USA
- (14W) DINETTE

FOR ELECTRICAL TORQUE SPECIFICATIONS SEE DWG NO. 128783-01-000

(X-X) FOR ELECTRICAL CALLOUTS SEE DWG NO. 121339-01-000

FIRST USED	04 G38G
DO NOT SCALE DRAWING	
TITLE:	WIRING INSTL-BODY, 12V
SHEET 2	PART NO 145415





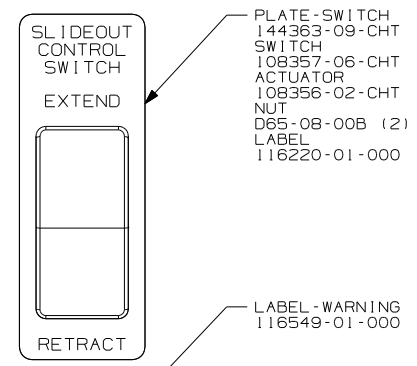
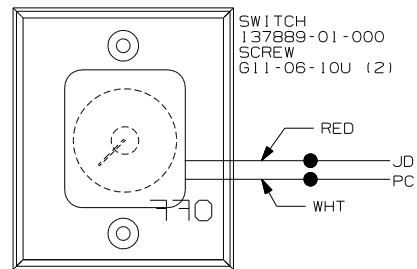
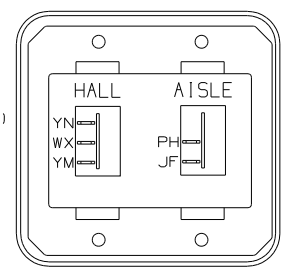
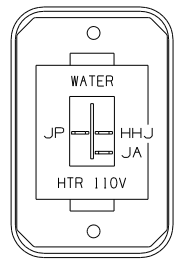
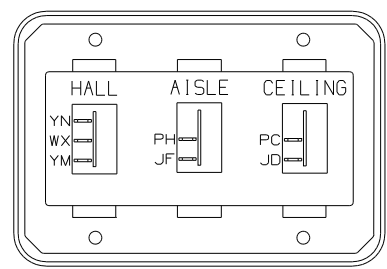
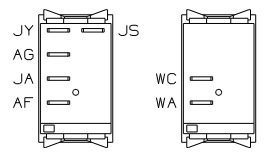
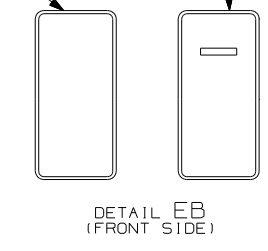
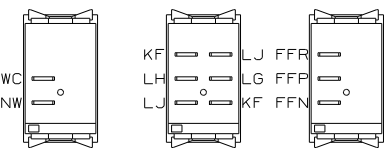
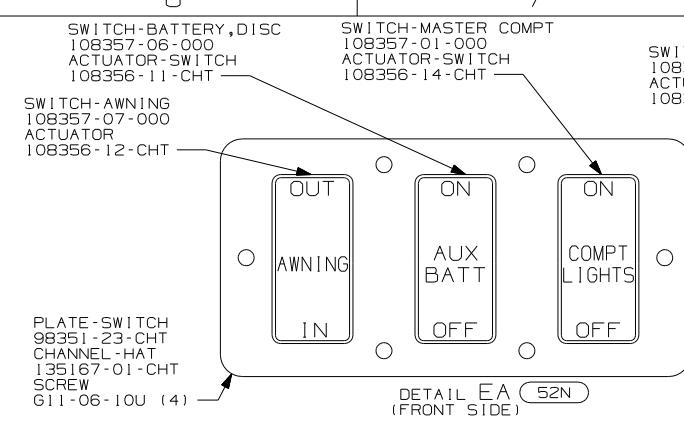
- NOTES:
- 4 FOR POSITIONING DIMENSIONS SEE WIRING INSTL-BODY, 110V SHT 4.
  - 3 WITHOUT 29H PLUG THE TWO PIN HOUSINGS TOGETHER ON WIRE ASM-THERMOSTAT.
  - 2 MOUNT SWITCH AND SPACER TO BLOCK ON JAMB ADJUST HEIGHT TO MATCH MAGNET.
  - 1 MOUNT MAGNET USING PILOT HOLES IN SCREEN DOOR FRAME. MOUNT WITH MAGNET TOWARD SWITCH.

FOR ELECTRICAL TORQUE SPECIFICATIONS SEE DWG NO. 128783-01-000

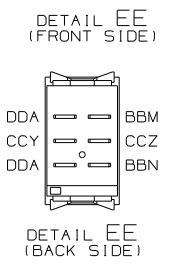
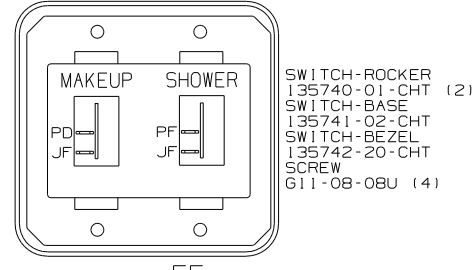
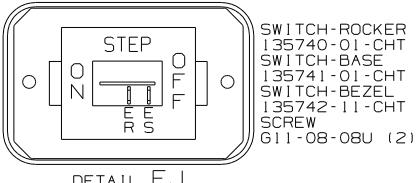
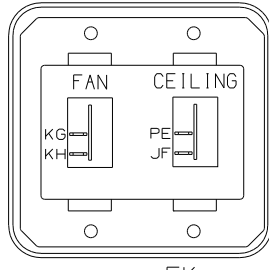
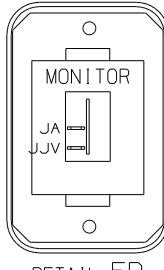
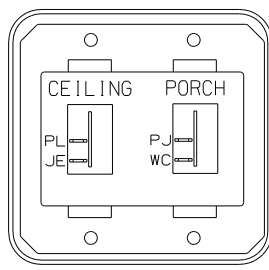
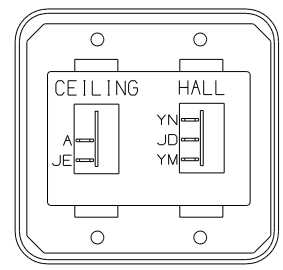
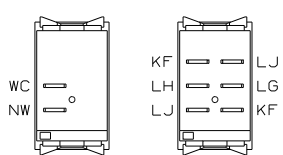
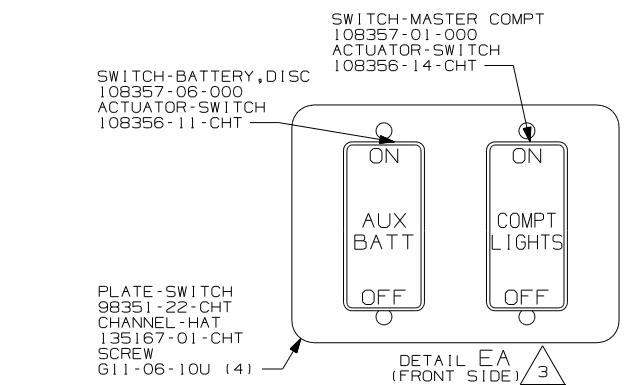
FOR ELECTRICAL CALLOUTS SEE DWG NO. 121339-01-000

- 29H HEAT PUMP - A/C CENTRAL
- 265 CODES/STANDARDS - CSA/CMVSS
- 1B1 CODES/STANDARDS - USA

FIRST USED	04 G38G
TITLE	DO NOT SCALE DRAWING
TITLE	WIRING INSTL-BODY, 12V
SHEET 4	PART NO 145415



**WARNING** UNDERSTAND OPERATOR'S MANUAL BEFORE USING  
KEEP PEOPLE AND OBSTRUCTIONS CLEAR OF  
SLIDEOUT ROOM WHEN OPERATING TO AVOID  
INJURY AND/OR PROPERTY DAMAGE



- (WIN) WINNEBAGO ONLY
- (ITA) ITASCA ONLY
- (52N) AWNING - PATIO, ELECTRIC
- (265) CODES/STANDARDS - CSA/CMVSS
- (IBI) CODES/STANDARDS - USA

3 WITHOUT 52N.

2 TAPE BACK UNUSED TERMINALS TO WIRE ASM-COACH WITH TAPE 8363-01-000.

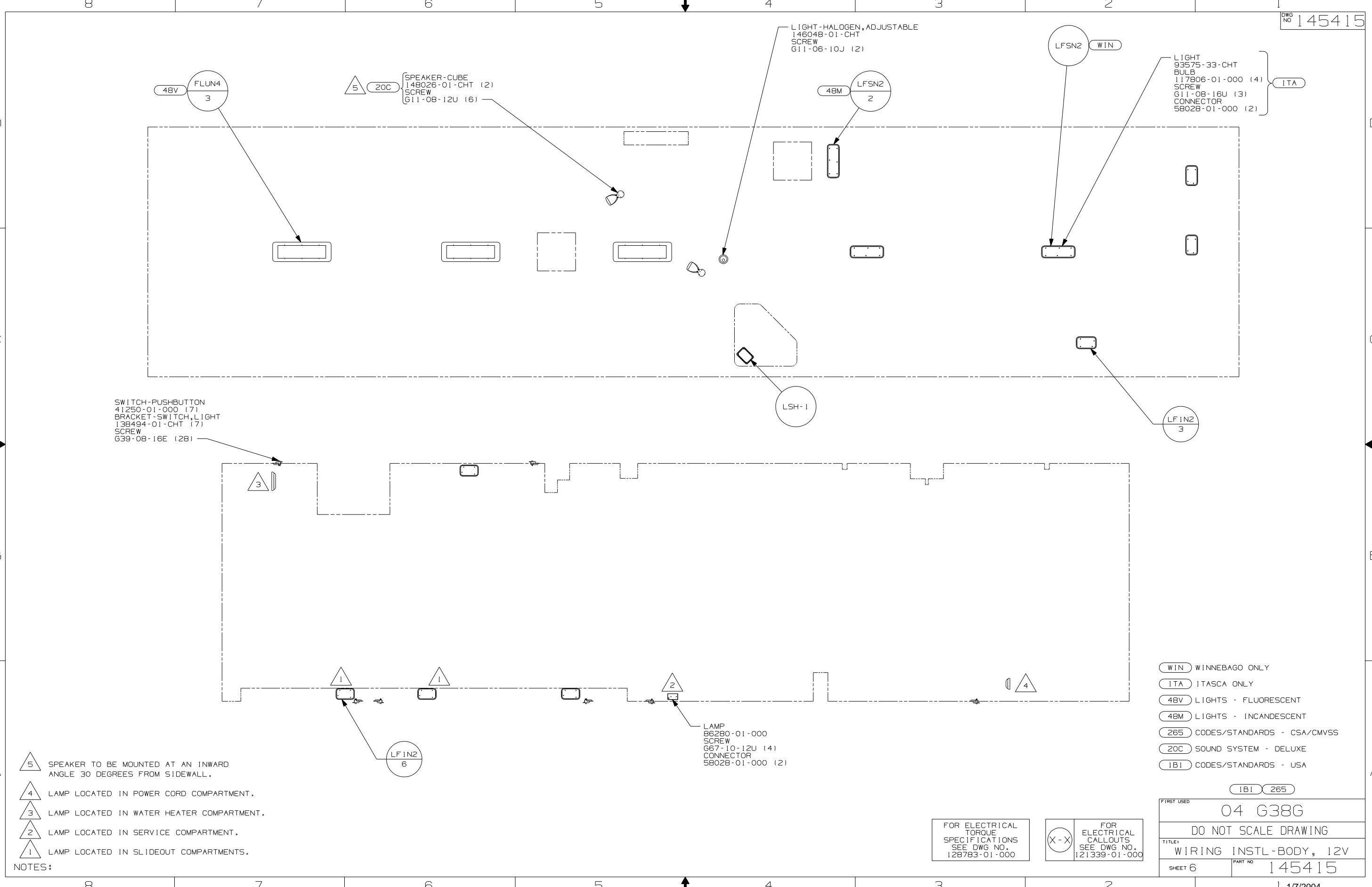
1. SWITCHES ARE TO BE INSTALLED AS SHOWN ON THIS DRAWING.

NOTES:

FOR ELECTRICAL TORQUE SPECIFICATIONS SEE DWG NO. 128783-01-000

FOR ELECTRICAL CALLOUTS SEE DWG NO. 121339-01-000

FIRST USED	04 G38G
TITLE	DO NOT SCALE DRAWING
	WIRING INSTL-BODY, 12V
SHEET 5	PART NO 145415



LIGHT - HALOGEN, ADJUSTABLE  
146048-01-CHT  
SCREW  
G11-06-10J (2)

LIGHT  
93575-33-CHT  
BULB  
117806-01-000 (4) } ITA  
SCREW  
G11-08-16U (3)  
CONNECTOR  
58028-01-000 (2)

SPEAKER - CUBE  
148026-01-CHT (2)  
SCREW  
G11-08-12U (6)

SWITCH - PUSHBUTTON  
41250-01-000 (7)  
BRACKET - SWITCH, LIGHT  
138494-01-CHT (7)  
SCREW  
G39-08-16E (28)

LAMP  
86280-01-000  
SCREW  
G67-10-12U (4)  
CONNECTOR  
58028-01-000 (2)

- (WIN) WINNEBAGO ONLY
- (ITA) ITASCA ONLY
- (4BV) LIGHTS - FLUORESCENT
- (4BM) LIGHTS - INCANDESCENT
- (265) CODES/STANDARDS - CSA/CMVSS
- (20C) SOUND SYSTEM - DELUXE
- (1B1) CODES/STANDARDS - USA

- NOTES:
- 5 SPEAKER TO BE MOUNTED AT AN INWARD ANGLE 30 DEGREES FROM SIDEWALL.
  - 4 LAMP LOCATED IN POWER CORD COMPARTMENT.
  - 3 LAMP LOCATED IN WATER HEATER COMPARTMENT.
  - 2 LAMP LOCATED IN SERVICE COMPARTMENT.
  - 1 LAMP LOCATED IN SLIDEOUT COMPARTMENTS.

FOR ELECTRICAL TORQUE SPECIFICATIONS SEE DWG NO. 128783-01-000

FOR ELECTRICAL CALLOUTS SEE DWG NO. 121339-01-000

FIRST USED	04 G38G
TITLE	DO NOT SCALE DRAWING
TITLE	WIRING INSTL-BODY, 12V
SHEET 6	PART NO 145415

