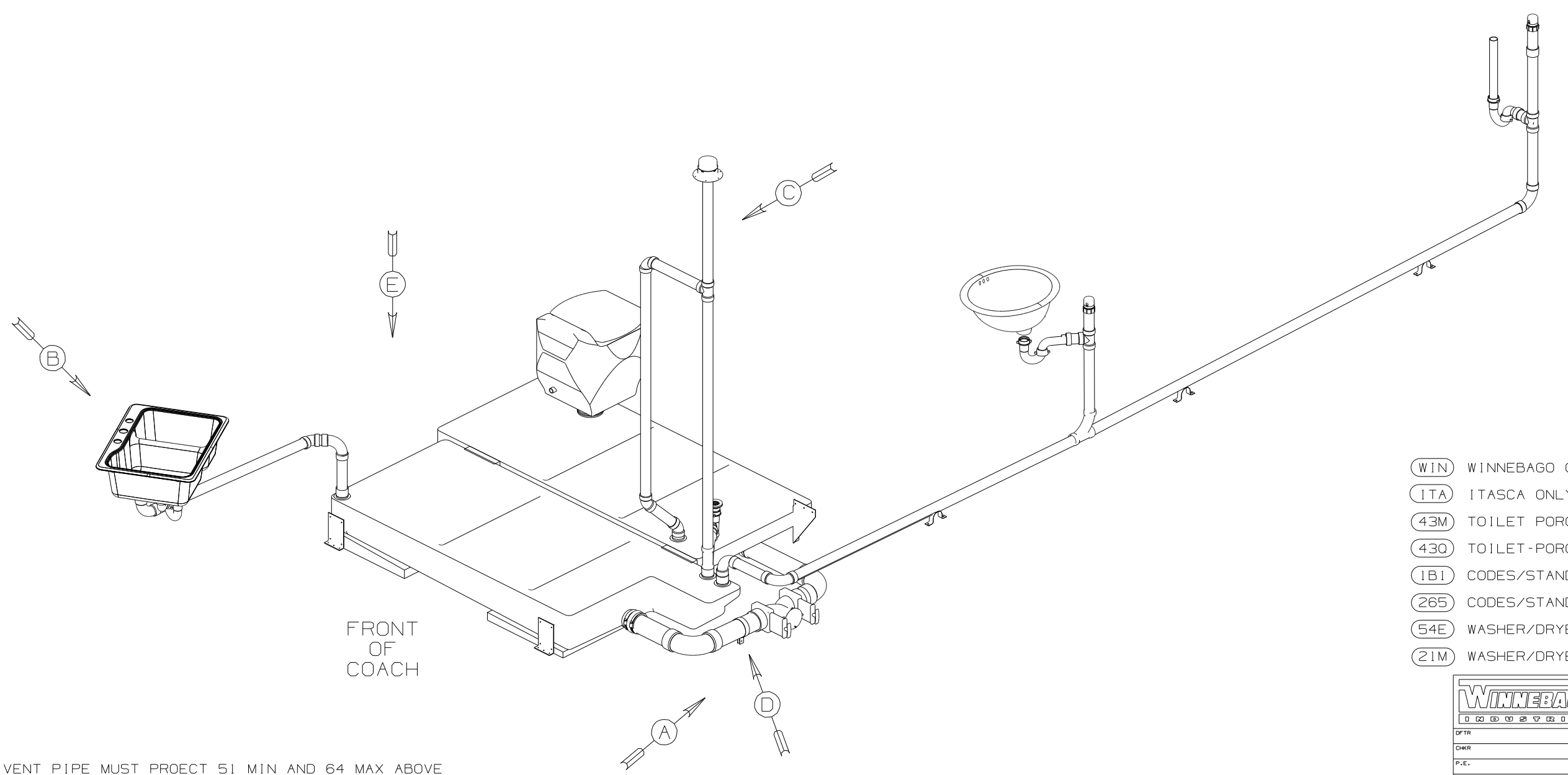


DWG NO	----
144313-01	(WIN)
144313-02	(ITA)

RELEASE	REV DATE	DWG NO	144313
REV ZONE	REVISION RECORD	DATE	DFTR-ORIG



- (WIN) WINNEBAGO ONLY
- (ITA) ITASCA ONLY
- (43M) TOILET PORCELAIN-ELONGATED
- (430) TOILET-PORCELAIN
- (1B1) CODES/STANDARDS USA
- (265) CODES/STANDARDS-CSA/CMVSS
- (54E) WASHER/DRYER
- (21M) WASHER/DRYER PREP

6. VENT PIPE MUST PROECT 51 MIN AND 64 MAX ABOVE ROOF FOR PROPER FIT AND FUNCTION.
5. SEAL AROUND SHOWER WITH SILICONE.
4. ALL EXTERIOR OPENINGS AROUND PIPE TO BE SEALED WITH 131264-03-000.
3. ALL PIPE AND FITTINGS TO BE ASSEMBLED WITH SOLVENT 4020-01-000.
2. SLOPE OF TRAP ARM MUST BE 6 PER 305 mm.
1. SLOPE OF HORIZONTAL PIPING TO BE MIN 3 PER 305 mm.

<b>WINNEBAGO</b>		COPYRIGHT 2004 WINNEBAGO INDUSTRIES, INC.	
DFTR	ORIG. DATE	ALL DIMENSIONS ARE IN MILLIMETERS	
CHKR		FIRST USED	
P.E.		04 G38G	
M.E.		UNSPECIFIED TOLERANCES ARE:	
DSNR		MATERIAL:	
		WHOLE DIM (X) :	7
		ONE-PLACE (X.X) :	
		TWO-PLACE (X.XX) :	
		ANGLE :	
THIRD ANGLE PROJECTION		DO NOT SCALE DRAWING	
TITLE: DRAINAGE SYSTEM INSTL			
SHEET 1 OF 3		PART NO 144313	

(X-X)  
FOR  
DRAINAGE  
CALLOUTS  
SEE DWG NO  
116229-01-000

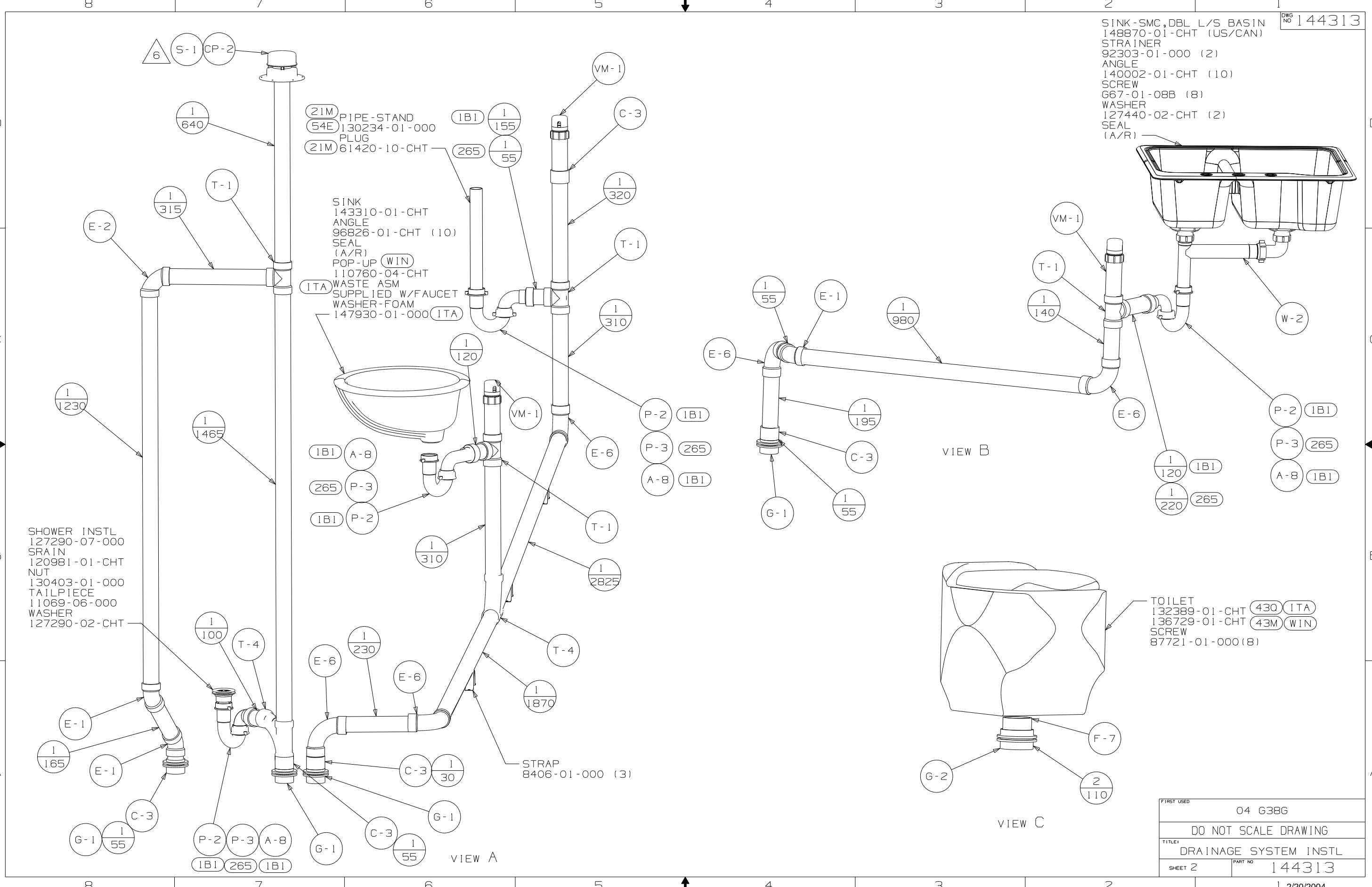
DWG NO 144313  
 SINK-SMC, DBL L/S BASIN  
 148870-01-CHT (US/CAN)  
 STRAINER  
 92303-01-000 (2)  
 ANGLE  
 140002-01-CHT (10)  
 SCREW  
 G67-01-08B (8)  
 WASHER  
 127440-02-CHT (2)  
 SEAL  
 (A/R)

(21M) PIPE-STAND  
 (54E) 130234-01-000  
 PLUG  
 (21M) 61420-10-CHT

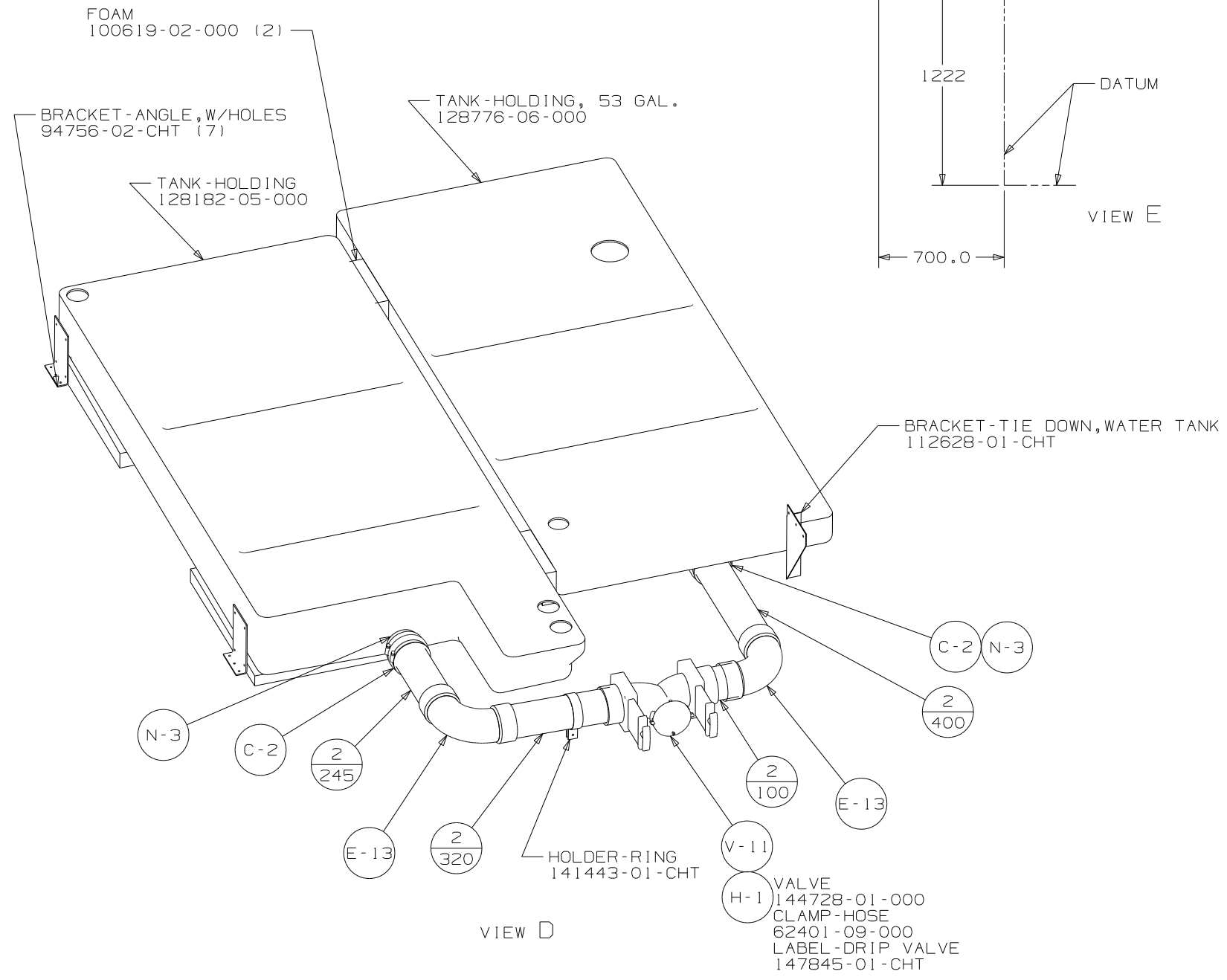
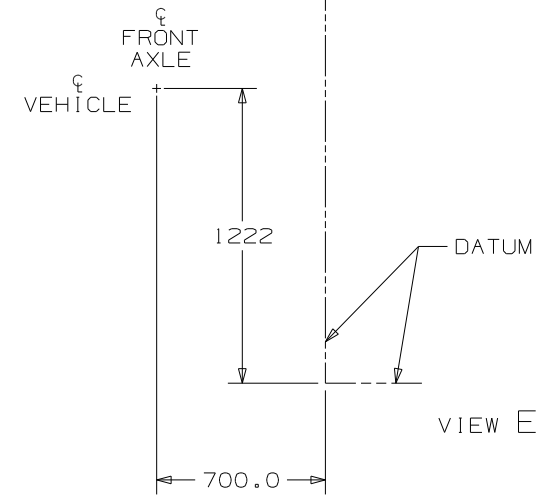
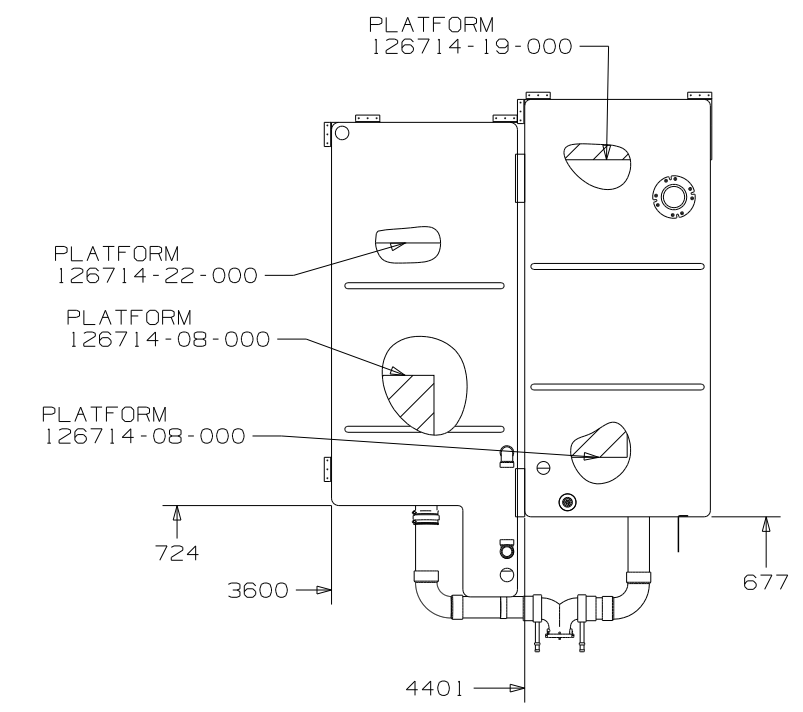
SINK  
 143310-01-CHT  
 ANGLE  
 96826-01-CHT (10)  
 SEAL  
 (A/R)  
 POP-UP (WIN)  
 110760-04-CHT  
 WASTE ASM  
 SUPPLIED W/FAUCET  
 WASHER-FOAM  
 147930-01-000 (ITA)

SHOWER INSTL  
 127290-07-000  
 STRAIN  
 120981-01-CHT  
 NUT  
 130403-01-000  
 TAILPIECE  
 11069-06-000  
 WASHER  
 127290-02-CHT

TOILET  
 132389-01-CHT (43Q) (ITA)  
 136729-01-CHT (43M) (WIN)  
 SCREW  
 87721-01-000 (8)



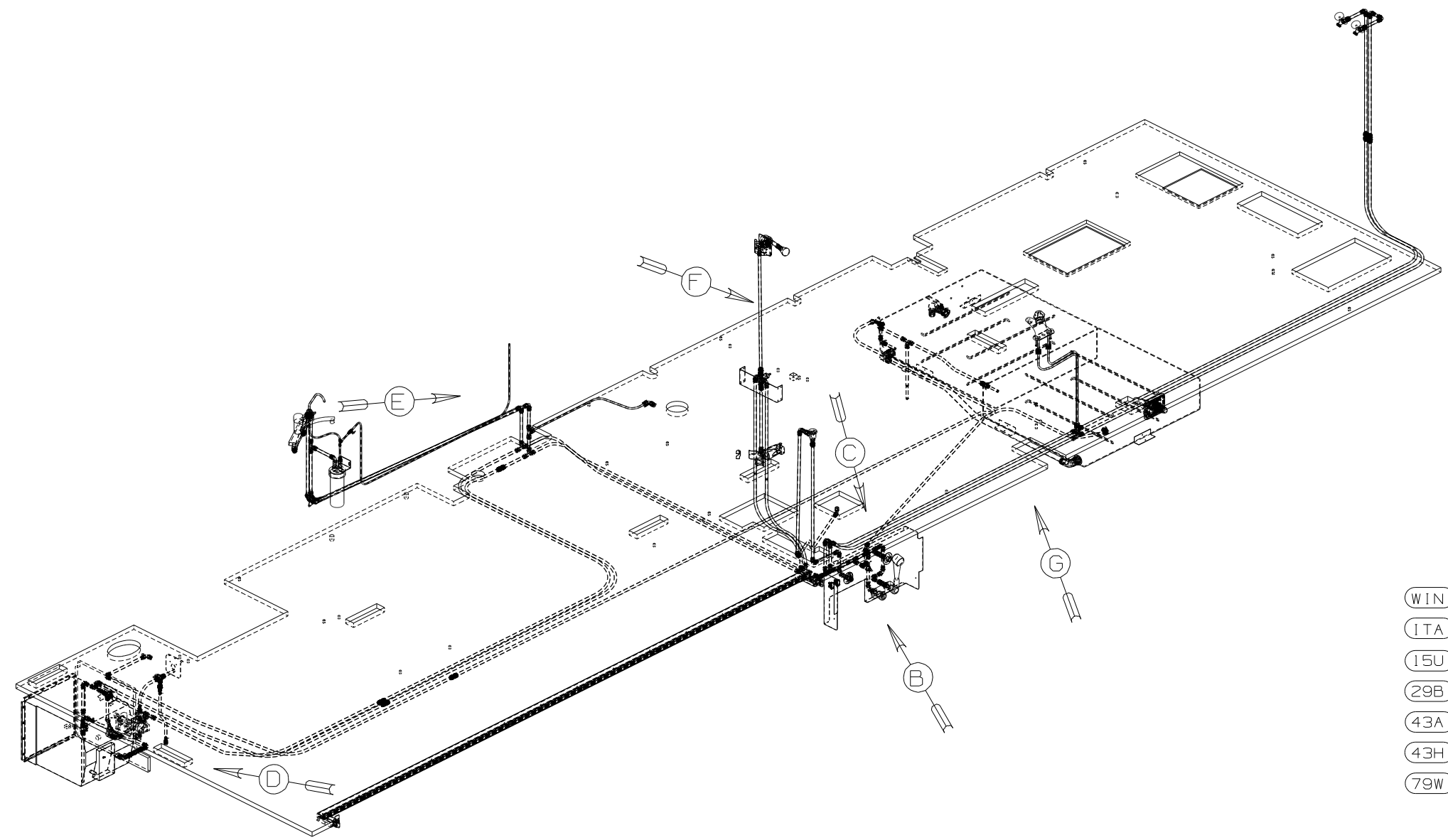
FIRST USED	04 G38G
DO NOT SCALE DRAWING	
TITLE	DRAINAGE SYSTEM INSTL
SHEET 2	PART NO 144313
1/2/2004	



FIRST USED	04 G38G
DO NOT SCALE DRAWING	
TITLE	DRAINAGE SYSTEM INSTL
SHEET 3	PART NO 144313

DWG NO	---
144314-01	(WIN)
144314-02	(ITA)

RELEASE	REV DATE	DWG NO
A		144314
REV ZONE	REVISION RECORD	DATE
		DFTR-ORIG



- (WIN) WINNEBAGO ONLY
- (ITA) ITASCA ONLY
- (15U) REFRIGERATOR/FRZR W/ICEMAKER
- (29B) WATER PURIFIER
- (43A) SHOWER HEAD-FIXED
- (43H) SHOWER HEAD-HAND HELD
- (79W) REFRIGERATOR 4-DOOR

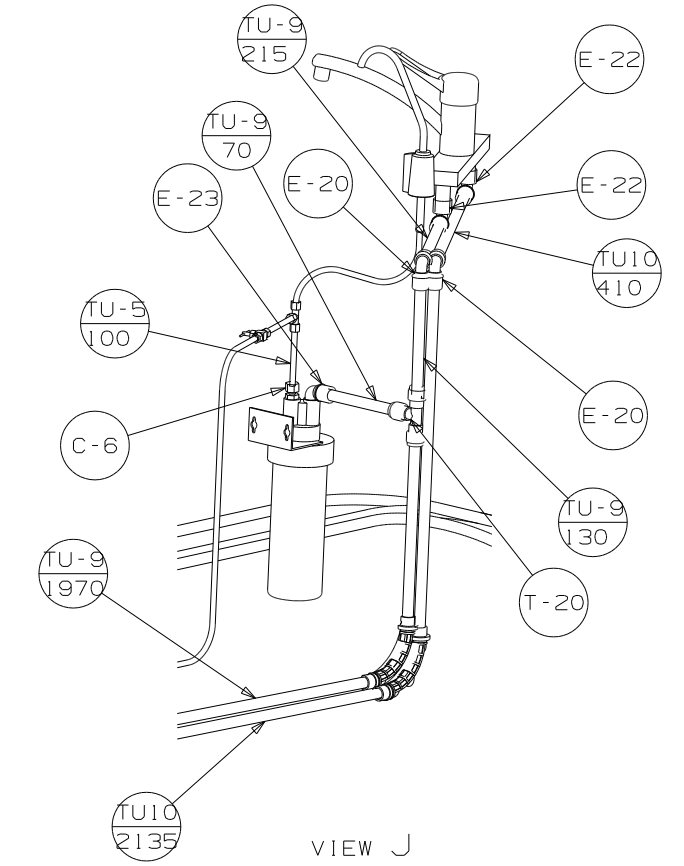
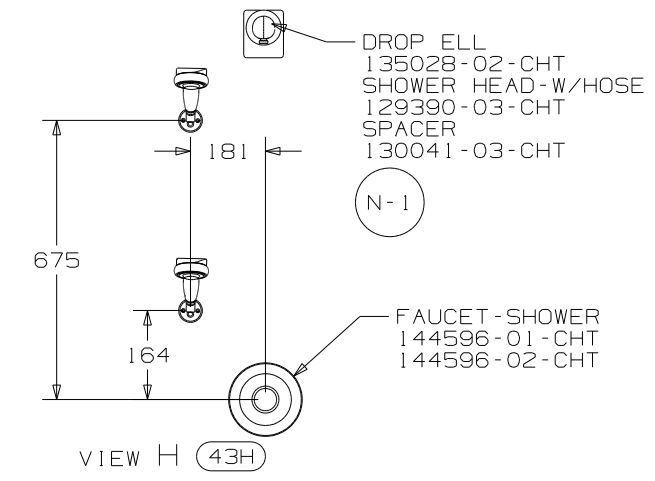
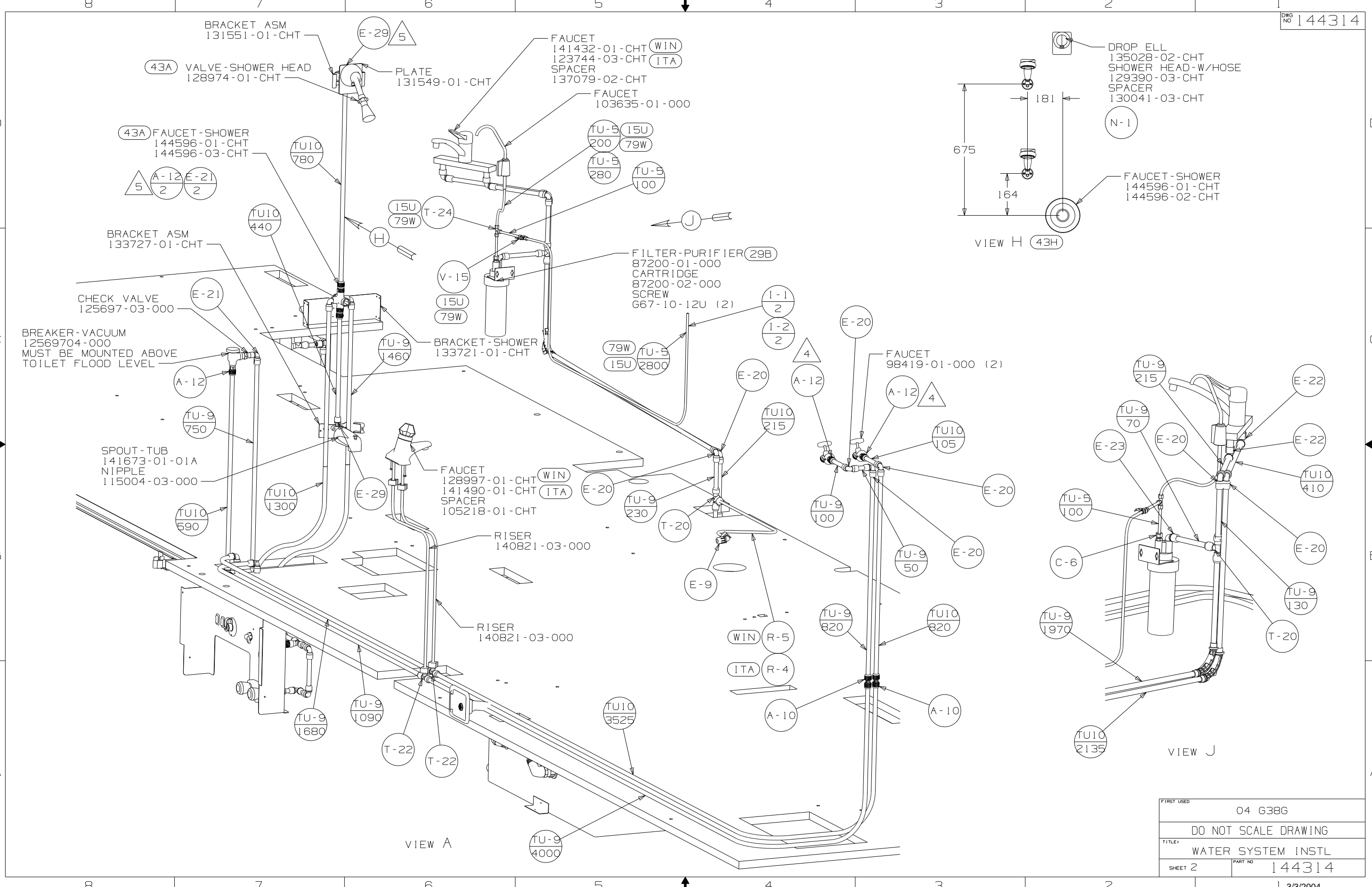
- 5 ADD TEFLON TAPE 10405-01-000.
- 4 ADD TEFLON TAPE 10405-02-000.

3. ALL TUBING TO BE SECURED AT 1200 INTERVALS MAXIMUM WITH CLAMP 10495-01-000 OR CLIP 9151-01-000 AND SCREW G67-10-12B.
2. TUBING TO BE INSTALLED WITH SUFFICIENT SLOPE TO PROVIDE DRAINAGE TO NEAREST VALVE.
1. PLASTIC FITTINGS TO BE SEALED WITH SEALANT 84456-01-000.

NOTES:

(X-X)  
FOR  
WATER  
CALLOUTS  
SEE DWG NO  
116230-01-000

<b>WINNEBAGO</b>		COPYRIGHT 2004 WINNEBAGO INDUSTRIES, INC.	
DFTR	ORIG. DATE	ALL DIMENSIONS ARE IN MILLIMETERS	
CHKR		FIRST USED	
P.E.		04 G38G	
M.E.		UNSPECIFIED TOLERANCES ARE:	
DSNR		WHOLE DIM (X) :	7
		ONE-PLACE (X.X) :	<input checked="" type="checkbox"/>
		TWO-PLACE (X.XX) :	<input checked="" type="checkbox"/>
		ANGLE :	<input checked="" type="checkbox"/>
		THIRD ANGLE PROJECTION	<input checked="" type="checkbox"/>
DO NOT SCALE DRAWING			
TITLE: WATER SYSTEM INSTL			
SHEET 1 OF 4	PART NO	144314	
REF: 140882 1 3/3/2004			

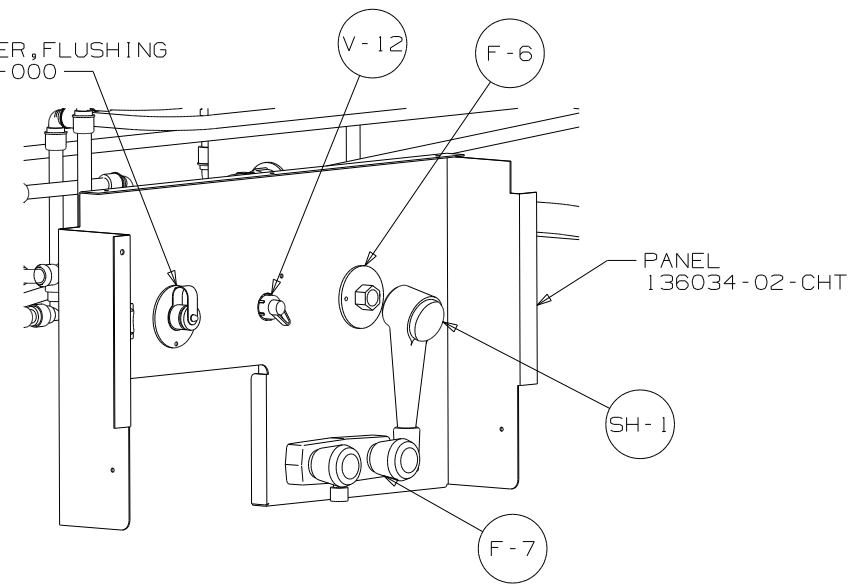


VIEW A

VIEW J

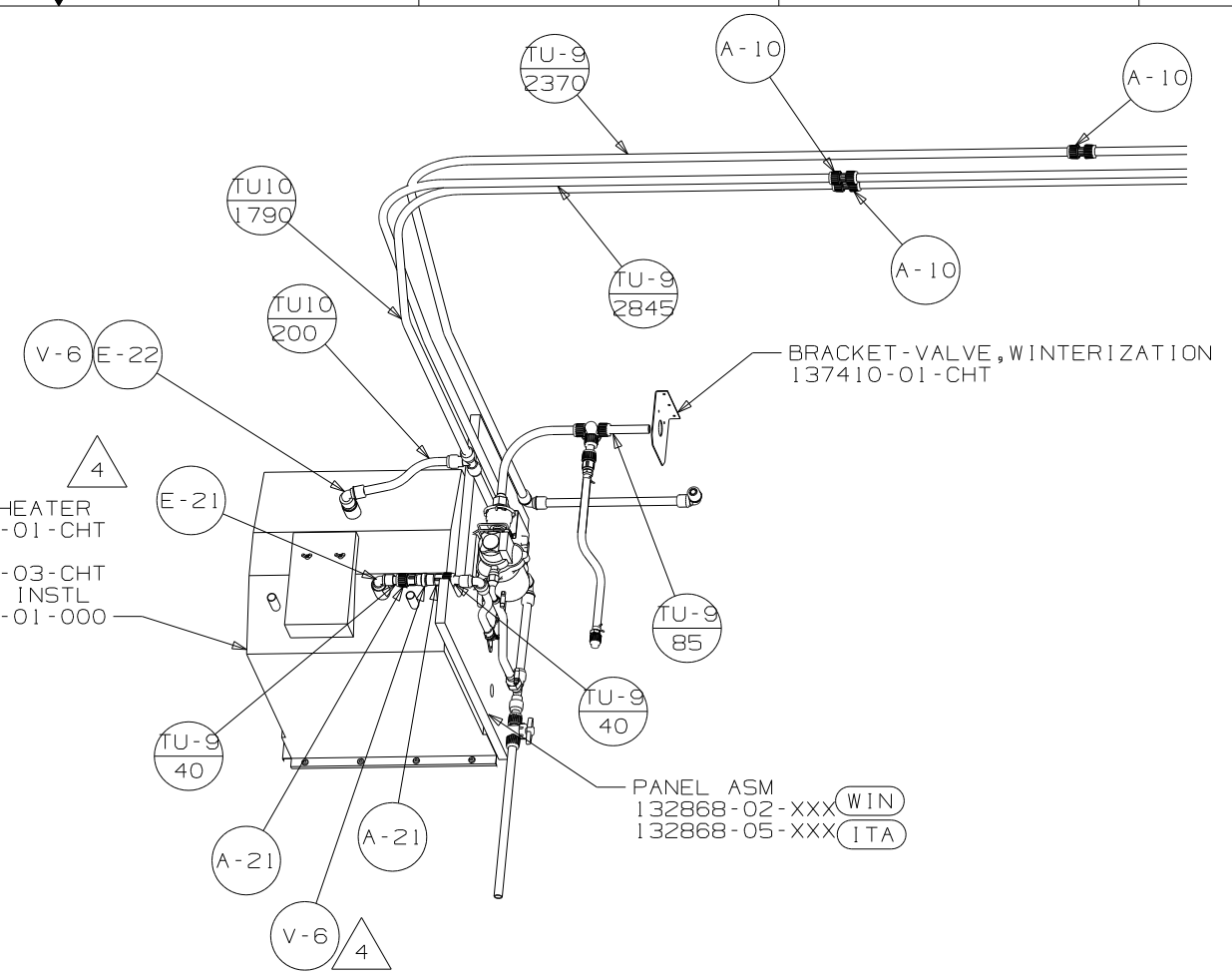
FIRST USED	04 G38G
TITLE	DO NOT SCALE DRAWING
SHEET 2	PART NO 144314

INLET - WATER, FLUSHING  
125697-05-000

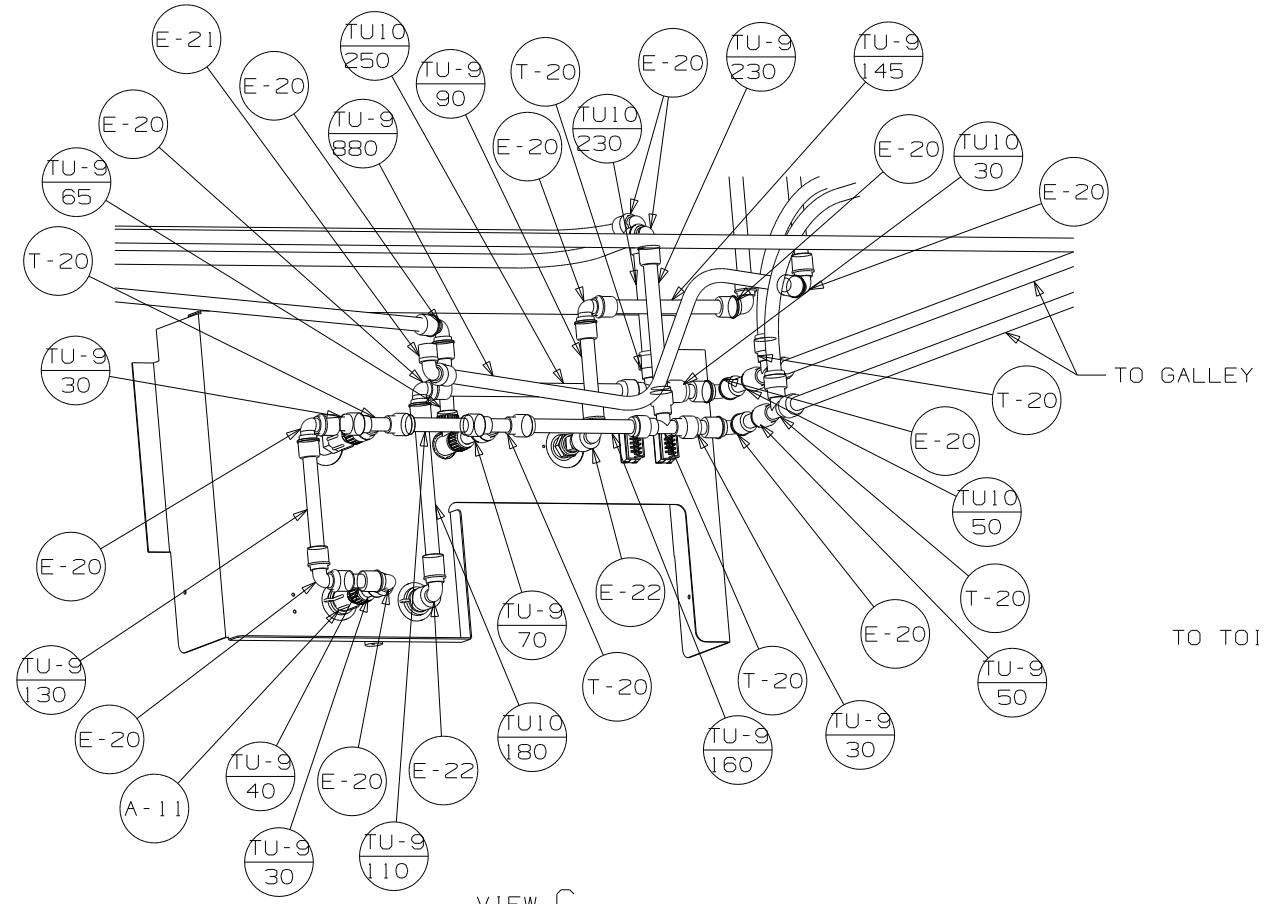


VIEW B

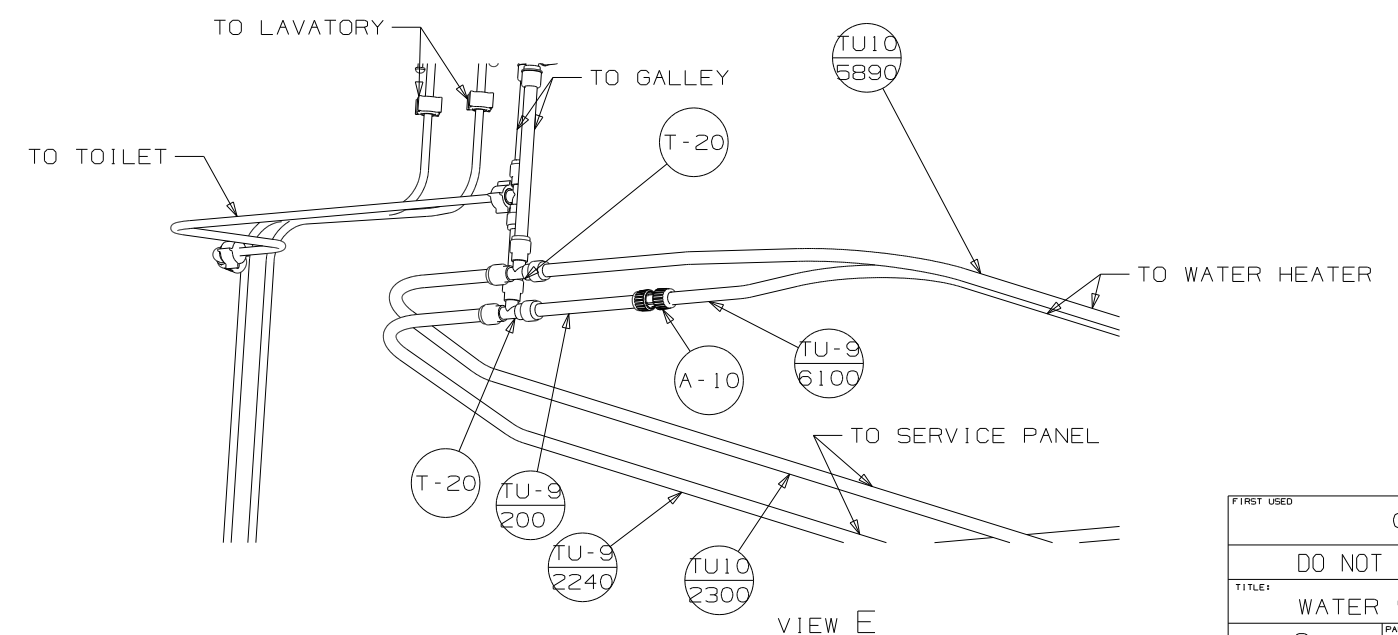
4 WATER HEATER  
145541-01-CHT  
DOOR  
125420-03-CHT  
BUMPER INSTL  
146507-01-000



VIEW D

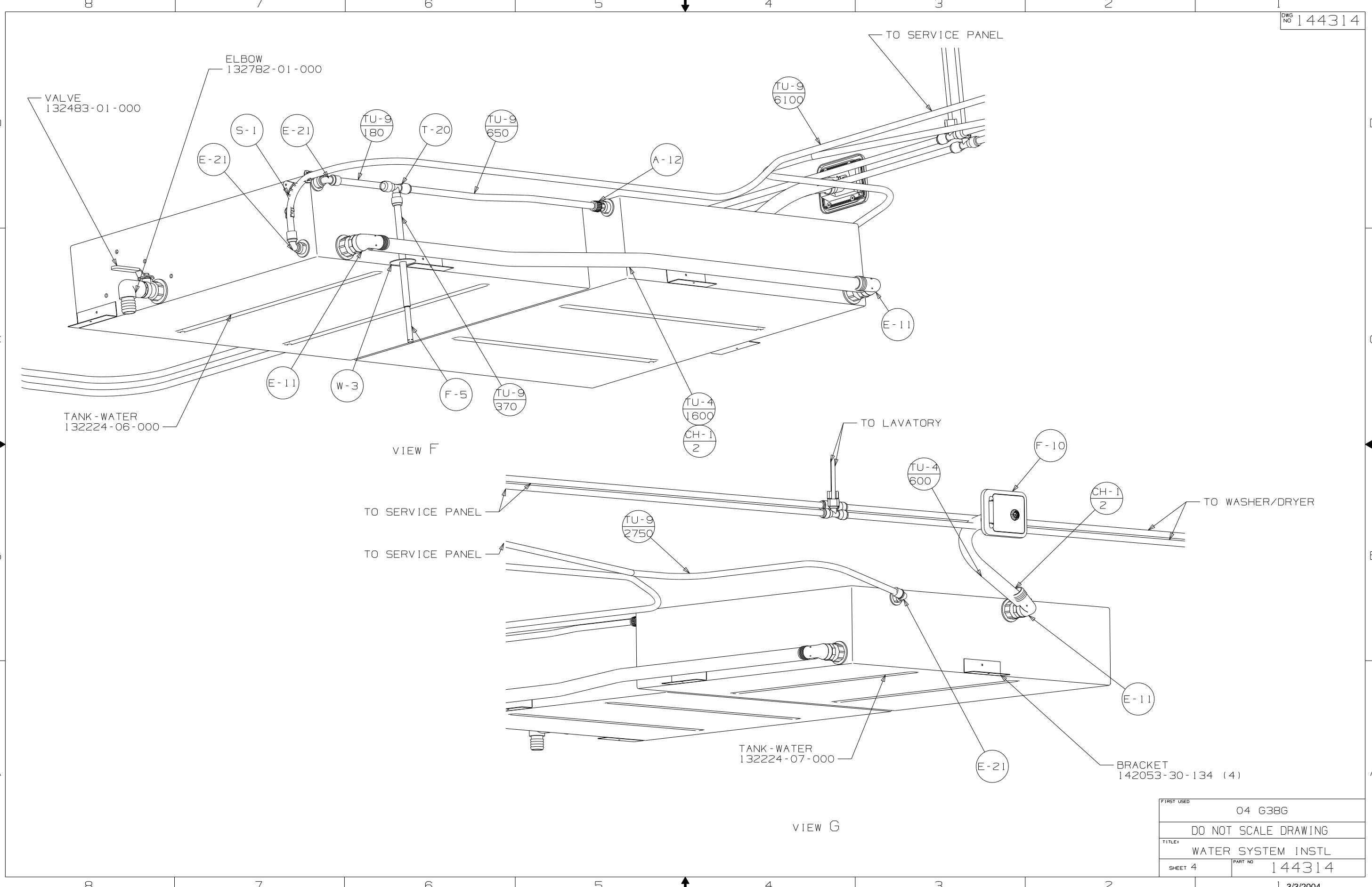


VIEW C



VIEW E

FIRST USED	04 G38G
TITLE	DO NOT SCALE DRAWING
TITLE	WATER SYSTEM INSTL
SHEET 3	PART NO 144314



FIRST USED	04 G38G
DO NOT SCALE DRAWING	
TITLE	WATER SYSTEM INSTL
SHEET 4	PART NO 144314