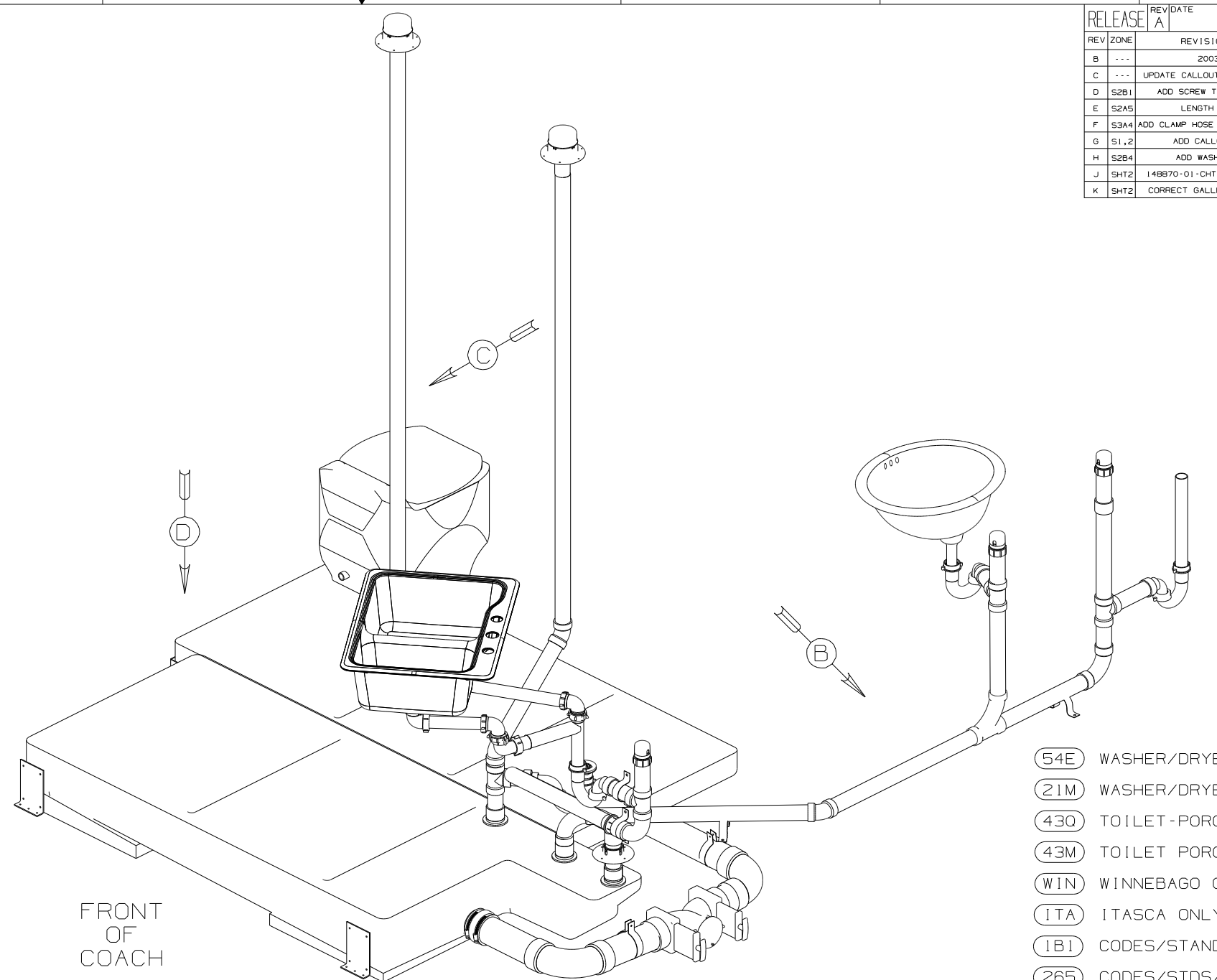


DWG NO	---
145765-01	(WIN)
145765-02	(ITA)

RELEASE	REV DATE	DWG NO	145765		
A					
REV	ZONE	REVISION RECORD	DATE	DFTR	ORIG
B	---	2003 CHANGES	1-30-03	7524	2957
C	---	UPDATE CALLOUTS ON SH02 AND SH03	2-28-03	1600	2552
D	S2B1	ADD SCREW TO TOILET CALLOUT	4-08-03	8426	9613
E	S2A5	LENGTH 330 WAS 260	04/25/03	3609	2957
F	S3A4	ADD CLAMP HOSE & LABEL-DRIP VALVE	04/25/03	9583	2552
G	S1,2	ADD CALLOUTS 54E, 21M	06/11/03	8426	2957
H	S2B4	ADD WASHER 147930-01	7/18/03	4823	2957
J	SHT2	148870-01-CHT WAS 136928-01-CHT	01/14/04	3609	2552
K	SHT2	CORRECT GALLEY DRAIN GEOMETRY	2/13/04	4823	2552

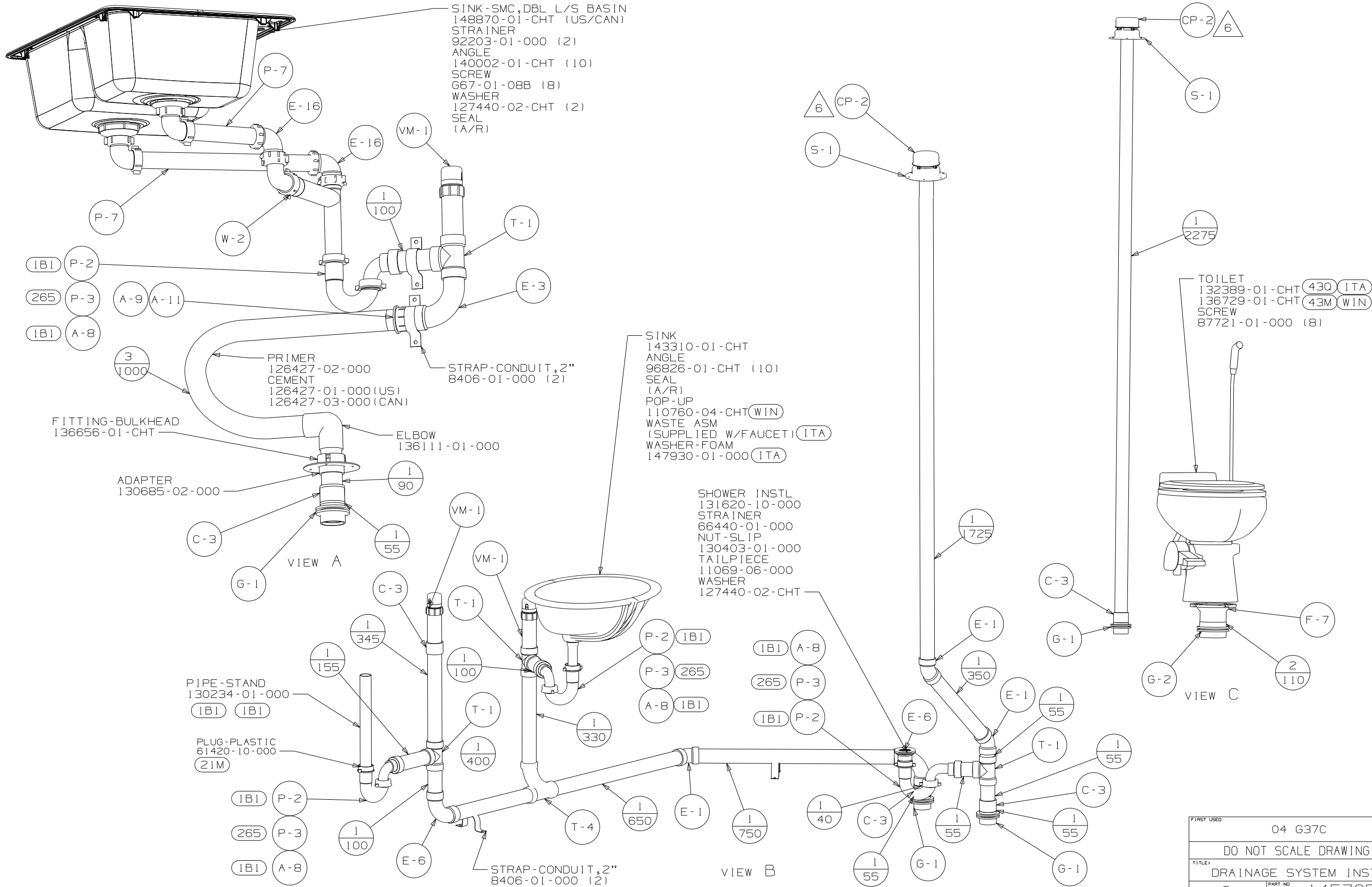


- (54E) WASHER/DRYER
- (21M) WASHER/DRYER PREP
- (430) TOILET-PORCELAIN
- (43M) TOILET PORCELAIN, ELONGATED
- (WIN) WINNEBAGO ONLY
- (ITA) ITASCA ONLY
- (1B1) CODES/STANDARDS/USA
- (265) CODES/STDS/CSA/CMVSS

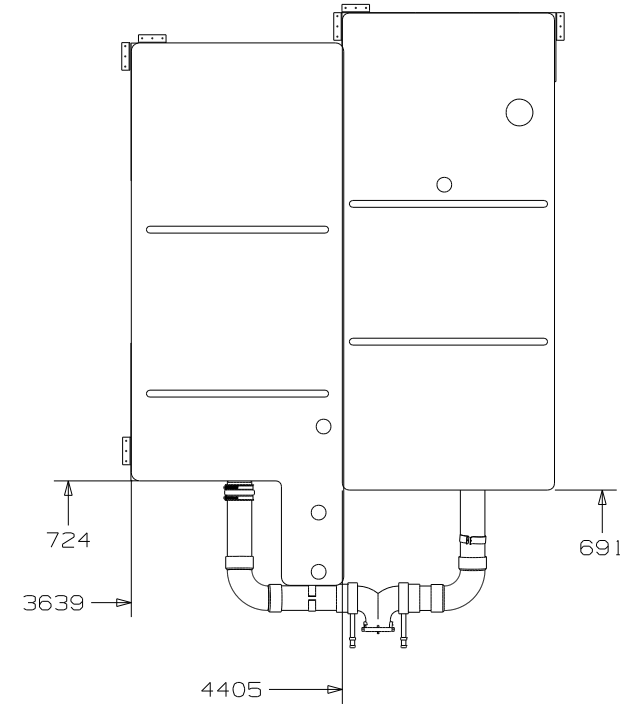
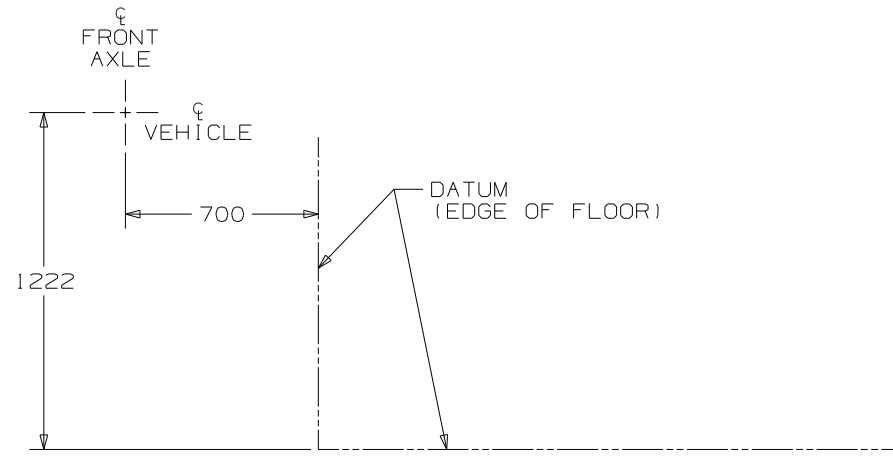
- 6 VENT PIPE MUST PROJECT 51 MIN AND 64 MAX ABOVE ROOF FOR PROPER FIT AND FUNCTION.
5. SEAL AROUND SHOWER WITH SILICONE.
 4. ALL EXTERIOR OPENINGS AROUND PIPE TO BE SEALED WITH 100744-01-000.
 3. ALL PIPE AND FITTINGS TO BE ASSEMBLED WITH SOLVENT 4020-01-000.
 2. SLOPE OF TRAP ARM MUST BE 6 PER 305 mm.
 1. SLOPE OF HORIZONTAL PIPING TO BE MIN 3 PER 305 mm.

(X-X)
FOR DRAINAGE CALLOUTS SEE DWG NO 116229-01-000

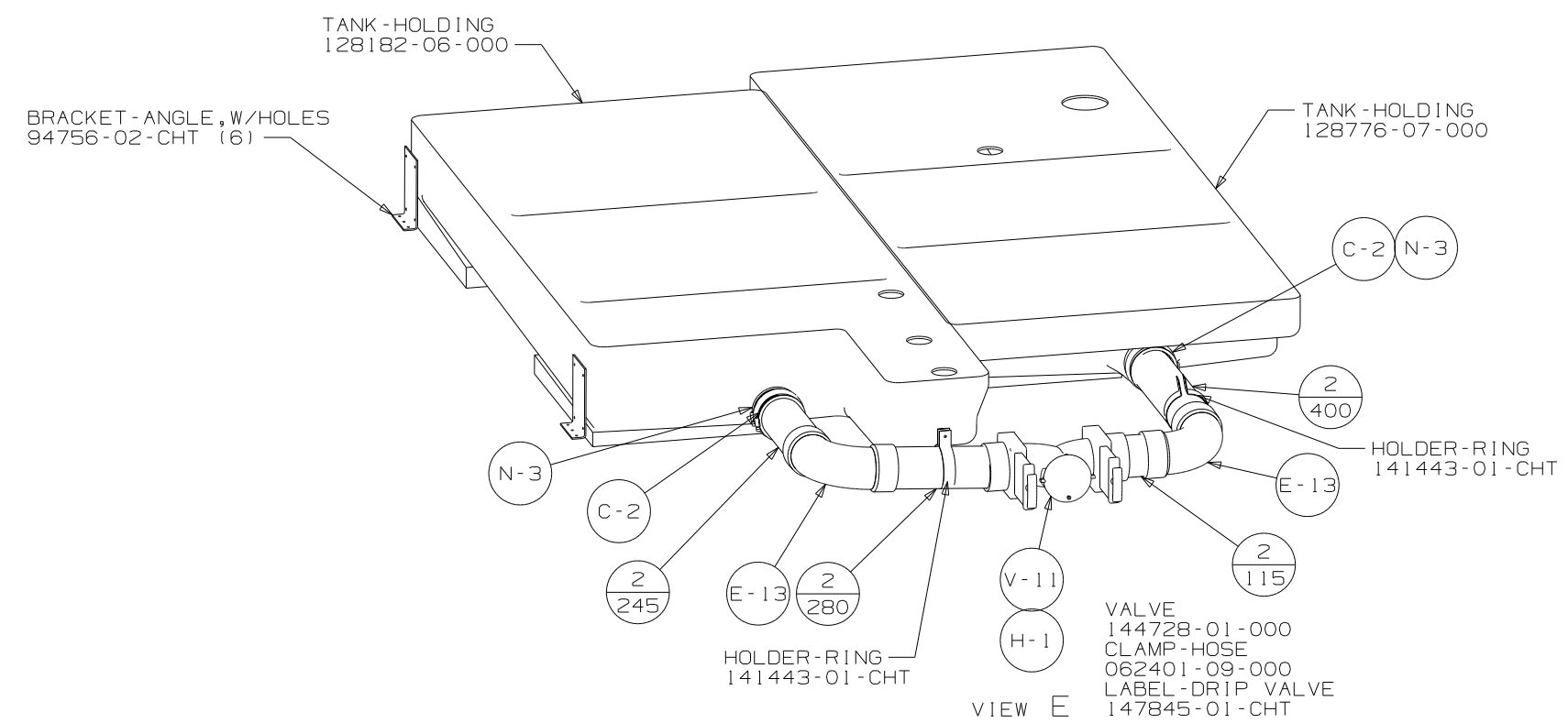
WINNEBAGO		COPYRIGHT 2004 WINNEBAGO INDUSTRIES, INC.	
DFTR	ORIG. DATE	ALL DIMENSIONS ARE IN MILLIMETERS	
CHKR		FIRST USED	
P.E.		04 G37C	
M.E.		UNSPECIFIED TOLERANCES ARE:	
DSNR		MATERIAL:	
		WHOLE DIM (X)	: 3
		ONE-PLACE (X.X)	:
		TWO-PLACE (X.XX)	:
		ANGLE	:
		THIRD ANGLE PROJECTION	
DO NOT SCALE DRAWING			
TITLE: DRAINAGE SYSTEM INSTL			
SHEET 1 OF 3	PART NO	145765	



FIRST USED	04 G37C
TITLE	DO NOT SCALE DRAWING
	DRAINAGE SYSTEM INSTL
SHEET 2	PART NO 145765



VIEW D

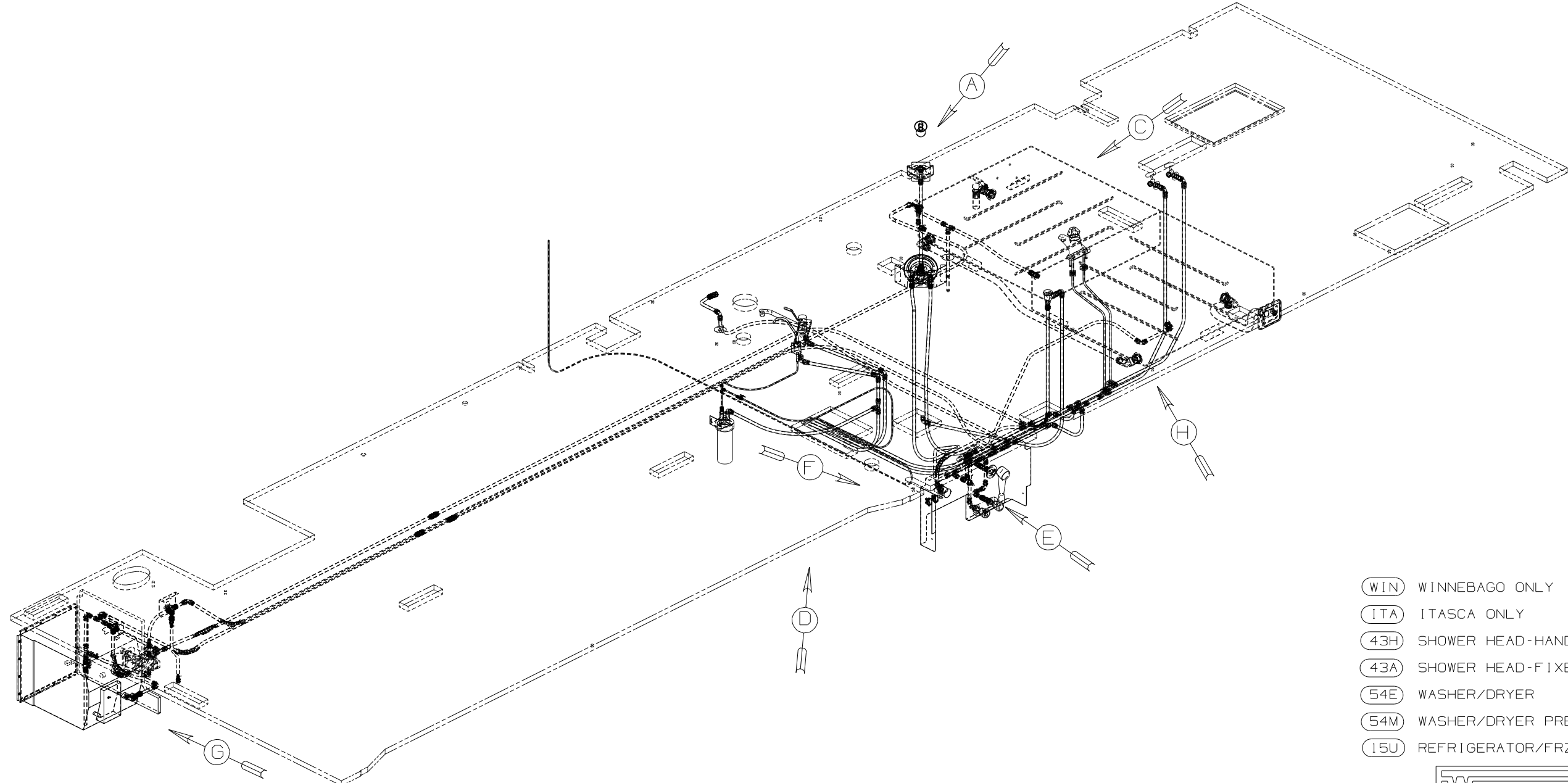


VIEW E

FIRST USED	04 G37C
DO NOT SCALE DRAWING	
TITLE	DRAINAGE SYSTEM INSTL
SHEET 3	PART NO 145765

DWG NO	--
145768-01	(WIN)
145768-02	(ITA)

RELEASE	REV DATE	DWG NO
A		145768
REV ZONE	REVISION RECORD	DATE DFR-ORIG

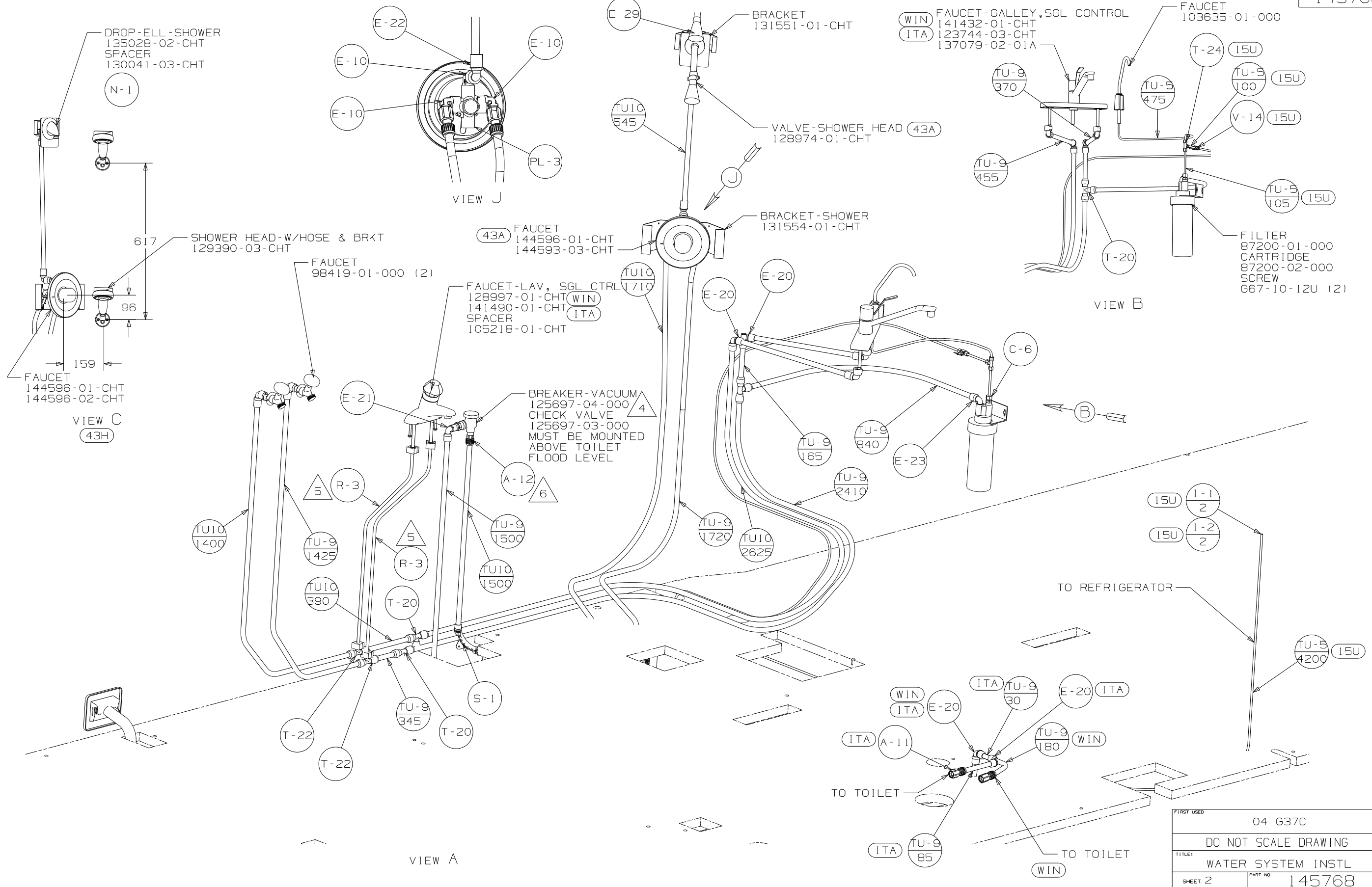


- (WIN) WINNEBAGO ONLY
- (ITA) ITASCA ONLY
- (43H) SHOWER HEAD-HAND HELD
- (43A) SHOWER HEAD-FIXED
- (54E) WASHER/DRYER
- (54M) WASHER/DRYER PREP
- (15U) REFRIGERATOR/FRZR W/ICEMAKER

- NOTES:
- 6 ADD TEFLON TAPE 10405-01-000.
 - 5 ADD TEFLON TAPE 10405-02-000.
 - 4 FLUSHING SYSTEM REQUIRES 125697-06-000 INSTRUCTION SHEET.
 - 3. ALL TUBING TO BE SECURED AT 1200 INTERVALS MAXIMUM WITH CLAMP 10495-01-000 OR CLIP 9151-01-000 AND SCREW G67-10-12B.
 - 2. TUBING TO BE INSTALLED WITH SUFFICIENT SLOPE TO PROVIDE DRAINAGE TO NEAREST VALVE.
 - 1. PLASTIC FITTINGS TO BE SEALED WITH SEALANT 84456-01-000.

WINNEBAGO		COPYRIGHT 2004 WINNEBAGO INDUSTRIES, INC.	
DFTR	ORIG. DATE	ALL DIMENSIONS ARE IN MILLIMETERS	
CHKR		FIRST USED	
P.E.		04 G37C	
M.E.		UNSPECIFIED TOLERANCES ARE:	
DSNR		MATERIAL:	
		WHOLE DIM (X)	: 3
		ONE-PLACE (X.X)	:
		TWO-PLACE (X.XX)	:
		ANGLE	:
THIRD ANGLE PROJECTION		DO NOT SCALE DRAWING	
		TITLE: WATER SYSTEM INSTL	
SHEET 1 OF 1		PART NO 145768	

(X-X)
FOR
WATER
CALLOUTS
SEE DWG NO
116230-01-000



DROP-ELL - SHOWER
135028-02-CHT
SPACER
130041-03-CHT

(N-1)

617
SHOWER HEAD-W/HOSE & BRKT
129390-03-CHT

FAUCET
98419-01-000 (2)

(43A) FAUCET
144596-01-CHT
144593-03-CHT

FAUCET-LAV, SGL CTRL
128997-01-CHT (WIN)
141490-01-CHT (ITA)
SPACER
105218-01-CHT

BREAKER-VACUUM
125697-04-000
CHECK VALVE
125697-03-000
MUST BE MOUNTED
ABOVE TOILET
FLOOD LEVEL

BRACKET
131551-01-CHT

(WIN) FAUCET-GALLEY, SGL CONTROL
141432-01-CHT
(ITA) 123744-03-CHT
137079-02-01A

FAUCET
103635-01-000

(TU-9)
370

(TU-5)
475

(T-24)
15U

(TU-5)
100 (15U)

(V-14)
15U

(TU-5)
105 (15U)

FILTER
87200-01-000
CARTRIDGE
87200-02-000
SCREW
667-10-12U (2)

VIEW B

FAUCET
144596-01-CHT
144596-02-CHT

VIEW C
(43H)

(TU10)
1400

(R-3)
5

(TU-9)
1425

(TU10)
390

(R-3)
5

(TU-9)
1500

(TU10)
1500

(TU-9)
345

(T-20)

(S-1)

(T-22)

(T-22)

(TU-9)
1720

(E-20)

(TU-9)
165

(TU-9)
840

(TU-9)
2410

(E-23)

(TU-9)
1720

(TU10)
2625

TO REFRIGERATOR

(15U) (1-1)
2

(15U) (1-2)
2

(TU-5)
4200 (15U)

(WIN) (ITA) (E-20)

(ITA) (TU-9)
30

(E-20) (ITA)

(TU-9)
180 (WIN)

(ITA) (A-11)

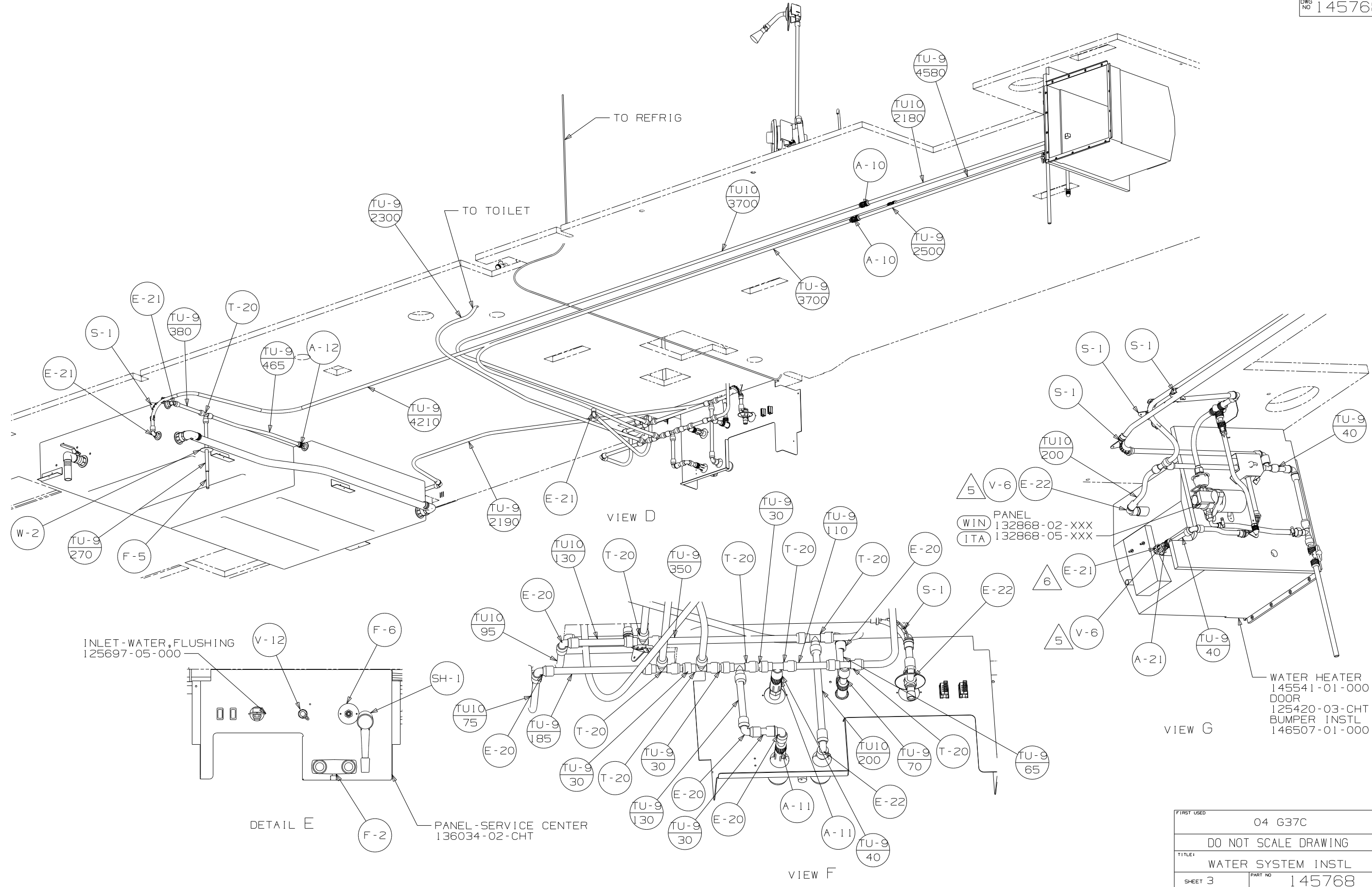
(TU-9)
85 (ITA)

TO TOILET

TO TOILET

VIEW A

FIRST USED	04 G37C
TITLE	DO NOT SCALE DRAWING
TITLE	WATER SYSTEM INSTL
SHEET 2	PART NO 145768



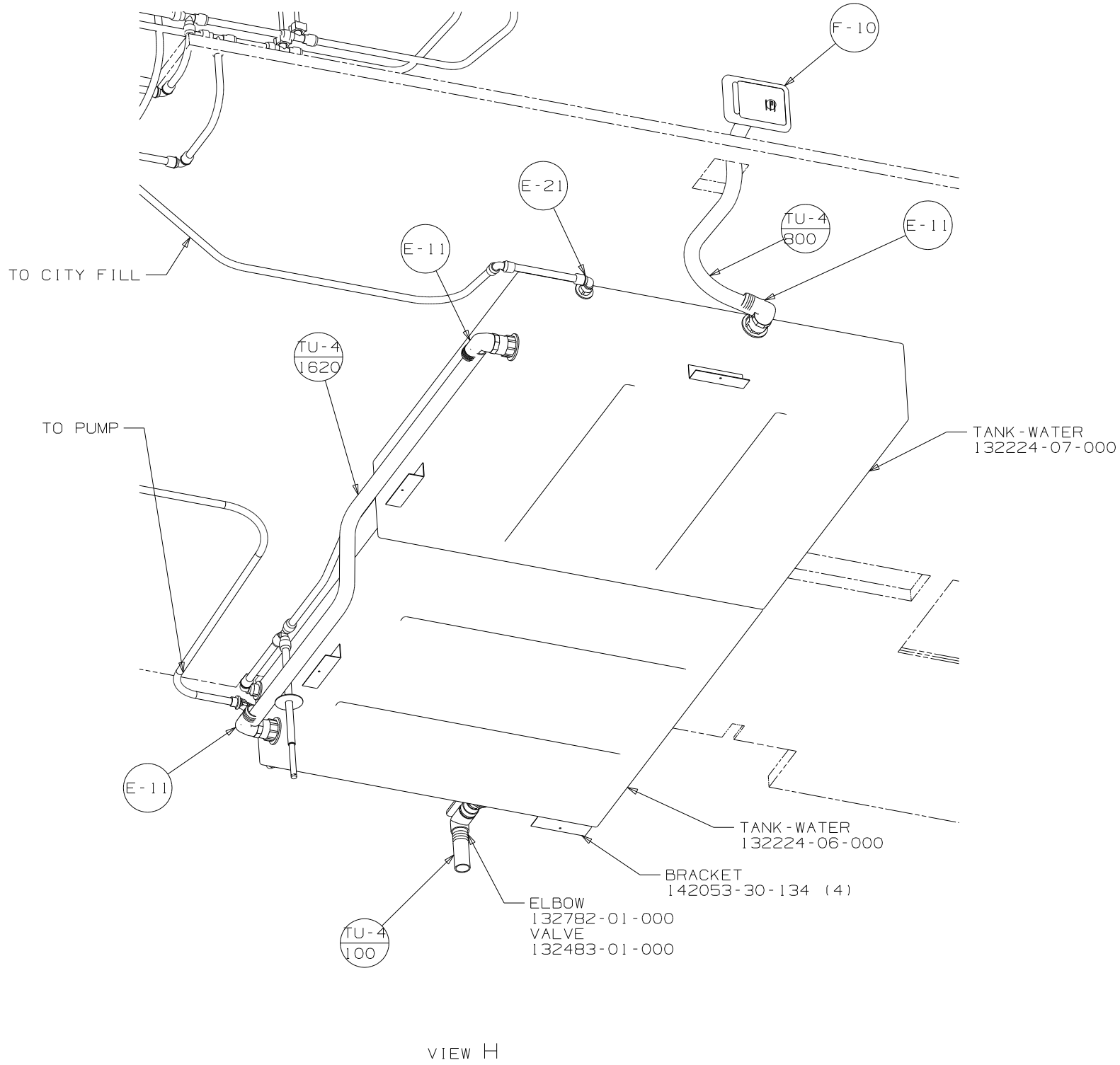
5 V-6 E-22
 WIN PANEL 132868-02-XXX
 ITA 132868-05-XXX

WATER HEATER
 14541-01-000
 DOOR
 125420-03-CHT
 BUMPER INSTL
 146507-01-000

INLET - WATER, FLUSHING
 125697-05-000

PANEL - SERVICE CENTER
 136034-02-CHT

FIRST USED	04 G37C
TITLE	DO NOT SCALE DRAWING
TITLE	WATER SYSTEM INSTL
SHEET 3	PART NO 145768



FIRST USED	04 G37C
TITLE	DO NOT SCALE DRAWING
	WATER SYSTEM INSTL
SHEET 4	PART NO 145768