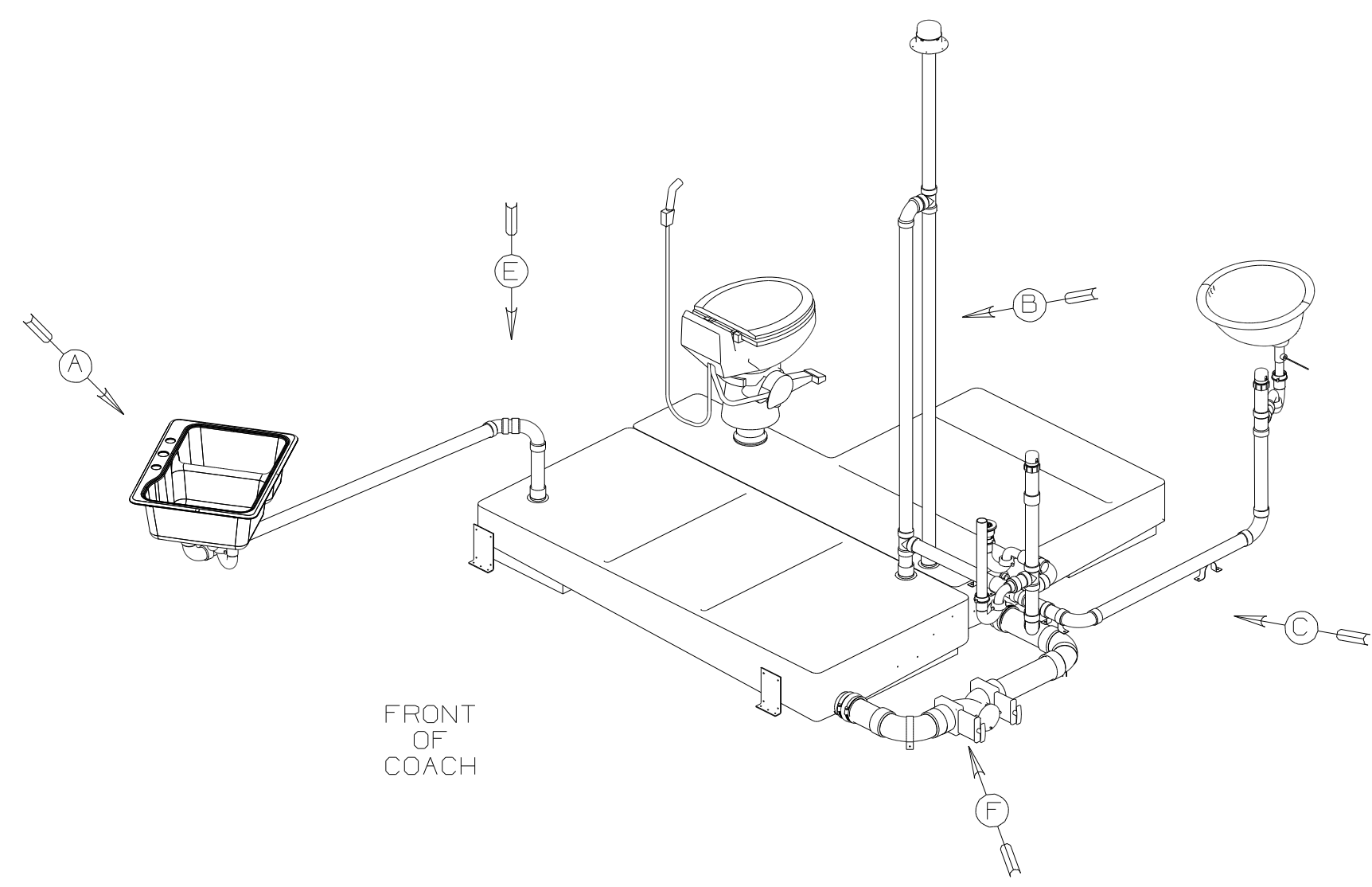


DWG NO	----
147360-01	(WIN)
147360-02	(ITA)

RELEASE	REV DATE	DWG NO	147360
REV ZONE	REVISION RECORD	DATE	DFTR-ORIG



FRONT
OF
COACH

- (WIN) WINNEBAGO ONLY
- (ITA) ITASCA ONLY
- (43M) TOILET PORCELAIN-ELONGATED
- (43Q) TOILET-PORCELAIN
- (1B1) CODES/STANDARDS USA
- (265) CODES/STANDARDS-CSA/CMVSS
- (21M) WASHER/DRYER PREP
- (54E) WASHER/DRYER

6 VENT PIPE MUST PROJECT 51 MIN AND 64 MAX ABOVE ROOF FOR PROPER FIT AND FUNCTION.

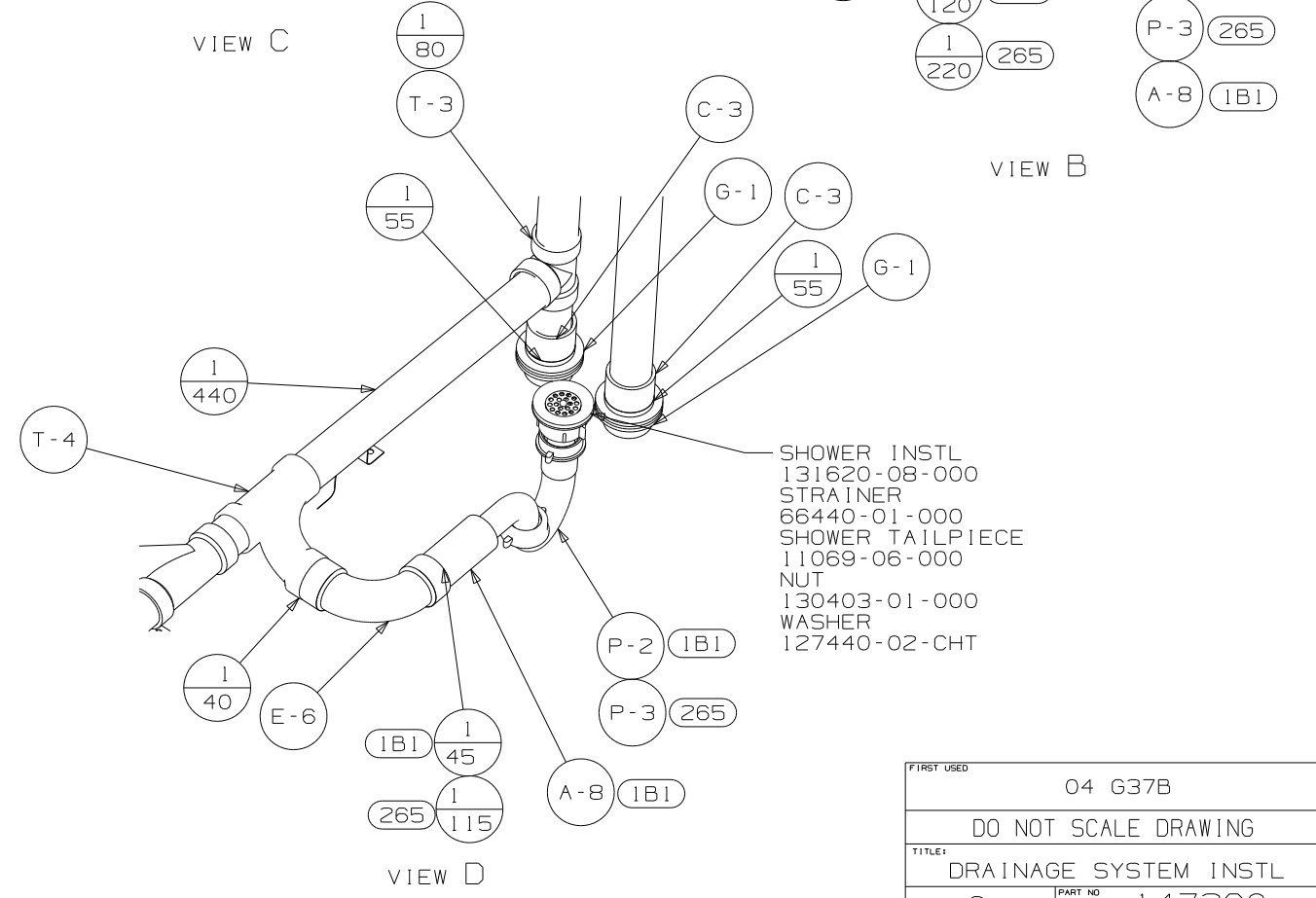
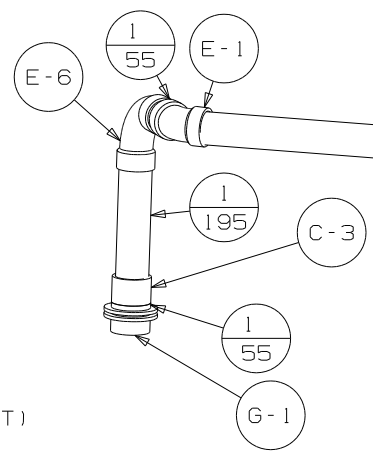
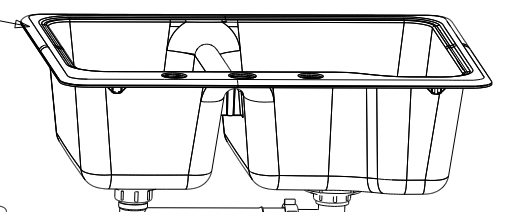
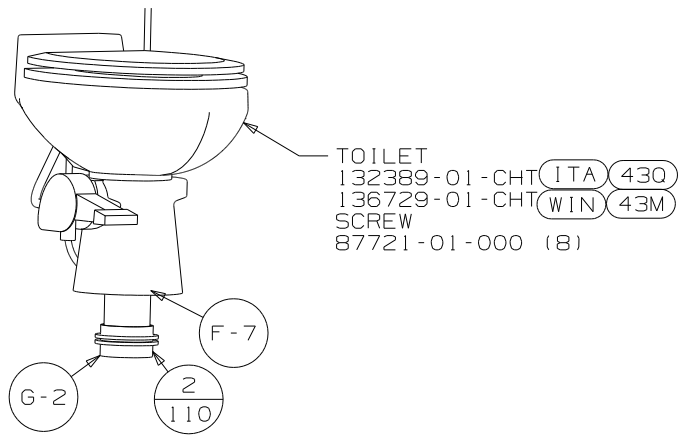
5. SEAL AROUND SHOWER WITH SILICONE.
4. ALL EXTERIOR OPENINGS AROUND PIPE TO BE SEALED WITH 131264-03-000.
3. ALL PIPE AND FITTINGS TO BE ASSEMBLED WITH SOLVENT 4020-01-000.
2. SLOPE OF TRAP ARM MUST BE 6 PER 305 mm.
1. SLOPE OF HORIZONTAL PIPING TO BE MIN 3 PER 305 mm.

NOTES:

(X-X)
FOR
DRAINAGE
CALLOUTS
SEE DWG NO
116229-01-000

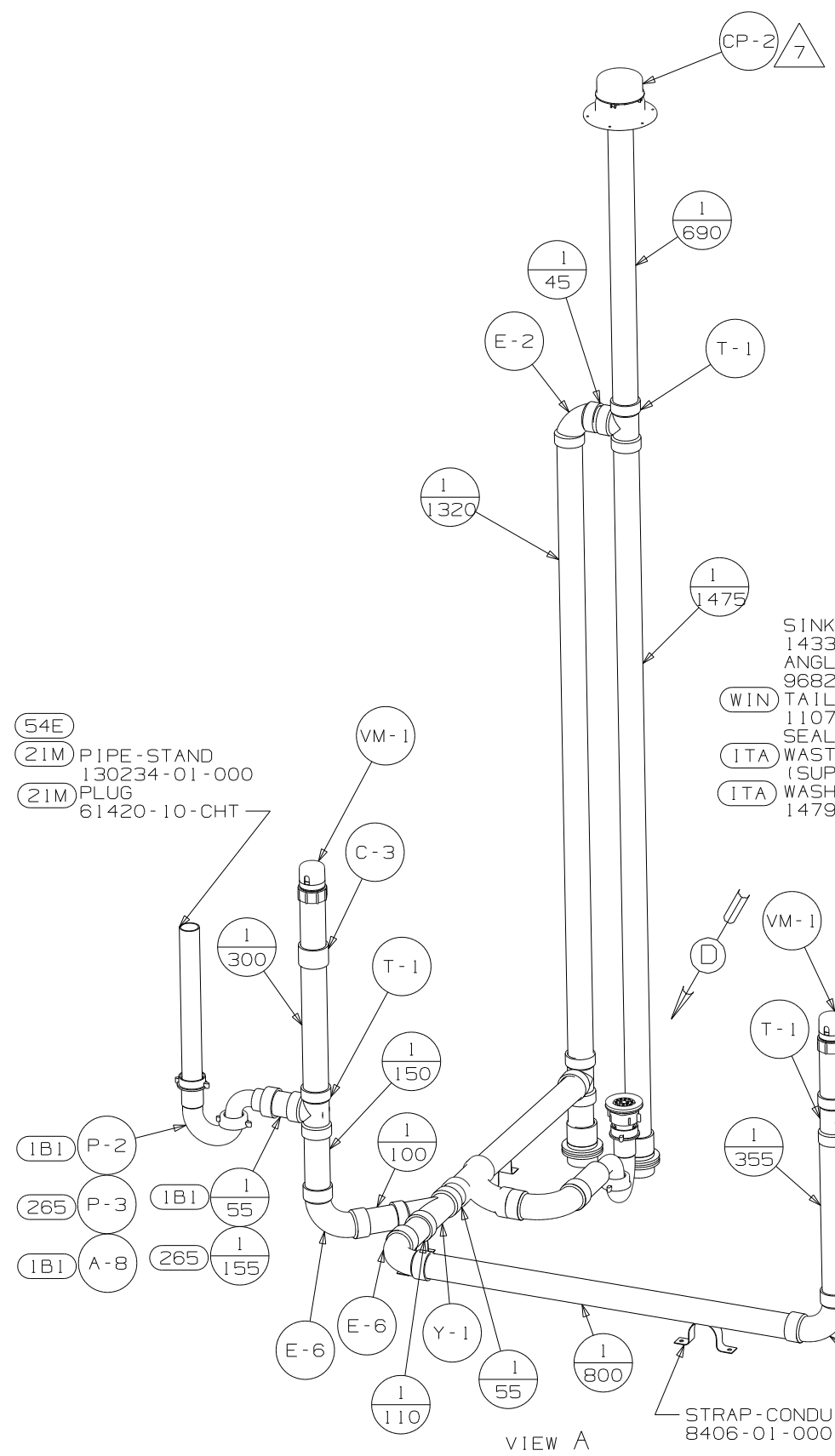
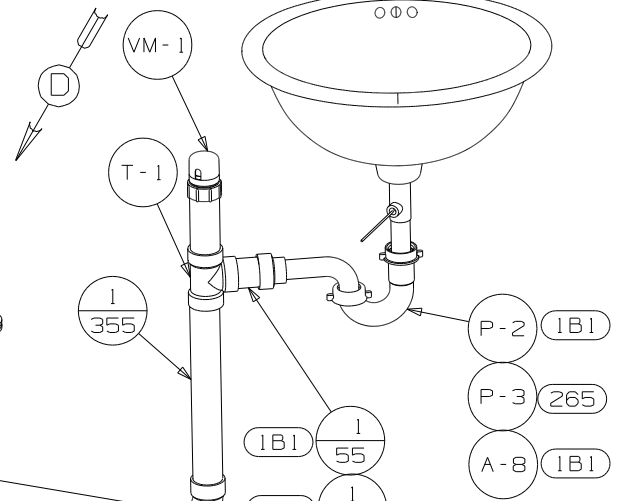
WINNEBAGO		COPYRIGHT 2004 WINNEBAGO INDUSTRIES, INC.	
DFTR	ORIG. DATE	ALL DIMENSIONS ARE IN MILLIMETERS	
CHKR		FIRST USED	
P.E.		04 G37B	
M.E.		UNSPECIFIED TOLERANCES ARE:	
DSNR		MATERIAL:	
		WHOLE DIM (X)	: 7
		ONE-PLACE (X.X)	:
		TWO-PLACE (X.XX)	:
		ANGLE	:
		THIRD ANGLE PROJECTION	
DO NOT SCALE DRAWING			
TITLE: DRAINAGE SYSTEM INSTL			
SHEET 1 OF 3	PART NO	147360	
REF:144545 1 4/16/2004			

- SINK-SMC, DBL L/S BASIN
- 148870-01-CHT (US/CAN)
- STRAINER
- 92303-01-000 (2)
- ANGLE
- 140002-01-CHT (10)
- SCREW
- G67-01-08B (8)
- WASHER
- 127440-02-CHT (2)
- SEAL (A/R)



- SHOWER INSTL
- 131620-08-000
- STRAINER
- 66440-01-000
- SHOWER TAILPIECE
- 11069-06-000
- NUT
- 130403-01-000
- WASHER
- 127440-02-CHT

- SINK-LAV
- 143310-01-CHT
- ANGLE
- 96826-01-CHT (5)
- WIN TAILPIECE
- 110760-04-CHT
- SEAL (A/R)
- ITA WASTE ASM (SUPPLIED W/FAUCET)
- ITA WASHER FOAM
- 147930-01-000

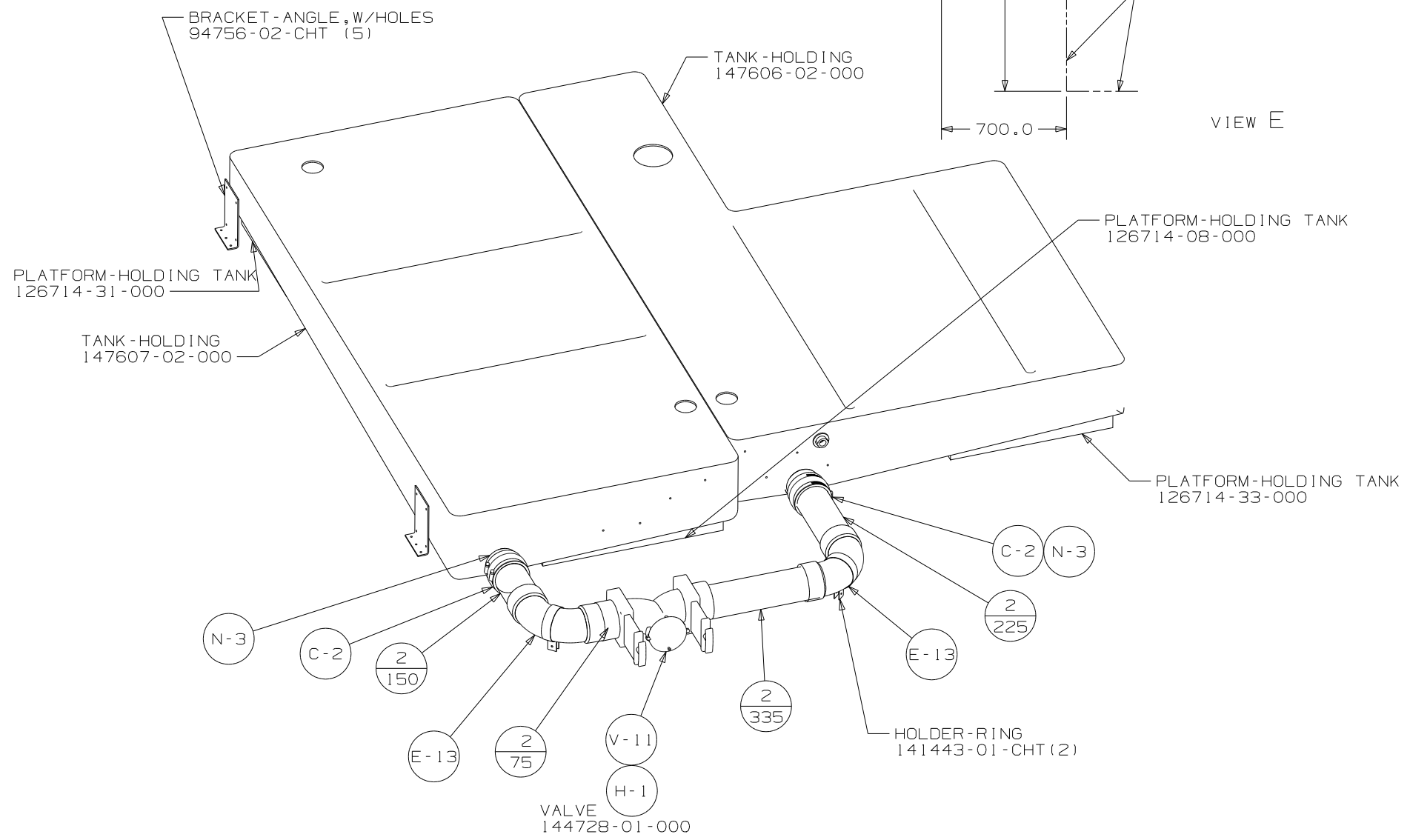
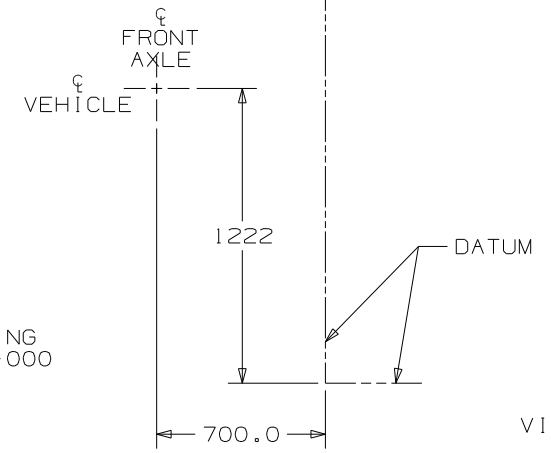
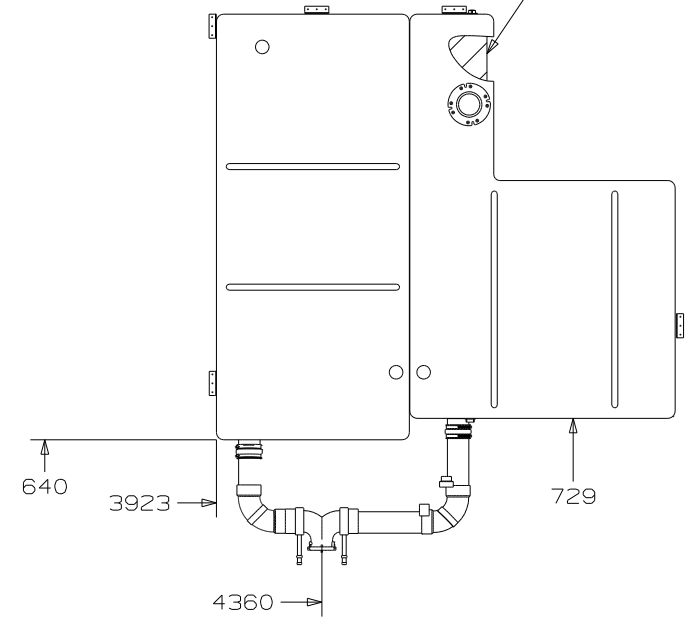


- 54E
- 21M PIPE-STAND
- 130234-01-000
- 21M PLUG
- 61420-10-CHT

STRAP-CONDUIT, 2"
 8406-01-000 (3)

FIRST USED	04 G37B
DO NOT SCALE DRAWING	
TITLE	DRAINAGE SYSTEM INSTL
SHEET 2	PART NO 147360

PLATFORM
126714-32-000

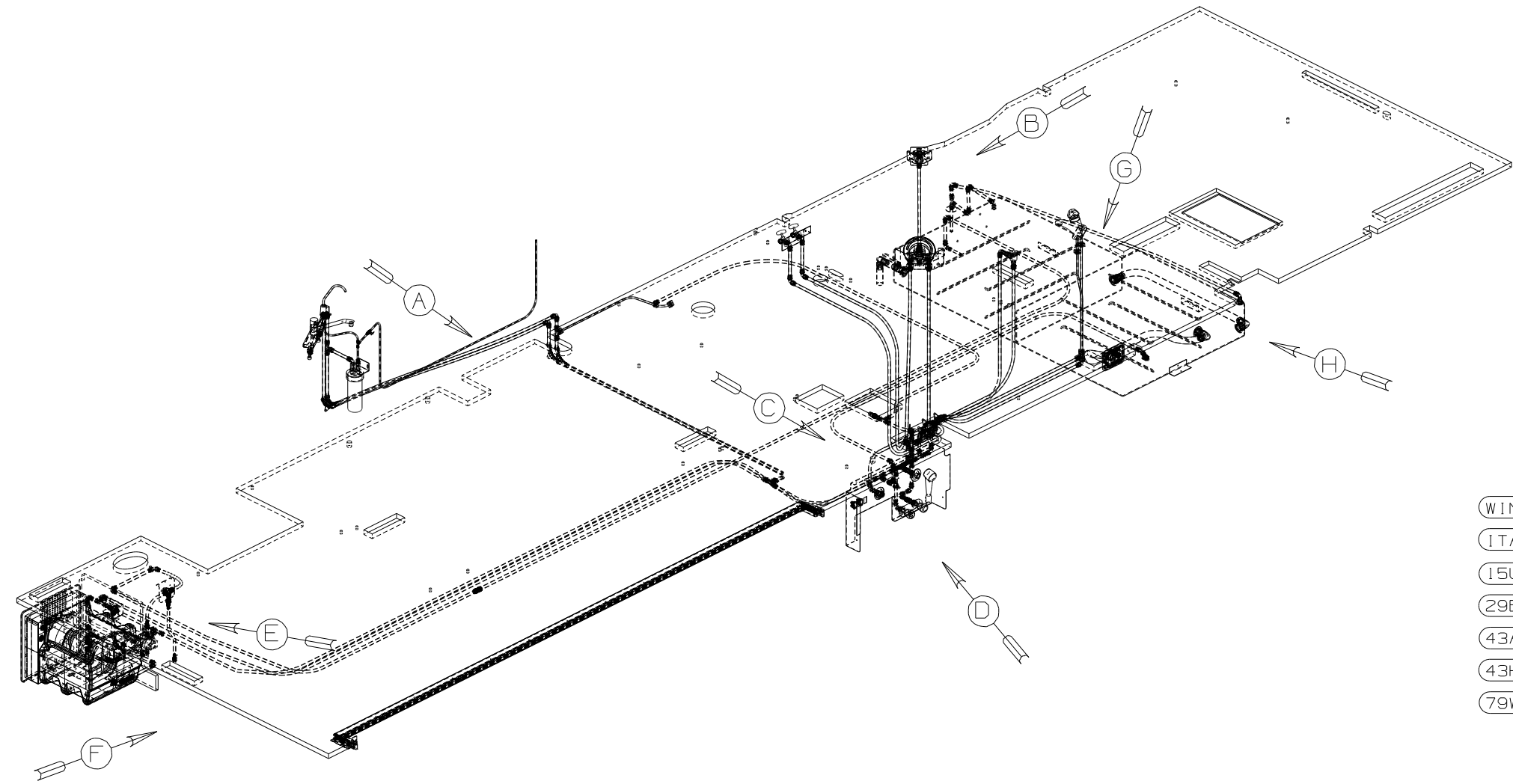


VIEW F

FIRST USED	04 G37B
DO NOT SCALE DRAWING	
TITLE	DRAINAGE SYSTEM INSTL
SHEET 3	PART NO 147360

DWG NO	---
147362-01	(WIN)
147362-02	(ITA)

RELEASE	REV DATE	DWG NO
A		147362
REV ZONE	REVISION RECORD	DATE
		DFTR-ORIG



- (WIN) WINNEBAGO ONLY
- (ITA) ITASCA ONLY
- (15U) REFRIGERATOR/FRZR W/ICEMAKER
- (29B) WATER PURIFIER
- (43A) SHOWER HEAD-FIXED
- (43H) SHOWER HEAD-HAND HELD
- (79W) REFRIGERATOR 4-DOOR

- NOTES:
- 5 ADD TEFLON TAPE 10405-01-000.
 - 4 ADD TEFLON TAPE 10405-02-000.
 - 3. ALL TUBING TO BE SECURED AT 1200 INTERVALS MAXIMUM WITH CLAMP 10495-01-000 OR CLIP 9151-01-000 AND SCREW 667-10-12B.
 - 2. TUBING TO BE INSTALLED WITH SUFFICIENT SLOPE TO PROVIDE DRAINAGE TO NEAREST VALVE.
 - 1. PLASTIC FITTINGS TO BE SEALED WITH SEALANT 84456-01-000.

(X-X)
FOR
WATER
CALLOUTS
SEE DWG NO
116230-01-000

WINNEBAGO		COPYRIGHT 2004 WINNEBAGO INDUSTRIES, INC.	
DFTR	ORIG. DATE	ALL DIMENSIONS ARE IN MILLIMETERS	
CHKR		FIRST USED	
P.E.		04 G37B	
M.E.		UNSPECIFIED TOLERANCES ARE:	
DSNR		MATERIAL:	
		WHOLE DIM (X) :	7
		ONE-PLACE (X.X) :	<input checked="" type="checkbox"/>
		TWO-PLACE (X.XX) :	<input checked="" type="checkbox"/>
		ANGLE :	<input checked="" type="checkbox"/>
		THIRD ANGLE PROJECTION	<input checked="" type="checkbox"/>
DO NOT SCALE DRAWING			
TITLE: WATER SYSTEM INSTL			
SHEET 1 OF 4	PART NO	147362	
REF:144314 1 4/23/2004			

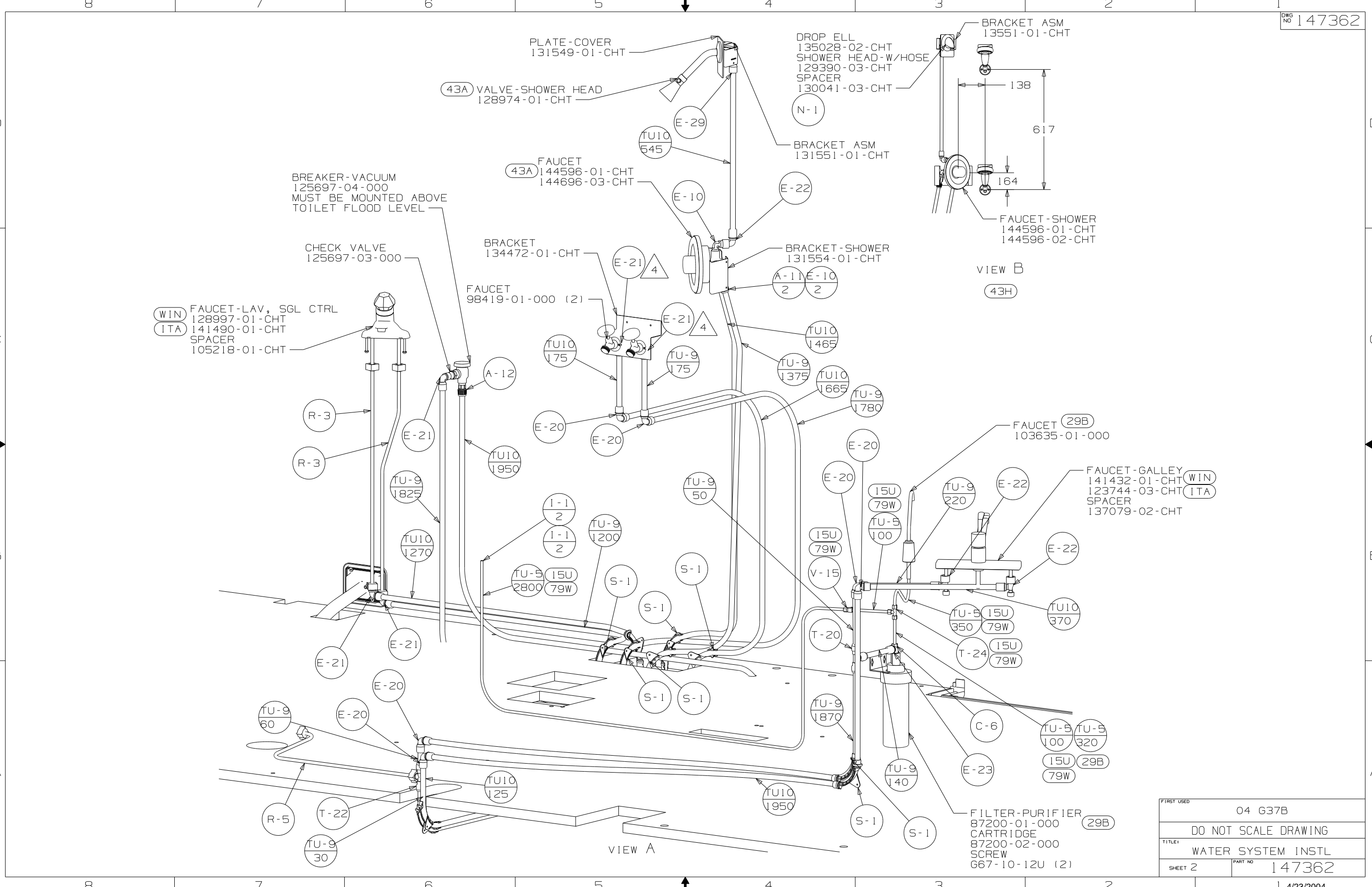


PLATE-COVER
131549-01-CHT

(43A) VALVE-SHOWER HEAD
128974-01-CHT

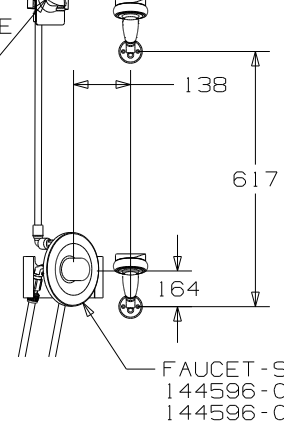
DROP ELL
135028-02-CHT
SHOWER HEAD-W/HOSE
129390-03-CHT
SPACER
130041-03-CHT

BRACKET ASM
13551-01-CHT

BREAKER-VACUUM
125697-04-000
MUST BE MOUNTED ABOVE
TOILET FLOOD LEVEL

(43A) FAUCET
144596-01-CHT
144696-03-CHT

BRACKET ASM
131551-01-CHT



VIEW B

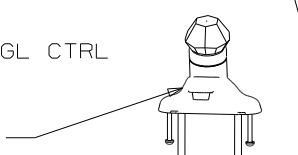
(43H)

(WIN) FAUCET-LAV, SGL CTRL
128997-01-CHT
(ITA) 141490-01-CHT
SPACER
105218-01-CHT

CHECK VALVE
125697-03-000

BRACKET
134472-01-CHT

BRACKET-SHOWER
131554-01-CHT



FAUCET
98419-01-000 (2)

TU10
175

TU-9
175

TU10
1465

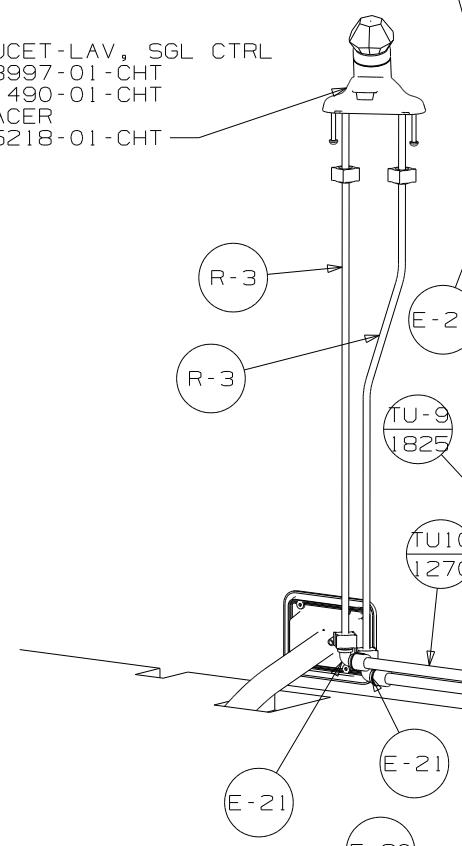
TU-9
1375

TU10
1665

TU-9
1780

FAUCET (29B)
103635-01-000

FAUCET-GALLEY (WIN) (ITA)
141432-01-CHT
123744-03-CHT
SPACER
137079-02-CHT



TU-9
1825

TU10
1270

1-1
2

1-1
2

TU-9
1200

TU-9
50

15U
79W

TU-5
100

V-15

TU-9
220

TU-5
15U
350
79W

T-24
15U
79W

TU-5
100

15U
79W

TU-5
320

TU-9
60

R-5

TU-9
30

TU10
125

VIEW A

TU10
1950

T-20

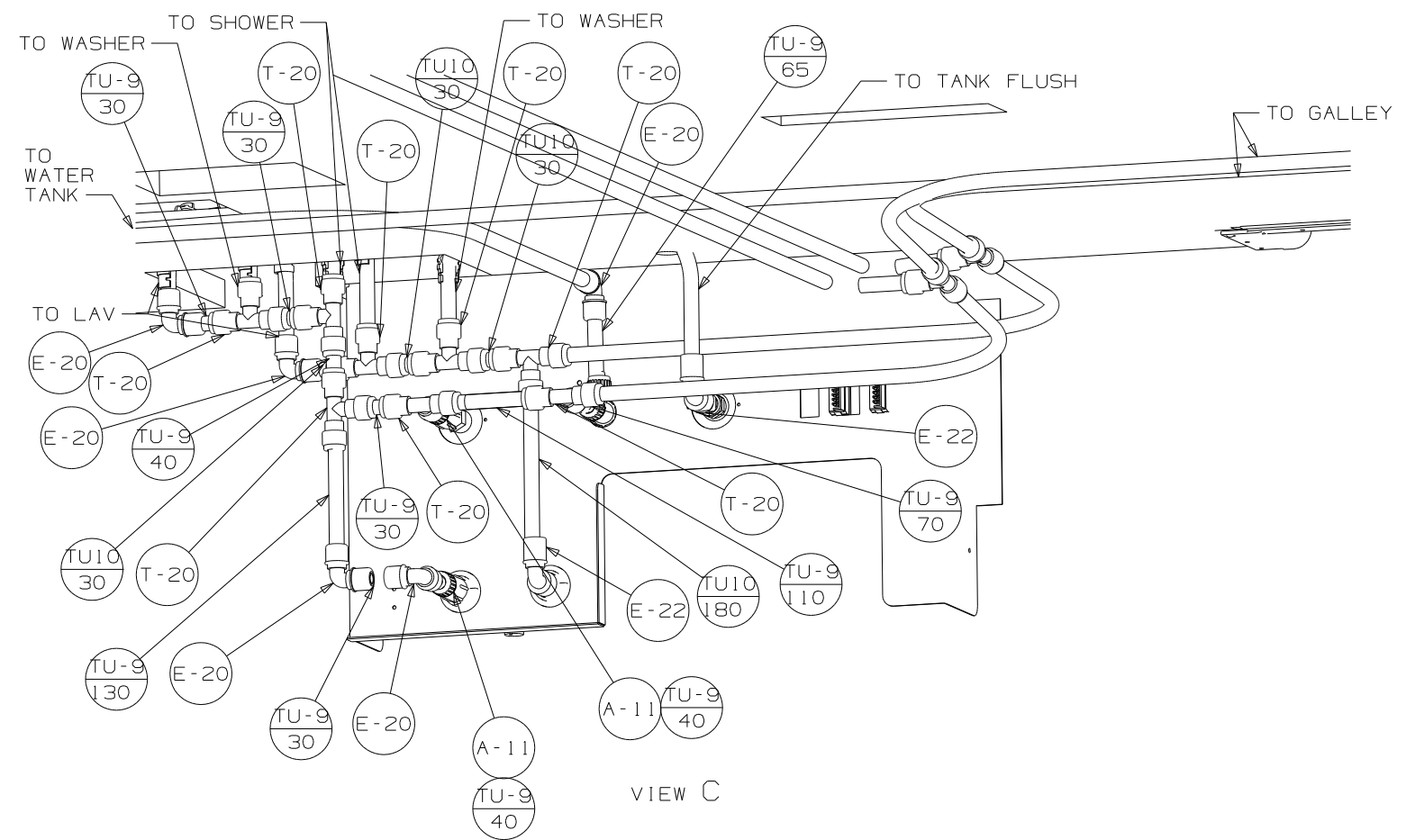
TU-9
1870

S-1

S-1

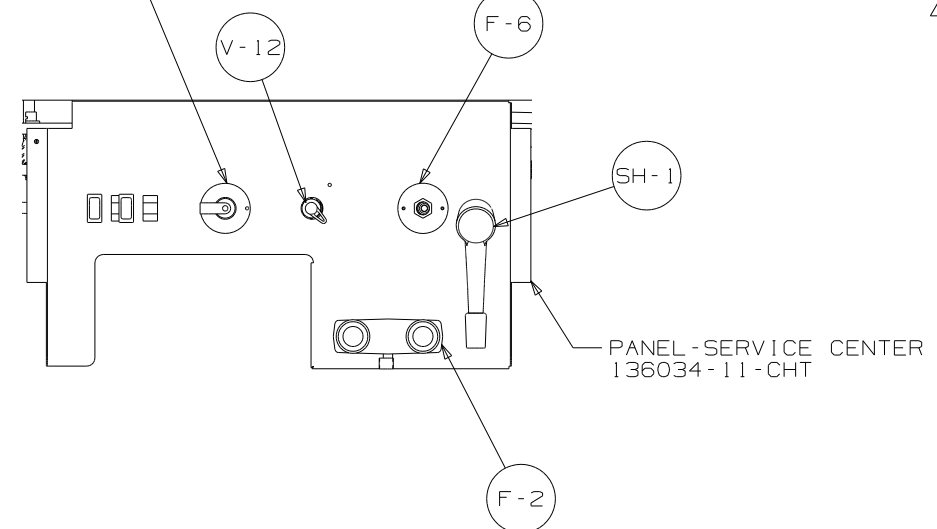
FILTER-PURIFIER (29B)
87200-01-000
CARTRIDGE
87200-02-000
SCREW
G67-10-12U (2)

FIRST USED	04 G37B
TITLE	DO NOT SCALE DRAWING
TITLE	WATER SYSTEM INSTL
SHEET 2	PART NO 147362

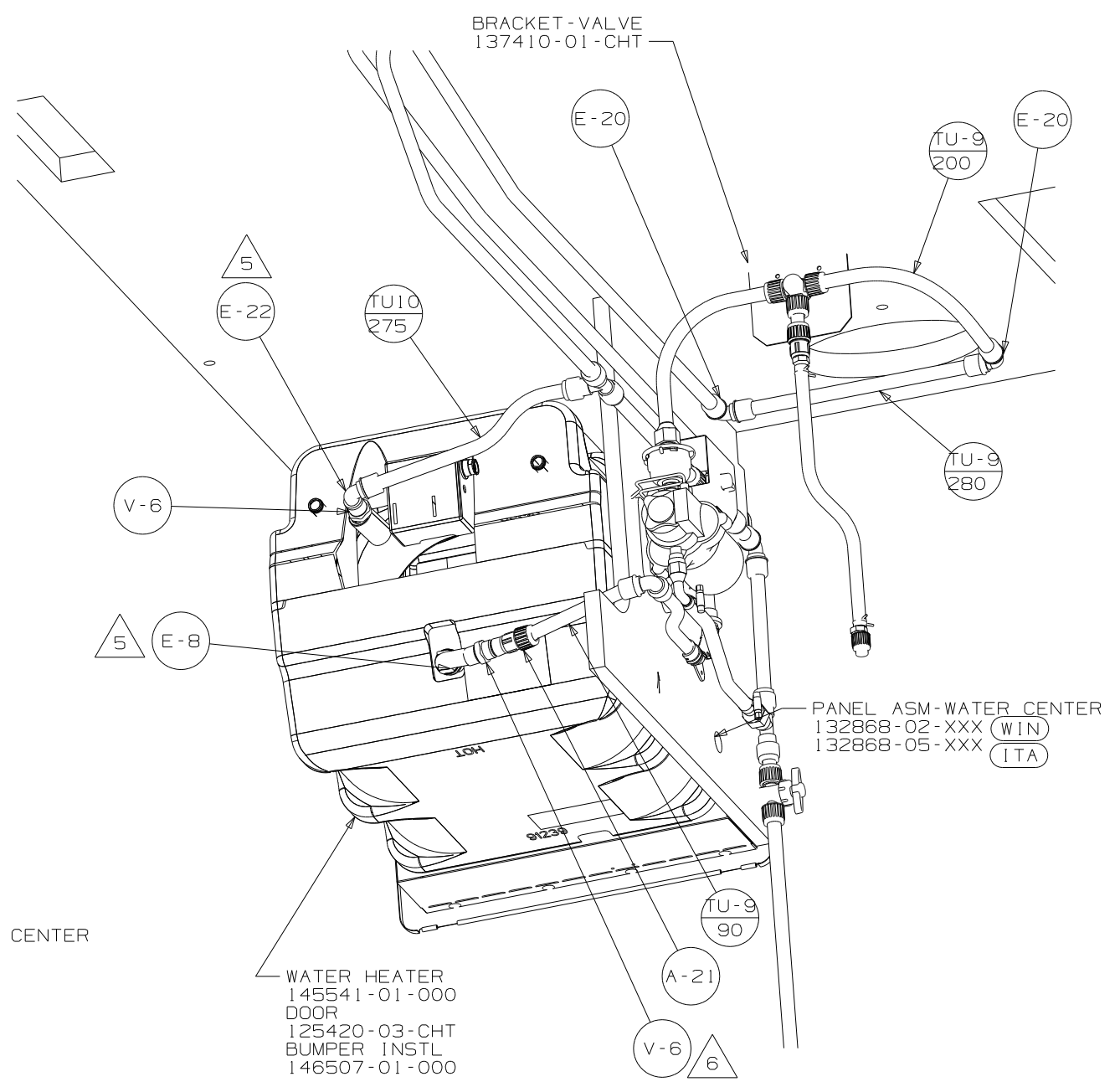


VIEW C

INLET-WATER, FLUSHING SYSTEM
125697-05-000

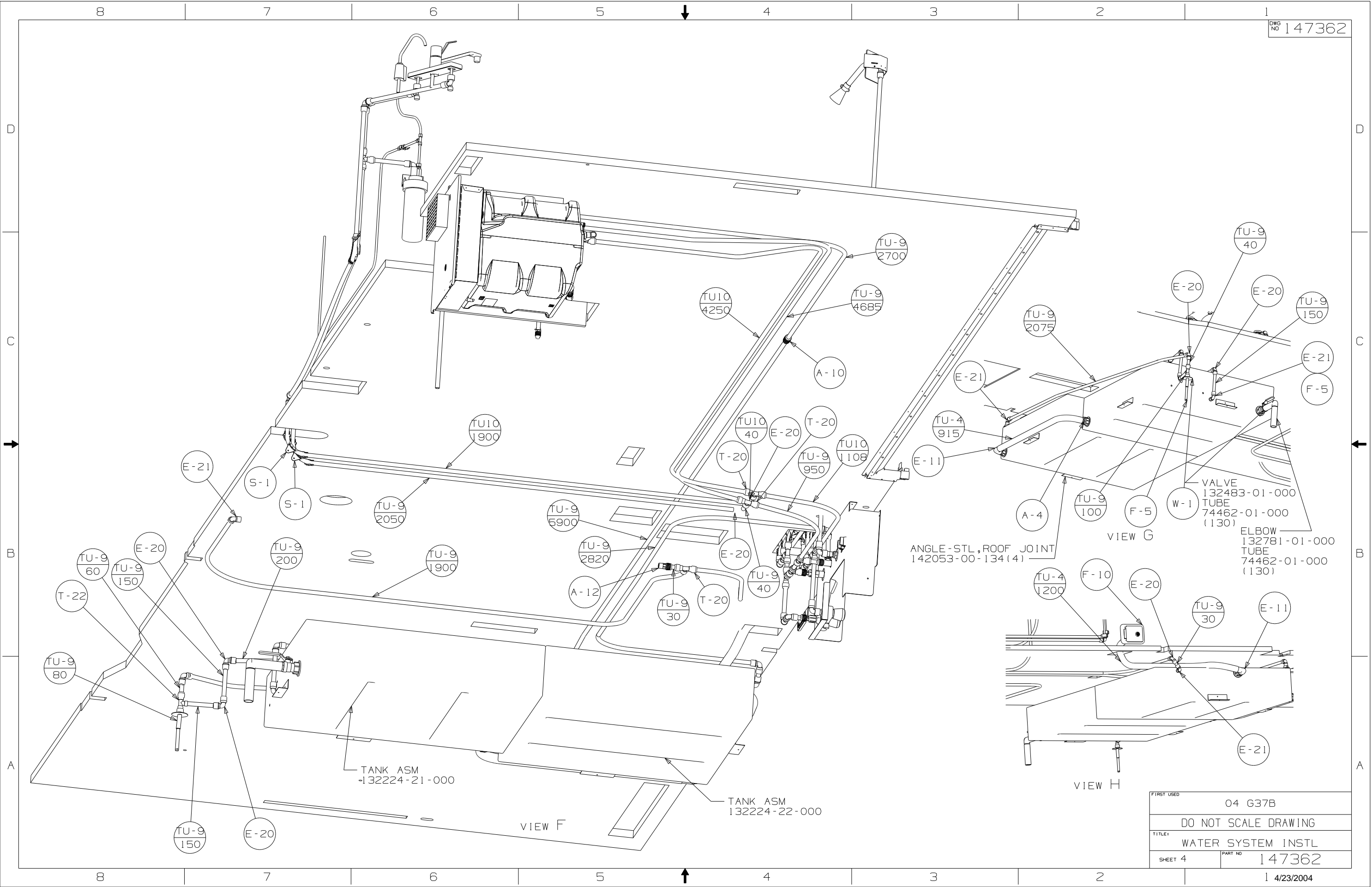


VIEW D



VIEW E

FIRST USED	04 G37B
TITLE	DO NOT SCALE DRAWING
	WATER SYSTEM INSTL
SHEET 3	PART NO 147362



VALVE
132483-01-000
TUBE
74462-01-000
(130)
ELBOW
132781-01-000
TUBE
74462-01-000
(130)

ANGLE-STL, ROOF JOINT
142053-00-134(4)

TANK ASM
132224-21-000

TANK ASM
132224-22-000

FIRST USED	04 G37B
TITLE	DO NOT SCALE DRAWING
TITLE	WATER SYSTEM INSTL
SHEET 4	PART NO 147362