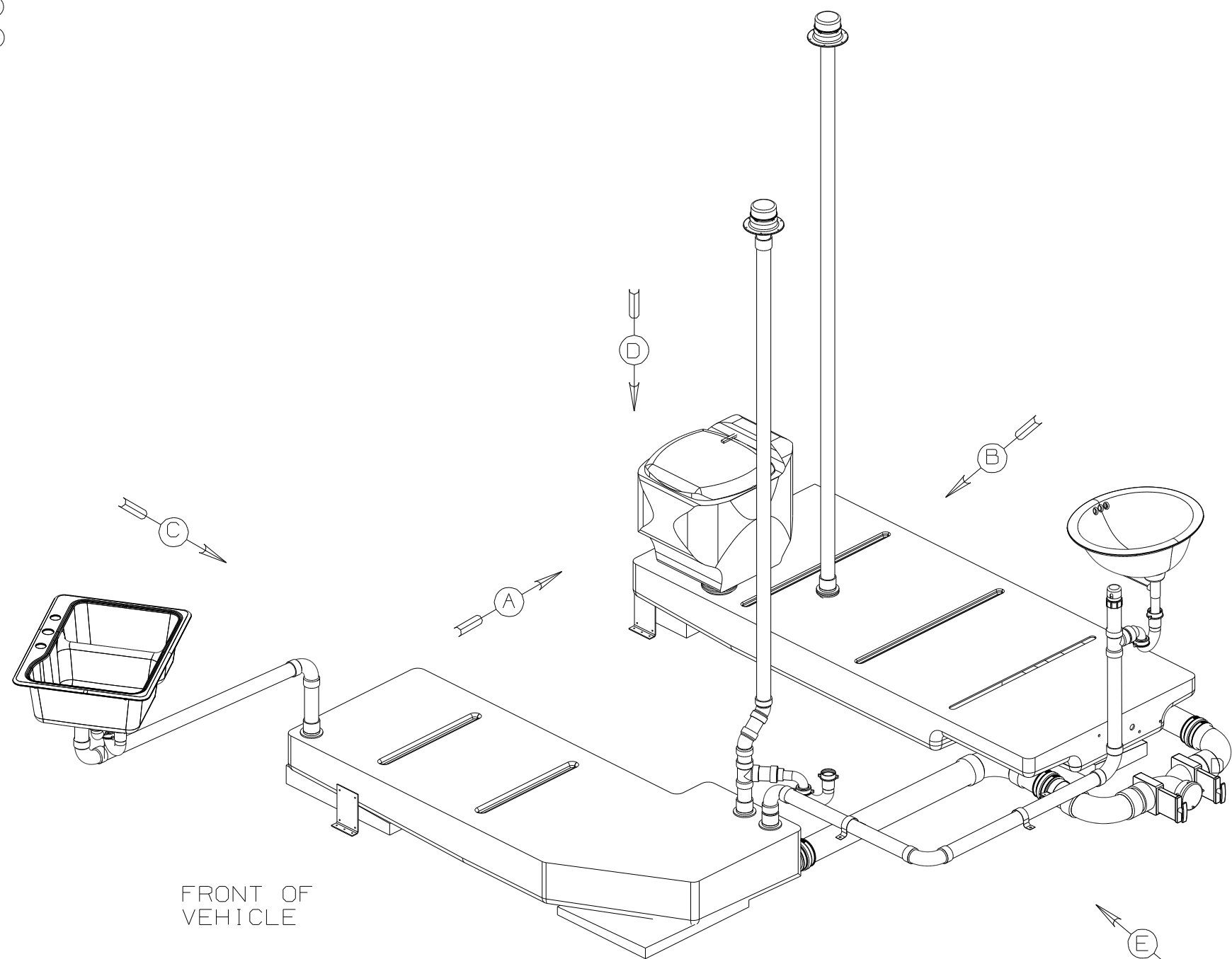


DWG NO	----
144545-01	(WIN)
144545-02	(ITA)

(43E)
(430)

RELEASE	REV DATE	DWG NO
A		144545
REV ZONE	REVISION RECORD	DATE
		DFTR-0016



FRONT OF VEHICLE

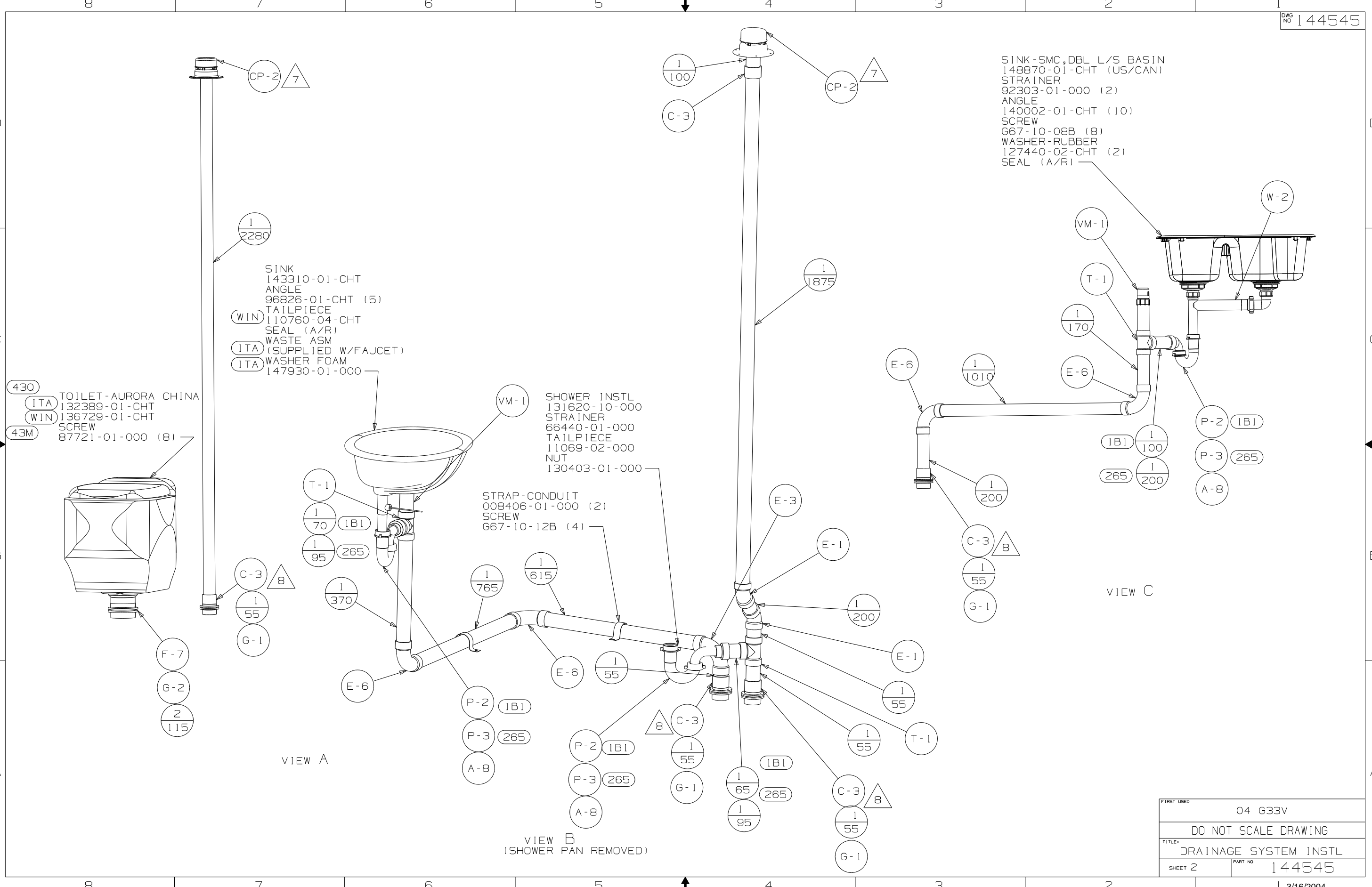
- (WIN) WINNEBAGO ONLY
- (ITA) ITASCA ONLY
- (265) CODES/STANDARDS-CSA/CMVSS
- (1B1) CODES/STANDARDS-USA
- (43Q) TOILET-PORCELAIN
- (43M) TOILET-PORCELAIN ELONGATED

- 8 SECURE VENT TUBES TO FLOOR WITH BRACKET 136878-01-CHT (3) CLAMP 62401-02-000 (3), SCREW G67-10-12B (3).
- 7 VENT PIPE MUST PROJECT 51 MIN AND 64 MAX ABOVE ROOF FOR PROPER FIT AND FUNCTION.
6. ROF CANADIAN UNITS EACH HOLDING TANK SHALL HAVE A CSA APPROVAL STAMPED NEAR THE IAMPO APPROVAL.
5. SEAL AROUND SHOWER WITH SILICONE.
4. ALL EXTERIOR OPENINGS AROUND PIPE TO BE SEALED WITH 100744-01-000.
3. ALL PIPE AND FITTINGS TO BE ASSEMBLED WITH SOLVENT 4020-01-000 (US), 4020-02-000 (CAN)..
2. SLOPE OF TRAP ARM MUST BE 6 PER 305 mm.
1. SLOPE OF HORIZONTAL PIPING TO BE 6 PER 305 mm.

NOTES:

(X-X)
FOR DRAINAGE CALLOUTS SEE DWG NO. 116229-01-000

WINNEBAGO		COPYRIGHT 2004 WINNEBAGO INDUSTRIES, INC.	
DFTR	ORIG. DATE	ALL DIMENSIONS ARE IN MILLIMETERS	
CHKR		FIRST USED	
P.E.		04 G33V	
M.E.		UNSPECIFIED TOLERANCES ARE:	
DSNR		MATERIAL:	
		WHOLE DIM (X)	: 3
		ONE-PLACE (X.X)	:
		TWO-PLACE (X.XX)	:
		ANGLE	:
		THIRD ANGLE PROJECTION	
DO NOT SCALE DRAWING			
TITLE: DRAINAGE SYSTEM INSTL			
SHEET 1 OF 3	PART NO	144545	
REF: 142656 1 3/16/2004			



SINK
 143310-01-CHT
 ANGLE
 96826-01-CHT (5)
 TAILPIECE
 110760-04-CHT
 SEAL (A/R)
 WASTE ASM
 (SUPPLIED W/FAUCET)
 WASHER FOAM
 147930-01-000

TOILET-AURORA CHINA
 132389-01-CHT
 136729-01-CHT
 SCREW
 87721-01-000 (8)

SHOWER INSTL
 131620-10-000
 STRAINER
 66440-01-000
 TAILPIECE
 11069-02-000
 NUT
 130403-01-000

STRAP-CONDUIT
 008406-01-000 (2)
 SCREW
 667-10-12B (4)

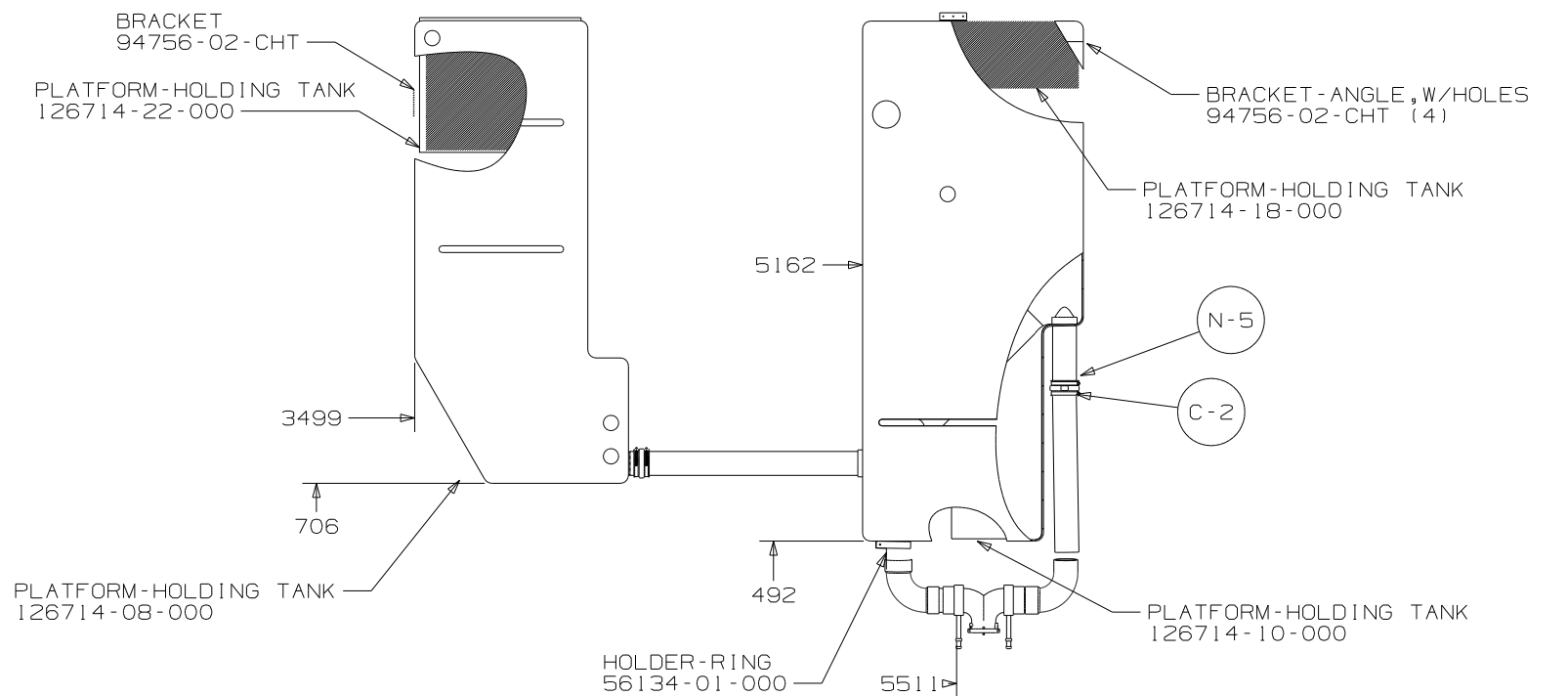
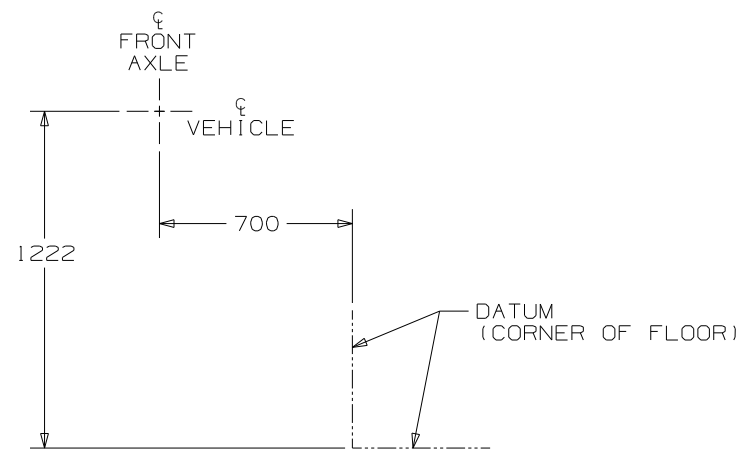
SINK-SMC, DBL L/S BASIN
 148870-01-CHT (US/CAN)
 STRAINER
 92303-01-000 (2)
 ANGLE
 140002-01-CHT (10)
 SCREW
 G67-10-08B (8)
 WASHER-RUBBER
 127440-02-CHT (2)
 SEAL (A/R)

VIEW A

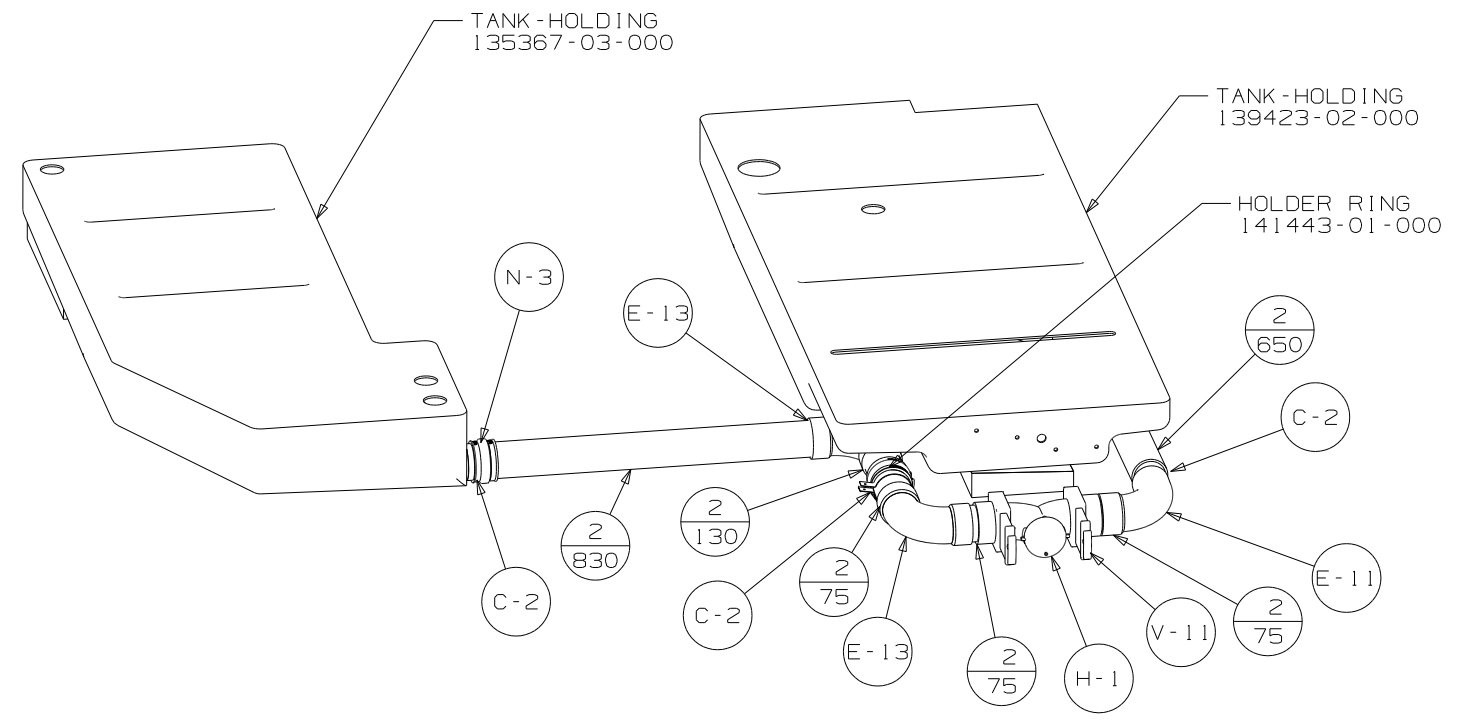
VIEW B
 (SHOWER PAN REMOVED)

VIEW C

FIRST USED	04 G33V
DO NOT SCALE DRAWING	
TITLE	DRAINAGE SYSTEM INSTL
SHEET 2	PART NO 144545



VIEW D



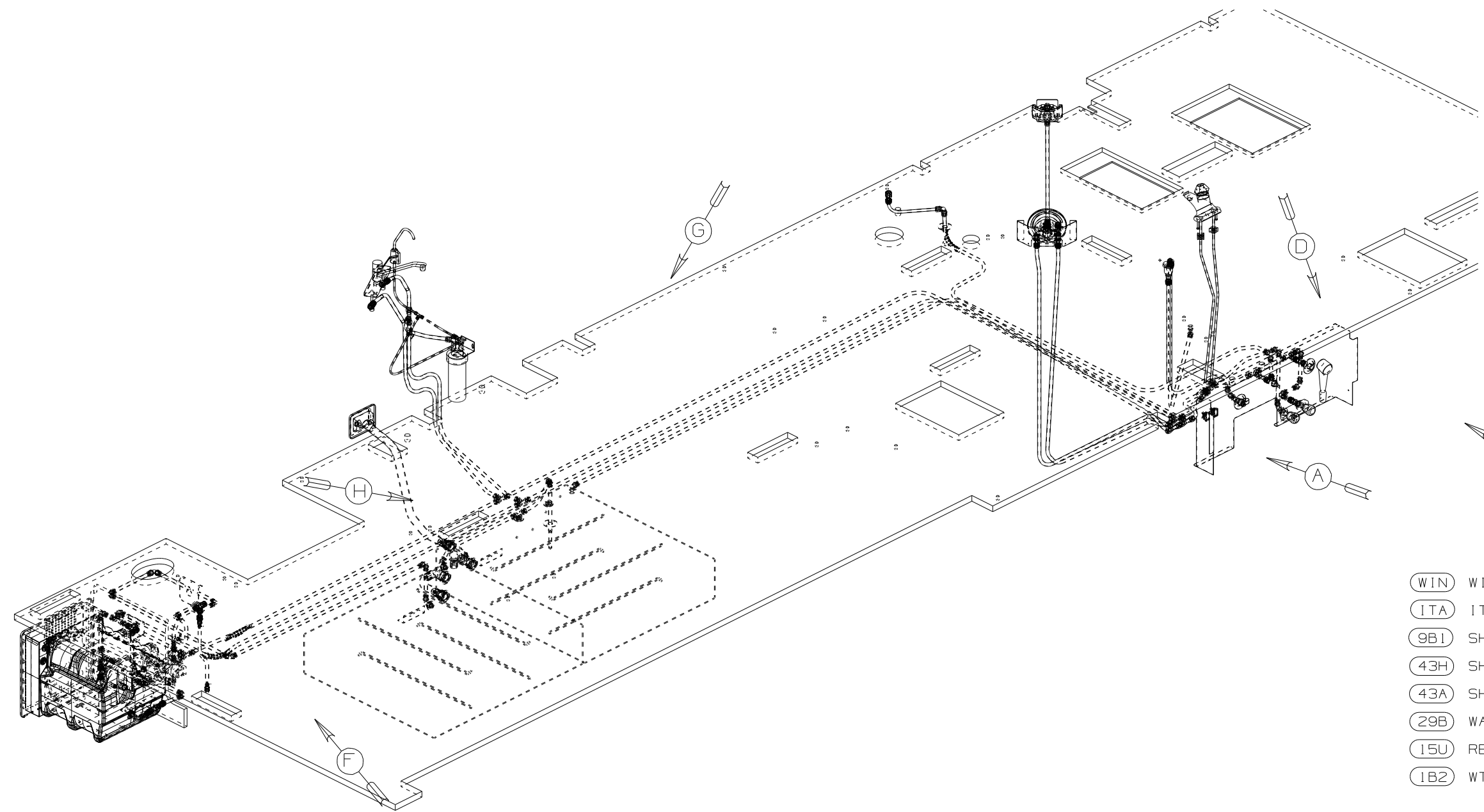
VIEW E

- VALVE - SEWER 144728-01-000
- CLAMP - HOSE 062401-09-000
- LABEL - DRIP VALVE 147845-01-CHT

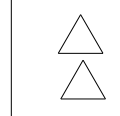
FIRST USED	04 G33V
DO NOT SCALE DRAWING	
TITLE	DRAINAGE SYSTEM INSTL
SHEET 3	PART NO 144545

DWG NO	----
144552-01	(WIN)
144552-02	(ITA)

RELEASE	REV DATE	DWG NO
A		144552
REV ZONE	REVISION RECORD	DATE DFR-ORIG



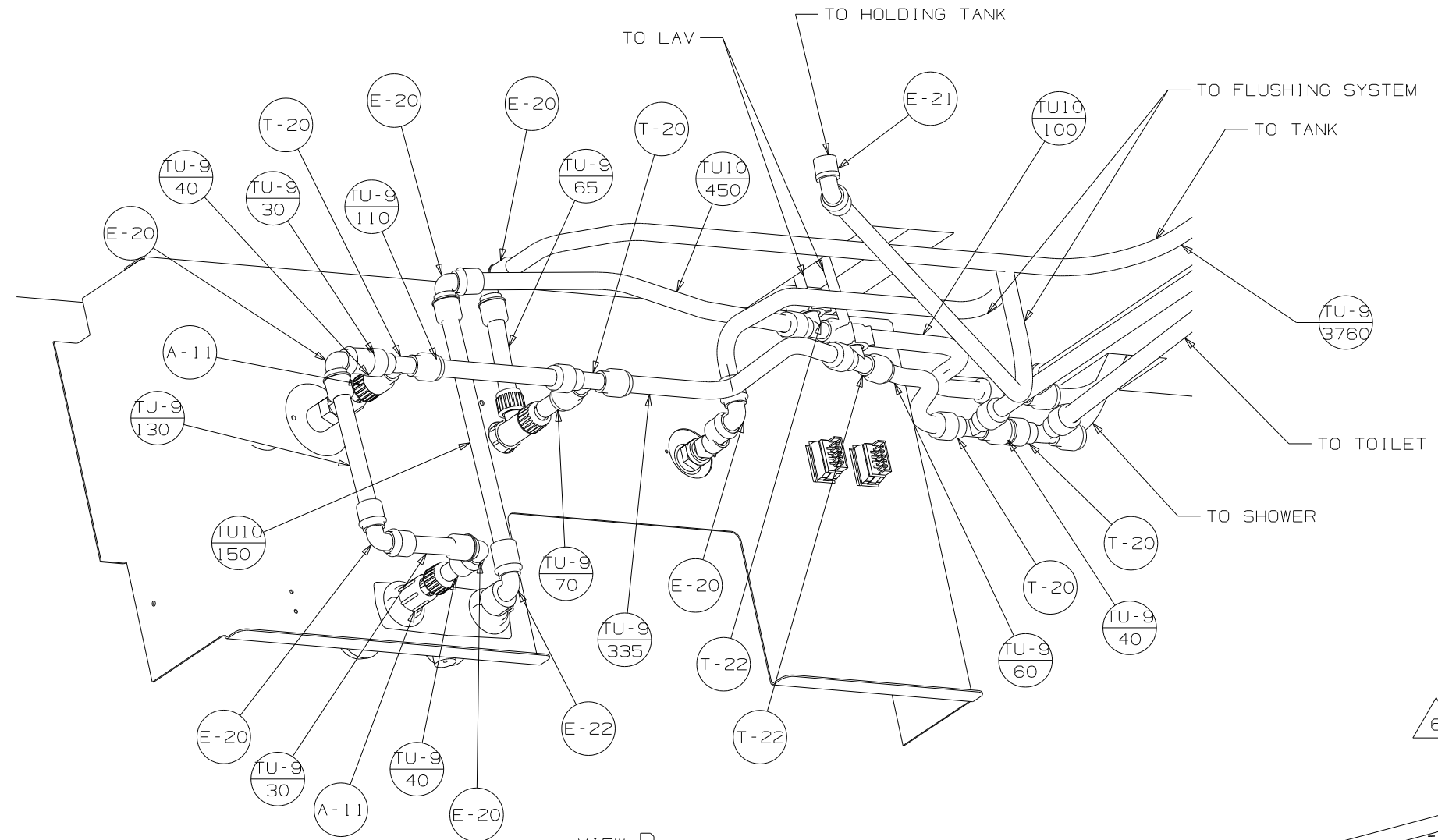
- (WIN) WINNEBAGO ONLY
- (ITA) ITASCA ONLY
- (9B1) SHOWER PACKAGE
- (43H) SHOWER HEAD-HAND HELD
- (43A) SHOWER HEAD-FIXED
- (29B) WATER PURIFIER
- (15U) REFRIGERATOR/FRZR W/ICEMAKER
- (IB2) WTR HTR-10 GAL/ELEC/LP/MTR AID



NOTES:

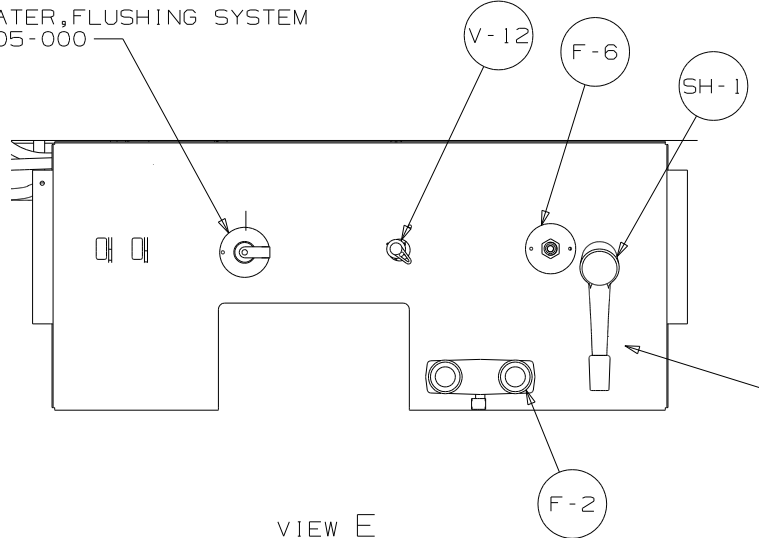
(X-X)
FOR
WATER
CALLOUTS
SEE DWG NO
116230-01-000

WINNEBAGO		COPYRIGHT 2004 WINNEBAGO INDUSTRIES, INC.	
DFTR	ORIG. DATE	ALL DIMENSIONS ARE IN MILLIMETERS	
CHKR		FIRST USED	
P.E.		04 G33V	
M.E.		UNSPECIFIED TOLERANCES ARE:	
DSNR		MATERIAL:	
		WHOLE DIM (X)	: 7
		ONE-PLACE (X.X)	:
		TWO-PLACE (X.XX)	:
		ANGLE	:
THIRD ANGLE PROJECTION		DO NOT SCALE DRAWING	
TITLE: WATER SYSTEM INSTL			
SHEET 1 OF 4		PART NO 144552	
REF: 142655 1 3/17/2004			



VIEW D

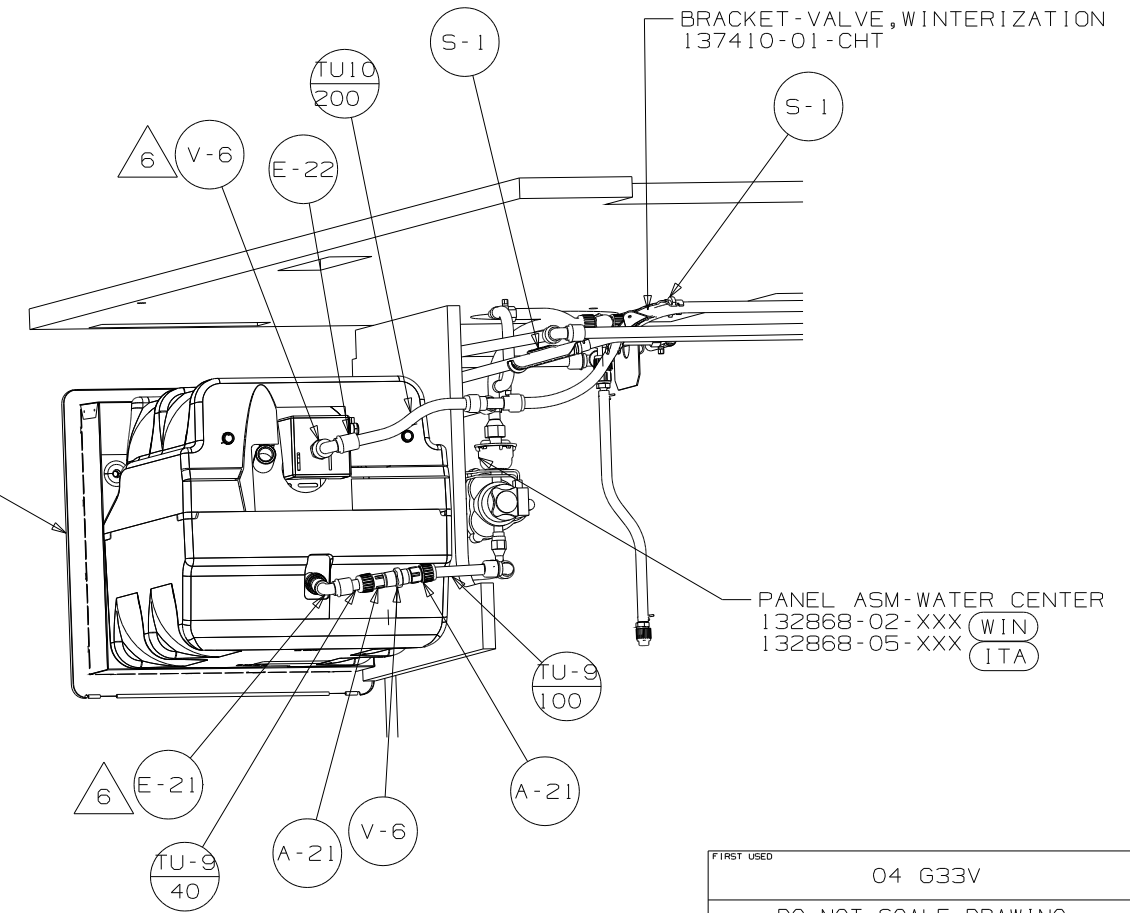
INLET-WATER, FLUSHING SYSTEM
125697-05-000



VIEW E

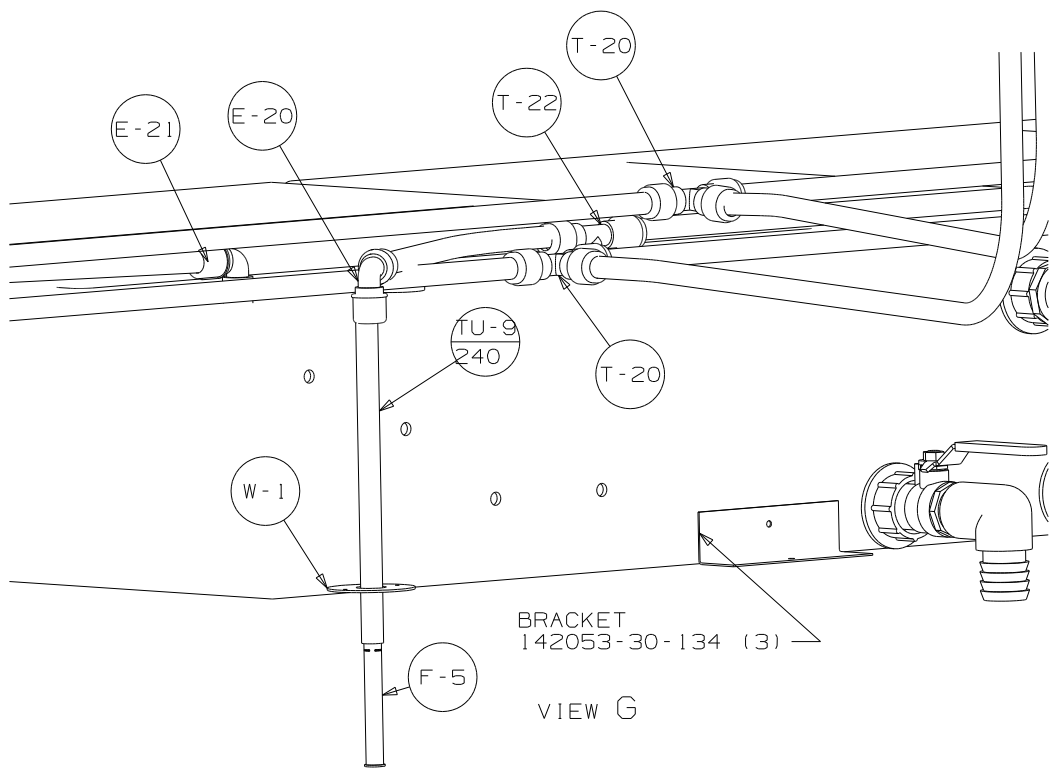
PANEL - SERVICE CENTER
136034-02-CHT

WATER HEATER
145541-01-000
DOOR
125420-03-CHT
BUMPER INSTL
146507-01-000

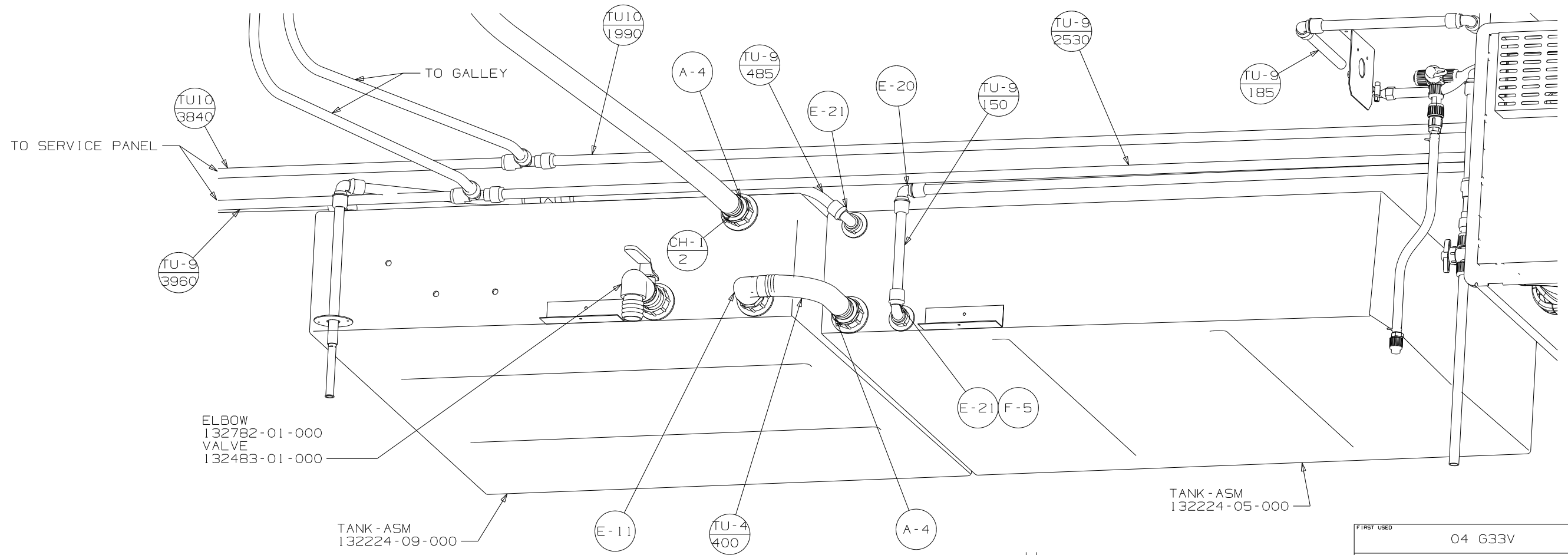


VIEW F

FIRST USED	04 G33V
TITLE	DO NOT SCALE DRAWING
SHEET 3	PART NO 144552
1 3/17/2004	



VIEW G



VIEW H

FIRST USED	04 G33V
TITLE	DO NOT SCALE DRAWING
SHEET 4	PART NO 144552
1 3/17/2004	