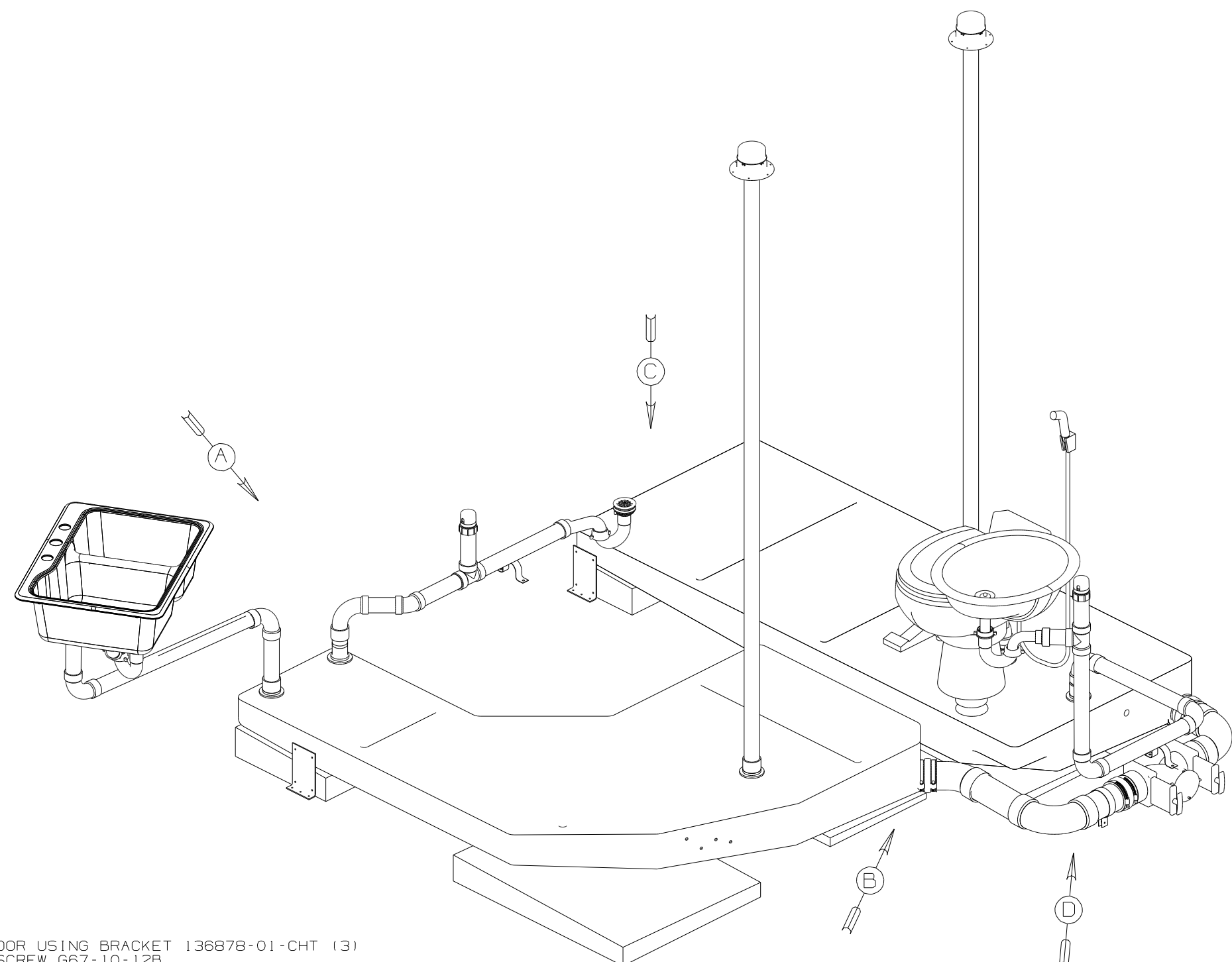


DWG NO	----
147230-01	(WIN)
147230-02	(ITA)

RELEASE	REV DATE	DWG NO
A		147230
REV ZONE	REVISION RECORD	DATE



- (WIN) WINNEBAGO ONLY
- (ITA) ITASCA ONLY
- (IB1) CODES/STANDARDS-USA
- (265) CODES/STDS-CSA/CMVSS
- (43E) TOILET-PORCELAIN ROUND
- (430) TOILET-PORCELAIN

- NOTES:
7. SECURE VENT TUBES TO FLOOR USING BRACKET 136878-01-CHT (3) CLAMP 62401-02-000 (3) SCREW G67-10-12B
  6. VENT PIPE MUST PROECT 51 MIN AND 64 MAX ABOVE ROOF FOR PROPER FIT AND FUNCTION.
  5. SEAL AROUND SHOWER WITH SILICONE.
  4. ALL EXTERIOR OPENINGS AROUND PIPE TO BE SEALED WITH 110744-01-000.
  3. ALL PIPE AND FITTINGS TO BE ASSEMBLED WITH SOLVENT 4020-01-000.
  2. SLOPE OF TRAP ARM MUST BE 6 PER 305 mm.
  1. SLOPE OF HORIZONTAL PIPING TO BE MIN 3 PER 305 mm.

(X-X)  
FOR DRAINAGE CALLOUTS SEE DWG NO 116229-01-000

<b>WINNEBAGO</b>		COPYRIGHT 2004 WINNEBAGO INDUSTRIES, INC.	
DFT	ORIG. DATE	ALL DIMENSIONS ARE IN MILLIMETERS	
CHKR		FIRST USED	
P.E.		04 G31Y	
M.E.		UNSPECIFIED TOLERANCES ARE:	
DSNR		MATERIAL:	
		WHOLE DIM (X)	: 3
		ONE-PLACE (X.X)	:
		TWO-PLACE (X.XX)	:
		ANGLE	:
		THIRD ANGLE PROJECTION	
DO NOT SCALE DRAWING			
TITLE: DRAINAGE SYSTEM INSTL			
SHEET 1 OF 3	PART NO	147230	

8

7

6

5

4

3

2

1

D

D

C

C

B

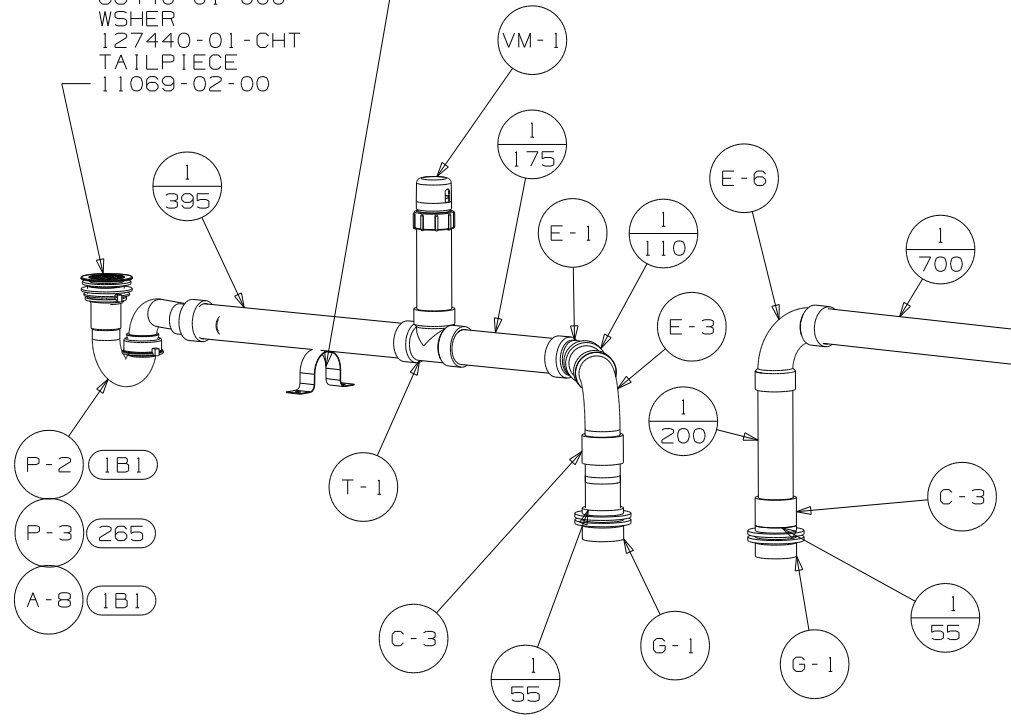
B

A

A

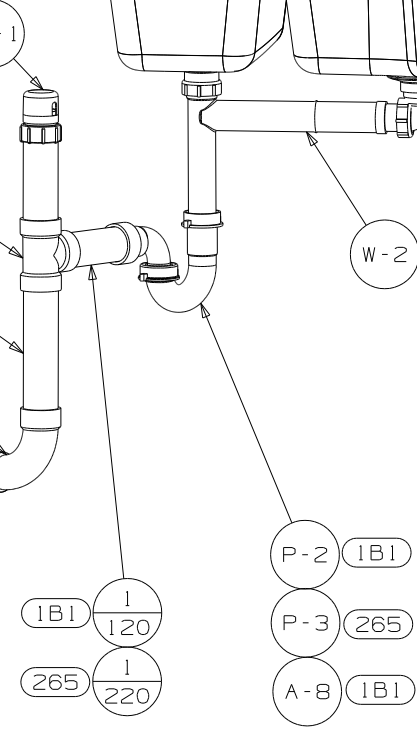
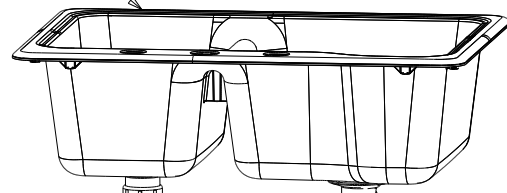
SHOWER INSTL  
 134582-03-000  
 STRAINER  
 66440-01-000  
 WSHR  
 127440-01-CHT  
 TAILPIECE  
 11069-02-00

STRAP-CONDUIT, 2"  
 8406-01-000 (2)



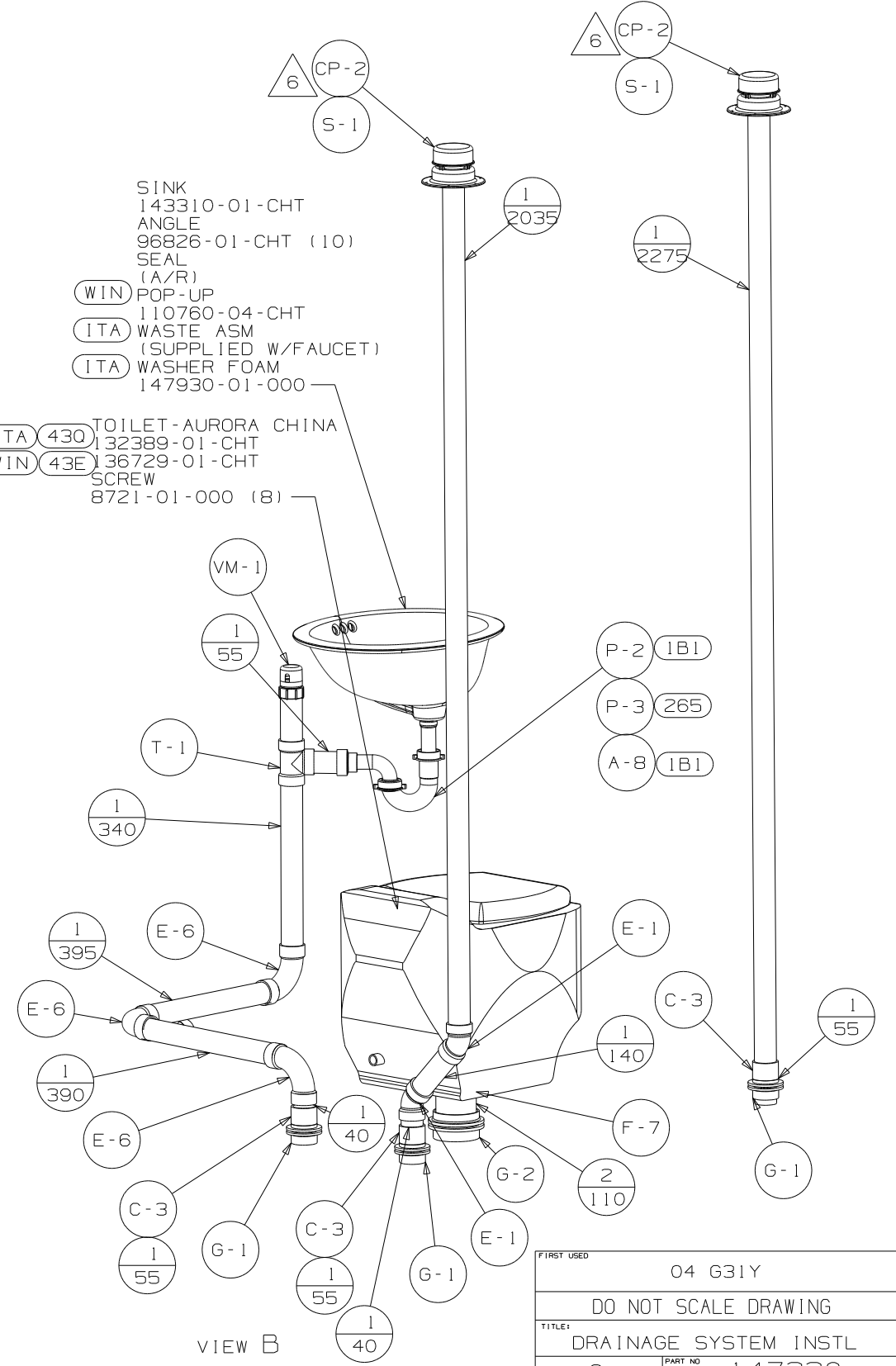
VIEW A

SINK-SMC, DBL L/S BASIN  
 148870-01-CHT  
 STRAINER  
 92303-01-000 (2)  
 ANGLE  
 140002-01-CHT (10)  
 SCREW  
 G67-10-08B (8)  
 WASHER  
 127440-02-CHT (2)  
 SEAL  
 (A/R)



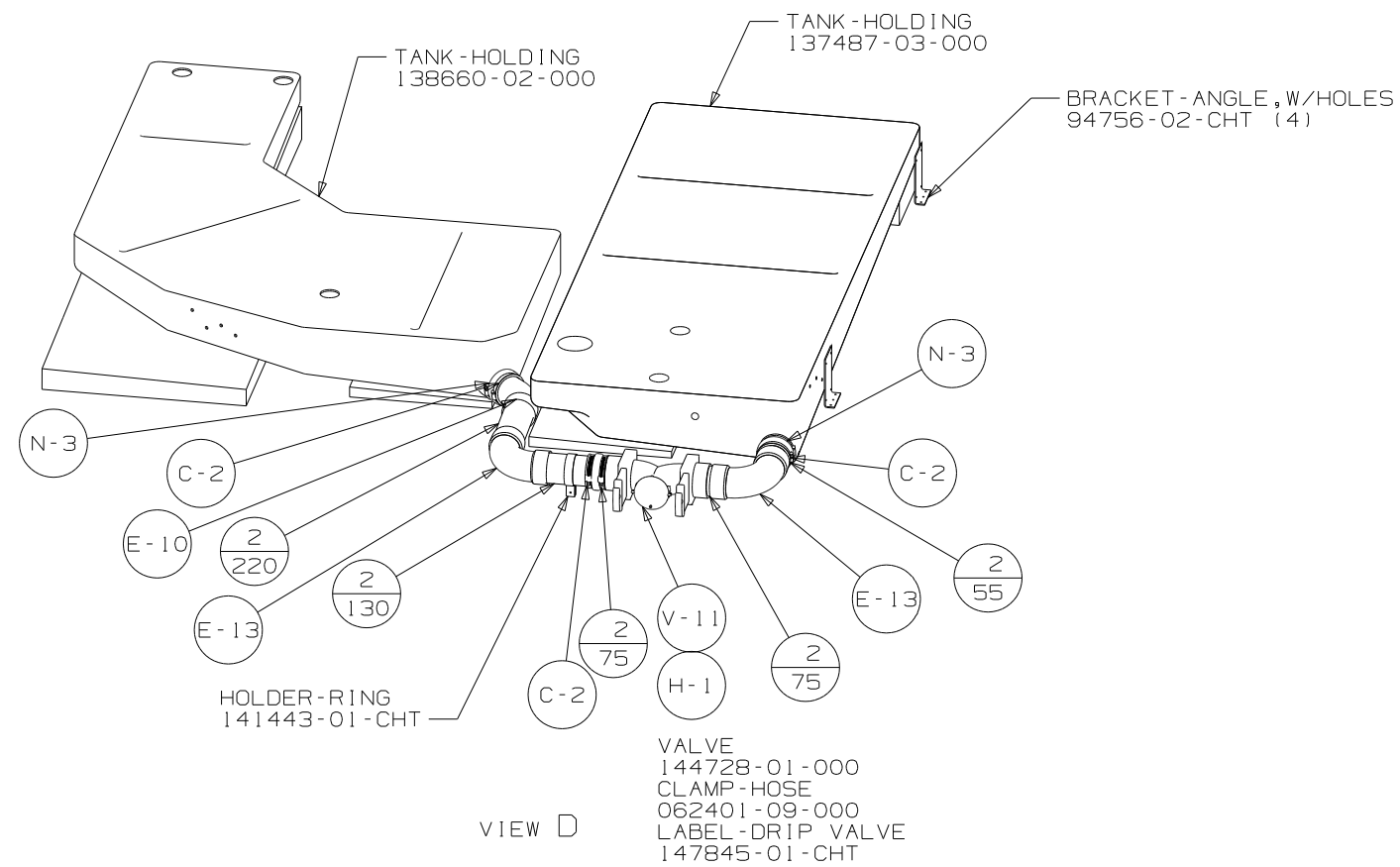
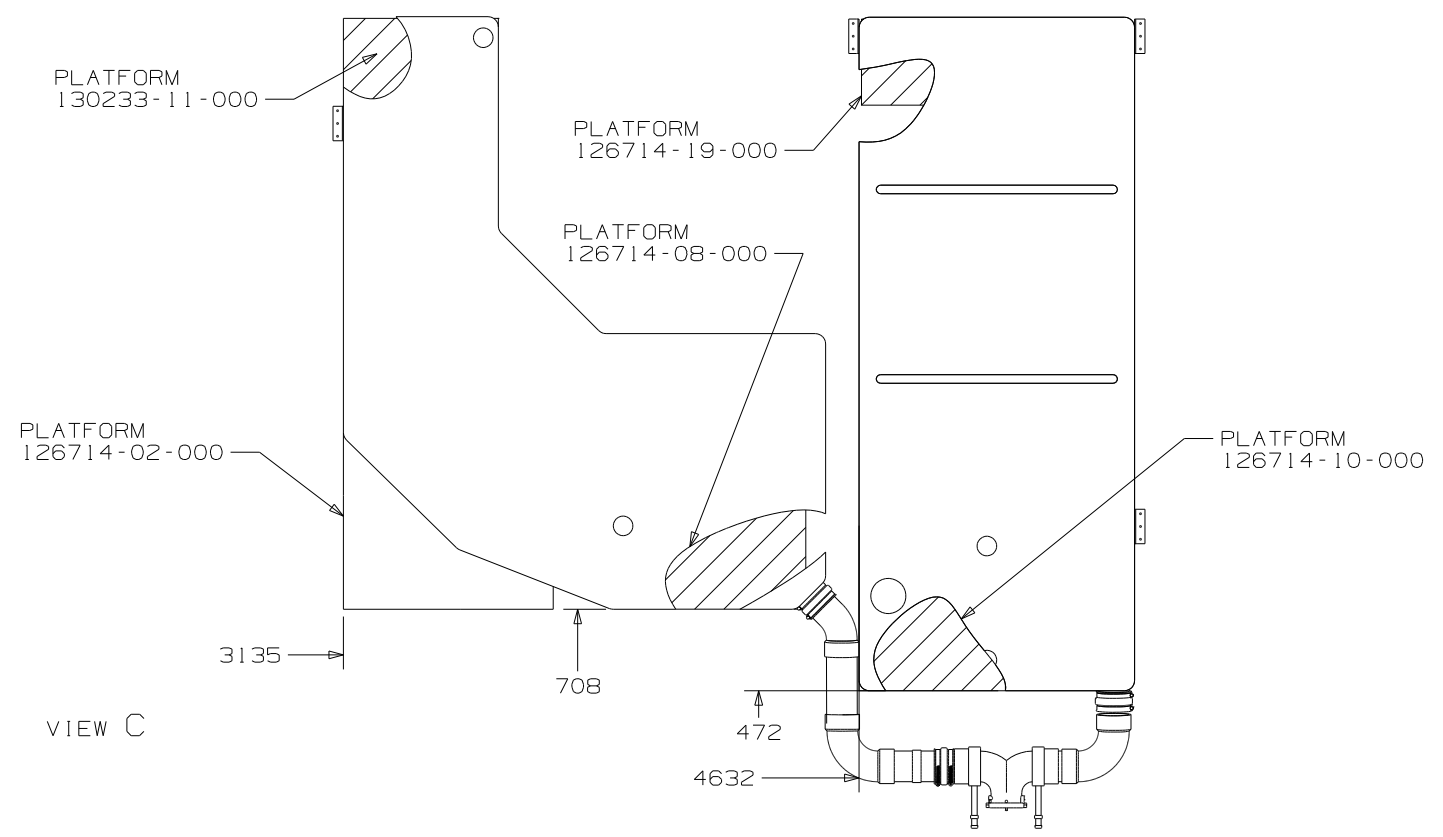
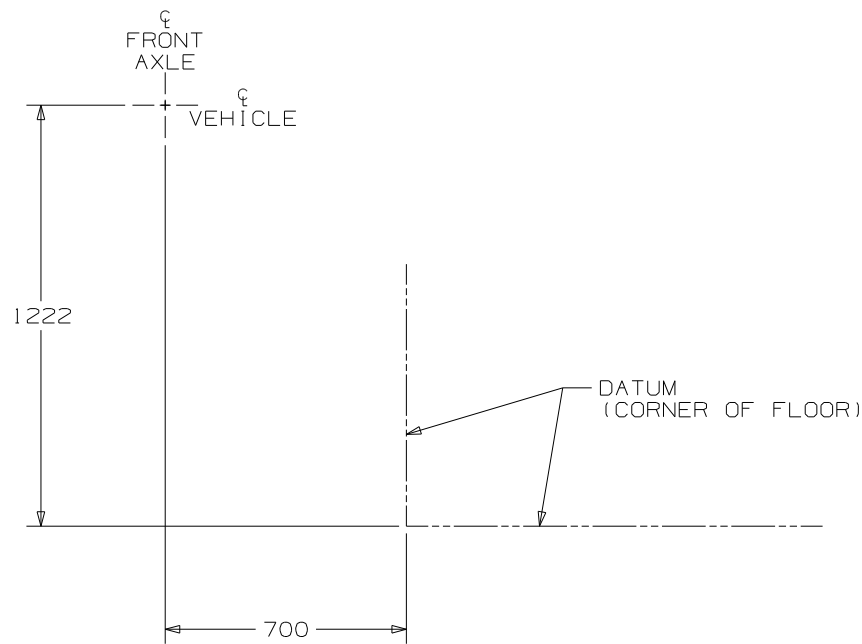
SINK  
 143310-01-CHT  
 ANGLE  
 96826-01-CHT (10)  
 SEAL  
 (A/R)  
 (WIN) POP-UP  
 110760-04-CHT  
 WASTE ASM  
 (SUPPLIED W/FAUCET)  
 (ITA) WASHER FOAM  
 147930-01-000

(ITA) 430 TOILET-AURORA CHINA  
 132389-01-CHT  
 (WIN) 43E 136729-01-CHT  
 SCREW  
 8721-01-000 (8)



VIEW B

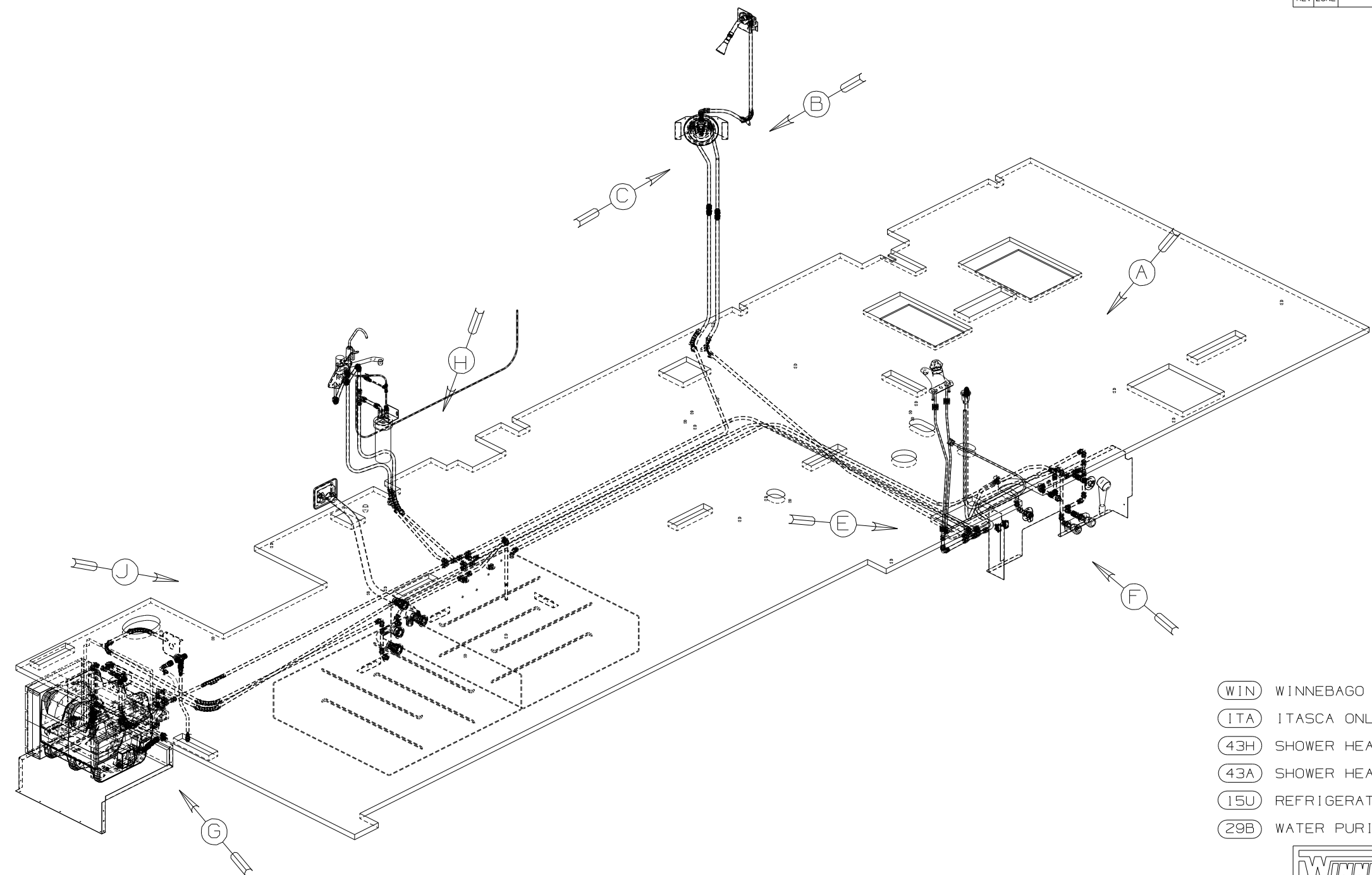
FIRST USED	04 G31Y
DO NOT SCALE DRAWING	
TITLE:	DRAINAGE SYSTEM INSTL
SHEET 2	PART NO 147230



FIRST USED	04 G31Y
DO NOT SCALE DRAWING	
TITLE	DRAINAGE SYSTEM INSTL
SHEET 3	PART NO 147230

DWG NO	----
147233-01	(WIN)
147233-02	(ITA)

RELEASE	REV DATE	DWG NO
A		147233
REV ZONE	REVISION RECORD	DATE DFR-ORIG



- (WIN) WINNEBAGO ONLY
- (ITA) ITASCA ONLY
- (43H) SHOWER HEAD-HAND HELD
- (43A) SHOWER HEAD-FIXED
- (15U) REFRIGERATOR/FRZR W/ICEMAKER
- (29B) WATER PURIFIER

- NOTES:
- 6 ADD TEFLON TAPE 10405-01-000.
  - 5 ADD TEFLON TAPE 10405-02-000.
  - 4 FLUSHING SYSTEM REQUIRES 125697-06-000 INSTRUCTION SHEET.
  3. ALL TUBING TO BE SECURED AT 1200 INTERVALS MAXIMUM WITH CLAMP 10495-01-000 OR CLIP 9151-01-000 AND SCREW 667-10-12B.
  2. TUBING TO BE INSTALLED WITH SUFFICIENT SLOPE TO PROVIDE DRAINAGE TO NEAREST VALVE.
  1. PLASTIC FITTINGS TO BE SEALED WITH SEALANT 84456-01-0001.

(X-X)  
FOR  
WATER  
CALLOUTS  
SEE DWG NO  
116230-01-000

<b>WINNEBAGO</b>		COPYRIGHT 2004 WINNEBAGO INDUSTRIES, INC.	
DFTR	ORIG. DATE	ALL DIMENSIONS ARE IN MILLIMETERS	
CHKR		FIRST USED	
P.E.		04 G31Y	
M.E.		UNSPECIFIED TOLERANCES ARE:	
DSNR		MATERIAL:	
		WHOLE DIM (X) :	3
		ONE-PLACE (X.X) :	
		TWO-PLACE (X.XX) :	
		ANGLE :	
THIRD ANGLE PROJECTION		DO NOT SCALE DRAWING	
TITLE: WATER SYSTEM INSTL			
SHEET 1 OF 4		PART NO 147233	

BRACKET-SHOWER CONTROL  
131554-01-CHT

BRACKET  
133726-01-CHT  
PLATE  
131549-01-CHT

VALVE  
128974-01-CHT (43A)

BREAKER-VACUUM  
125697-04-000 (4)  
MUST BE MOUNTED ABOVE  
TOILET FLOOD LEVEL

FAUCET-LAV  
128997-01-CHT (WIN)  
141490-01-CHT (ITA)

FAUCET-SHOWER  
144596-01-CHT (43A)  
144596-03-CHT  
BRACKET  
133721-01-CHT

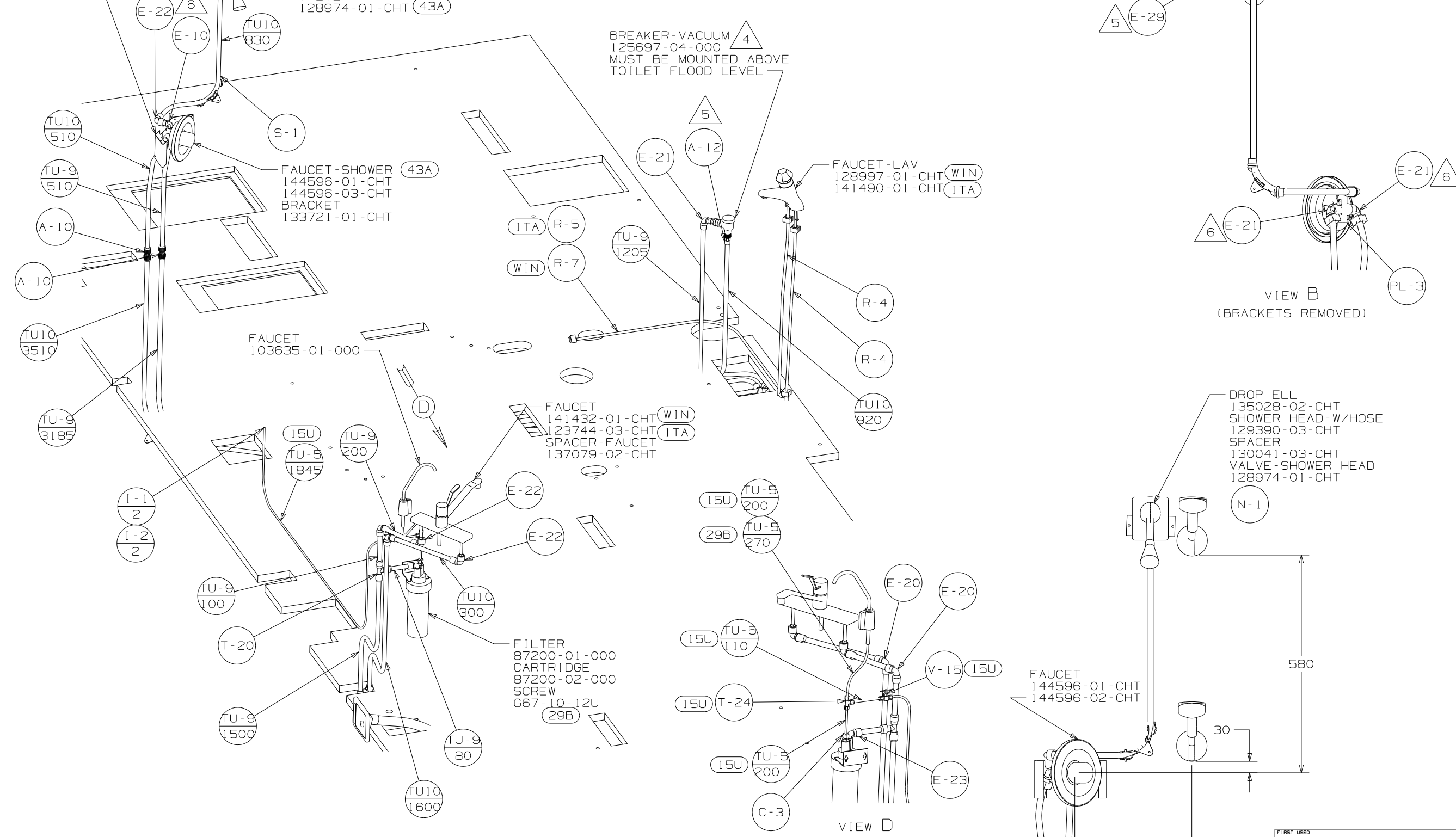
FAUCET  
103635-01-000

FAUCET  
141432-01-CHT (WIN)  
123744-03-CHT (ITA)  
SPACER-FAUCET  
137079-02-CHT

FAUCET  
144596-01-CHT  
144596-02-CHT

DROP ELL  
135028-02-CHT  
SHOWER HEAD-W/HOSE  
129390-03-CHT  
SPACER  
130041-03-CHT  
VALVE-SHOWER HEAD  
128974-01-CHT

FILTER  
87200-01-000  
CARTRIDGE  
87200-02-000  
SCREW  
G67-10-12U  
29B



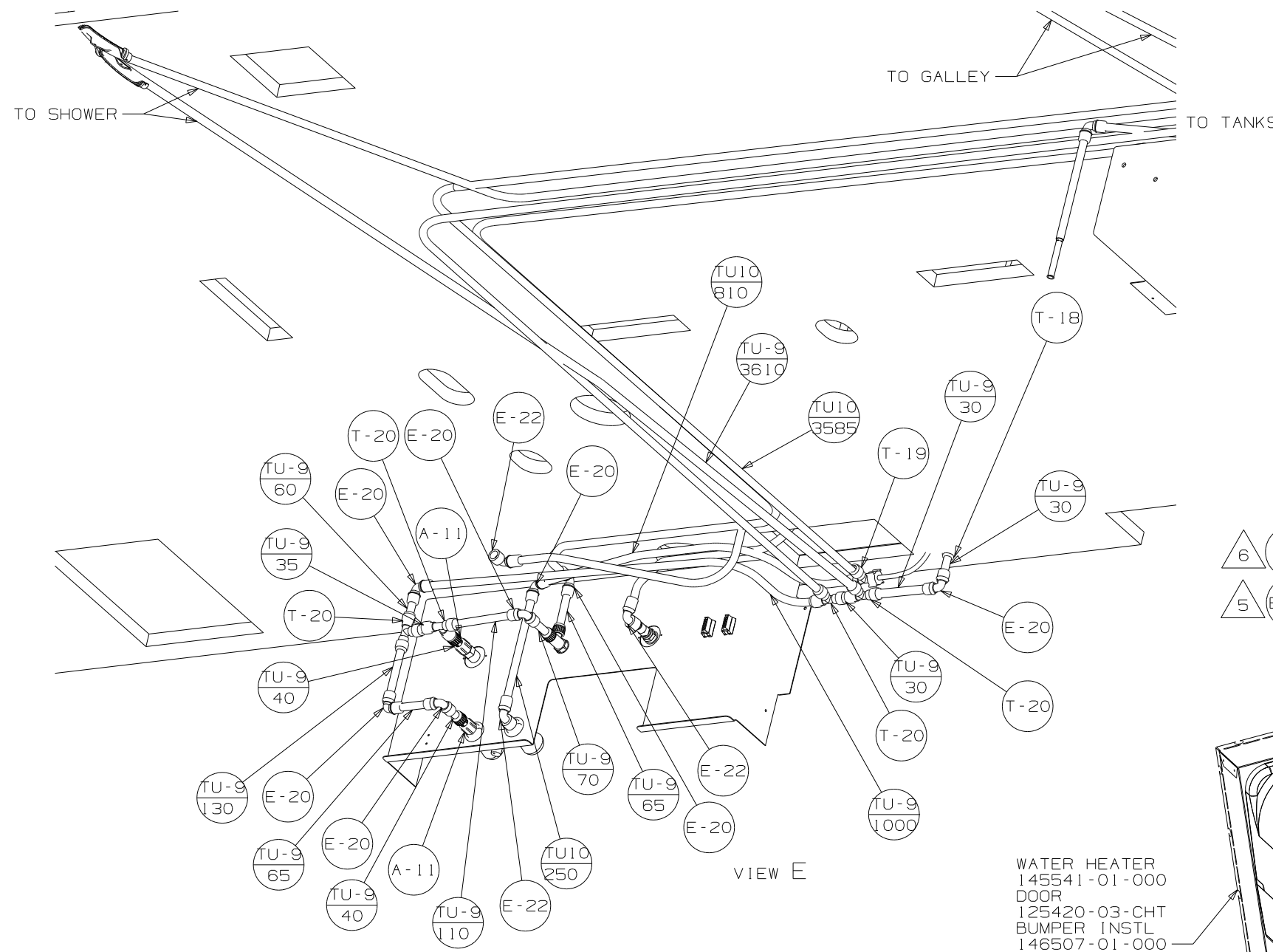
VIEW A

VIEW D

VIEW C  
(43H)

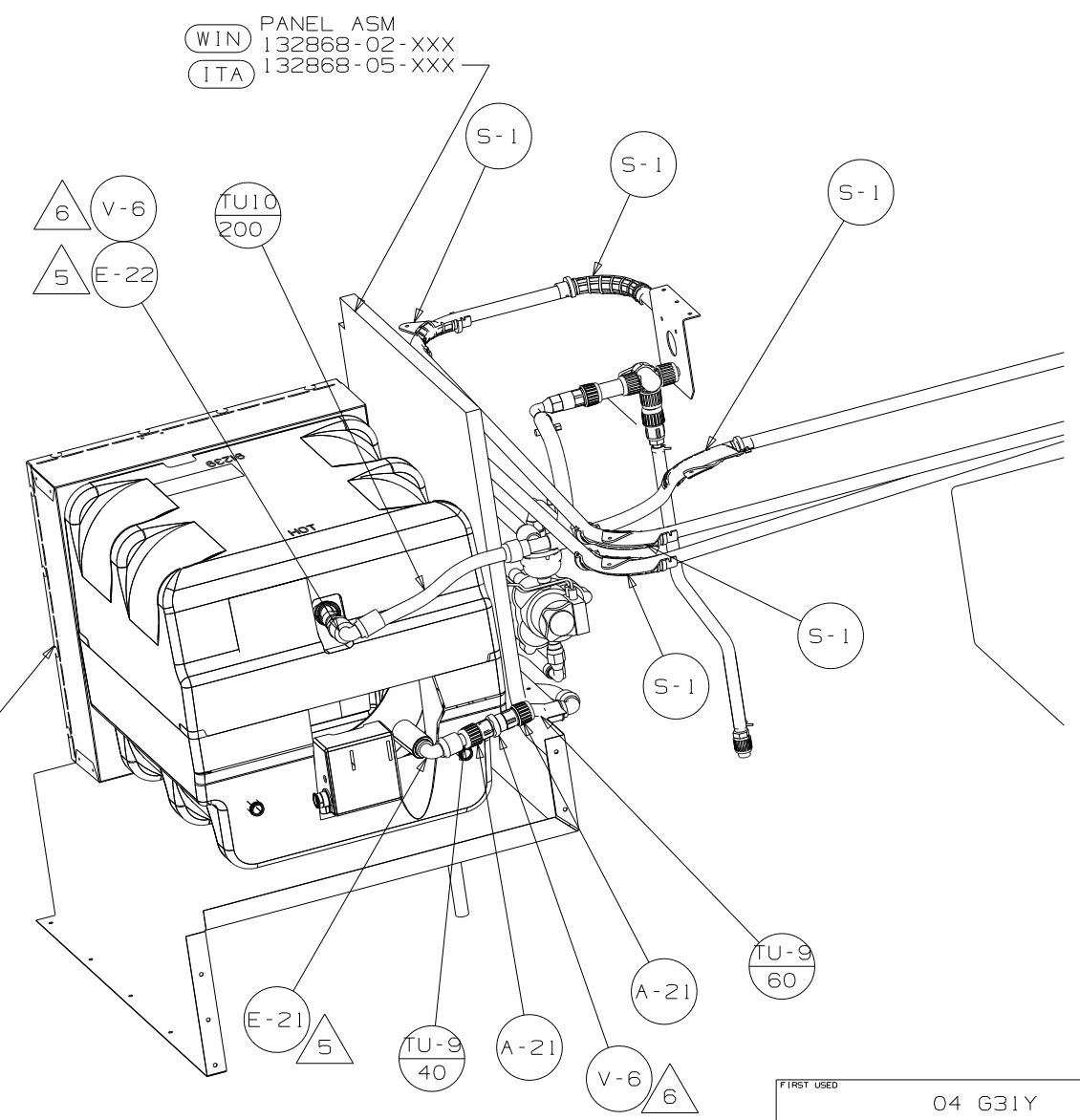
VIEW B  
(BRACKETS REMOVED)

FIRST USED	04 G31Y
TITLE	DO NOT SCALE DRAWING
TITLE	WATER SYSTEM INSTL
SHEET 2	PART NO 147233

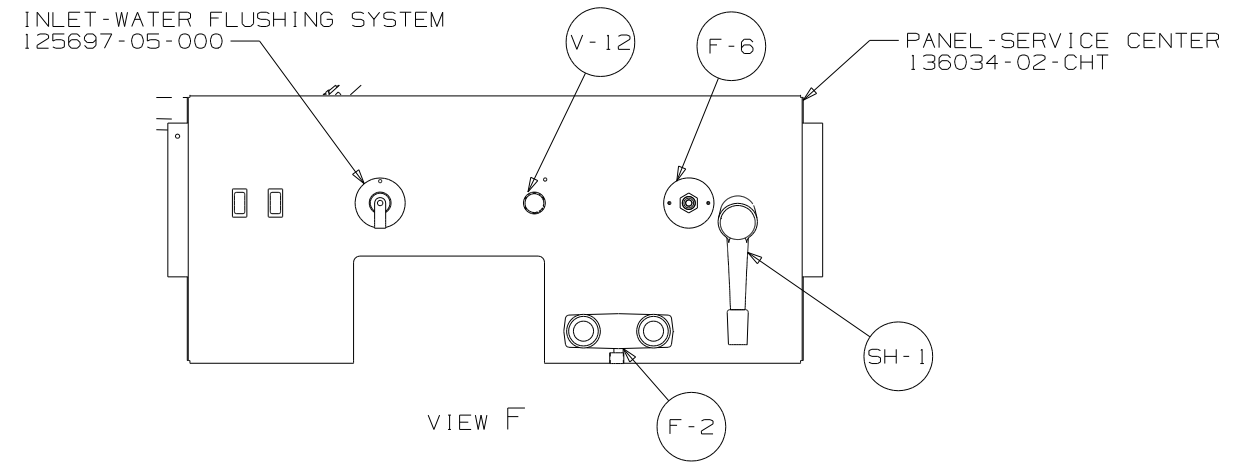


VIEW E

WATER HEATER  
 145541-01-000  
 DOOR  
 125420-03-CHT  
 BUMPER INSTL  
 146507-01-000

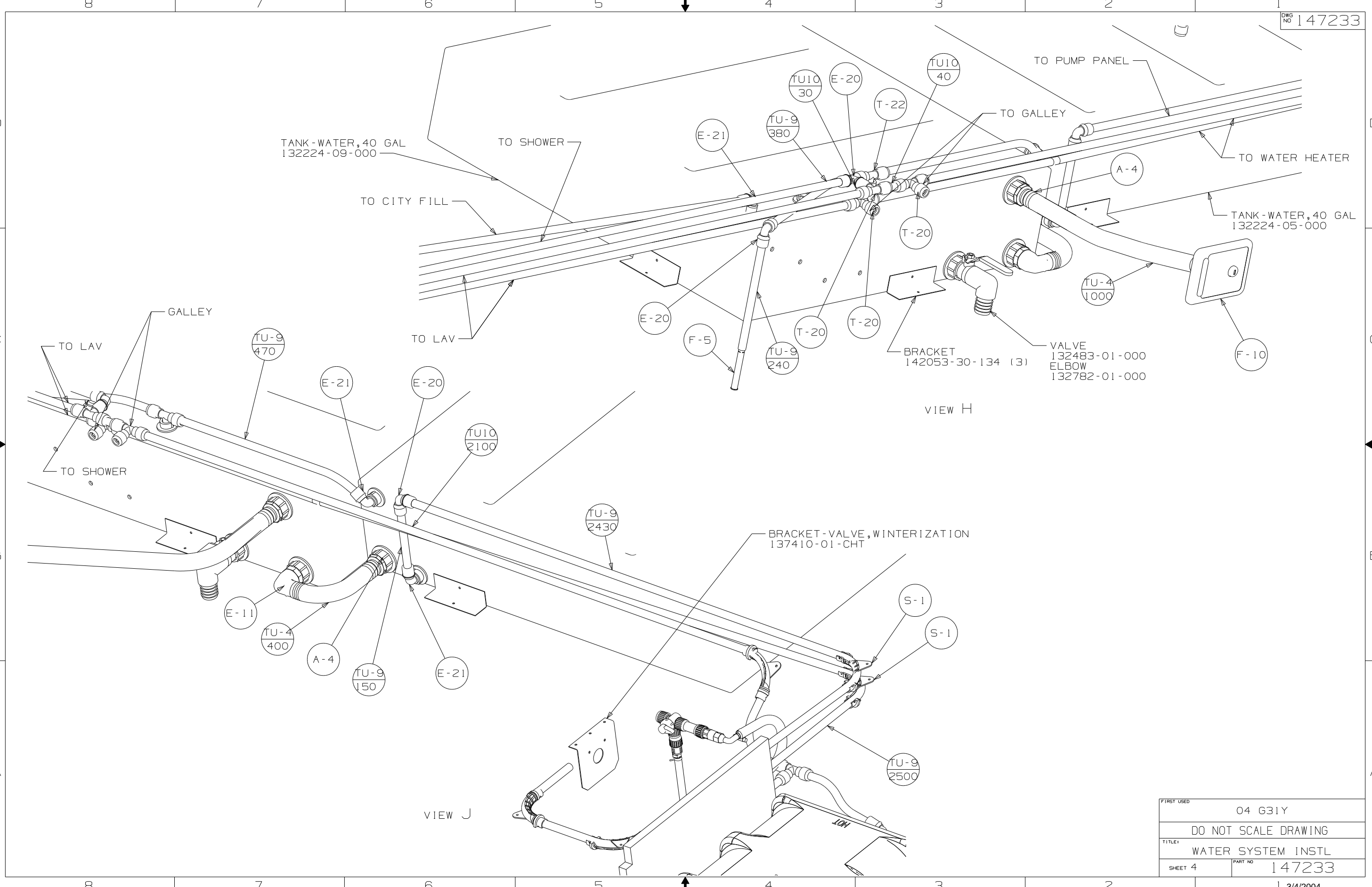


VIEW G



VIEW F

FIRST USED	04 G31Y
DO NOT SCALE DRAWING	
TITLE	WATER SYSTEM INSTL
SHEET 3	PART NO 147233



TANK - WATER, 40 GAL  
132224-09-000

TANK - WATER, 40 GAL  
132224-05-000

BRACKET  
142053-30-134 (3)  
VALVE  
132483-01-000  
ELBOW  
132782-01-000

BRACKET - VALVE, WINTERIZATION  
137410-01-CHT

VIEW H

VIEW J

FIRST USED	04 G31Y
TITLE	DO NOT SCALE DRAWING
SHEET 4	PART NO 147233
1 3/4/2004	