

- (1B1) CODES/STANDARDS USA
- (265) CODES/STANDARDS-CSA, CMVSS
- (54E) WASHER/DRYER
- (21M) WASHER/DRYER PREP

- NOTES:
7. SECURE VENT TUBES WITH BRACKET 136878-01-CHT (4), CLAMP 62401-02-000 (4), SCREW G67-10-12B (4)
 6. VENT PIPE MUST PROECT 51 MIN AND 64 MAX ABOVE ROOF FOR PROPER FIT AND FUNCTION.
 5. SEAL AROUND SHOWER WITH SILICONE.
 4. ALL EXTERIOR OPENINGS AROUND PIPE TO BE SEALED WITH 100744-01-000.
 3. ALL PIPE AND FITTINGS TO BE ASSEMBLED WITH SOLVENT 4020-01-000 (US), 4020-02-000 (CAN).
 2. SLOPE OF TRAP ARM MUST BE 6 PER 305 mm.
 1. SLOPE OF HORIZONTAL PIPING TO BE 6 PER 305 mm.

WINNEBAGO		COPYRIGHT 2004 WINNEBAGO INDUSTRIES, INC.	
D/FR	ORIG. DATE	ALL DIMENSIONS ARE IN MILLIMETERS	
CHKR		FIRST USED	
P.E.		04 F36M	
M.E.		UNSPECIFIED TOLERANCES ARE:	
DSNR		MATERIAL:	
		WHOLE DIM (X)	: 3
		ONE-PLACE (X.X)	:
		TWO-PLACE (X.XX)	:
		ANGLE	:
THIRD ANGLE PROJECTION		DO NOT SCALE DRAWING	
		TITLE: DRAINAGE SYSTEM INSTL	
SHEET 1 OF 3		PART NO 145435	

FOR
DRAINAGE
CALLOUTS
SEE DWG NO
116229-01-000

SINK-LAVATORY
142285-01-CHT
SCREW
G67-08-10U (3)

SHOWER IN STL-ENCLOSURE
131620-05-000
STRAINER
66440-01-000
NUT-SLIP
130403-01-000
TAILPIECE
11069-06-000
WASHER
127440-02-CHT

PIPE-STAND (21M)
130234-01-000
(420)

PLUG-PLASTIC (21M)
61420-10-000

SIN-SMA, DBL L/S/BASIN
148870-01-CHT
STRAINER
92303-01-000 (2)
WASHER-RUBBER
127440-02-CHT (2)
SEAL A/R
SCREW
G67-10-08B (10)
ANGLE
140002-01-CHT (10)

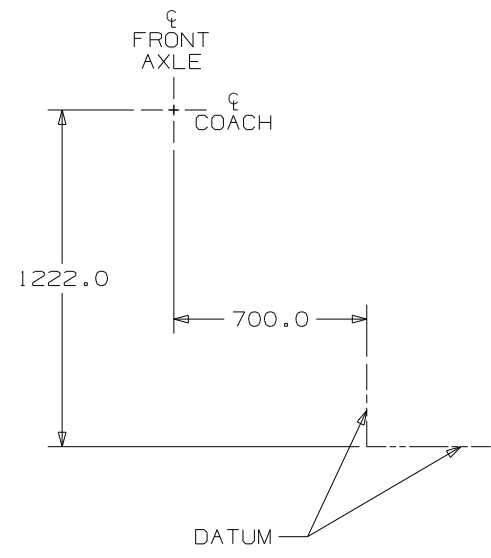
TOILET
140798-01-CHT
SCREW
87721-01-000 (8)

STRAP-CONDUIT
008406-01-000 (4)
SCREW
G67-10-12B (8)

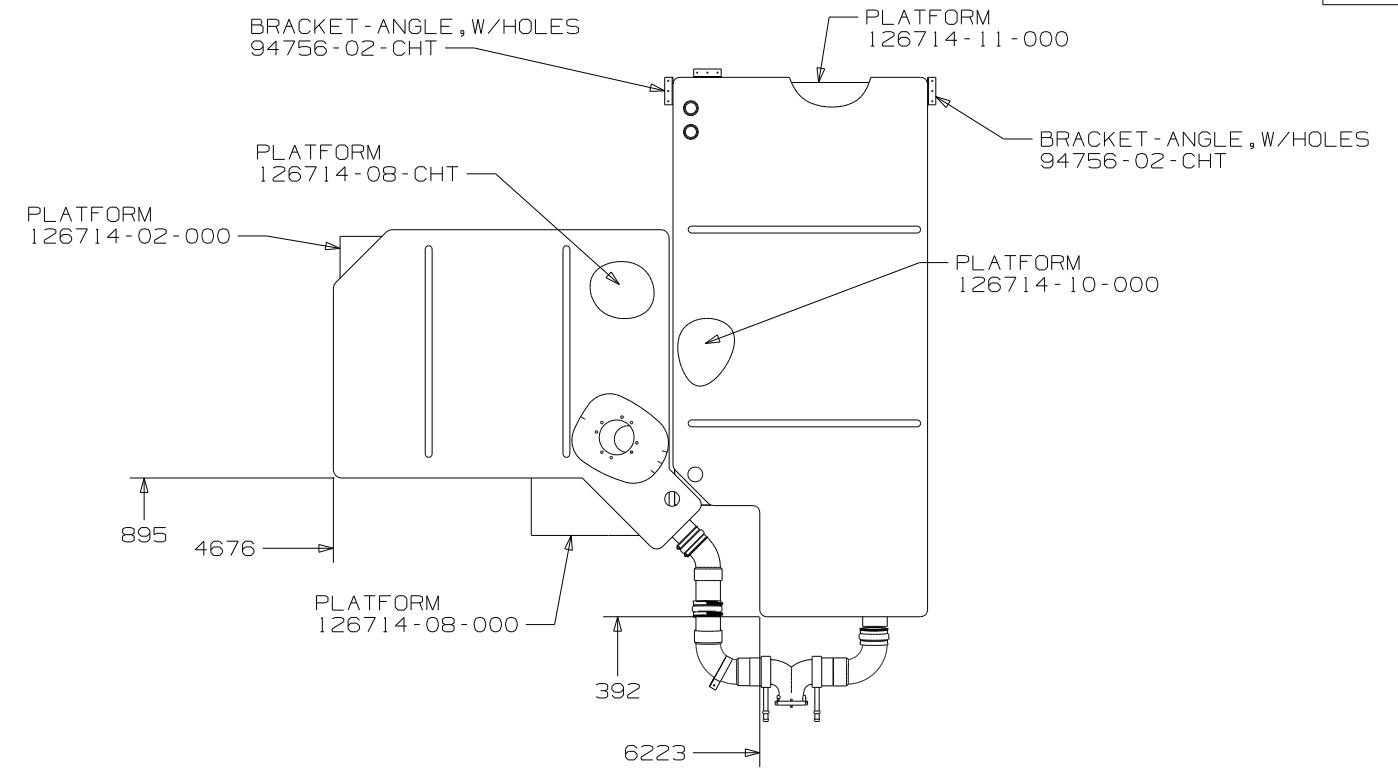
VIEW A

VIEW B

FIRST USED	04 F36M
TITLE:	DO NOT SCALE DRAWING
TITLE:	DRAINAGE SYSTEM INSTL
SHEET 2	PART NO 145435

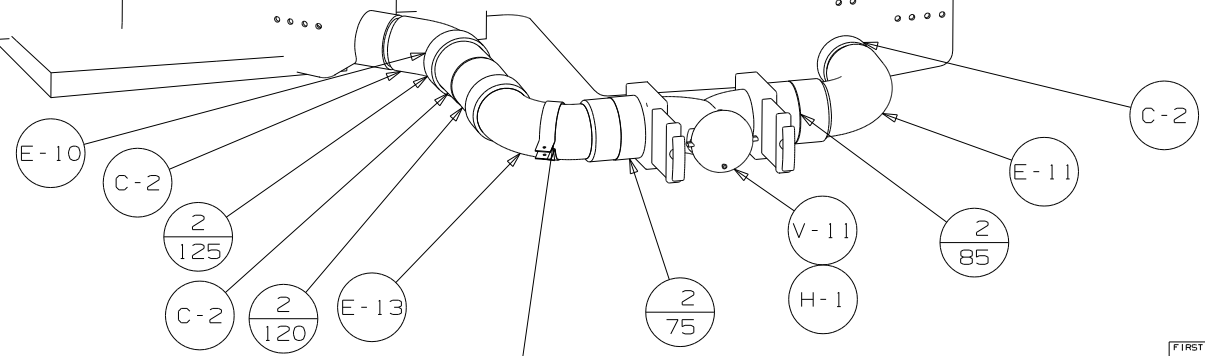


VIEW C



TANK-HOLDING, 45 GAL 134216-03-000

TANK-HOLDING, 67 GAL 134217-03-000



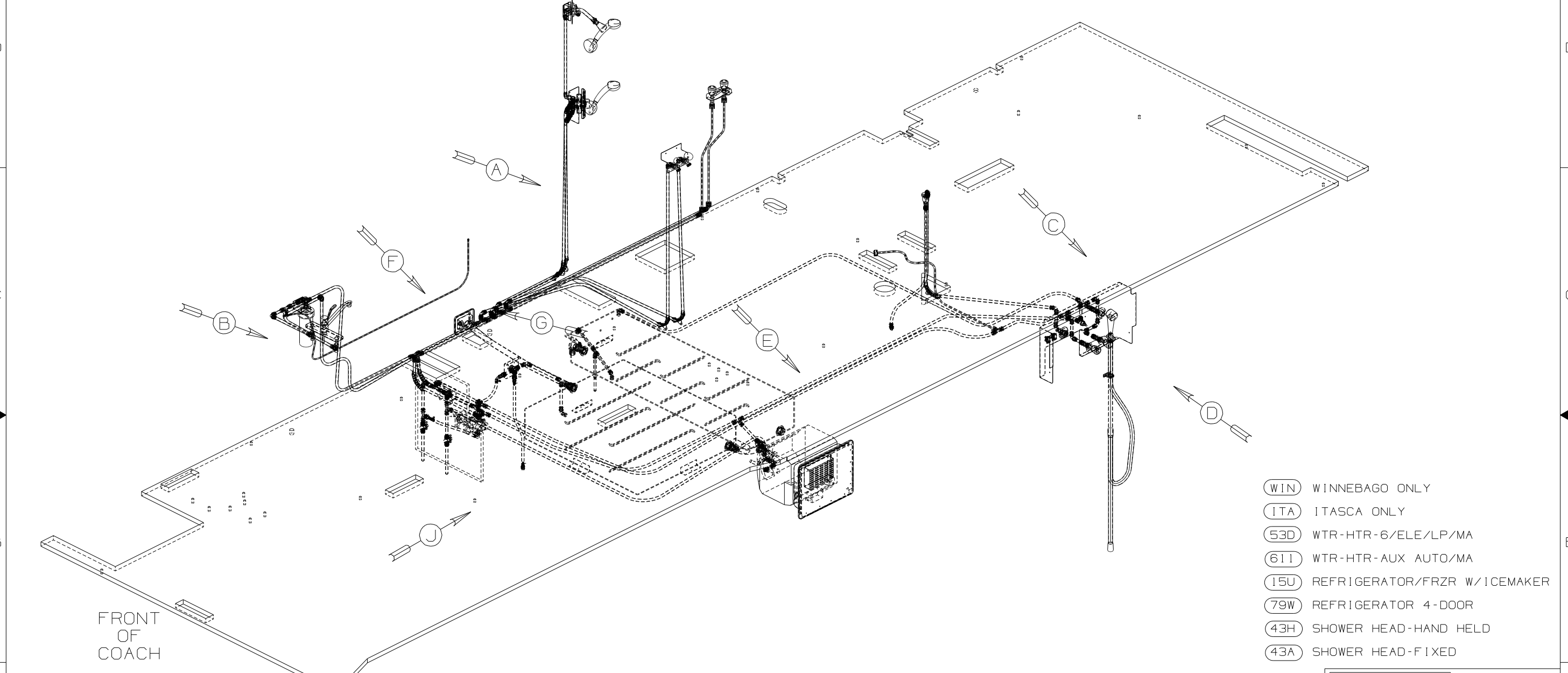
HOLDER-RING 141443-01-CHT

VIEW D

FIRST USED	04 F36M
DO NOT SCALE DRAWING	
TITLE	DRAINAGE SYSTEM INSTL
SHEET 3	PART NO 145435

DWG NO	----
145434-01	(WIN)
145434-02	(ITA)

RELEASE	REV DATE	DWG NO
A		145434
REV ZONE	REVISION RECORD	DATE DFR-ORIG

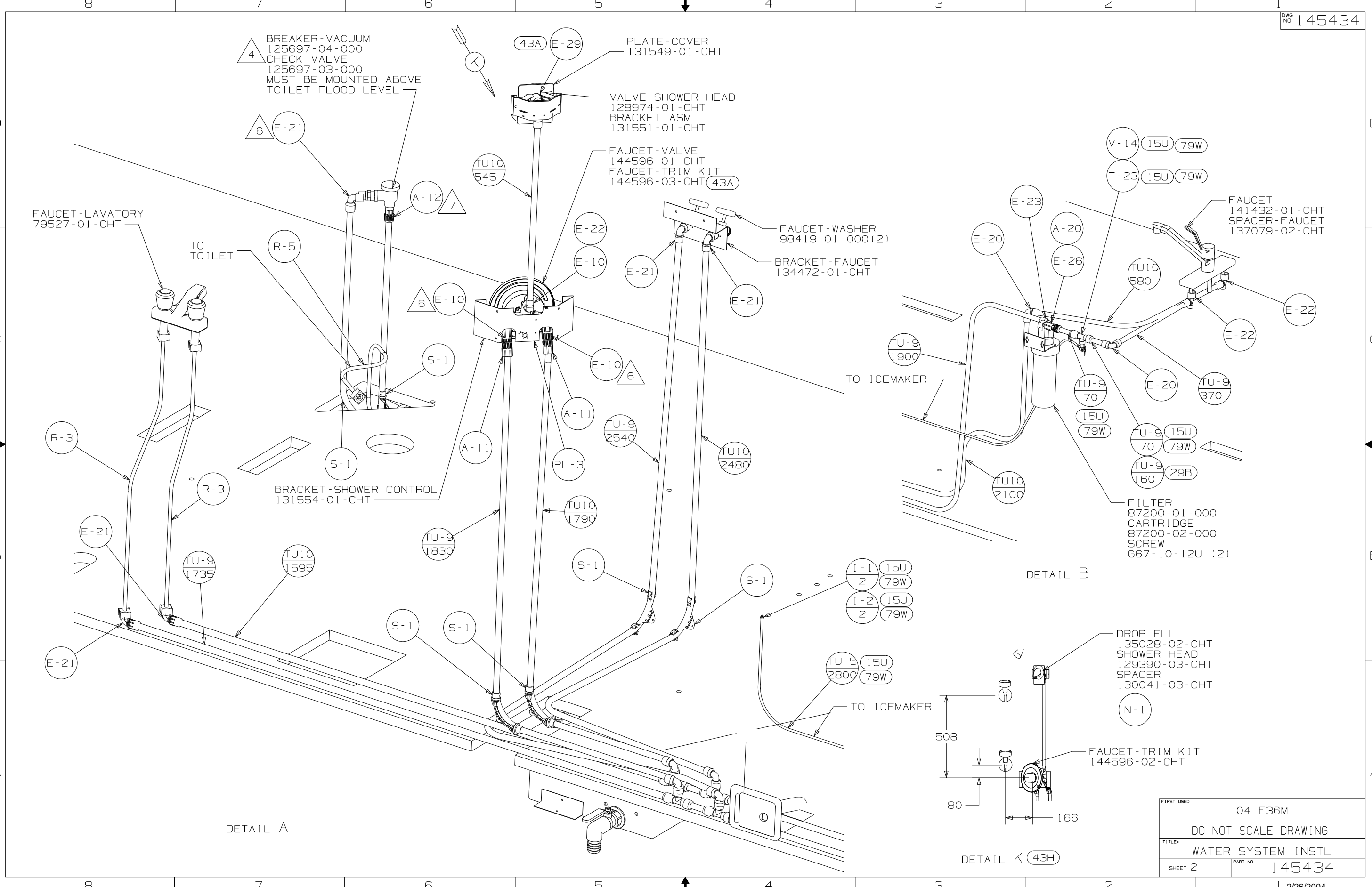


- NOTES:
- 7 ADD TEFLON TAPE 10405-03-000.
 - 6 ADD TEFLON TAPE 10405-01-000.
 - 5 ADD TEFLON TAPE 10405-02-000.
 - 4 FLUSHING SYSTEM REQUIRES 125697-06-000 INSTRUCTION SHEET.
3. ALL TUBING TO BE SECURED AT 1200 INTERVALS MAXIMUM WITH CLAMP 10495-01-000 OR CLIP 9151-01-000 AND SCREW G67-10-12B.
 2. TUBING TO BE INSTALLED WITH SUFFICIENT SLOPE TO PROVIDE DRAINAGE TO NEAREST VALVE.
 1. PLASTIC FITTINGS TO BE SEALED WITH SEALANT 84456-01-000.

- (WIN) WINNEBAGO ONLY
- (ITA) ITASCA ONLY
- (53D) WTR-HTR-6/ELE/LP/MA
- (611) WTR-HTR-AUX AUTO/MA
- (15U) REFRIGERATOR/FRZR W/ICEMAKER
- (79W) REFRIGERATOR 4-DOOR
- (43H) SHOWER HEAD-HAND HELD
- (43A) SHOWER HEAD-FIXED

WINNEBAGO		COPYRIGHT 2004 WINNEBAGO INDUSTRIES, INC.	
DFTR	ORIG. DATE	ALL DIMENSIONS ARE IN MILLIMETERS	
CHKR		FIRST USED	
P.E.		04 F36M	
M.E.		UNSPECIFIED TOLERANCES ARE:	
DSNR		MATERIAL:	
		WHOLE DIM (X)	:
		ONE-PLACE (X.X)	:
		TWO-PLACE (X.XX)	:
		ANGLE	:
THIRD ANGLE PROJECTION		DO NOT SCALE DRAWING	
TITLE: WATER SYSTEM INSTL			
SHEET 1 OF 4		PART NO 145434	

(X-X)
FOR
WATER
CALLOUTS
SEE DWG NO
116230-01-000

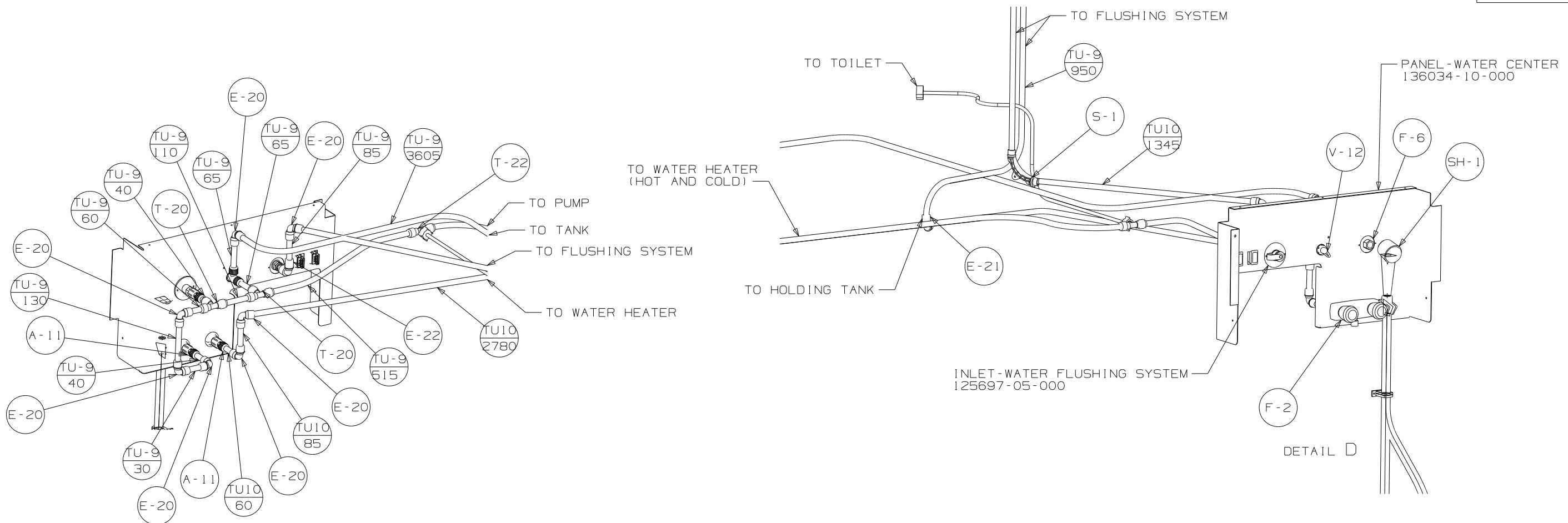


DETAIL A

DETAIL B

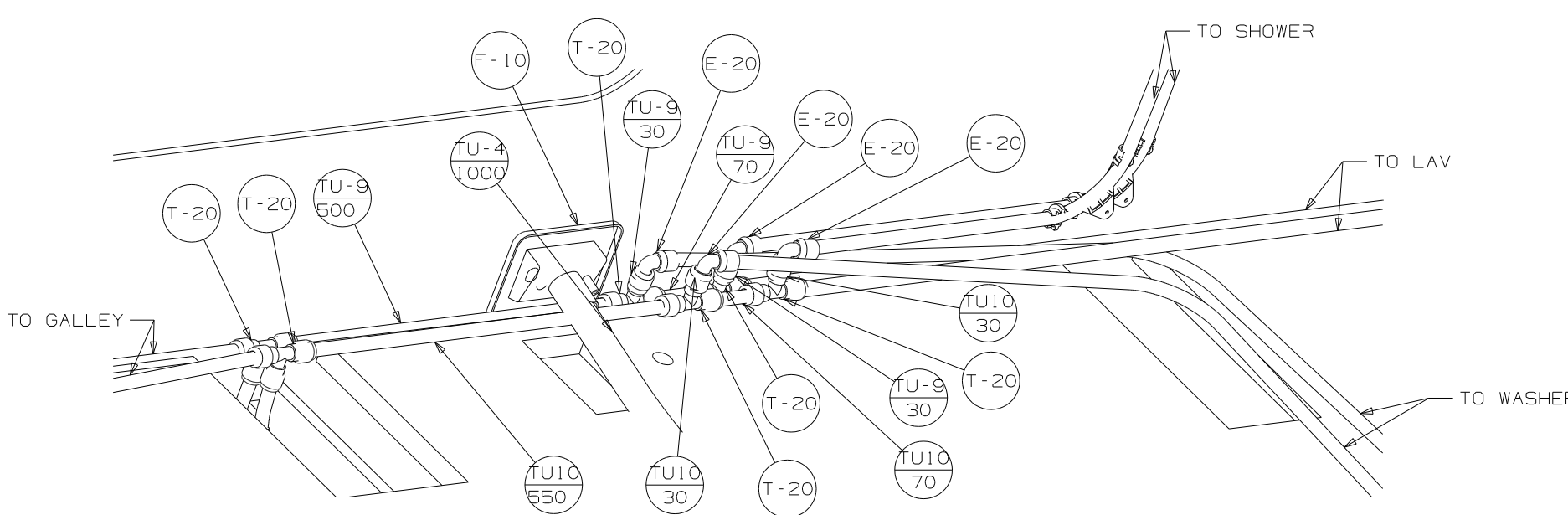
DETAIL K (43H)

FIRST USED	04 F36M
DO NOT SCALE DRAWING	
TITLE	WATER SYSTEM INSTL
SHEET 2	PART NO 145434



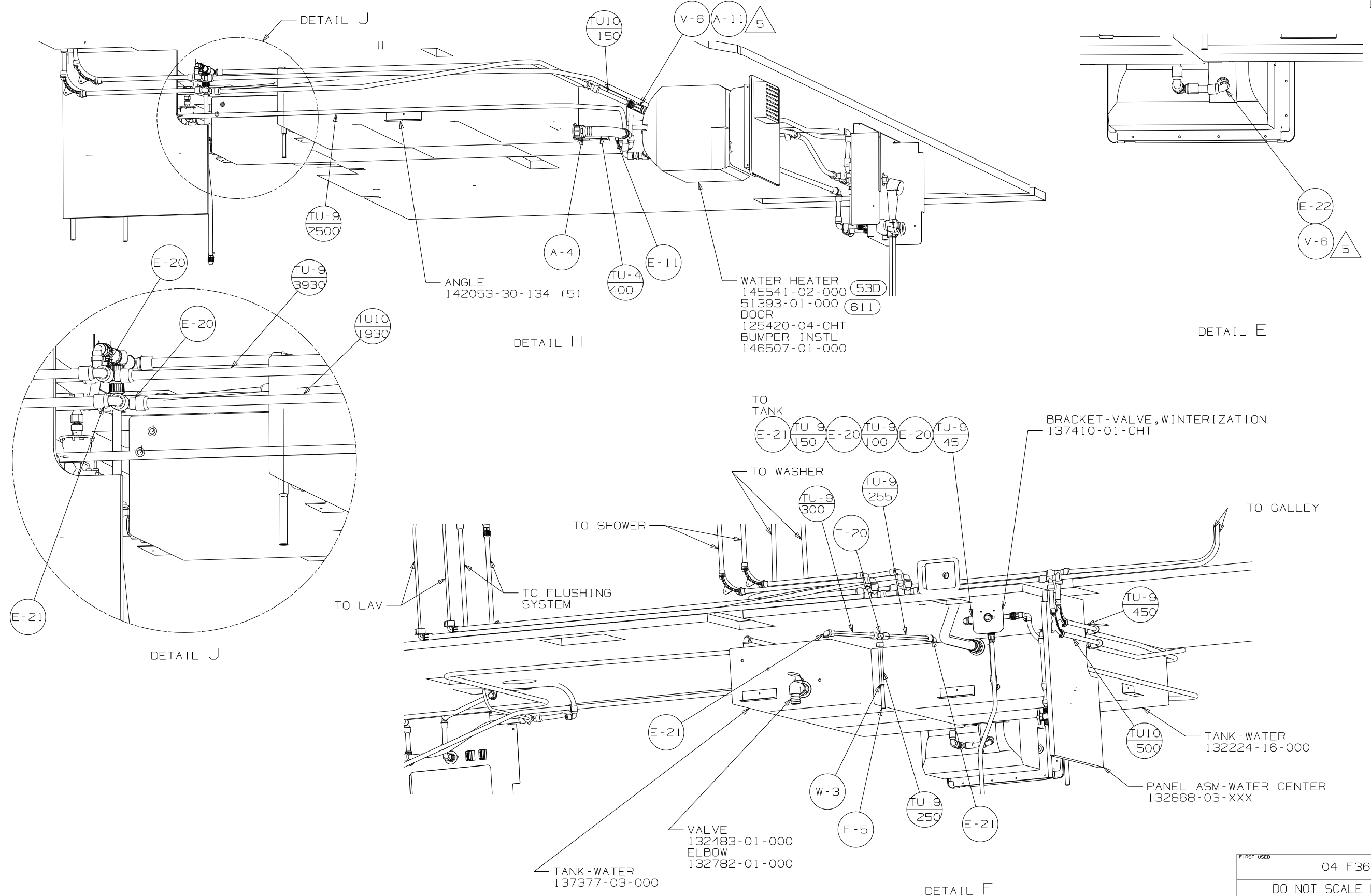
DETAIL C

DETAIL D



VIEW G

FIRST USED	04 F36M
TITLE	DO NOT SCALE DRAWING
SHEET 3	PART NO 145434



DETAIL J

DETAIL H

DETAIL E

DETAIL J

DETAIL F

FIRST USED	04 F36M
DO NOT SCALE DRAWING	
TITLE	WATER SYSTEM INSTL
SHEET 4	PART NO 145434