

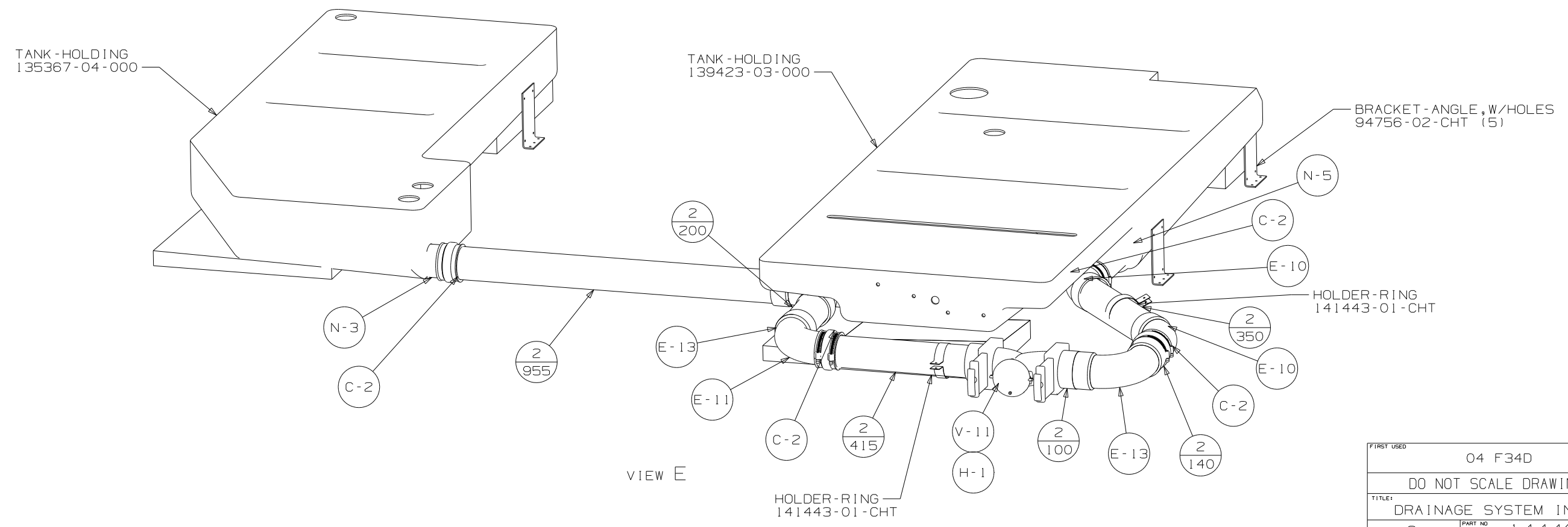
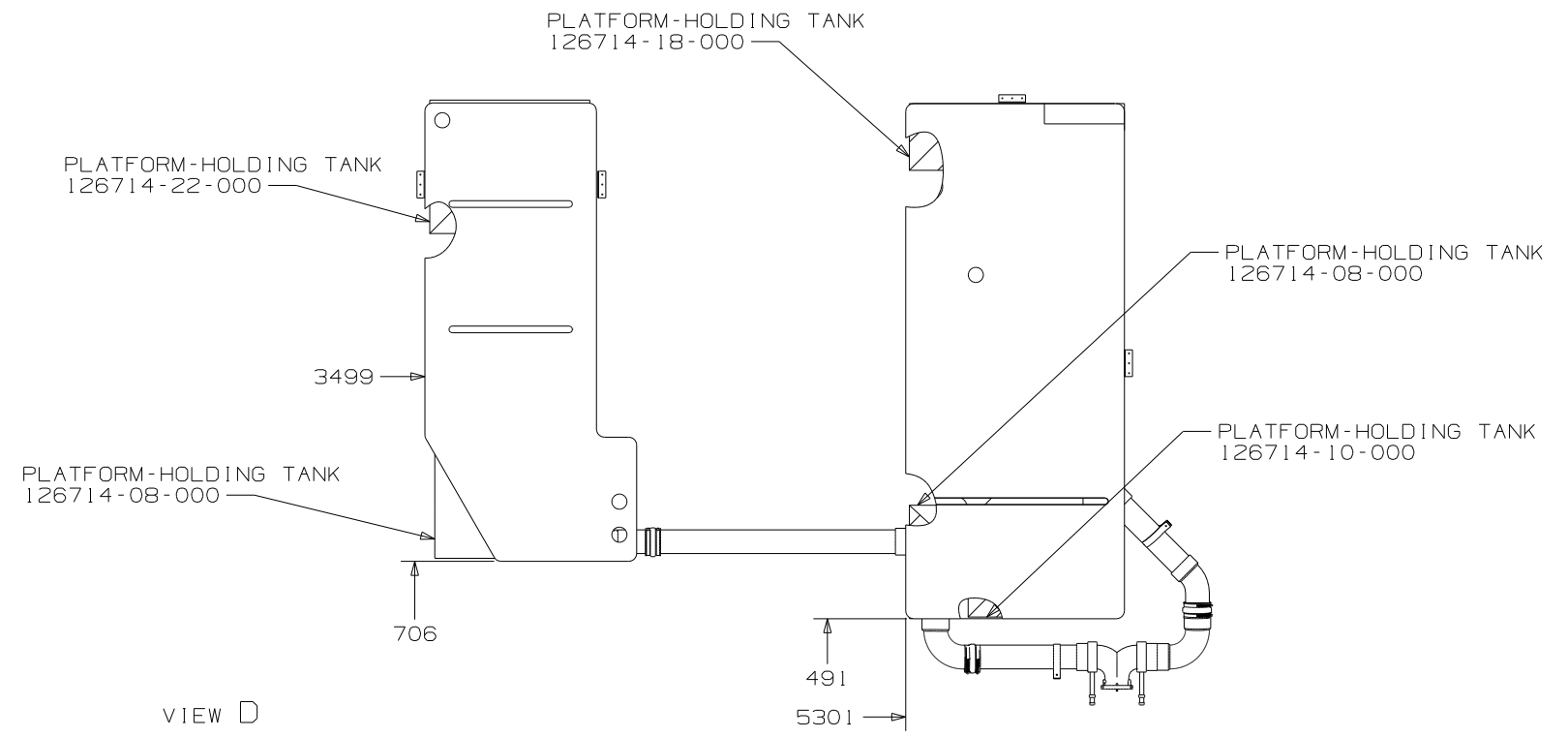
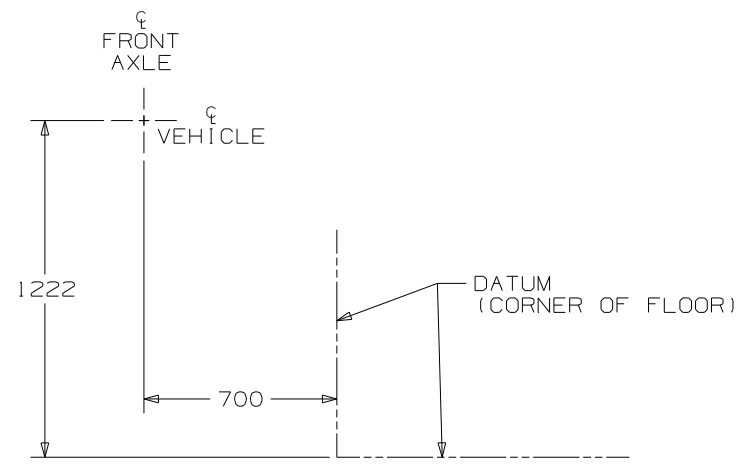
FRONT
OF
COACH

- (54E) WASHER/DRYER
- (21M) WASHER/DRYER PREP
- (1B1) CODES/STANDARDS USA
- (265) CODES/STDS - CSA, CMVSS

- NOTES:
7. SECURE VENT TUBES WITH BRACKET 136878-01-CHT (4), CLAMP 62401-02-000 (4), SCREW G67-10-12B (4).
 6. VENT PIPE MUST PROECT 51 MIN AND 64 MAX ABOVE ROOF FOR PROPER FIT AND FUNCTION.
 5. SEAL AROUND SHOWER WITH SILICONE.
 4. ALL EXTERIOR OPENINGS AROUND PIPE TO BE SEALED WITH 100744-01-000.
 3. ALL PIPE AND FITTINGS TO BE ASSEMBLED WITH SOLVENT 4020-01-000.
 2. SLOPE OF TRAP ARM MUST BE 6 PER 305 mm.
 1. SLOPE OF HORIZONTAL PIPING TO BE MIN 3 PER 305 mm.

(X-X)
FOR
DRAINAGE
CALLOUTS
SEE DWG NO
116229-01-000

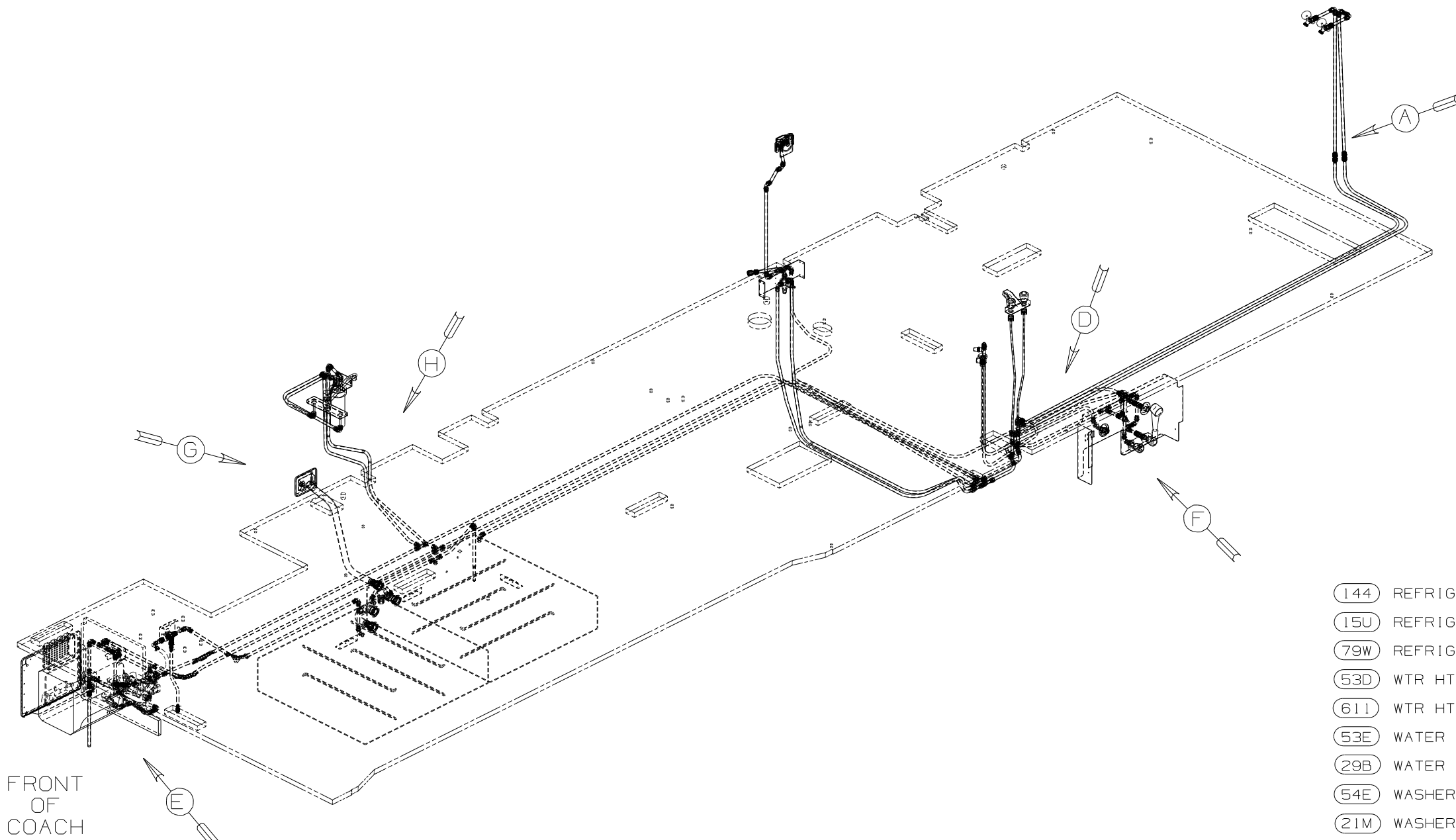
WINNEBAGO		COPYRIGHT 2004 WINNEBAGO INDUSTRIES, INC.	
DFT	ORIG. DATE	ALL DIMENSIONS ARE IN MILLIMETERS	
CHKR		FIRST USED	
P.E.		04 F34D	
M.E.			
DSNR			
UNSPECIFIED TOLERANCES ARE:		MATERIAL:	
WHOLE DIM (X)	: 3		
ONE-PLACE (X.X)	:		
TWO-PLACE (X.XX)	:		
ANGLE	:		
THIRD ANGLE PROJECTION			
DO NOT SCALE DRAWING			
TITLE: DRAINAGE SYSTEM INSTL			
SHEET 1 OF 3	PART NO	144466	



FIRST USED	04 F34D
DO NOT SCALE DRAWING	
TITLE	DRAINAGE SYSTEM INSTL
SHEET 3	PART NO 144466

8 7 6 5 4 3 2

RELEASE	REV DATE	DWG NO
A		144465
REV ZONE	REVISION RECORD	DATE
		DFT-016



- (144) REFRIGERATOR-DOUBLE DOOR
- (15U) REFRIGERATOR/FRZR W/ICEMAKER
- (79W) REFRIGERATOR-4 DOOR
- (53D) WTR HTR-6 GAL/ELEC/LP/MOTORAID
- (611) WTR HTR-AUX AUTO/MOTORAID
- (53E) WATER SYSTEM WINTERIZATION PACKAGE
- (29B) WATER PURIFIER
- (54E) WASHER/DRYER
- (21M) WASHER/DRYER PREP
- (43H) SHOWER HEAD-HAND HELD
- (43A) SHOWER HEAD-FIXED

FRONT OF COACH

- NOTES:
8. TAPE FITTING TO TUBE BEFORE CABINET SET TO PREVENT FITTING FROM MOVING.
 7. LABEL HOT AND COLD WATER LINES.
 6. ADD TEFLON TAPE 10405-01-000.
 5. ADD TEFLON TAPE 10405-02-000.
 4. FLUSHING SYSTEM REQUIRES 125697-06-000 INSTRUCTION SHEET.
3. ALL TUBING TO BE SECURED AT 1200 INTERVALS MAXIMUM WITH CLAMP 10495-01-000 OR CLIP 9151-01-000 AND SCREW 667-10-12B.
 2. TUBING TO BE INSTALLED WITH SUFFICIENT SLOPE TO PROVIDE DRAINAGE TO NEAREST VALVE.
 1. PLASTIC FITTINGS TO BE SEALED WITH SEALANT 84456-01-000.

(X-X)
FOR WATER CALLOUTS
SEE DWG NO 116230-01-000

WINNEBAGO		COPYRIGHT 2004 WINNEBAGO INDUSTRIES, INC.	
DFT	ORIG. DATE	ALL DIMENSIONS ARE IN MILLIMETERS	
CHKR		FIRST USED	
P.E.		04 F34D	
M.E.		UNSPECIFIED TOLERANCES ARE:	
DSNR		MATERIAL:	
		WHOLE DIM (X)	: 3
		ONE-PLACE (X.X)	:
		TWO-PLACE (X.XX)	:
		ANGLE	:
		THIRD ANGLE PROJECTION	
DO NOT SCALE DRAWING			
TITLE: WATER SYSTEM INSTL			
SHEET 1 OF 4		PART NO 144465	

8 7 6 5 4 3 2

43A PLATE - COVER
131549-01-CHT
VALVE - SHOWER HEAD
128974-01-CHT
BRACKET ASM
133727-01-CHT

SPACER
130041-02-CHT

SHOWER HEAD
129390-03-CHT

DROP ELL - SHOWER
135028-01-CHT
BRACKET - SHOWER HEAD N-1
133727-02-CHT
SPACER - SHOWER, HEAD
130041-01-CHT
PLATE - COVER
131549-03-CHT

FAUCET
141432-01-CHT
SPACER - FAUCET
137079-02-CHT

43A FAUCET - VALVE
144596-01-CHT
FAUCET - TRIM KIT W/SHOWERHEAD
144596-03-CHT
BRACKET
133721-01-CHT

FILTER
87200-01-000
CARTRIDGE
87200-02-000
SCREW
667-10-12U (2)

FAUCET (21M) (54E)
98419-01-000 (2)

FAUCET - TRIM KIT
144596-02-CHT

4 BREAKER - VACUUM
125697-04-000
CHECK VALVE
125697-03-000
MUST BE MOUNTED
ABOVE TOILET
FLOOD LEVEL

8 7 FAUCET
79527-01-CHT

6 A-12

TU10
1500

8 7 R-3

T-19

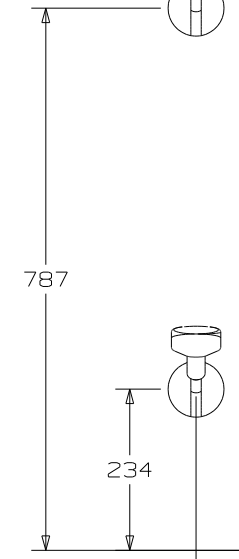
T-19

TU-9
150

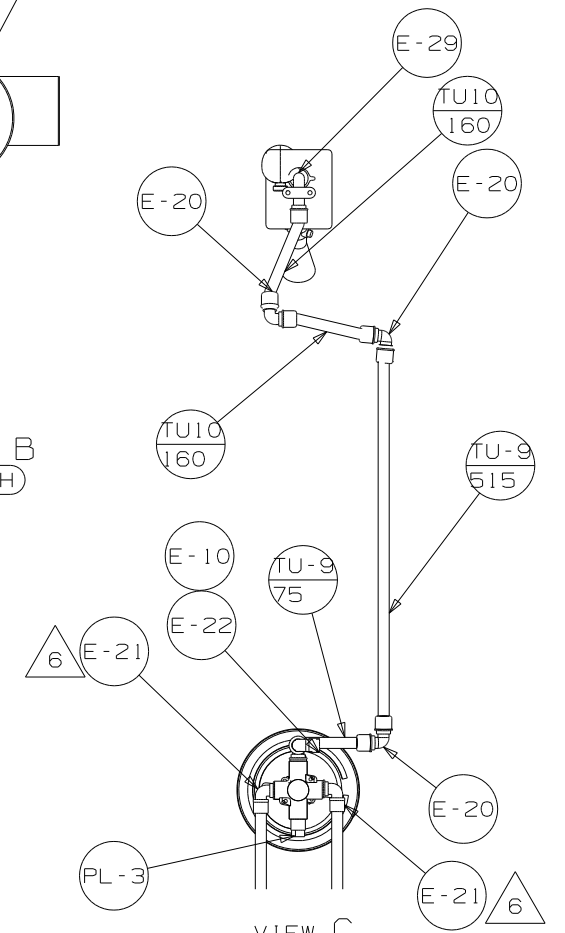
TU10
150

TU-9
3750

VIEW A

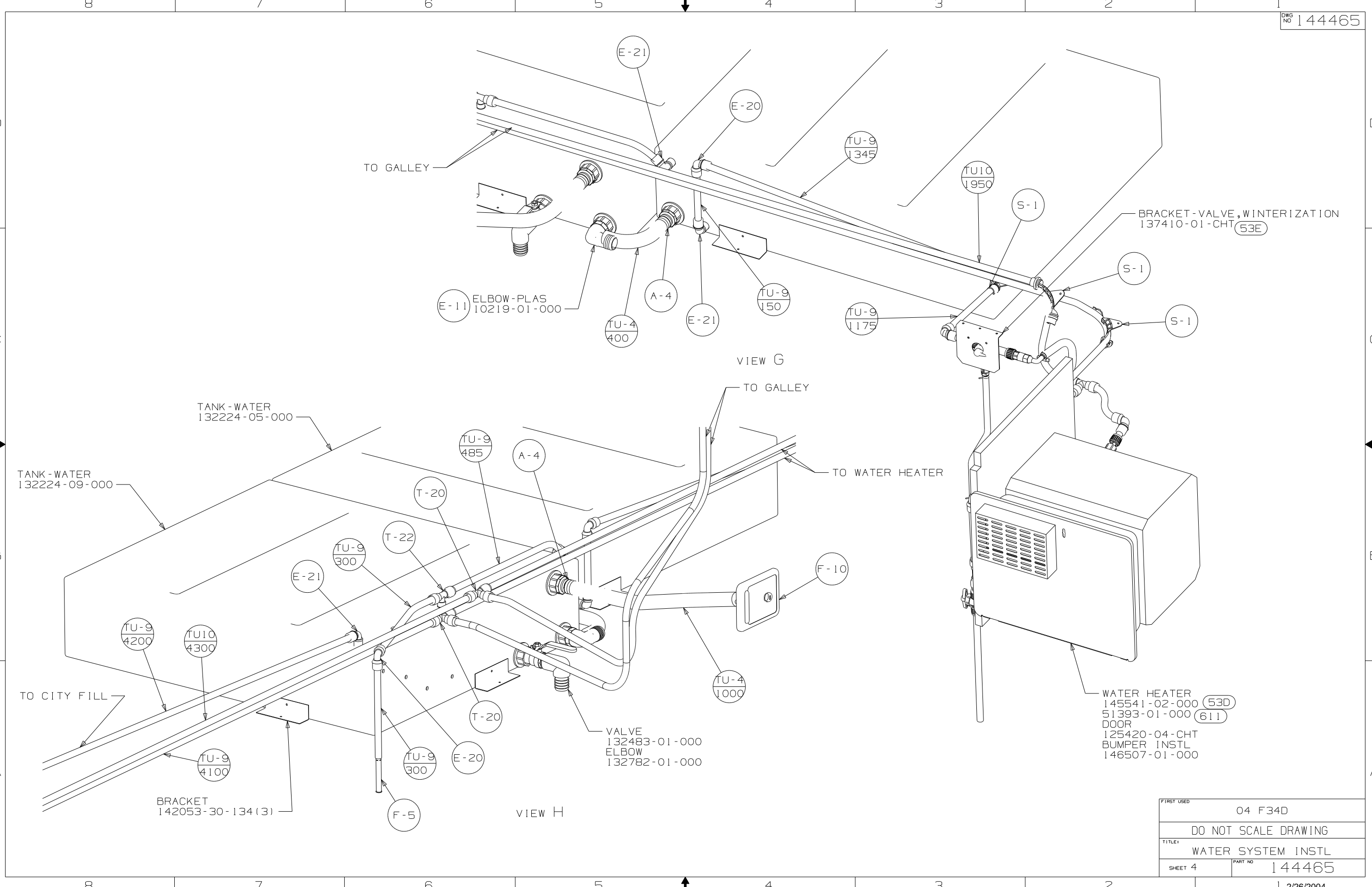


VIEW B
43H



VIEW C
BRACKETS REMOVED

FIRST USED	04 F34D
TITLE	DO NOT SCALE DRAWING
TITLE	WATER SYSTEM INSTL
SHEET 2	PART NO 144465



FIRST USED	04 F34D
DO NOT SCALE DRAWING	
TITLE	WATER SYSTEM INSTL
SHEET 4	PART NO 144465