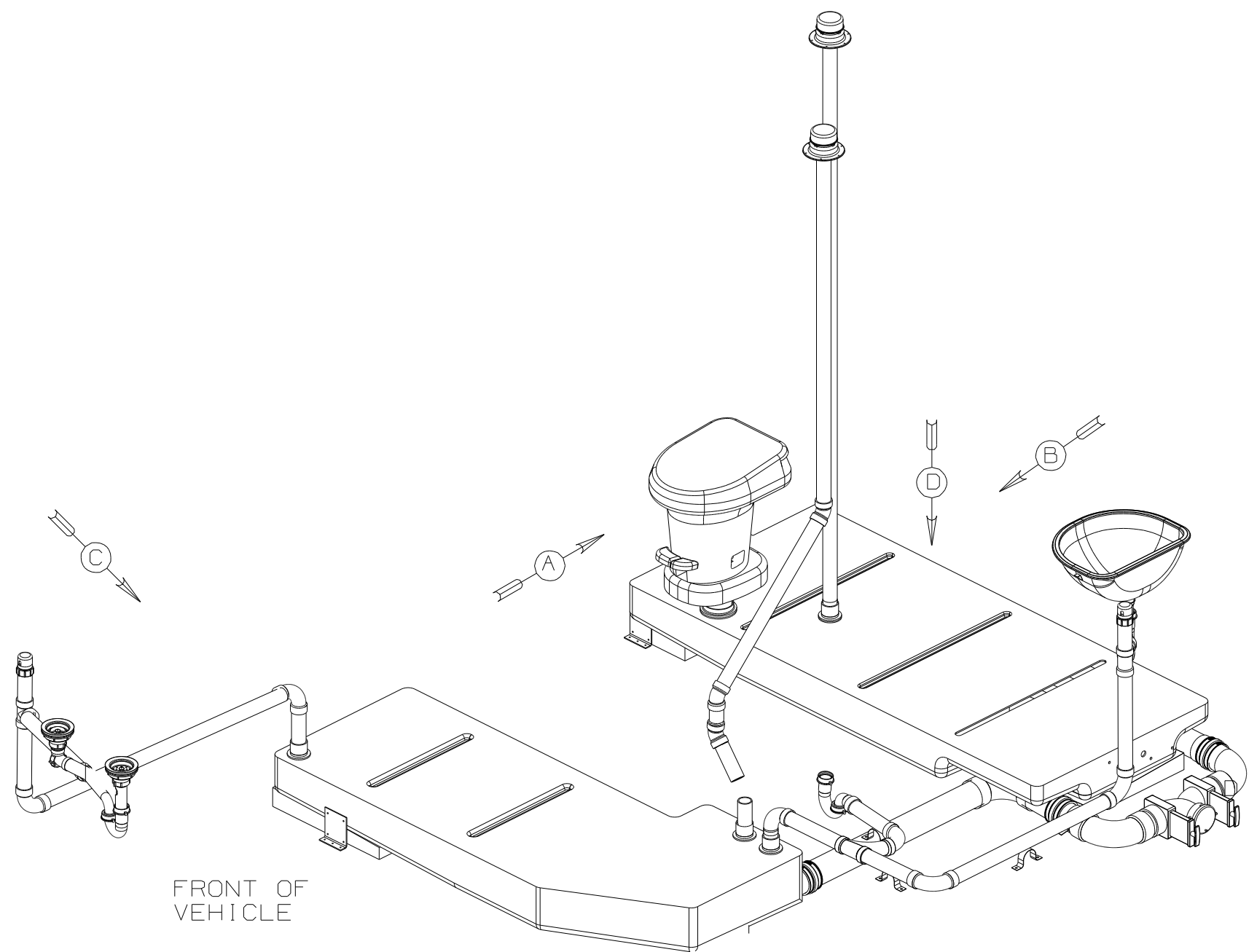


DWG NO	-----
144945-01	(WIN)
144945-02	(ITA)

RELEASE	REV DATE	DWG NO	144945
REV ZONE	REVISION RECORD	DATE	DFTR-ORIG



9. SECURE TO FLOOR WITH BRACKET 136878-01-CHT, CLAMP 62401-02-000, AND SCREW G67-10-12B.
8. TRIM TO FIT.
7. VENT PIPE MUST PROJECT 51 MIN AND 64 MAX ABOVE ROOF FOR PROPER FIT AND FUNCTION.
6. ROF CANADIAN UNITS EACH HOLDING TANK SHALL HAVE A CSA APPROVAL STAMPED NEAR THE IAMPO APPROVAL.
5. SEAL AROUND SHOWER WITH SILICONE.
4. ALL EXTERIOR OPENINGS AROUND PIPE TO BE SEALED WITH 100744-01-000.
3. ALL PIPE AND FITTINGS TO BE ASSEMBLED WITH SOLVENT 4020-01-000.
2. SLOPE OF TRAP ARM MUST BE 6 PER 305 mm.
1. SLOPE OF HORIZONTAL PIPING TO BE 6 PER 305 mm.

- (WIN) WINNEBAGO ONLY
- (ITA) ITASCA ONLY
- (265) CODES/STANDARDS-CSA/CMVSS
- (1B1) CODES/STANDARDS-USA

<b>WINNEBAGO</b>		COPYRIGHT 2004 WINNEBAGO INDUSTRIES, INC.	
DFTR	ORIG. DATE	ALL DIMENSIONS ARE IN MILLIMETERS	
CHKR		FIRST USED	
P.E.		04 F32V	
M.E.		UNSPECIFIED TOLERANCES ARE:	
DSNR		MATERIAL:	
		WHOLE DIM (X)	: 3
		ONE-PLACE (X.X)	:
		TWO-PLACE (X.XX)	:
		ANGLE	:
		THIRD ANGLE PROJECTION	
DO NOT SCALE DRAWING			
TITLE: DRAINAGE SYSTEM INSTL			
SHEET 1 OF 3	PART NO	144945	

(X-X)  
FOR  
DRAINAGE  
CALLOUTS  
SEE DWG NO.  
116229-01-000

- SINK-SMC, DBL L/S BASIN
- 148870-01-CHT
- STRAINER
- 92303-01-000 (2)
- BRACKET
- 140002-01-CHT (8)
- SCREW
- 142261-02-CHT (20)
- WASHER-RUBBER
- 127440-02-CHT (2)
- SEAL (A/R)

- SINK
- 142285-01-CHT
- SCREW
- G67-08-10U (6)
- SEAL (A/R)
- GASKET
- 106116-02-CHT
- TAILPIECE
- 106116-01-CHT

- SHOWER INSTL - ENCLOSURE
- 147874-01-000
- STRAINER
- 66440-01-000
- RUBBER WASHER
- 127440-02-CHT
- TAIL PIECE
- 11069-02-000
- NUT
- 130403-01-000

- TOILET
- 140798-01-CHT
- SCREW
- 87721-01-000 (8)

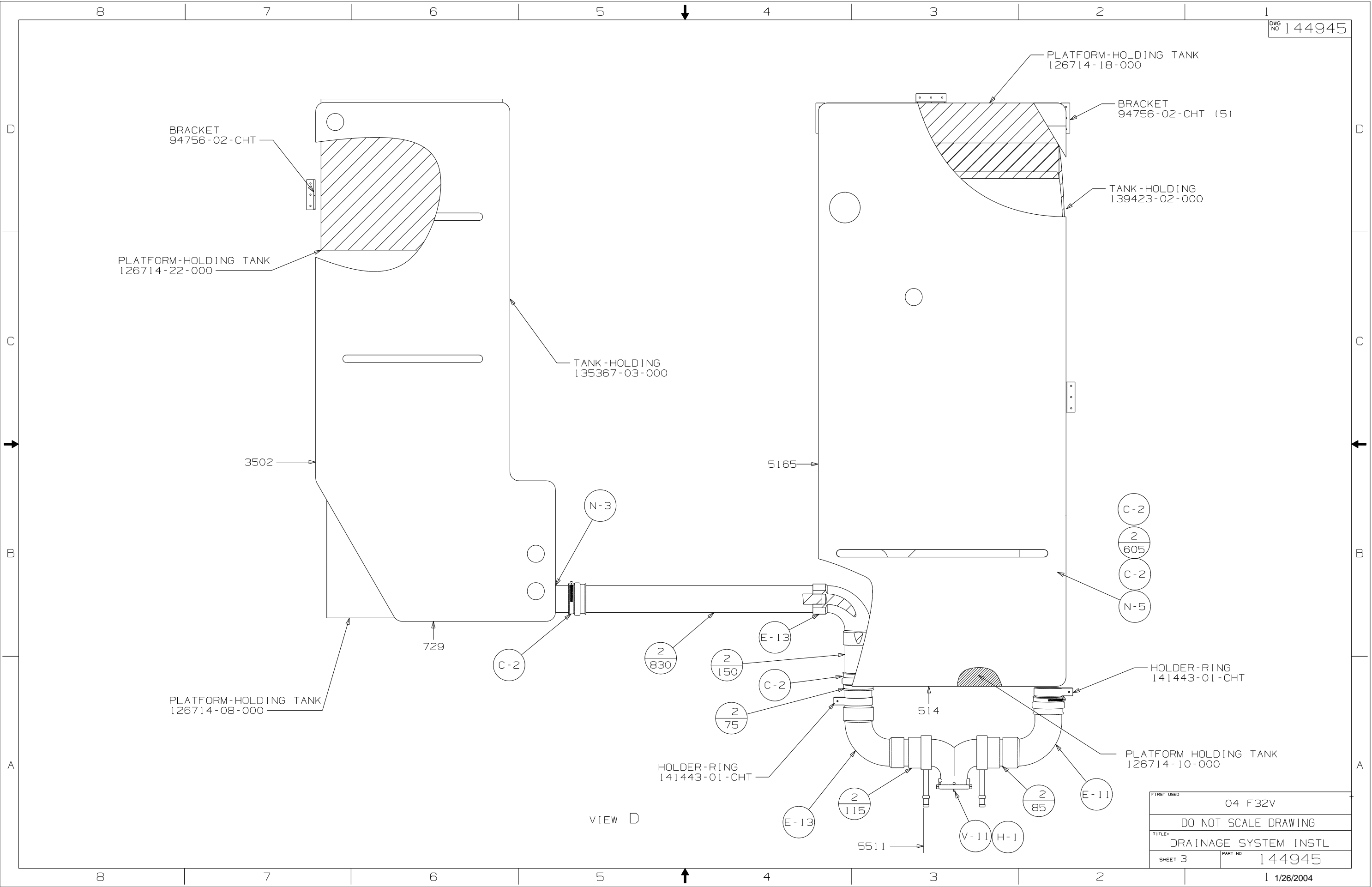
- STRAP-CONDUIT
- 008406-01-000 (3)
- SCREW
- G64-10-12B (6)

VIEW A

VIEW C

VIEW B (SHOWER PAN REMOVED)

FIRST USED	04 F32V
TITLE	DO NOT SCALE DRAWING
TITLE	DRAINAGE SYSTEM INSTL
SHEET 2	PART NO 144945



BRACKET  
94756-02-CHT

PLATFORM-HOLDING TANK  
126714-22-000

TANK-HOLDING  
135367-03-000

PLATFORM-HOLDING TANK  
126714-18-000

BRACKET  
94756-02-CHT (5)

TANK-HOLDING  
139423-02-000

3502

5165

N-3

C-2

2  
605

C-2

N-5

729

C-2

2  
830

2  
150

E-13

C-2

2  
75

514

HOLDER-RING  
141443-01-CHT

PLATFORM-HOLDING TANK  
126714-08-000

HOLDER-RING  
141443-01-CHT

PLATFORM HOLDING TANK  
126714-10-000

E-13

2  
115

2  
85

E-11

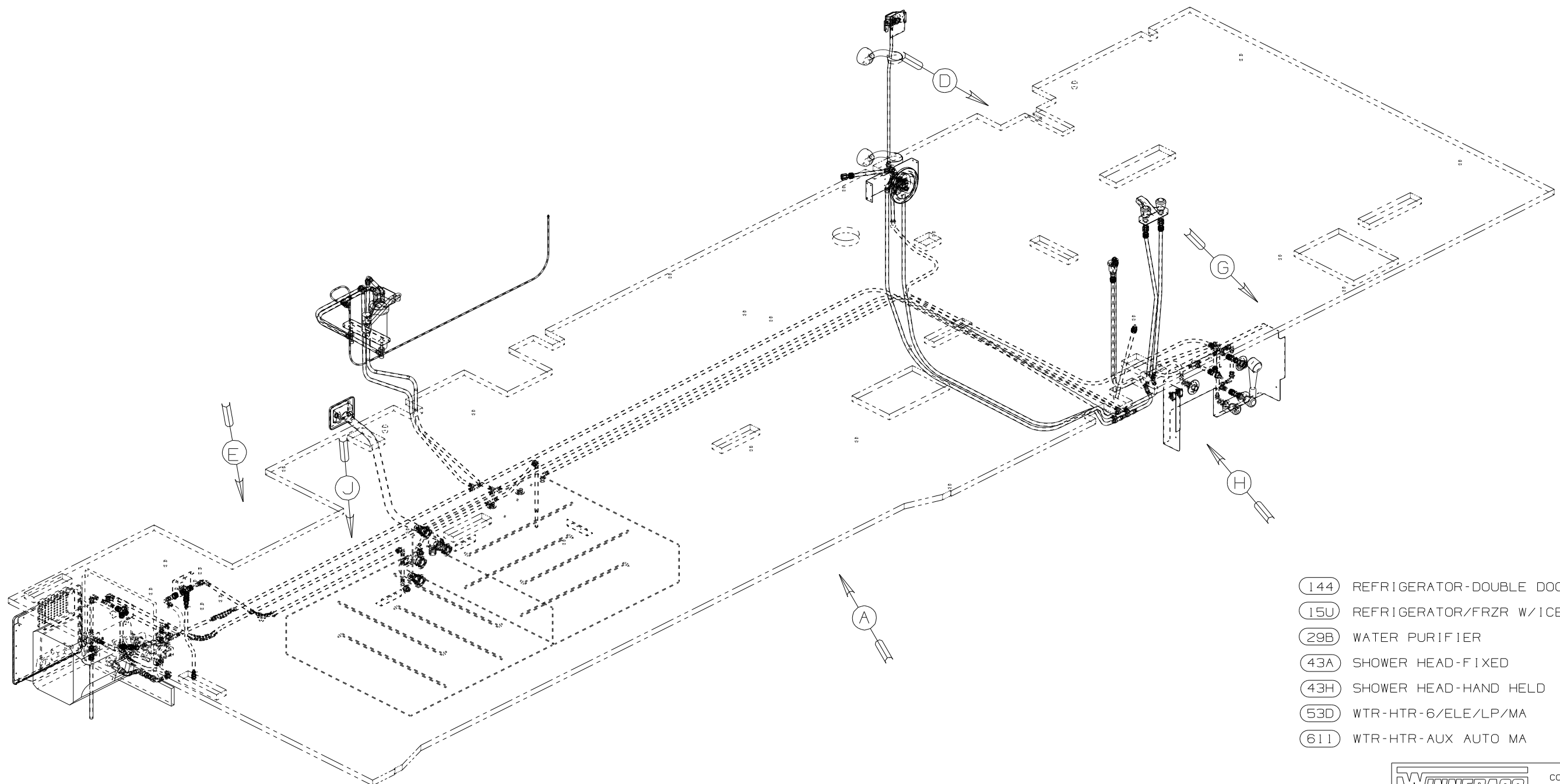
5511

V-11

H-1

VIEW D

FIRST USED	04 F32V
DO NOT SCALE DRAWING	
TITLE	DRAINAGE SYSTEM INSTL
SHEET 3	PART NO 144945



- (144) REFRIGERATOR-DOUBLE DOOR
- (15U) REFRIGERATOR/FRZR W/ICE MAKER
- (29B) WATER PURIFIER
- (43A) SHOWER HEAD-FIXED
- (43H) SHOWER HEAD-HAND HELD
- (53D) WTR-HTR-6/ELE/LP/MA
- (611) WTR-HTR-AUX AUTO MA

- ▲ 7 ADD TEFLON TAPE 10405-03-000.
- ▲ 6 ADD TEFLON TAPE 10405-01-000.
- ▲ 5 ADD TEFLON TAPE 10405-02-000.
- ▲ 4 FLUSHING SYSTEM REQUIRES 125697-06-000 INSTRUCTION SHEET.

3. ALL TUBING TO BE SECURED AT 1200 INTERVALS MAXIMUM WITH CLAMP 10495-01-000 OR CLIP 9151-01-000 AND SCREW 667-10-12B.
2. TUBING TO BE INSTALLED WITH SUFFICIENT SLOPE TO PROVIDE DRAINAGE TO NEAREST VALVE.
1. PLASTIC FITTINGS TO BE SEALED WITH SEALANT 84456-01-000.

NOTES:

(X-X)  
FOR  
WATER  
CALLOUTS  
SEE DWG NO  
116230-01-000

<b>WINNEBAGO</b>		COPYRIGHT 2004 WINNEBAGO INDUSTRIES, INC.	
DFTR	ORIG. DATE	ALL DIMENSIONS ARE IN MILLIMETERS	
CHKR		FIRST USED	
P.E.		04 F32V, FORD	
M.E.		UNSPECIFIED TOLERANCES ARE:	
DSNR		MATERIAL:	
		WHOLE DIM (X) :	7
		ONE-PLACE (X.X) :	
		TWO-PLACE (X.XX) :	
		ANGLE :	
THIRD ANGLE PROJECTION		DO NOT SCALE DRAWING	
TITLE: WATER SYSTEM INSTL			
SHEET 1 OF 4		PART NO 144944	
REF: 141638 1 2/26/2004			

FAUCET-GALLEY, SGL CONTROL  
141432-01-CHT  
SPACER-FAUCET  
137079-02-CHT

BRACKET ASM-SHOWER HEAD  
133727-01-CHT

PLATE-COVER, SHOWER HEAD  
131549-01-CHT

(N-1) HAND HELD SHOWER  
129390-03-CHT  
ELBOW  
135028-02-CHT  
SPACER  
130041-03-CHT

VALVE-SHOWER HEAD  
128974-01-CHT (43A)

FAUCET-VALVE  
144596-02-CHT

FAUCET-VALVE  
144596-01-CHT

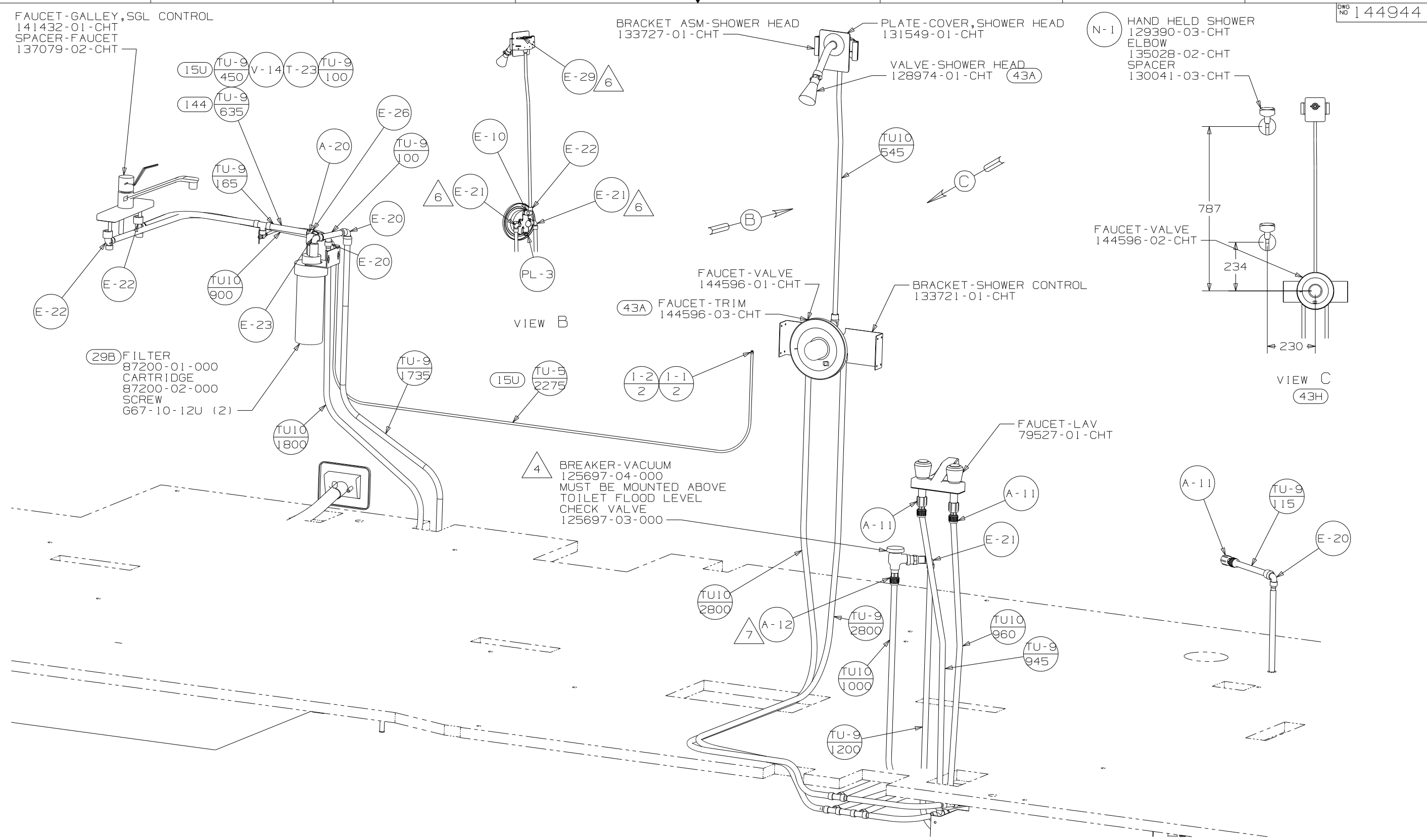
BRACKET-SHOWER CONTROL  
133721-01-CHT

(43A) FAUCET-TRIM  
144596-03-CHT

FAUCET-LAV  
79527-01-CHT

(4) BREAKER-VACUUM  
125697-04-000  
MUST BE MOUNTED ABOVE  
TOILET FLOOD LEVEL  
CHECK VALVE  
125697-03-000

(29B) FILTER  
87200-01-000  
CARTRIDGE  
87200-02-000  
SCREW  
G67-10-12U (2)

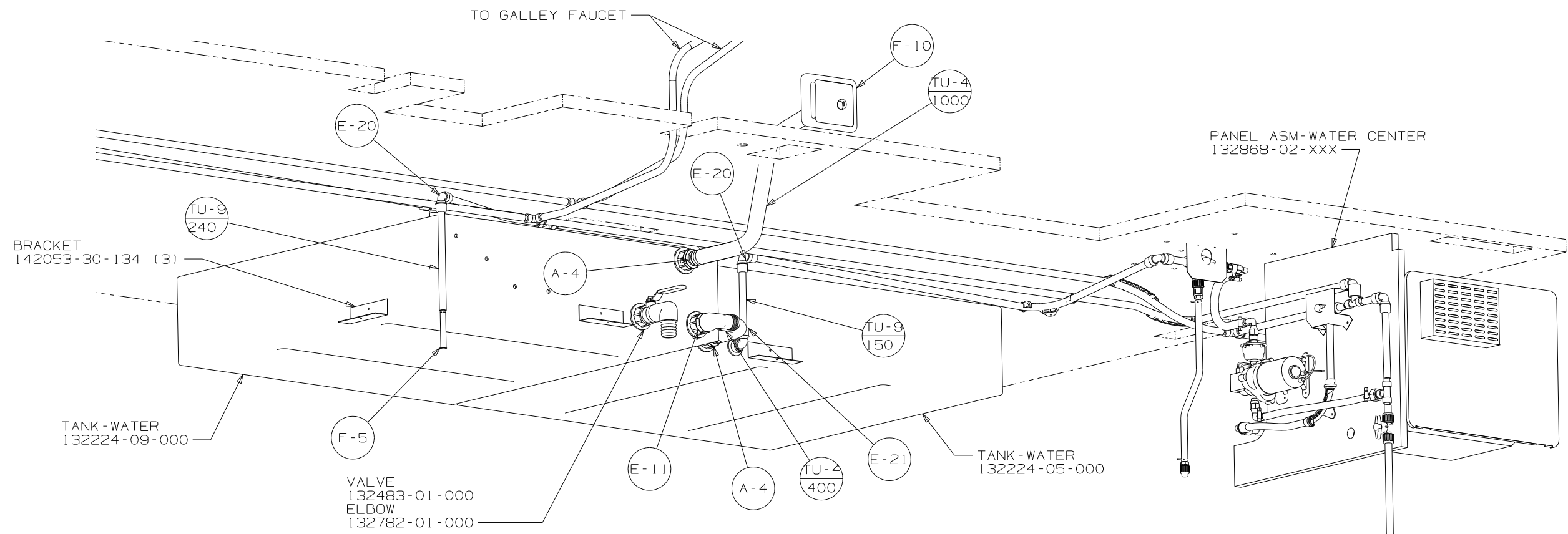


VIEW B

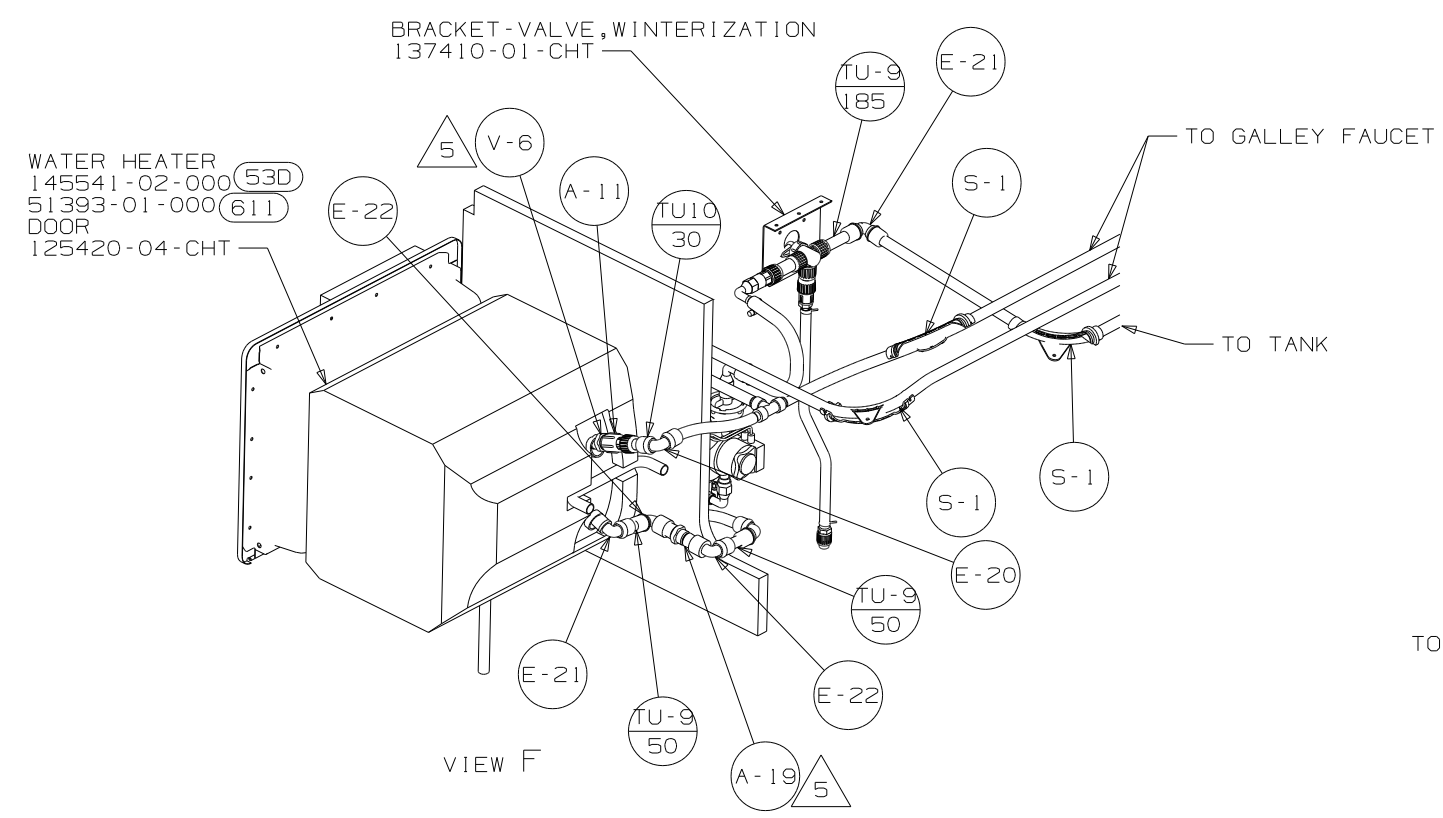
VIEW C  
(43H)

VIEW A

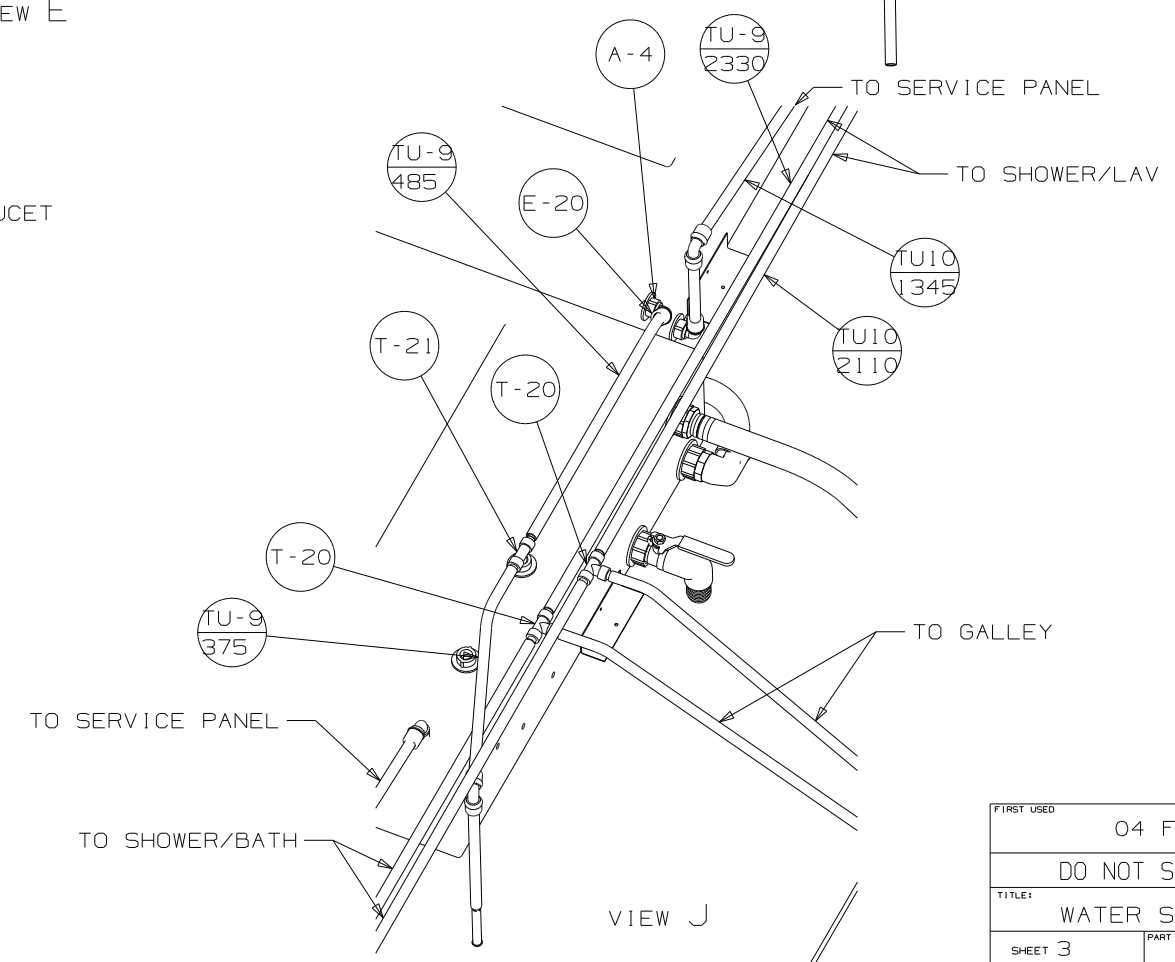
FIRST USED	04 F32V, FORD
TITLE	DO NOT SCALE DRAWING
TITLE	WATER SYSTEM INSTL
SHEET 2	PART NO 144944



VIEW E

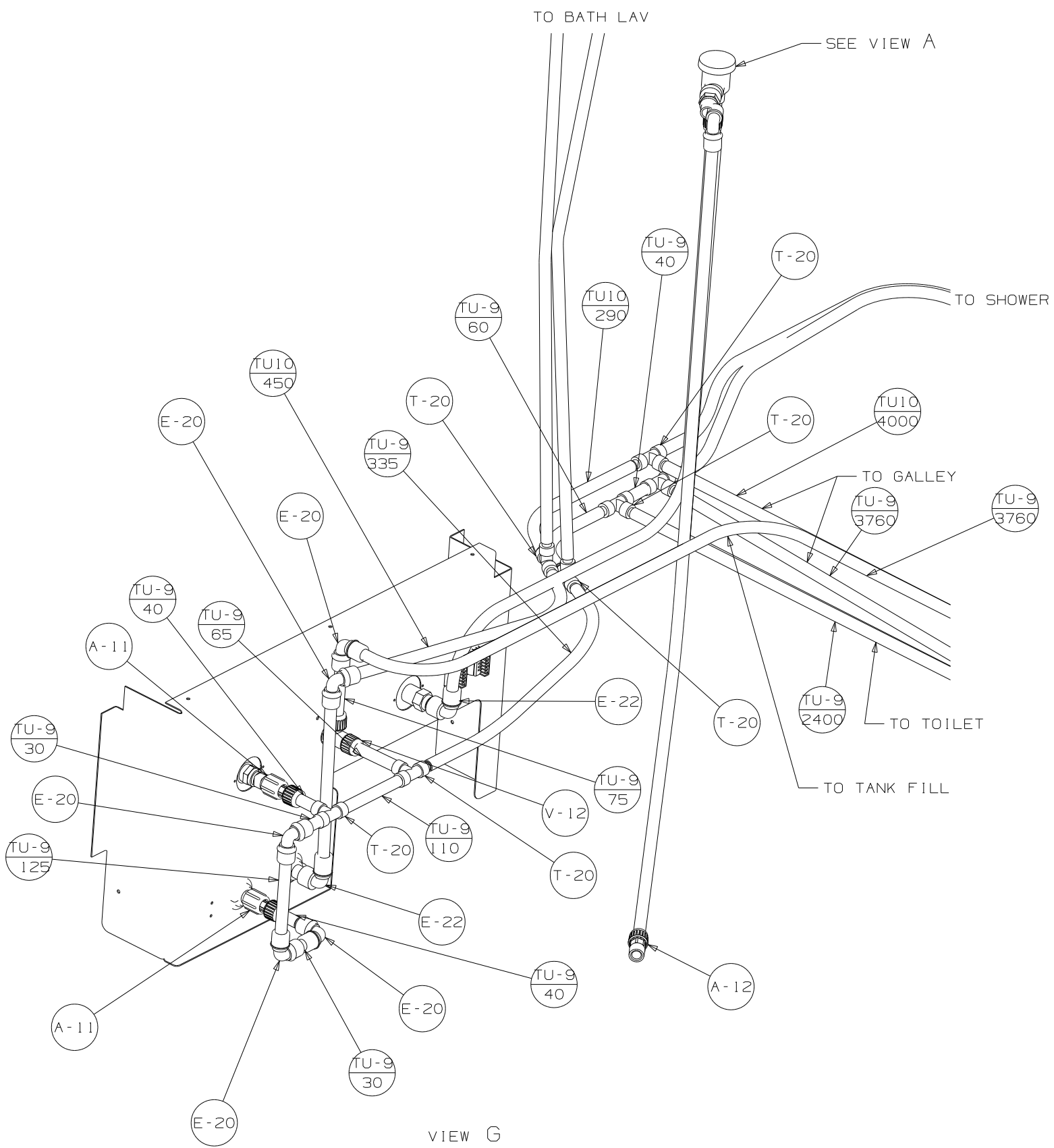


VIEW F



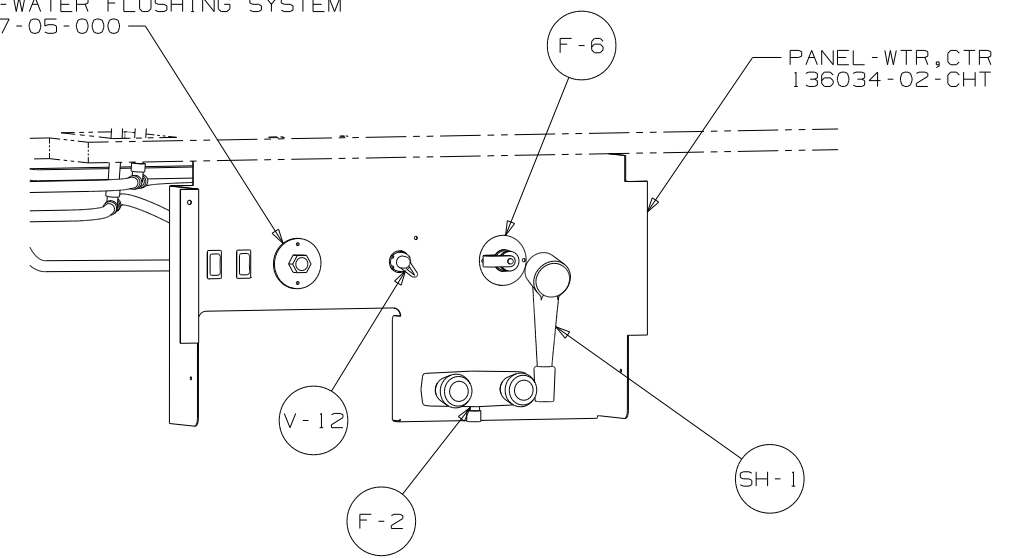
VIEW J

FIRST USED	04 F32V, FORD
TITLE	DO NOT SCALE DRAWING
SHEET 3	PART NO 144944



VIEW G

INLET-WATER FLUSHING SYSTEM  
125697-05-000



VIEW H

FIRST USED	04 F32V, FORD
TITLE	DO NOT SCALE DRAWING
SHEET 4	PART NO 144944