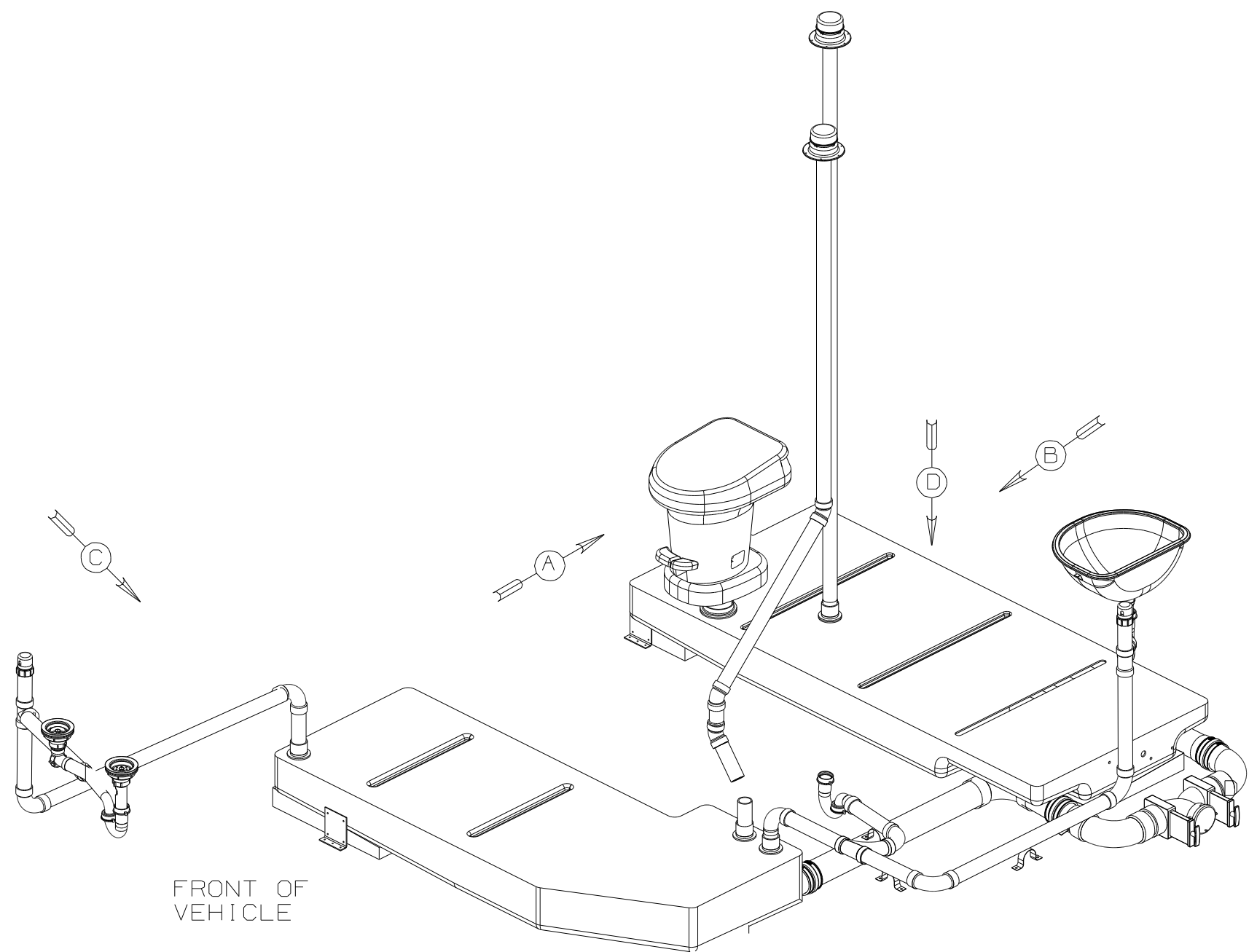


DWG NO	----
144945-01	(WIN)
144945-02	(ITA)

RELEASE	REV DATE	DWG NO	144945
REV ZONE	REVISION RECORD	DATE	DFTR-ORIG



9. SECURE TO FLOOR WITH BRACKET 136878-01-CHT, CLAMP 62401-02-000, AND SCREW G67-10-12B.
8. TRIM TO FIT.
7. VENT PIPE MUST PROJECT 51 MIN AND 64 MAX ABOVE ROOF FOR PROPER FIT AND FUNCTION.
6. ROF CANADIAN UNITS EACH HOLDING TANK SHALL HAVE A CSA APPROVAL STAMPED NEAR THE IAMPO APPROVAL.
5. SEAL AROUND SHOWER WITH SILICONE.
4. ALL EXTERIOR OPENINGS AROUND PIPE TO BE SEALED WITH 100744-01-000.
3. ALL PIPE AND FITTINGS TO BE ASSEMBLED WITH SOLVENT 4020-01-000.
2. SLOPE OF TRAP ARM MUST BE 6 PER 305 mm.
1. SLOPE OF HORIZONTAL PIPING TO BE 6 PER 305 mm.

- (WIN) WINNEBAGO ONLY
- (ITA) ITASCA ONLY
- (265) CODES/STANDARDS-CSA/CMVSS
- (1B1) CODES/STANDARDS-USA

WINNEBAGO		COPYRIGHT 2004 WINNEBAGO INDUSTRIES, INC.	
DFTR	ORIG. DATE	ALL DIMENSIONS ARE IN MILLIMETERS	
CHKR		MATERIAL: 04 F32V	
P.E.		UNSPECIFIED TOLERANCES ARE:	
M.E.	FIRST USED	WHOLE DIM (X)	: 3
DSNR		ONE-PLACE (X.X)	:
		TWO-PLACE (X.XX)	:
		ANGLE	:
THIRD ANGLE PROJECTION		DO NOT SCALE DRAWING	
TITLE: DRAINAGE SYSTEM INSTL			
SHEET 1 OF 3		PART NO 144945	

(X-X)
FOR
DRAINAGE
CALLOUTS
SEE DWG NO.
116229-01-000

- SINK-SMC, DBL L/S BASIN
- 148870-01-CHT
- STRAINER
- 92303-01-000 (2)
- BRACKET
- 140002-01-CHT (8)
- SCREW
- 142261-02-CHT (20)
- WASHER-RUBBER
- 127440-02-CHT (2)
- SEAL (A/R)

- SINK
- 142285-01-CHT
- SCREW
- G67-08-10U (6)
- SEAL (A/R)
- GASKET
- 106116-02-CHT
- TAILPIECE
- 106116-01-CHT

- SHOWER INSTL - ENCLOSURE
- 147874-01-000
- STRAINER
- 66440-01-000
- RUBBER WASHER
- 127440-02-CHT
- TAIL PIECE
- 11069-02-000
- NUT
- 130403-01-000

- TOILET
- 140798-01-CHT
- SCREW
- 87721-01-000 (8)

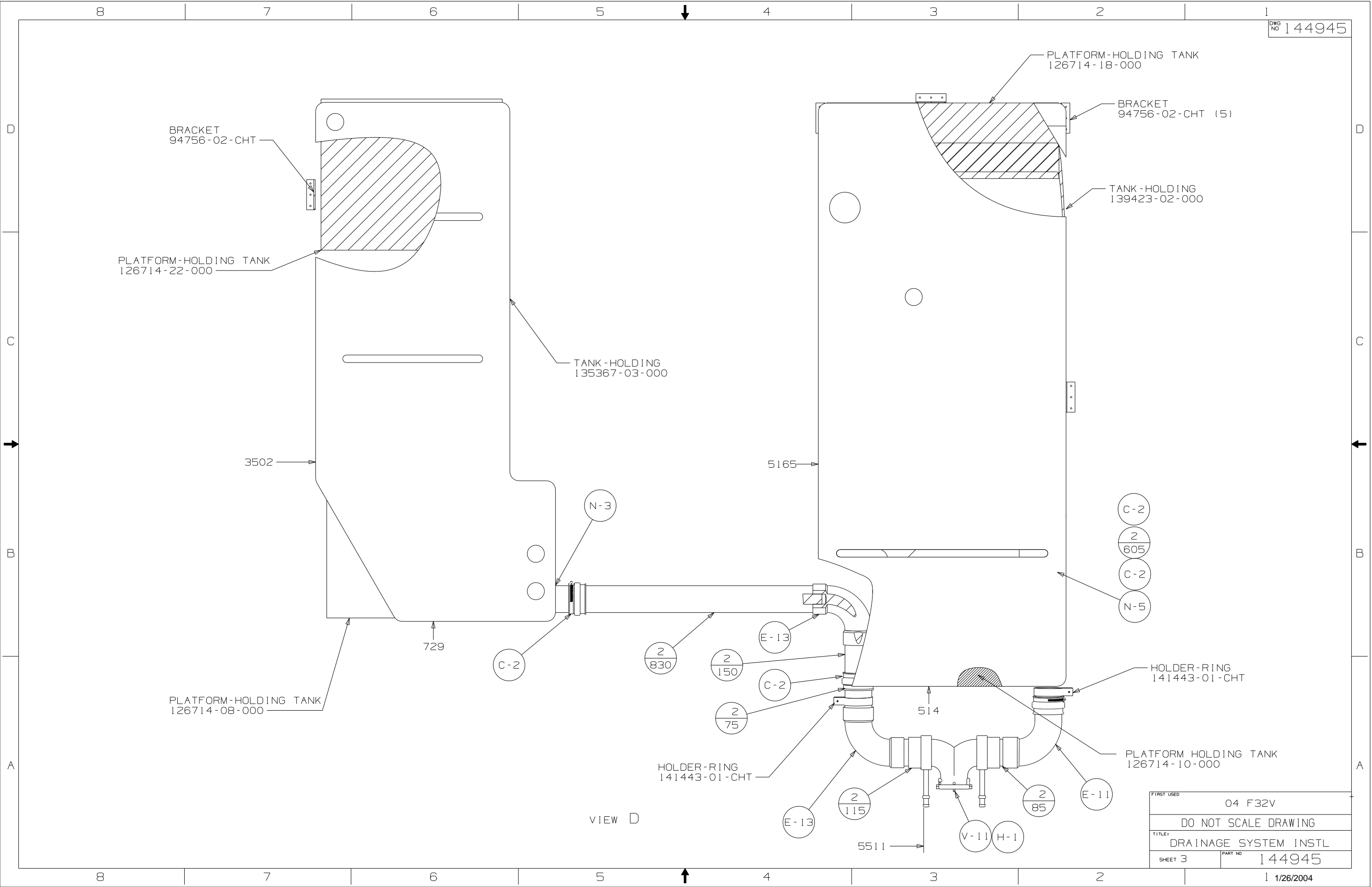
- STRAP-CONDUIT
- 008406-01-000 (3)
- SCREW
- G64-10-12B (6)

VIEW A

VIEW C

VIEW B (SHOWER PAN REMOVED)

FIRST USED	04 F32V
TITLE	DO NOT SCALE DRAWING
TITLE	DRAINAGE SYSTEM INSTL
SHEET 2	PART NO 144945



BRACKET
94756-02-CHT

PLATFORM-HOLDING TANK
126714-22-000

PLATFORM-HOLDING TANK
126714-08-000

TANK-HOLDING
135367-03-000

PLATFORM-HOLDING TANK
126714-18-000

BRACKET
94756-02-CHT (5)

TANK-HOLDING
139423-02-000

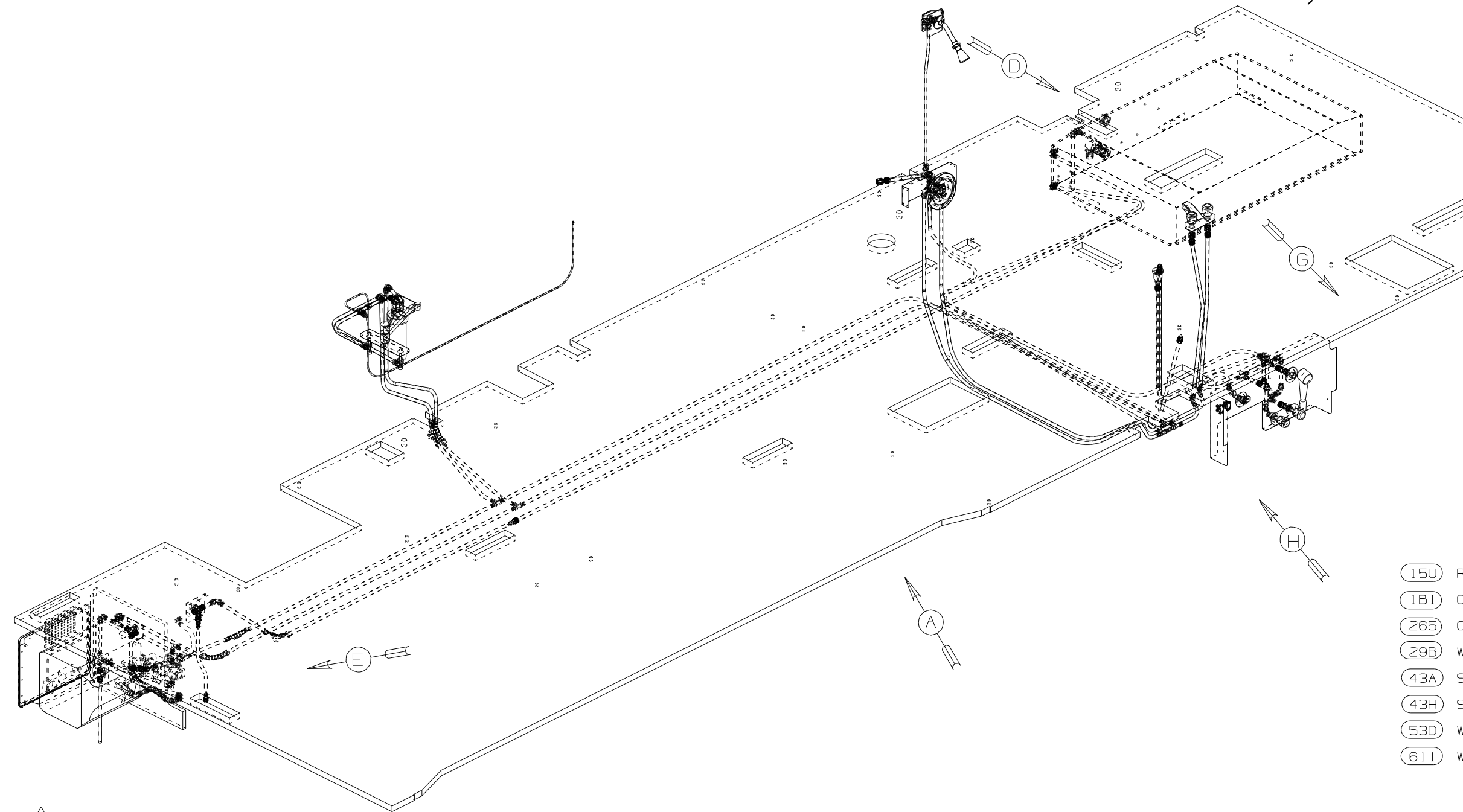
HOLDER-RING
141443-01-CHT

PLATFORM HOLDING TANK
126714-10-000

VIEW D

FIRST USED	04 F32V
DO NOT SCALE DRAWING	
TITLE	DRAINAGE SYSTEM INSTL
SHEET 3	PART NO 144945

RELEASE	REV DATE	DWG NO	144943
REV ZONE	REVISION RECORD		DATE
X X	X	XX/XX/XX	X



- (15U) REFRIGERATOR/FRZR W/ICEMAKER
- (1B1) CODES/STANDARDS-USA
- (265) CODES/STANDARDS-CSA/CMVSS
- (29B) WATER PURIFIER
- (43A) SHOWER HEAD-FIXED
- (43H) SHOWER HEAD-HAND HELD
- (53D) WTR-HTR-6/ELE/LP/MA
- (611) WTR-HTR-AUX AUTO MA

- 7 ADD TEFLON TAPE 10405-03-000.
- 6 ADD TEFLON TAPE 10405-01-000.
- 5 ADD TEFLON TAPE 10405-02-000.
- 4 FLUSHING SYSTEM REQUIRES 125697-06-000 INSTRUCTION SHEET.

- 3. ALL TUBING TO BE SECURED AT 1200 INTERVALS MAXIMUM WITH CLAMP 10495-01-000 OR CLIP 9151-01-000 AND SCREW 667-10-12B.
- 2. TUBING TO BE INSTALLED WITH SUFFICIENT SLOPE TO PROVIDE DRAINAGE TO NEAREST VALVE.
- 1. PLASTIC FITTINGS TO BE SEALED WITH SEALANT 84456-01-000.

NOTES:

(X-X)
FOR WATER CALLOUTS SEE DWG NO 116230-01-000

WINNEBAGO COPYRIGHT 2004 WINNEBAGO INDUSTRIES, INC.

DFTR	ORIG. DATE
CHKR	ALL DIMENSIONS ARE IN MILLIMETERS
P.E.	
M.E.	FIRST USED
DSNR	04 F32V, WH

UNSPECIFIED TOLERANCES ARE:
 WHOLE DIM (X) : 7
 ONE-PLACE (X.X) : 1.5
 TWO-PLACE (X.XX) : 0.50
 ANGLE : 1°

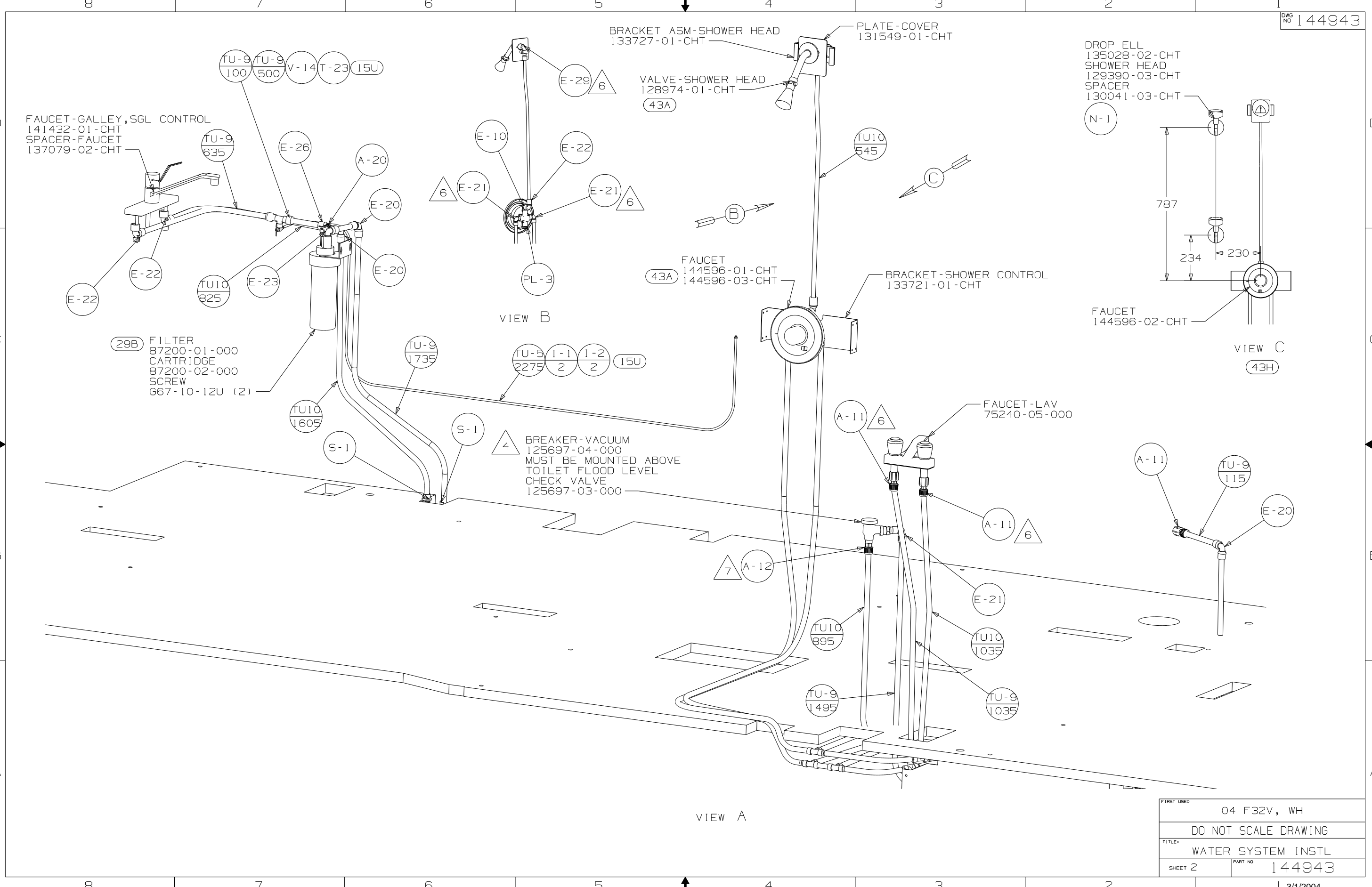
THIRD ANGLE PROJECTION

DO NOT SCALE DRAWING

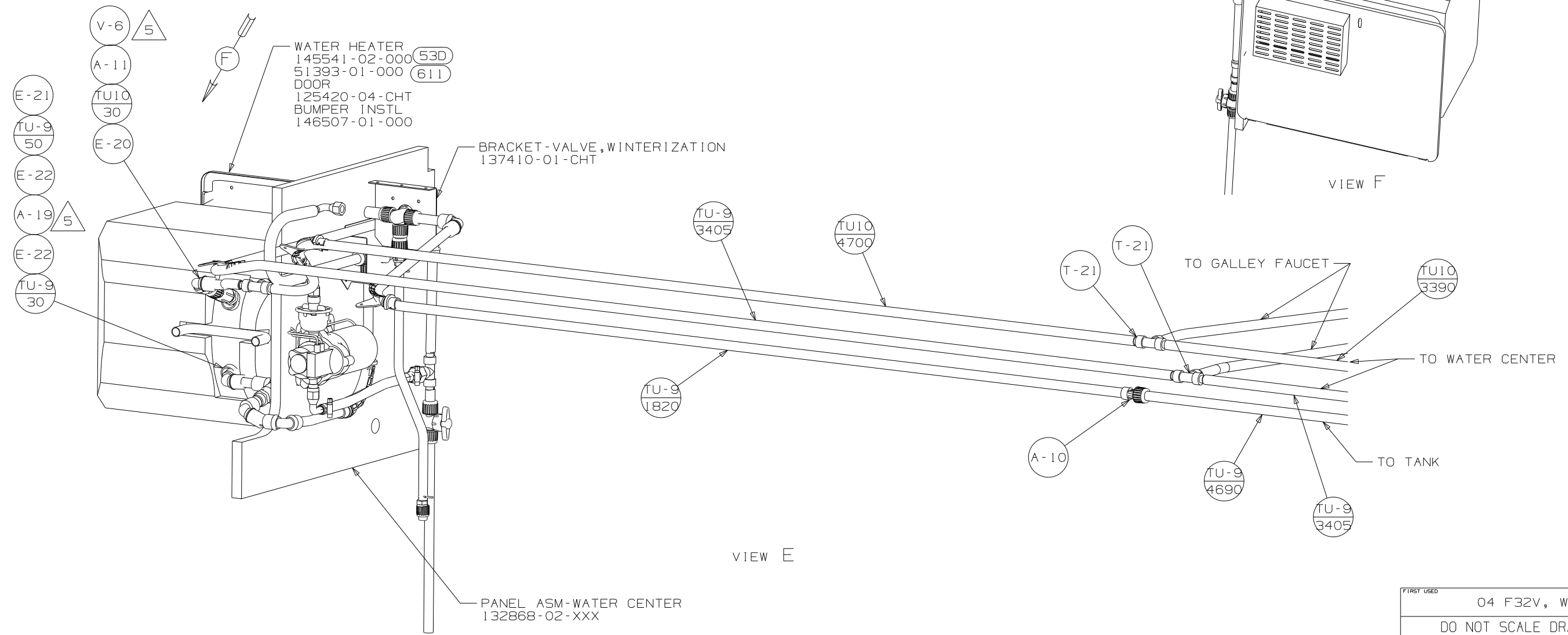
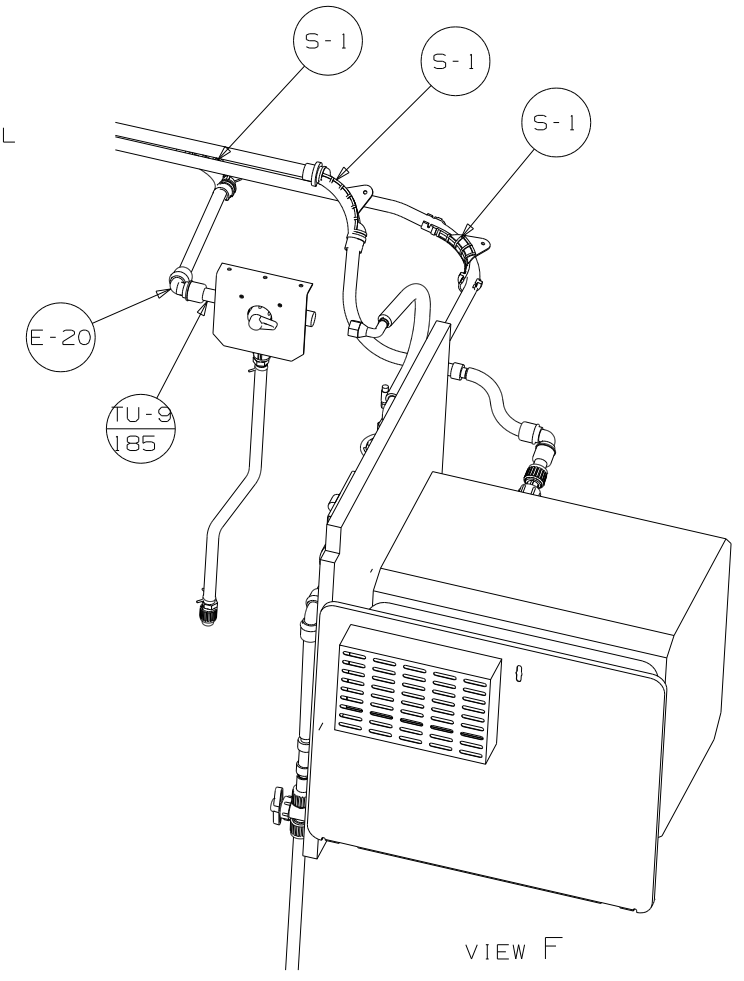
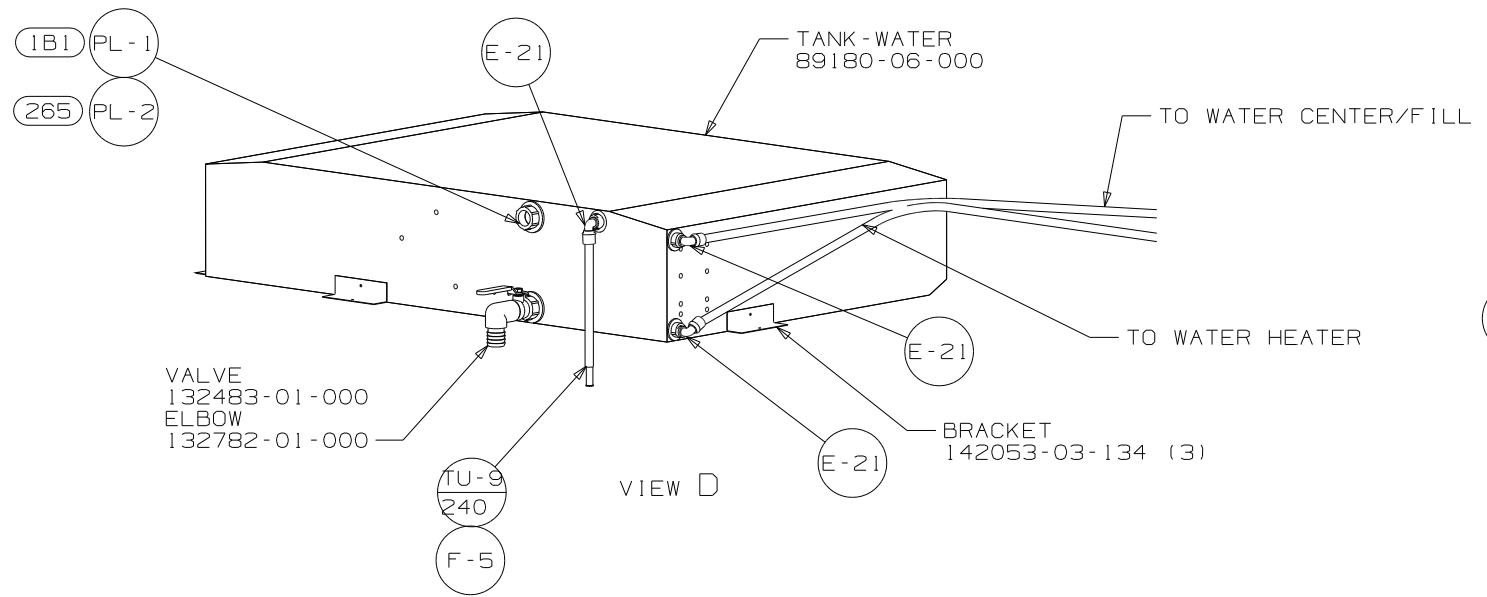
TITLE: WATER SYSTEM INSTL

SHEET 1 OF 4 PART NO 144943

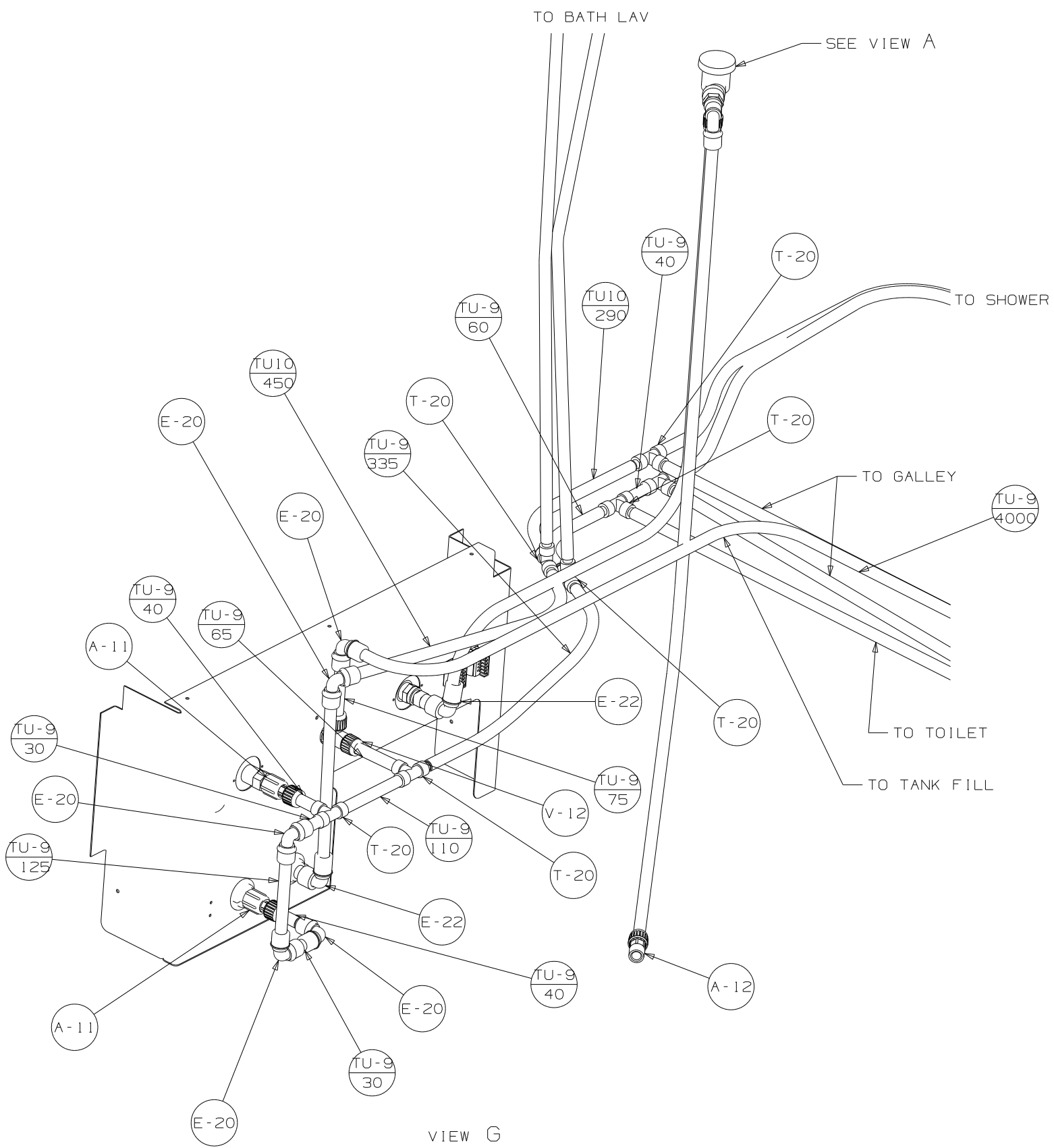
REF: 141886 1 3/1/2004



FIRST USED	04 F32V, WH
TITLE	DO NOT SCALE DRAWING
TITLE	WATER SYSTEM INSTL
SHEET 2	PART NO 144943

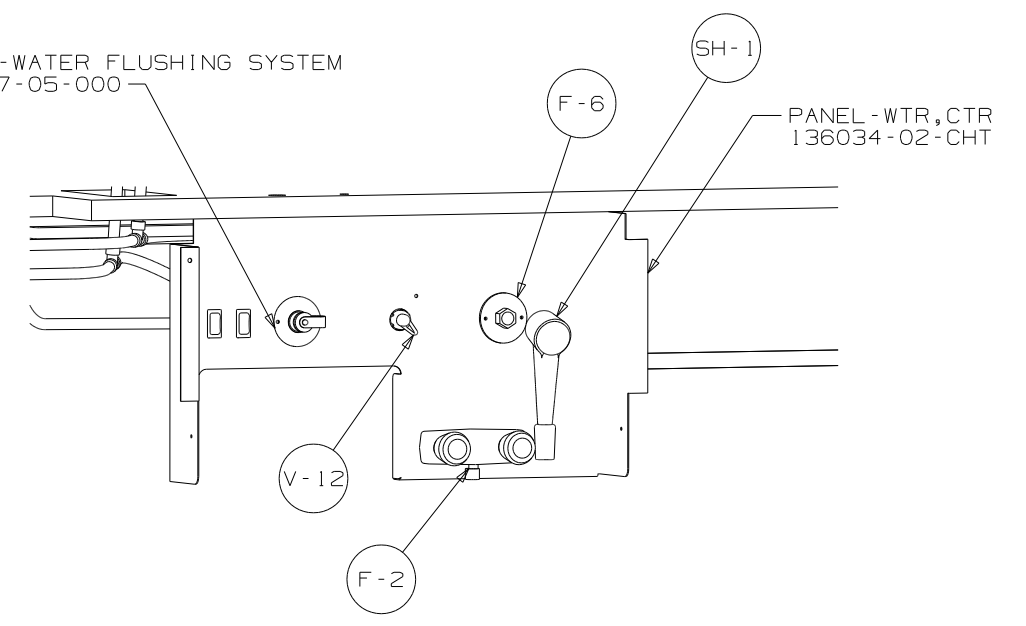


FIRST USED	04 F32V, WH
TITLE	DO NOT SCALE DRAWING
TITLE	WATER SYSTEM INSTL
SHEET 3	PART NO 144943



VIEW G

INLET-WATER FLUSHING SYSTEM
125697-05-000



VIEW H

FIRST USED	04 F32V, WH
TITLE	DO NOT SCALE DRAWING
SHEET 4	PART NO 144943