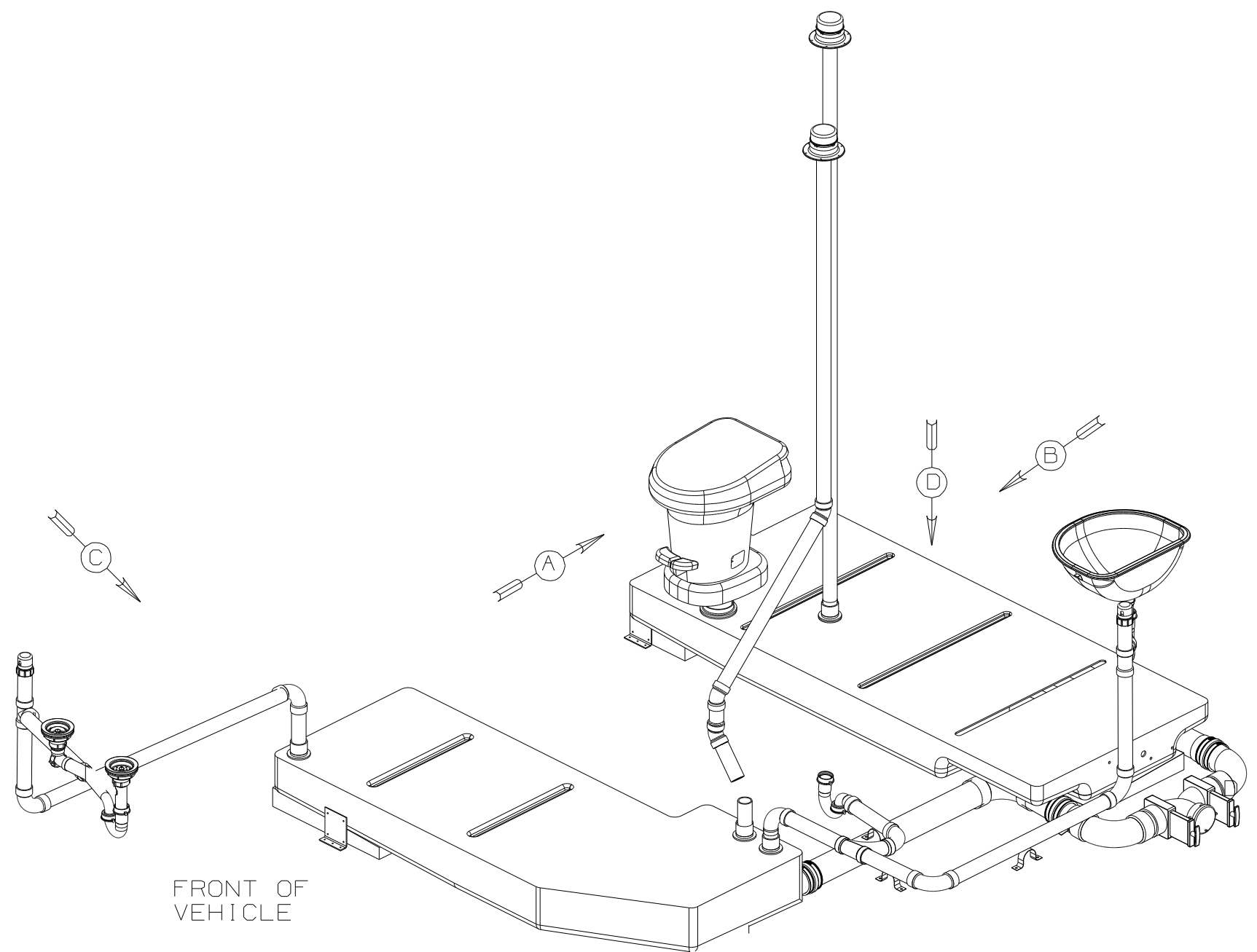


DWG NO	----
144945-01	(WIN)
144945-02	(ITA)

RELEASE	REV DATE	DWG NO	144945
REV ZONE	REVISION RECORD	DATE	DFTR-ORIG



9. SECURE TO FLOOR WITH BRACKET 136878-01-CHT, CLAMP 62401-02-000, AND SCREW G67-10-12B.
8. TRIM TO FIT.
7. VENT PIPE MUST PROJECT 51 MIN AND 64 MAX ABOVE ROOF FOR PROPER FIT AND FUNCTION.
6. ROF CANADIAN UNITS EACH HOLDING TANK SHALL HAVE A CSA APPROVAL STAMPED NEAR THE IAMPO APPROVAL.
5. SEAL AROUND SHOWER WITH SILICONE.
4. ALL EXTERIOR OPENINGS AROUND PIPE TO BE SEALED WITH 100744-01-000.
3. ALL PIPE AND FITTINGS TO BE ASSEMBLED WITH SOLVENT 4020-01-000.
2. SLOPE OF TRAP ARM MUST BE 6 PER 305 mm.
1. SLOPE OF HORIZONTAL PIPING TO BE 6 PER 305 mm.

- (WIN) WINNEBAGO ONLY
- (ITA) ITASCA ONLY
- (265) CODES/STANDARDS-CSA/CMVSS
- (1B1) CODES/STANDARDS-USA

WINNEBAGO		COPYRIGHT 2004 WINNEBAGO INDUSTRIES, INC.	
DFTR	ORIG. DATE	ALL DIMENSIONS ARE IN MILLIMETERS	
CHKR		MATERIAL:	
P.E.		UNSPECIFIED TOLERANCES ARE:	
M.E.	FIRST USED	WHOLE DIM (X)	: 3
DSNR	04 F32V	ONE-PLACE (X.X)	:
		TWO-PLACE (X.XX)	:
		ANGLE	:
		THIRD ANGLE PROJECTION	⊕
DO NOT SCALE DRAWING			
TITLE: DRAINAGE SYSTEM INSTL			
SHEET 1 OF 3	PART NO	144945	

(X-X)
FOR
DRAINAGE
CALLOUTS
SEE DWG NO.
116229-01-000

SINK-SMC, DBL L/S BASIN
 148870-01-CHT
 STRAINER
 92303-01-000 (2)
 BRACKET
 140002-01-CHT (8)
 SCREW
 142261-02-CHT (20)
 WASHER-RUBBER
 127440-02-CHT (2)
 SEAL (A/R)

SINK
 142285-01-CHT
 SCREW
 G67-08-10U (6)
 SEAL (A/R)
 GASKET
 106116-02-CHT
 TAILPIECE
 106116-01-CHT

SHOWER INSTL - ENCLOSURE
 147874-01-000
 STRAINER
 66440-01-000
 RUBBER WASHER
 127440-02-CHT
 TAIL PIECE
 11069-02-000
 NUT
 130403-01-000

STRAP-CONDUIT
 008406-01-000 (3)
 SCREW
 G64-10-12B (6)

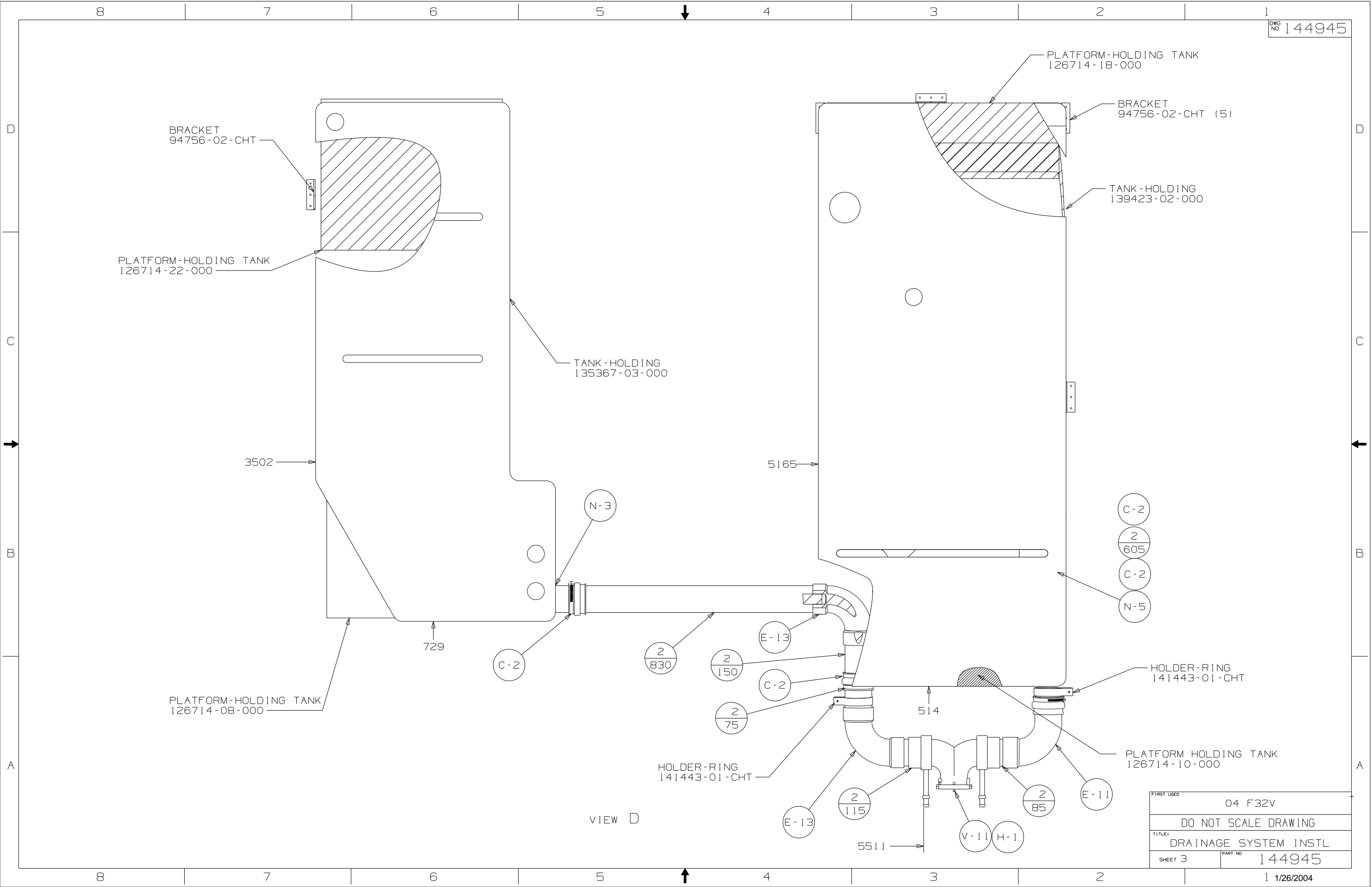
TOILET
 140798-01-CHT
 SCREW
 87721-01-000 (8)

VIEW A

VIEW B (SHOWER PAN REMOVED)

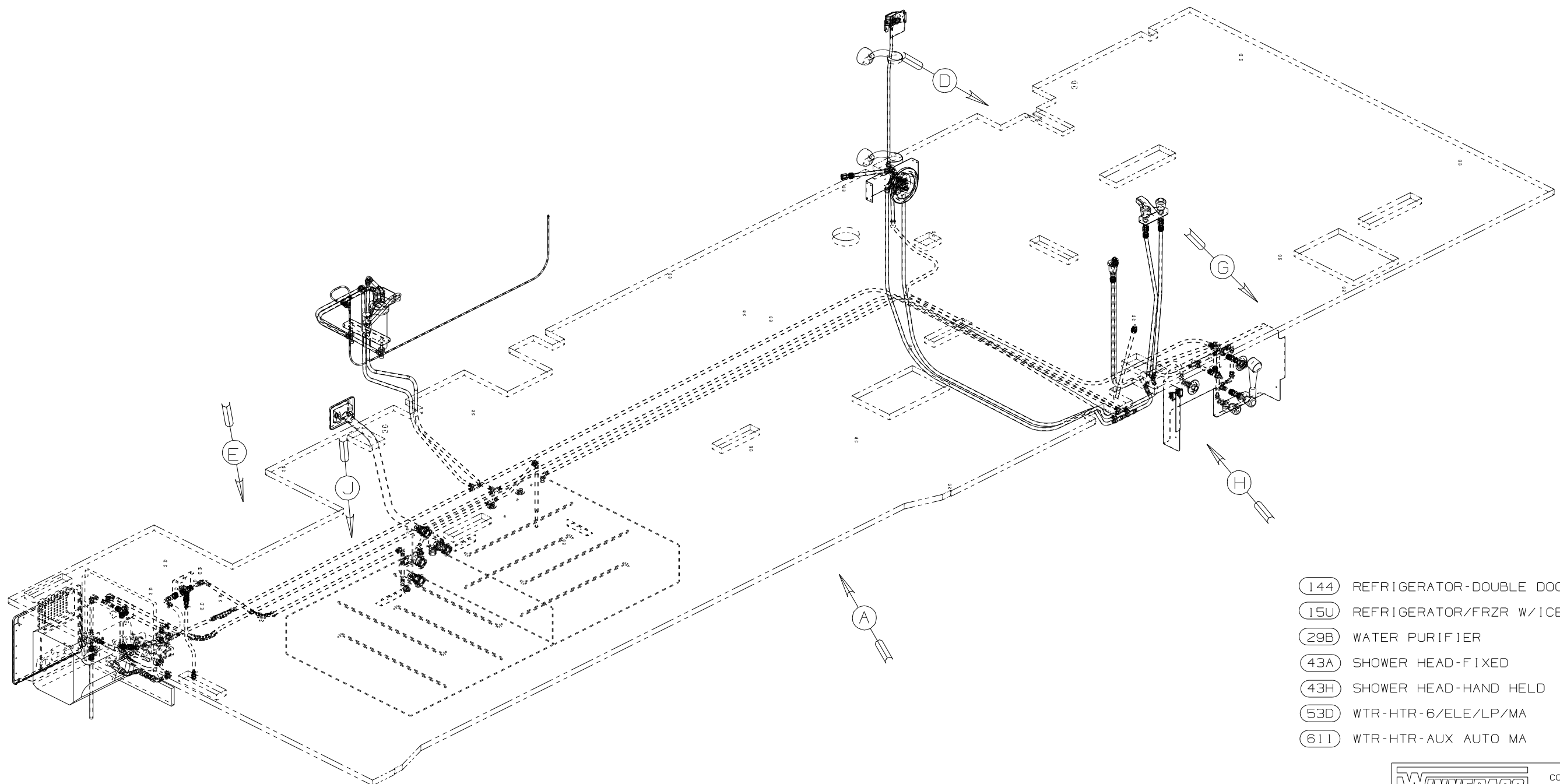
VIEW C

FIRST USED	04 F32V
TITLE	DO NOT SCALE DRAWING
	DRAINAGE SYSTEM INSTL
SHEET 2	PART NO 144945



VIEW D

FIRST USED	04 F32V
DO NOT SCALE DRAWING	
TITLE	DRAINAGE SYSTEM INSTL
SHEET 3	PART NO 144945



- (144) REFRIGERATOR-DOUBLE DOOR
- (15U) REFRIGERATOR/FRZR W/ICE MAKER
- (29B) WATER PURIFIER
- (43A) SHOWER HEAD-FIXED
- (43H) SHOWER HEAD-HAND HELD
- (53D) WTR-HTR-6/ELE/LP/MA
- (611) WTR-HTR-AUX AUTO MA

- 7 ADD TEFLON TAPE 10405-03-000.
- 6 ADD TEFLON TAPE 10405-01-000.
- 5 ADD TEFLON TAPE 10405-02-000.
- 4 FLUSHING SYSTEM REQUIRES 125697-06-000 INSTRUCTION SHEET.

- 3. ALL TUBING TO BE SECURED AT 1200 INTERVALS MAXIMUM WITH CLAMP 10495-01-000 OR CLIP 9151-01-000 AND SCREW G67-10-12B.
- 2. TUBING TO BE INSTALLED WITH SUFFICIENT SLOPE TO PROVIDE DRAINAGE TO NEAREST VALVE.
- 1. PLASTIC FITTINGS TO BE SEALED WITH SEALANT 84456-01-000.

NOTES:

WINNEBAGO		COPYRIGHT 2004 WINNEBAGO INDUSTRIES, INC.	
DFTR	ORIG. DATE	ALL DIMENSIONS ARE IN MILLIMETERS	
CHKR		FIRST USED	
P.E.		04 F32V, FORD	
M.E.		UNSPECIFIED TOLERANCES ARE:	
DSNR		MATERIAL:	
		WHOLE DIM (X) :	7
		ONE-PLACE (X.X) :	
		TWO-PLACE (X.XX) :	
		ANGLE :	
THIRD ANGLE PROJECTION		DO NOT SCALE DRAWING	
TITLE: WATER SYSTEM INSTL			
SHEET 1 OF 4		PART NO 144944	
REF: 141638 1 2/26/2004			

(X-X)
FOR
WATER
CALLOUTS
SEE DWG NO
116230-01-000

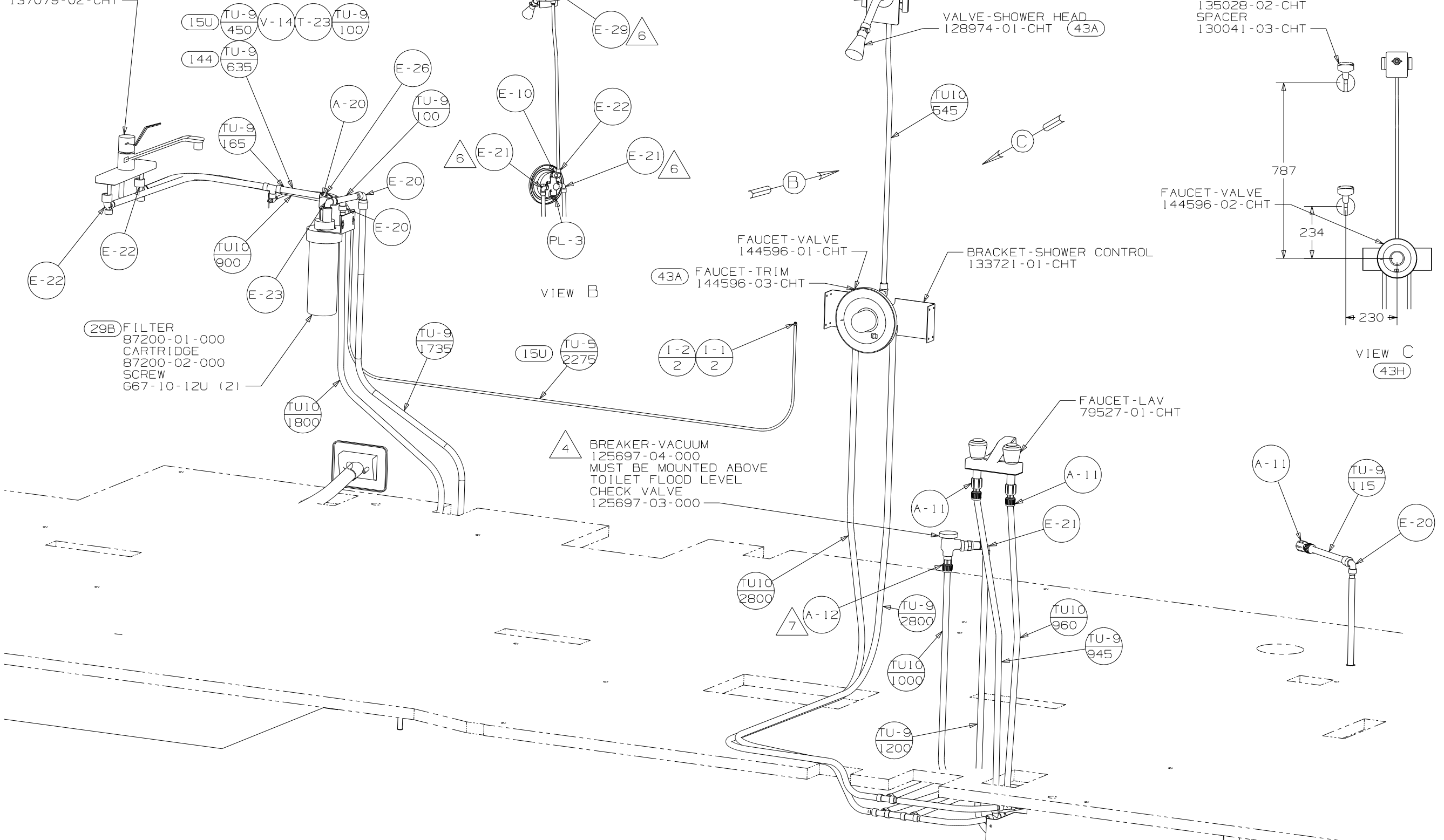
FAUCET-GALLEY, SGL CONTROL
141432-01-CHT
SPACER-FAUCET
137079-02-CHT

BRACKET ASM-SHOWER HEAD
133727-01-CHT

PLATE-COVER, SHOWER HEAD
131549-01-CHT

VALVE-SHOWER HEAD
128974-01-CHT (43A)

(N-1) HAND HELD SHOWER
129390-03-CHT
ELBOW
135028-02-CHT
SPACER
130041-03-CHT

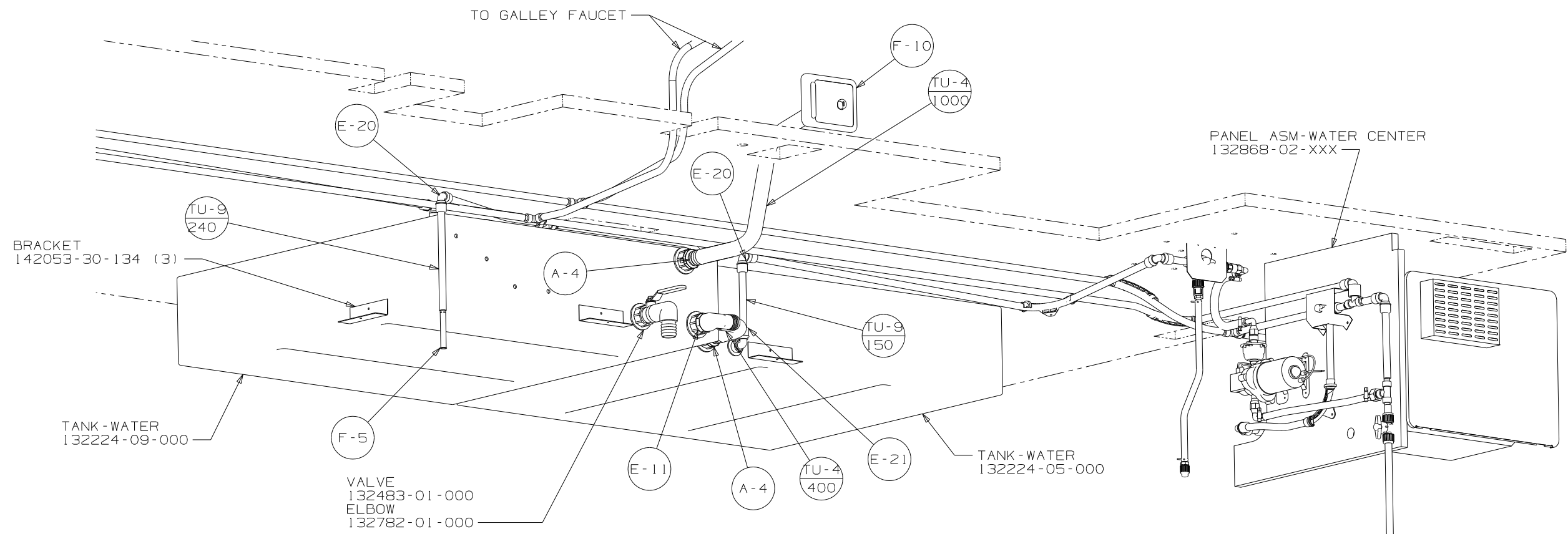


VIEW B

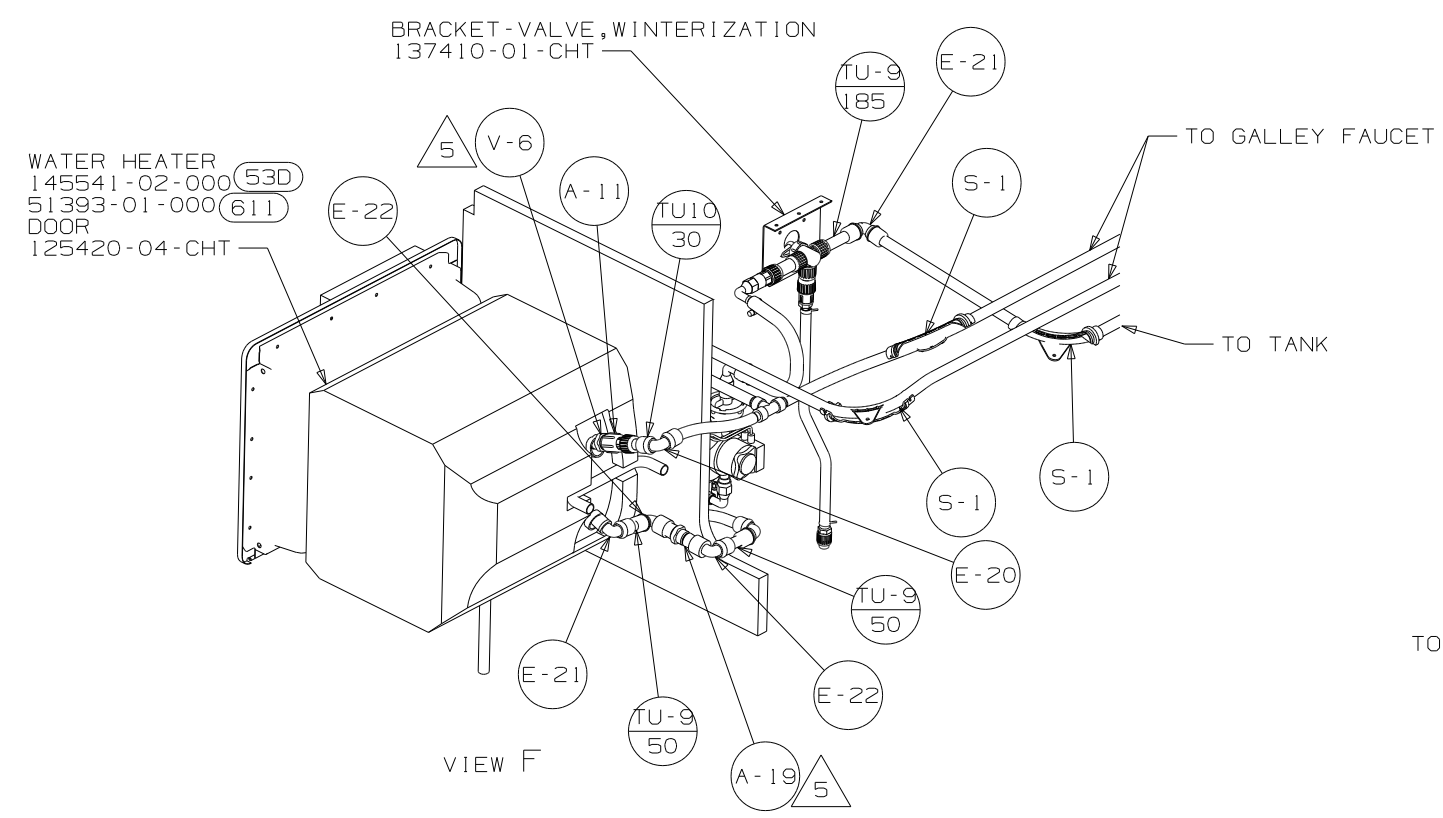
VIEW C (43H)

VIEW A

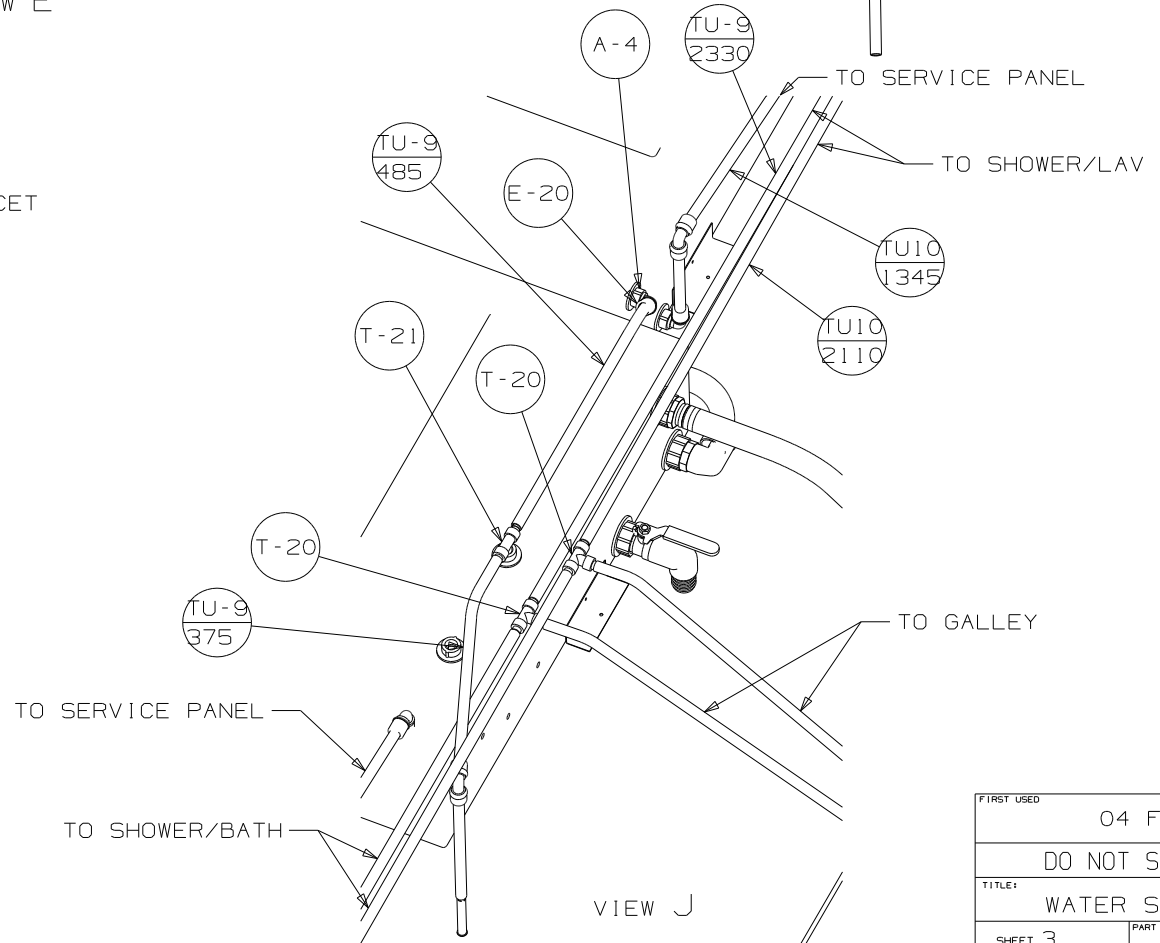
FIRST USED	04 F32V, FORD
TITLE	DO NOT SCALE DRAWING
TITLE	WATER SYSTEM INSTL
SHEET 2	PART NO 144944



VIEW E

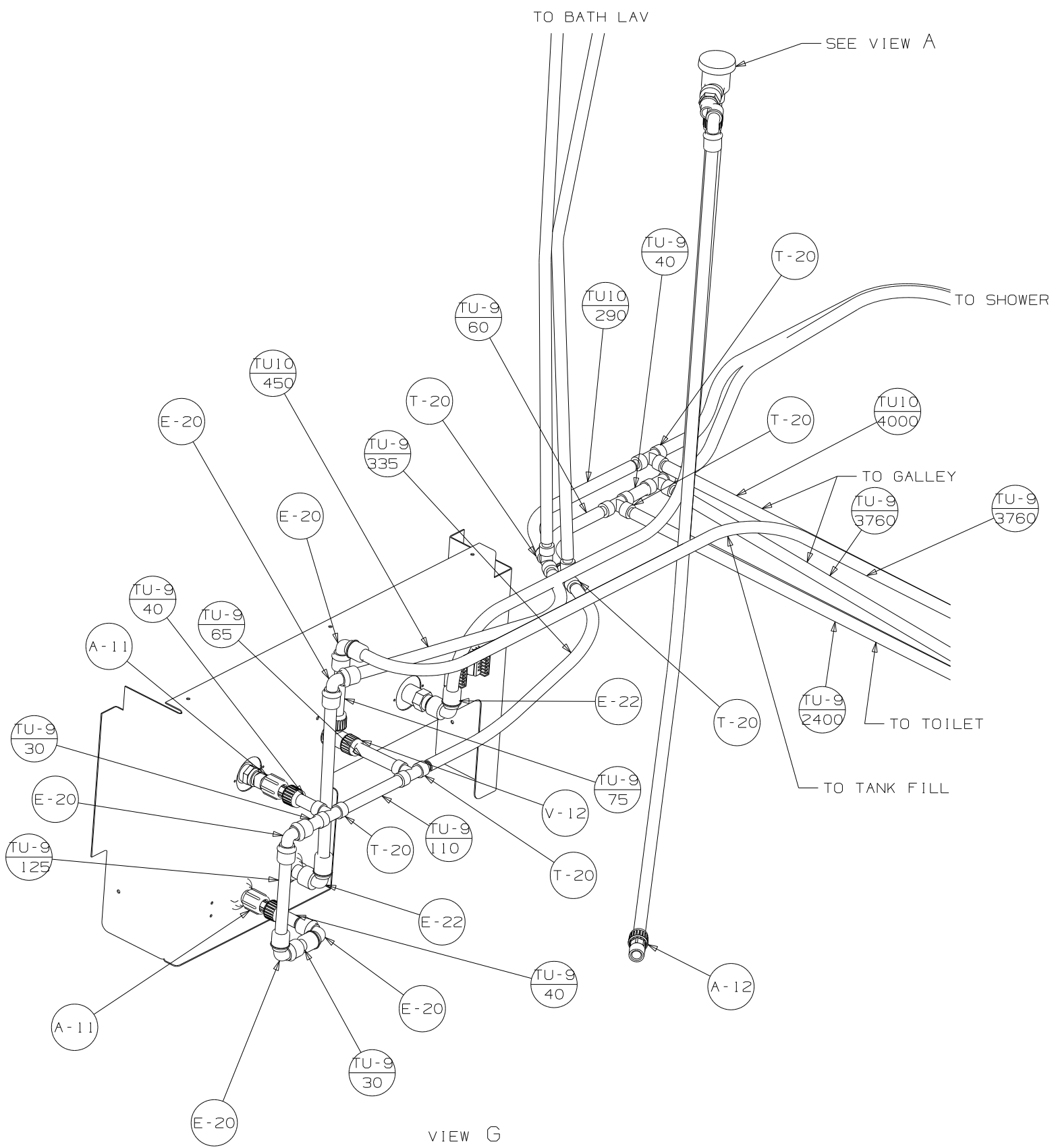


VIEW F



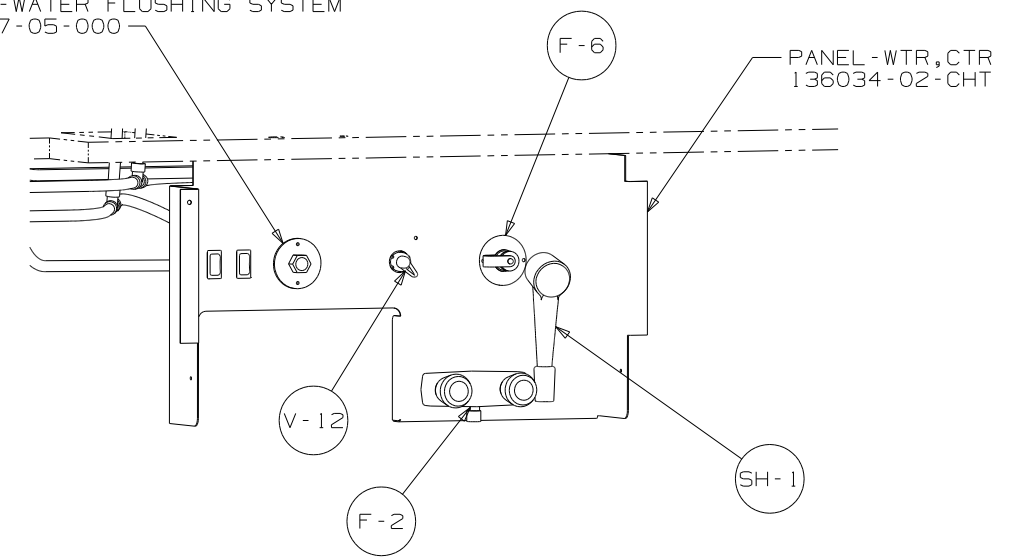
VIEW J

FIRST USED	04 F32V, FORD
TITLE	DO NOT SCALE DRAWING
SHEET 3	PART NO 144944



VIEW G

INLET-WATER FLUSHING SYSTEM
125697-05-000



VIEW H

FIRST USED	04 F32V, FORD
TITLE	DO NOT SCALE DRAWING
SHEET 4	PART NO 144944