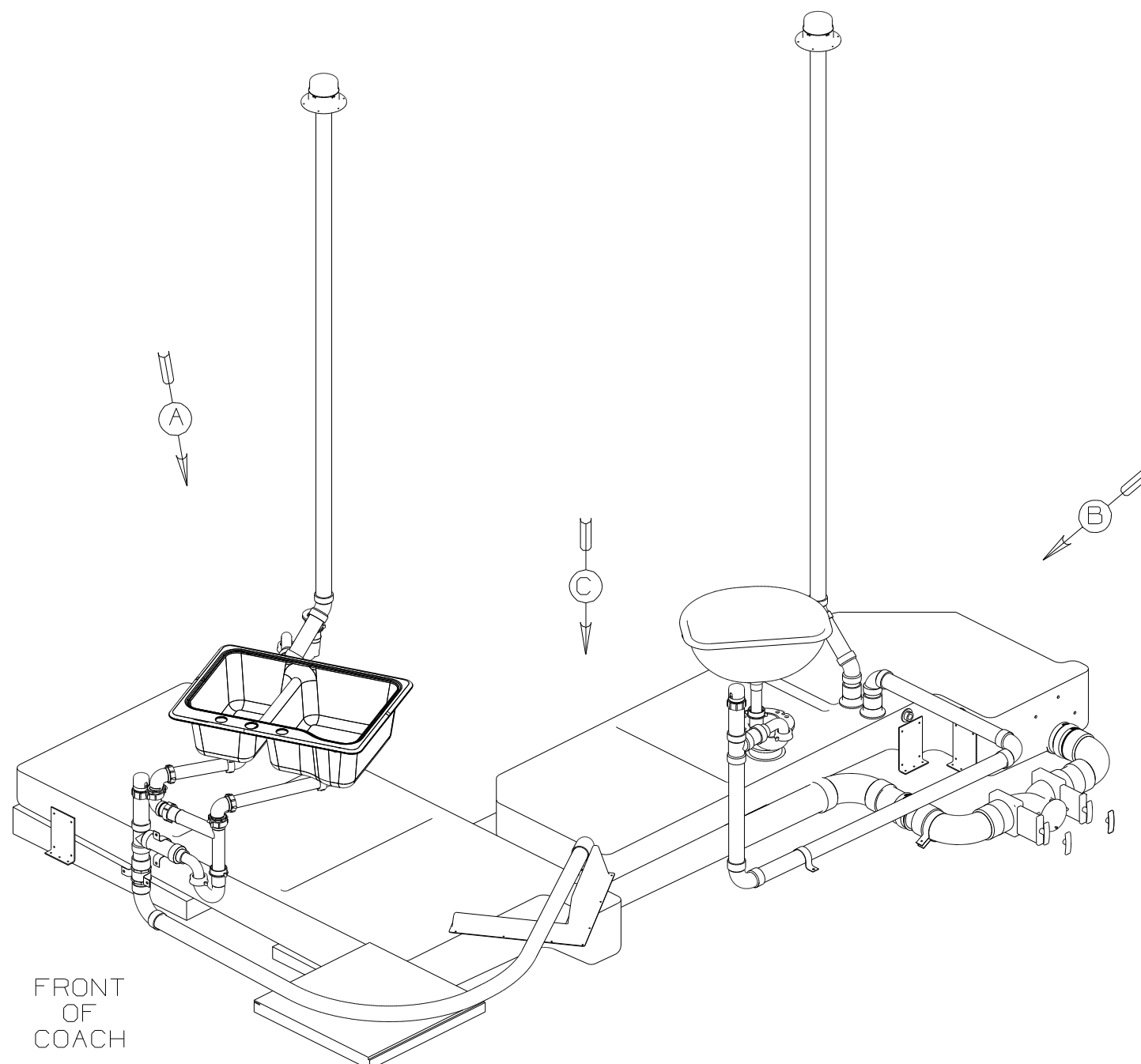


DWG NO	--
147406-01	(WIN)
147406-02	(ITA)

RELEASE	REV DATE	DWG NO	147406
REV ZONE	REVISION RECORD	DATE	DFTR-ORIG



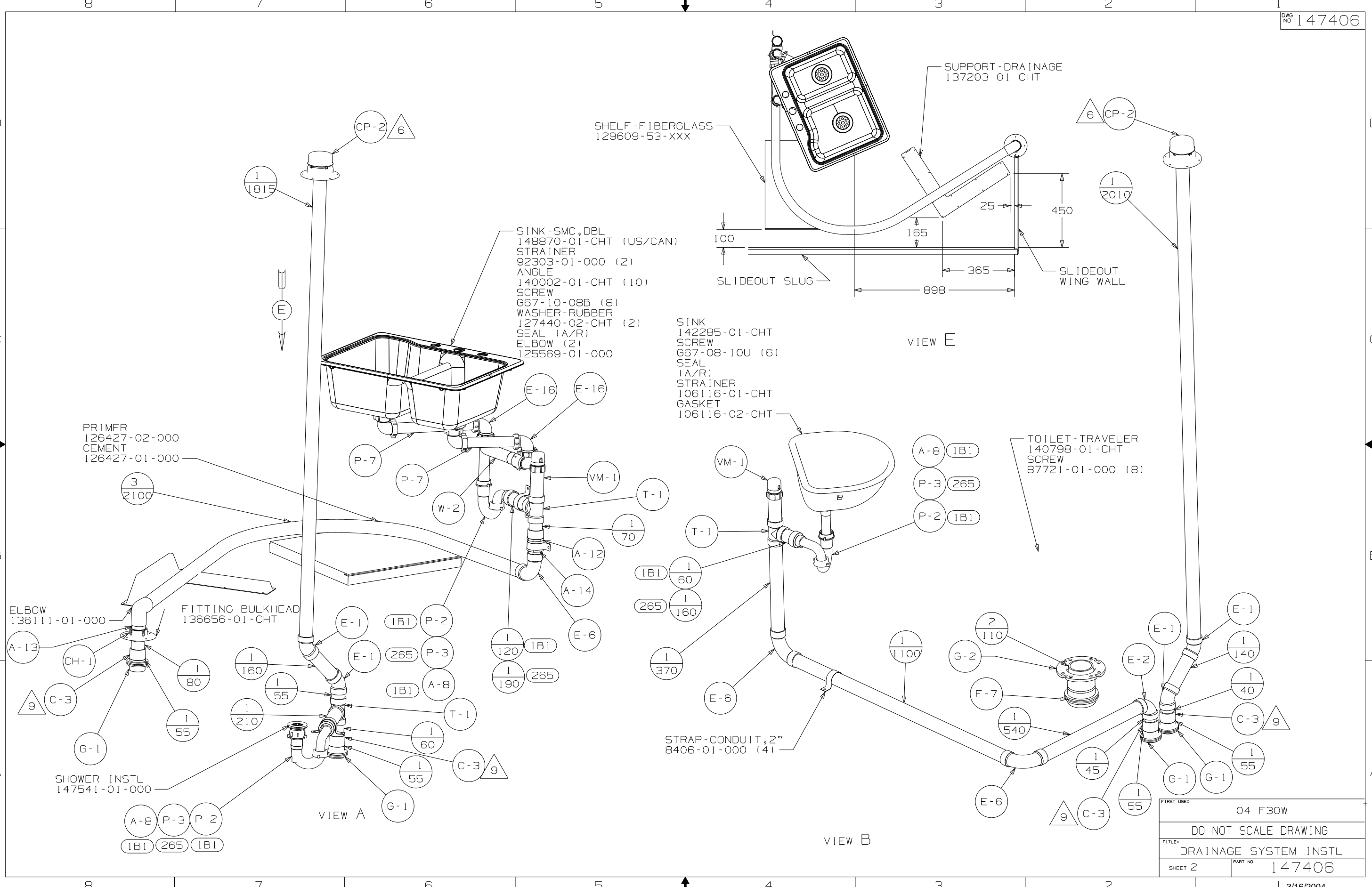
FRONT OF COACH

- (WIN) WINNEBAGO ONLY
- (ITA) ITASCA ONLY
- (IBI) CODES/STANDARDS USA
- (265) CODES/STDS-CSA/CMVSS

- NOTES:
9. SECURE PIPES TO FLOOR USING BRACKET 136878-01-CHT (3) CLAMP 62401-02-000 (3) AND SCREW G67-10-12B (3).
  8. SECURE PIPES TO CABINET USING WIRE TIE 108046-02-000 AND SCREW G67-10-12U (8).
  7. SEE DWG 61607-01-000 FOR INSTL OF GROMMET.
  6. VENT PIPE MUST PROJECT 51 MIN AND 64 MAX ABOVE ROOF FOR PROPER FIT AND FUNCTION.
  5. SEAL AROUND SHOWER WITH SILICONE.
  4. ALL EXTERIOR OPENINGS AROUND PIPE TO BE SEALED WITH 110744-01-000.
  3. ALL PIPE AND FITTINGS TO BE ASSEMBLED WITH SOLVENT 4020-01-000.
  2. SLOPE OF TRAP ARM MUST BE 6 PER 305 mm.
  1. SLOPE OF HORIZONTAL PIPING TO BE MIN 3 PER 305 mm.

(X-X)  
FOR DRAINAGE CALLOUTS SEE DWG NO 116229-01-000

<b>WINNEBAGO</b>		COPYRIGHT 2004 WINNEBAGO INDUSTRIES, INC.	
DFTR	ORIG. DATE	ALL DIMENSIONS ARE IN MILLIMETERS	
CHKR		FIRST USED	
P.E.		04 F30W	
M.E.		UNSPECIFIED TOLERANCES ARE:	
DSNR		MATERIAL:	
		WHOLE DIM (X)	: 5
		ONE-PLACE (X.X)	:
		TWO-PLACE (X.XX)	:
		ANGLE	:
		THIRD ANGLE PROJECTION	
DO NOT SCALE DRAWING			
TITLE: DRAINAGE SYSTEM INSTL			
SHEET 1 OF 3	PART NO	147406	



SHELF - FIBERGLASS  
129609-53-XXX

SUPPORT - DRAINAGE  
137203-01-CHT

SINK - SMC, DBL  
148870-01-CHT (US/CAN)  
STRAINER  
92303-01-000 (2)  
ANGLE  
140002-01-CHT (10)  
SCREW  
G67-10-08B (8)  
WASHER - RUBBER  
127440-02-CHT (2)  
SEAL (A/R)  
ELBOW (2)  
125569-01-000

SINK  
142285-01-CHT  
SCREW  
G67-08-10U (6)  
SEAL  
(A/R)  
STRAINER  
106116-01-CHT  
GASKET  
106116-02-CHT

TOILET - TRAVELER  
140798-01-CHT  
SCREW  
87721-01-000 (8)

PRIMER  
126427-02-000  
CEMENT  
126427-01-000

ELBOW  
136111-01-000

FITTING - BULKHEAD  
136656-01-CHT

STRAP - CONDUIT, 2"  
8406-01-000 (4)

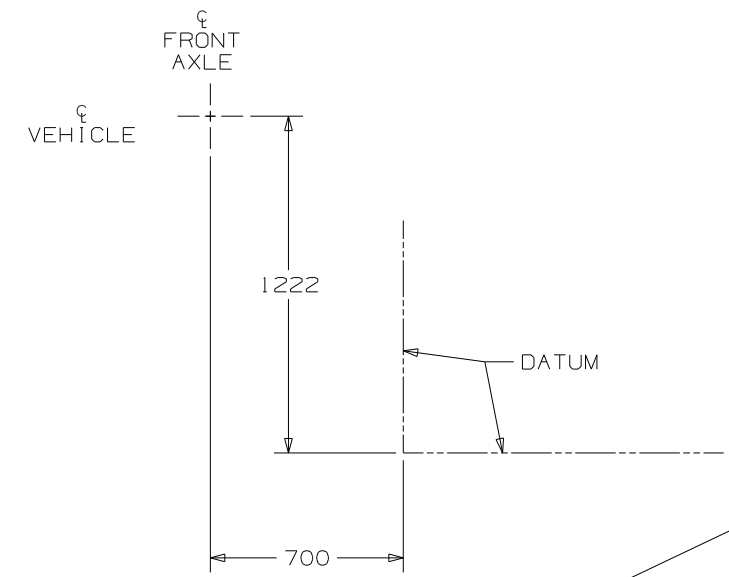
SHOWER INSTL  
147541-01-000

VIEW A

VIEW E

VIEW B

FIRST USED	04 F30W
DO NOT SCALE DRAWING	
TITLE:	DRAINAGE SYSTEM INSTL
SHEET 2	PART NO 147406



PLATFORM-HOLDING TANK  
126714-02-000

FOAM-SUPPORT, HOLDING TANK  
130223-14-000

PLATFORM-HOLDING TANK  
126714-08-000

BRACKET-ANGLE, W/HOLES  
94756-02-CHT (7)

PLATFORM-HOLDING TANK  
126714-10-000

692

2814

3721

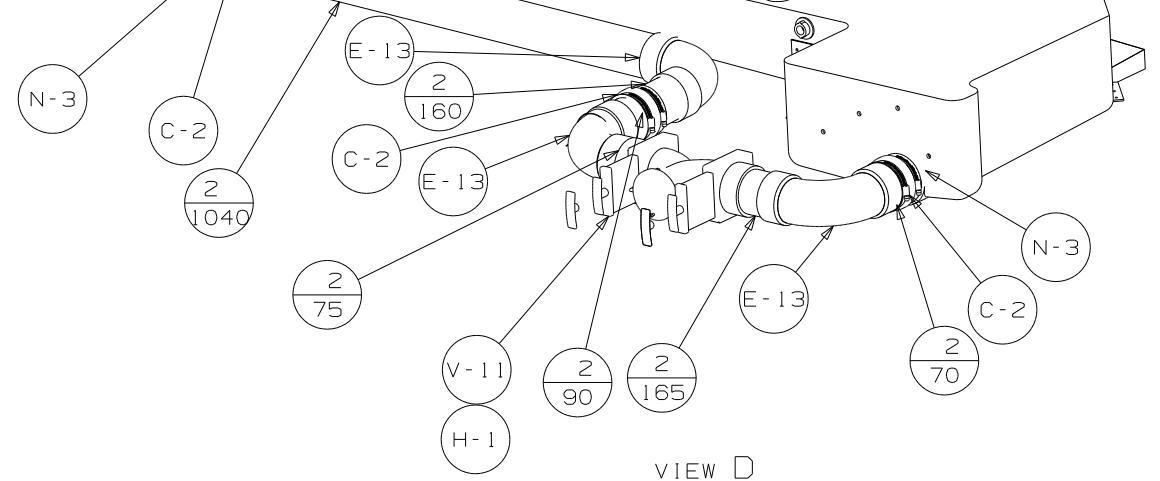
722

VIEW C

HOLDER-RING  
141443-01-CHT

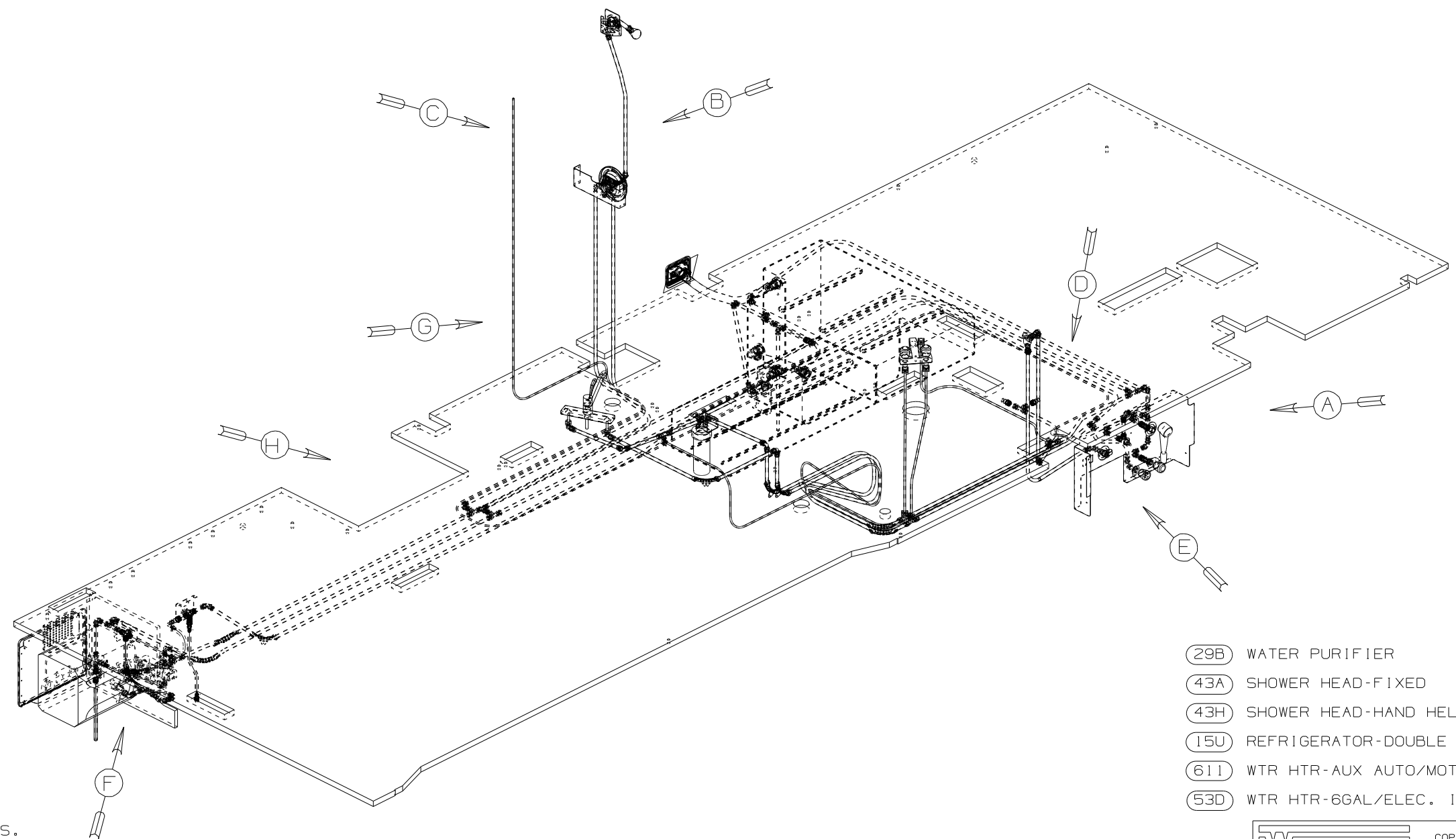
TANK-HOLDING  
132448-09-000

TANK-HOLDING  
123055-11-000



VIEW D

FIRST USED	04 F30W
TITLE	DO NOT SCALE DRAWING
SHEET 3	PART NO 147406
	1 3/16/2004



- (29B) WATER PURIFIER
- (43A) SHOWER HEAD-FIXED
- (43H) SHOWER HEAD-HAND HELD
- (15U) REFRIGERATOR-DOUBLE DOOR
- (611) WTR HTR-AUX AUTO/MOTORAID
- (53D) WTR HTR-6GAL/ELEC. IGNITION

- △ 8 LABEL HOT AND COLD SUPPLY TUBES.
  - △ 7 TAPE FITTING TO TUBE BEFORE CABINET SET TO PREVENT FITTING FROM MOVING.
  - △ 6 ADD TEFLON TAPE 10405-01-000.
  - △ 5 ADD TEFLON TAPE 10405-02-000.
  - △ 4 FLUSHING SYSTEM REQUIRES 125697-06-000 INSTRUCTION SHEET.
3. ALL TUBING TO BE SECURED AT 1200 INTERVALS MAXIMUM WITH CLAMP 10495-01-000 OR CLIP 9151-01-000 AND SCREW G67-10-12B.
  2. TUBING TO BE INSTALLED WITH SUFFICIENT SLOPE TO PROVIDE DRAINAGE TO NEAREST VALVE.
  1. PLASTIC FITTINGS TO BE SEALED WITH SEALANT 84456-01-000.

NOTES:

(X-X)  
FOR  
WATER  
CALLOUTS  
SEE DWG NO  
116230-01-000

<b>WINNEBAGO</b>		COPYRIGHT 2004 WINNEBAGO INDUSTRIES, INC.	
DFTR	ORIG. DATE	ALL DIMENSIONS ARE IN MILLIMETERS	
CHKR		FIRST USED	
P.E.		04 F30W	
M.E.		UNSPECIFIED TOLERANCES ARE:	
DSNR		MATERIAL:	
		WHOLE DIM (X) :	7
		ONE-PLACE (X.X) :	
		TWO-PLACE (X.XX) :	
		ANGLE :	
THIRD ANGLE PROJECTION		DO NOT SCALE DRAWING	
TITLE: WATER SYSTEM INSTL			
SHEET 1 OF 4		PART NO 147407	

DROP ELL-SHOWER  
135028-02-CHT  
BRACKET  
131551-01-CHT  
SPACER  
130041-03-CHT

BRACKET ASM-SHOWER HEAD  
133727-01-CHT

PLATE COVER  
131549-02-CHT

VALVE-SHOWER HEAD  
128974-01-CHT (43A)

FAUCET-VALVE  
144596-01-CHT

BRACKET-SHOWER CONTROL  
133721-01-CHT

FAUCET-TRIM (43A)  
144596-03-CHT

FAUCET  
141432-01-CHT  
SPACER  
137079-02-CHT

FILTER (29B)  
87200-01-000  
CARTRIDGE  
87200-02-000  
SCREW  
667-10-12U (2)

FAUCET  
79527-01-CHT

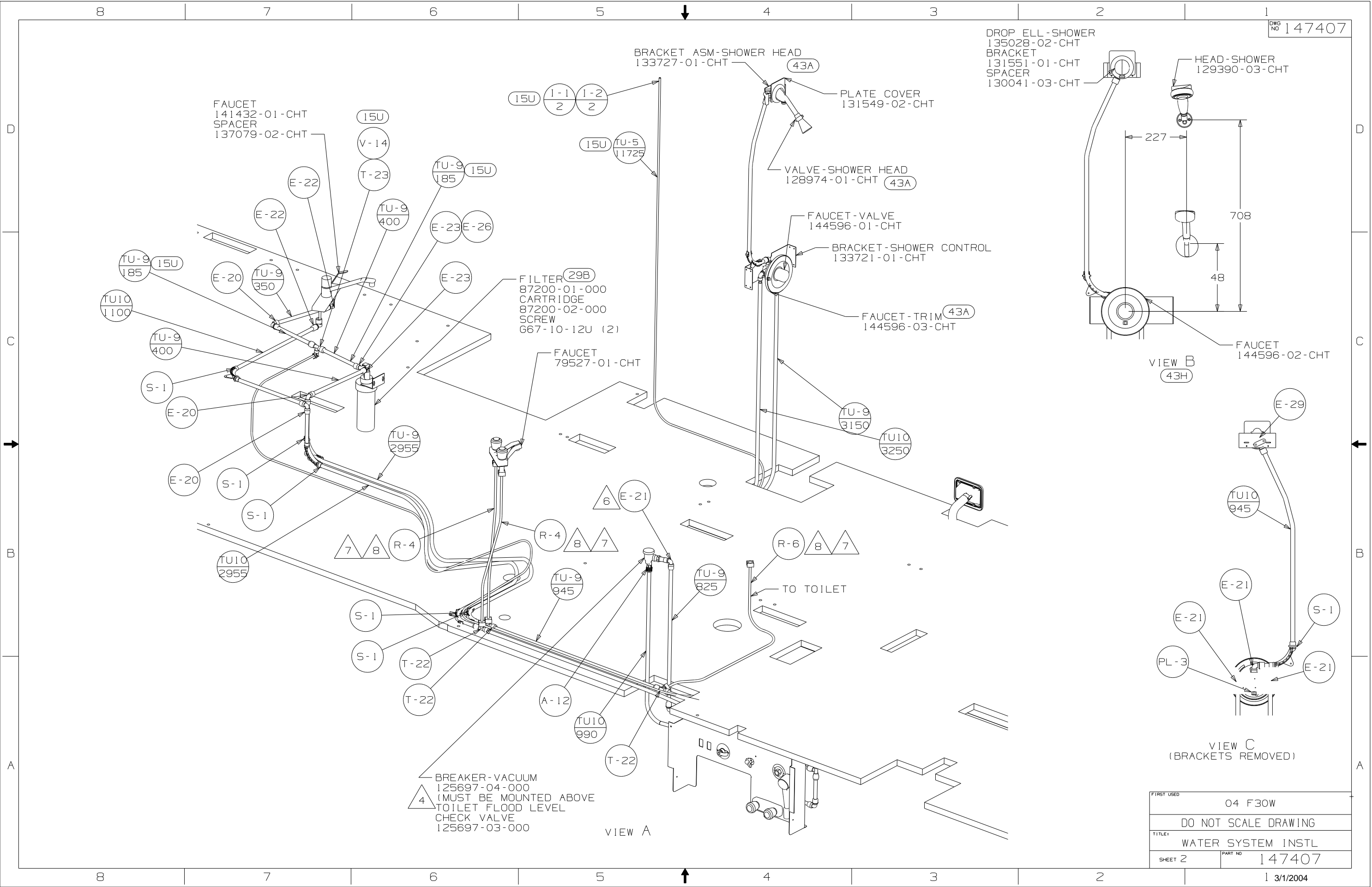
VIEW B (43H)  
FAUCET  
144596-02-CHT

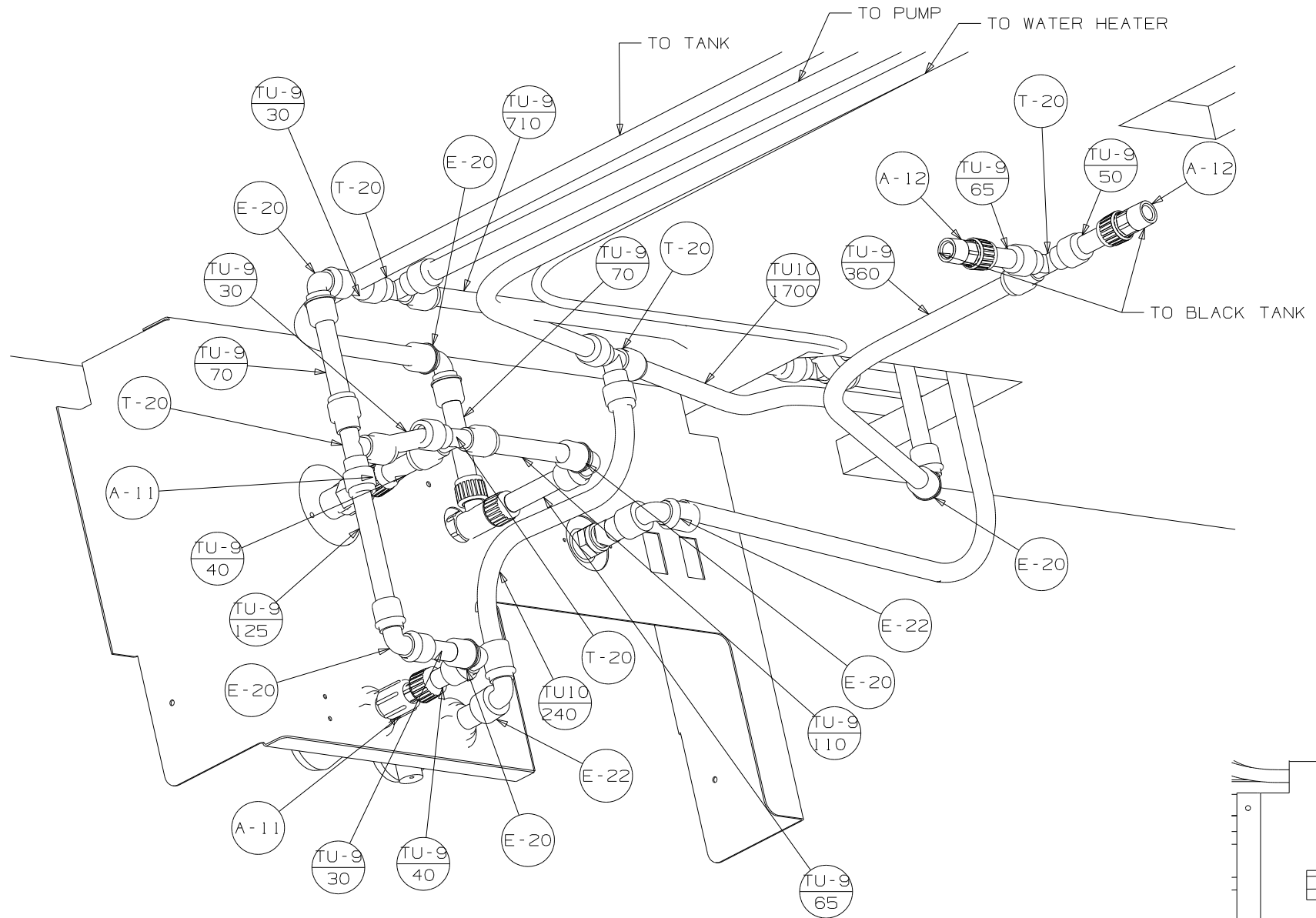
VIEW C (BRACKETS REMOVED)

BREAKER-VACUUM  
125697-04-000  
(MUST BE MOUNTED ABOVE  
TOILET FLOOD LEVEL)  
CHECK VALVE  
125697-03-000

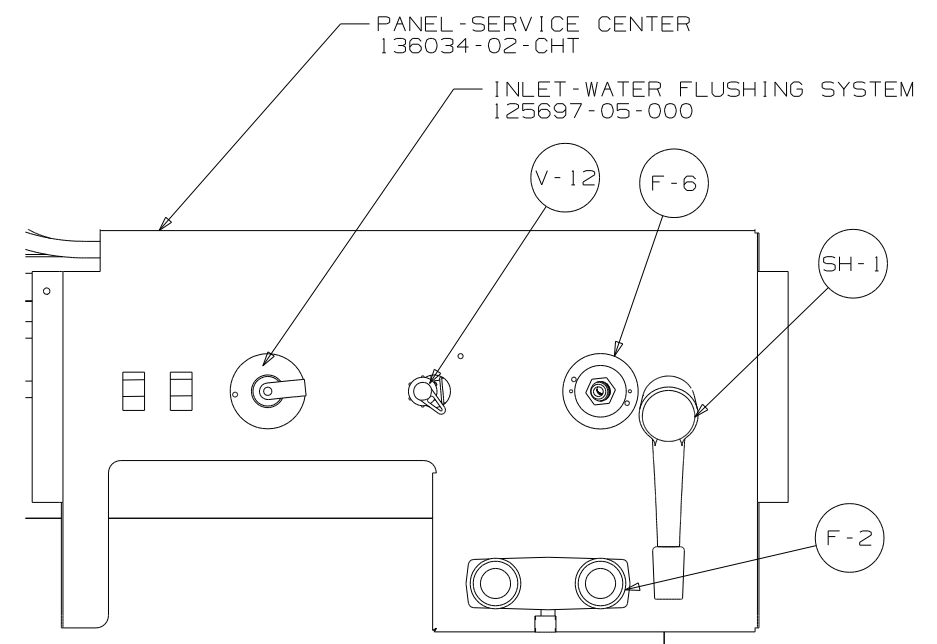
VIEW A

FIRST USED	04 F30W
TITLE	DO NOT SCALE DRAWING
TITLE	WATER SYSTEM INSTL
SHEET 2	PART NO 147407





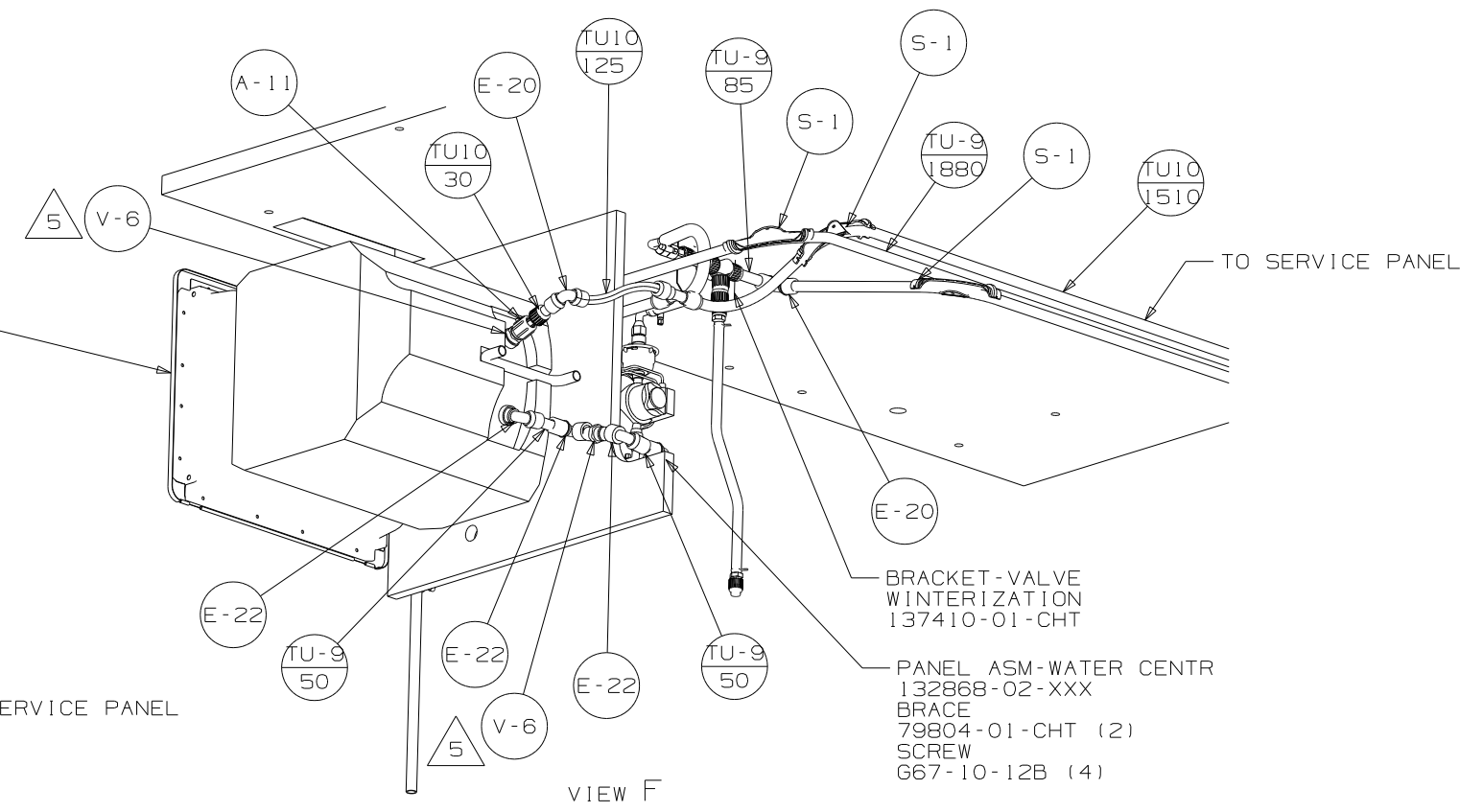
VIEW D



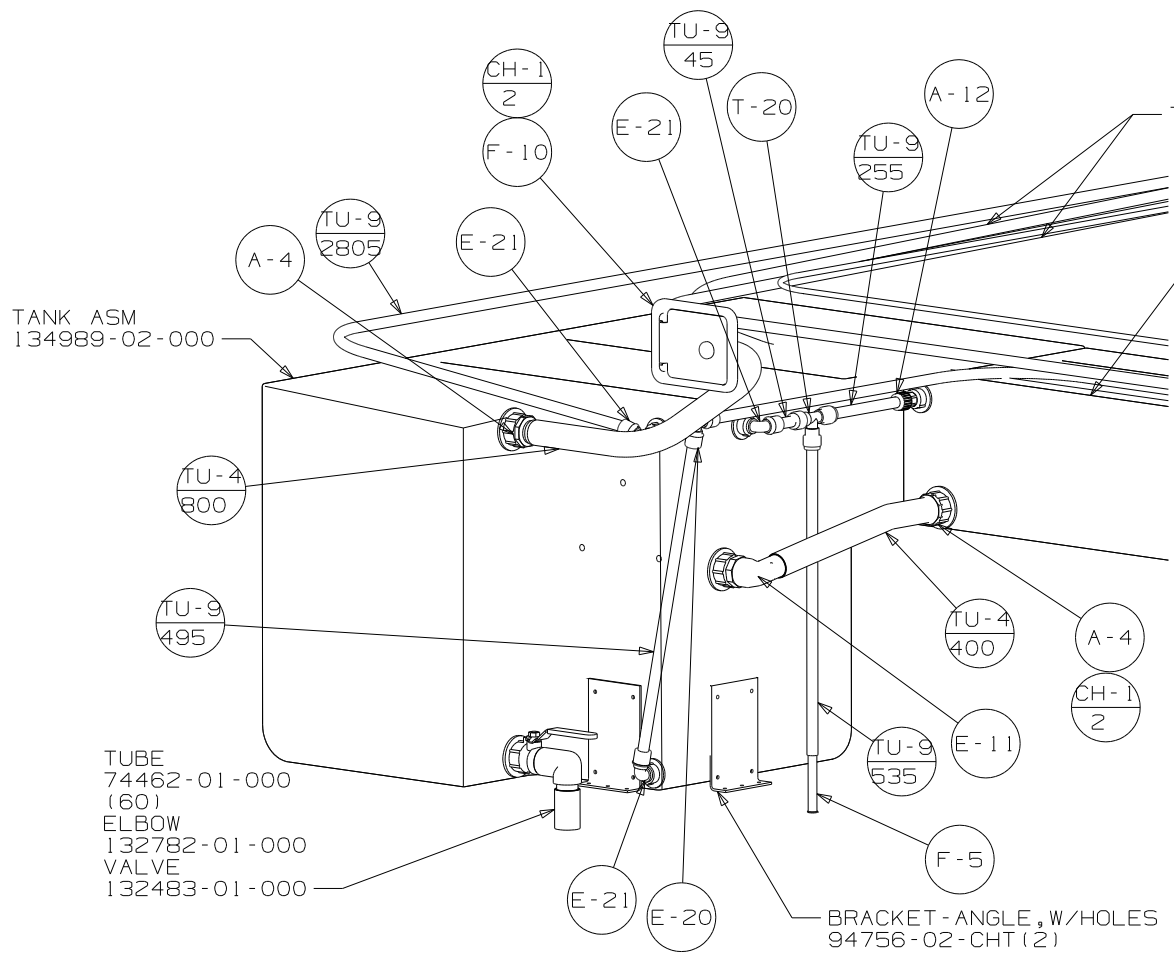
VIEW E

FIRST USED	04 F30W
TITLE	DO NOT SCALE DRAWING
	WATER SYSTEM INSTL
SHEET 3	PART NO 147407

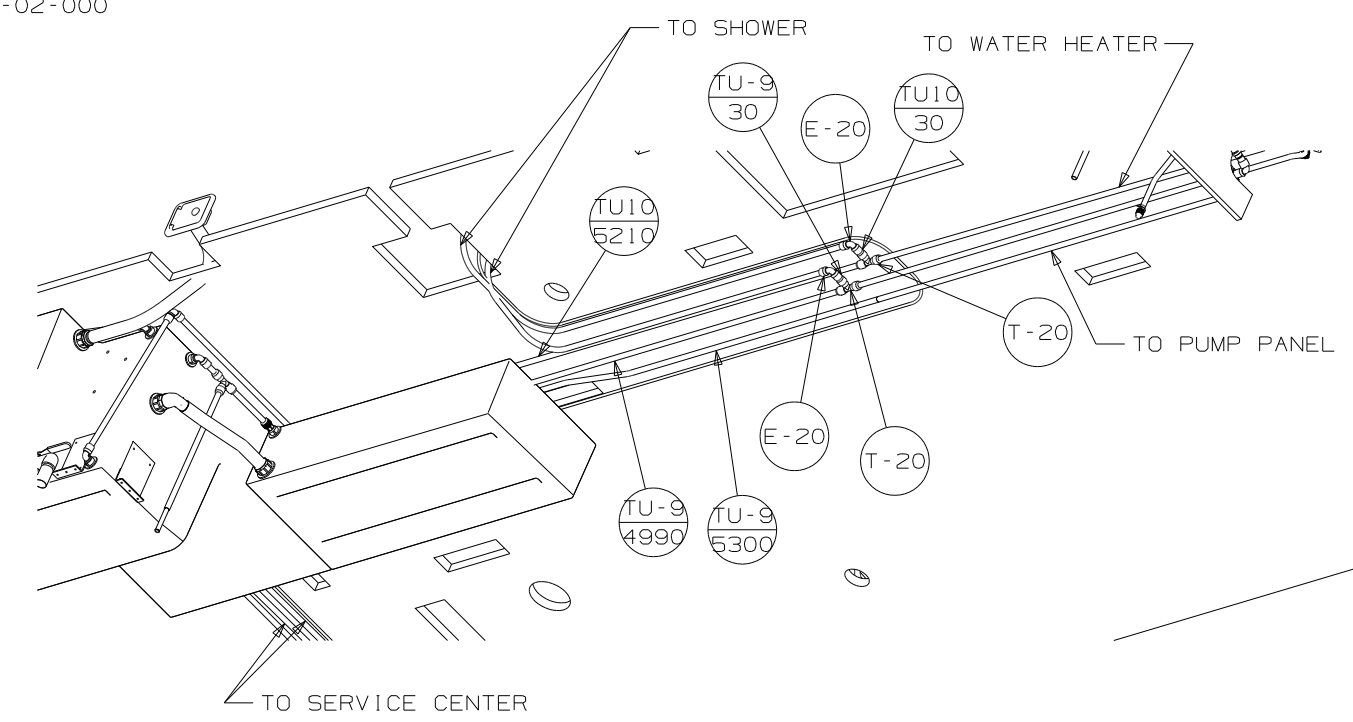
- (611) WATER HEATER  
51393-01-000
- (53D) 145541-02-000
- DOOR  
125420-04-CHT
- BUMPER INSTL  
146507-01-000



VIEW F



VIEW G  
(FLOOR REMOVED)



VIEW H

FIRST USED	
DO NOT SCALE DRAWING	
TITLE: WATER SYSTEM INSTL	
SHEET 4	PART NO 147407