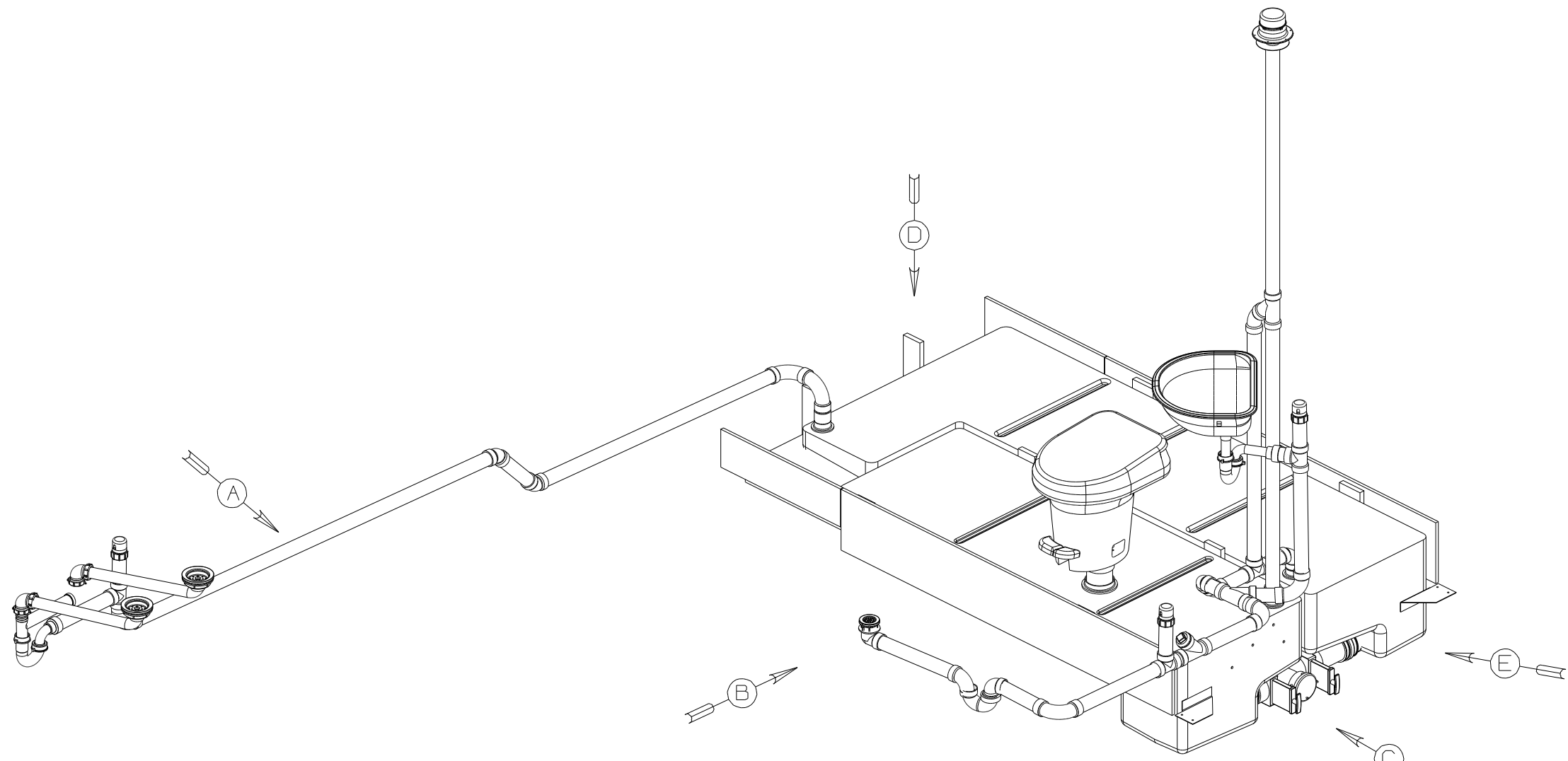


8 7 6 5 4 3 2

RELEASE	REV DATE	DWG NO
A		146795
REV ZONE	REVISION RECORD	DATE



FRONT OF COACH

(265) CODES/STDS-CSA/CMVSS  
 (1B1) CODES/STANDARDS-USA

- NOTES:
- 1 VENT PIPE MUST PROJECT 51 MIN AND 64 MAX ABOVE ROOF FOR PROPER FIT.
  - 2 SLOPE OF HORIZONTAL PIPING TO BE 6 PER 305 mm.
  - 3 SLOPE OF TRAP ARM MUST BE 6 PER 305 mm.
  - 4 ALL PIPE AND FITTING TO BE ASSEMBLED WITH SOLVENT 4020-01-000 (US) 4020-02-000 (CAN)
  - 5 ALL EXTERIOR OPENINGS AROUND PIPE TO BE SEALED WITH 110744-01-000.
  - 6 SEAL AROUND SHOWER WITH SILICONE.
  - 7 VALVE TERMINATION TEE TO BE POSITIONED AT 10° DOWN AND OUTBOARD.
  - 8 TRIM P-TRAP EXTENSION TO FIT.

<b>WINNEBAGO</b>		COPYRIGHT 2003 WINNEBAGO INDUSTRIES, INC.	
DFT	ORIG. DATE	ALL DIMENSIONS ARE IN MILLIMETERS	
CHKR			
P.E.			
M.E.	FIRST USED		
DSNR		04 D33L	
UNSPECIFIED TOLERANCES ARE:		MATERIAL:	
WHOLE DIM (X)	: 31		
ONE-PLACE (X.X)	: 1.5		
TWO-PLACE (X.XX)	: 0.50		
ANGLE	: 1°		
THIRD ANGLE PROJECTION			
DO NOT SCALE DRAWING			
TITLE: DRAINAGE SYSTEM INSTL			
SHEET 1 OF 3	PART NO	146795	

(X-X)  
 FOR  
 DRAINAGE  
 CALLOUTS  
 SEE DWG NO  
 116229-01-000

8 7 6 5 4 3 2

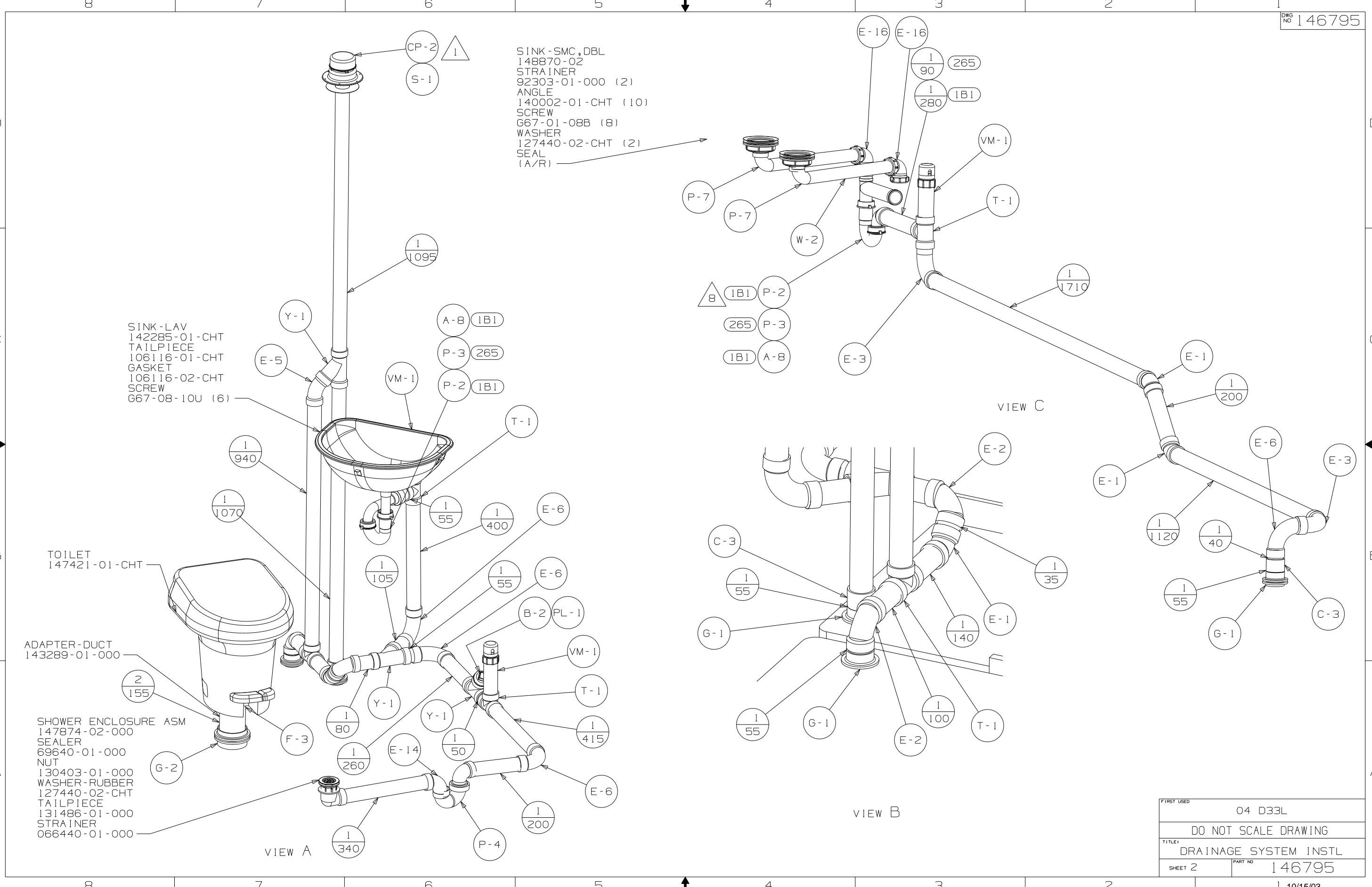
SINK - SMC, DBL  
 148870-02  
 STRAINER  
 92303-01-000 (2)  
 ANGLE  
 140002-01-CHT (10)  
 SCREW  
 G67-01-08B (8)  
 WASHER  
 127440-02-CHT (2)  
 SEAL  
 (A/R)

SINK-LAV  
 142285-01-CHT  
 TAILPIECE  
 106116-01-CHT  
 GASKET  
 106116-02-CHT  
 SCREW  
 G67-08-10U (6)

TOILET  
 147421-01-CHT

ADAPTER-DUCT  
 143289-01-000

SHOWER ENCLOSURE ASM  
 147874-02-000  
 SEALER  
 69640-01-000  
 NUT  
 130403-01-000  
 WASHER-RUBBER  
 127440-02-CHT  
 TAILPIECE  
 131486-01-000  
 STRAINER  
 066440-01-000



VIEW A

VIEW B

VIEW C

FIRST USED	04 D33L
DO NOT SCALE DRAWING	
TITLE	DRAINAGE SYSTEM INSTL
SHEET 2	PART NO 146795

FOAM-SUPPORT, HOLDING TANK  
130223-09-000  
(1219 X 548 X 56 X 27)

INSULATION-DRAINAGE COMPT  
120050-47-000 (2)  
(200 X 80 X 1.5")

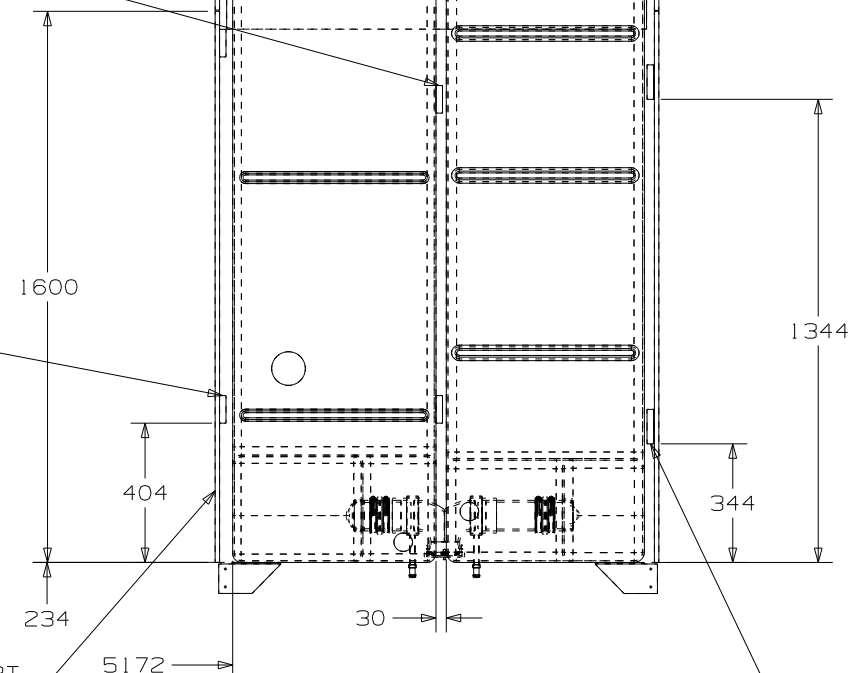
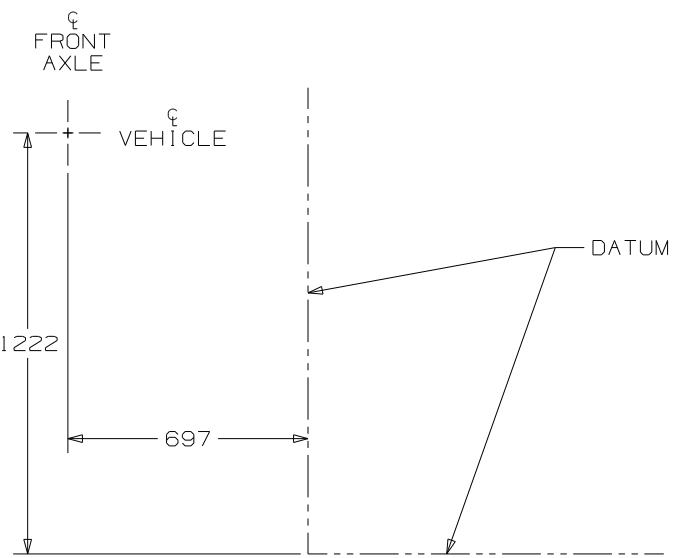
INSULATION-DRAINAGE COMPT  
120050-45-000 (2)  
(578 X 150 X .5")

INSULATION-DRAINAGE COMPT  
120050-47-000 (2)  
(200 X 80 X 1.5")

INSULATION-DRAINAGE COMPT  
120050-47-000 (2)  
(200 X 80 X 1.5")

INSULATION-DRAINAGE COMPT  
120050-49-000 (2)  
(1600 X 240 X .5")

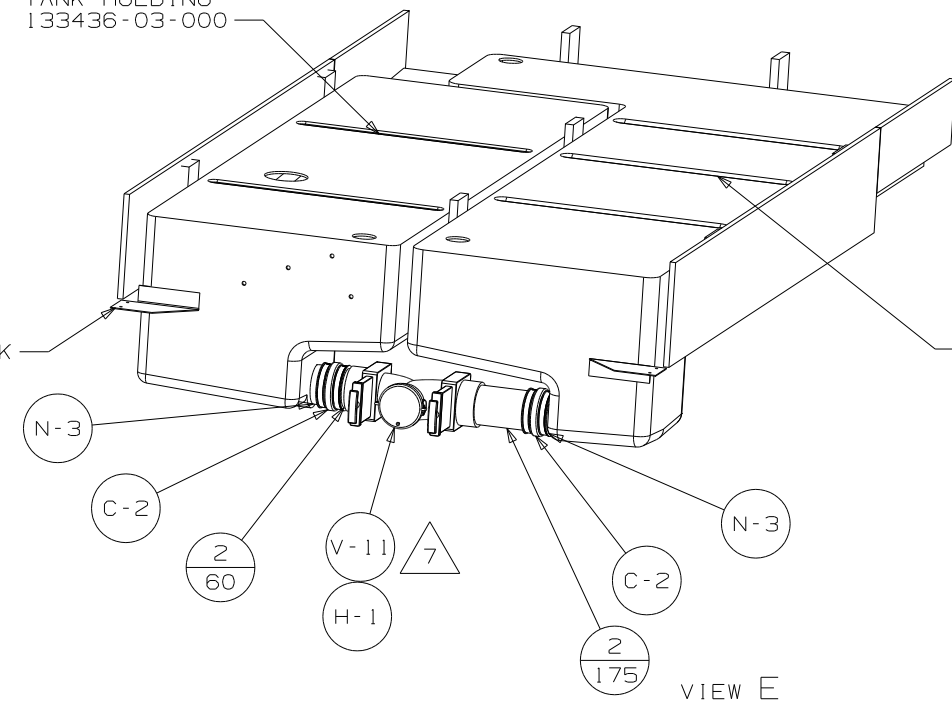
INSULATION-DRAINAGE COMPT  
120050-42-000 (2)  
(200 X 100 X .75")



TANK-HOLDING  
133436-03-000

TANK-HOLDING  
133437-03000

BRACKET-TIEDOWN, WATER TANK  
139004-01-CHT (2)  
SCREW  
G39-08-16B (4)

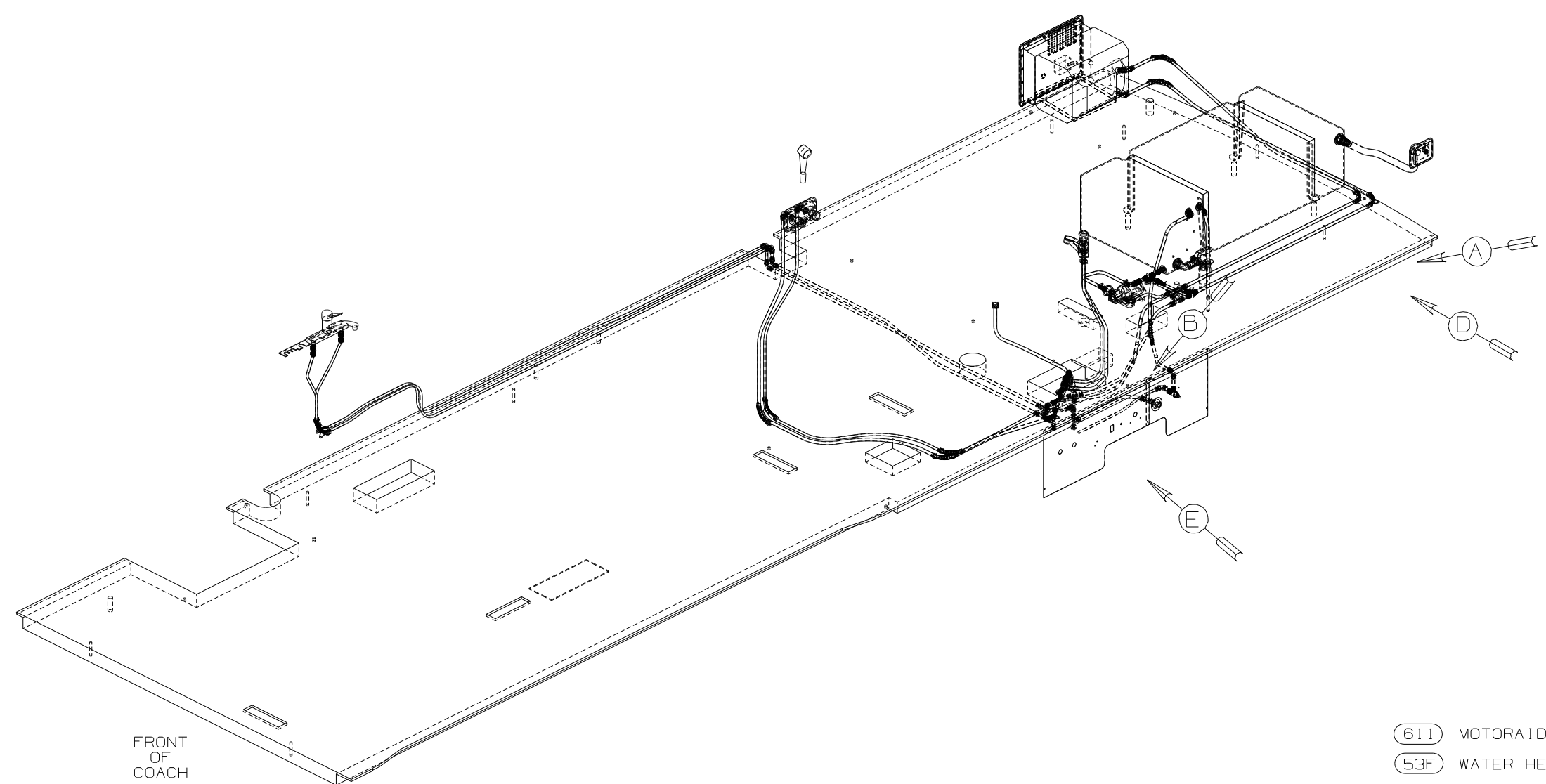


VIEW D

VIEW E

FIRST USED	04 D33L
TITLE	DO NOT SCALE DRAWING
TITLE	DRAINAGE SYSTEM INSTL
SHEET 3	PART NO 146795

8 7 6 5 4 3 2 1



FRONT OF COACH

- (611) MOTORAID & AUX. HEATER
- (53F) WATER HEATER-ELEC. IGNITION
- (64R) EXTERIOR WASH STATION
- (1J4) EXT WASH STATION-WITHOUT

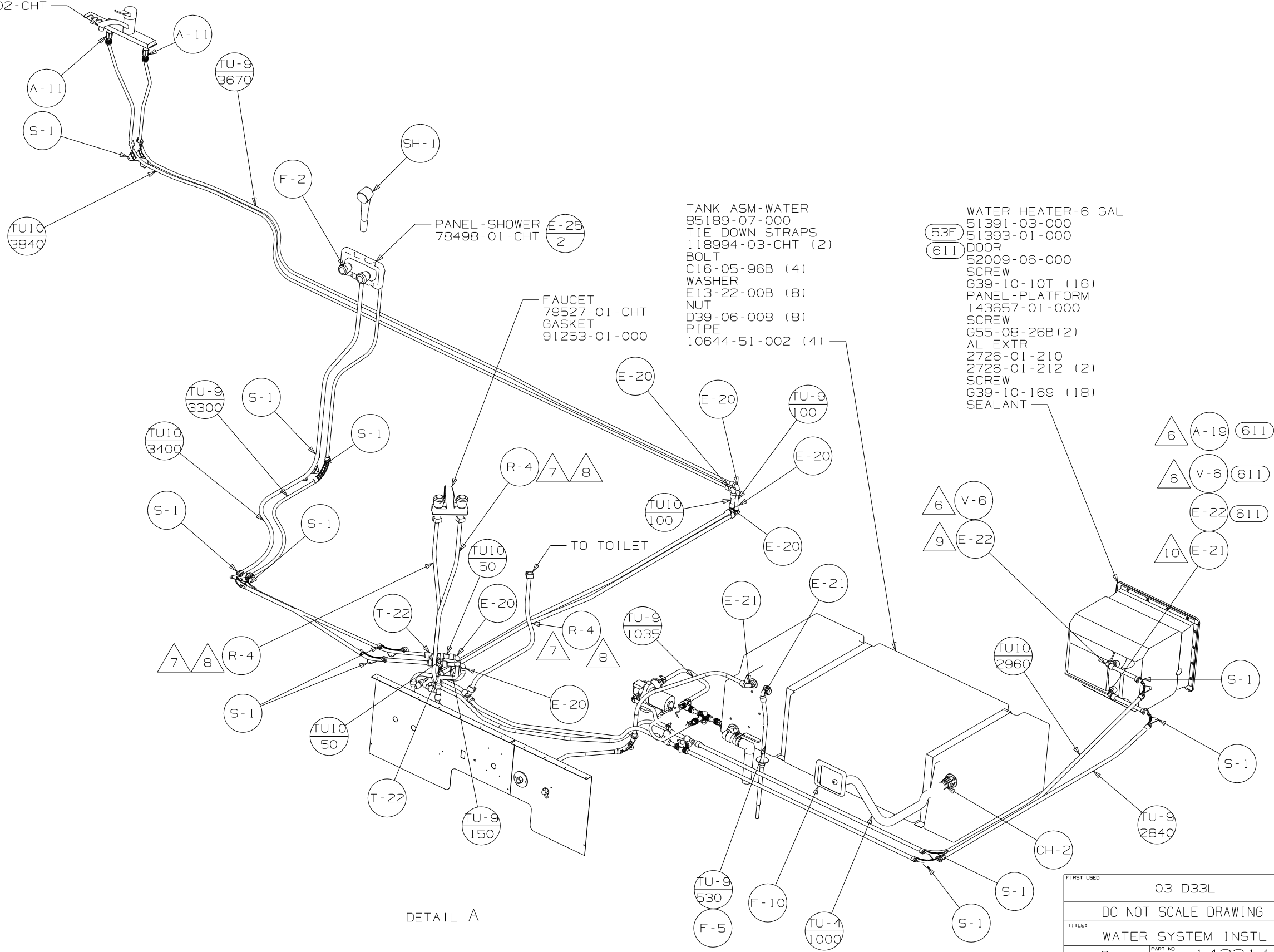
- NOTES:
1. PLASTIC FITTINGS TO BE SEALED WITH SEALANT 84456-01-000.
  2. TUBING TO BE INSTALLED WITH SUFFICIENT SLOPE TO PROVIDE DRAINAGE TO NEAREST VALVE.
  3. ALL TUBING TO BE SECURED AT 1200 INTERVALS MAXIMUM WITH CLAMP 10495-01-000 OR CLIP 9151-01-000 AND SCREW 667-10-12B.
  4. FLUSHING SYSTEM REQUIRES 125697-06-000 INSTRUCTION SHEET.
  5. ADD TEFLON TAPE 10405-02-000.
  6. ADD TEFLON TAPE 10405-01-000.
  7. TAPE FITTING TO TUBE BEFORE CABINET SET TO PREVENT FITTING FROM MOVING.
  8. LABEL HOT AND COLD SUPPLY TUBES.
  9. ADD TEFLON TAPE 10405-03-000.
  10. ADD PIPE WRAP (LADDER SCRAP) INSULATION HERE.

(X-X)  
FOR WATER CALLOUTS SEE DWG NO 116230-01-000

<b>WINNEBAGO</b>		COPYRIGHT 2004 WINNEBAGO INDUSTRIES, INC.	
DFTR	ORIG. DATE	ALL DIMENSIONS ARE IN MILLIMETERS	
CHKR		FIRST USED	
P.E.		03 D33L	
M.E.		UNSPECIFIED TOLERANCES ARE:	
DSNR		MATERIAL:	
		WHOLE DIM (X) :	3
		ONE-PLACE (X.X) :	
		TWO-PLACE (X.XX) :	
		ANGLE :	
THIRD ANGLE PROJECTION		DO NOT SCALE DRAWING	
TITLE: WATER SYSTEM INSTL			
SHEET 1 OF 3		PART NO 143214	

8 7 6 5 4 3 2 1

FAUCET  
104114-05-CHT  
BACKING-FAUCET  
137079-02-CHT



TANK ASM-WATER  
85189-07-000  
TIE DOWN STRAPS  
118994-03-CHT (2)  
BOLT  
C16-05-96B (4)  
WASHER  
E13-22-00B (8)  
NUT  
D39-06-008 (8)  
PIPE  
10644-51-002 (4)

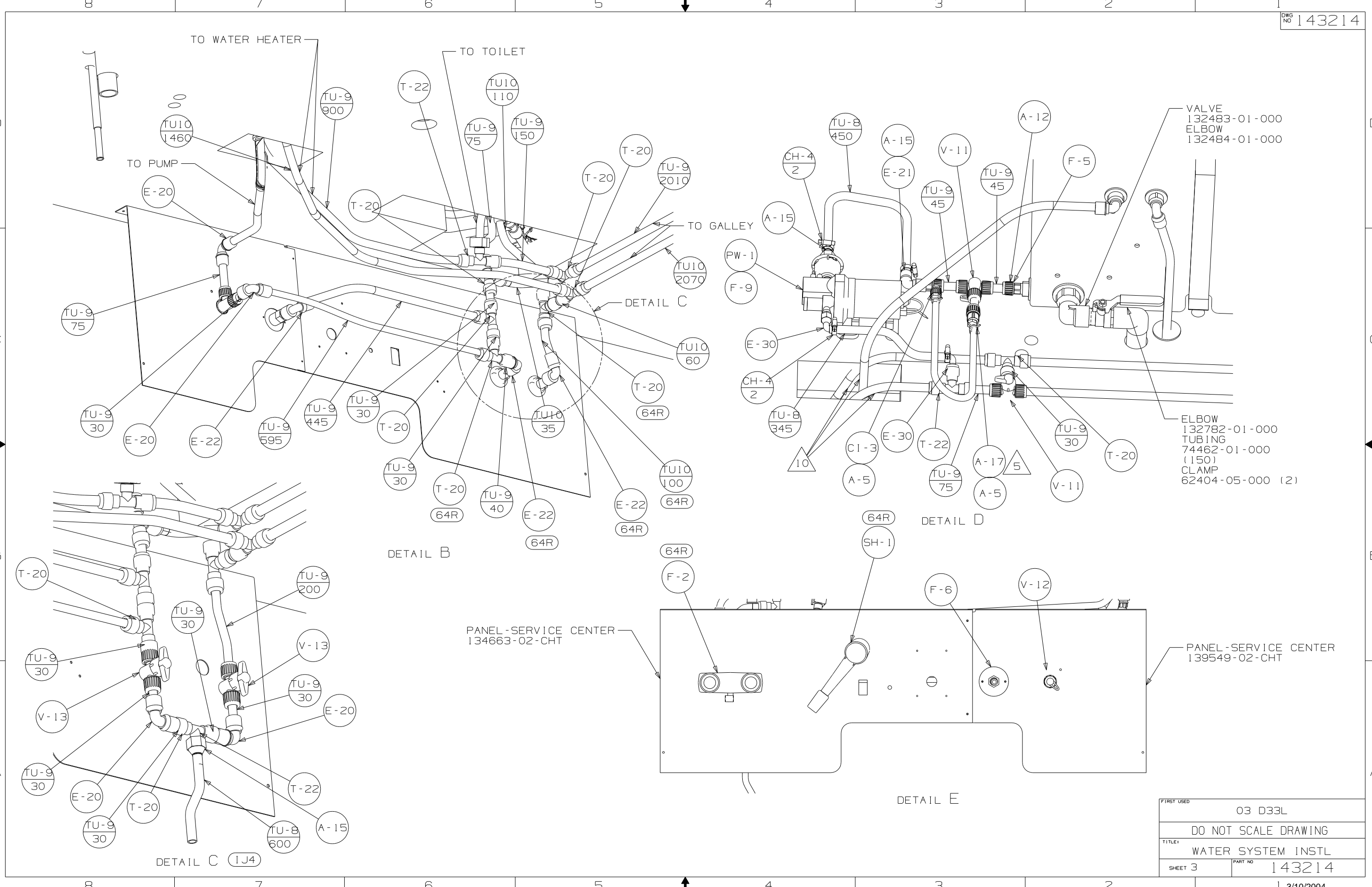
WATER HEATER-6 GAL  
51391-03-000  
51393-01-000  
53F DOOR  
611 52009-06-000  
SCREW  
G39-10-10T (16)  
PANEL-PLATFORM  
143657-01-000  
SCREW  
G55-08-26B(2)  
AL EXTR  
2726-01-210  
2726-01-212 (2)  
SCREW  
G39-10-169 (18)  
SEALANT

FAUCET  
79527-01-CHT  
GASKET  
91253-01-000

PANEL-SHOWER  
78498-01-CHT  
E-25  
2

DETAIL A

FIRST USED	03 D33L
DO NOT SCALE DRAWING	
TITLE	WATER SYSTEM INSTL
SHEET 2	PART NO 143214



FIRST USED	03 D33L
TITLE	DO NOT SCALE DRAWING
	WATER SYSTEM INSTL
SHEET 3	PART NO 143214
1 3/10/2004	