

- 8 TRIM P-TRAP EXTENSION TO FIT.
- 7 VALVE TERMINATION TEE TO BE POSITIONED AT 10° DOWN AND OUTBOARD.
- 6 SEAL AROUND SHOWER WITH SILICONE.
- 5 ALL EXTERIOR OPENINGS AROUND PIPE TO BE SEALED WITH 110744-01-000.
- 4 ALL PIPE AND FITTING TO BE ASSEMBLED WITH SOLVENT 4020-01-000.
- 3 SLOPE OF TRAP ARM MUST BE 6 PER 305 mm.
- 2 SLOPE OF HORIZONTAL PIPING TO BE 6 PER 305 mm.
- 1 VENT PIPE MUST PROJECT 51 MIN AND 64 MAX ABOVE ROOF FOR PROPER FIT.

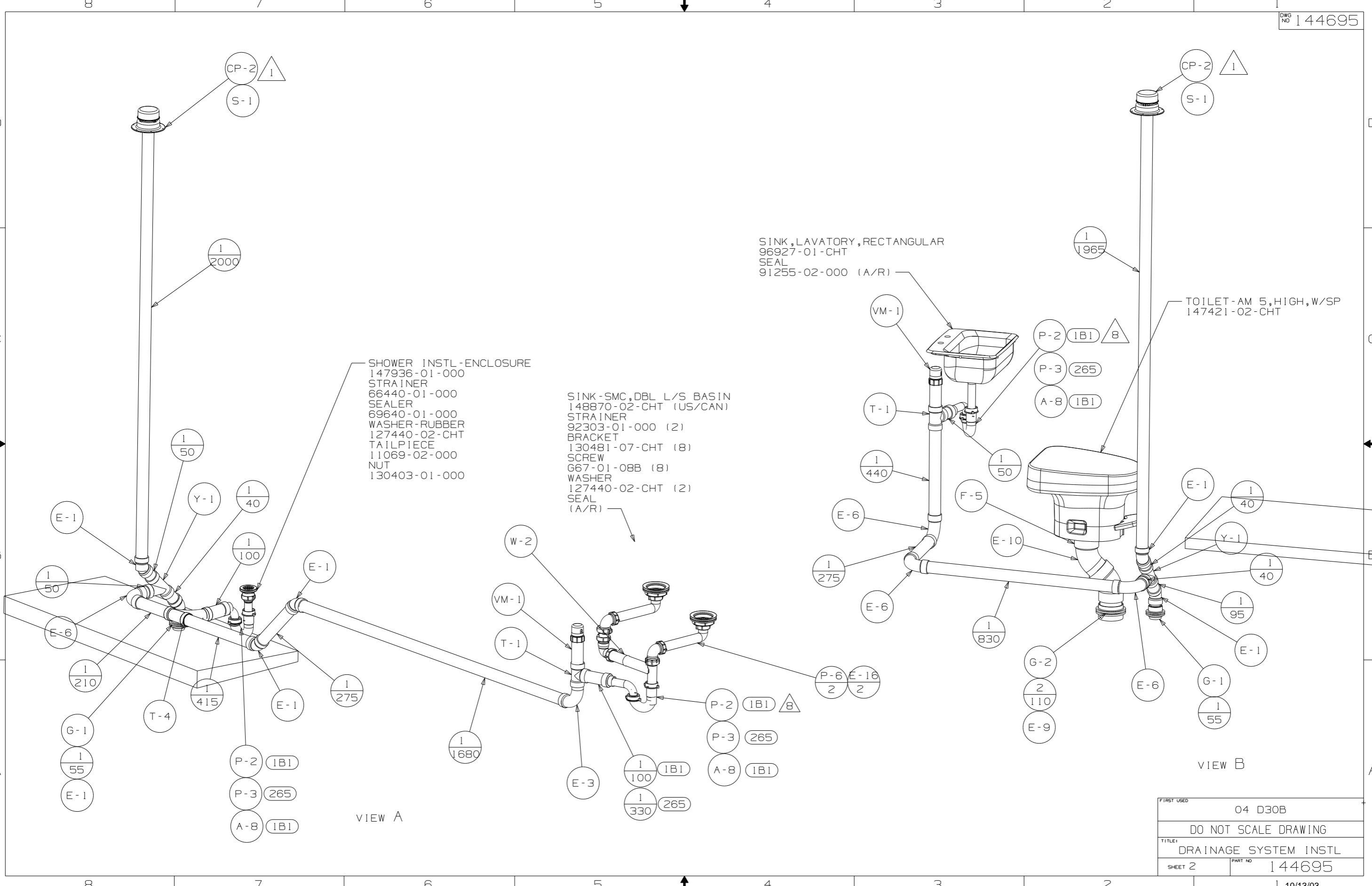
NOTES:

FRONT OF COACH

265 CODES/STDS-CSA/CMVSS
 1B1 CODES/STANDARDS-USA

WINNEBAGO		COPYRIGHT 2003 WINNEBAGO INDUSTRIES, INC.	
D/FR	ORIG. DATE	ALL DIMENSIONS ARE IN MILLIMETERS	
CHKR		FIRST USED	
P.E.		04 D30B	
M.E.		UNSPECIFIED TOLERANCES ARE:	
DSNR		WHOLE DIM (X)	: 3
		ONE-PLACE (X.X)	:
		TWO-PLACE (X.XX)	:
		ANGLE	:
THIRD ANGLE PROJECTION		MATERIAL:	
DO NOT SCALE DRAWING			
TITLE: DRAINAGE SYSTEM INSTL			
SHEET 1 OF 3		PART NO 144695	

X-X
 FOR DRAINAGE
 CALLOUTS
 SEE DWG NO
 116229-01-000



SHOWER INSTL-ENCLOSURE
 147936-01-000
 STRAINER
 66440-01-000
 SEALER
 69640-01-000
 WASHER-RUBBER
 127440-02-CHT
 TAILPIECE
 11069-02-000
 NUT
 130403-01-000

SINK-SMC, DBL L/S BASIN
 148870-02-CHT (US/CAN)
 STRAINER
 92303-01-000 (2)
 BRACKET
 130481-07-CHT (8)
 SCREW
 G67-01-08B (8)
 WASHER
 127440-02-CHT (2)
 SEAL (A/R)

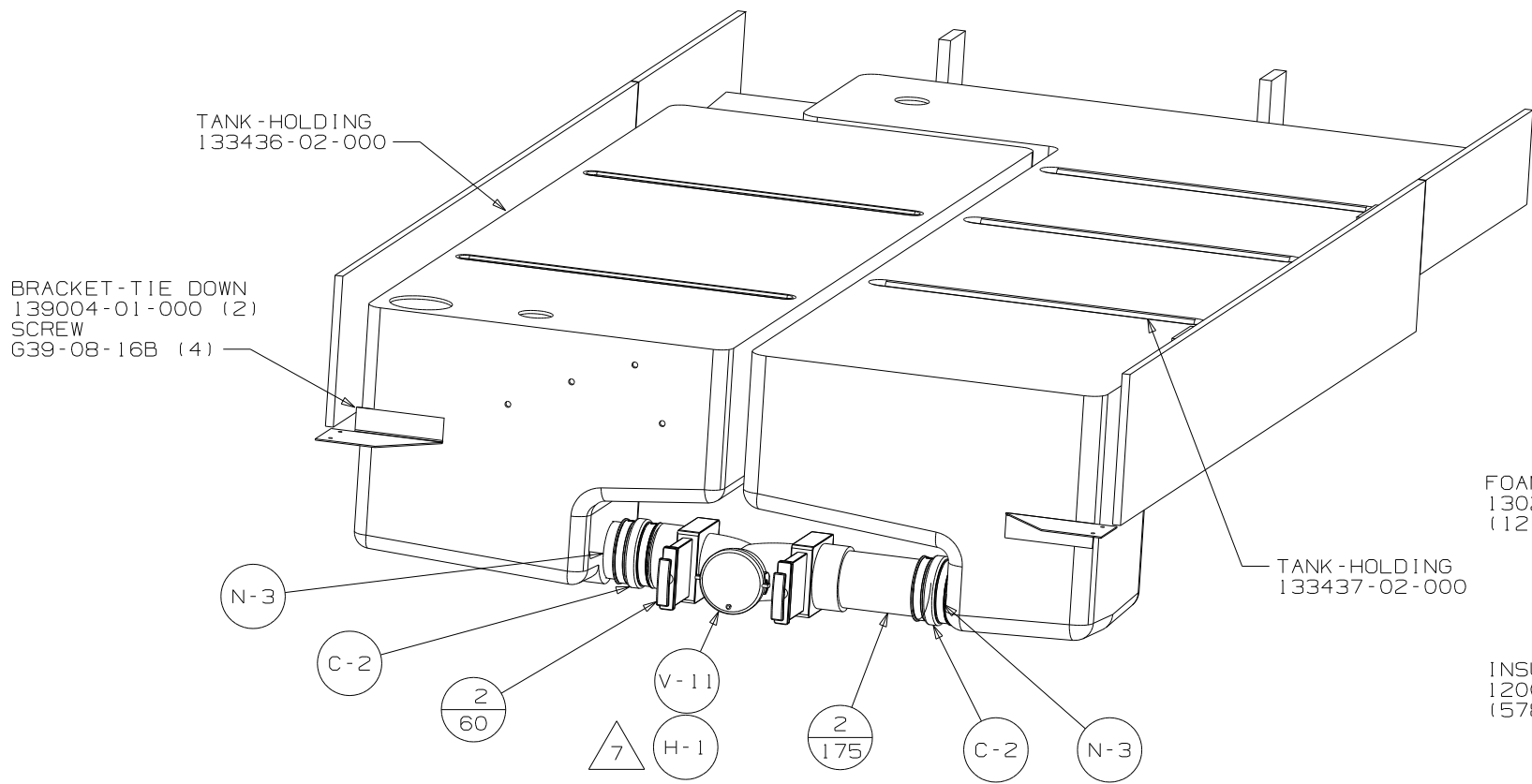
SINK, LAVATORY, RECTANGULAR
 96927-01-CHT
 SEAL
 91255-02-000 (A/R)

TOILET-AM 5,HIGH,W/SP
 147421-02-CHT

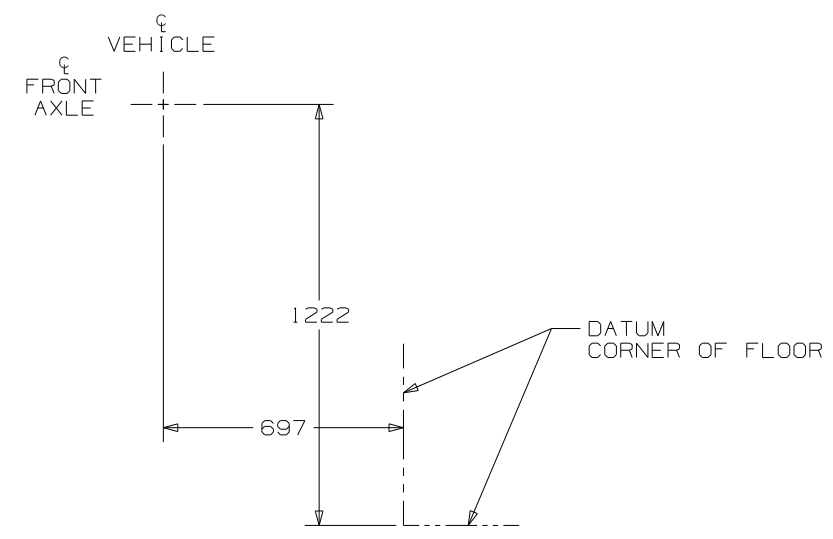
VIEW A

VIEW B

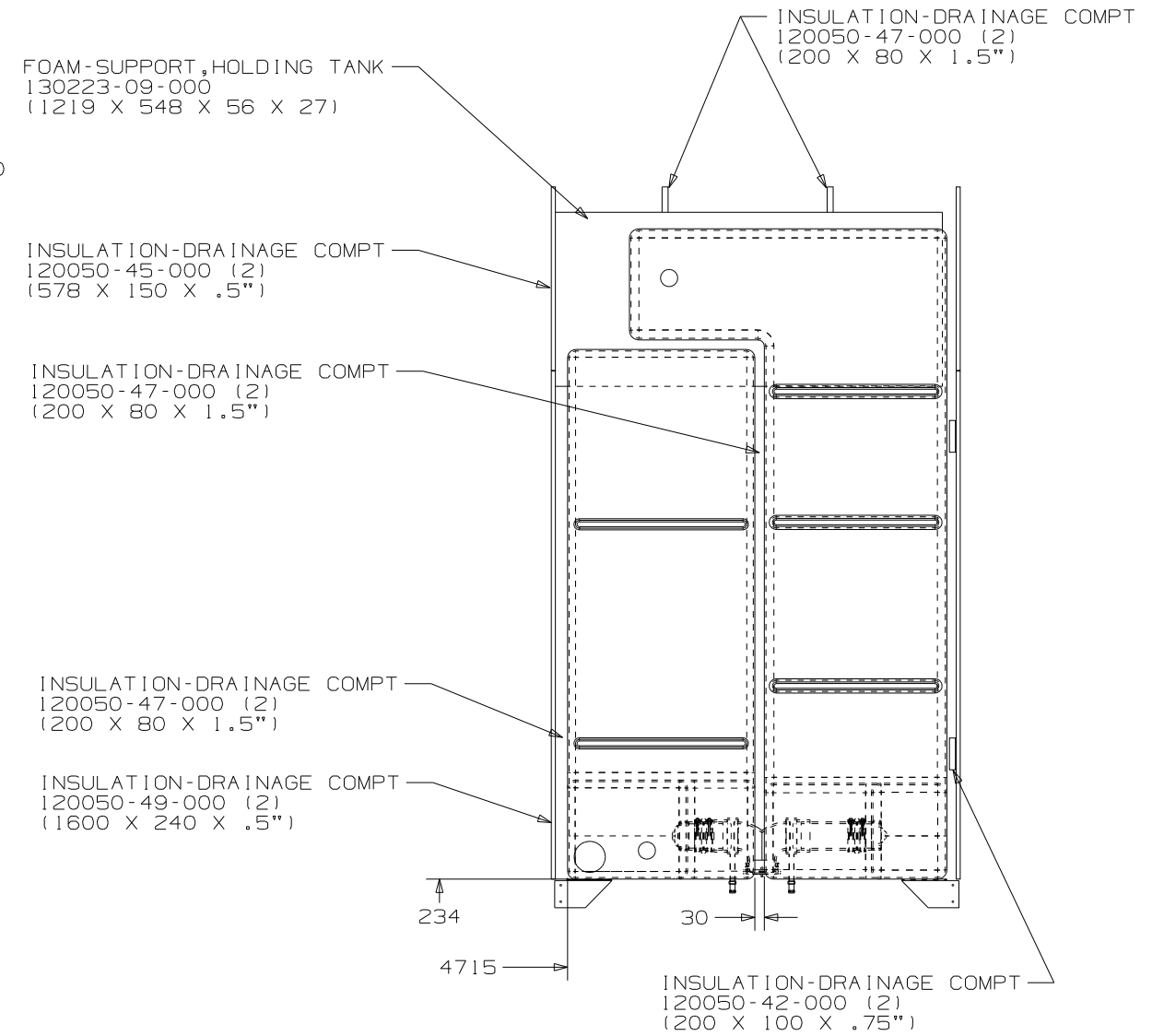
FIRST USED	04 D30B
DO NOT SCALE DRAWING	
TITLE: DRAINAGE SYSTEM INSTL	
SHEET 2	PART NO 144695



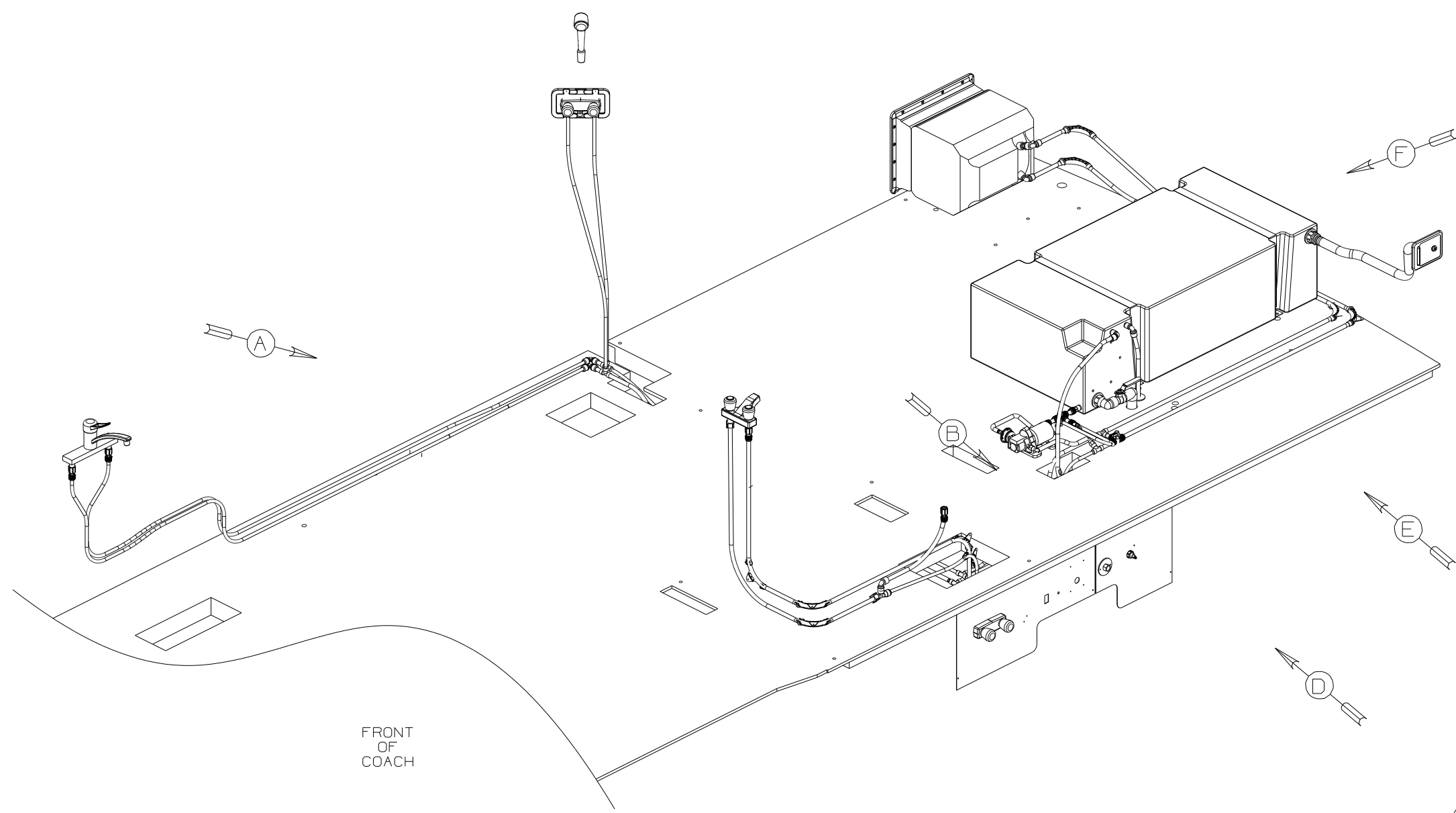
VIEW C



VIEW D



FIRST USED	04 D30B
TITLE	DO NOT SCALE DRAWING DRAINAGE SYSTEM INSTL
SHEET 3	PART NO 144695



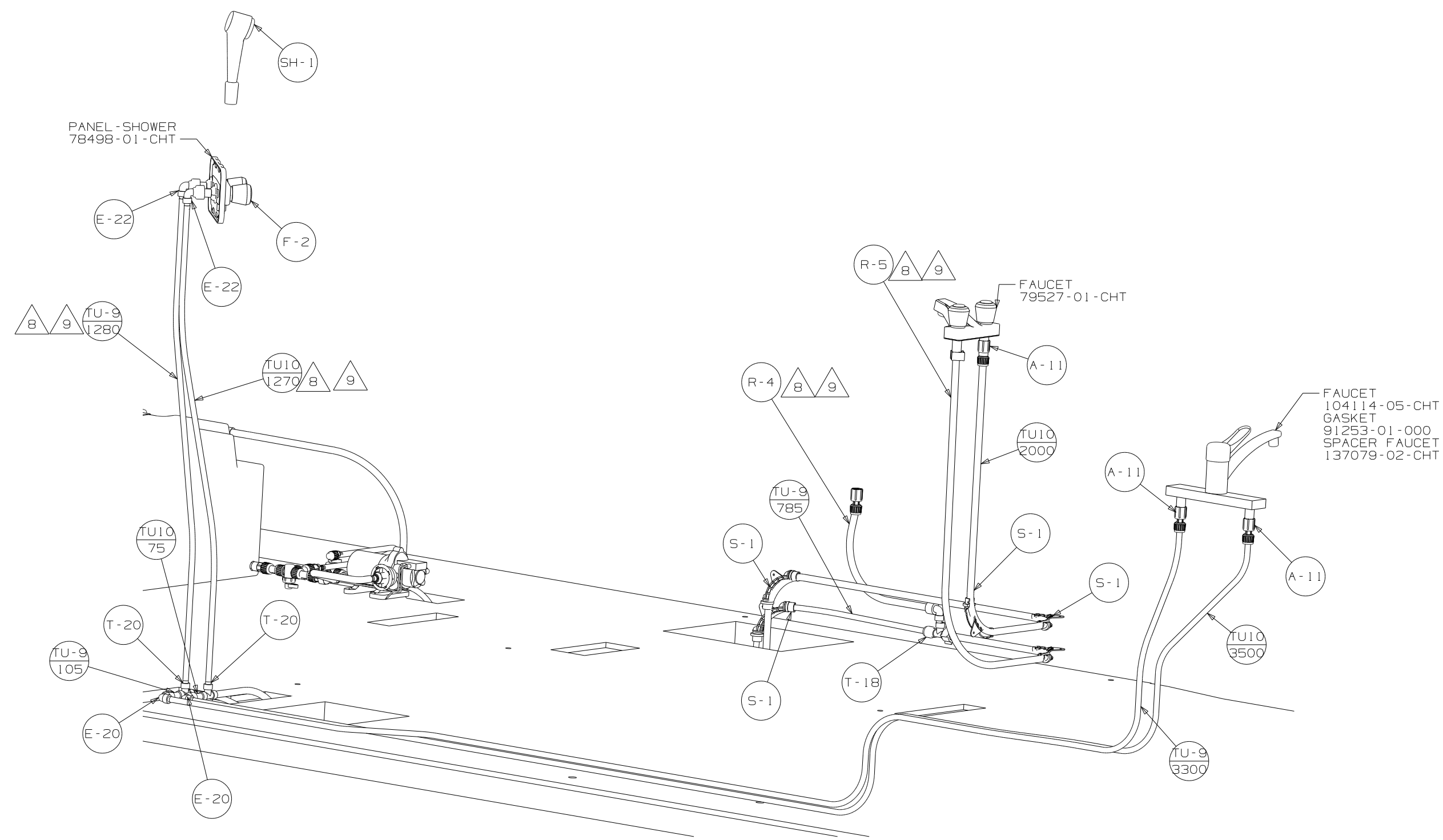
FRONT
OF
COACH

- NOTES:
- 1. PLASTIC FITTINGS TO BE SEALED WITH SEALANT 84456-01-000.
 - 2. TUBING TO BE INSTALLED WITH SUFFICIENT SLOPE TO PROVIDE DRAINAGE TO NEAREST VALVE.
 - 3. ALL TUBING TO BE SECURED AT 1200 INTERVALS MAXIMUM WITH CLAMP 10495-01-000 OR CLIP 9151-01-000 AND SCREW G67-10-12B.
 - 4. CLAMPS MUST BE ON BARBS.
 - 5. ADD TEFLON TAPE 10405-02-000 TO FITTING.
 - 6. ADD TEFLON TAPE 10405-03-000 TO FITTING.
 - 7. ADD TEFLON TAPE 10405-01-000 TO FITTING.
 - 8. TAPE FITTING TO TUBE BEFORE CABINET SET, TO PREVENT FITTING FROM MOVING.
 - 9. LABEL THE HOT AND COLD SUPPLY TUBES.
 - 10. ADD PIPE WRAP (LADDER SCRAP) INSULATION HERE.

- (64R) EXTERIOR WASH STATION
- (1J4) EXTERIOR WASH STATION W/O
- (611) MOTORAID & AUX HEATER

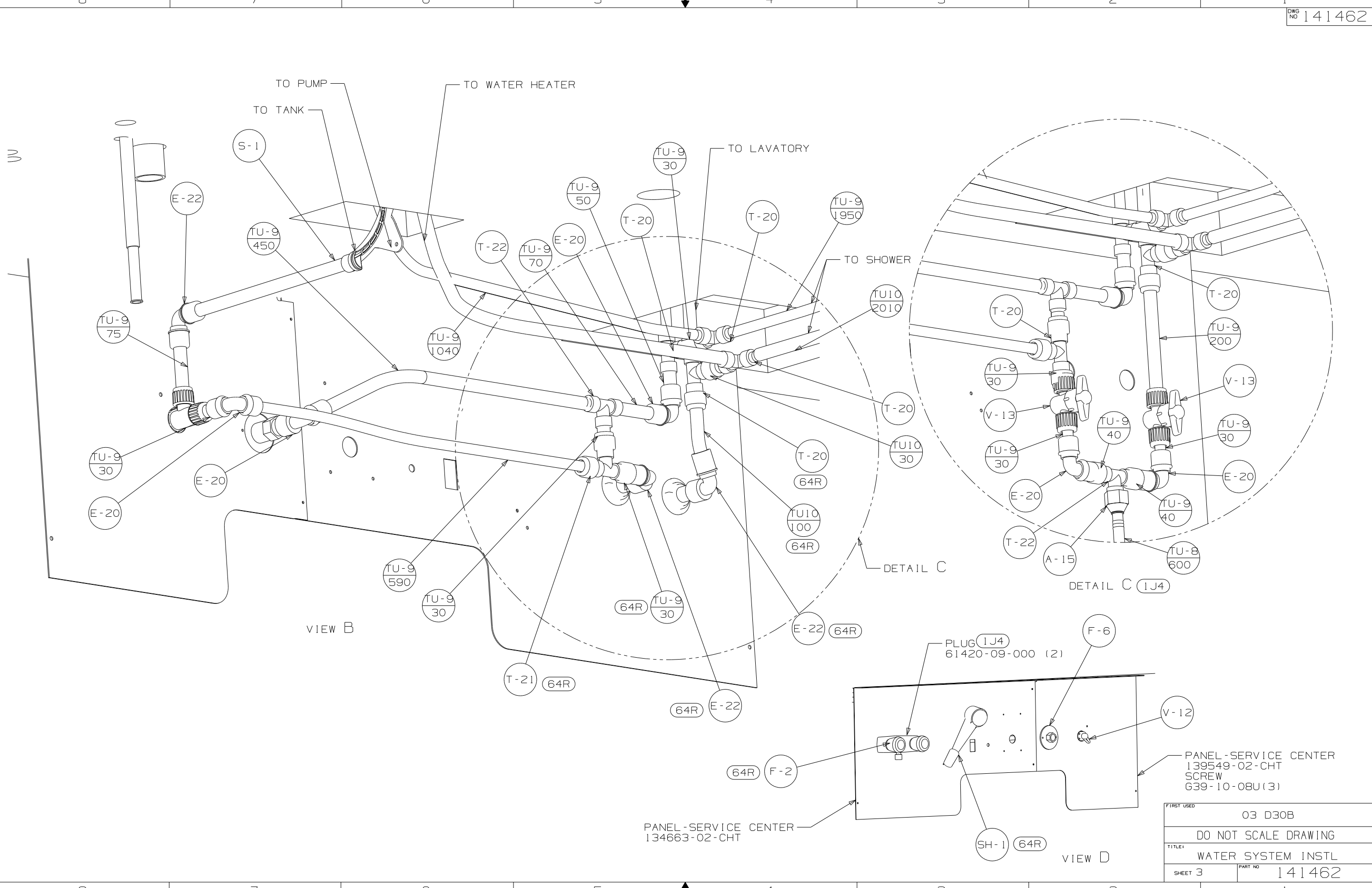
(X-X)
FOR
WATER
CALLOUTS
SEE DWG NO
116230-01-000

WINNEBAGO		COPYRIGHT 2004 WINNEBAGO INDUSTRIES, INC.	
DFT-016	ORIG. DATE	ALL DIMENSIONS ARE IN MILLIMETERS	
CHKR		FIRST USED	
P.E.		03 D30B	
M.E.		UNSPECIFIED TOLERANCES ARE:	
DSNR		MATERIAL:	
		WHOLE DIM (X)	: 1
		ONE-PLACE (X.X)	:
		TWO-PLACE (X.XX)	:
		ANGLE	:
THIRD ANGLE PROJECTION		DO NOT SCALE DRAWING	
TITLE: WATER SYSTEM INSTL			
SHEET 1 OF 4		PART NO 141462	



VIEW A

FIRST USED	03 D30B
DO NOT SCALE DRAWING	
TITLE	WATER SYSTEM INSTL
SHEET 2	PART NO 141462



TO PUMP
TO TANK
TO WATER HEATER

TO LAVATORY

TO SHOWER

VIEW B

DETAIL C

DETAIL C (1J4)

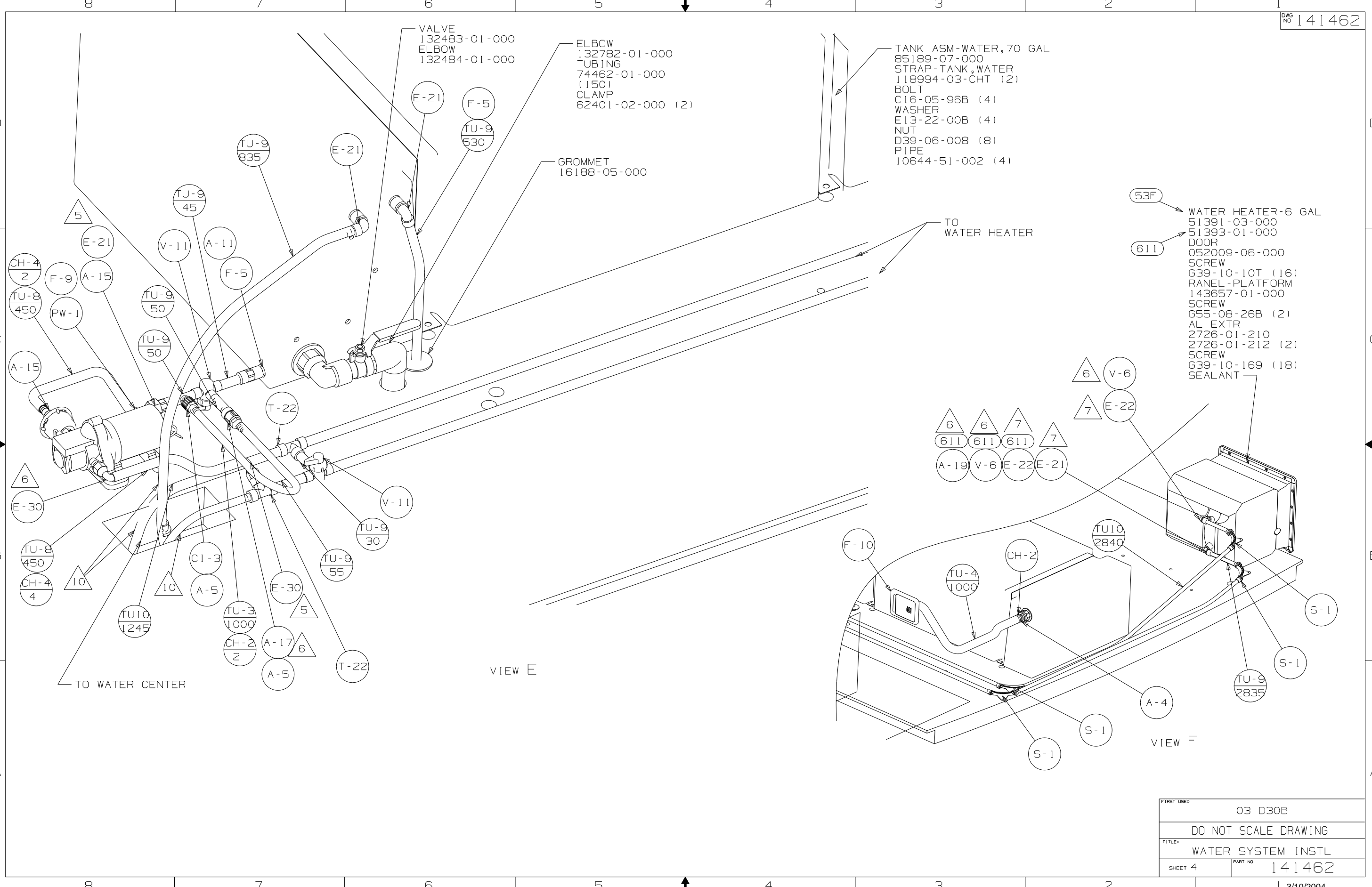
PANEL-SERVICE CENTER
134663-02-CHT

PLUG (1J4)
61420-09-000 (2)

PANEL-SERVICE CENTER
139549-02-CHT
SCREW
G39-10-08U (3)

VIEW D

FIRST USED	03 D30B
TITLE	DO NOT SCALE DRAWING
TITLE	WATER SYSTEM INSTL
SHEET 3	PART NO 141462



FIRST USED	03 D30B
DO NOT SCALE DRAWING	
TITLE	WATER SYSTEM INSTL
SHEET 4	PART NO 141462