

- 7 VALVE TERMINATION TEE TO BE POSITIONED AT 10° DOWN AND OUTBOARD.
- 6 SEAL AROUND SHOWER WITH SILICONE.
- 5 ALL EXTERIOR OPENINGS AROUND PIPE TO BE SEALED WITH 110744-01-000.
- 4 ALL PIPE AND FITTING TO BE ASSEMBLED WITH SOLVENT 4020-01-000.
- 3 SLOPE OF TRAP ARM MUST BE 6 PER 305 mm.
- 2 SLOPE OF HORIZONTAL PIPING TO BE 6 PER 305 mm.

1 VENT PIPE MUST PROJECT 51 MIN AND 64 MAX ABOVE ROOF FOR PROPER FIT AND FUNCTION.

NOTES:

1B1 CODES/STANDARDS-USA
 265 CODES/STDS-CSA/CMVSS



DFTR	ORIG. DATE
CHKR	ALL DIMENSIONS ARE IN MILLIMETERS
P.E.	
M.E.	FIRST USED
DSNR	04 D27C
UNSPECIFIED TOLERANCES ARE:	MATERIAL:
HOLE DIM (X) : 7	
ONE-PLACE (X.X) :	
TWO-PLACE (X.XX) :	
ANGLE :	
THIRD ANGLE PROJECTION	

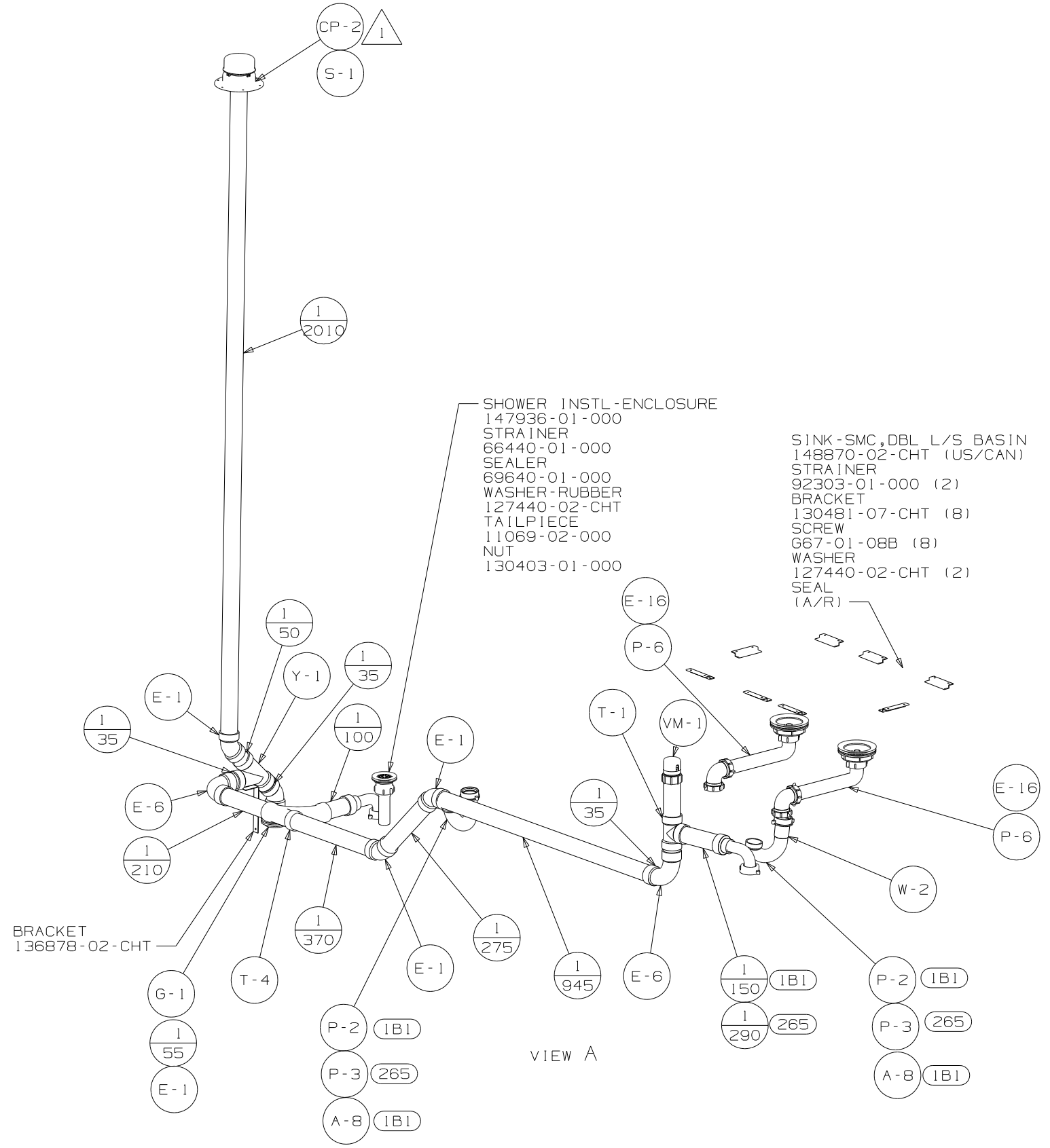
FOR DRAINAGE CALLOUTS SEE DWG NO 116229-01-000

DO NOT SCALE DRAWING
 TITLE: DRAINAGE SYSTEM INSTL
 SHEET 1 OF 3 PART NO 144948

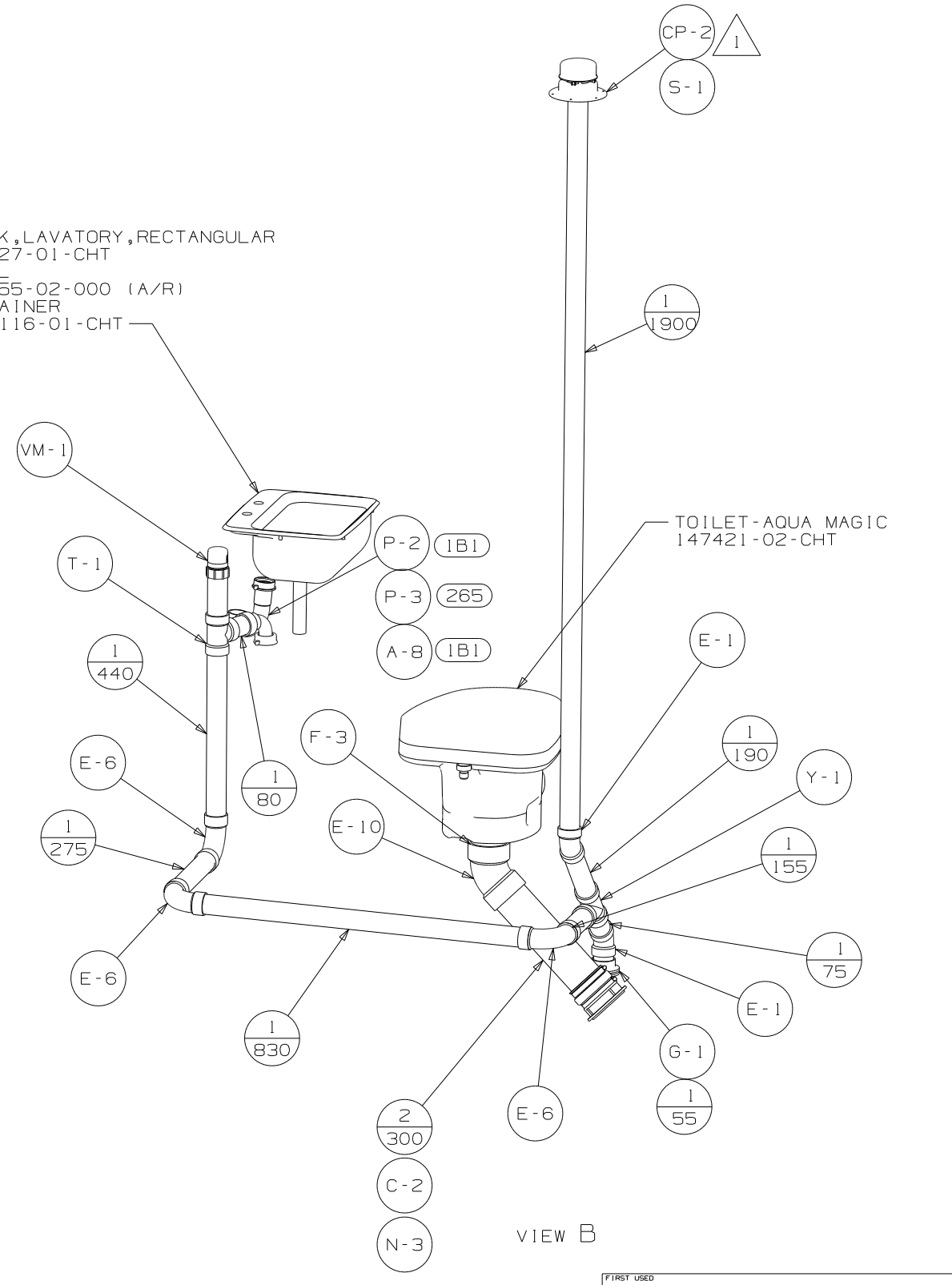
SINK, LAVATORY, RECTANGULAR
96927-01-CHT
SEAL
91255-02-000 (A/R)
STRAINER
106116-01-CHT

SHOWER INSTL-ENCLOSURE
147936-01-000
STRAINER
66440-01-000
SEALER
69640-01-000
WASHER-RUBBER
127440-02-CHT
TAILPIECE
11069-02-000
NUT
130403-01-000

SINK-SMC, DBL L/S BASIN
148870-02-CHT (US/CAN)
STRAINER
92303-01-000 (2)
BRACKET
130481-07-CHT (8)
SCREW
G67-01-08B (8)
WASHER
127440-02-CHT (2)
SEAL
(A/R)

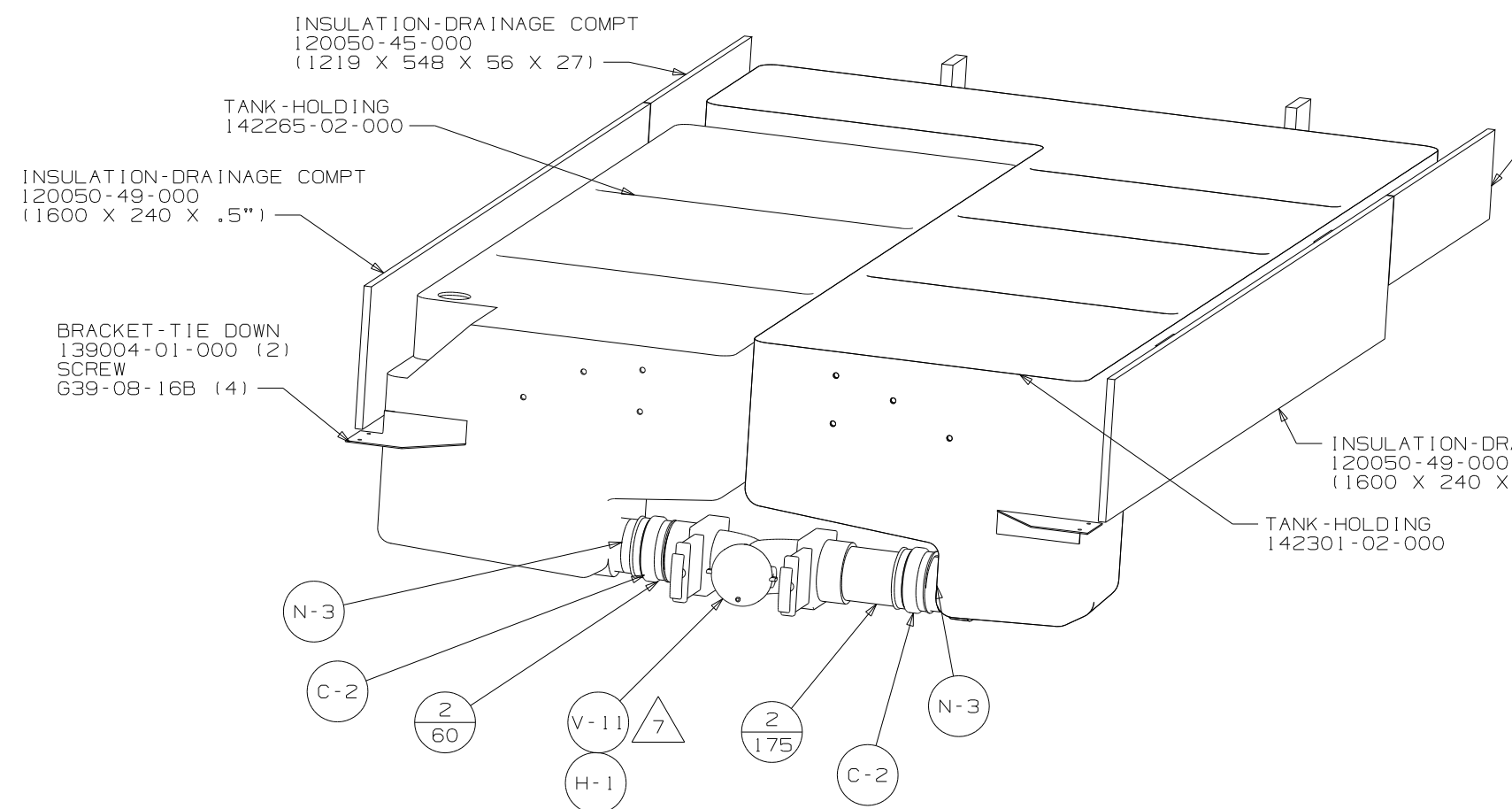


VIEW A

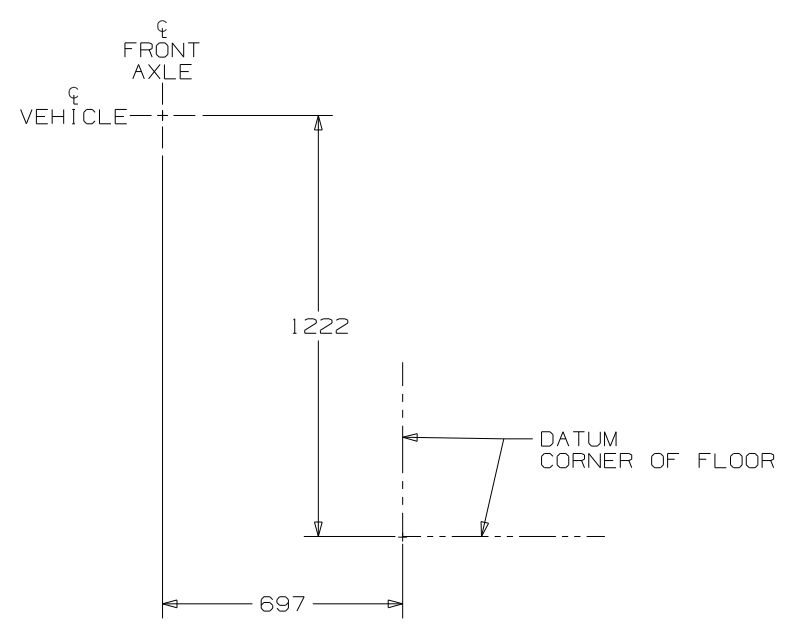


VIEW B

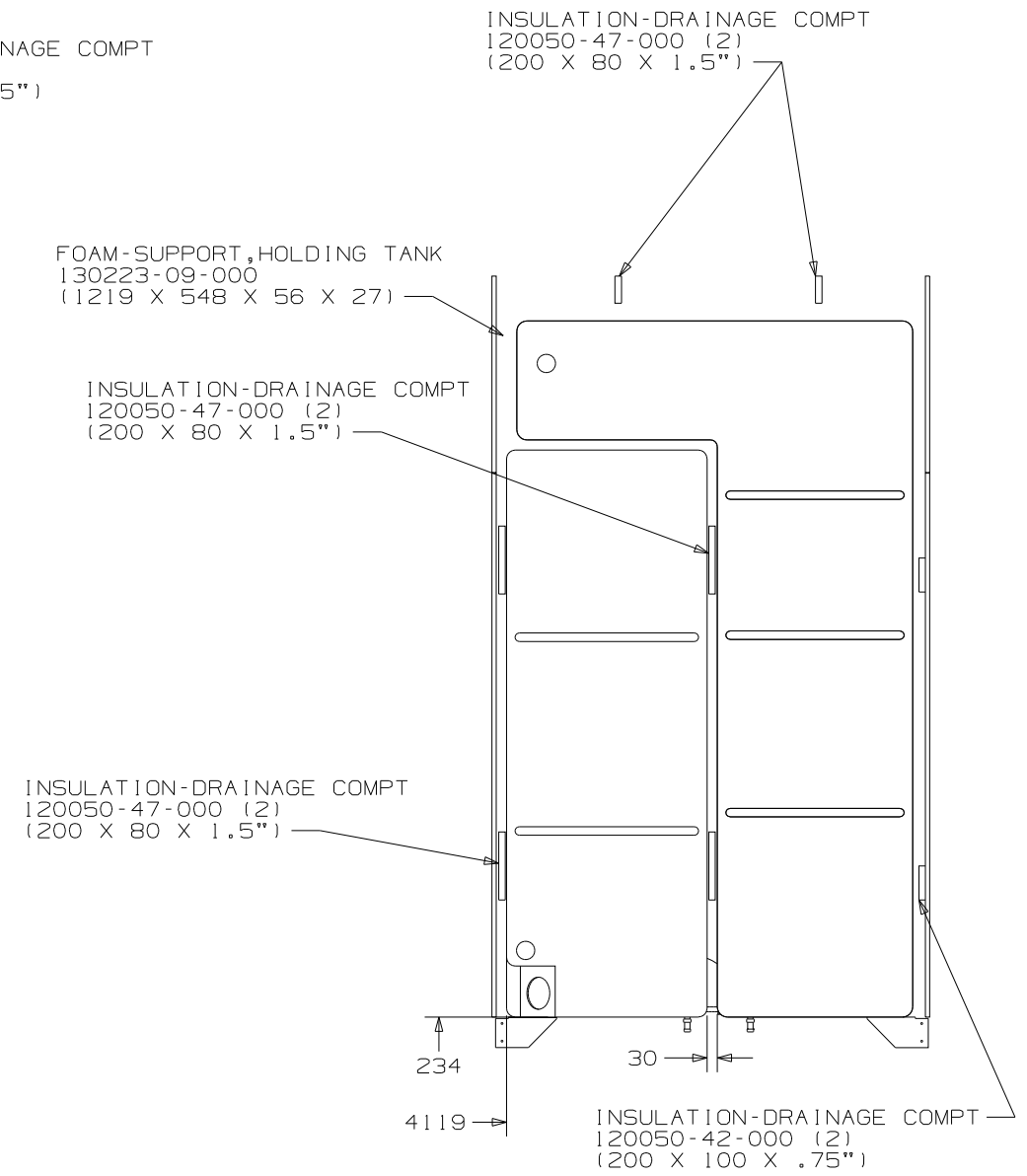
FIRST USED	04 D27C
DO NOT SCALE DRAWING	
TITLE	DRAINAGE SYSTEM INSTL
SHEET 2	PART NO 144948



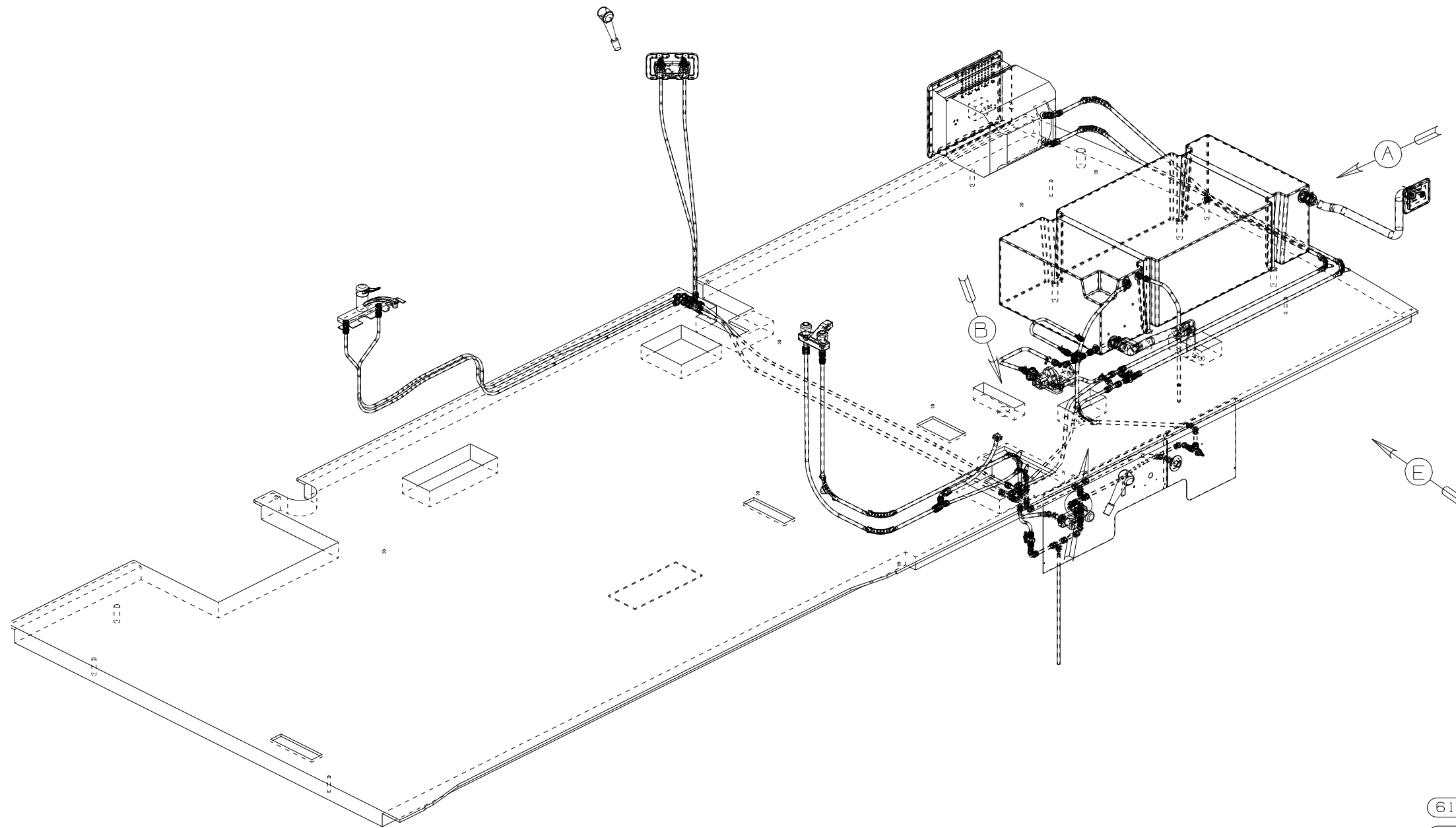
VIEW C



VIEW D



FIRST USED	04 D27C
TITLE	DO NOT SCALE DRAWING
SHEET 3	PART NO 144948

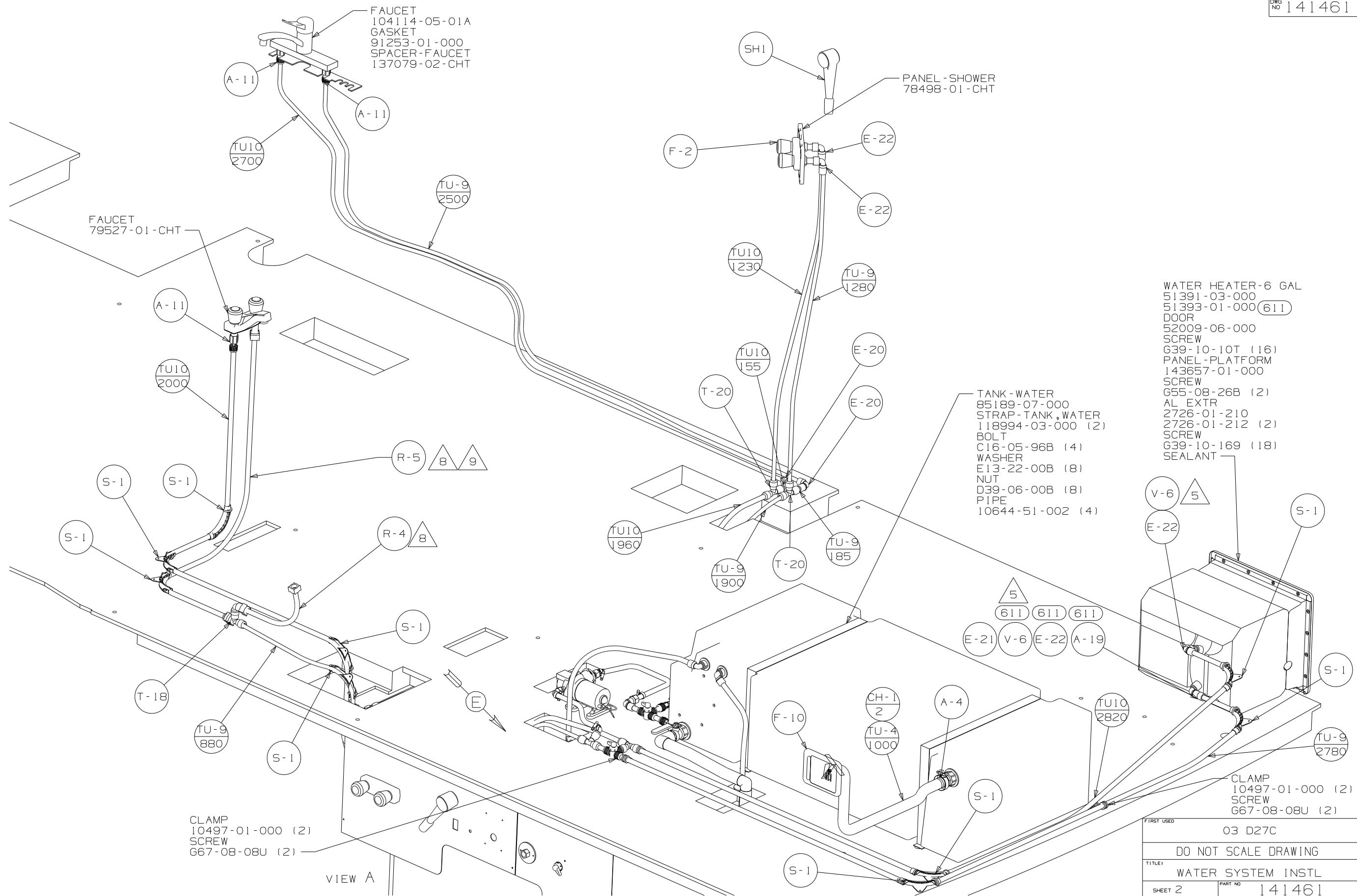


- NOTES:
- 1. PLASTIC FITTINGS TO BE SEALED WITH SEALANT 84456-01-000.
 - 2. TUBING TO BE INSTALLED WITH SUFFICIENT SLOPE TO PROVIDE DRAINAGE TO NEAREST VALVE.
 - 3. ALL TUBING TO BE SECURED AT 1200 INTERVALS MAXIMUM WITH CLAMP 10495-01-000 OR CLIP 9151-01-000 AND SCREW 667-10-12B.
 - 4. CLAMPS MUST BE ON BARBS.
 - 5. ADD TEFLON TAPE 10405-02-000 TO FITTINGS.
 - 6. ADD TEFLON TAPE 10405-03-000 TO FITTING.
 - 7. ADD TEFLON TAPE 10405-01-000 TO FITTINGS.
 - 8. TAPE FITTING TO TUBE BEFORE CABINET SET TO PREVENT FITTING FROM MOVING.
 - 9. LABEL THE HOT AND COLD SUPPLY TUBES.
 - 10. ADD PIPE WRAP (LADDER SCRAP) INSULATION HERE.

- (611) MOTORAID & AUX. HEATER
- (1J4) W/O EXTERIOR WASH STATION
- (64R) EXTERIOR WASH STATION

WINNEBAGO		COPYRIGHT 2004 WINNEBAGO INDUSTRIES, INC.	
DFT-016	ORIG. DATE	ALL DIMENSIONS ARE IN MILLIMETERS	
CHKR		FIRST USED	
P.E.		03 D27C	
M.E.		UNSPECIFIED TOLERANCES ARE:	
DSNR		MATERIAL:	
		WHOLE DIM (X) :	
		ONE-PLACE (X.X) :	
		TWO-PLACE (X.XX) :	
		ANGLE :	
THIRD ANGLE PROJECTION		DO NOT SCALE DRAWING	
TITLE: WATER SYSTEM INSTL			
SHEET 1 OF 4		PART NO 141461	

(X-X)
FOR
WATER
CALLOUTS
SEE DWG NO
116230-01-000



FAUCET
79527-01-CHT

FAUCET
104114-05-01A
GASKET
91253-01-000
SPACER-FAUCET
137079-02-CHT

PANEL-SHOWER
78498-01-CHT

WATER HEATER-6 GAL
51391-03-000
51393-01-000 (611)
DOOR
52009-06-000
SCREW
G39-10-10T (16)
PANEL-PLATFORM
143657-01-000
SCREW
G55-08-26B (2)
AL EXTR
2726-01-210
2726-01-212 (2)
SCREW
G39-10-169 (18)
SEALANT

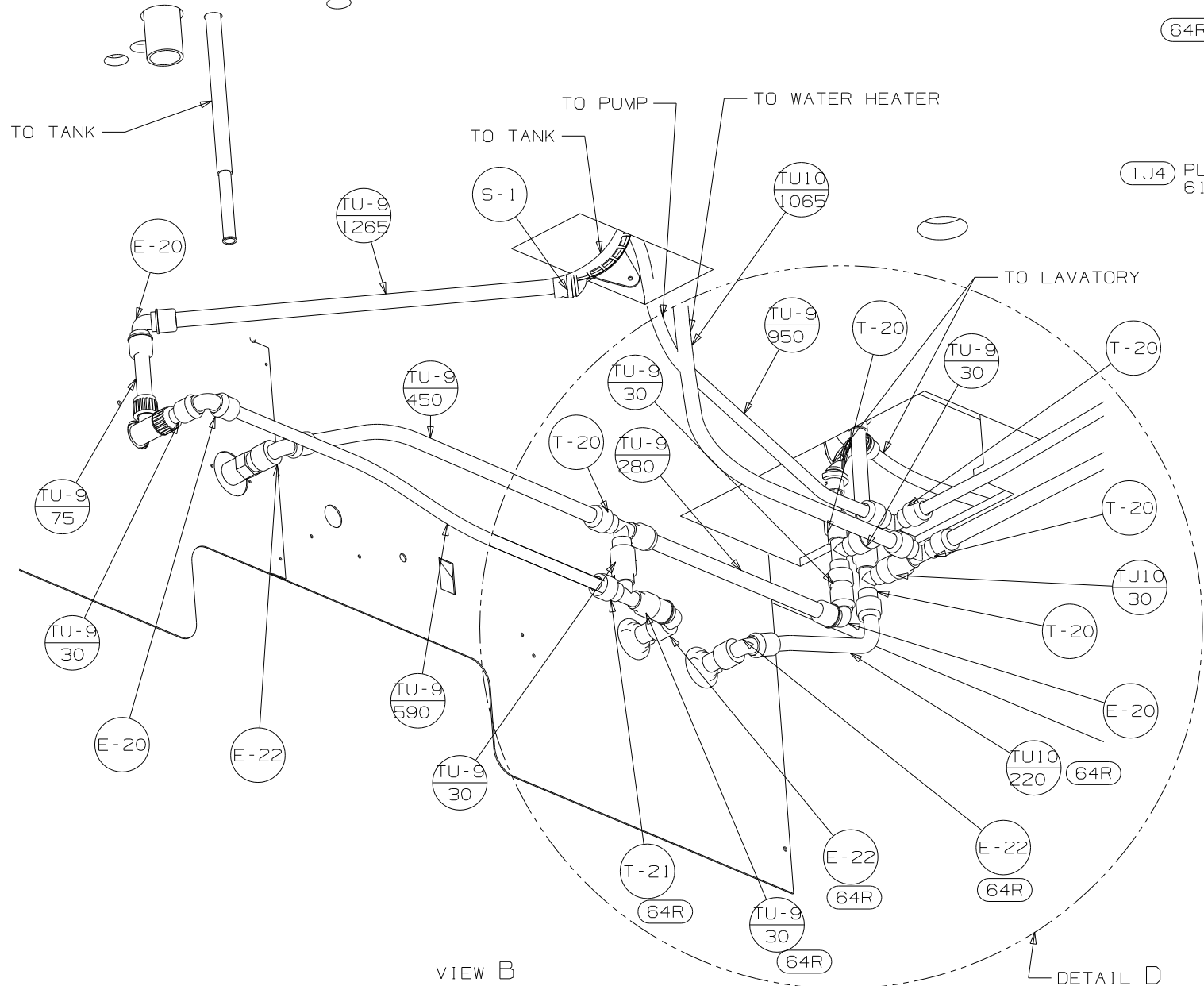
TANK-WATER
85189-07-000
STRAP-TANK,WATER
118994-03-000 (2)
BOLT
C16-05-96B (4)
WASHER
E13-22-00B (8)
NUT
D39-06-00B (8)
PIPE
10644-51-002 (4)

CLAMP
10497-01-000 (2)
SCREW
G67-08-08U (2)

CLAMP
10497-01-000 (2)
SCREW
G67-08-08U (2)

VIEW A

FIRST USED	03 D27C
DO NOT SCALE DRAWING	
TITLE:	WATER SYSTEM INSTL
SHEET 2	PART NO 141461

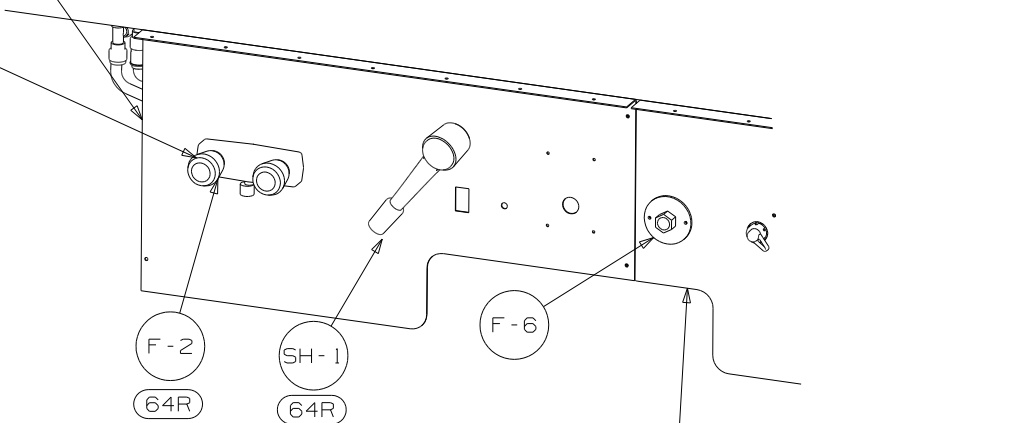


VIEW B

DETAIL D

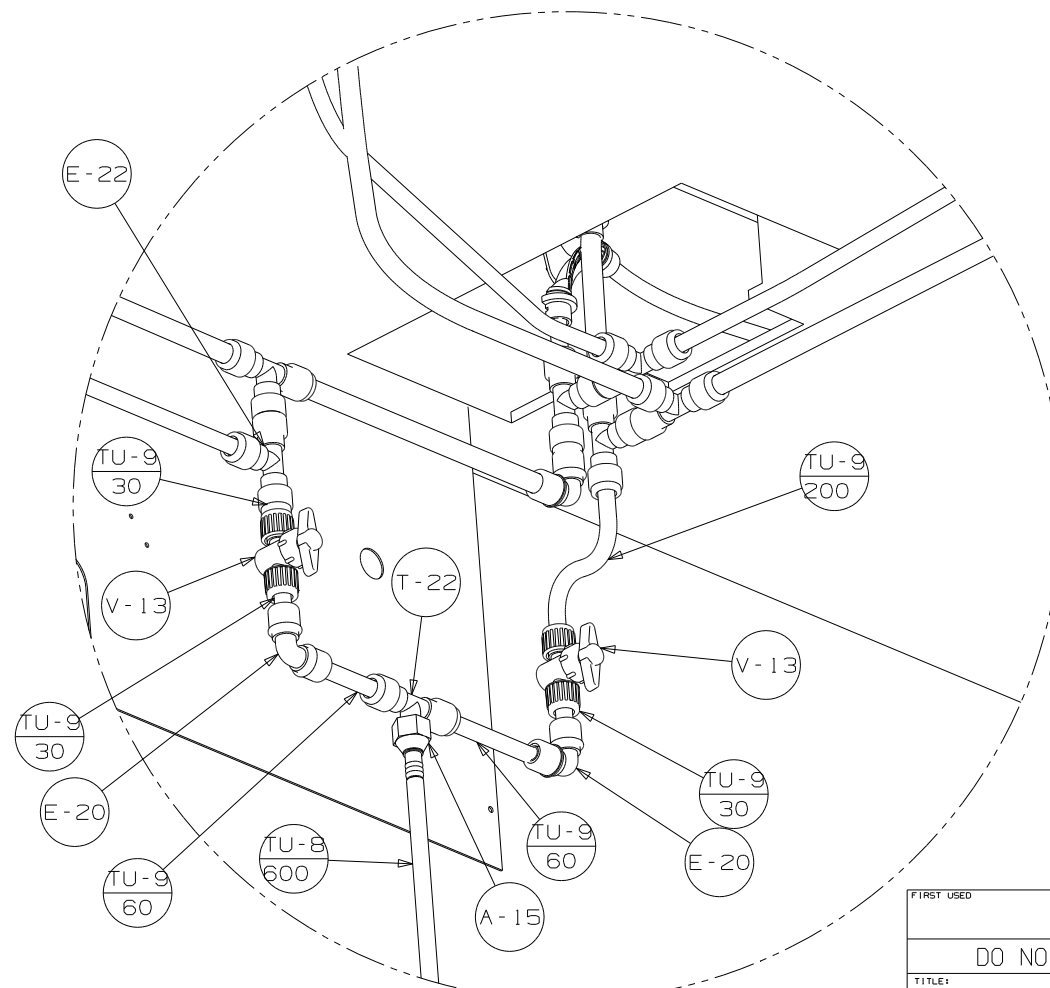
64R PANEL - SERVICE CENTER
134663-02-CHT

IJ4 PLUG
61420-09-000 (2)



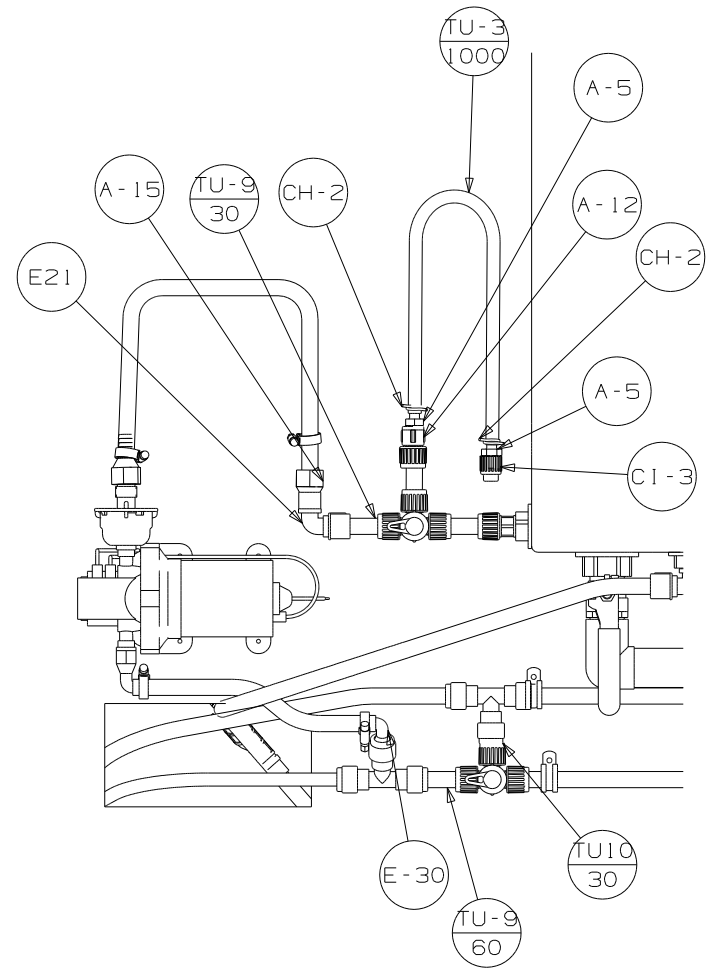
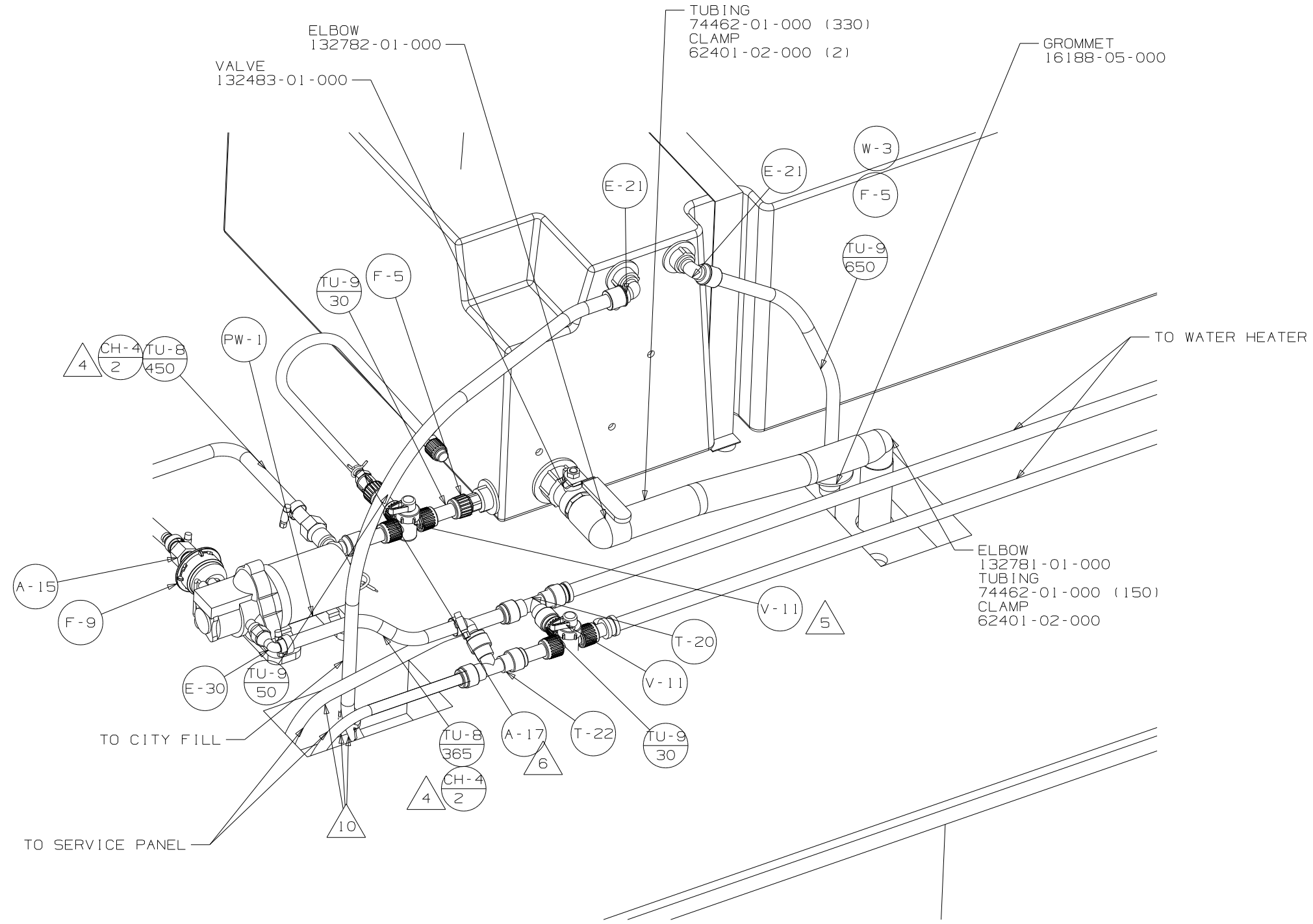
VIEW C

PANEL - SERVICE CENTER
139549-02-CHT
SCREW
G39-10-08U (3)



DETAIL D IJ4

FIRST USED	03 D27C
DO NOT SCALE DRAWING	
TITLE: WATER SYSTEM INSTL	
SHEET 3	PART NO 141461



VIEW E

FIRST USED	03 D27C
TITLE	DO NOT SCALE DRAWING
TITLE	WATER SYSTEM INSTL
SHEET 4	PART NO 141461