

- 10. SECURE VENT TUBES TO FLOOR WITH CLAMP 62401-02-000 (2) AND SCREW G67-10-12B (2).
- 9. VENT PIPE MUST PROJECT 51 MM MIN AND 64 MM MAX ABOVE ROOF FOR PROPER FIT AND FUNCTION.
- 8. SEE DRAWING 61607-01-000 FOR INSTL OF GROMMETS.
- 7. SEAL ALL AROUND SHOWER SITH SILICONE.
- 6. TRIM P-TRAP EXTENSION TO FIT.
- 5. SECURE PIPES TO CABINET USING WIRE TIE 108046-02-000 AND SCREW G67-10-12B (8).
- 4. ALL EXTERIOR OPENINGS AROUND PIPE TO BE SEALED WITH 110744-01-000.
- 3. ALL PIPE AND FITTINGS TO BE ASSEMBLED WITH SOLVENT 4020-01-000.
- 2. SLOPE OF TRAP ARM MUST BE 6 PER 305.
- 1. SLOPE OF HORIZONTAL PIPING TO BE 6 PER 305 MIN.

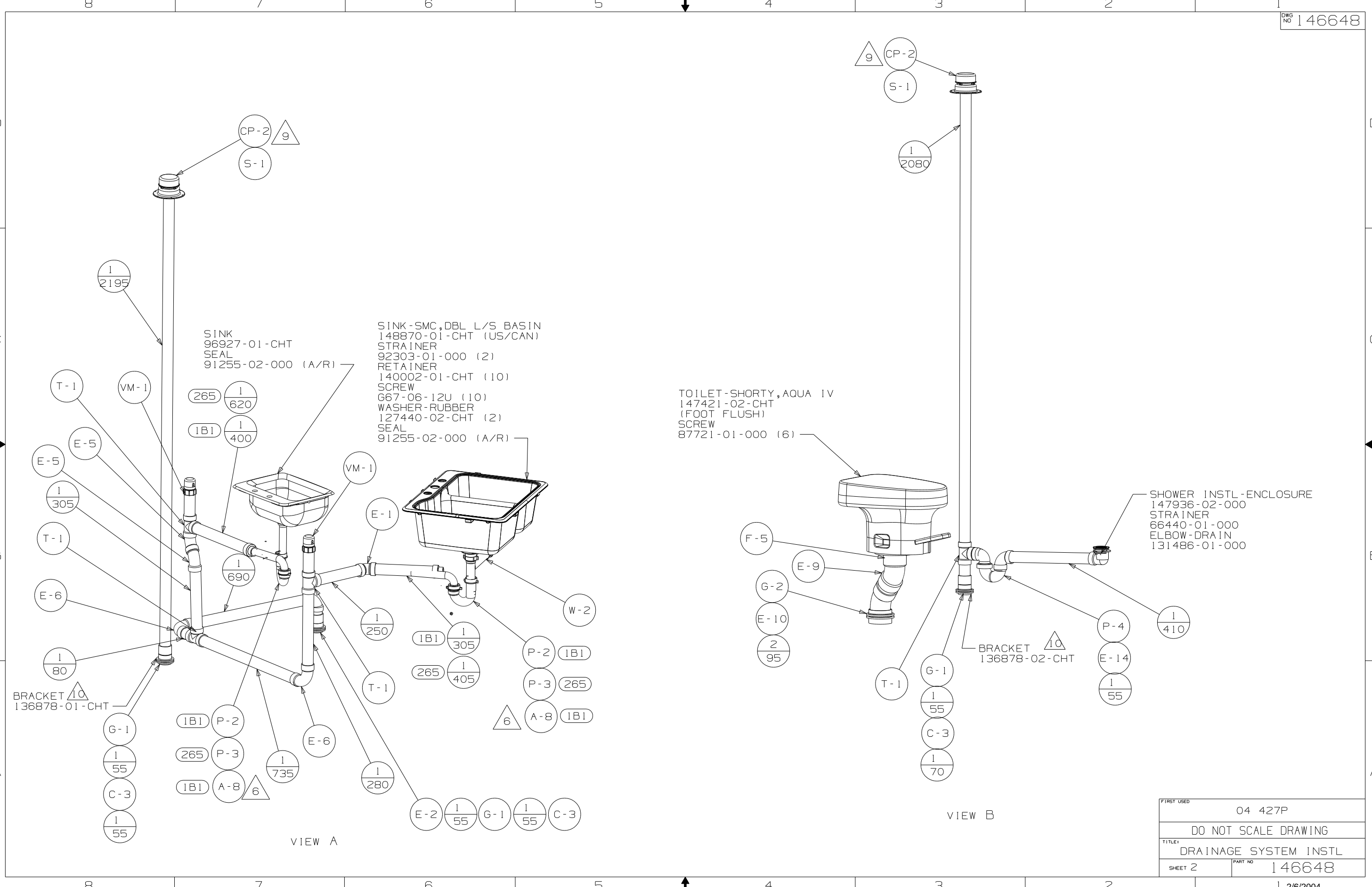
NOTES:

(B1) CODES/STANDARDS USA
 (265) CODES/STDS-CSA/CMVSS

WINNEBAGO		COPYRIGHT 2004 WINNEBAGO INDUSTRIES, INC.	
DFTR	ORIG. DATE	ALL DIMENSIONS ARE IN MILLIMETERS	
CHKR		FIRST USED	
P.E.		04 427P	
M.E.		UNSPECIFIED TOLERANCES ARE:	
DSNR		MATERIAL:	
		WHOLE DIM (X)	: 3
		ONE-PLACE (X.X)	:
		TWO-PLACE (X.XX)	:
		ANGLE	:
		THIRD ANGLE PROJECTION	
DO NOT SCALE DRAWING			
TITLE: DRAINAGE SYSTEM INSTL			
SHEET 1 OF 3	PART NO	146648	

FOR
DRAINAGE
CALLOUTS
SEE DWG NO
116229-01-000





SINK
 96927-01-CHT
 SEAL
 91255-02-000 (A/R)

SINK-SMC, DBL L/S BASIN
 148870-01-CHT (US/CAN)
 STRAINER
 92303-01-000 (2)
 RETAINER
 140002-01-CHT (10)
 SCREW
 G67-06-12U (10)
 WASHER-RUBBER
 127440-02-CHT (2)
 SEAL
 91255-02-000 (A/R)

TOILET-SHORTY, AQUA IV
 147421-02-CHT
 (FOOT FLUSH)
 SCREW
 87721-01-000 (6)

SHOWER INSTL-ENCLOSURE
 147936-02-000
 STRAINER
 66440-01-000
 ELBOW-DRAIN
 131486-01-000

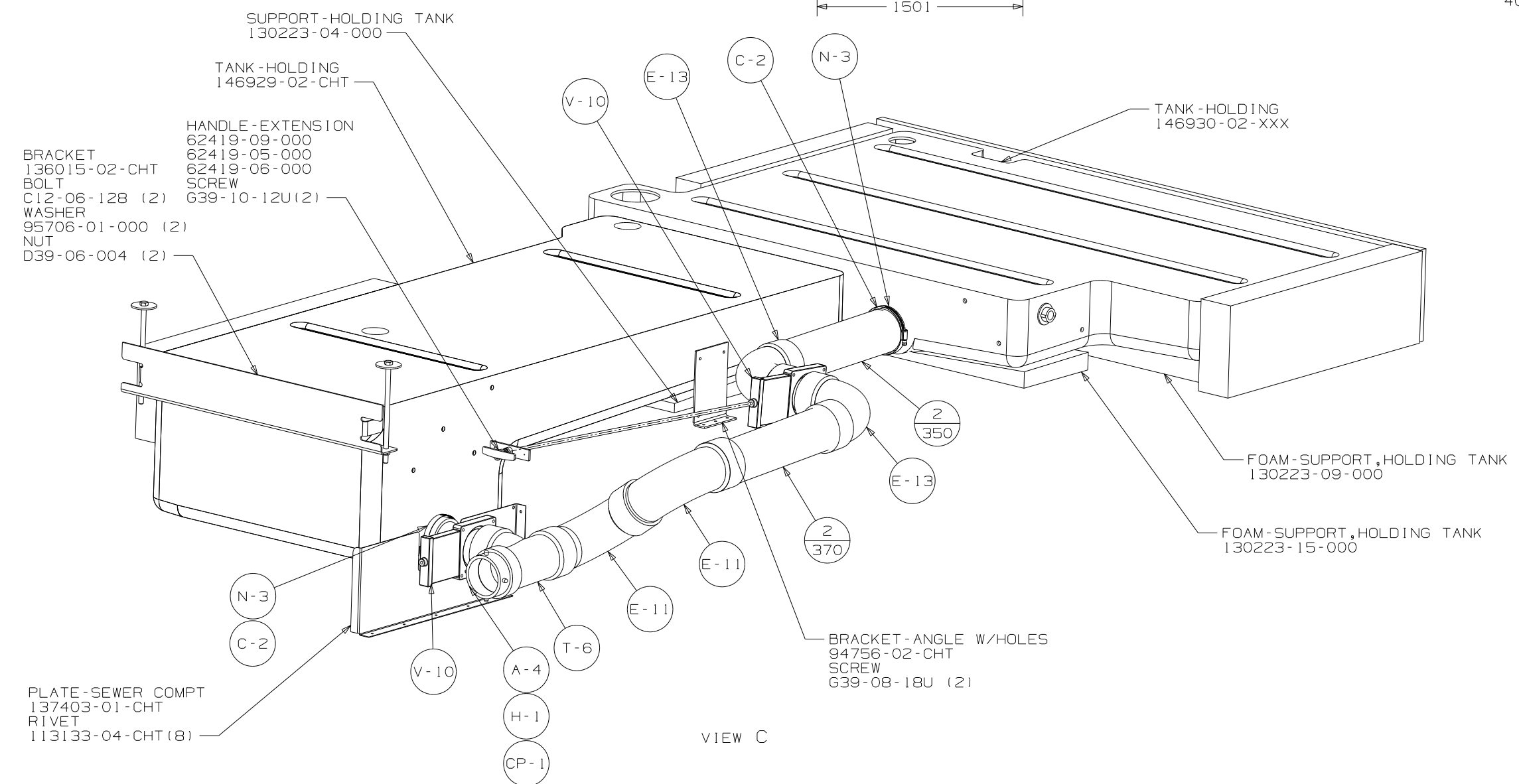
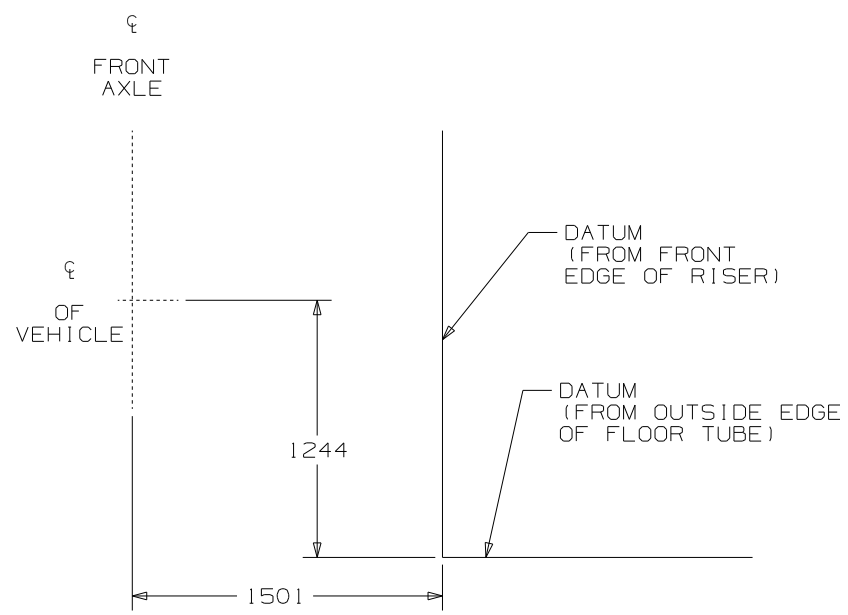
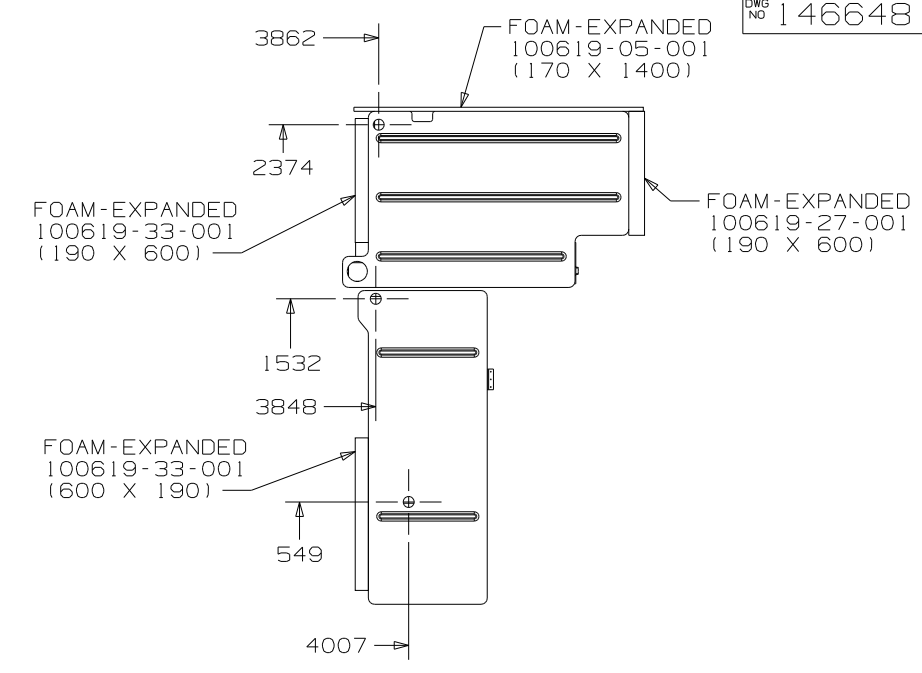
BRACKET
 136878-01-CHT

BRACKET
 136878-02-CHT

VIEW A

VIEW B

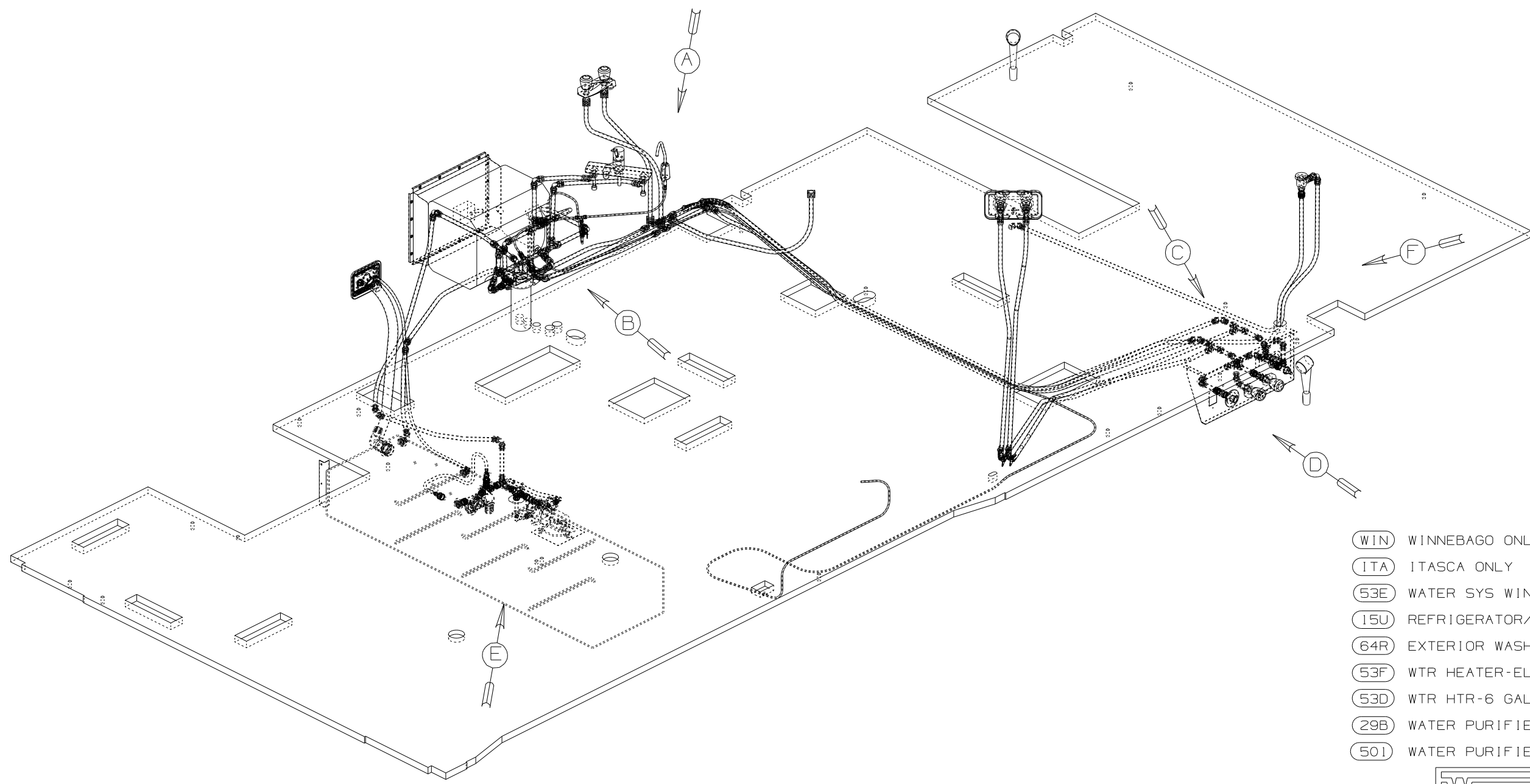
FIRST USED	04 427P
TITLE	DO NOT SCALE DRAWING
SHEET 2	DRAINAGE SYSTEM INSTL
PART NO	146648



FIRST USED	04 427P
DO NOT SCALE DRAWING	
TITLE	DRAINAGE SYSTEM INSTL
SHEET 3	PART NO 146648

DWG NO	----
146647-01	(WIN)
146647-02	(ITA)

RELEASE	REV DATE	DWG NO
A		146647
REV ZONE	REVISION RECORD	DATE
		DFTR-016



- (WIN) WINNEBAGO ONLY
- (ITA) ITASCA ONLY
- (53E) WATER SYS WINTERIZATION PKG
- (15U) REFRIGERATOR/FRZR/W/ICEMAKER
- (64R) EXTERIOR WASH STATION
- (53F) WTR HEATER-ELEC IGNITION
- (53D) WTR HTR-6 GAL/ELE/LP/MOTORAID
- (29B) WATER PURIFIER
- (50I) WATER PURIFIER W/O

- NOTES:
- 5 ADD TEFLON TAPE 10405-02-000.
 - 4 ADD TEFLON TAPE 10405-01-000.
 - 3. ALL TUBING TO BE SECURED AT 1200 INTERVALS MAXIMUM WITH CLAMP 10495-01-000 OR CLIP 9151-01-000 AND SCREW 667-10-12B.
 - 2. TUBING TO BE INSTALLED WITH SUFFICIENT SLOPE TO PROVIDE DRAINAGE TO NEAREST VALVE.
 - 1. PLASTIC FITTINGS TO BE SEALED WITH SEALANT 84456-01-000.

(X-X)
FOR WATER CALLOUTS SEE DWG NO 116230-01-000

WINNEBAGO		COPYRIGHT 2003 WINNEBAGO INDUSTRIES, INC.	
DFTR	ORIG. DATE	ALL DIMENSIONS ARE IN MILLIMETERS	
CHKR		FIRST USED	
P.E.		04 427P	
M.E.		UNSPECIFIED TOLERANCES ARE:	
DSNR		MATERIAL:	
		WHOLE DIM (X)	:
		ONE-PLACE (X.X)	:
		TWO-PLACE (X.XX)	:
		ANGLE	:
THIRD ANGLE PROJECTION		DO NOT SCALE DRAWING	
TITLE: WATER SYSTEM INSTL			
SHEET 1 OF 4		PART NO 146647	
REF: 142560 1 09/24/03			

FAUCET
75241-04-000
SCREW
G11-10-125 (4)
PANEL
78498-01-CHT
SCREW
G11-08-12U (4)
COVER
78500-01-CHT

SHOWER HEAD-W/HOSE
129390-04-CHT

FAUCET-GALLEY
141432-01-CHT
SPACER
137079-02-CHT

FAUCET
103635-01-000

FAUCET
79527-01-CHT
GASKET
91253-01-000

WATER HEATER
51391-03-000 (53F)
145541-02-000 (53D)
DOOR
78506-01-CHT
CABLE
76767-03-000
SCREW
G67-08-8U (2)
AL EXTR
2726-01-210 (2)
2726-01-212 (2)
SCREW
G39-10-169 (18)
SEALANT

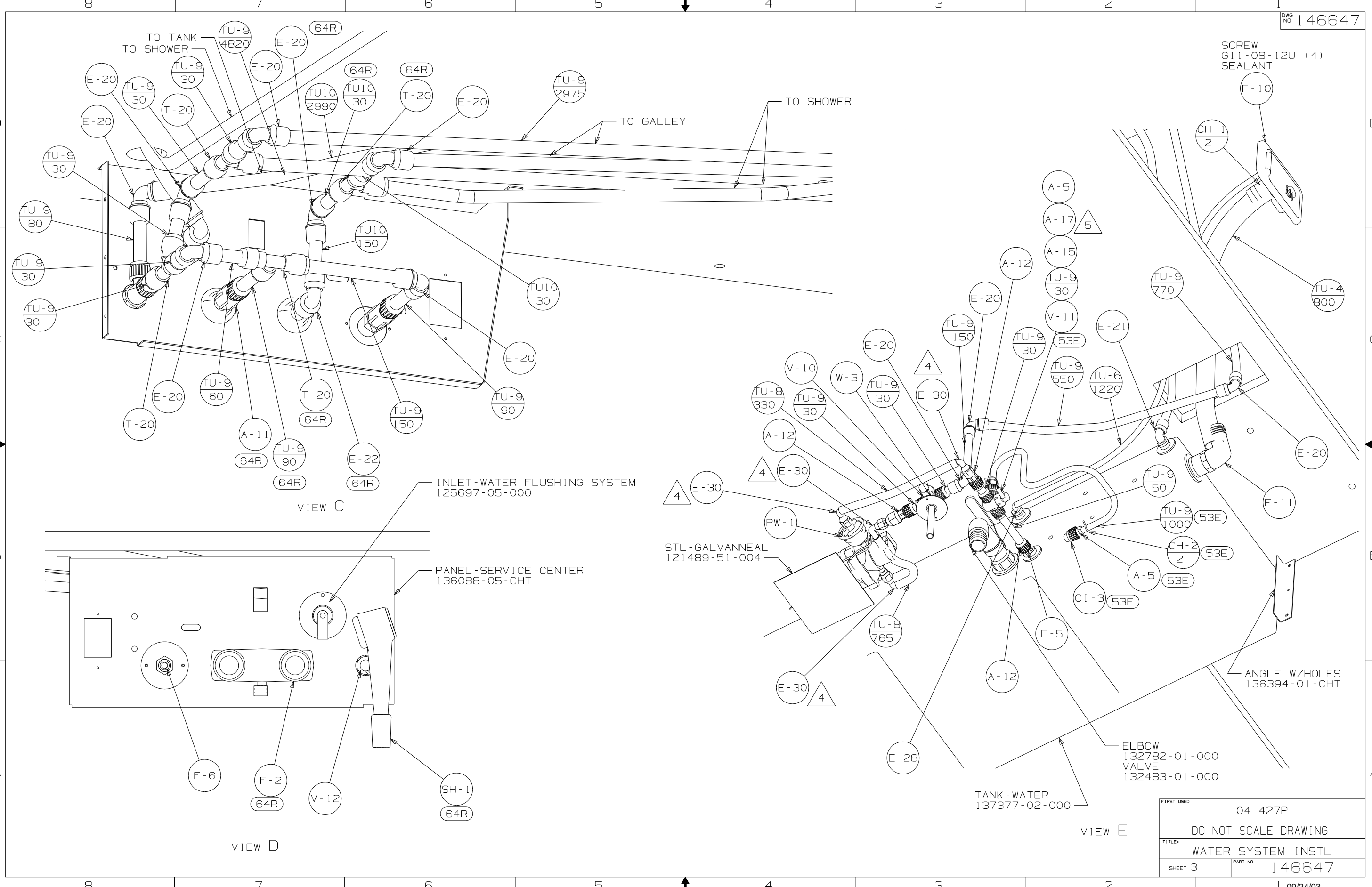
FILTER (29B)
87200-01-000
CARTRIDGE
87200-02-000
SCREW
G67-10-12U (2)

TO ICEMAKER

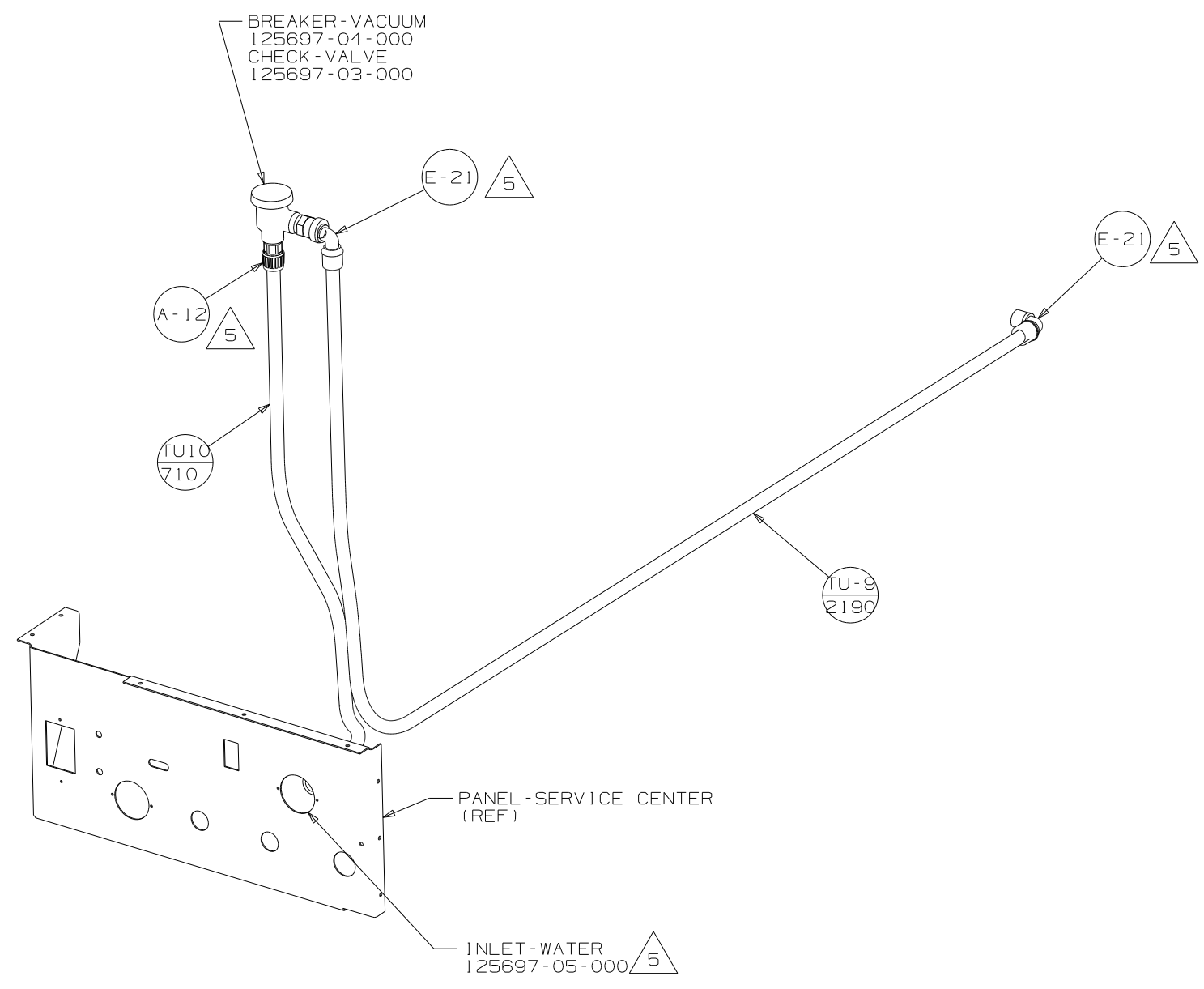
VIEW B

VIEW A

FIRST USED	04 427P
DO NOT SCALE DRAWING	
TITLE	WATER SYSTEM INSTL
SHEET 2	PART NO 146647



FIRST USED	04 427P
TITLE	DO NOT SCALE DRAWING
TITLE	WATER SYSTEM INSTL
SHEET 3	PART NO 146647



VIEW F

FIRST USED	04 427P
DO NOT SCALE DRAWING	
TITLE	WATER SYSTEM INSTL
SHEET 4	PART NO 146647