

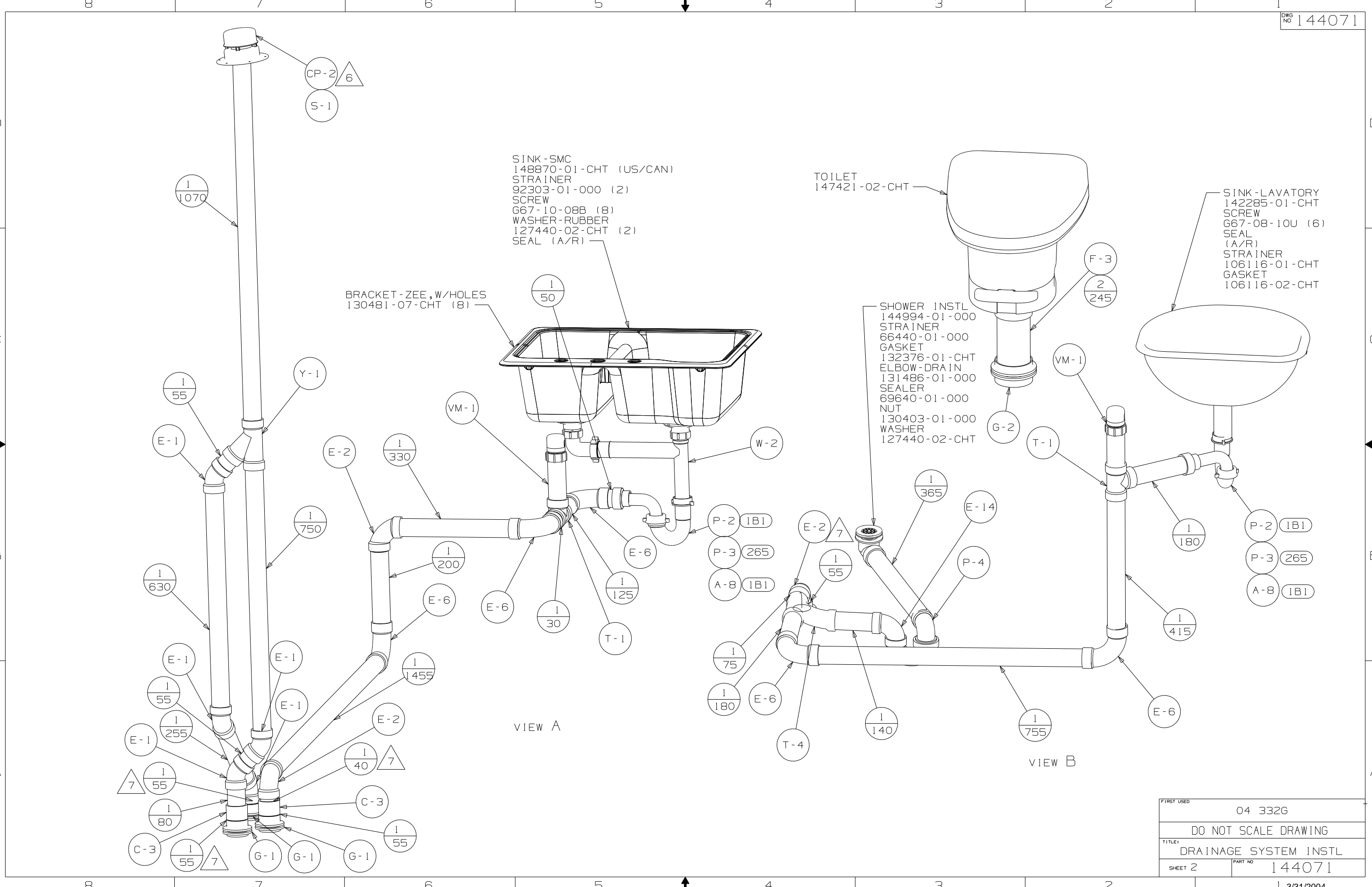
FRONT OF COACH

- NOTES:
7. SECURE VENT TO FLOOR WITH BRACKET 136878-01-CHT CLAMP 62401-02-000, SCREW G67-10-12B.
 6. VENT PIPE MUST PROJECT 51 MIN AND 64 MAX ABOVE ROOF FOR PROPER FIT AND FUNCTION.
 5. SEAL AROUND SHOWER WITH SILICONE.
 4. ALL EXTERIOR OPENINGS AROUND PIPE TO BE SEALED WITH 110744-01-000.
 3. ALL PIPE AND FITTINGS TO BE ASSEMBLED WITH SOLVENT 4020-01-000.
 2. SLOPE OF TRAP ARM MUST BE 6 PER 305 mm.
 1. SLOPE OF HORIZONTAL PIPING TO BE MIN 6 PER 305 mm.

- (B1) CODES/STANDARDS-USA
- (265) CODES/STDS-CSA/CMVSS
- (23T) DRAINAGE SYSTEM-HEATED

WINNEBAGO		COPYRIGHT 2004 WINNEBAGO INDUSTRIES, INC.	
DFTF	ORIG. DATE	ALL DIMENSIONS ARE IN MILLIMETERS	
CHKR		FIRST USED	
P.E.		04 332G	
M.E.		UNSPECIFIED TOLERANCES ARE:	
DSNR		MATERIAL:	
		WHOLE DIM (X)	: 3
		ONE-PLACE (X.X)	:
		TWO-PLACE (X.XX)	:
		ANGLE	:
		THIRD ANGLE PROJECTION	
DO NOT SCALE DRAWING			
TITLE: DRAINAGE SYSTEM INSTL			
SHEET 1 OF 3	PART NO	144071	

FOR DRAINAGE CALLOUTS SEE DWG NO 116229-01-000



SINK - SMC
 148870-01-CHT (US/CAN)
 STRAINER
 92303-01-000 (2)
 SCREW
 G67-10-08B (8)
 WASHER - RUBBER
 127440-02-CHT (2)
 SEAL (A/R)

TOILET
 147421-02-CHT

SINK - LAVATORY
 142285-01-CHT
 SCREW
 G67-08-10U (6)
 SEAL (A/R)
 STRAINER
 106116-01-CHT
 GASKET
 106116-02-CHT

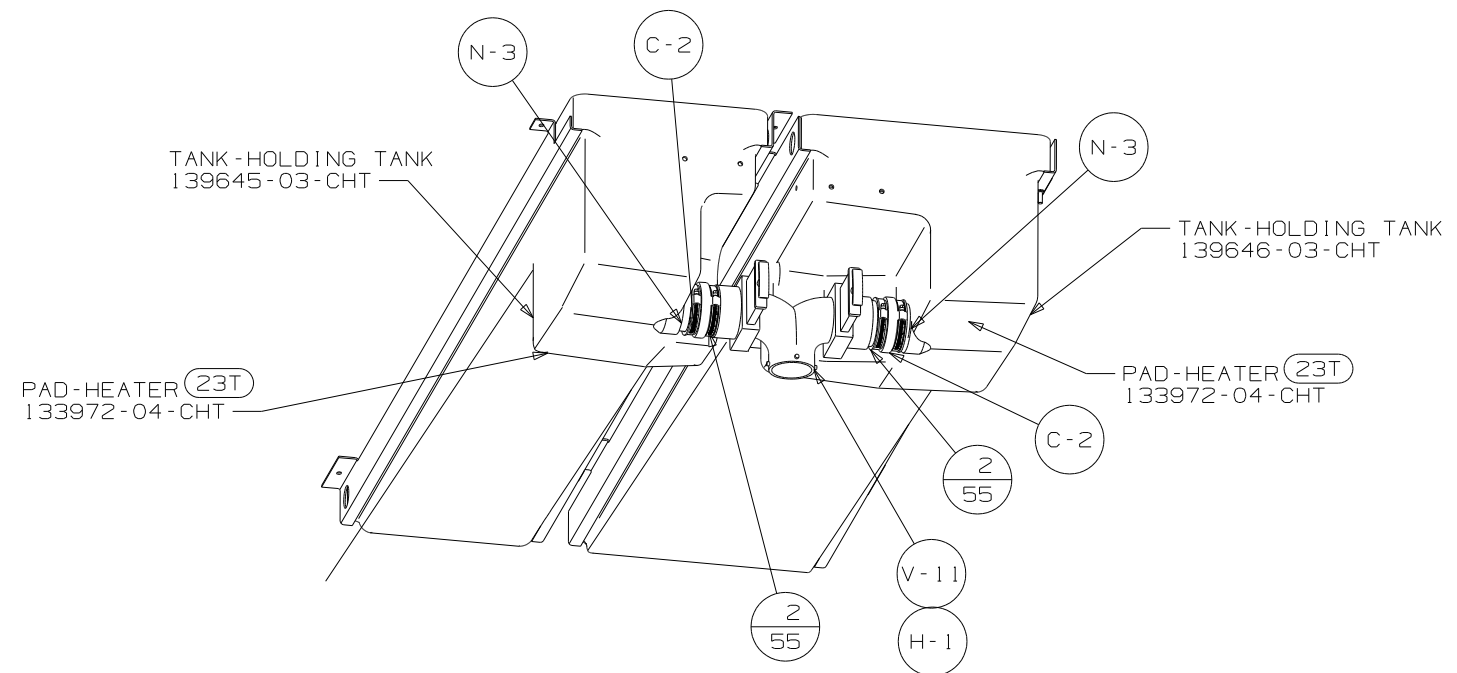
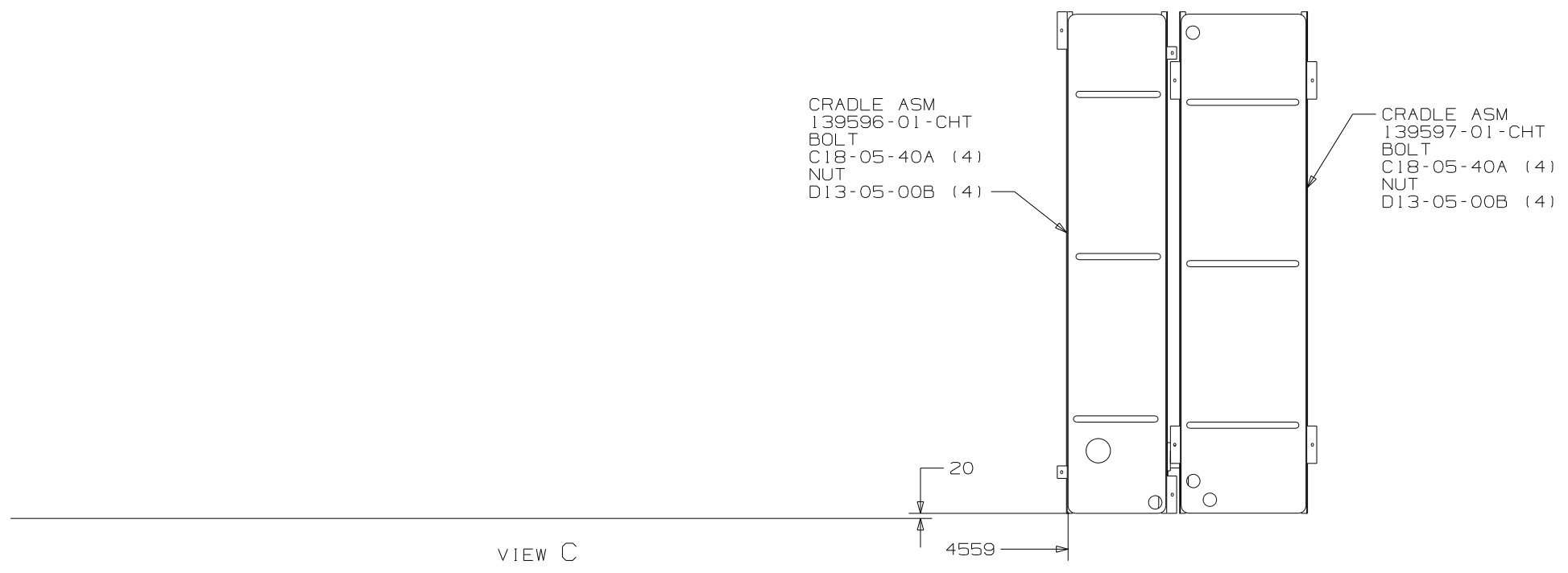
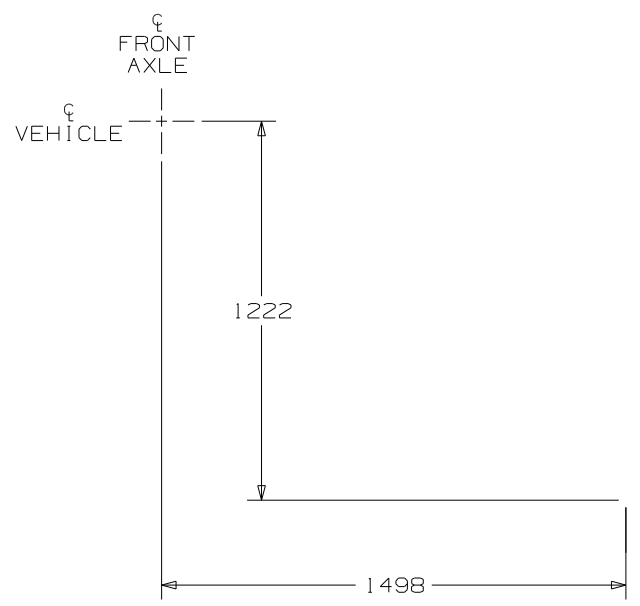
BRACKET - ZEE, W/HOLES
 130481-07-CHT (8)

SHOWER INSTL
 144994-01-000
 STRAINER
 66440-01-000
 GASKET
 132376-01-CHT
 ELBOW - DRAIN
 131486-01-000
 SEALER
 69640-01-000
 NUT
 130403-01-000
 WASHER
 127440-02-CHT

VIEW A

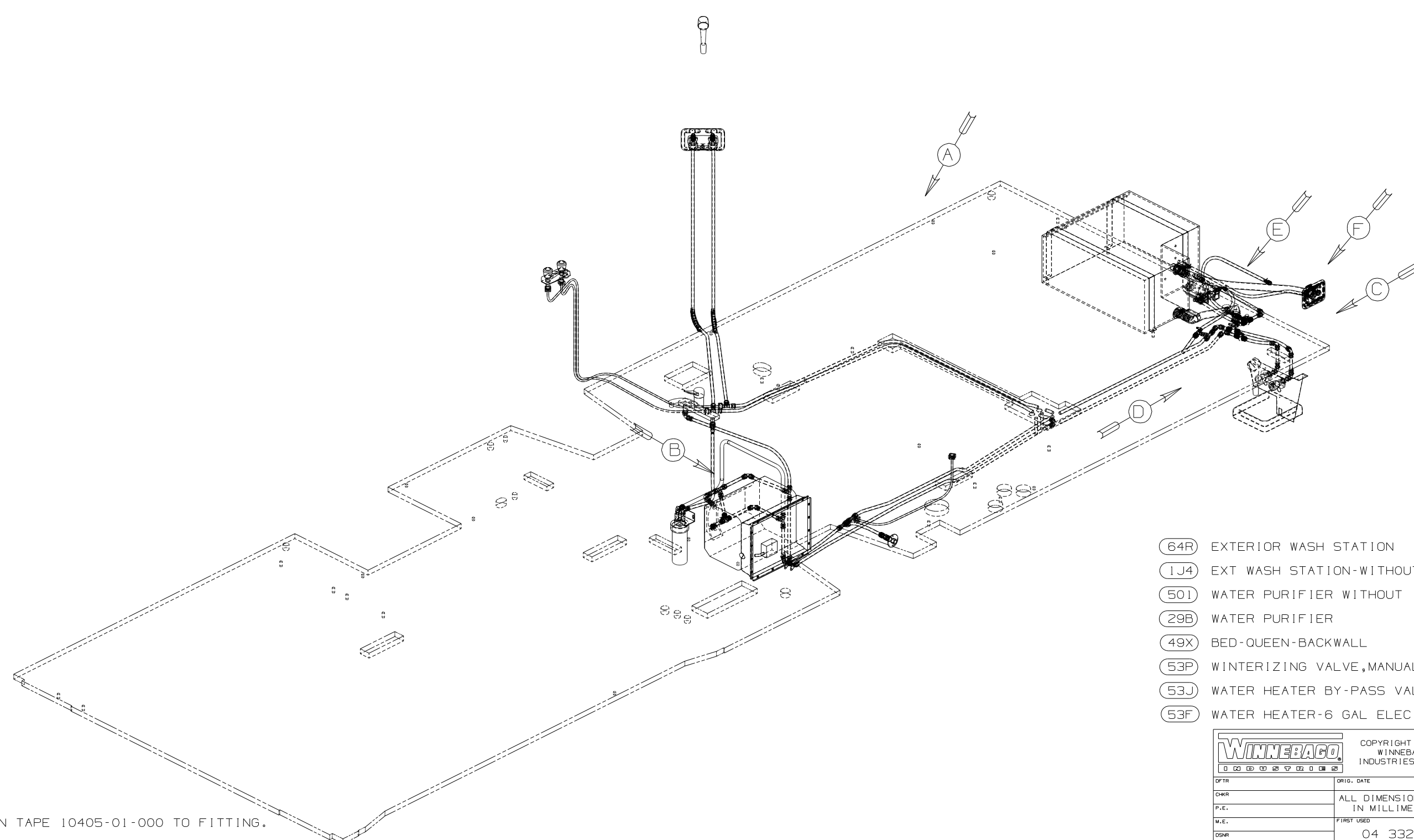
VIEW B

FIRST USED	04 332G
DO NOT SCALE DRAWING	
TITLE	DRAINAGE SYSTEM INSTL
SHEET 2	PART NO 144071



FIRST USED	04 332G
DO NOT SCALE DRAWING	
TITLE	DRAINAGE SYSTEM INSTL
SHEET 3	PART NO 144071

8 7 6 5 4 3 2



- (64R) EXTERIOR WASH STATION
- (1J4) EXT WASH STATION-WITHOUT
- (501) WATER PURIFIER WITHOUT
- (29B) WATER PURIFIER
- (49X) BED-QUEEN-BACKWALL
- (53P) WINTERIZING VALVE, MANUAL
- (53J) WATER HEATER BY-PASS VALVE
- (53F) WATER HEATER-6 GAL ELEC IGN

- 5 ALL TEFLON TAPE 10405-01-000 TO FITTING.
- 4 ADD TEFLON TAPE 10405-02-000 TO FITTING.

- 3. ALL TUBING TO BE SECURED AT 1200 INTERVALS MAXIMUM WITH CLAMP 10495-01-000 OR CLIP 9151-01-000 AND SCREW G67-10-12B.
- 2. TUBING TO BE INSTALLED WITH SUFFICIENT SLOPE TO PROVIDE DRAINAGE TO NEAREST VALVE.
- 1. PLASTIC FITTINGS TO BE SEALED WITH SEALANT 84456-01-000.

NOTES:

(X-X)
FOR WATER CALLOUTS SEE DWG NO 116230-01-000

WINNEBAGO		COPYRIGHT 2003 WINNEBAGO INDUSTRIES, INC.	
DFTR	ORIG. DATE	ALL DIMENSIONS ARE IN MILLIMETERS	
CHKR		FIRST USED	
P.E.		04 332G	
M.E.		UNSPECIFIED TOLERANCES ARE:	
DSNR		MATERIAL:	
		WHOLE DIM (X)	: 3
		ONE-PLACE (X.X)	:
		TWO-PLACE (X.XX)	:
		ANGLE	:
THIRD ANGLE PROJECTION		DO NOT SCALE DRAWING	
TITLE: WATER SYSTEM INSTL			
SHEET 1 OF 4	PART NO	144092	
REF:141102 1 10/23/2003			

8 7 6 5 4 3 2

- WATER HEATER
51391-03-000
- DOOR
78506-01-CHT (53F)
- AL EXTR
2726-01-210 (2)
2726-01-212 (2)
- SCREW
639-10-169 (18)
- SEALANT
CABLE
76767-03-000
- SCREW
611-06-08B (2)

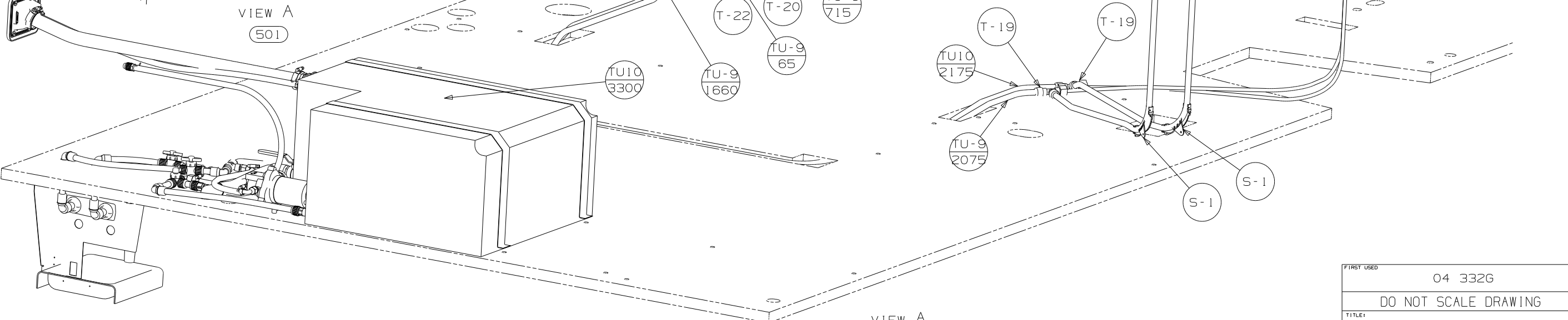
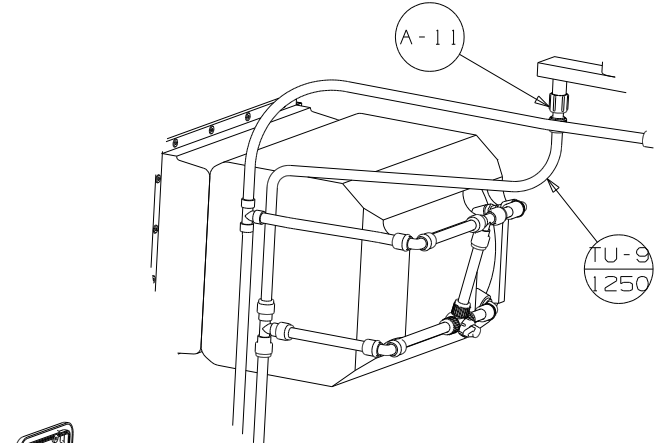
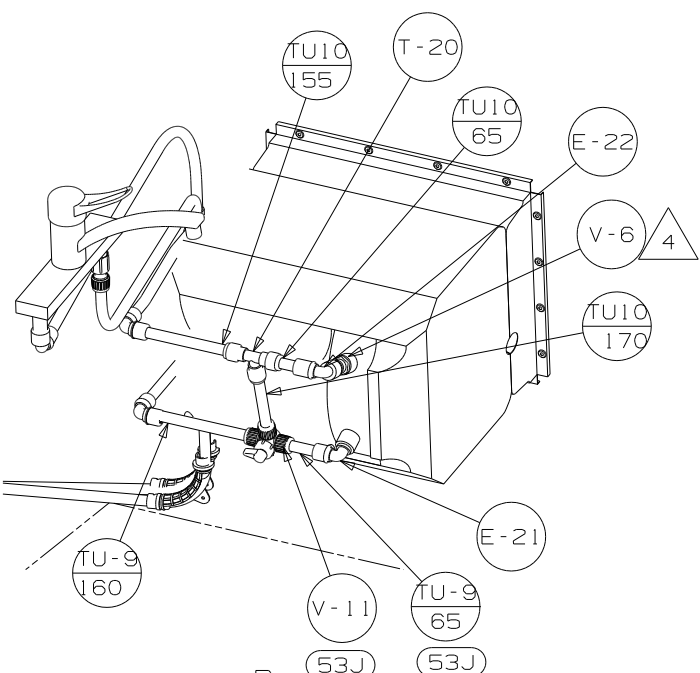
- FAUCET
104114-05-CHT
- SPACER-FAUCET
137079-02-CHT

- FAUCET-SHOWER
79563-03-CHT
- PANEL
78498-01-CHT
- SCREW
611-08-12B (4)
- COVER
78500-01-CHT (4)

- FAUCET-LAVATORY
79527-01-CHT
- GASKET
91253-01-CHT

- FILTER (29B)
87200-01-000
- CARTRIDGE
87200-02-000
- SCREW
667-10-12U (2)

- SCREW
668-06-10U (2)
- SEALANT



FIRST USED	04 332G
DO NOT SCALE DRAWING	
TITLE:	WATER SYSTEM INSTL
SHEET 2	PART NO 144092

- TANK ASM-WATER, 31 GAL
64214-21-000
- STRAP-TANK, WATER
118994-03-CHT
- 118994-04-CHT
- BOLT
- C18-05-40A (4)
- NUT
- D39-05-00B (4)
- WASHER
- E13-16-00B (4)

VALVE
132483-01-000
ELBOW
132781-01-000

ELBOW
132484-01-000

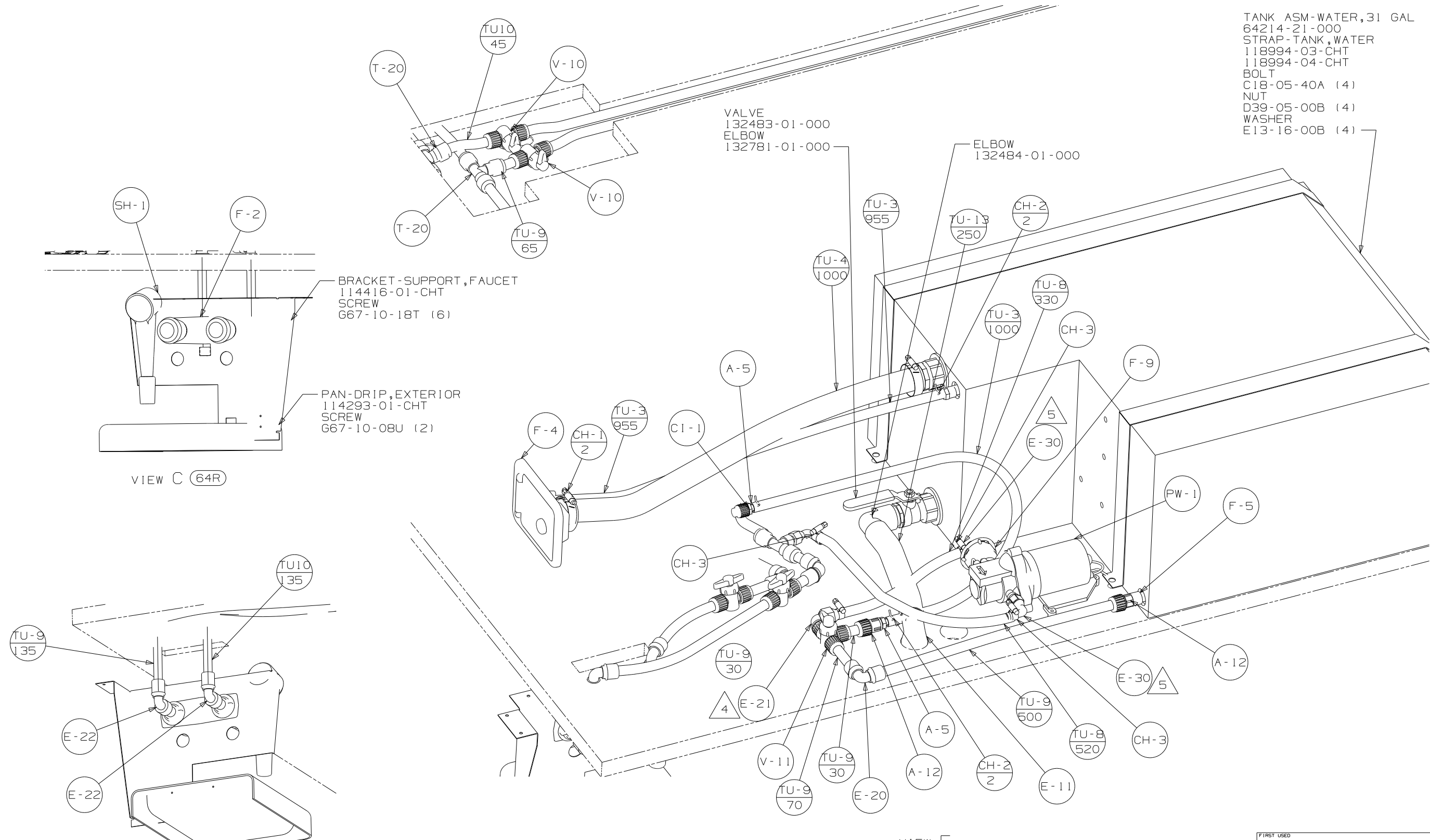
BRACKET-SUPPORT, FAUCET
114416-01-CHT
SCREW
G67-10-18T (6)

PAN-DRIP, EXTERIOR
114293-01-CHT
SCREW
G67-10-08U (2)

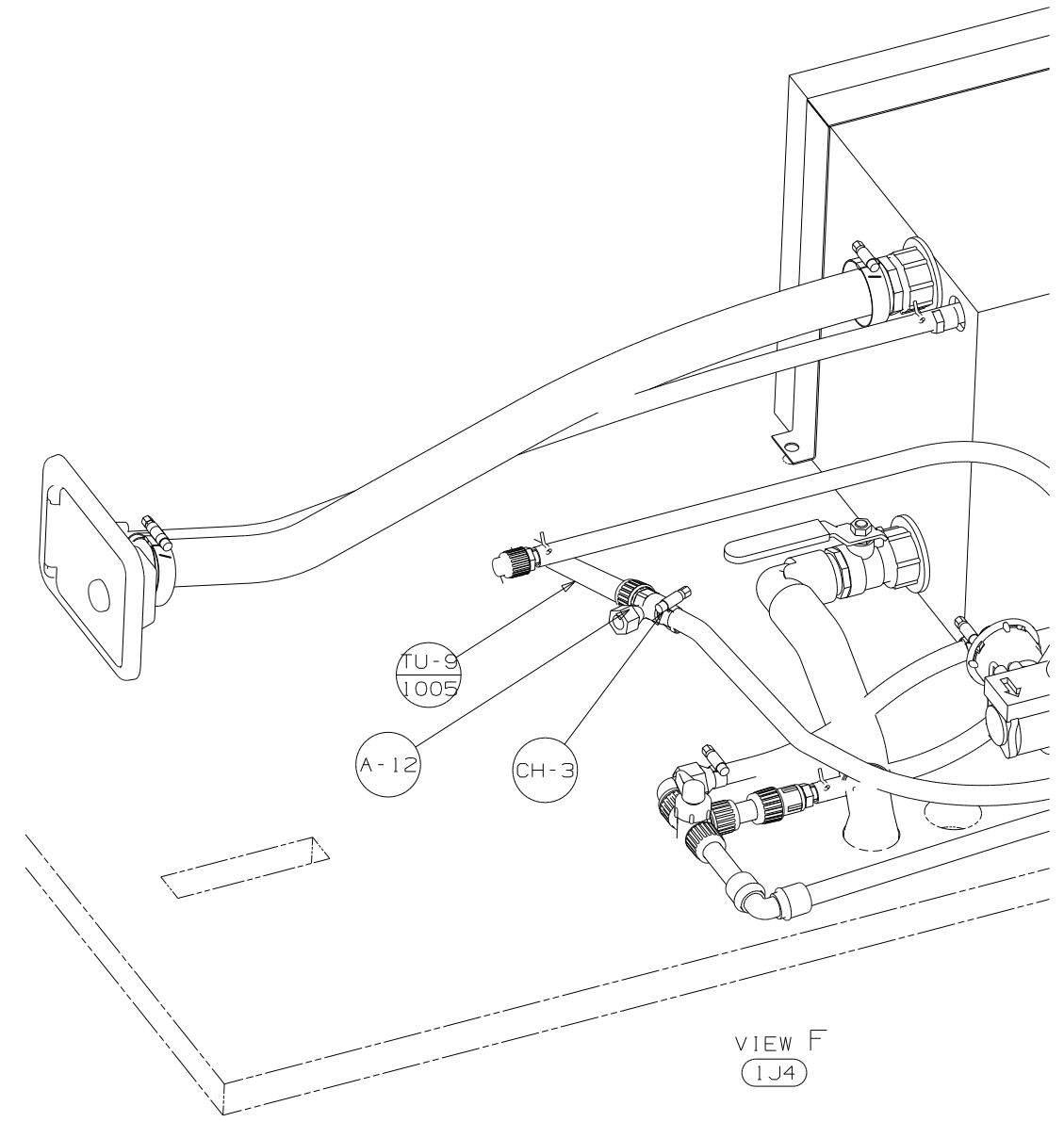
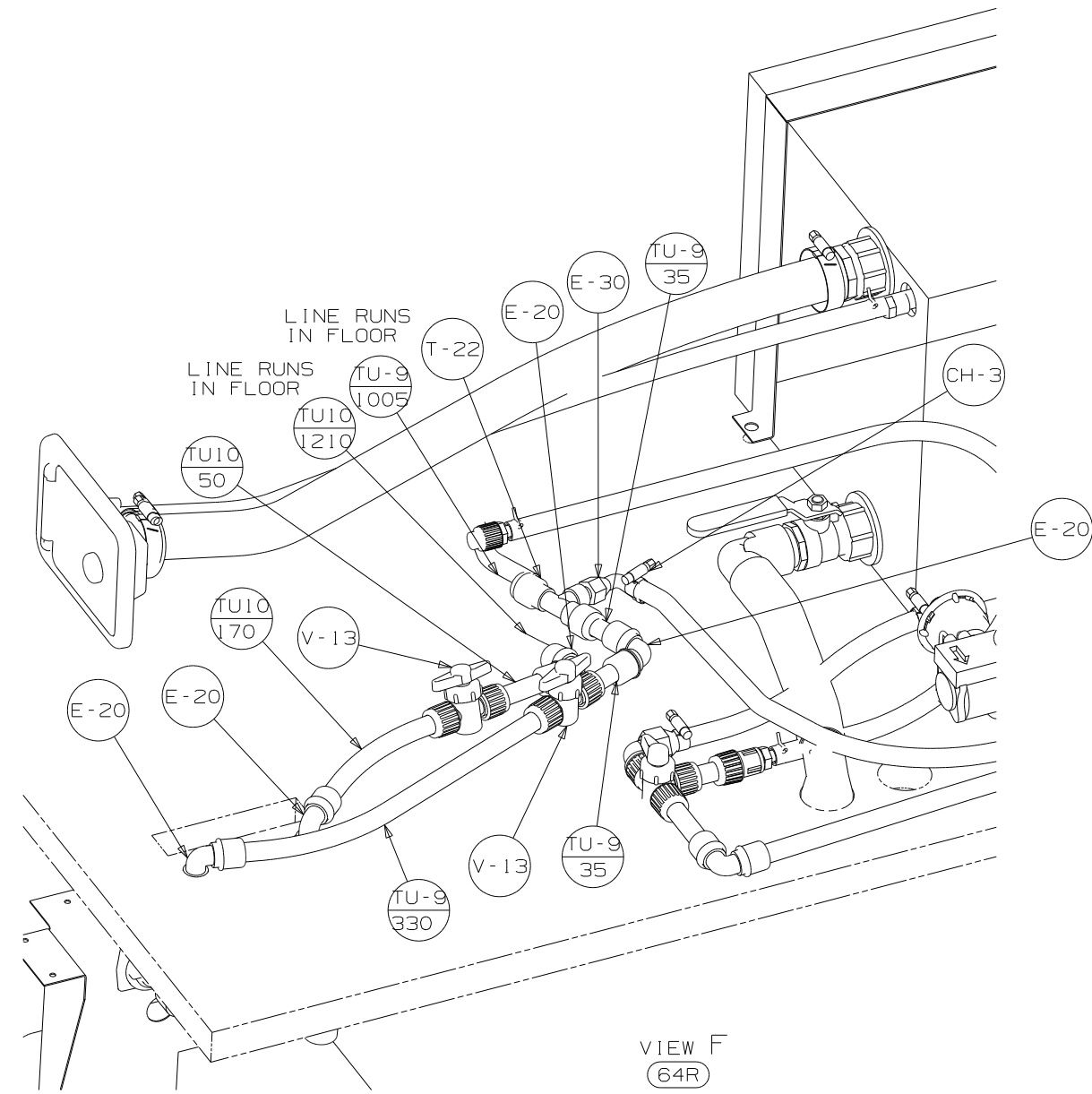
VIEW C (64R)

VIEW D (64R)

VIEW E



FIRST USED	04 332G
TITLE	DO NOT SCALE DRAWING
SHEET 3	PART NO 144092



FIRST USED	04 332G
TITLE	DO NOT SCALE DRAWING
	WATER SYSTEM INSTL
SHEET 4	PART NO 144092