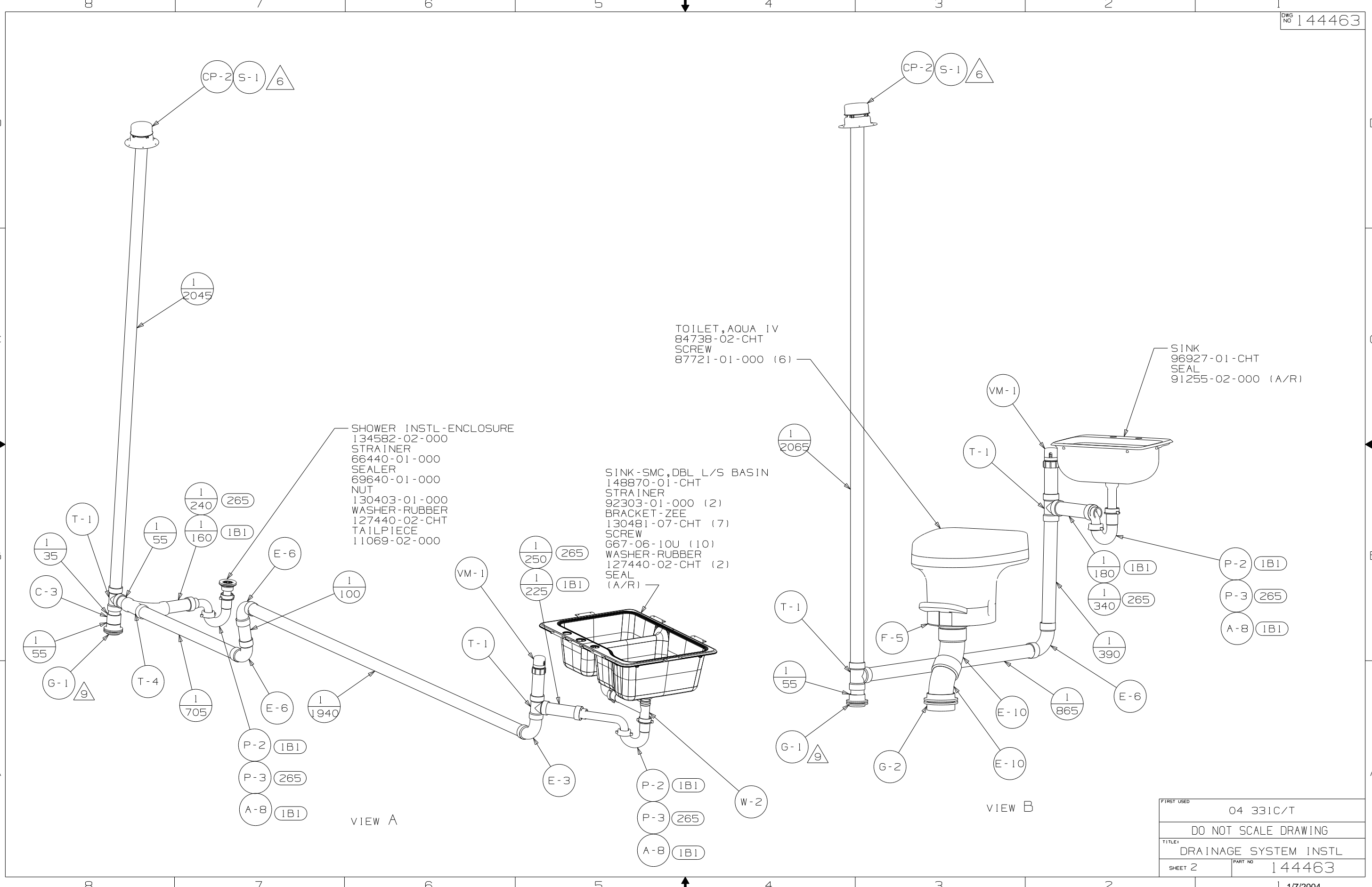


- NOTES:
9. SECURE VENT TUBES TO FLOOR WITH CLAMP 62401-02-000 (2) SCREW G67-10-12B (2) AND BRACKET 136878-01-CHT (2).
 8. WRAP PAD AROUND ON THE SIDES OF THE TANK.
 7. SEE WIRING INSTL-BODY, 12V FOR ELECTRICAL CONNECTION.
 6. VENT PIPE MUST PROJECT 51 MIN AND 64 MAX ABOVE ROOF FOR PROPER FIT AND FUNCTION.
 5. SEAL AROUND SHOWER WITH SILICONE.
 4. ALL EXTERIOR OPENINGS AROUND PIPE TO BE SEALED WITH 131264-03.
 3. ALL PIPE AND FITTINGS TO BE ASSEMBLED WITH SOLVENT 4020-01-000.
 2. SLOPE OF TRAP ARM MUST BE 6 PER 305 mm.
 1. SLOPE OF HORIZONTAL PIPING TO BE MIN 3 PER 305 mm.

- (1B1) CODES/STANDARDS-USA
- (265) CODES/STANDARDS-CSA/CMVSS
- (23T) DRAINAGE SYSTEM-HEATED

WINNEBAGO		COPYRIGHT 2004 WINNEBAGO INDUSTRIES, INC.	
DFT	ORIG. DATE	ALL DIMENSIONS ARE IN MILLIMETERS	
CHKR			
P.E.			
M.E.	FIRST USED		
DSNR		04 331C/T	
UNSPECIFIED TOLERANCES ARE:		MATERIAL:	
WHOLE DIM (X)	: 7		
ONE-PLACE (X.X)	:		
TWO-PLACE (X.XX)	:		
ANGLE	:		
THIRD ANGLE PROJECTION			
DO NOT SCALE DRAWING			
TITLE: DRAINAGE SYSTEM INSTL			
SHEET 1 OF 3	PART NO	144463	

FOR
DRAINAGE
CALLOUTS
SEE DWG NO
116229-01-000



TOILET, AQUA IV
 84738-02-CHT
 SCREW
 87721-01-000 (6)

SINK
 96927-01-CHT
 SEAL
 91255-02-000 (A/R)

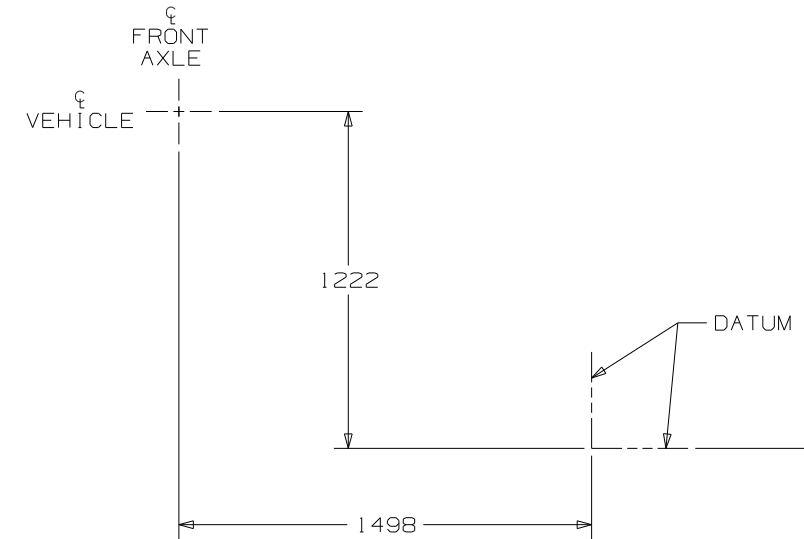
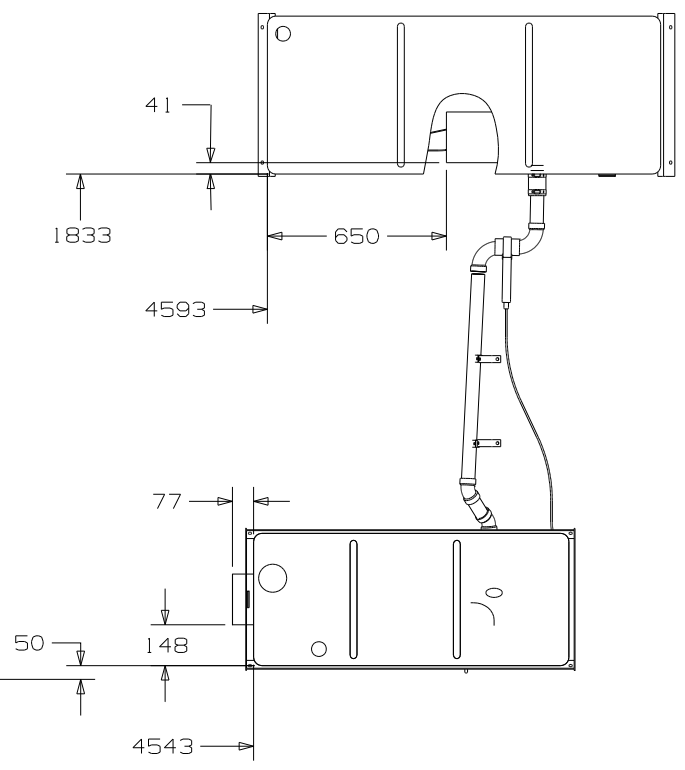
SHOWER INSTL-ENCLOSURE
 134582-02-000
 STRAINER
 66440-01-000
 SEALER
 69640-01-000
 NUT
 130403-01-000
 WASHER-RUBBER
 127440-02-CHT
 TAILPIECE
 11069-02-000

SINK-SMC, DBL L/S BASIN
 148870-01-CHT
 STRAINER
 92303-01-000 (2)
 BRACKET-ZEE
 130481-07-CHT (7)
 SCREW
 G67-06-10U (10)
 WASHER-RUBBER
 127440-02-CHT (2)
 SEAL
 (A/R)

VIEW A

VIEW B

FIRST USED	04 331C/T
TITLE	DO NOT SCALE DRAWING
SHEET 2	PART NO 144463
1 17/2004	



VIEW C

- CRADLE ASM
141451-01-CHT
BOLT
65115-03-000 (4)
NUT
D39-05-00B (4)
WASHER
E13-16-00B (4)

- HANGER-STRAP
140220-04-CHT (2)
BOLT
C18-05-40A (2)
NUT
D39-005-00B (2)

- CABLE - VALVE, REMOTE
62421-05-000

- HOLDER-RING
141443-02-CHT (2)
BOLT
C12-05-16B (2)
NUT
D12-05-00B (2)
NUT
D39-05-00B (3)
BOLT
C18-05-40A (3)

- PAD-HEATER, ELBOW
133972-03-000

- CRADLE ASM
137609-02-CHT
BOLT
C18-05-40A (4)
NUT
D39-05-00B (4)
WASHER
E13-16-00B (4)

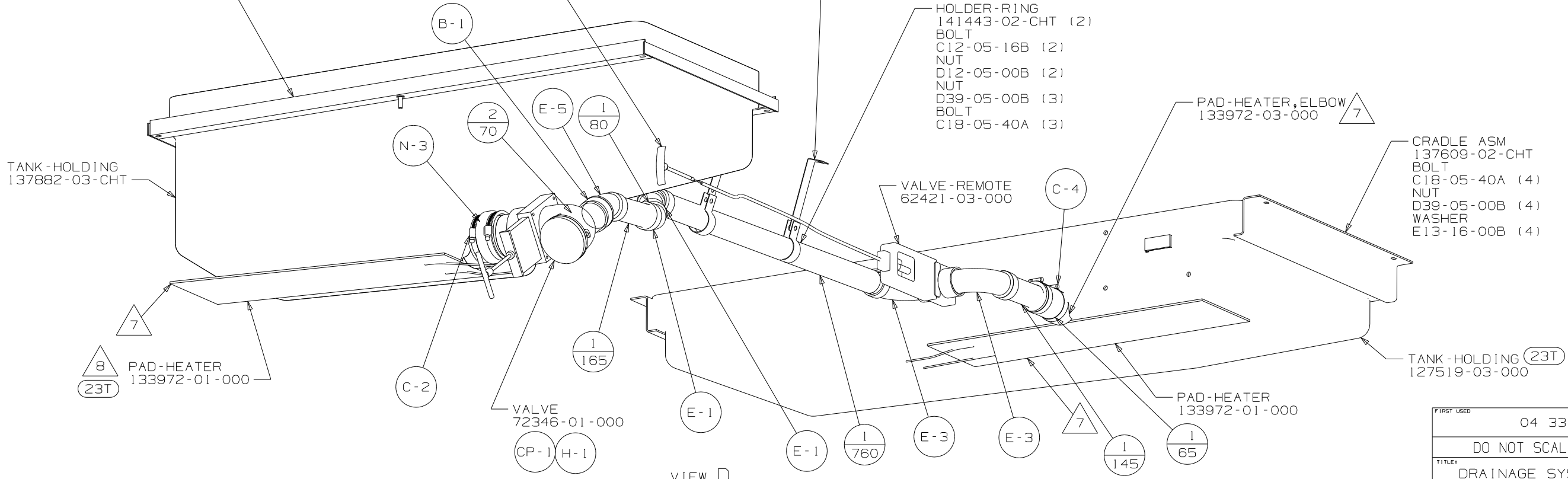
- TANK - HOLDING
137882-03-CHT

- TANK - HOLDING (23T)
127519-03-000

- PAD-HEATER
133972-01-000

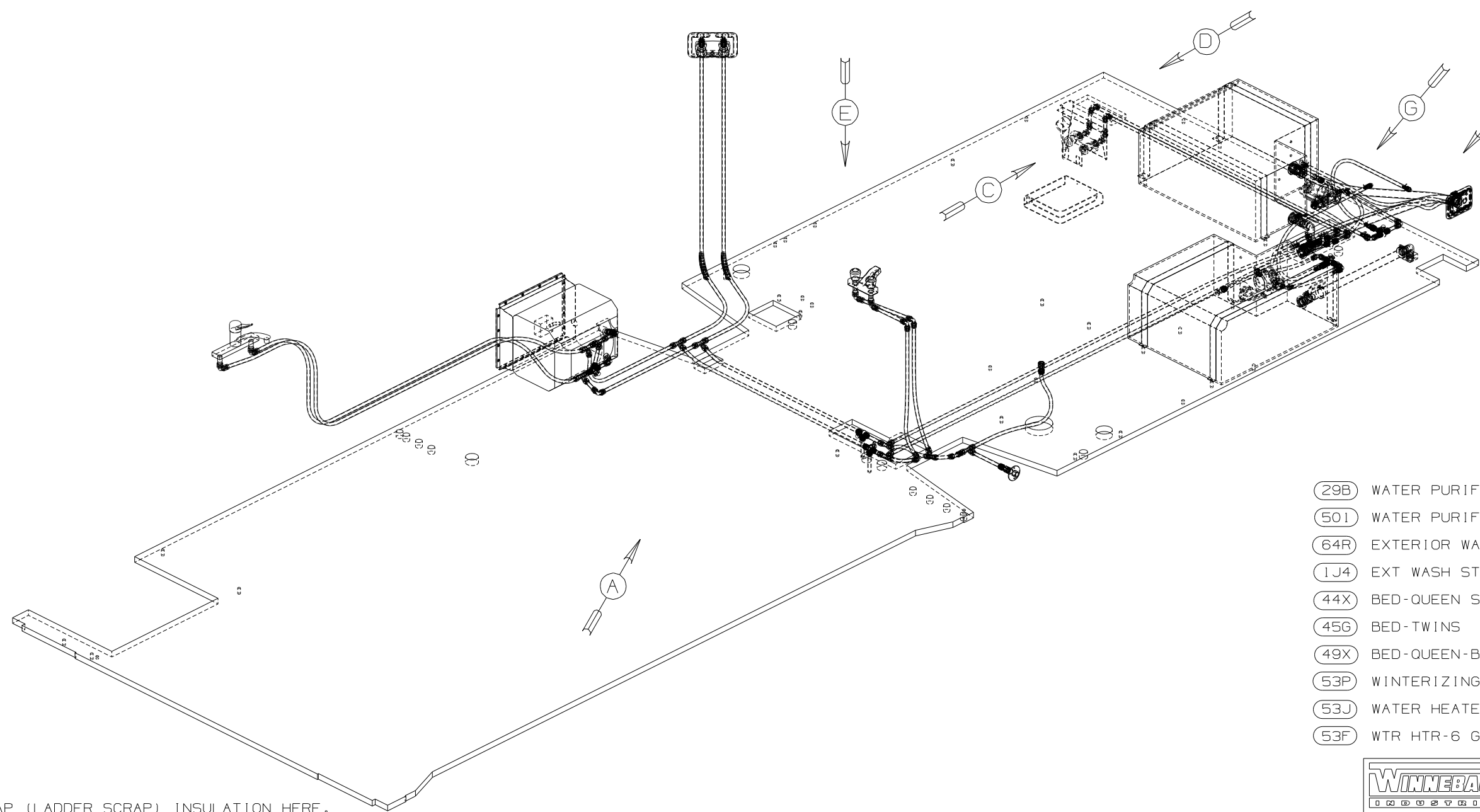
- PAD-HEATER
133972-01-000

- VALVE
72346-01-000



VIEW D

FIRST USED	04 331C/T
DO NOT SCALE DRAWING	
TITLE	DRAINAGE SYSTEM INSTL
SHEET 3	PART NO 144463

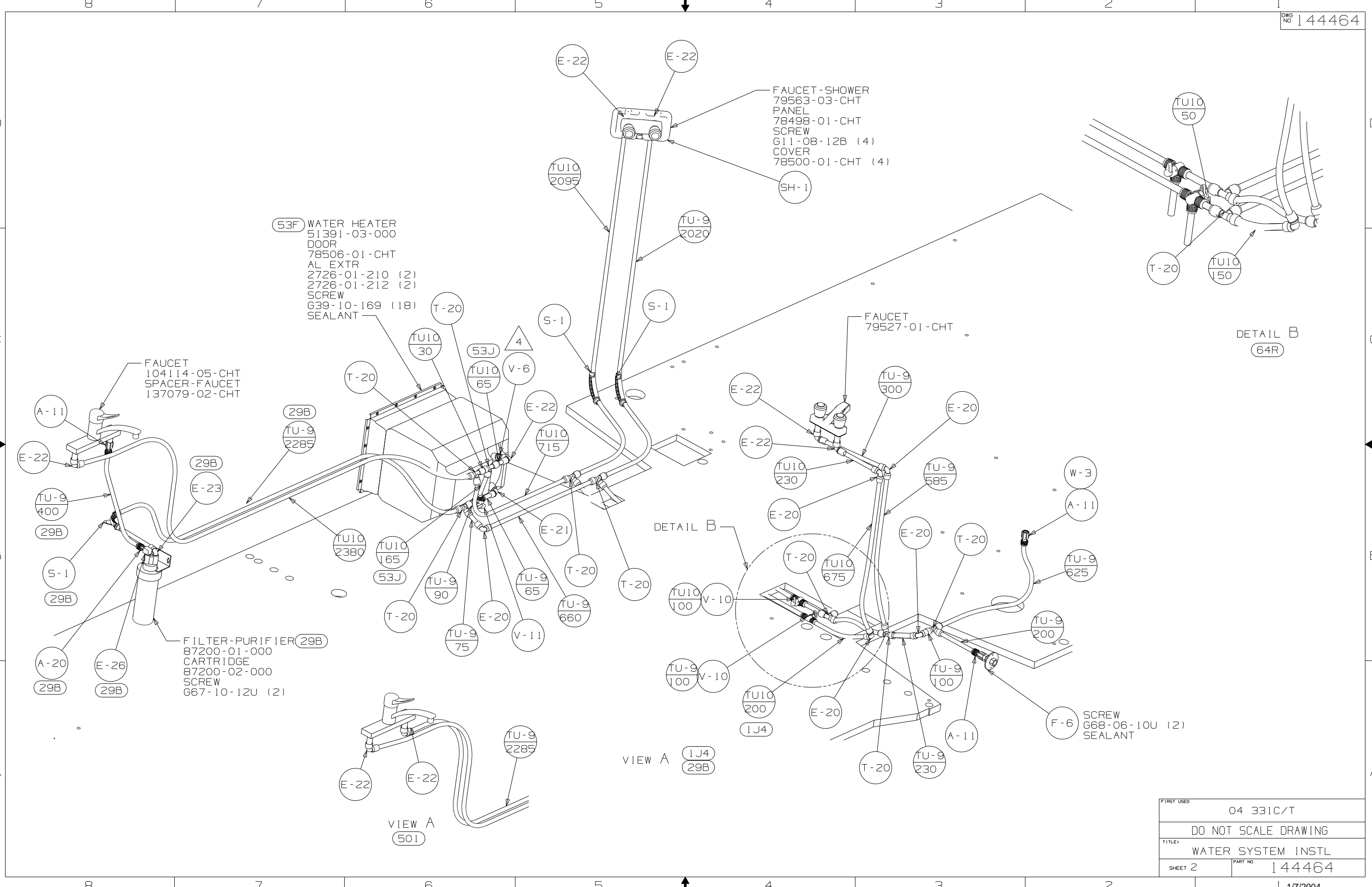


- (29B) WATER PURIFIER
- (50I) WATER PURIFIER-W/O
- (64R) EXTERIOR WASH STATION
- (1J4) EXT WASH STATION-WITHOUT
- (44X) BED-QUEEN SIDEWALL
- (45G) BED-TWINS
- (49X) BED-QUEEN-BACKWALL
- (53P) WINTERIZING VALVE, MANUAL
- (53J) WATER HEATER BY-PASS-VALVE
- (53F) WTR HTR-6 GAL ELEC IGN

- NOTES:
- 7. ADD PIPE WRAP (LADDER SCRAP) INSULATION HERE.
 - 6. ANTI-RATTLE CLAMP 10495-01-000, SCREW G67-10-12B.
 - 5. ADD TEFLON TAPE 10405-01-000 TO FITTING.
 - 4. ADD TEFLON TAPE 10405-02-000 TO FITTING.
3. ALL TUBING TO BE SECURED AT 1200 INTERVALS MAXIMUM WITH CLAMP 10495-01-000 OR CLIP 9151-01-000 AND SCRWE G67-10-12B.
 2. TUBING TO BE INSTALLED WITH SUFFICIENT SLOPE TO PROVIDE DRAINAGE TO NEAREST VALVE.
 1. PLASTIC FITTINGS TO BE SEALED WITH SEALANT 94456-01-000.

WINNEBAGO		COPYRIGHT 2004 WINNEBAGO INDUSTRIES, INC.	
DFTR	ORIG. DATE	ALL DIMENSIONS ARE IN MILLIMETERS	
CHKR		FIRST USED	
P.E.		04 331C/T	
M.E.			
DSNR			
UNSPECIFIED TOLERANCES ARE:		MATERIAL:	
WHOLE DIM (X)	: 3		
ONE-PLACE (X.X)	:		
TWO-PLACE (X.XX)	:		
ANGLE	:		
THIRD ANGLE PROJECTION			
DO NOT SCALE DRAWING			
TITLE: WATER SYSTEM INSTL			
SHEET 1 OF 5	PART NO	144464	
REF:141102 1/17/2004			

(X-X)
FOR
WATER
CALLOUTS
SEE DWG NO
116230-01-000



(53F) WATER HEATER
 51391-03-000
 DOOR
 78506-01-CHT
 AL EXTR
 2726-01-210 (2)
 2726-01-212 (2)
 SCREW
 639-10-169 (18)
 SEALANT

FAUCET
 104114-05-CHT
 SPACER-FAUCET
 137079-02-CHT

FILTER-PURIFIER (29B)
 87200-01-000
 CARTRIDGE
 87200-02-000
 SCREW
 667-10-12U (2)

FAUCET-SHOWER
 79563-03-CHT
 PANEL
 78498-01-CHT
 SCREW
 611-08-12B (4)
 COVER
 78500-01-CHT (4)

FAUCET
 79527-01-CHT

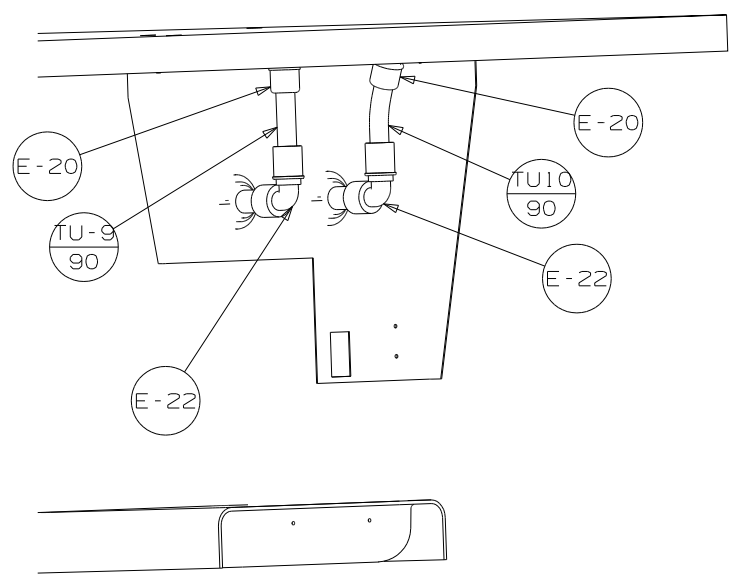
DETAIL B
 (64R)

VIEW A
 (1J4)
 (29B)

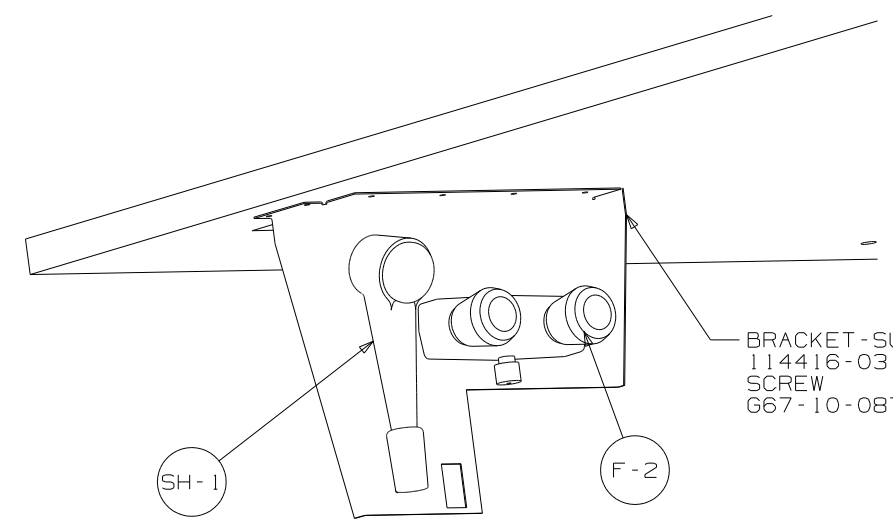
VIEW A
 (501)

SCREW
 668-06-10U (2)
 SEALANT

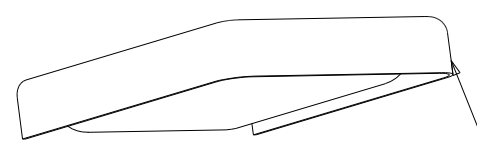
FIRST USED	04 331C/T
TITLE:	DO NOT SCALE DRAWING
TITLE:	WATER SYSTEM INSTL
SHEET 2	PART NO 144464



VIEW D
64R

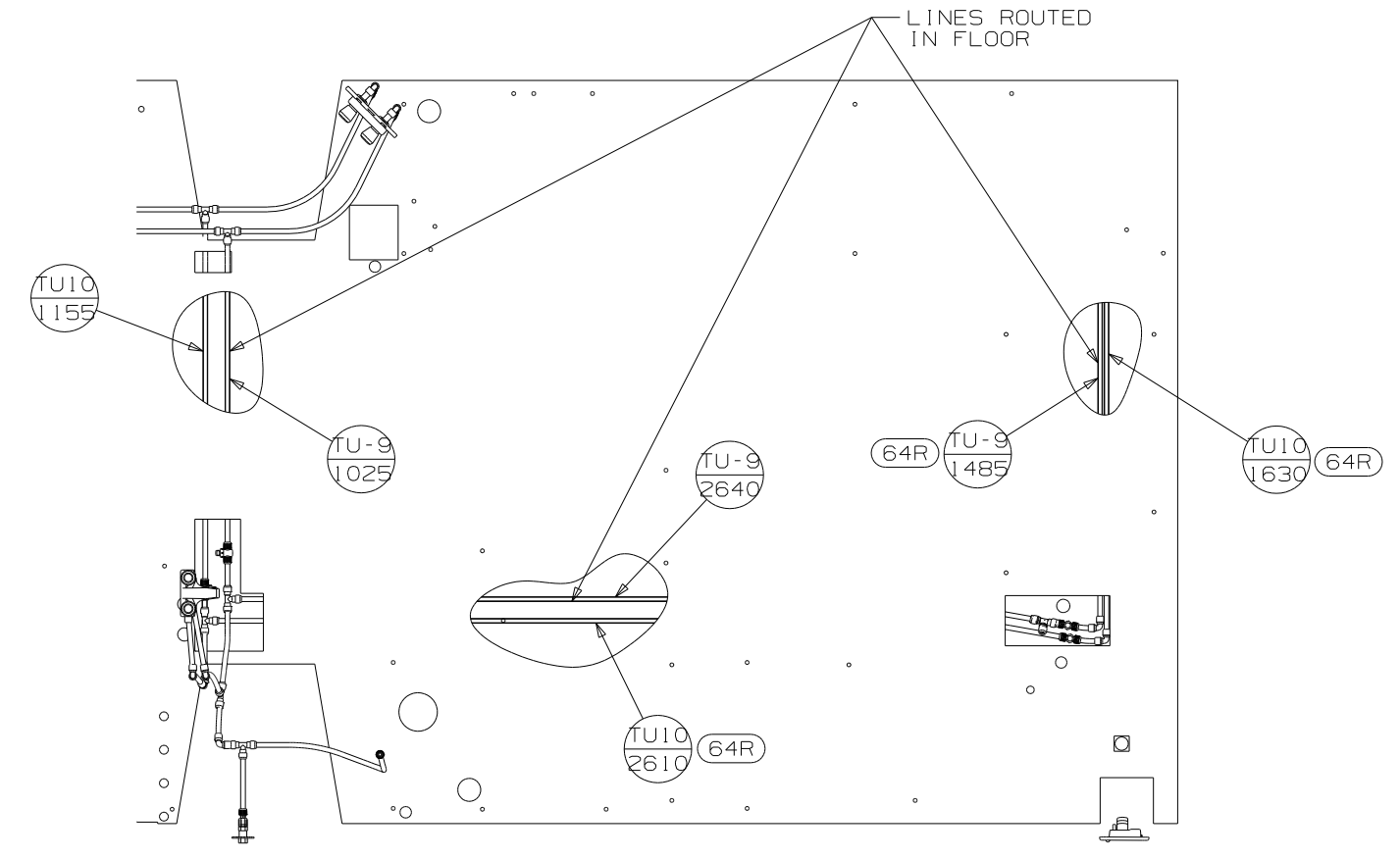


BRACKET-SUPPORT, FAUCET
114416-03-CHT
SCREW
G67-10-08T (6)



VIEW C
64R

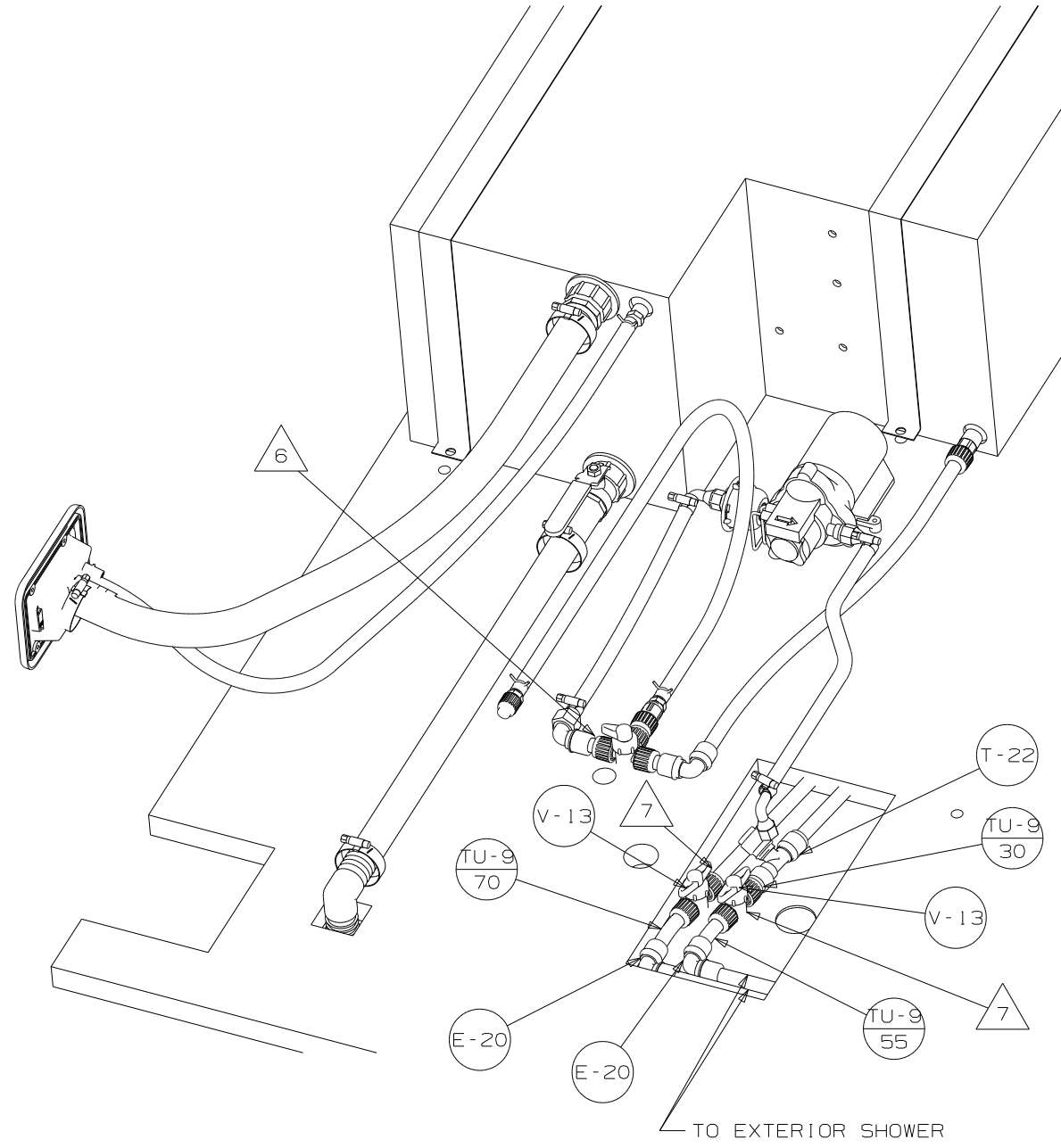
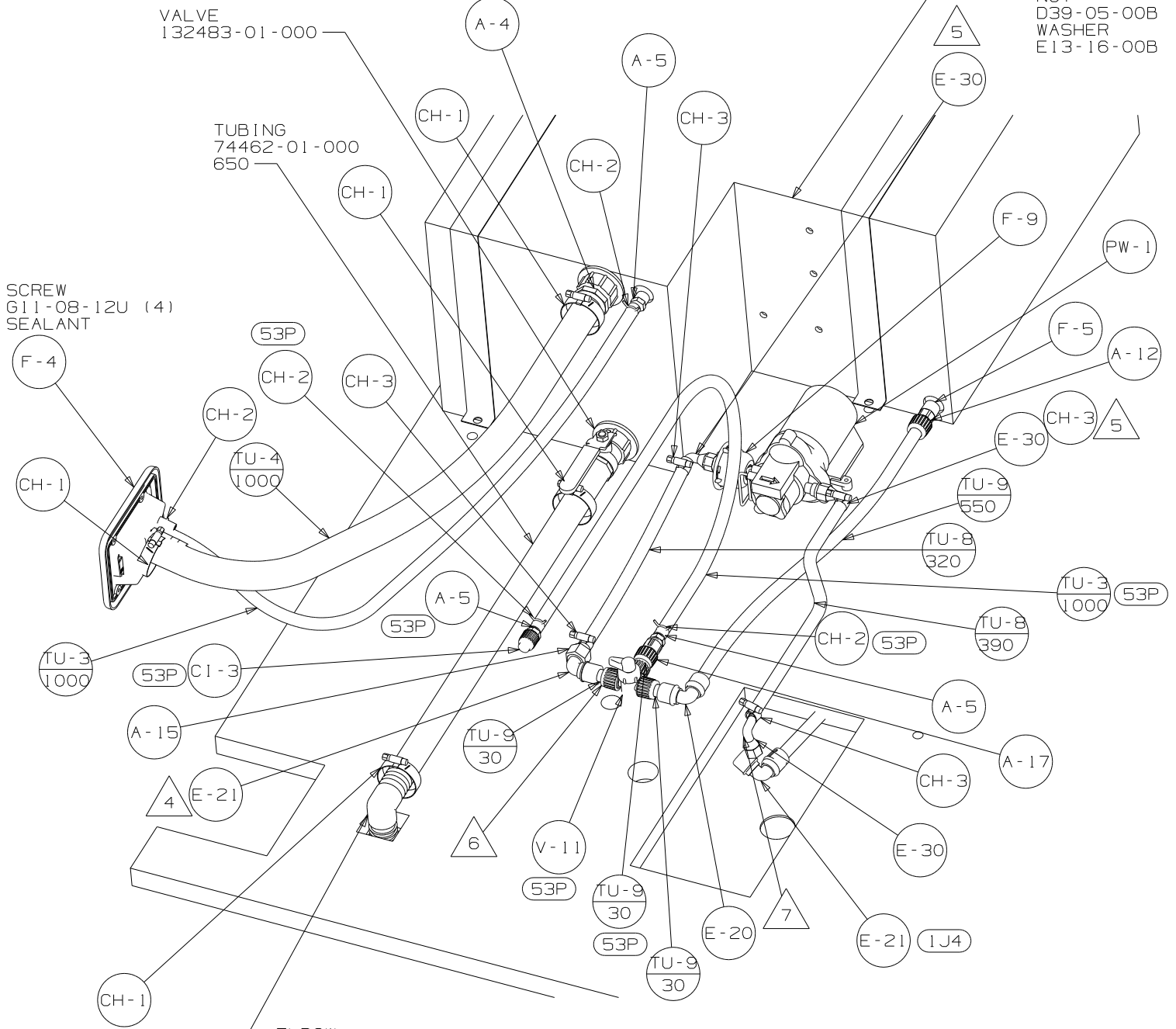
PAN-DRIP, EXTERIOR SHOWER
114293-01-CHT
SCREW
G67-10-08U (2)



VIEW E

FIRST USED	04 331C/T
TITLE	DO NOT SCALE DRAWING
SHEET 3	PART NO 144464
	1 1/7/2004

- TANK ASM-WATER, 31 GAL
- 64214-21-000
- STRAP-TANK, WATER
- 118994-03-CHT
- 118994-04-CHT
- BOLT
- C18-05-40A (4)
- NUT
- D39-05-00B (4)
- WASHER
- E13-16-00B (4)



FIRST USED	04 331C/T
TITLE	DO NOT SCALE DRAWING
	WATER SYSTEM INSTL
SHEET 4	PART NO 144464

