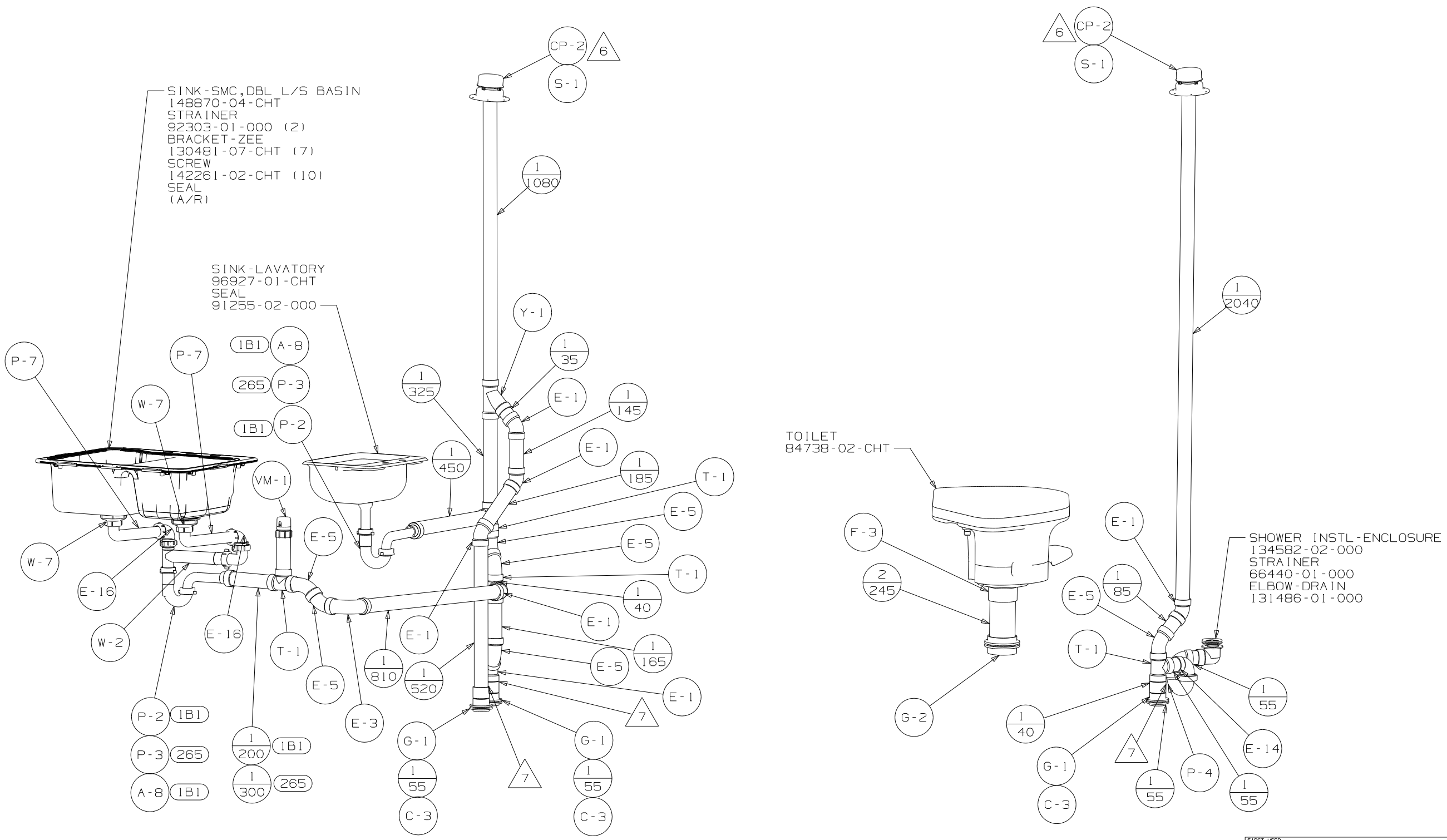


FRONT
OF
COACH

- NOTES:
- 7. SECURE VENT TO FLOOR WITH BRACKET 136878-01-CHT CLAMP 62401-02-000, SCREW G67-10-12B.
 - 6. VENT PIPE MUST PROJECT 51 MIN AND 64 MAX ABOVE ROOF FOR PROPER FIT AND FUNCTION.
 - 5. SEAL AROUND SHOWER WITH SILICONE.
 - 4. ALL EXTERIOR OPENINGS AROUND PIPE TO BE SEALED WITH 110744-01-000.
 - 3. ALL PIPE AND FITTINGS TO BE ASSEMBLED WITH SOLVENT 4020-01-000.
 - 2. SLOPE OF TRAP ARM MUST BE 6 PER 305 mm.
 - 1. SLOPE OF HORIZONTAL PIPING TO BE MIN 6 PER 305 mm.

(X-X)
FOR
DRAINAGE
CALLOUTS
SEE DWG NO
116229-01-000

WINNEBAGO		COPYRIGHT 2004 WINNEBAGO INDUSTRIES, INC.	
D/FR	ORIG. DATE	ALL DIMENSIONS ARE IN MILLIMETERS	
CHKR		FIRST USED	
P.E.		04 329K	
M.E.		UNSPECIFIED TOLERANCES ARE:	
DSNR		MATERIAL:	
		WHOLE DIM (X) :	3
		ONE-PLACE (X.X) :	
		TWO-PLACE (X.XX) :	
		ANGLE :	
THIRD ANGLE PROJECTION		DO NOT SCALE DRAWING	
TITLE:		DRAINAGE SYSTEM INSTL	
SHEET 1 OF 3	PART NO	147826	
REF: 142220 1 1/7/2004			



SINK-SMC, DBL L/S BASIN
 148870-04-CHT
 STRAINER
 92303-01-000 (2)
 BRACKET-ZEE
 130481-07-CHT (7)
 SCREW
 142261-02-CHT (10)
 SEAL
 (A/R)

SINK-LAVATORY
 96927-01-CHT
 SEAL
 91255-02-000

TOILET
 84738-02-CHT

SHOWER INSTL-ENCLOSURE
 134582-02-000
 STRAINER
 66440-01-000
 ELBOW-DRAIN
 131486-01-000

VIEW A VIEW B

FIRST USED	04 329K
DO NOT SCALE DRAWING	
TITLE	DRAINAGE SYSTEM INSTL
SHEET 2	PART NO 147826

CRADLE ASM
139596-01-CHT
BOLT
C18-05-40A (4)
NUT
D13-05-00B (4)

CRADLE ASM
139597-01-CHT
BOLT
C18-05-40A (4)
NUT
D13-05-00B (4)

FRONT AXLE
COACH

1222

1498

DATUM

20

3946

4399

VIEW D

TANK - HOLDING
139645-02-CHT

TANK - HOLDING
139646-04-CHT

PAD-HEATER
133972-04-CHT

PAD-HEATER
133972-04-CHT

VIEW E

V-11

H-1

2/55

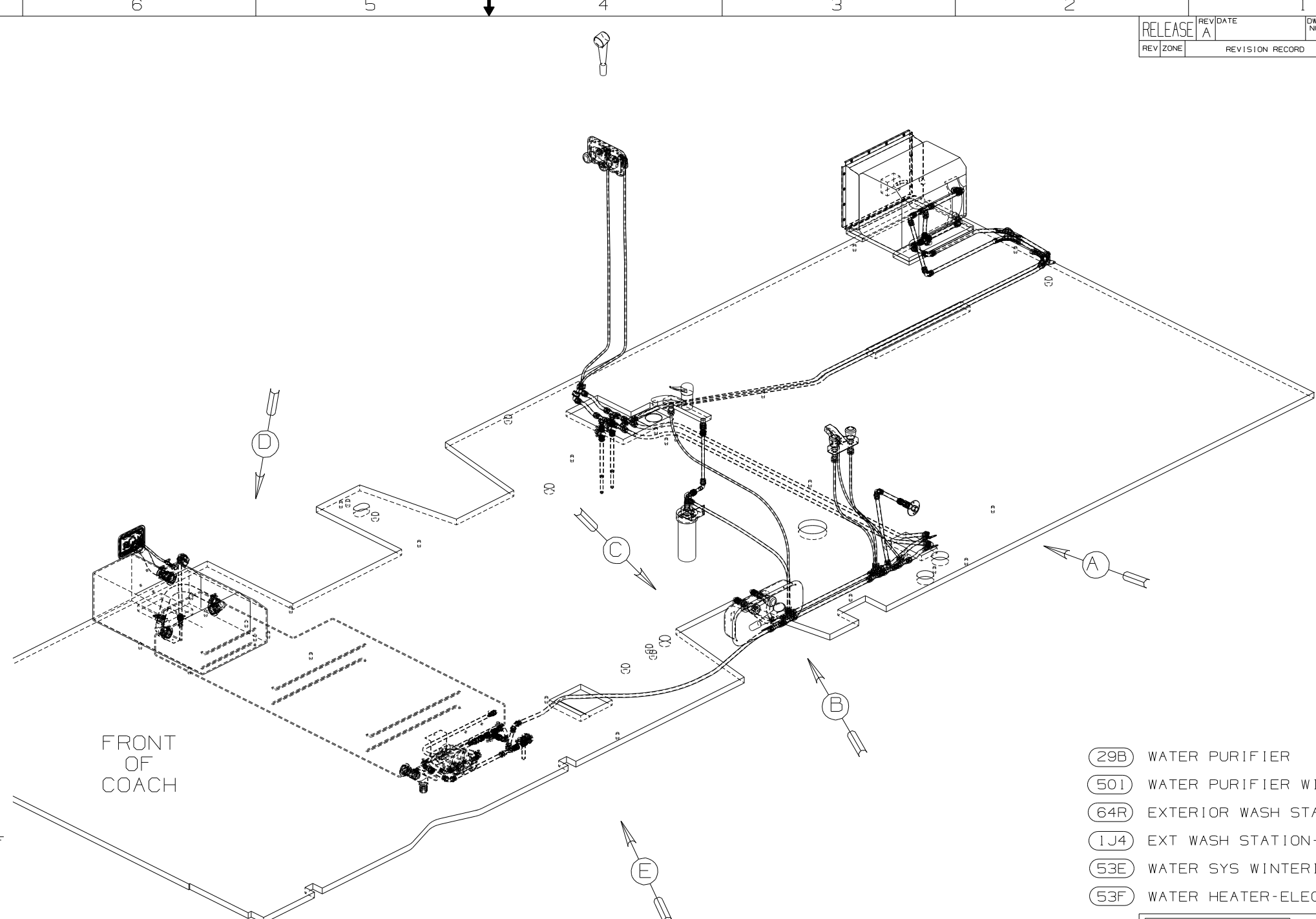
C-2

N-3

2/55

VIEW C

FIRST USED	04 329K
TITLE	DO NOT SCALE DRAWING DRAINAGE SYSTEM INSTL
SHEET 3	PART NO 147826



- 11 LABEL THE HOT AND COLD SUPPLY TUBES.
- 10 TAPE FITTING TO TUBE BEFORE CABINET SET TO PREVENT FITTING FROM MOVING.
- 9 THE BOLTS ON THE FRONT SIDE OF THE WATER TANK ARE TO BE INSTALLED WITH THE HEAD OF THE BOLT ON THE TOP SIDE OF THE FLOOR.
- 8 ATTACH WASHER-PLASTIC 87080-13-CHT WITH TAPE-DOUBLE 123816-03-000 ON BOTTOM SIDE OF LOWER FLOOR.
- 7 ATTACH WASHER-PLASTIC 87080-11-CHT WITH TAPE-DOUBLE 123816-03-000 ON BOTTOM SIDE OF COMPARTMENT.
- 6 ADD TEFLON TAPE 10405-01-000 TO FITTING.
- 5 ADD TEFLON TAPE 10405-03-000 TO FITTING.
- 4 ADD TEFLON TAPE 10405-02-000 TO FITTING.

- 3. ALL TUBING TO BE SECURED AT 1200 INTERVALS MAXIMUM WITH CLAMP 10495-01-000 OR CLIP 9151-01-000 AND SCREW G67-10-12B.
- 2. TUBING TO BE INSTALLED WITH SUFFICIENT SLOPE TO PROVIDE DRAINAGE TO NEAREST VALVE.
- 1. PLASTIC FITTINGS TO BE SEALED WITH SEALANT 84456-01-000.

NOTES:

- 29B WATER PURIFIER
- 501 WATER PURIFIER WITHOUT
- 64R EXTERIOR WASH STATION
- 1J4 EXT WASH STATION-WITHOUT
- 53E WATER SYS WINTERIZATION PKG
- 53F WATER HEATER-ELEC IGNITION

WINNEBAGO		COPYRIGHT 2003 WINNEBAGO INDUSTRIES, INC.	
DFTR	ORIG. DATE	ALL DIMENSIONS ARE IN MILLIMETERS	
CHKR		FIRST USED	
P.E.		04 329K	
M.E.		UNSPECIFIED TOLERANCES ARE:	
DSNR		MATERIAL:	
		WHOLE DIM (X) :	7
		ONE-PLACE (X.X) :	
		TWO-PLACE (X.XX) :	
		ANGLE :	
THIRD ANGLE PROJECTION		DO NOT SCALE DRAWING	
TITLE: WATER SYSTEM INSTL			
SHEET 1 OF 3		PART NO 147825	

FOR
WATER
CALLOUTS
SEE DWG NO
116230-01-000

WATER HEATER
 51391-03-000 (53F)
 DOOR
 78506-01-CHT
 AL EXTR
 2726-01-210 (2)
 2726-01-212 (2)
 SCREW
 G39-10-169 (18)
 SEALANT

VIEW B
(501)

FAUCET
 79527-03-CHT
 GASKET
 91253-01-000

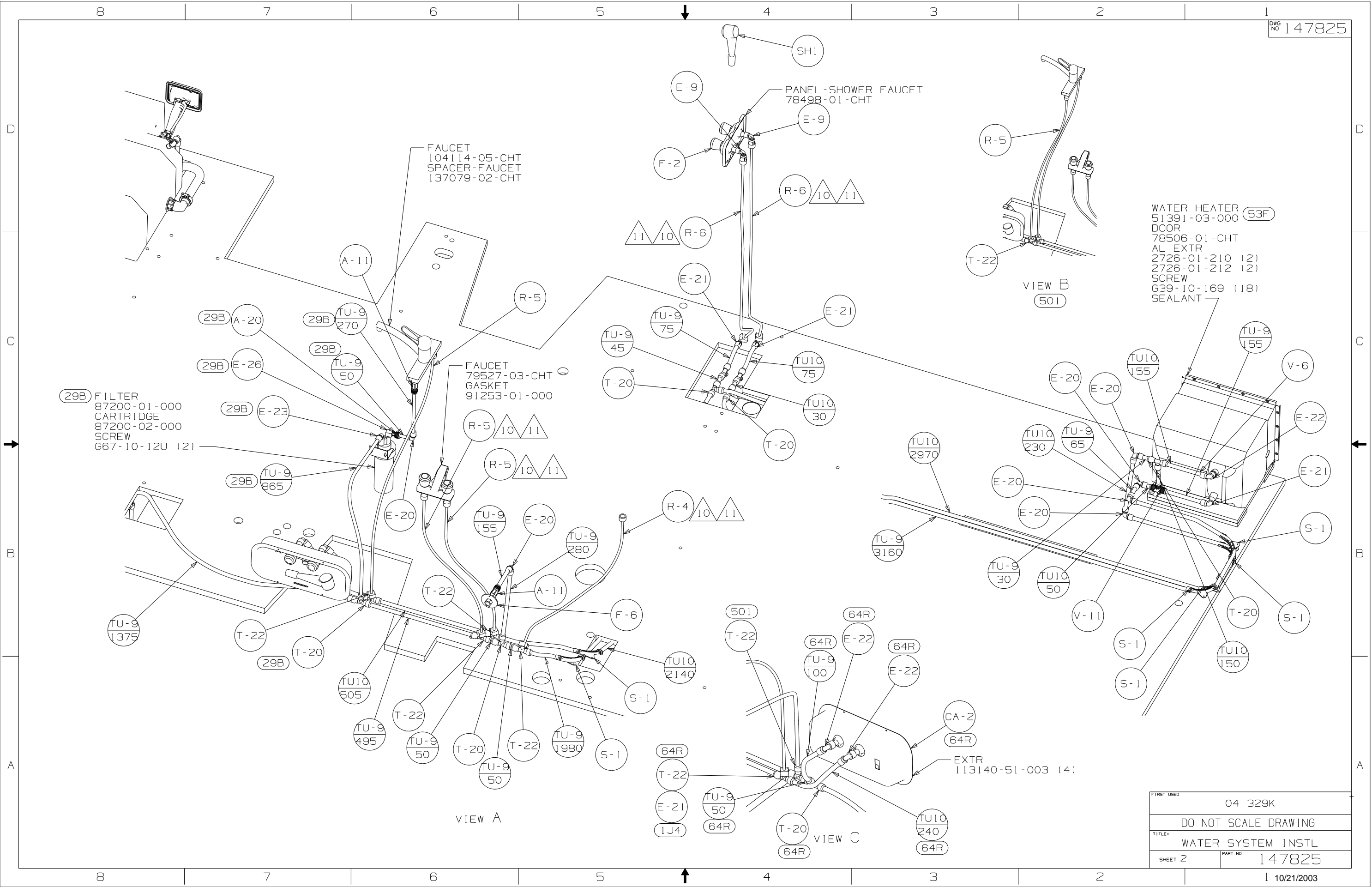
FAUCET
 104114-05-CHT
 SPACER-FAUCET
 137079-02-CHT

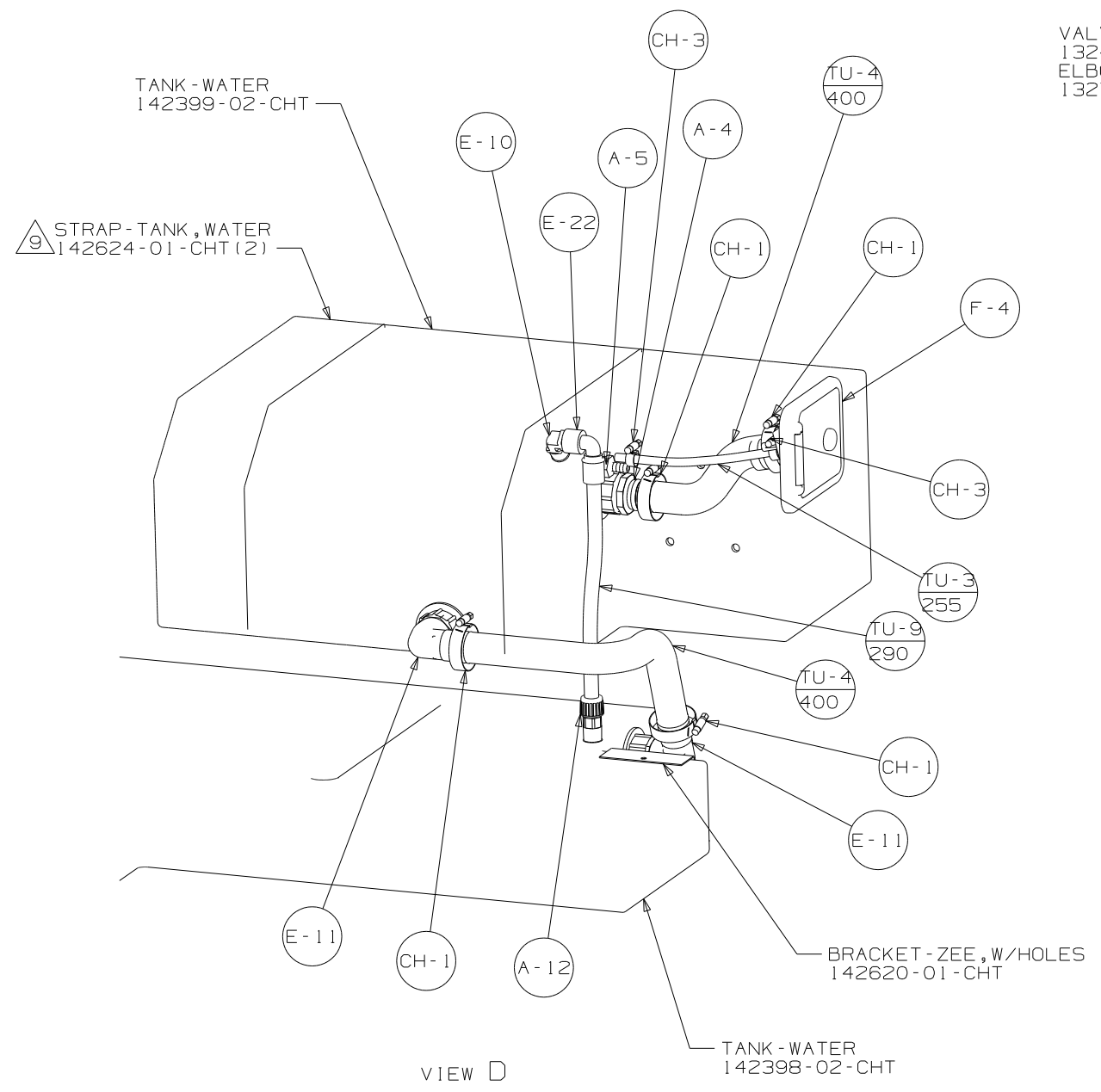
EXTR
 113140-51-003 (4)

VIEW A

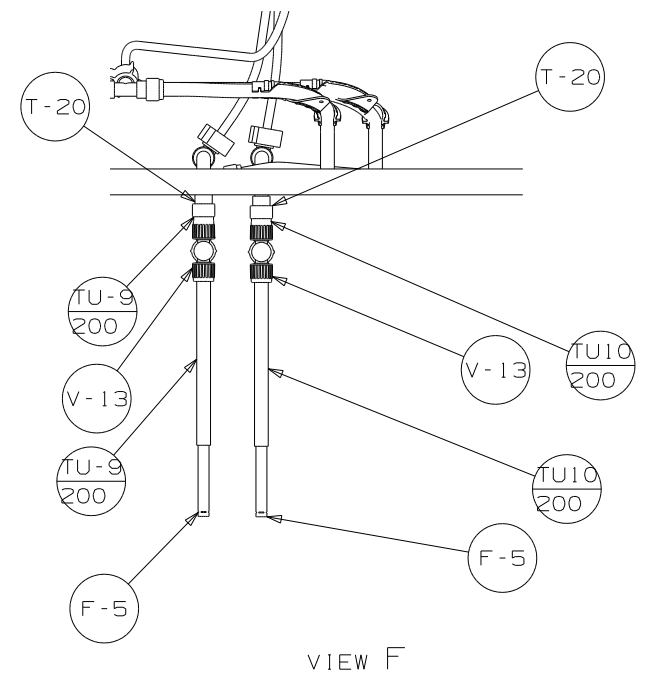
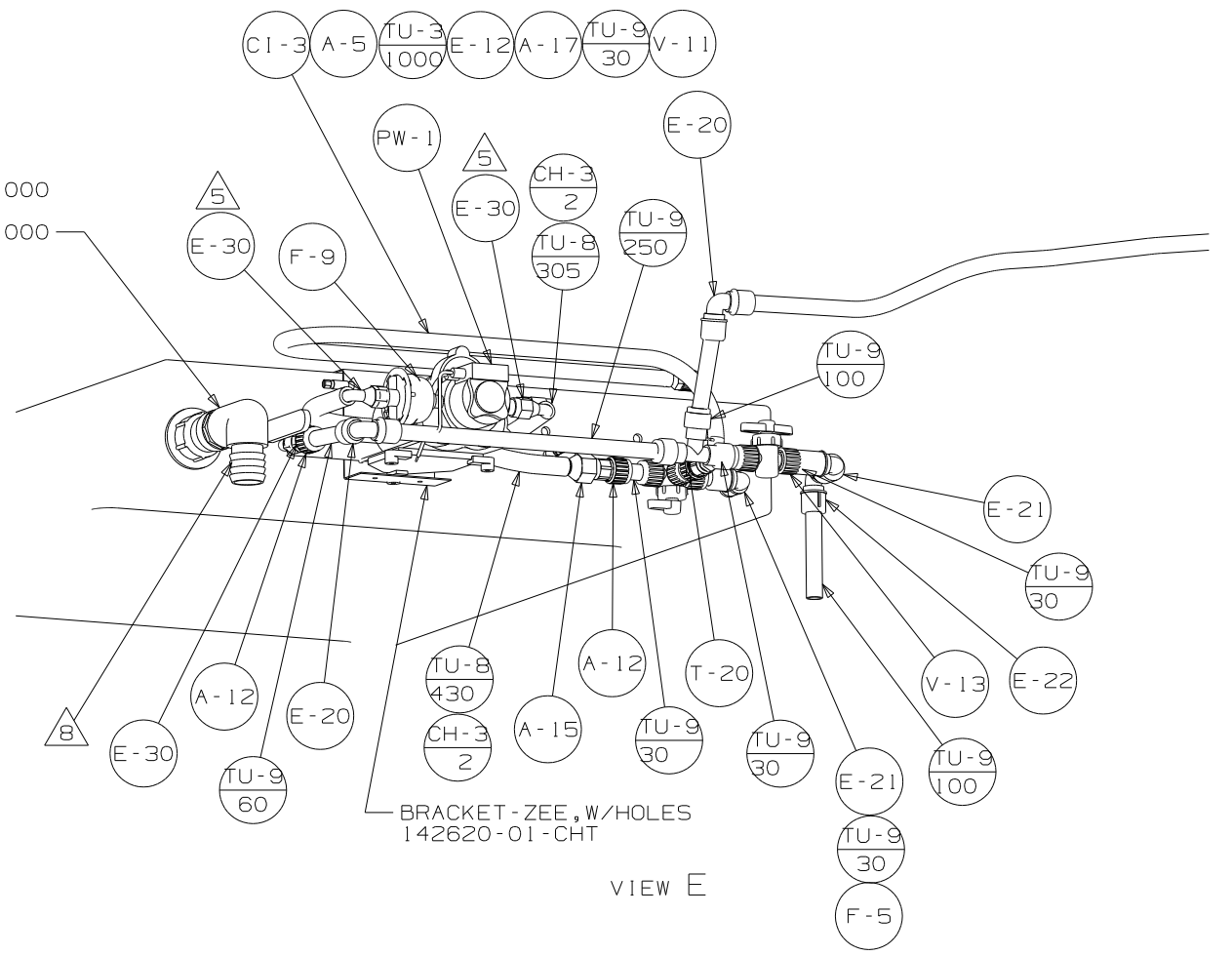
VIEW C

FIRST USED	04 329K
TITLE	DO NOT SCALE DRAWING
TITLE	WATER SYSTEM INSTL
SHEET 2	PART NO 147825





VALVE
132483-01-000
ELBOW
132782-01-000



FIRST USED	04 329K
TITLE:	DO NOT SCALE DRAWING
SHEET 3	PART NO 147825
	10/21/2003