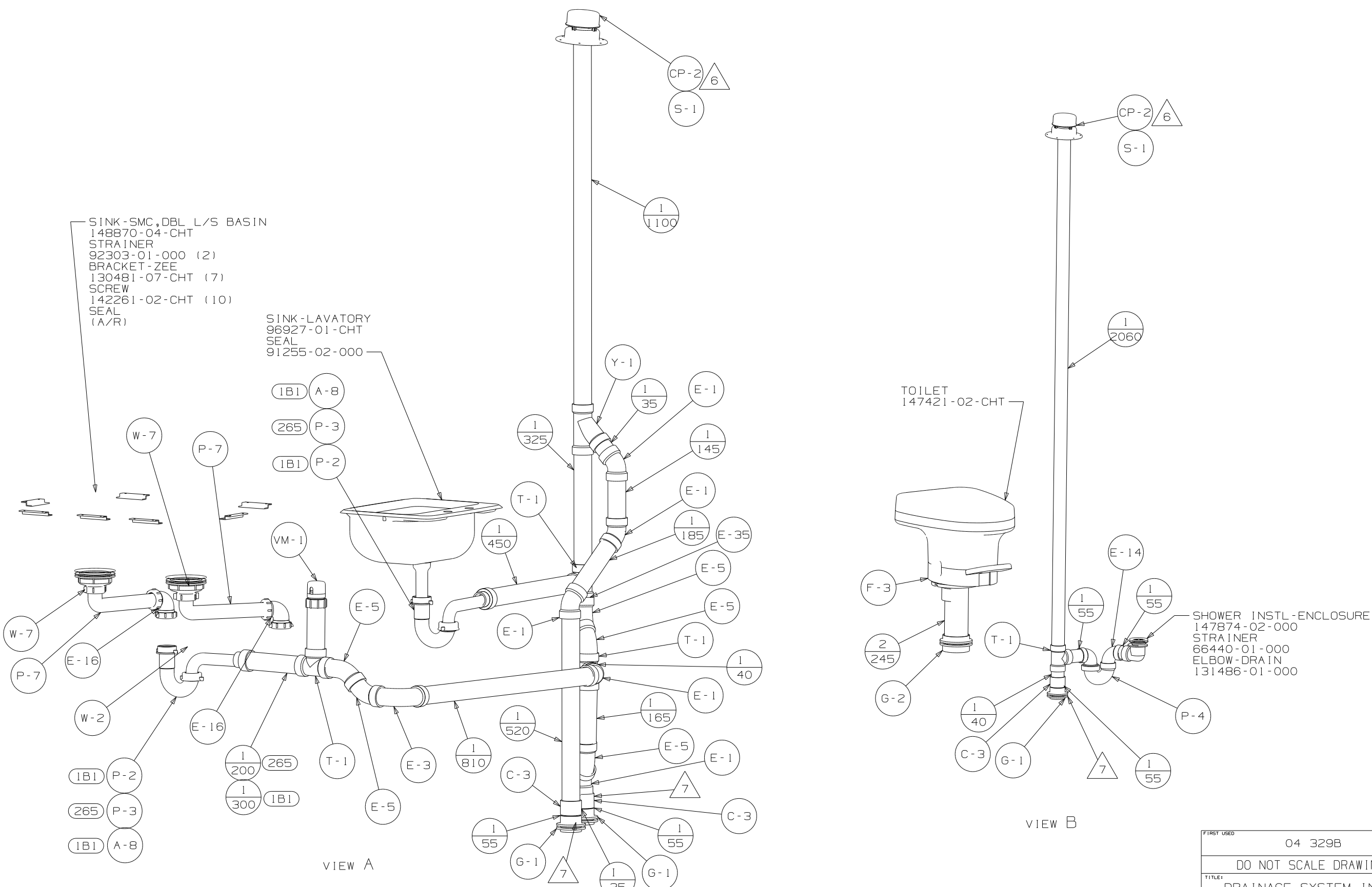


- NOTES:
- 7. SECURE VENT TO FLOOR WITH BRACKET 136878-01-CHT CLAMP 62401-02-000, SCREW G67-10-12B.
 - 6. VENT PIPE MUST PROJECT 51 MIN AND 64 MAX ABOVE ROOF FOR PROPER FIT AND FUNCTION.
 - 5. SEAL AROUND SHOWER WITH SILICONE.
 - 4. ALL EXTERIOR OPENINGS AROUND PIPE TO BE SEALED WITH 110744-01-000.
 - 3. ALL PIPE AND FITTINGS TO BE ASSEMBLED WITH SOLVENT 4020-01-000 (US), 4020-02-000 (CAN).
 - 2. SLOPE OF TRAP ARM MUST BE 6 PER 305 mm.
 - 1. SLOPE OF HORIZONTAL PIPING TO BE MIN 6 PER 305 mm.

FRONT
OF
COACH

(X-X)
FOR
DRAINAGE
CALLOUTS
SEE DWG NO
116229-01-000

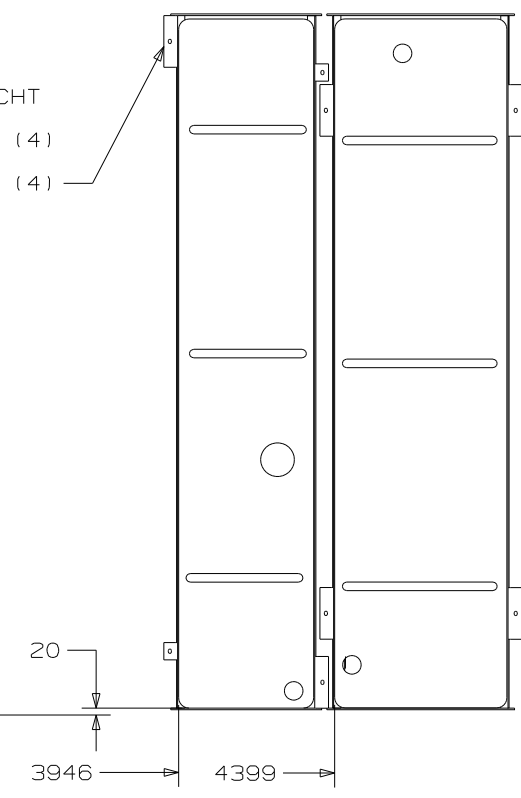
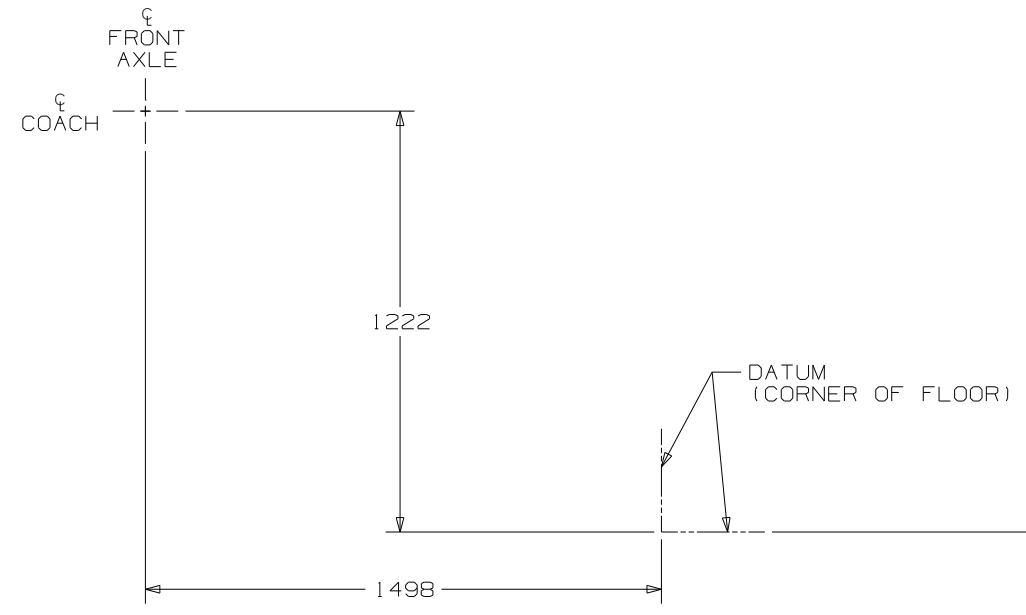
WINNEBAGO		COPYRIGHT 2004 WINNEBAGO INDUSTRIES, INC.	
DFTR	ORIG. DATE	ALL DIMENSIONS ARE IN MILLIMETERS	
CHKR		FIRST USED	
P.E.		04 329B	
M.E.		UNSPECIFIED TOLERANCES ARE:	
DSNR		MATERIAL:	
		WHOLE DIM (X) :	3
		ONE-PLACE (X.X) :	
		TWO-PLACE (X.XX) :	
		ANGLE :	
THIRD ANGLE PROJECTION		DO NOT SCALE DRAWING	
TITLE:		DRAINAGE SYSTEM INSTL	
SHEET 1 OF 3	PART NO	147200	
REF: 142220 1 08/24/2004			



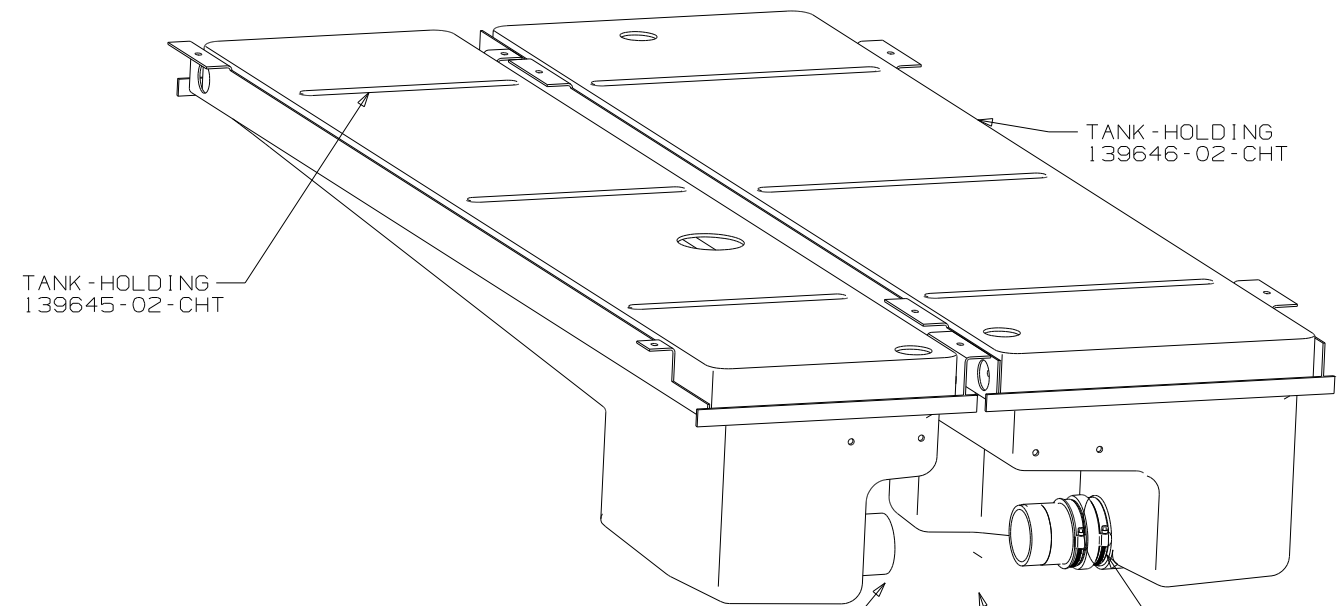
FIRST USED	04 329B
DO NOT SCALE DRAWING	
TITLE	DRAINAGE SYSTEM INSTL
SHEET 2	PART NO 147200

CRADLE ASM
139596-01-CHT
BOLT
C18-05-40A (4)
NUT
D13-05-00B (4)

CRADLE ASM
139597-01-CHT
BOLT
C18-05-40A (4)
NUT
D13-05-00B (4)

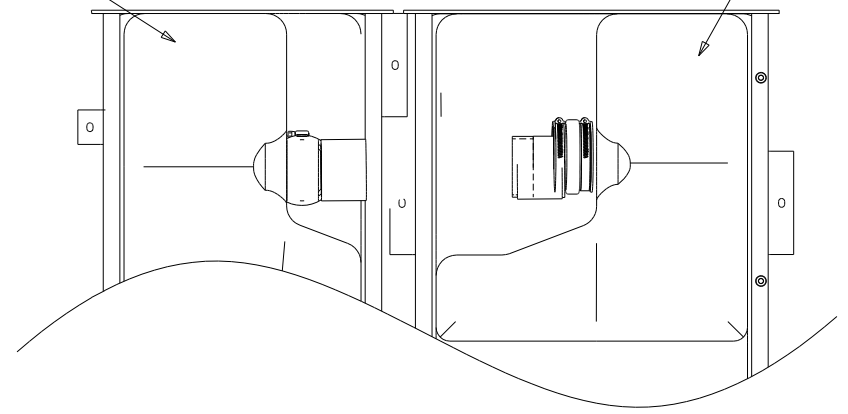


VIEW D

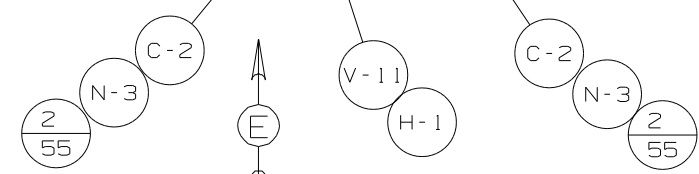


PAD-HEATER 133972-04-CHT

PAD-HEATER 133972-04-CHT

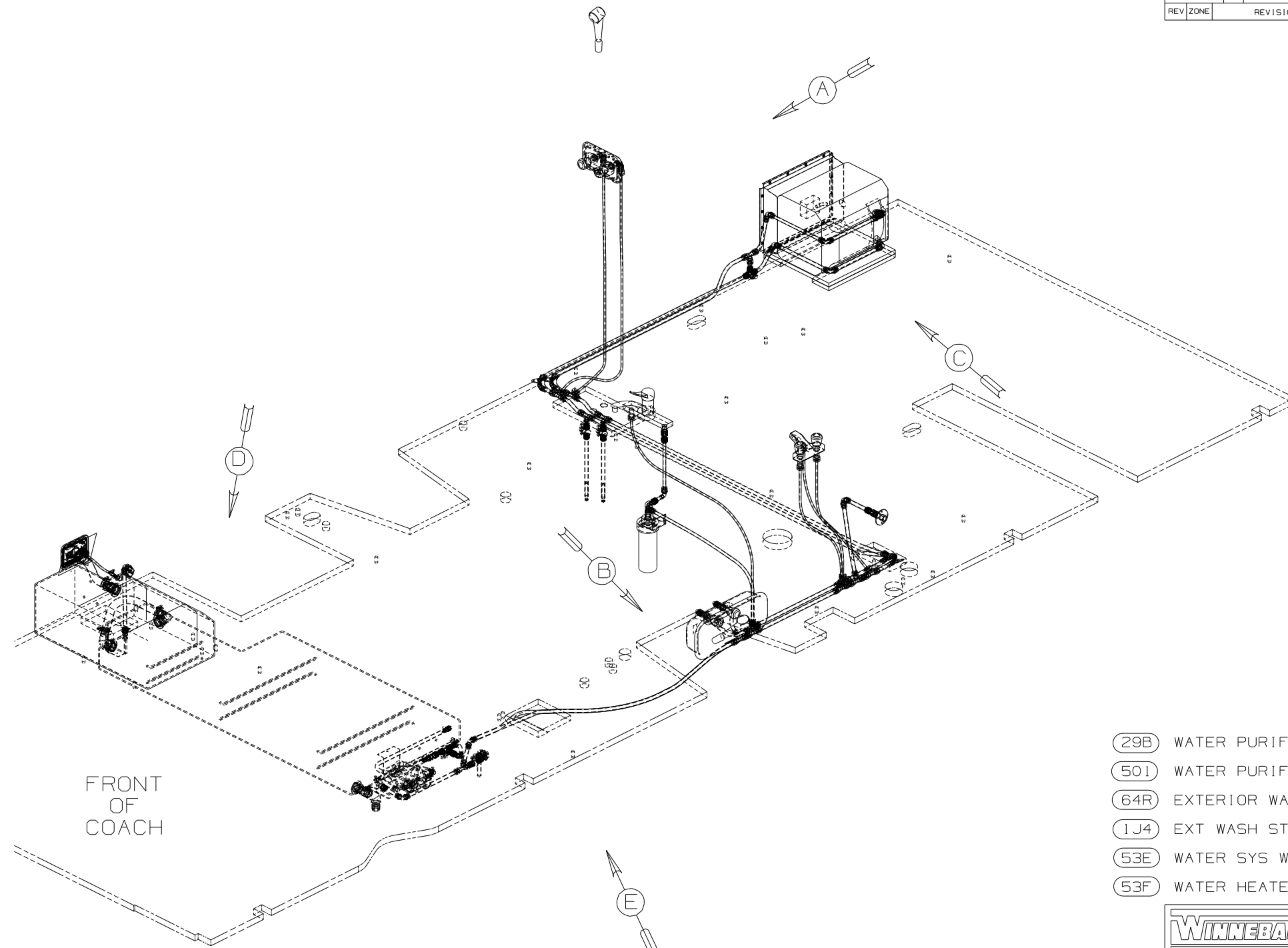


VIEW E



VIEW C

FIRST USED	04 329B
DO NOT SCALE DRAWING	
TITLE	DRAINAGE SYSTEM INSTL
SHEET 3	PART NO 147200



- 11 LABEL THE HOT AND COLD SUPPLY TUBES.
- 10 TAPE FITTING TO TUBE BEFORE CABINET SET TO PREVENT FITTING FROM MOVING.
- 9 THE BOLTS ON THE FRONT SIDE OF THE WATER TANK ARE TO BE INSTALLED WITH THE HEAD OF THE BOLT ON THE TOP SIDE OF THE FLOOR.
- 8 ATTACH WASHER-PLASTIC 87080-13-CHT WITH TAPE-DOUBLE 123816-03-000 ON BOTTOM SIDE OF LOWER FLOOR.
- 7 ATTACH WASHER-PLASTIC 87080-11-CHT WITH TAPE-DOUBLE 123816-03-000 ON BOTTOM SIDE OF COMPARTMENT.
- 6 ADD TEFLON TAPE 10405-01-000 TO FITTING.
- 5 ADD TEFLON TAPE 10405-03-000 TO FITTING.
- 4 ADD TEFLON TAPE 10405-02-000 TO FITTING.

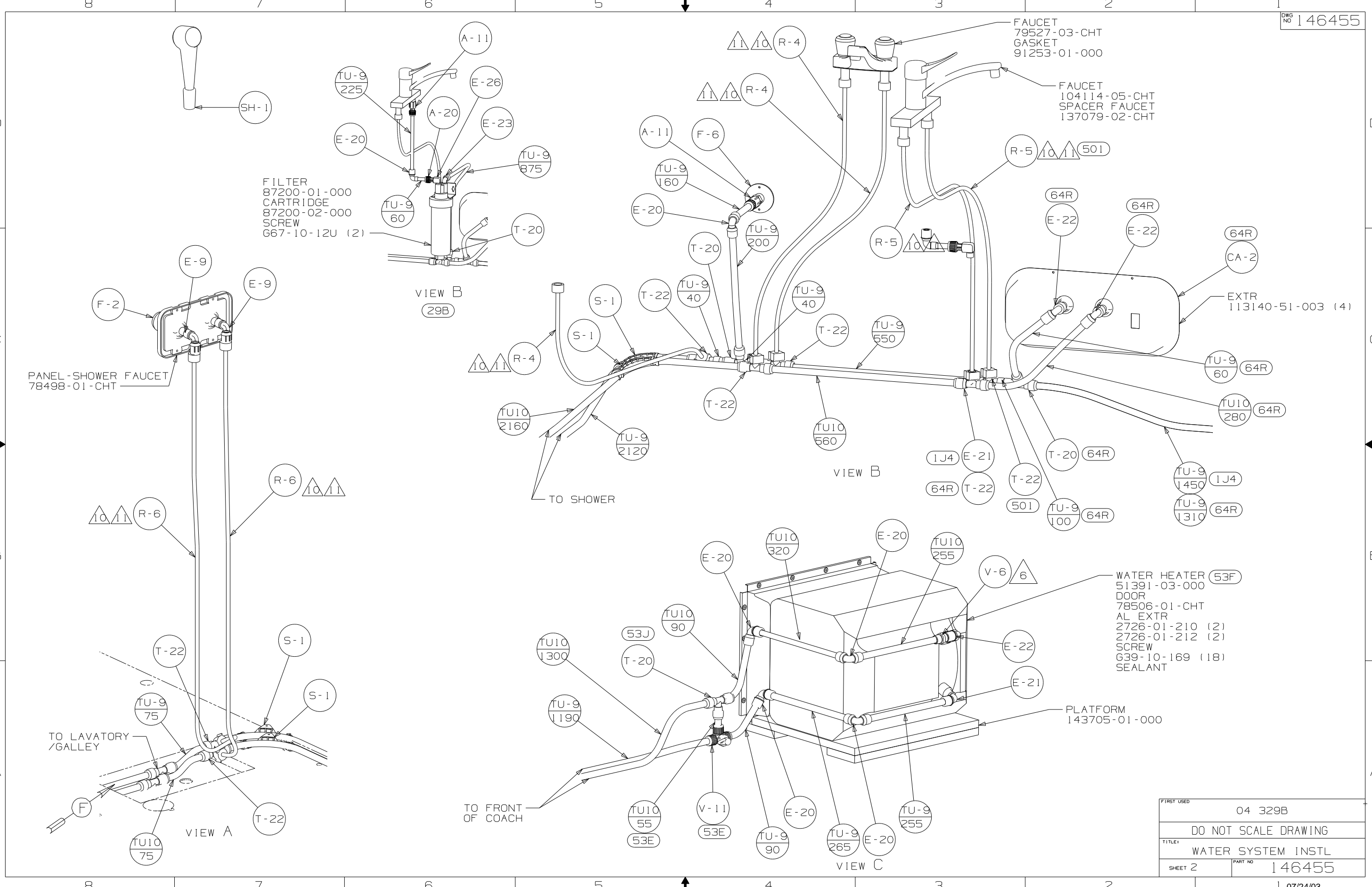
- 3. ALL TUBING TO BE SECURED AT 1200 INTERVALS MAXIMUM WITH CLAMP 10495-01-000 OR CLIP 9151-01-000 AND SCREW G67-10-12B.
- 2. TUBING TO BE INSTALLED WITH SUFFICIENT SLOPE TO PROVIDE DRAINAGE TO NEAREST VALVE.
- 1. PLASTIC FITTINGS TO BE SEALED WITH SEALANT 84456-01-000.

NOTES:

- 29B WATER PURIFIER
- 50I WATER PURIFIER WITHOUT
- 64R EXTERIOR WASH STATION
- 1J4 EXT WASH STATION-WITHOUT
- 53E WATER SYS WINTERIZATION PKG
- 53F WATER HEATER-ELEC IGNITION

WINNEBAGO		COPYRIGHT 2003 WINNEBAGO INDUSTRIES, INC.	
DFTR	ORIG. DATE	ALL DIMENSIONS ARE IN MILLIMETERS	
CHKR		FIRST USED	
P.E.		04 329B	
M.E.		UNSPECIFIED TOLERANCES ARE:	
DSNR		MATERIAL:	
		WHOLE DIM (X) :	7
		ONE-PLACE (X.X) :	
		TWO-PLACE (X.XX) :	
		ANGLE :	
THIRD ANGLE PROJECTION		DO NOT SCALE DRAWING	
TITLE: WATER SYSTEM INSTL			
SHEET 1 OF 3		PART NO 146455	

FOR
WATER
CALLOUTS
SEE DWG NO
116230-01-000



FILTER
87200-01-000
CARTRIDGE
87200-02-000
SCREW
667-10-12U (2)

FAUCET
79527-03-CHT
GASKET
91253-01-000

FAUCET
104114-05-CHT
SPACER FAUCET
137079-02-CHT

EXTR
113140-51-003 (4)

WATER HEATER (53F)
51391-03-000
DOOR
78506-01-CHT
AL EXTR
2726-01-210 (2)
2726-01-212 (2)
SCREW
639-10-169 (18)
SEALANT

PLATFORM
143705-01-000

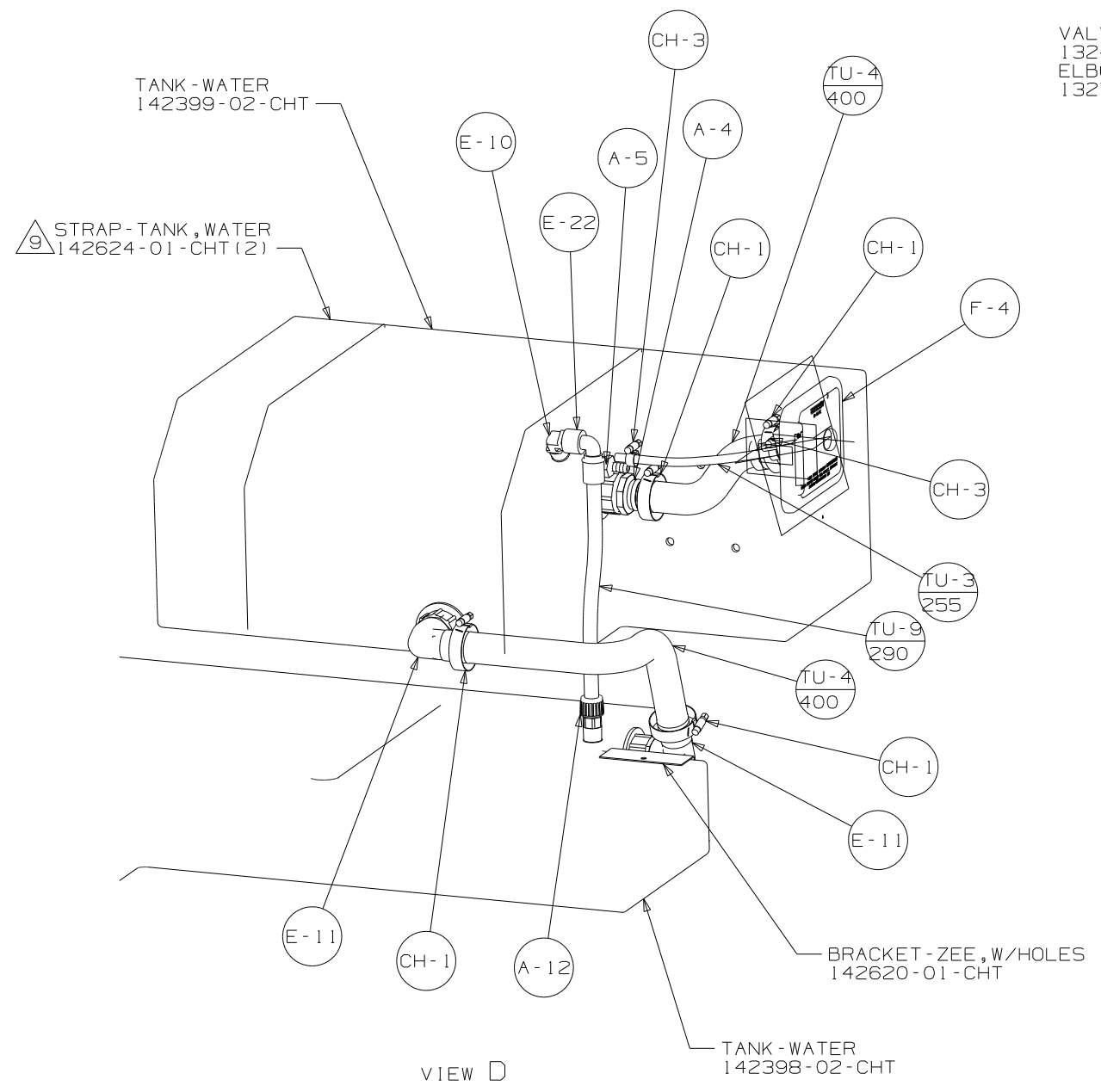
VIEW B
(29B)

VIEW B

VIEW A

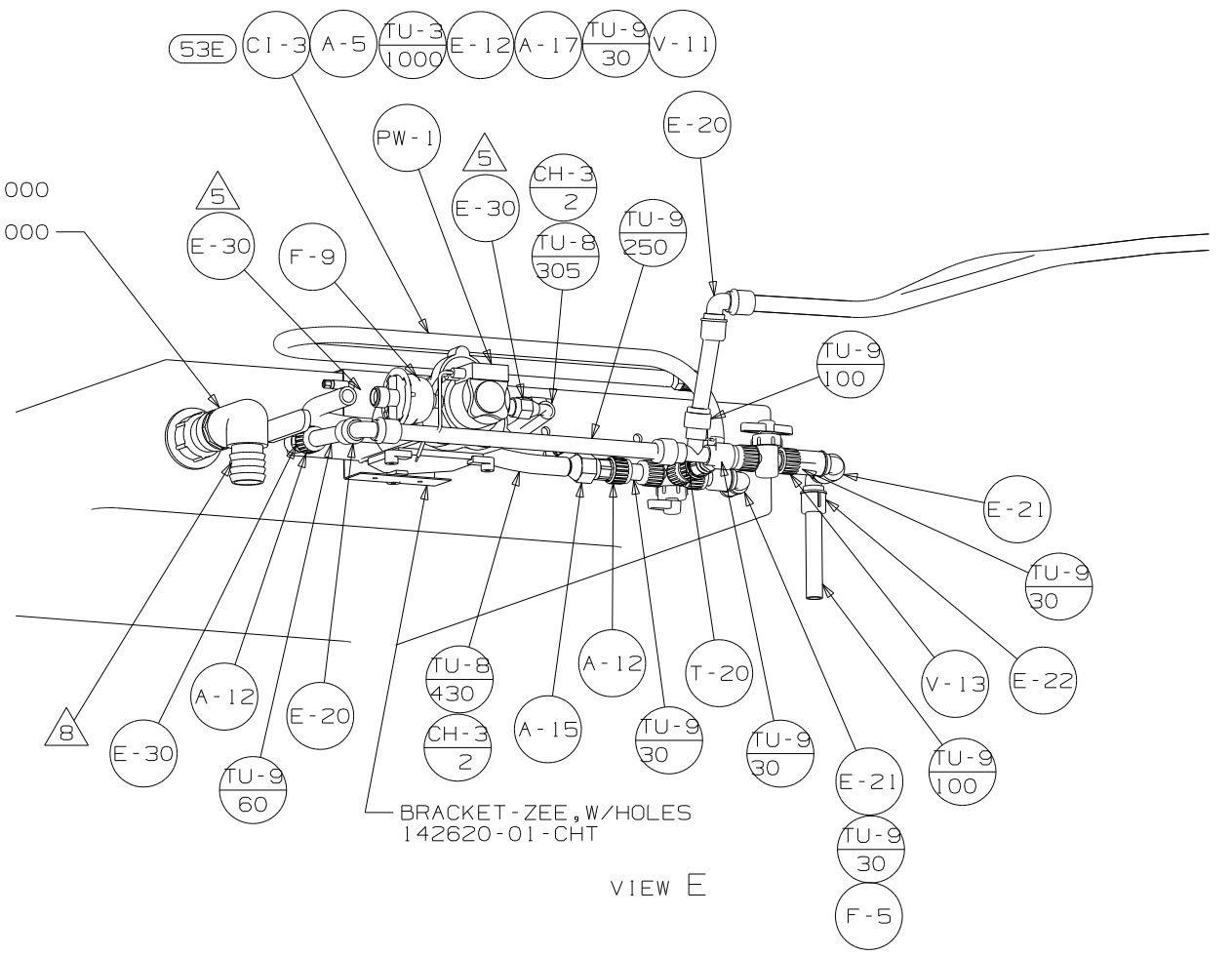
VIEW C

FIRST USED	04 329B
DO NOT SCALE DRAWING	
TITLE	WATER SYSTEM INSTL
SHEET 2	PART NO 146455

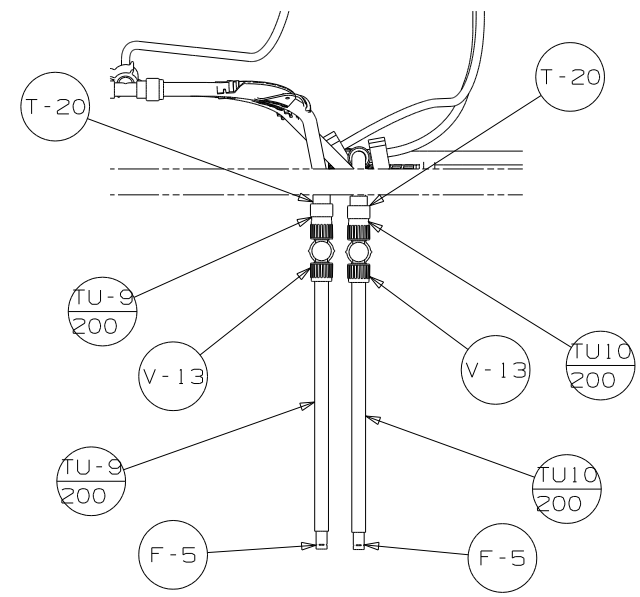


VIEW D

VALVE
132483-01-000
ELBOW
132782-01-000



VIEW E



VIEW F

FIRST USED	04 329B
DO NOT SCALE DRAWING	
TITLE:	WATER SYSTEM INSTL
SHEET 3	PART NO 146455