



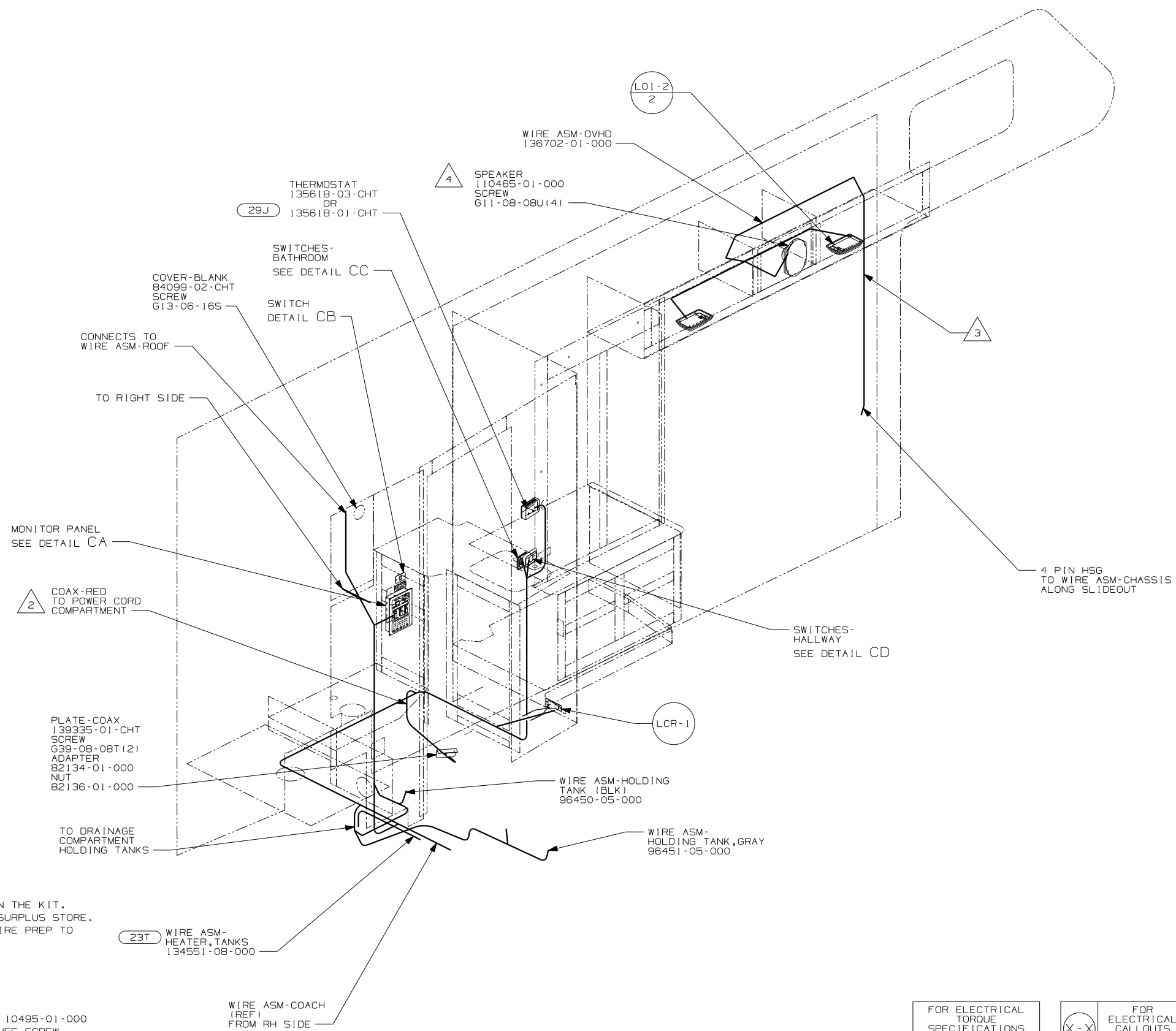
DANGER

Danger of electrical shock, burns or death. Always remove all power sources before attempting any repair, service or diagnostic work. Power can be present from shore power, generator, inverter or battery. All power sources must be disabled and secured before performing any service.



CAUTION

If you lack the skills, tools or equipment to perform diagnostic or repair work leave such work to an authorized Winnebago Industries dealer or other qualified shop.



- 4 USE ONE OF THE SPEAKERS PROVIDED IN THE KIT. SEND THE SCREWS IN THE KIT TO THE SURPLUS STORE. SEND THE KIT WIRE ASM-PIGTAIL TO WIRE PREP TO BE INCORPORATED INTO A WIRE ASM.
- 3 WIRE INTEGRAL TO SIDEWALL.
- 2 WIRE ROUTE PASSES THRU FLOOR.

1. ALL WIRES TO BE SECURED WITH CLAMP 10495-01-000 OR CLIP 80734-01-000 EVERY 600MM. USE SCREW 667-10-12B UNLESS OTHERWISE SPECIFIED.

NOTES:

- 29J AC HEAT PUMP-1
- 23T DRAINAGE SYSTEM-HEATED
- 265 CODES/STANDARDS-CSA/CMVSS
- 1B1 CODES/STANDARDS USA

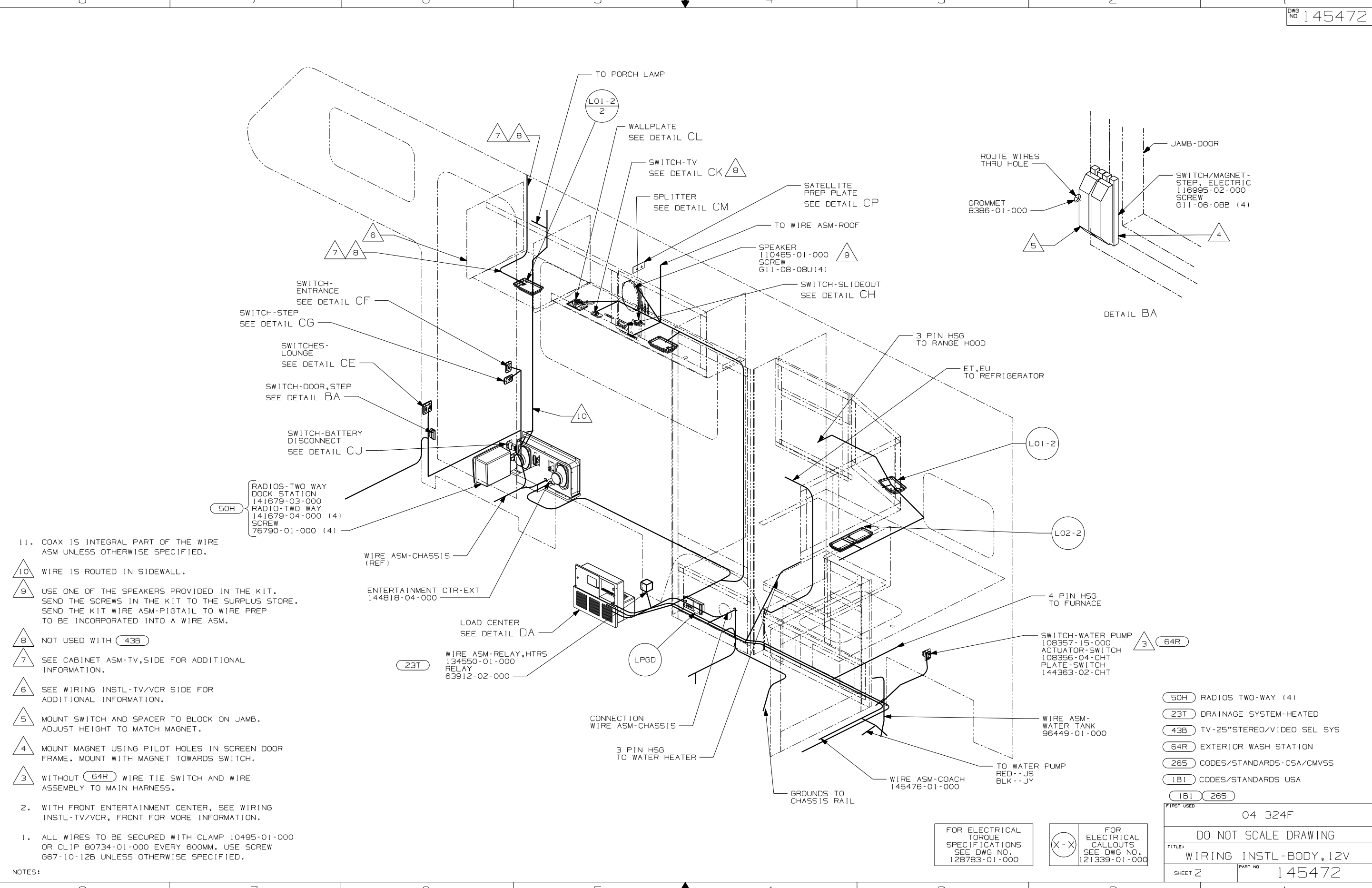


DFTR	ORIG. DATE
CHKR	ALL DIMENSIONS ARE IN MILLIMETERS
P.E.	
M.E.	FIRST USED
DSNR	04 324F
UNSPECIFIED TOLERANCES ARE:	MATERIAL:
HOLE DIM (X)	:
ONE-PLACE (X.X)	:
TWO-PLACE (X.XX)	:
ANGLE	:
THIRD ANGLE PROJECTION	

FOR ELECTRICAL TORQUE SPECIFICATIONS SEE DWG NO. 128783-01-000

FOR ELECTRICAL CALLOUTS SEE DWG NO. 121339-01-000

DO NOT SCALE DRAWING
 TITLE: WIRING INSTL-BODY, 12V
 SHEET 1 OF 5 PART NO 145472



- 11. COAX IS INTEGRAL PART OF THE WIRE ASM UNLESS OTHERWISE SPECIFIED.
- 10 WIRE IS ROUTED IN SIDEWALL.
- 9 USE ONE OF THE SPEAKERS PROVIDED IN THE KIT. SEND THE SCREWS IN THE KIT TO THE SURPLUS STORE. SEND THE KIT WIRE ASM-PIGTAIL TO WIRE PREP TO BE INCORPORATED INTO A WIRE ASM.
- 8 NOT USED WITH 43B
- 7 SEE CABINET ASM-TV, SIDE FOR ADDITIONAL INFORMATION.
- 6 SEE WIRING INSTL-TV/VCR SIDE FOR ADDITIONAL INFORMATION.
- 5 MOUNT SWITCH AND SPACER TO BLOCK ON JAMB. ADJUST HEIGHT TO MATCH MAGNET.
- 4 MOUNT MAGNET USING PILOT HOLES IN SCREEN DOOR FRAME. MOUNT WITH MAGNET TOWARDS SWITCH.
- 3 WITHOUT 64R WIRE TIE SWITCH AND WIRE ASSEMBLY TO MAIN HARNESS.
- 2. WITH FRONT ENTERTAINMENT CENTER, SEE WIRING INSTL-TV/VCR, FRONT FOR MORE INFORMATION.
- 1. ALL WIRES TO BE SECURED WITH CLAMP 10495-01-000 OR CLIP 80734-01-000 EVERY 600MM. USE SCREW 667-10-12B UNLESS OTHERWISE SPECIFIED.

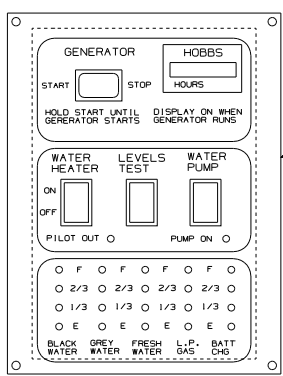
NOTES:

- 50H RADIOS TWO-WAY (4)
- 23T DRAINAGE SYSTEM-HEATED
- 43B TV-25"STEREO/VIDEO SEL SYS
- 64R EXTERIOR WASH STATION
- 265 CODES/STANDARDS-CSA/CMVSS
- 1B1 CODES/STANDARDS USA
- 1B1 265

FOR ELECTRICAL TORQUE SPECIFICATIONS SEE DWG NO. 128783-01-000

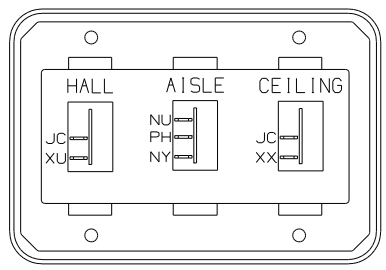
FOR ELECTRICAL CALLOUTS SEE DWG NO. 121339-01-000

FIRST USED	04 324F
DO NOT SCALE DRAWING	
TITLE:	WIRING INSTL-BODY, 12V
SHEET 2	PART NO 145472



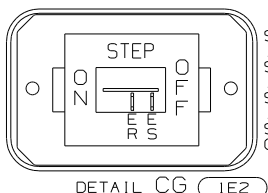
MONITOR PANEL
134940-01-CHT (40N)
OR
134940-02-CHT (1A3)
SCREW
G11-08-08U (2)

VIEW CA



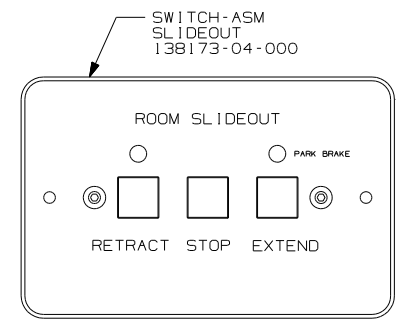
SWITCH-ROCKER
135740-01-CHT (2)
135740-02-CHT
SWITCH-BASE
135741-03-CHT
SWITCH-BEZEL
135742-25-CHT
SCREW
G11-08-08U (4)

DETAIL CD



SWITCH-ROCKER
135740-01-CHT
SWITCH-BASE
135741-01-CHT
SWITCH-BEZEL
135742-11-CHT
SCREW
G11-08-08U (2)

DETAIL CG (1E2)

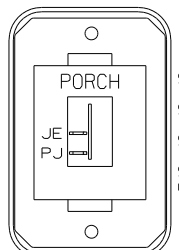


SWITCH-ASM SLIDEOUT
138173-04-000

WARNING UNDERSTAND OPERATOR'S MANUAL BEFORE USING. KEEP PEOPLE AND OBSTRUCTIONS CLEAR OF SLIDEOUT FROM REAR OPERATING TO AVOID INJURY AND/OR PROPERTY DAMAGE.

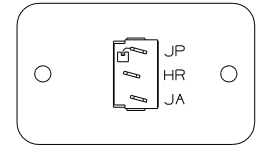
LABEL 116549-01-000

DETAIL CH

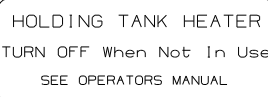


SWITCH-ROCKER
135740-01-CHT
SWITCH-BASE
135741-01-CHT
SWITCH-BEZEL
135742-09-CHT
SCREW
G11-08-08U (2)

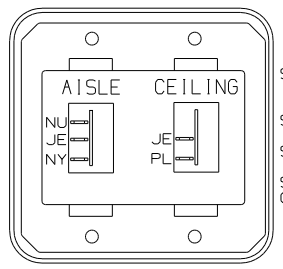
DETAIL CF



SWITCH-HEATER
89308-05-CHT
PLATE-SWITCH
98351-01-CHT
SCREW
G11-06-16J (2)
LABEL-SWITCH
134563-01-CHT

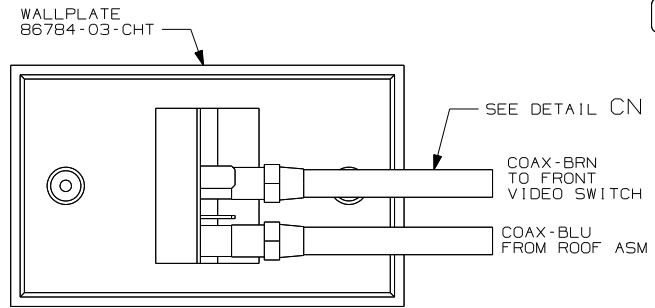


DETAIL CB (23T)



SWITCH-ROCKER
135740-01-CHT
135740-02-CHT
SWITCH-BASE
135741-02-CHT
SWITCH-BEZEL
135742-13-CHT
SCREW
G11-08-08U (4)

DETAIL CE



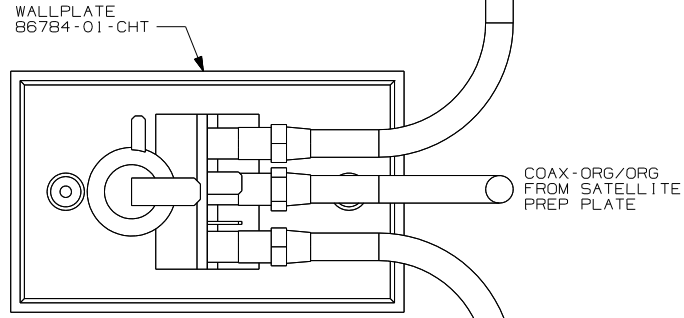
WALLPLATE 86784-03-CHT

SEE DETAIL CN

COAX-BRN TO FRONT VIDEO SWITCH

COAX-BLU FROM ROOF ASM

DETAIL CL (43B) (2)



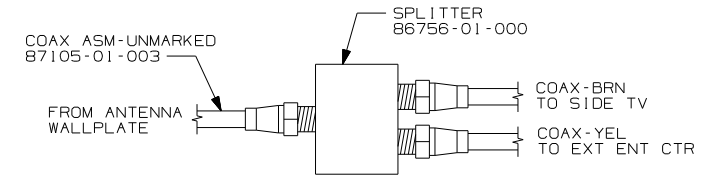
WALLPLATE 86784-01-CHT

COAX-UNMARKED TO DETAIL CM

COAX-ORG/ORG FROM SATELLITE PREP PLATE

COAX-BLU (ANTENNA)

DETAIL CL (1)



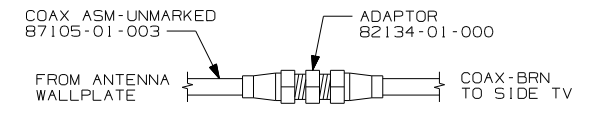
COAX ASM-UNMARKED 87105-01-003

SPLITTER 86756-01-000

COAX-BRN TO SIDE TV

COAX-YEL TO EXT ENT CTR

DETAIL CM (1D5)

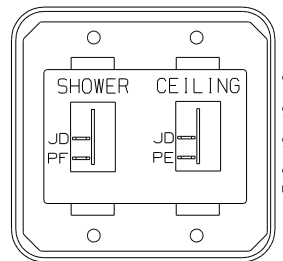


COAX ASM-UNMARKED 87105-01-003

ADAPTOR 82134-01-000

COAX-BRN TO SIDE TV

DETAIL CM



SWITCH-ROCKER
135740-01-CHT (2)
SWITCH-BASE
135741-02-CHT
SWITCH-BEZEL
135742-15-CHT
SCREW
G11-08-08U (4)

DETAIL CC

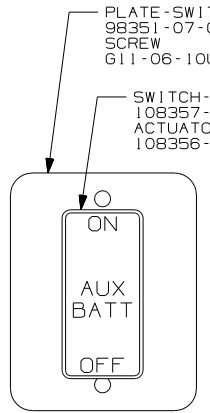
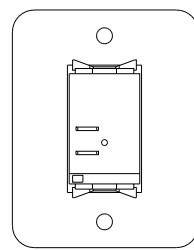


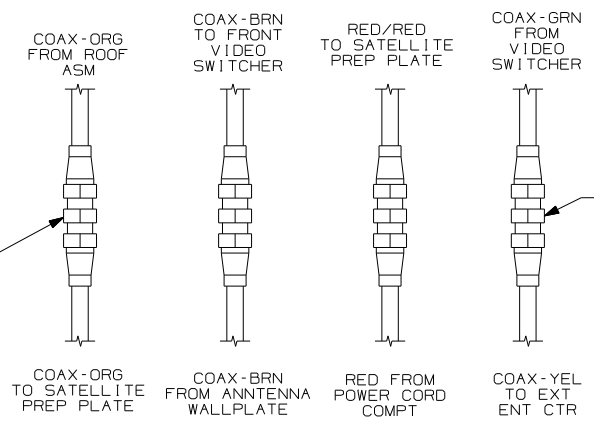
PLATE-SWITCH
98351-07-CHT
SCREW
G11-06-10U (2)

SWITCH-BATTERY, DISC
108357-06-000
ACTUATOR-SWITCH
108356-11-CHT

DETAIL CJ (FRONT SIDE)



DETAIL CJ (BACK SIDE)



COAX-ORG FROM ROOF ASM

COAX-BRN TO FRONT VIDEO SWITCHER

RED/RED TO SATELLITE PREP PLATE

COAX-GRN FROM VIDEO SWITCHER

ADAPTOR 82134-01-000 (1D5)

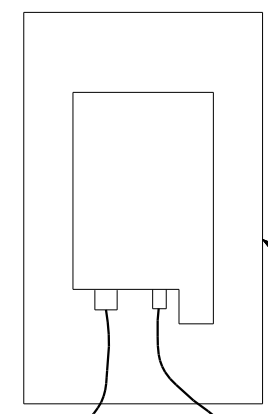
COAX-ORG TO SATELLITE PREP PLATE

COAX-BRN FROM ANTENNA WALLPLATE

RED FROM POWER CORD COMPT

COAX-YEL TO EXT ENT CTR

DETAIL CN (43B)



3 PIN HOUSING FROM WIRE ASM-ELEVATION SENSOR

2 PIN HOUSING FROM WIRE ASM-ROOF

DETAIL CR (48Q)

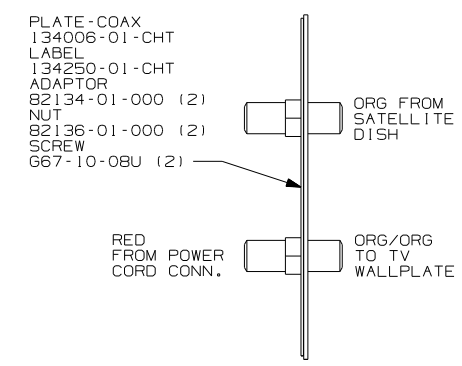


PLATE-COAX 134006-01-CHT
LABEL 134250-01-CHT
ADAPTOR 82134-01-000 (2)
NUT 82136-01-000 (2)
SCREW 667-10-08U (2)

ORG FROM SATELLITE DISH

RED FROM POWER CORD CONN.

ORG/ORG TO TV WALLPLATE

DETAIL CP

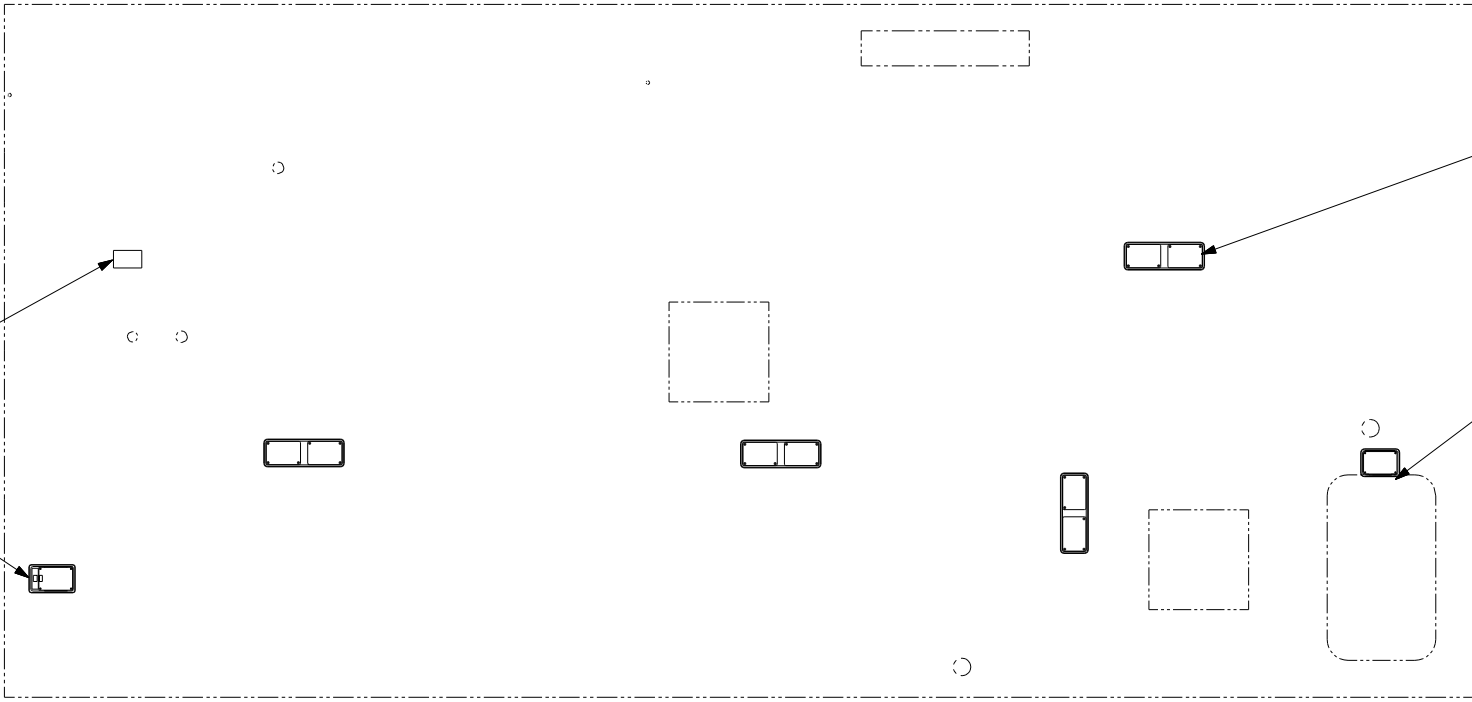
- (48Q) SATELLITE DISH & ELEV.SENSOR
- (1D5) ENTERTAINMENT CENTR/EXT W/CD
- (43B) TV-25"STEREO/VIDEO SEL SYS
- (1A3) GENERATOR WITHOUT
- (40N) GEN-4.0KW-ONANGAS-MICROQUIET
- (23T) DRAINAGE SYSTEM-HEATED
- (1E2) ENTRANCE STEP-ELEC.
- (78A) TV-13" W/VCP-12V

- (3) SENSOR SUPPLIED WITH SATELLITE ASSEMBLY
- (2) SEE WIRING INSTL-TV/VCR,FRONT FOR ADDITIONAL INFORMATION.
- (1) NOT USED WITH (43B)

FOR ELECTRICAL TORQUE SPECIFICATIONS SEE DWG NO. 128783-01-000

FOR ELECTRICAL CALLOUTS SEE DWG NO. 121339-01-000

FIRST USED	04 324F
DO NOT SCALE DRAWING	
TITLE:	WIRING INSTL-BODY,12V
SHEET 3	PART NO 145472

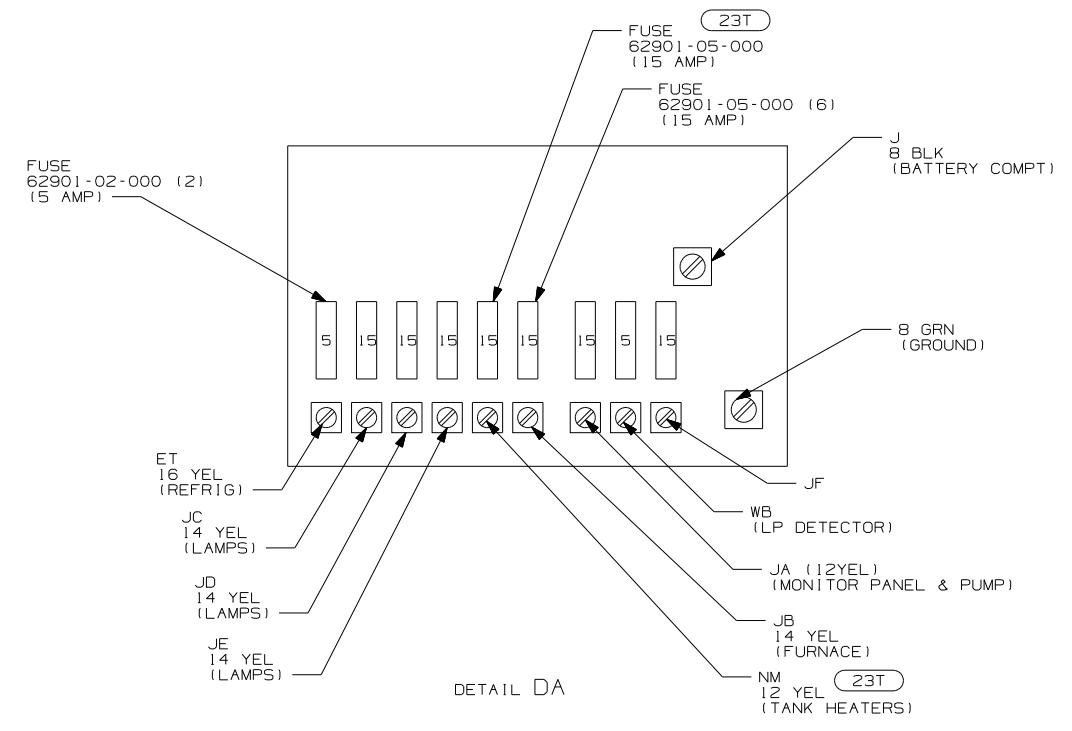


SATELLITE ELEVATION SENSOR
SEE DETAIL CR

2 L01-2

LFSN2
4

LSH-1



2 NOT USED WITH 43B

1. SEE ROOF ASSEMBLY FOR ADDITIONAL INFORMATION.

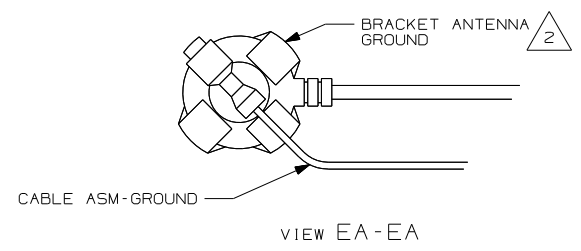
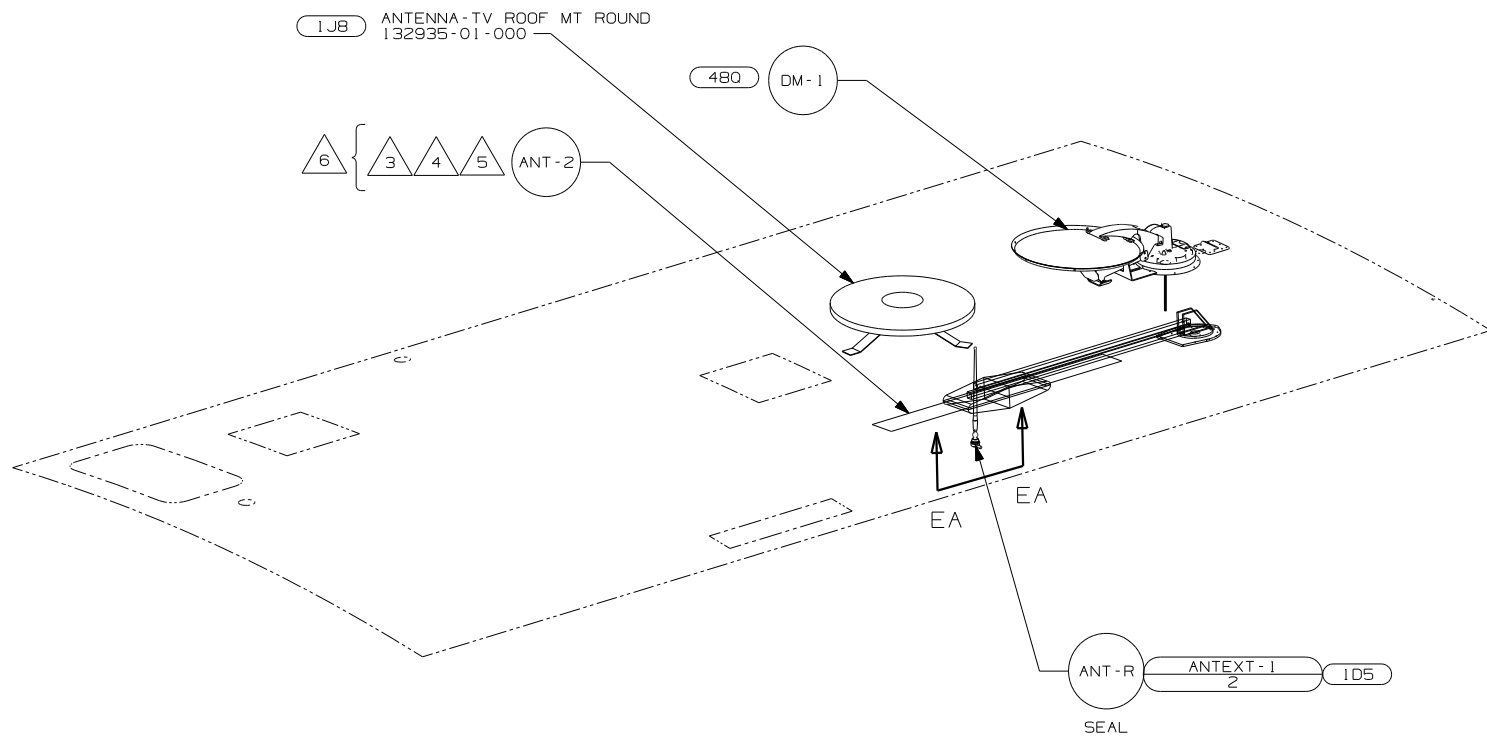
NOTES:

FOR ELECTRICAL TORQUE SPECIFICATIONS SEE DWG NO. 128783-01-000

FOR ELECTRICAL CALLOUTS SEE DWG NO. 121339-01-000

- 43B TV-25"STEREO/VIDEO SEL SYS
- 23T DRAINAGE SYSTEM-HEATED
- 265 CODES/STANDARDS-CSA/CMVSS
- 1B1 CODES/STANDARDS USA
- 1B1 265

FIRST USED	04 324F
DO NOT SCALE DRAWING	
TITLE:	WIRING INSTL-BODY,12V
SHEET 4	PART NO 145472



- 6 NOT USED WITH 1JB
- 5 ADD RUBBER BUMPER TO ROOF UNDER EACH END OF ANTENNA IN DOWN POSITION WHICH MAY COME INTO CONTACT WITH ROOF.
- 4 LOCATE CLAMP TO RETAIN CABLE BUT NOT TO RESTRICT ANTENNA TRAVEL.
- 3 SEE DRAWING 76319-01-000 FOR INSTALLATION OF TV ANTENNA.
- 2 WRAP BRACKET LEGS AROUND ANTENNA BASE.

1. CONNECTOR-PLUG,TRAILER 113589-01-000 TO BE SUPPLIED LOOSE IN COACH WITH TRAILER TOW PACKAGE.
NOTES:

- 1JB TV ANTENNA-OMNIDIRECTIONAL
- 1D5 ENTERTAINMENT CENTER/EXT W/CD
- 480 SATELLITE DISH
- 265 CODES/STANDARDS-CSA/CMVSS
- 1B1 CODES STANDARDS/USA
- 1B1 265

FOR ELECTRICAL TORQUE SPECIFICATIONS SEE DWG NO. 128783-01-000

(X-X) FOR ELECTRICAL CALLOUTS SEE DWG NO. 121339-01-000

FIRST USED	04 324F
DO NOT SCALE DRAWING	
TITLE:	WIRING INSTL-BODY,12V
SHEET 5	PART NO 145472