

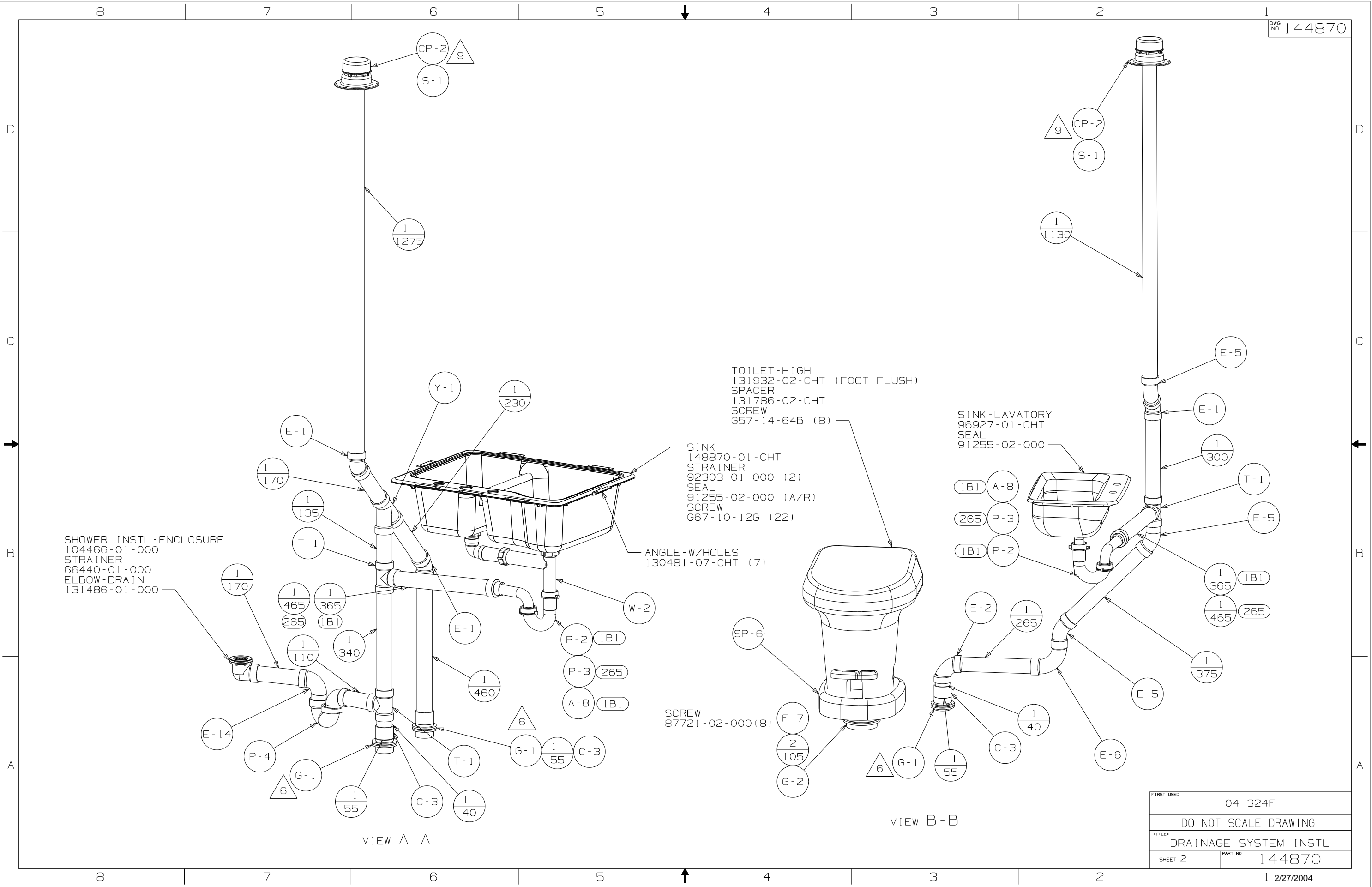
- 9. VENT PIPE MUST PROJECT 51 MM MIN AND 64 MM MAX ABOVE ROOF FOR PROPER FIT AND FUNCTION.
- 8. SEE DRAWING 61607-01-000 FOR INSTL OF GROMMETS.
- 7. SEAL ALL AROUND SHOWER WITH SILICONE.
- 6. SECURE VENT TUBES TO FLOOR WITH CLAMP 62401-02-000 (3); SCREW G67-10-12B (3); AND BRACKET 136878-01-CHT (3).
- 5. SECURE PIPES TO CABINET USING WIRE TIE 108046-02-000 AND SCREW G67-10-12B (8).
- 4. ALL EXTERIOR OPENINGS AROUND PIPE TO BE SEALED WITH 110744-01-000.
- 3. ALL PIPE AND FITTINGS TO BE ASSEMBLED WITH SOLVENT 4020-01-000.
- 2. SLOPE OF TRAP ARM MUST BE 6 PER 305.
- 1. SLOPE OF HORIZONTAL PIPING TO BE 6 PER 305 MIN.

NOTES:

- (1B1) CODES/STANDARDS-USA
- (265) CODES/STDS-CSA/CMVSS
- (23T) HEATED HOLDING TANKS

<b>WINNEBAGO</b>		COPYRIGHT 2004 WINNEBAGO INDUSTRIES, INC.	
DFTR	ORIG. DATE	ALL DIMENSIONS ARE IN MILLIMETERS	
CHKR		FIRST USED	
P.E.		04 324F	
M.E.		UNSPECIFIED TOLERANCES ARE:	
DSNR		MATERIAL:	
		WHOLE DIM (X) :	3
		ONE-PLACE (X,X) :	
		TWO-PLACE (X,XX) :	
		ANGLE :	
		THIRD ANGLE PROJECTION	
DO NOT SCALE DRAWING			
TITLE: DRAINAGE SYSTEM INSTL			
SHEET 1 OF 3	PART NO	144870	

FOR  
DRAINAGE  
CALLOUTS  
SEE DWG NO.  
116229-01-000



SHOWER INSTL-ENCLOSURE  
104466-01-000  
STRAINER  
66440-01-000  
ELBOW-DRAIN  
131486-01-000

TOILET-HIGH  
131932-02-CHT (FOOT FLUSH)  
SPACER  
131786-02-CHT  
SCREW  
G57-14-64B (8)

SINK  
148870-01-CHT  
STRAINER  
92303-01-000 (2)  
SEAL  
91255-02-000 (A/R)  
SCREW  
G67-10-12G (22)

SINK-LAVATORY  
96927-01-CHT  
SEAL  
91255-02-000

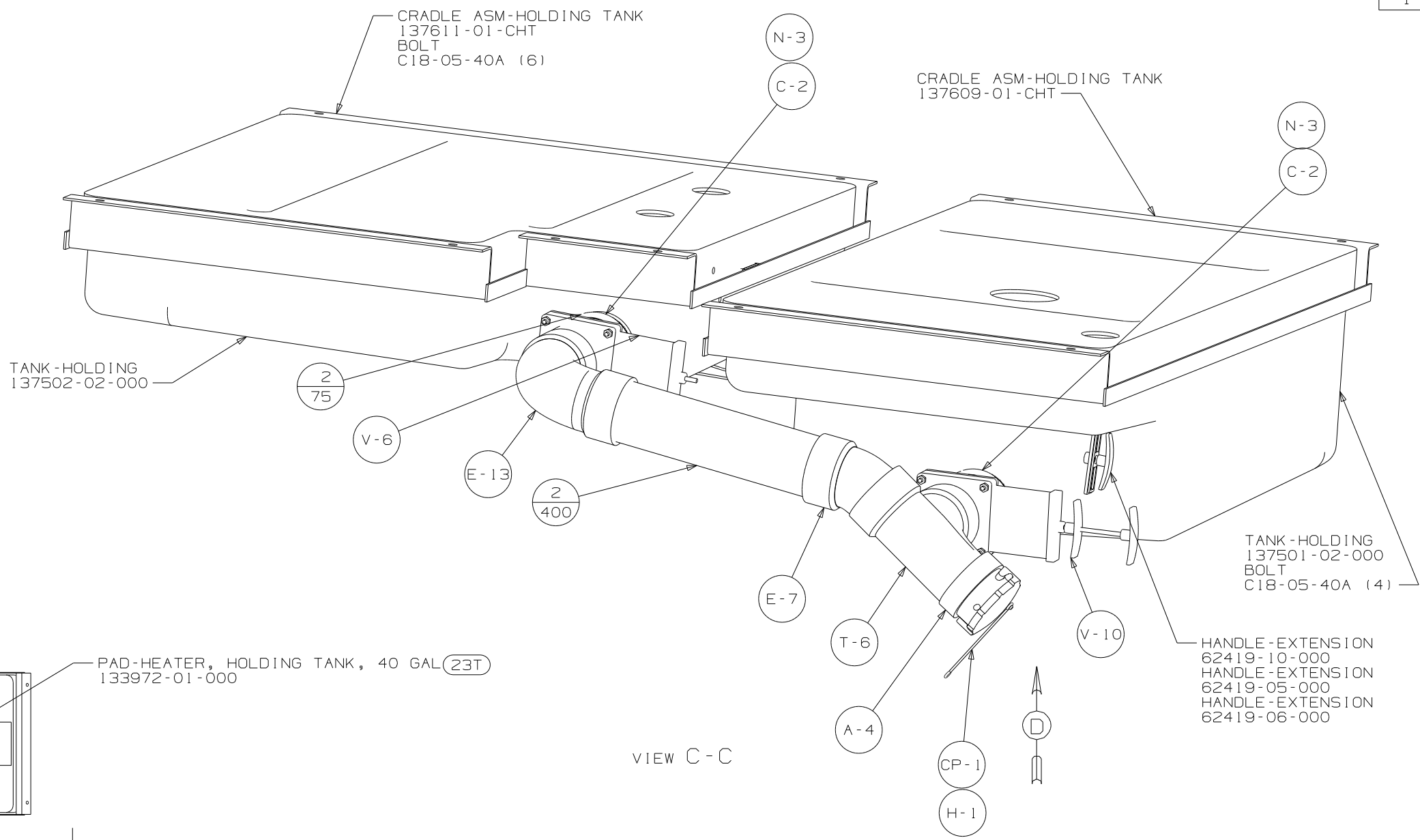
ANGLE-W/HOLES  
130481-07-CHT (7)

SCREW  
87721-02-000 (8)

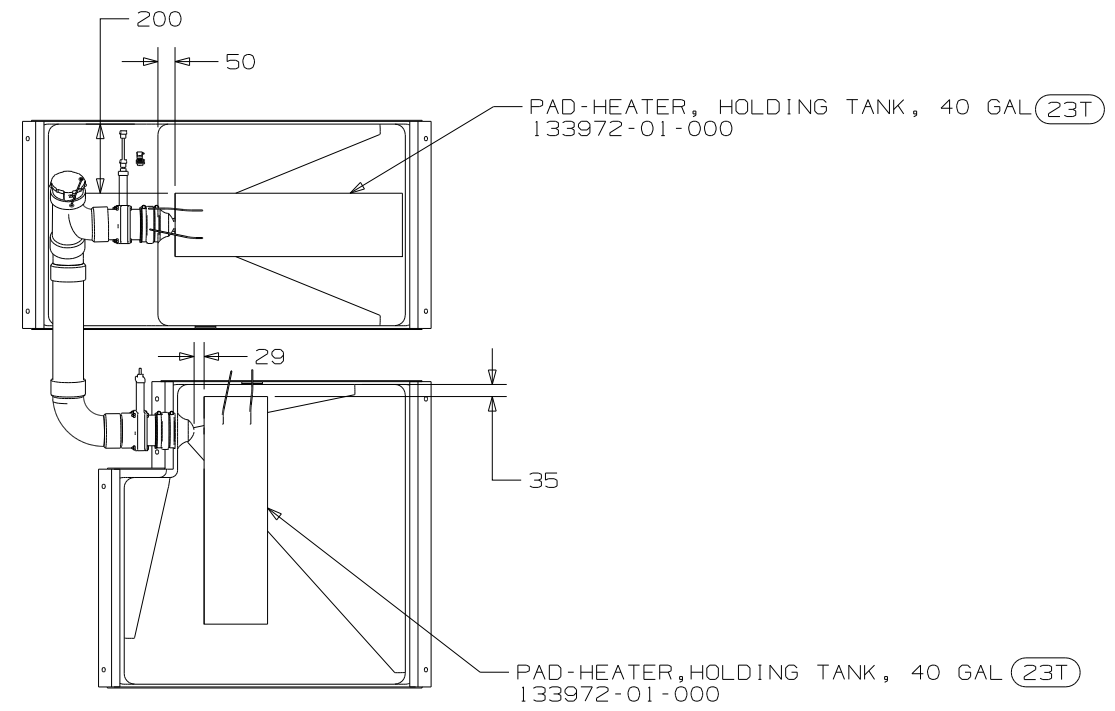
VIEW A-A

VIEW B-B

FIRST USED	04 324F
DO NOT SCALE DRAWING	
TITLE	DRAINAGE SYSTEM INSTL
SHEET 2	PART NO 144870

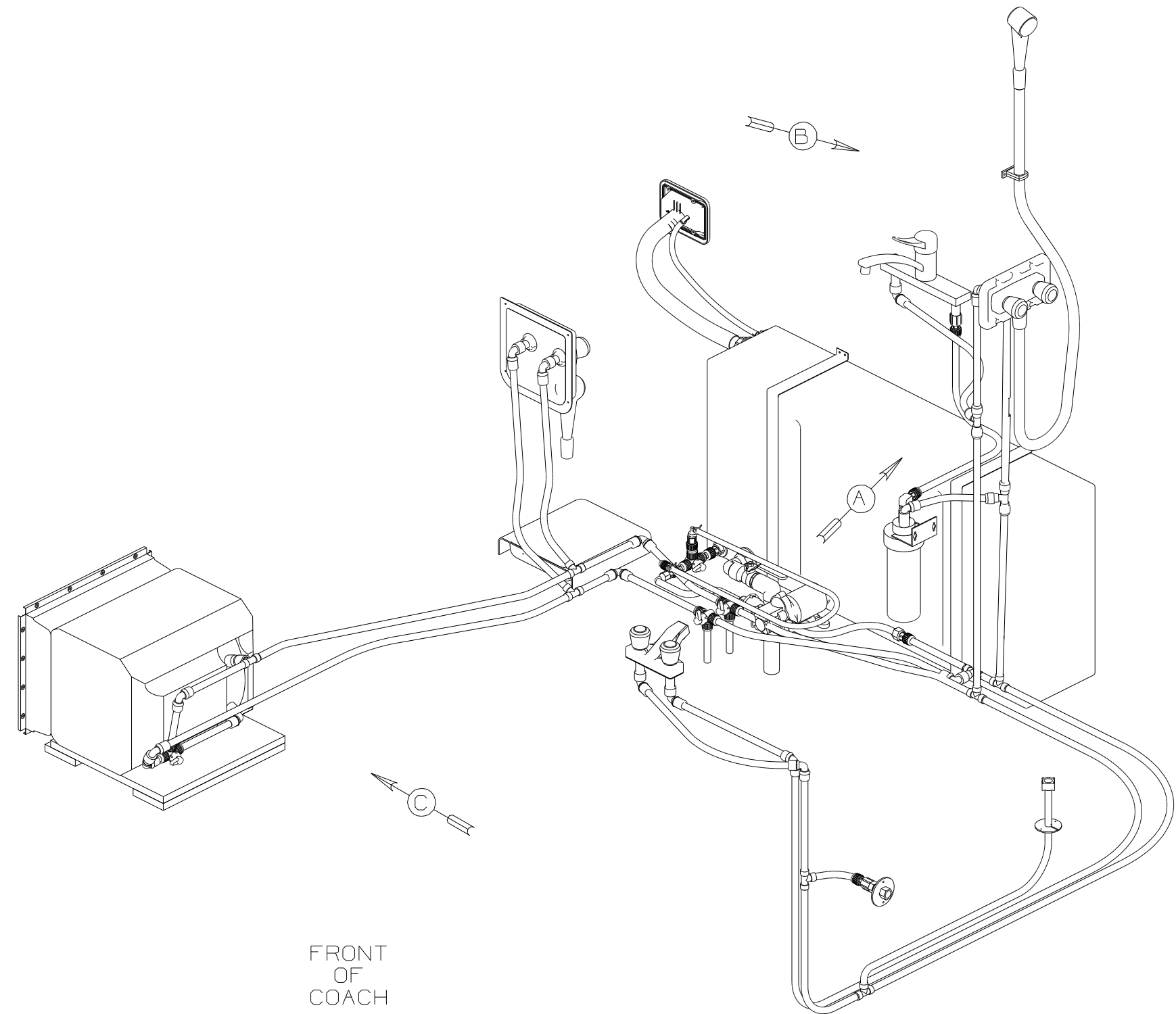


VIEW C-C



VIEW D

FIRST USED	04 324F
DO NOT SCALE DRAWING	
TITLE	DRAINAGE SYSTEM INSTL
SHEET 3	PART NO 144870



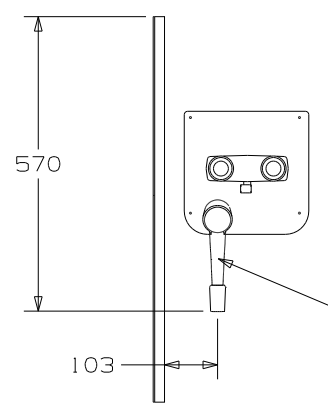
- NOTES:
- 5 ADD TEFLON TAPE 10405-03-000 TO FITTING.
  - 4 ADD TEFLON TAPE 10405-01-000 TO FITTING.
  - 3. ALL TUBING TO BE SECURED AT 1200 INTERVALS MAXIMUM WITH CLAMP 10495-01-000 OR CLIP 9151-01-000 AND SCREW G67-10-12B.
  - 2. TUBING TO BE INSTALLED WITH SUFFICIENT SLOPE TO PROVIDE DRAINAGE TO NEAREST VALVE.
  - 1. PLASTIC FITTINGS TO BE SEALED WITH SEALANT 84456-01-000.

- 29B WATER PURIFIER
- 501 WATER PURIFITER WITHOUT
- 1J4 EXT WASH STATION W/O
- 64R EXTERIOR WASH STATION
- 53F WATER HEATER-ELEC. IGNITION

FRONT  
OF  
COACH

(X-X)  
FOR  
WATER  
CALLOUTS  
SEE DWG NO  
116230-01-000

<b>WINNEBAGO</b>		COPYRIGHT 2004 WINNEBAGO INDUSTRIES, INC.	
DFTR	ORIG. DATE	ALL DIMENSIONS ARE IN MILLIMETERS	
CHKR		FIRST USED	
P.E.		04 324F	
M.E.		UNSPECIFIED TOLERANCES ARE:	
DSNR		MATERIAL:	
		WHOLE DIM (X) :	7
		ONE-PLACE (X.X) :	
		TWO-PLACE (X.XX) :	
		ANGLE :	
THIRD ANGLE PROJECTION		DO NOT SCALE DRAWING	
TITLE: WATER SYSTEM INSTL			
SHEET 1 OF 3		PART NO 144871	



VIEW D  
64R

SHOWER-SPACER  
139682-01-CHT  
SCREW  
G67-10-08U(4)

F-4  
SCREW  
G11-08-12U (4)  
SEALANT

STRAP-TANK, WATER  
138404-01-CHT (2)  
SCREW  
G67-10-12U(8)

TANK-WATER  
137734-02-CHT  
PLYWOOD  
846-51-172

VALVE-BALL 1"  
132483-01-000  
ELBOW  
132782-01-000  
ELBOW  
132484-01-000

PAN DRIP, EXTERIOR  
114293-01-CHT  
SCREW  
G67-10-08U(2)

TO GALLEY/SHOWER

TO GALLEY

TO WATER HEATER

1J4 TU10 1265  
64R TU10 1450

TU-9 1400 64R  
TU-9 1540 1J4

TU10 610 64R  
TU-9 75 64R  
T-20 64R  
TU-9 225 64R

TU-9 30  
TU10 235  
TU-9 100  
TU10 100  
TU13 200

TU-9 630  
TU10 720

TU-9 30  
T-22

VIEW A

FIRST USED	04 324F
DO NOT SCALE DRAWING	
TITLE:	WATER SYSTEM INSTL
SHEET 2	PART NO 144871

WATER HEATER  
51391-03-000 (53F)  
DOOR  
78506-01-CHT  
AL EXTR  
2726-01-210 (2)  
2726-01-212 (2)  
SCREW  
639-10-169 (18)  
SEALANT

FAUCET  
79563-03-CHT  
PANEL  
78498-01-CHT  
SCREW  
G11-08-12U (4)  
COVER  
78500-01-CHT (4)

FAUCET  
104114-05-CHT  
SPACER-FAUCET  
137079-02-01A

(29B) FILTER-PURIFIER  
87200-01-000  
CARTRIDGE  
87200-02-000  
SCREW  
667-10-12U (2)

PLATFORM ASM  
143705-01-000  
SCREW  
G11-08-24B (3)

VIEW B  
(501)

VIEW C

VIEW B

FIRST USED	04 324F
DO NOT SCALE DRAWING	
TITLE	WATER SYSTEM INSTL
SHEET 3	PART NO 144871

