

- (1B1) CODES/STANDARDS-USA
- (265) CODES/STDS-CSA/CMVSS
- (23T) HEATED HOLDING TANKS PACKAGE
- (23F) SHOWER SURROUND

- 6 VENT PIPE MUST PROJECT 51 MIN AND 64 MAX ABOVE ROOF FOR PROPER FIT AND FUNCTION.
5. SEAL AROUND SHOWER WITH SILICONE.
4. ALL EXTERIOR OPENINGS AROUND PIPE TO BE SEALED WITH 100744-01-000.
3. ALL PIPE AND FITTINGS TO BE ASSEMBLED WITH SOLVENT 4020-01-000 (US), 4020-02-000 (CAN).
2. SLOPE OF TRAP ARM MUST BE 6 PER 305 mm.
1. SLOPE OF HORIZONTAL PIPING TO BE MIN 3 PER 305 mm.

NOTES:

WINNEBAGO		COPYRIGHT 2004 WINNEBAGO INDUSTRIES, INC.	
DFTR	ORIG. DATE	ALL DIMENSIONS ARE IN MILLIMETERS	
CHKR		FIRST USED	
P.E.		04 322R	
M.E.		UNSPECIFIED TOLERANCES ARE:	
DSNR		MATERIAL:	
		WHOLE DIM (X) :	7
		ONE-PLACE (X.X) :	
		TWO-PLACE (X.XX) :	
		ANGLE :	
		THIRD ANGLE PROJECTION	
DO NOT SCALE DRAWING			
TITLE:		DRAINAGE SYSTEM INSTL	
SHEET 1 OF 3	PART NO	147212	

(X-X)
FOR
DRAINAGE
CALLOUTS
SEE DWG NO
116229-01-000

FRONT
OF
COACH

8

7

6

5

4

3

2

1

D

D

C

C

B

B

A

A

8

7

6

5

4

3

2

SINK
 148870-03-CHT
 STRAINER
 92303-01-000 (2)
 ANGLE
 130481-07-CHT (7)
 SCREW
 142261-02-CHT (16)
 WASHER
 127440-02-CHT (2)
 SEAL (A/R)

SINK
 96927-01-CHT
 SEAL
 91255-02-000 (A/R)

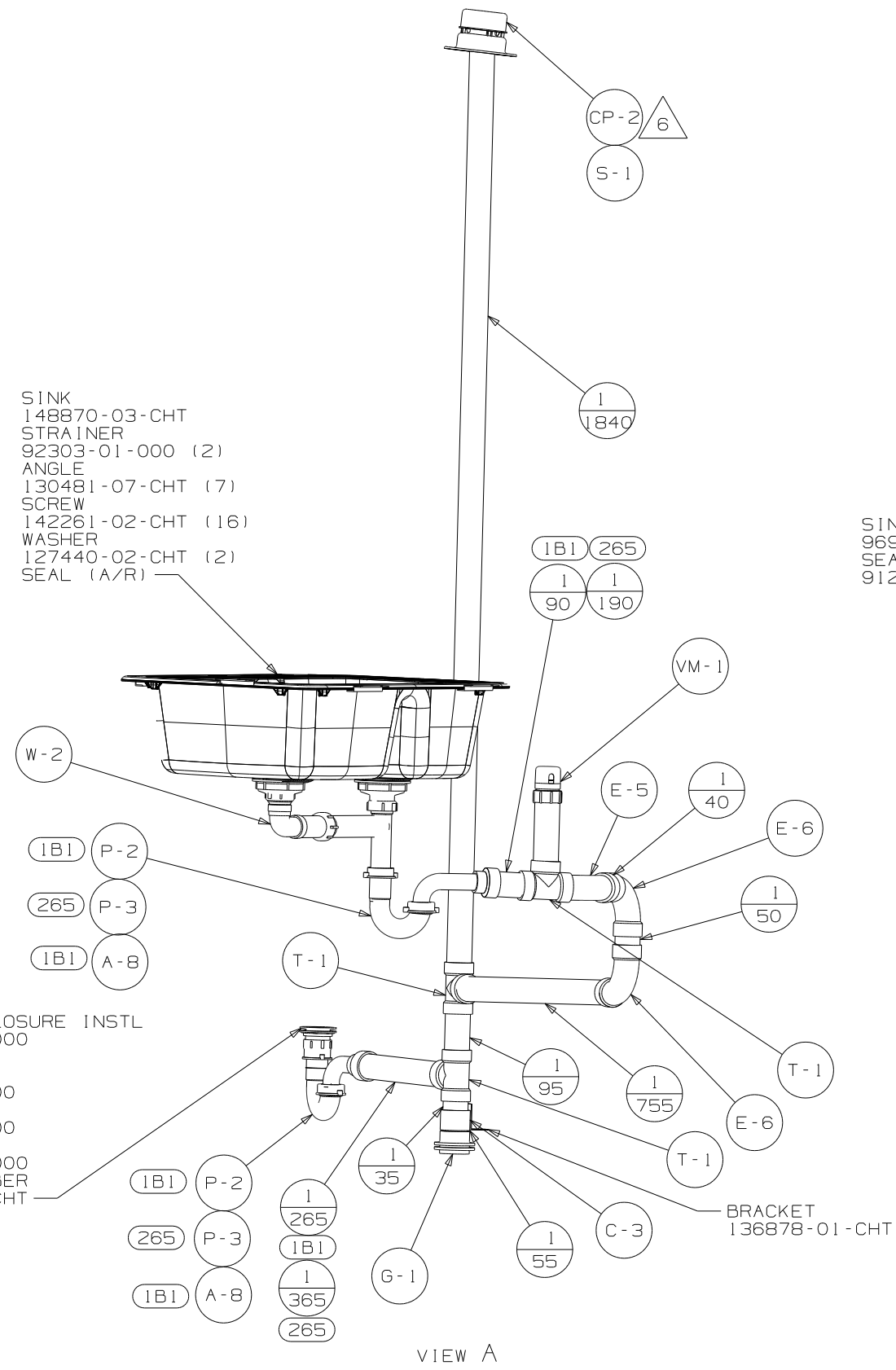
SP-6 TOILET-HIGH
 147421-01-CHT

43F SHOWER ENCLOSURE INSTL
 104466-01-000
 SEALANT
 STRAINER
 66440-01-000
 TAILPIECE
 11069-06-000
 NUT
 130403-01-000
 WASHER-RUBBER
 127440-02-CHT

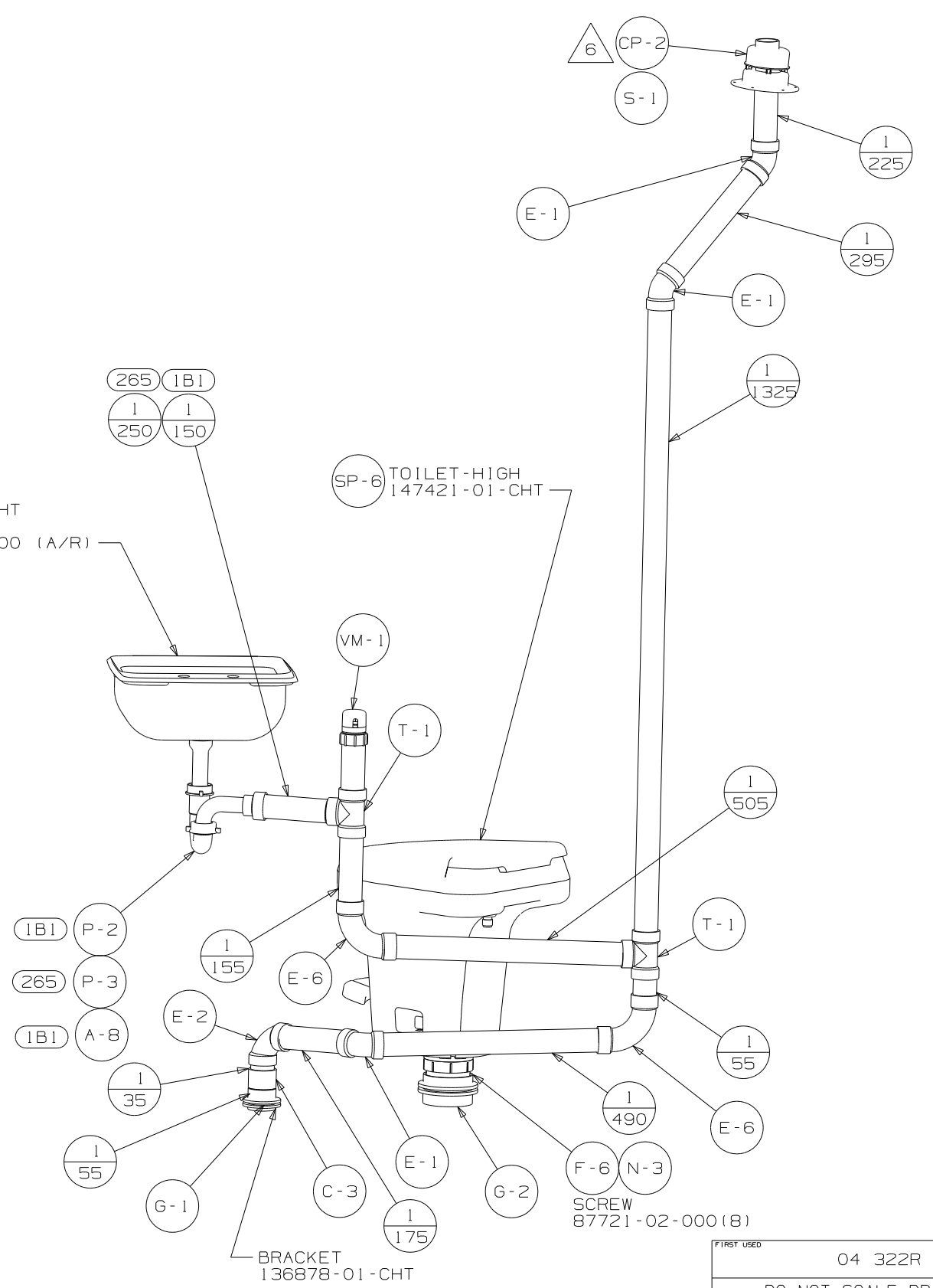
BRACKET
 136878-01-CHT

BRACKET
 136878-01-CHT

SCREW
 87721-02-000 (8)

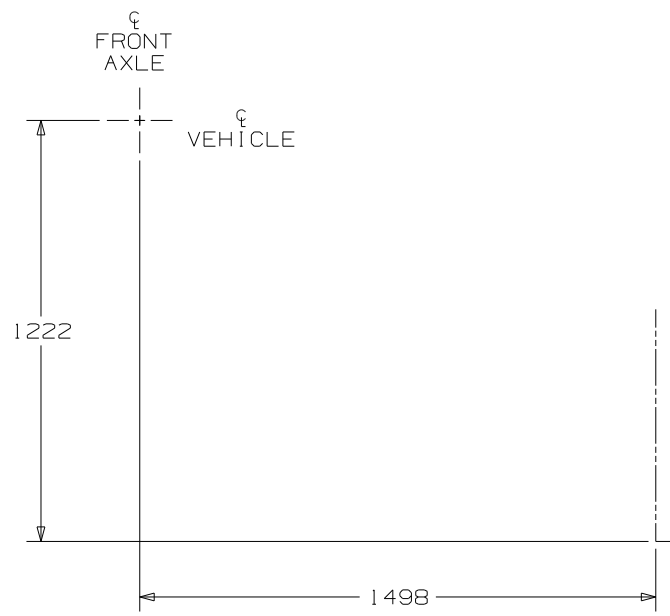


VIEW A

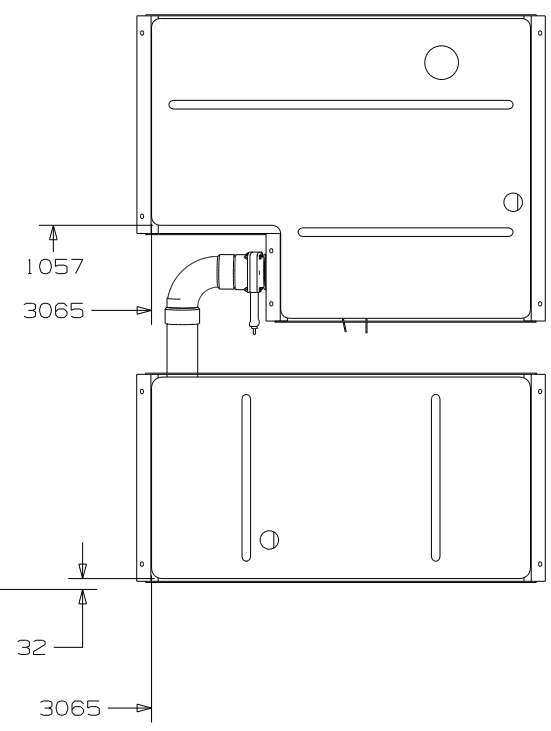


VIEW B

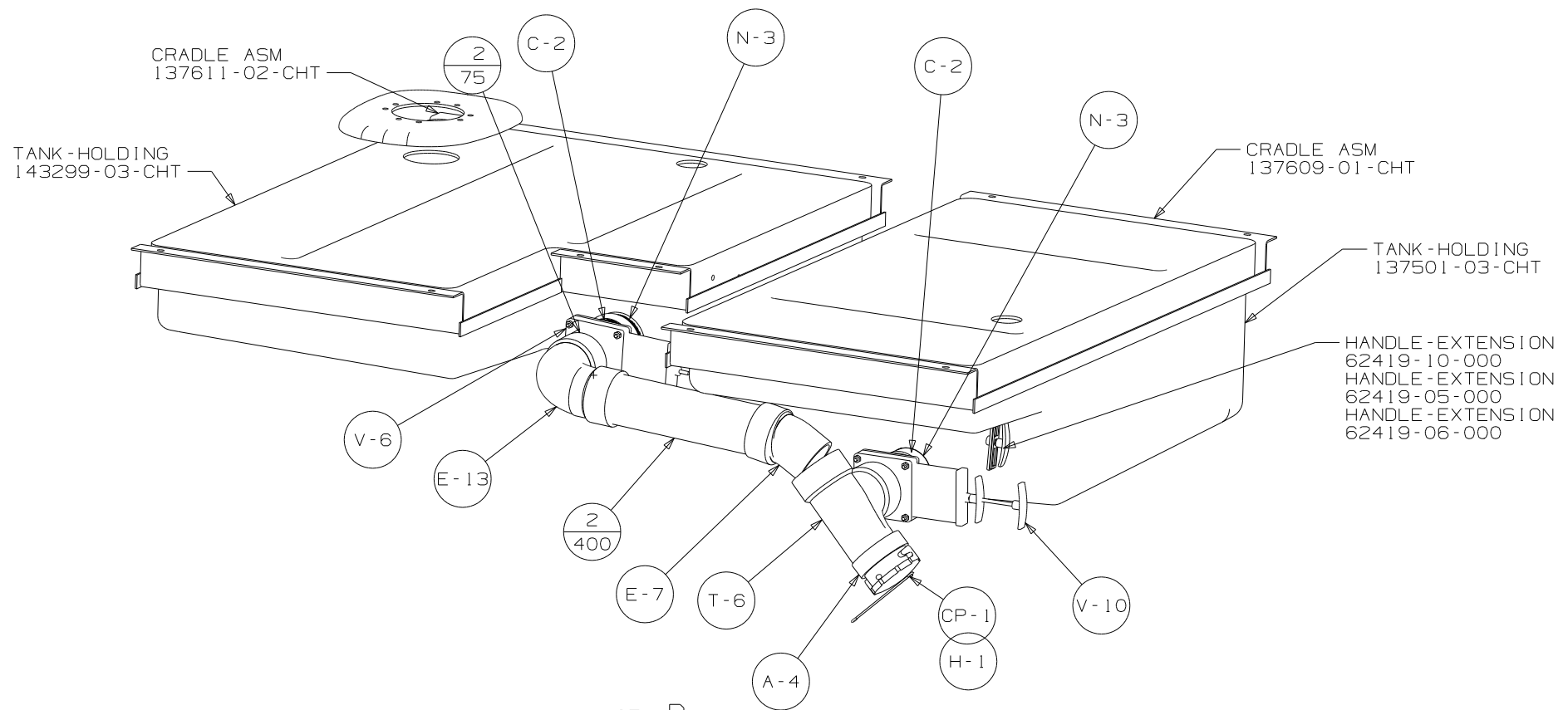
FIRST USED	04 322R
DO NOT SCALE DRAWING	
TITLE	DRAINAGE SYSTEM INSTL
SHEET 2	PART NO 147212



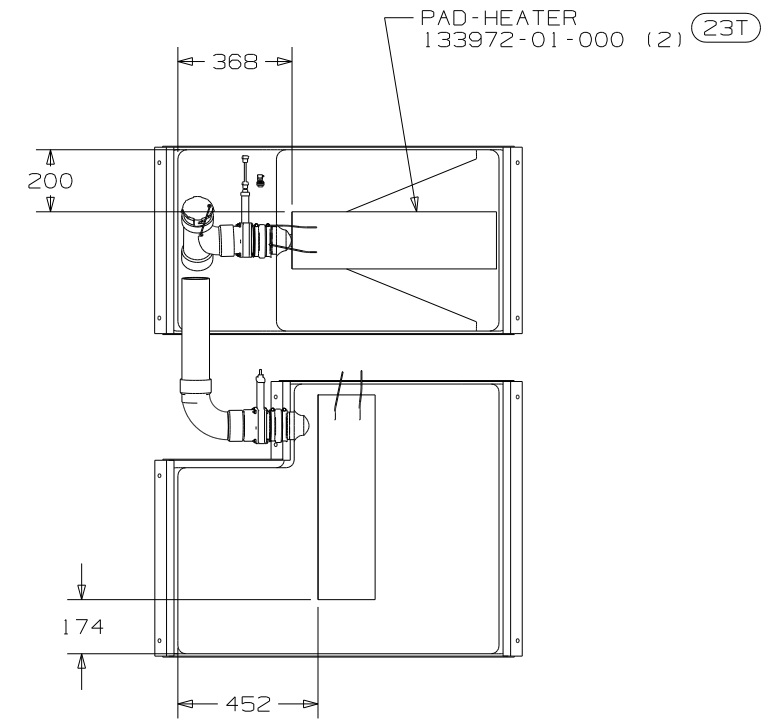
VIEW C



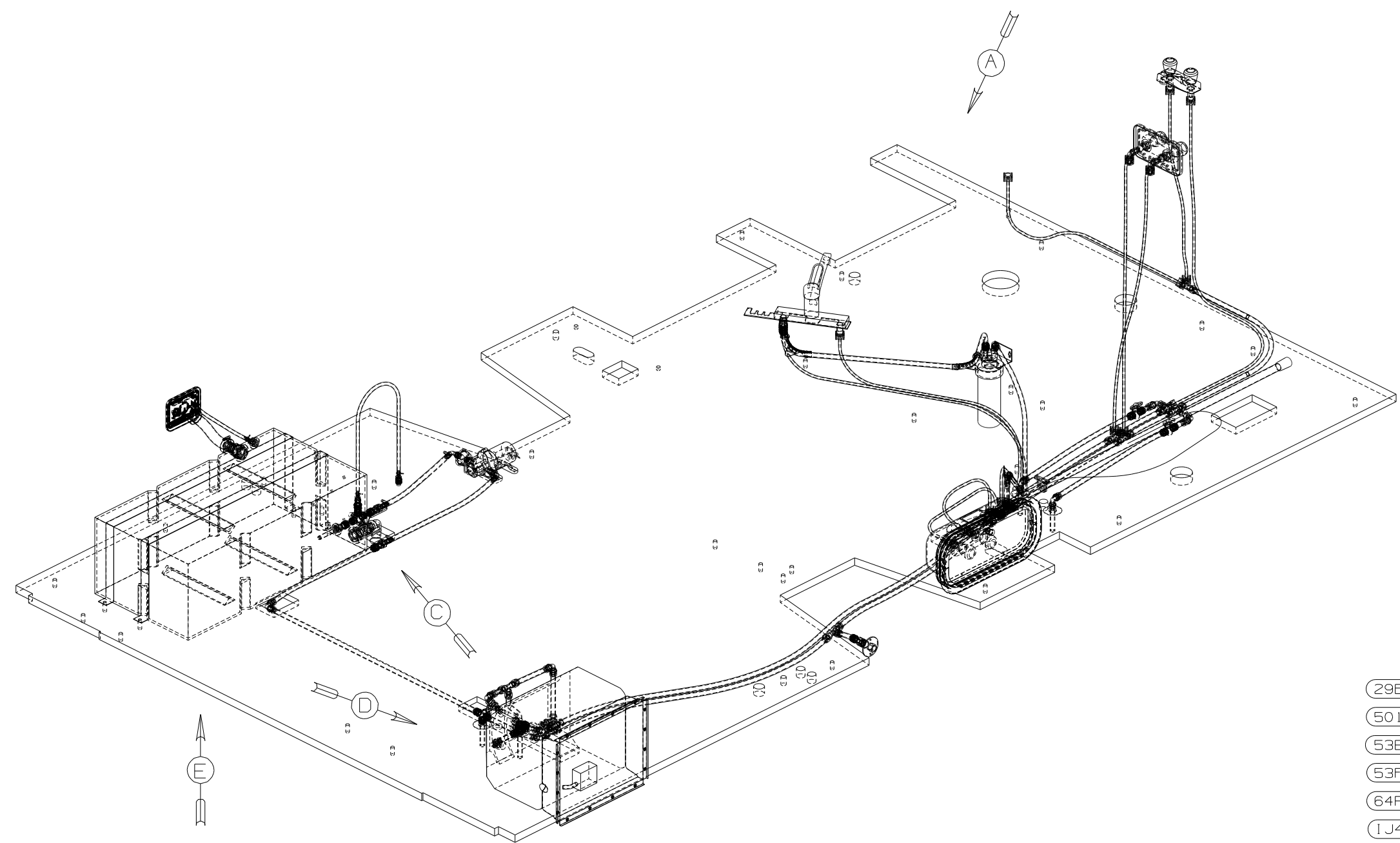
VIEW E



VIEW D



FIRST USED	04 322R
TITLE	DO NOT SCALE DRAWING
	DRAINAGE SYSTEM INSTL
SHEET 3	PART NO 147212



- (29B) WATER PURIFIER
- (501) WATER PURIFIER W/O
- (53E) WTR SYS WINTERIZING PKG
- (53F) WATER HEATER-ELEC. IGN.
- (64R) EXT WASH STATION
- (1J4) EXT WASH STATION-WITHOUT

- NOTES:
- 7 ADD ANTI-RATTLE CLAMP 10495-01-000.
 - 6 ADD TEFLON TAPE 10405-02-000.
 - 5 ADD TEFLON TAPE 10405-02-000.
 - 4 FLUSHING SYSTEM REQUIRES 125697-06-000 INSTRUCTION SHEET.
 - 3. ALL TUBING TO BE SECURED AT 1200 INTERVALS MAXIMUM WITH CLAMP 10495-01-000 OR CLIP 9151-01-000 AND SCREW G67-10-12B.
 - 2. TUBING TO BE INSTALLED WITH SUFFICIENT SLOPE TO PROVIDE DRAINAGE TO NEAREST VALVE.
 - 1. PLASTIC FITTINGS TO BE SEALED WITH SEALANT 84456-01-000.

WINNEBAGO		COPYRIGHT 2004 WINNEBAGO INDUSTRIES, INC.	
DFTR	ORIG. DATE	ALL DIMENSIONS ARE IN MILLIMETERS	
CHKR		FIRST USED	
P.E.		04 322R	
M.E.		UNSPECIFIED TOLERANCES ARE:	
DSNR		MATERIAL:	
		WHOLE DIM (X)	: 7
		ONE-PLACE (X.X)	:
		TWO-PLACE (X.XX)	:
		ANGLE	:
THIRD ANGLE PROJECTION		DO NOT SCALE DRAWING	
TITLE: WATER SYSTEM INSTL			
SHEET 1 OF 3		PART NO 147210	

(X-X)
FOR
WATER
CALLOUTS
SEE DWG NO
116230-01-000

PANEL
78498-01-CHT
SCREW
G11-08-12B (4)
COVER
78500-01-CHT (4)

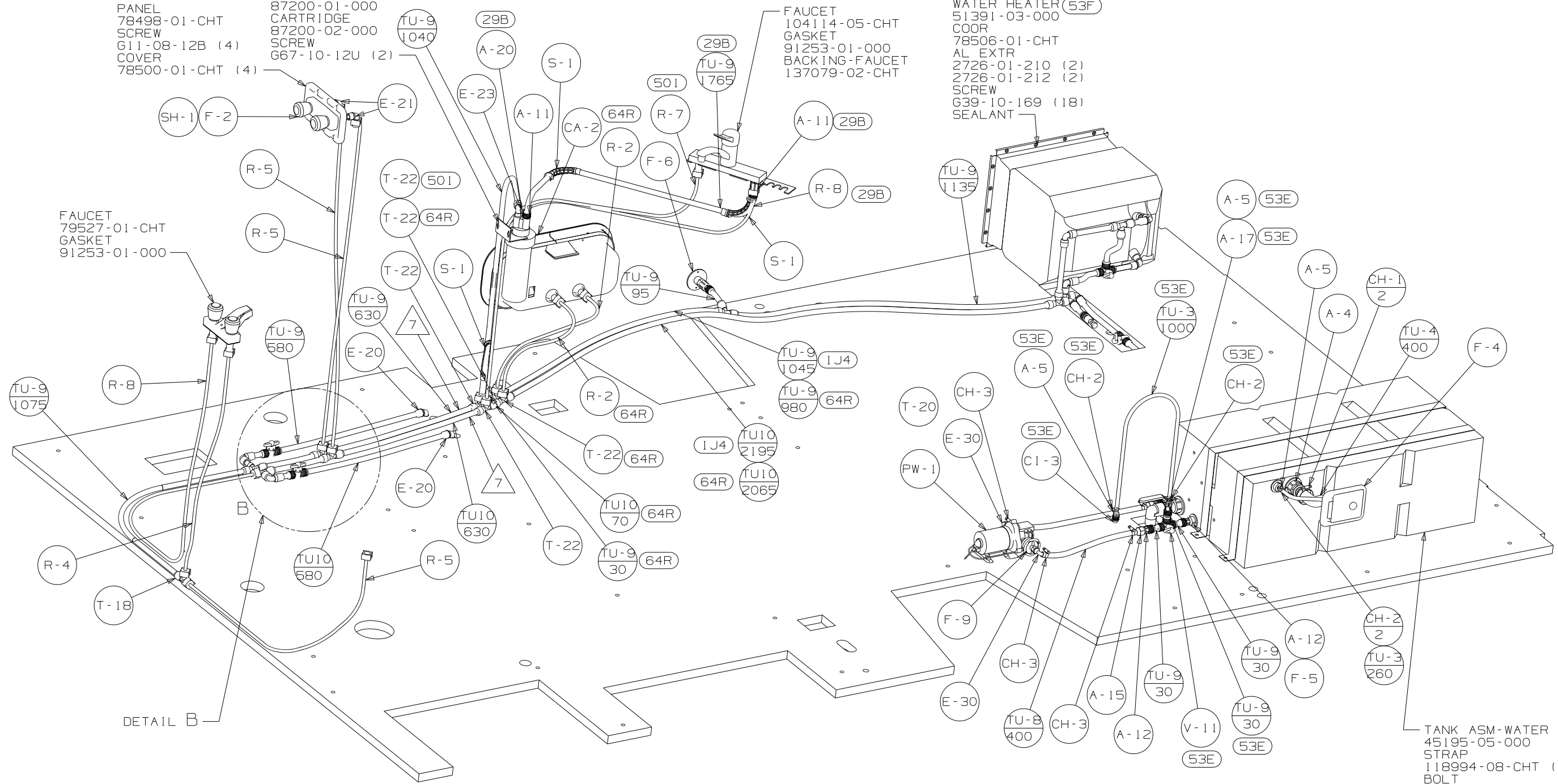
FILTER
87200-01-000
CARTRIDGE
87200-02-000
SCREW
G67-10-12U (2)

FAUCET
104114-05-CHT
GASKET
91253-01-000
BACKING-FAUCET
137079-02-CHT

WATER HEATER (53F)
51391-03-000
COOR
78506-01-CHT
AL EXTR
2726-01-210 (2)
2726-01-212 (2)
SCREW
G39-10-169 (18)
SEALANT

FAUCET
79527-01-CHT
GASKET
91253-01-000

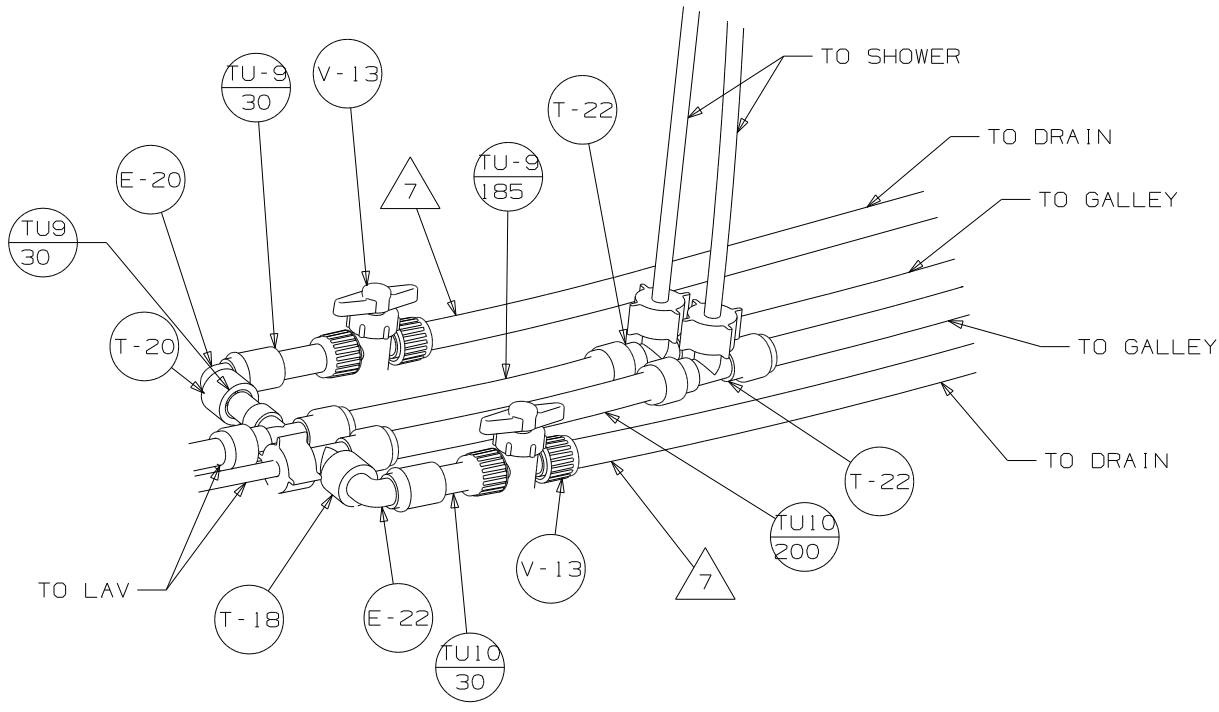
TANK ASM-WATER
45195-05-000
STRAP
118994-08-CHT (2)
BOLT
C18-05-40A (4)
NUT
D39-05-00B (4)



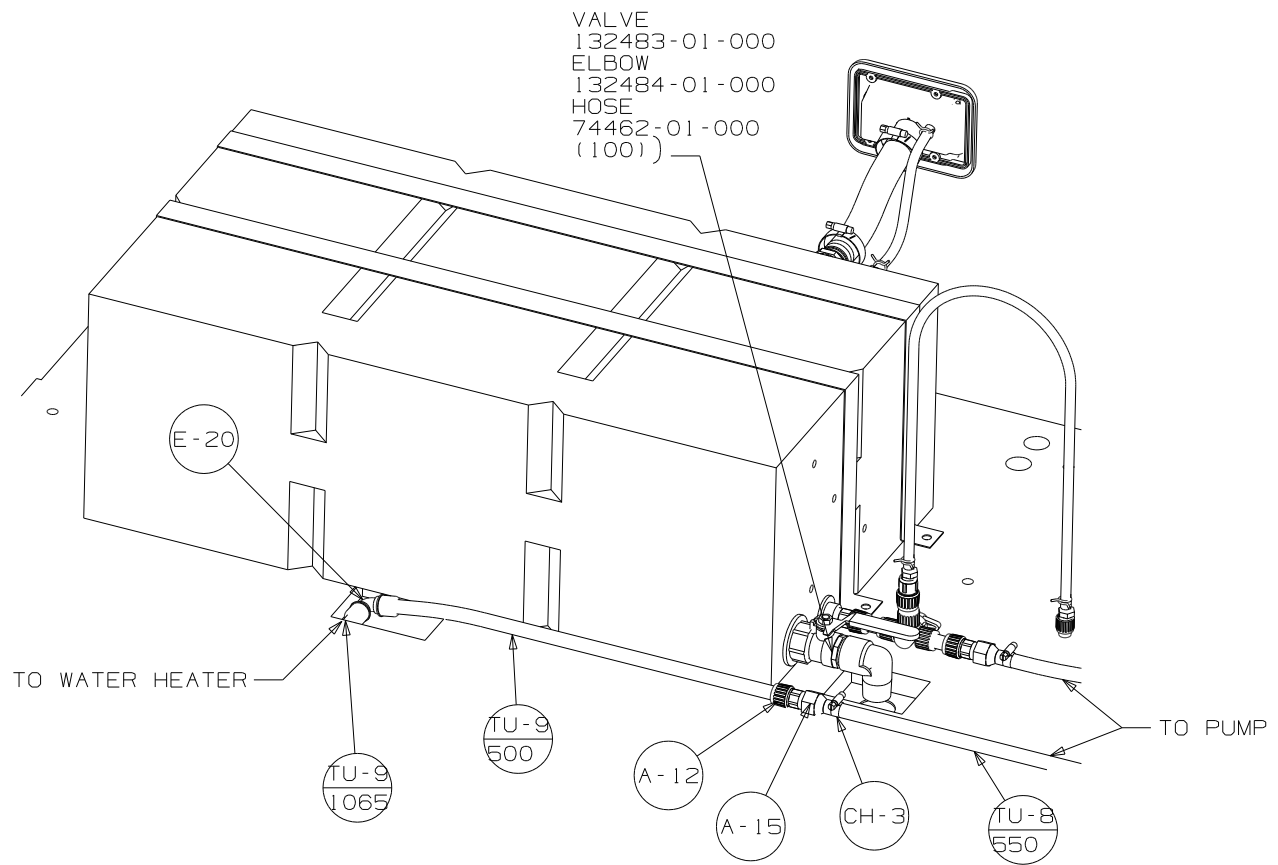
VIEW A

DETAIL B

FIRST USED	04 322R
TITLE	DO NOT SCALE DRAWING
TITLE	WATER SYSTEM INSTL
SHEET 2	PART NO 147210

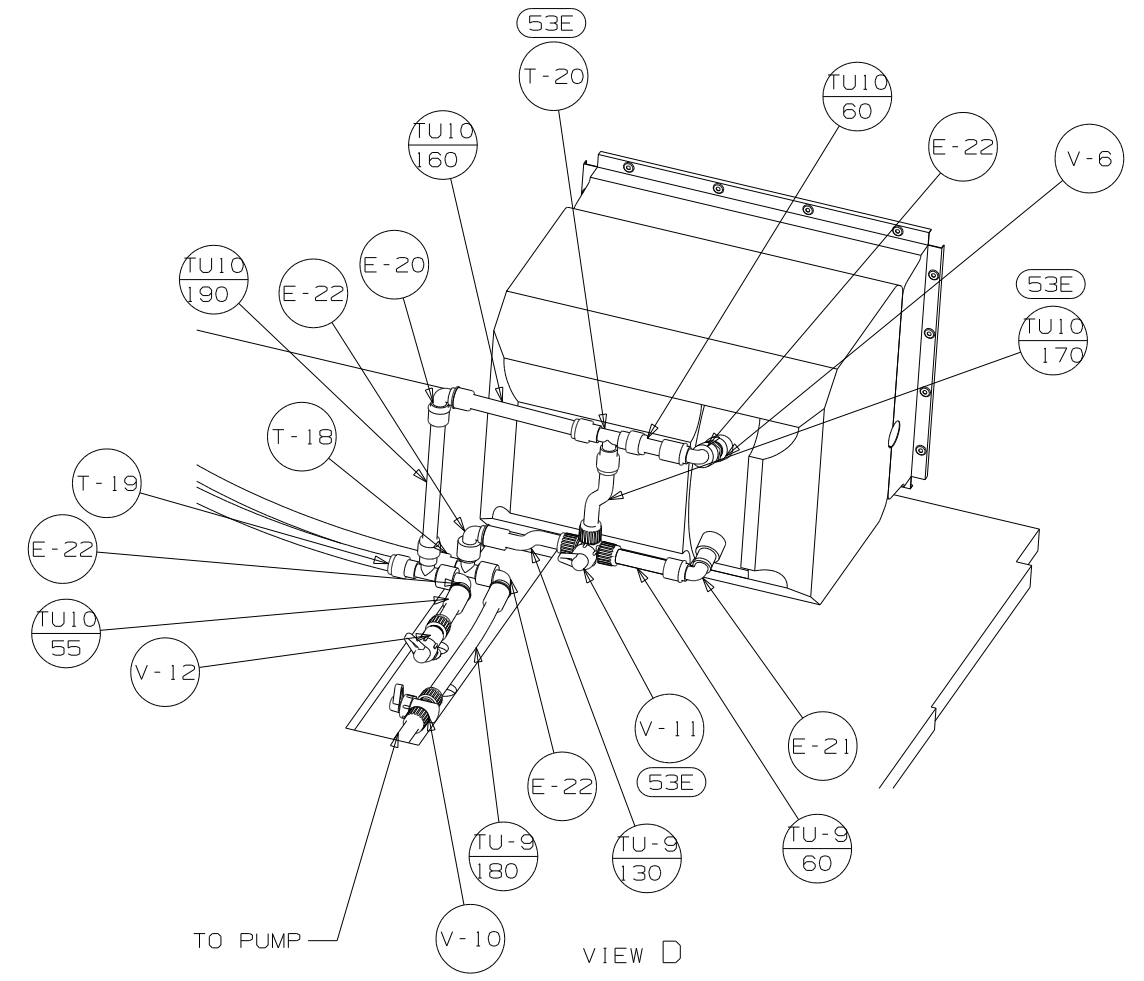


DETAIL B

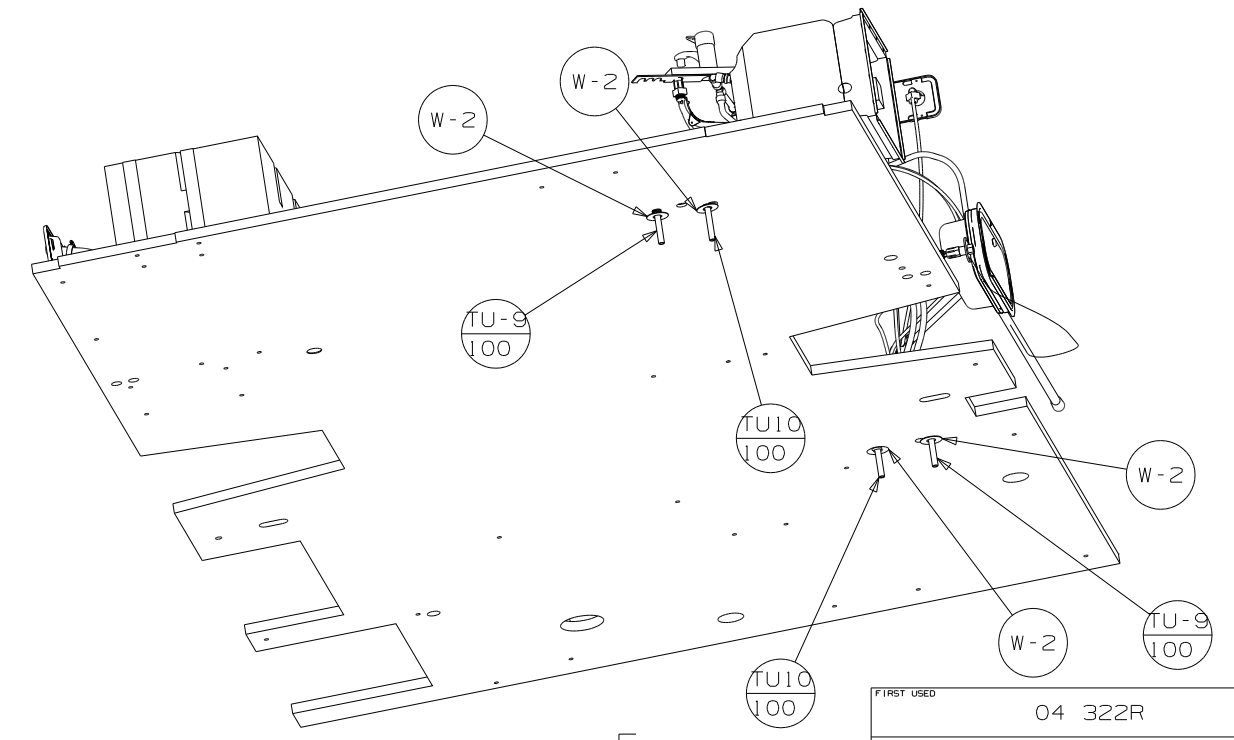


VIEW C

- VALVE
132483-01-000
- ELBOW
132484-01-000
- HOSE
74462-01-000
(1001)



VIEW D



VIEW E

FIRST USED	04 322R
TITLE	DO NOT SCALE DRAWING
TITLE	WATER SYSTEM INSTL
SHEET 3	PART NO 147210