

## Table of Contents

### 2004 Minnie/Spirit 322R Wiring Diagram Book

110 Volt Load Center/Auto Transfer Switch  
Antenna Installation, Radio and CB  
Auto Lamps Wiring Diagram  
Body, 110 Volt Wiring Diagram  
Body, 110 Volt Wiring Installation  
Body, 12 Volt Wiring Diagram  
Body, 12 Volt Wiring Installation  
Chassis Wiring Installation  
Dash Radio Installation  
Exterior Lamps Wiring Installation  
Holding Tank Monitor Panel  
Holding Tanks Wiring Diagram  
TV Coax Wiring Diagram  
TV/VCR, Side Wiring Installation

Electrical Parts Identification List  
Wiring Identification Guide

Complete Wiring Diagram Book (701674-73-006)



Copyright © 2003 Winnebago Industries, Inc.



**DANGER**

**Danger of electrical shock, burns or death.** Always remove all power sources before attempting any repair, service or diagnostic work. Power can be present from shore power, generator, inverter or battery. All power sources must be disabled and secured before performing any service.

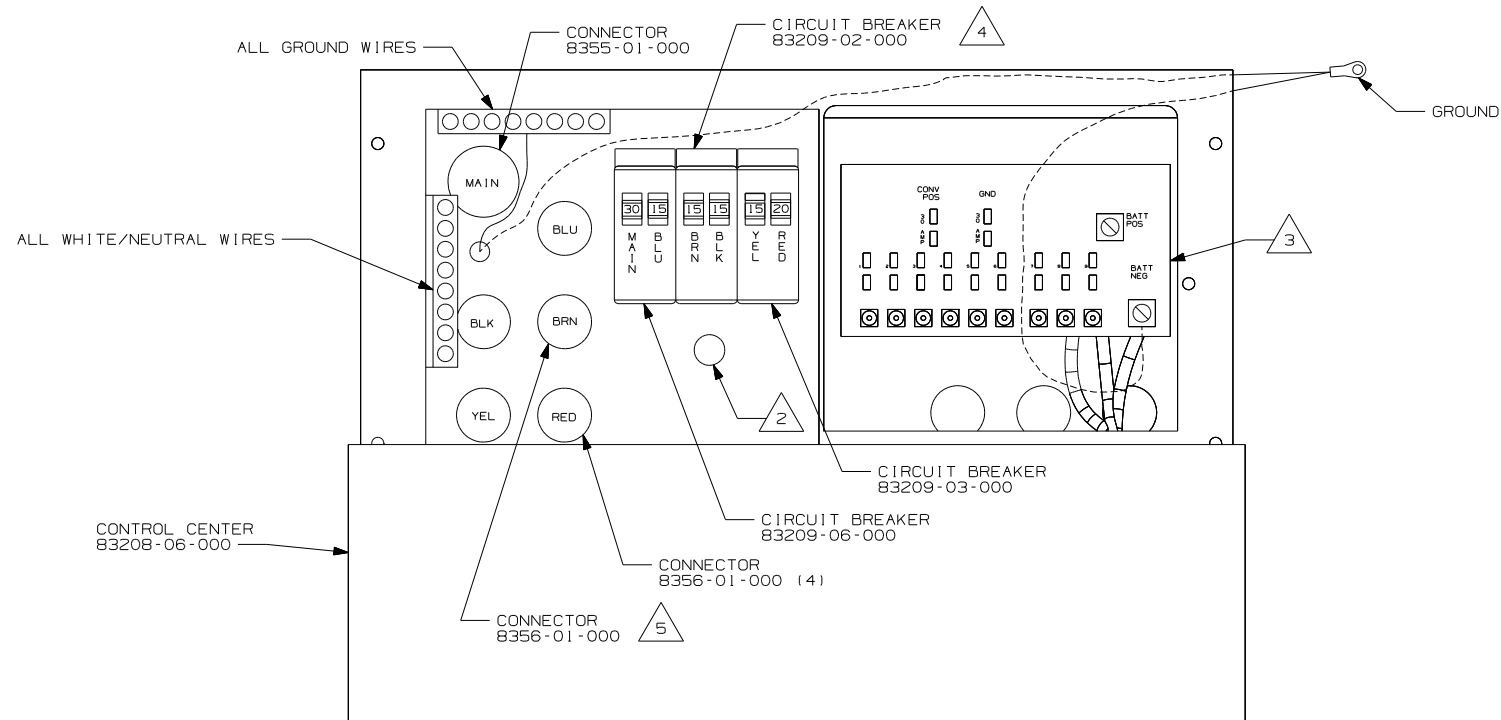
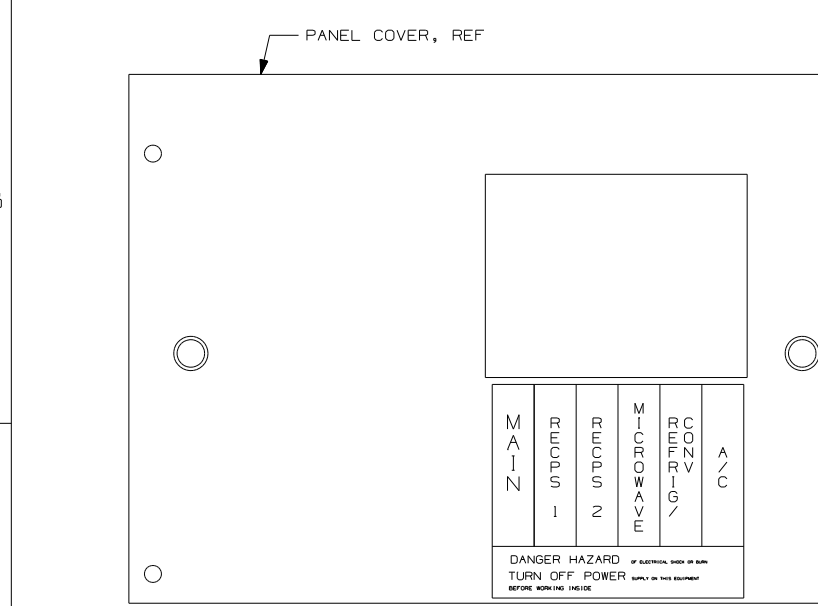


**CAUTION**

If you lack the skills, tools or equipment to perform diagnostic or repair work leave such work to an authorized Winnebago Industries dealer or other qualified shop.

| 8                   |         | 7             |               | 6             |               | 5             |               | 4             |               | 3             |               | 2             |     | 1 |  |
|---------------------|---------|---------------|---------------|---------------|---------------|---------------|---------------|---------------|---------------|---------------|---------------|---------------|-----|---|--|
|                     |         | 322E          | 322R          | 324F          | 324V          | 329B          | 329K          | 332G          | 331C          | 331T          |               |               |     |   |  |
| RED                 | 12-UL   | X             | X             | X             | X             | X             | X             | X             | X             | X             | 136135-07-037 | 136135-07-037 |     |   |  |
|                     | 12-CA   | X             | X             | X             | X             | X             | X             | X             | X             | X             | 136136-07-037 | 136135-07-037 |     |   |  |
| YEL                 | 14-UL   | X             | X             | X             | X             | X             | X             | X             | X             | X             | 136131-05-025 | 136131-05-025 |     |   |  |
|                     | 14-CA   | X             | X             | X             | X             | X             | X             | X             | X             | X             | 136134-05-025 | 136134-05-025 |     |   |  |
| BLK                 | 14-UL   | X             | X             | X             | X             | X             | X             | X             | X             | X             | 136131-06-051 | 136131-06-051 |     |   |  |
|                     | 14-CA   | X             | X             | X             | X             | X             | X             | X             | X             | X             | 136134-06-051 | 136134-06-051 |     |   |  |
| BRN                 | 14-UL   | X             | X             | X             | X             | X             | X             | X             | X             | X             | 136131-03-095 | N/A           | 49X |   |  |
|                     | 14-CA   | X             | X             | X             | X             | X             | X             | X             | X             | X             | 136134-03-095 | N/A           | 49X |   |  |
|                     | 14-UL   | X             | X             | X             | X             | X             | X             | X             | X             | N/A           | 136131-03-113 | 44X           |     |   |  |
|                     | 14-CA   | X             | X             | X             | X             | X             | X             | X             | X             | N/A           | 136134-03-113 | 44X           |     |   |  |
|                     | 14-UL   | X             | X             | X             | X             | X             | X             | X             | X             | X             | 136131-03-112 | 136131-03-117 | 45G |   |  |
|                     | 14-CA   | X             | X             | X             | X             | X             | X             | X             | X             | X             | 136134-03-112 | 136134-03-117 | 45G |   |  |
| BLU                 | 14-UL   | X             | X             | X             | X             | X             | X             | X             | X             | X             | 136131-02-170 | 136131-02-170 |     |   |  |
|                     | 14-CA   | X             | X             | X             | X             | X             | X             | X             | X             | X             | 136134-02-170 | 136134-02-170 |     |   |  |
| MAIN                | 10-UL   | X             | X             | X             | X             | X             | X             | X             | X             | X             | 136137-01-070 | 136137-01-060 |     |   |  |
|                     | 10-CA   | X             | X             | X             | X             | X             | X             | X             | X             | X             | 136138-01-070 | 136138-01-060 |     |   |  |
| MAIN                | 10-UL   | X             | X             | X             | X             | X             | X             | X             | X             | X             | 136137-01-080 | N/A           | 45G |   |  |
|                     | 10-CA   | X             | X             | X             | X             | X             | X             | X             | X             | X             | 136138-01-080 | N/A           | 45G |   |  |
| GROUND              | B-G     | 136145-02-015 | 136145-02-023 | 136145-02-020 | 136145-02-016 | 136145-02-015 | 136145-02-012 | 136145-02-012 | 136145-02-022 | 136145-02-022 | 136145-02-022 | 136145-02-022 |     |   |  |
| WIRE ASM            | 110V US | 143370-01-000 | 143602-01-000 | 145478-01-000 | 142933-01-000 | 146369-01-000 | 148304-01-000 | 144136-01-000 | X             | X             |               |               |     |   |  |
| WIRE ASM            | 110V CA | 143370-02-000 | 143602-02-000 | 145478-02-000 | 142933-02-000 | 146369-02-000 | 148304-02-000 | 144136-02-000 | X             | X             |               |               |     |   |  |
| GENERATOR CABLE ASM | UL      | X             | X             | 136137-01-036 | 136137-01-020 | 136137-01-025 | 136137-01-025 | 136137-01-042 | X             | X             | 40N           |               |     |   |  |
|                     | CA      | X             | X             | 136138-01-036 | 136138-01-020 | 136138-01-025 | 136138-01-025 | 136138-01-042 | X             | X             | 40N           |               |     |   |  |

RELEASE REV DATE A  
 REV ZONE REVISION RECORD DATE DFTR-ORIG  
 DWG NO 145070



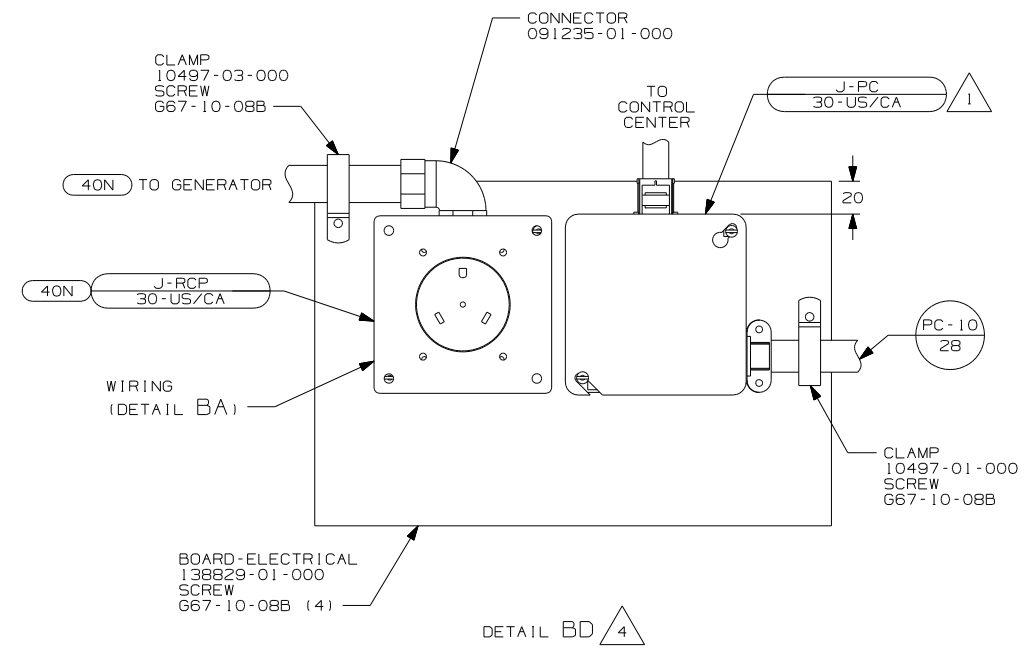
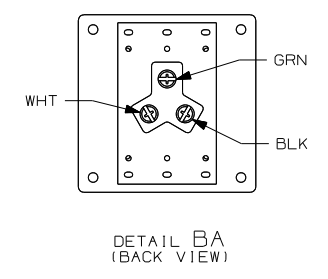
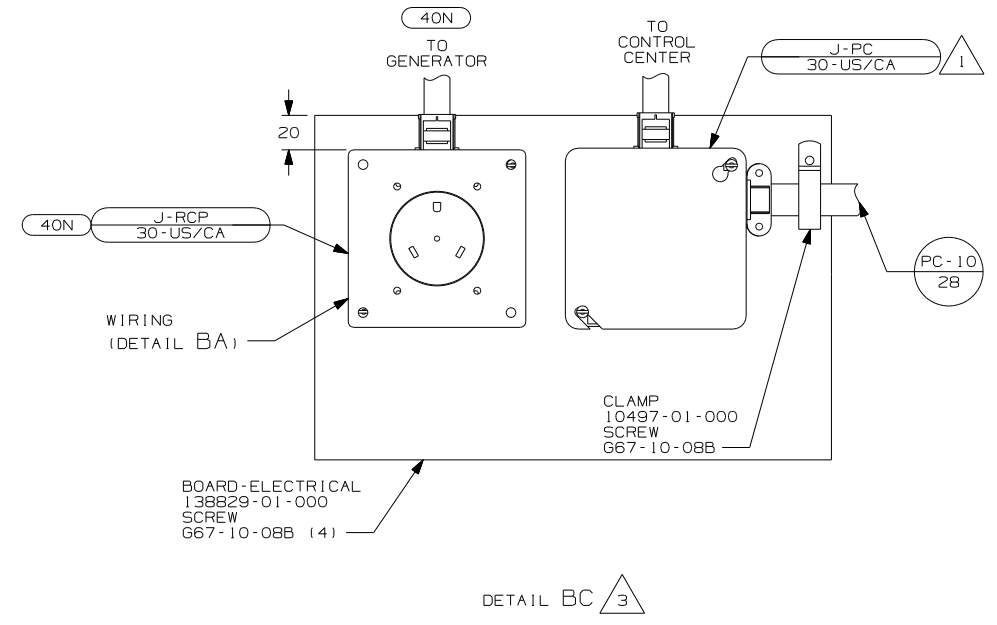
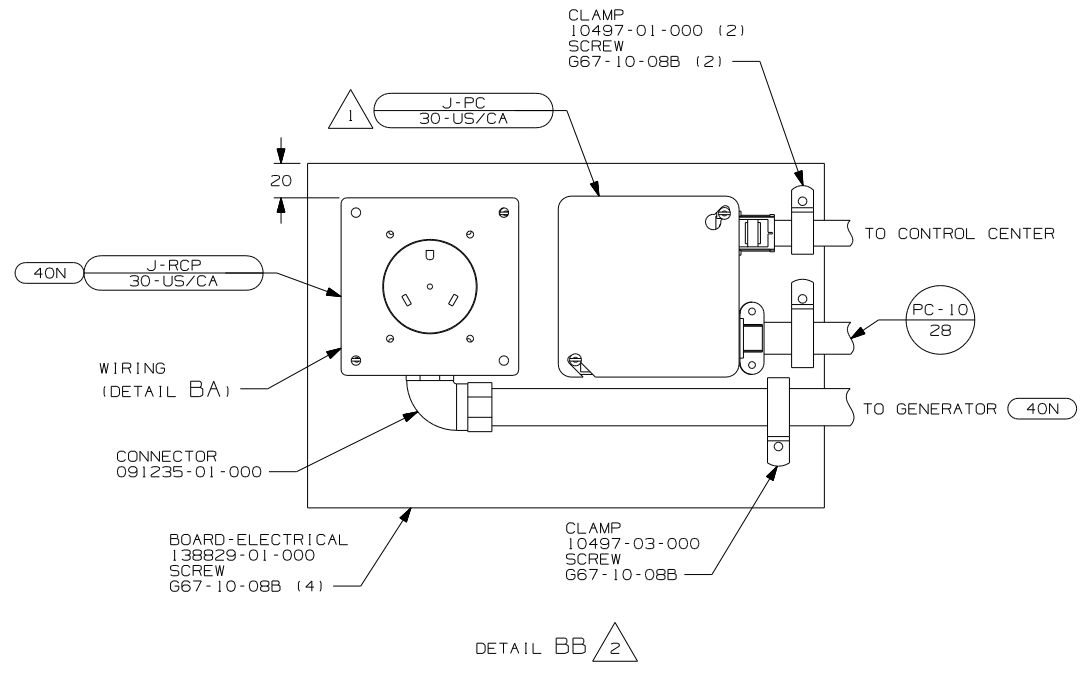
- 40N GEN-4.0KW-ONAGAS-MICROQUIET
- 49X BED-QUEEN - BACKWALL
- 45G BED-TWINS
- 44X BED-QUEEN SIDEWALL
- 265 CODES/STANDARDS-CSA/CMVSS
- 1B1 CODES/STANDARDS USA

WINNEBAGO COPYRIGHT 2004 WINNEBAGO INDUSTRIES, INC.

|                             |                                   |
|-----------------------------|-----------------------------------|
| DFTR                        | ORIG. DATE                        |
| CHKR                        | ALL DIMENSIONS ARE IN MILLIMETERS |
| P.E.                        |                                   |
| M.E.                        | FIRST USED                        |
| DSNR                        | 04 300-SER                        |
| UNSPECIFIED TOLERANCES ARE: |                                   |
| WHOLE DIM (X)               | :                                 |
| ONE-PLACE (X.X)             | :                                 |
| TWO-PLACE (X.XX)            | :                                 |
| ANGLE                       | :                                 |
| THIRD ANGLE PROJECTION      |                                   |

- 5 NOT USED WITH 322R
  - 4 FOR 322R USE CIRCUIT BREAKER 83209-01-000
  - 3 SEE WIRING INSLT-BODY, 12V FOR ADDITIONAL INFORMATION.
  - 2 SECURE WIRES TO BACKSIDE OF LOAD CENTER WITH WIRE TIE 116673-01-000.
1. ALL GROUND WIRES TO BE COVERED WITH TUBING 8041-02-000.
- NOTES:

(X-X) FOR ELECTRICAL CALLOUTS SEE DWG NO. 121339-01-000



- NOTES:
- 4 USED WITH 329B, 329K
  - 3 USED WITH 322R, 322E, 324V & 332G
  - 2 USED WITH 324F, 331C & 331T
  - 1 CONNECT BLK TO BLK, WHT TO WHT, AND GRNDS TO GRNDS.

- 40N GEN-4.0KW-ONAN-GAS-MICROLITE
- 265 CODES/STANDARDS-CSA/CMVSS
- 1B1 CODES/STANDARDS USA

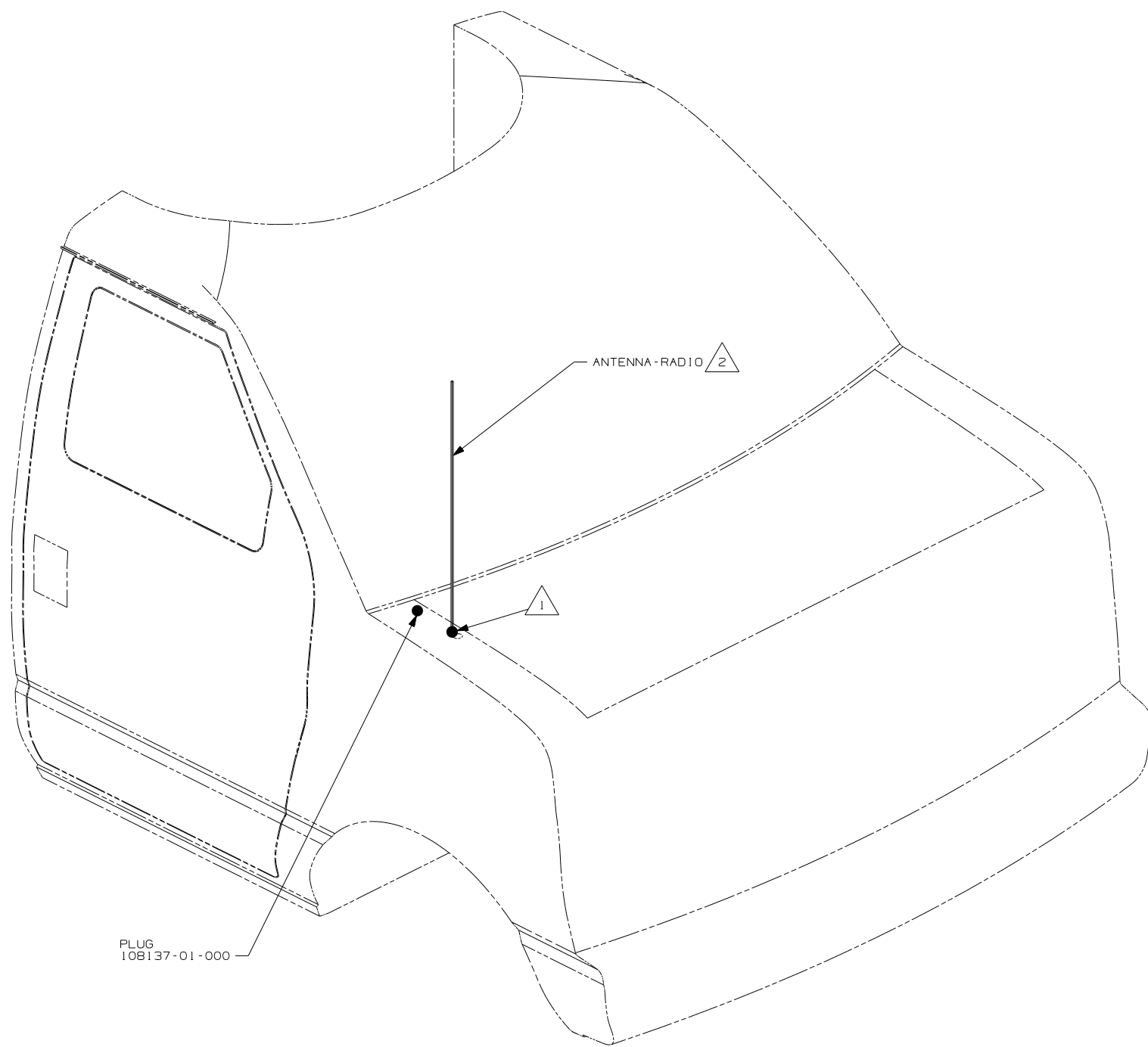
|            |                      |
|------------|----------------------|
| FIRST USED | 04 300-SER           |
| TITLE      | DO NOT SCALE DRAWING |
| TITLE      | LOAD CENTER/ATS ASM  |
| SHEET 2    | PART NO 145070       |

FOR ELECTRICAL TORQUE SPECIFICATIONS SEE DWG NO. 128783-01-000

FOR ELECTRICAL CALLOUTS SEE DWG NO. 121339-01-000

|           |       |
|-----------|-------|
| DWG NO    | SHEET |
| 145114-01 | 1     |
| 145114-02 | 2     |
| 145114-03 | 3     |

|          |                 |           |
|----------|-----------------|-----------|
| RELEASE  | REV DATE        | DWG NO    |
| A        |                 | 145114    |
| REV ZONE | REVISION RECORD | DATE      |
|          |                 | DFTR-ORIG |



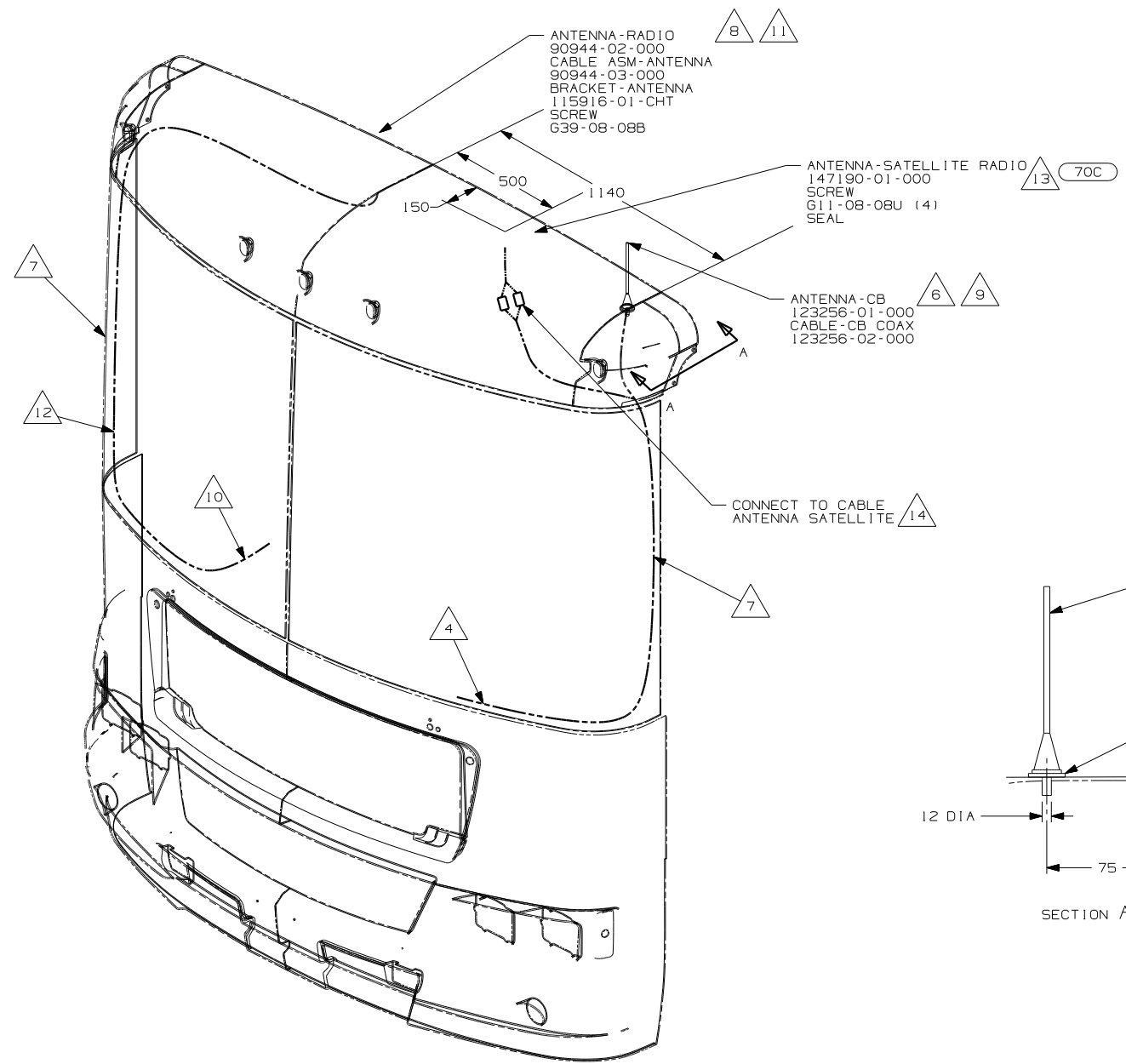
- 14 SEE WIRING INSTL-FRONT END FOR ADDITIONAL INFORMATION.
- 13 MOUNT ANTENNA SUCH THAT BASE IS SQUARE W/ REAR OF ROOF CAP & HOLE IS DIRECTLY OVER HOLE IN FIBERGLASS. SEAL HOLE IN ROOF CAP, BASE AT SCREWS.
- 12 TAPE CABLE EXTENSION TO CABLE ANTENNA AT CONNECTION, USE TAPE 8363-01-000.
- 11 USE HOLE IN BRACKET AS GUIDE TO DRILL 13 DIAMETER HOLE IN FIBERGLASS.
- 10 TO RADIO.
- 9 ATTACH ANTENNA-CB GROUND WIRE TO CAB FRAME, USE SCREW G39-08-08B.
- 8 SEAL AROUND ANTENNA BASE.
- 7 ROUTE CABLE ALONG A-POST, UNDER TRIM COVER.
- 6 40J CB PREP
- 5 MEASURED FROM REAR EDGE OF FIBERGLASS CAP.
- 4 SEE WIRING INSTL-FRONT END FOR LOCATION OF COAX END AND LABEL.
- 3 DO NOT RELOCATE ANTENNA ON SHELLS.
- 2 SUPPLIED WITH CHASSIS.
- 1 SEE FRAME ASM-CHASSIS FOR HOLE LOCATION AND SIZE.

PLUG  
108137-01-000

FORD CHASSIS  
300 SERIES  
EXCEPT SHELLS

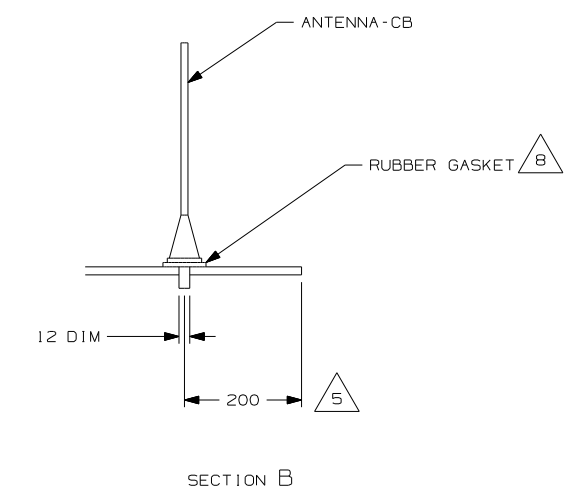
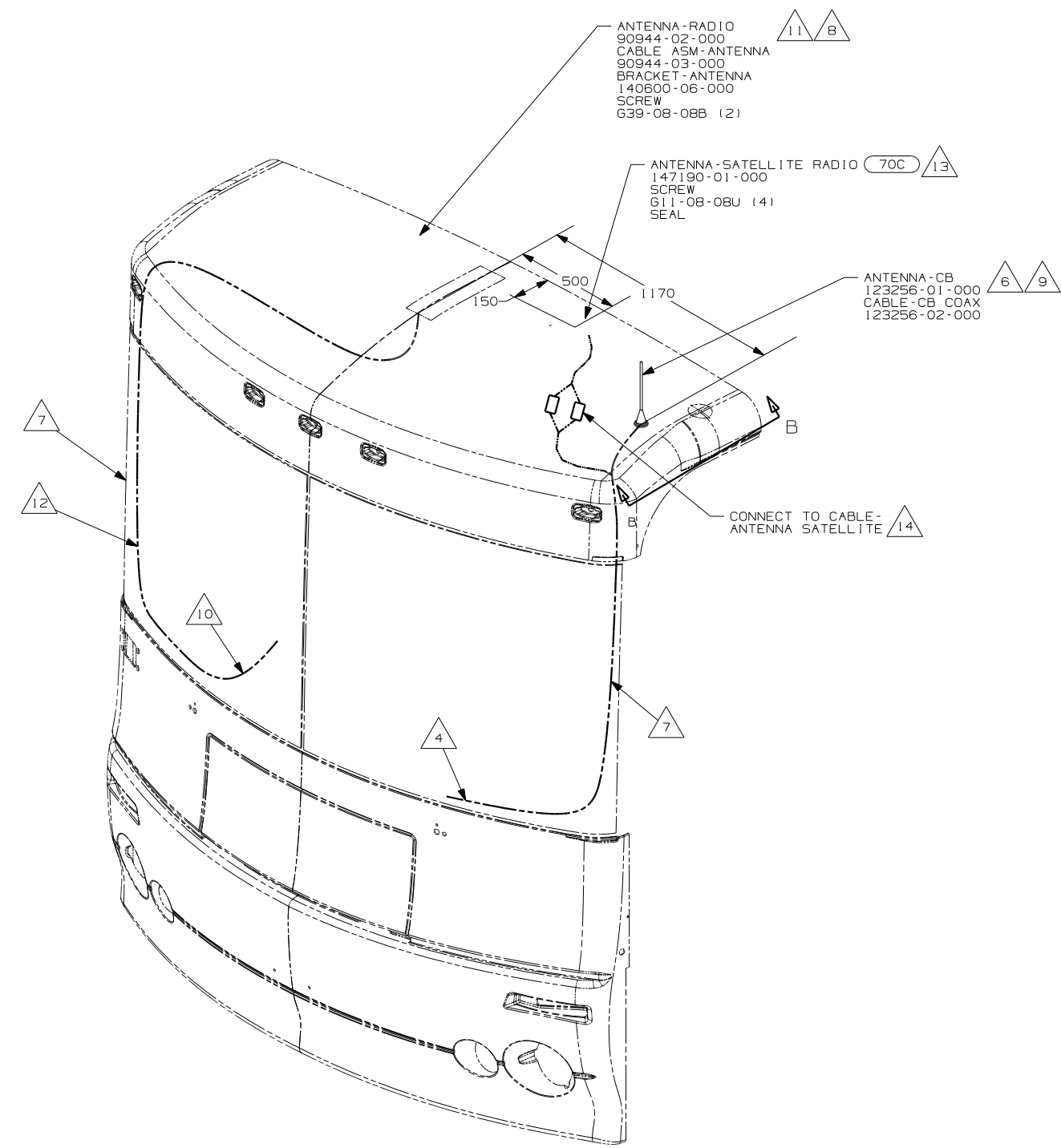
|                                      |               |   |  |
|--------------------------------------|---------------|---|--|
| <b>WINNEBAGO</b>                     |               | COPYRIGHT 2005<br>WINNEBAGO<br>INDUSTRIES, INC. |  |
| DFTR                                 | ORIG. DATE    | ALL DIMENSIONS ARE<br>IN MILLIMETERS            |  |
| CHKR                                 |               | MATERIAL:                                       |  |
| P.E.                                 |               | UNSPECIFIED TOLERANCES ARE:                     |  |
| M.E.                                 | FIRST USED    | WHOLE DIM (X) :                                 |  |
| DSNR                                 | 04 MOTORHOMES | ONE-PLACE (X.X) :                               |  |
|                                      |               | TWO-PLACE (X.XX) :                              |  |
|                                      |               | ANGLE :   |  |
| THIRD ANGLE<br>PROJECTION            |               |   |  |
| DO NOT SCALE DRAWING                 |               |   |  |
| TITLE:<br>ANTENNA INSTL-RADIO AND CB |               |   |  |
| SHEET 1 OF 3                         | PART NO       | 145114  |  |
| REF:                                 |               | 1 10/31/2005                                    |  |

NOTES:



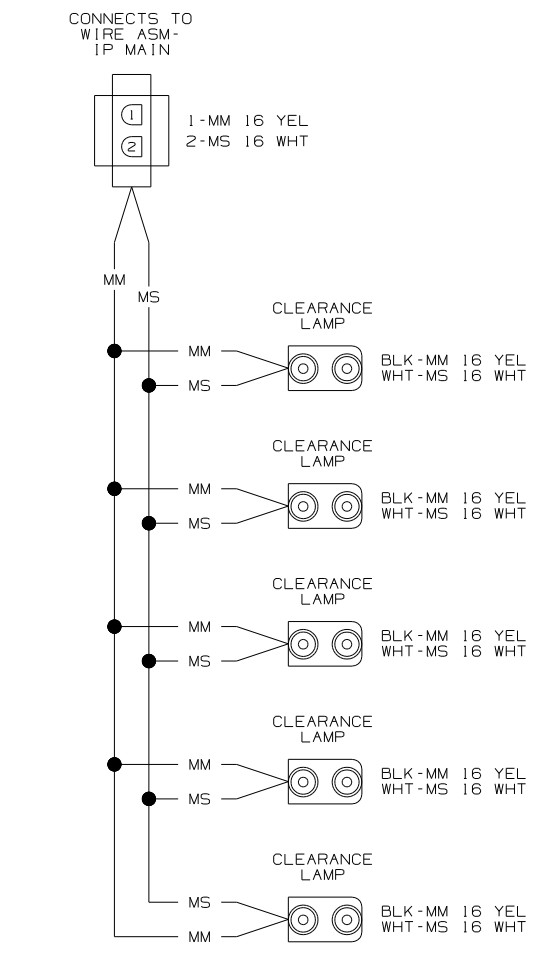
70C RADIO - SATELLITE

|                            |                |
|----------------------------|----------------|
| FIRST USED                 |                |
| D,L,F&G-SERIES,40J CB PREP |                |
| DO NOT SCALE DRAWING       |                |
| TITLE:                     |                |
| ANTENNA INSTL-RADIO AND CB |                |
| SHEET 2                    | PART NO 145114 |

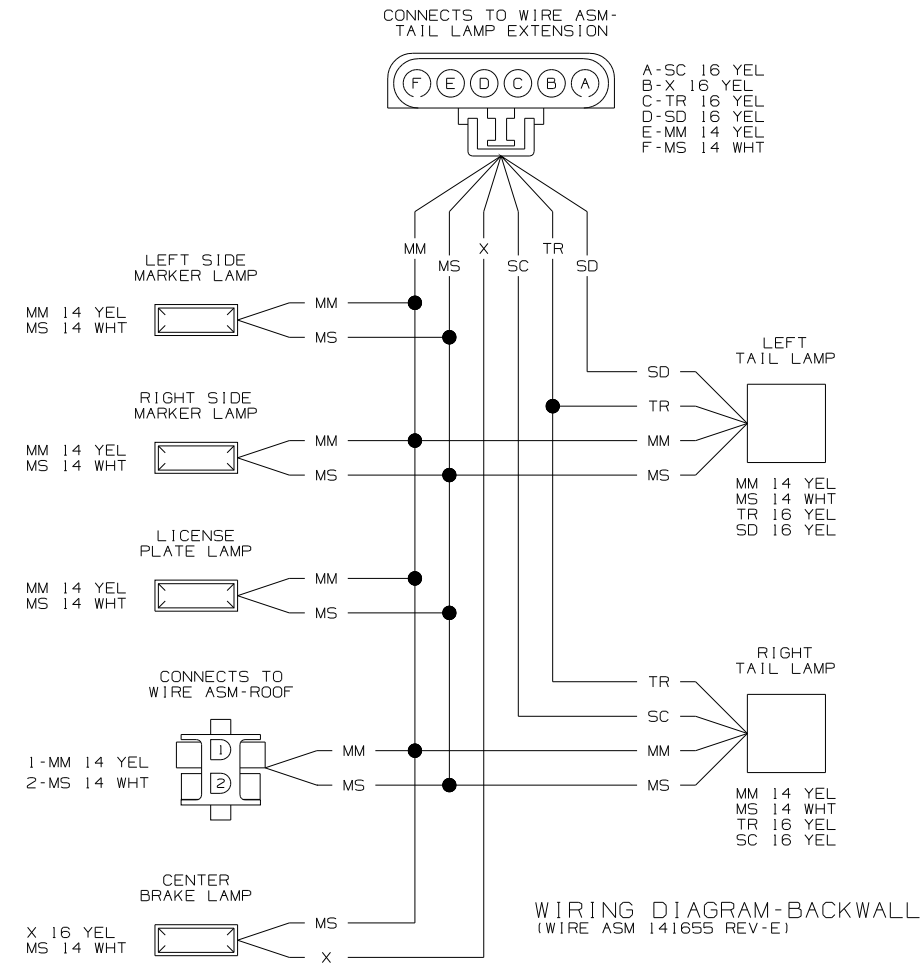


70C RADIO - SATELLITE

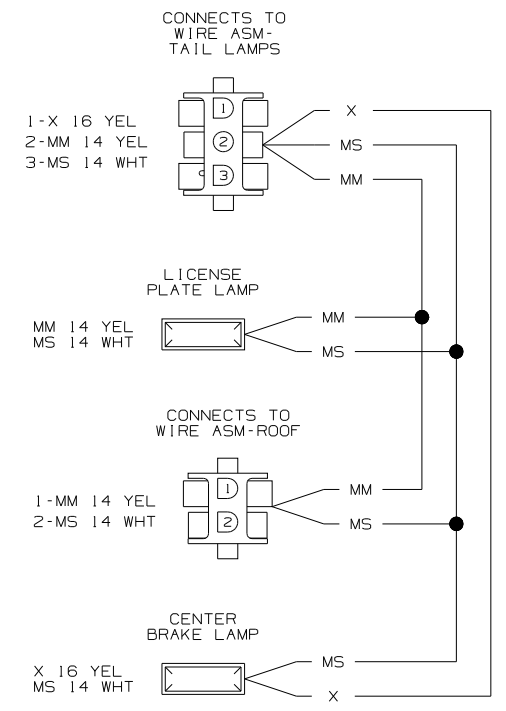
|                              |                |
|------------------------------|----------------|
| FIRST USED                   |                |
| P, Q & S-SERIES, 40J CB PREP |                |
| DO NOT SCALE DRAWING         |                |
| TITLE:                       |                |
| ANTENNA INSTL-RADIO AND CB   |                |
| SHEET 3                      | PART NO 145114 |



WIRING DIAGRAM-CLEARANCE LAMPS  
(126486-04 REV-E)

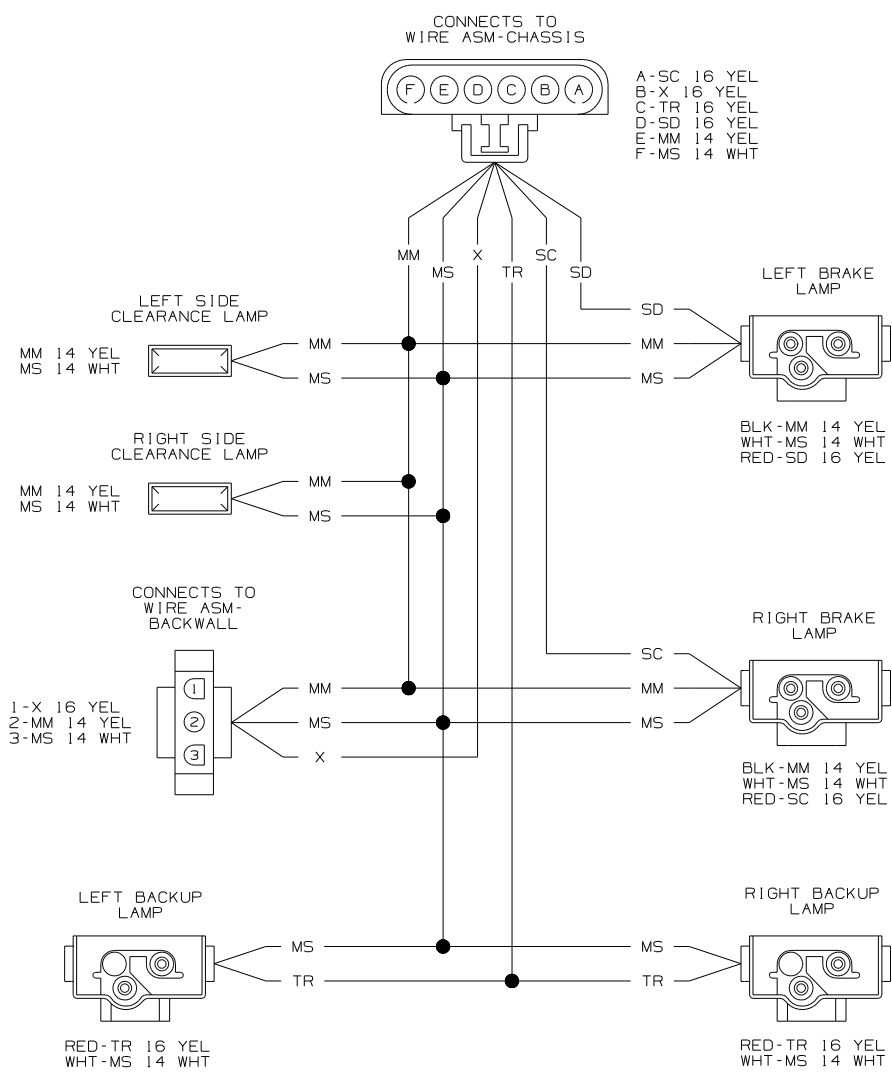


WIRING DIAGRAM-BACKWALL  
(WIRE ASM 141655 REV-E)

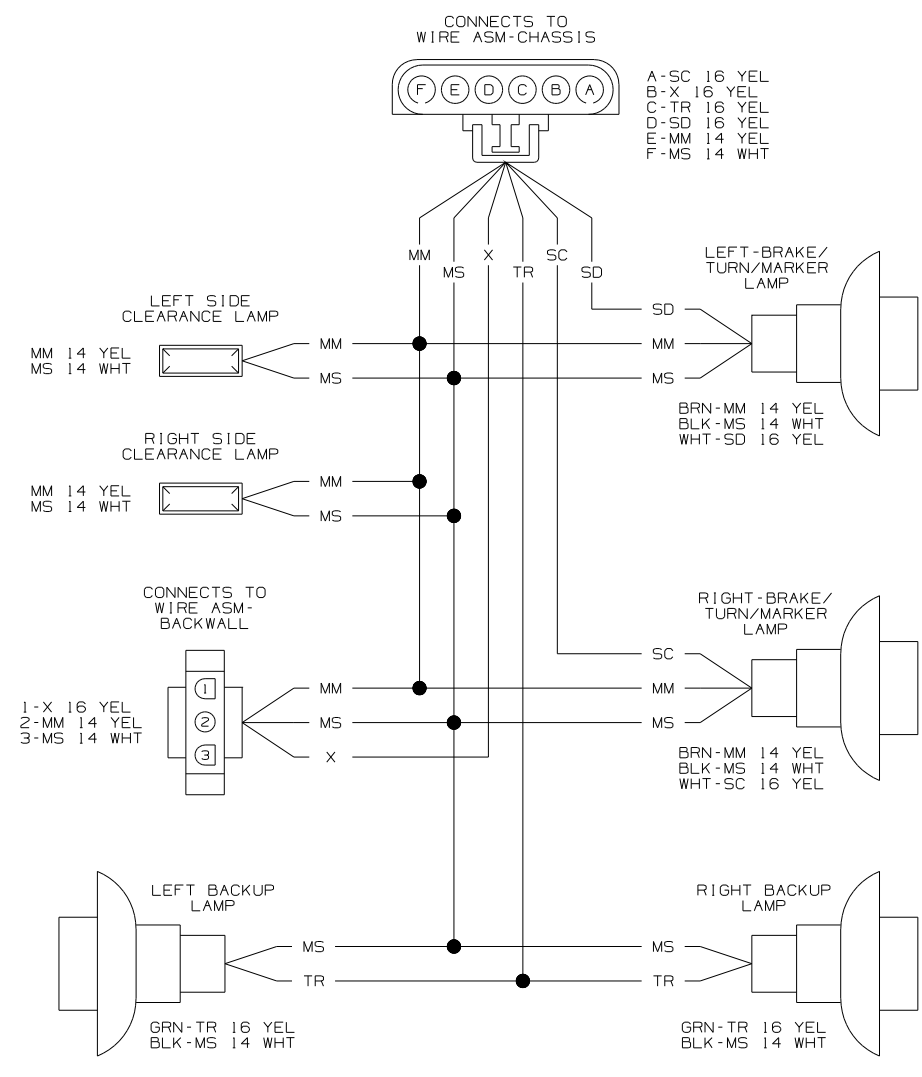


WIRING DIAGRAM-BACKWALL  
(WIRE ASM 141557 REV-B)

|                                     |            |   |   |
|-------------------------------------|------------|---|---|
| <b>WINNEBAGO</b>                    |            | COPYRIGHT 2002<br>WINNEBAGO<br>INDUSTRIES, INC. |   |
| DFTR                                | ORIG. DATE | ALL DIMENSIONS ARE<br>IN MILLIMETERS            |   |
| CHKR                                |            | FIRST USED                                      |   |
| P.E.                                |            | 04 300/400                                      |   |
| M.E.                                |            | UNSPECIFIED TOLERANCES ARE:                     |   |
| DSNR                                |            | MATERIAL:                                       |   |
|                                     |            | WHOLE DIM (X)                                   | : |
|                                     |            | ONE-PLACE (X.X)                                 | : |
|                                     |            | TWO-PLACE (X.XX)                                | : |
|                                     |            | ANGLE   | : |
| THIRD ANGLE<br>PROJECTION           |            |   |   |
| DO NOT SCALE DRAWING                |            |   |   |
| TITLE:<br>WIRING DIAGRAM-AUTO LAMPS |            |   |   |
| SHEET 1 OF 2                        | PART NO    | 145092  |   |
| REF: 144468 1 05/23/03              |            |   |   |

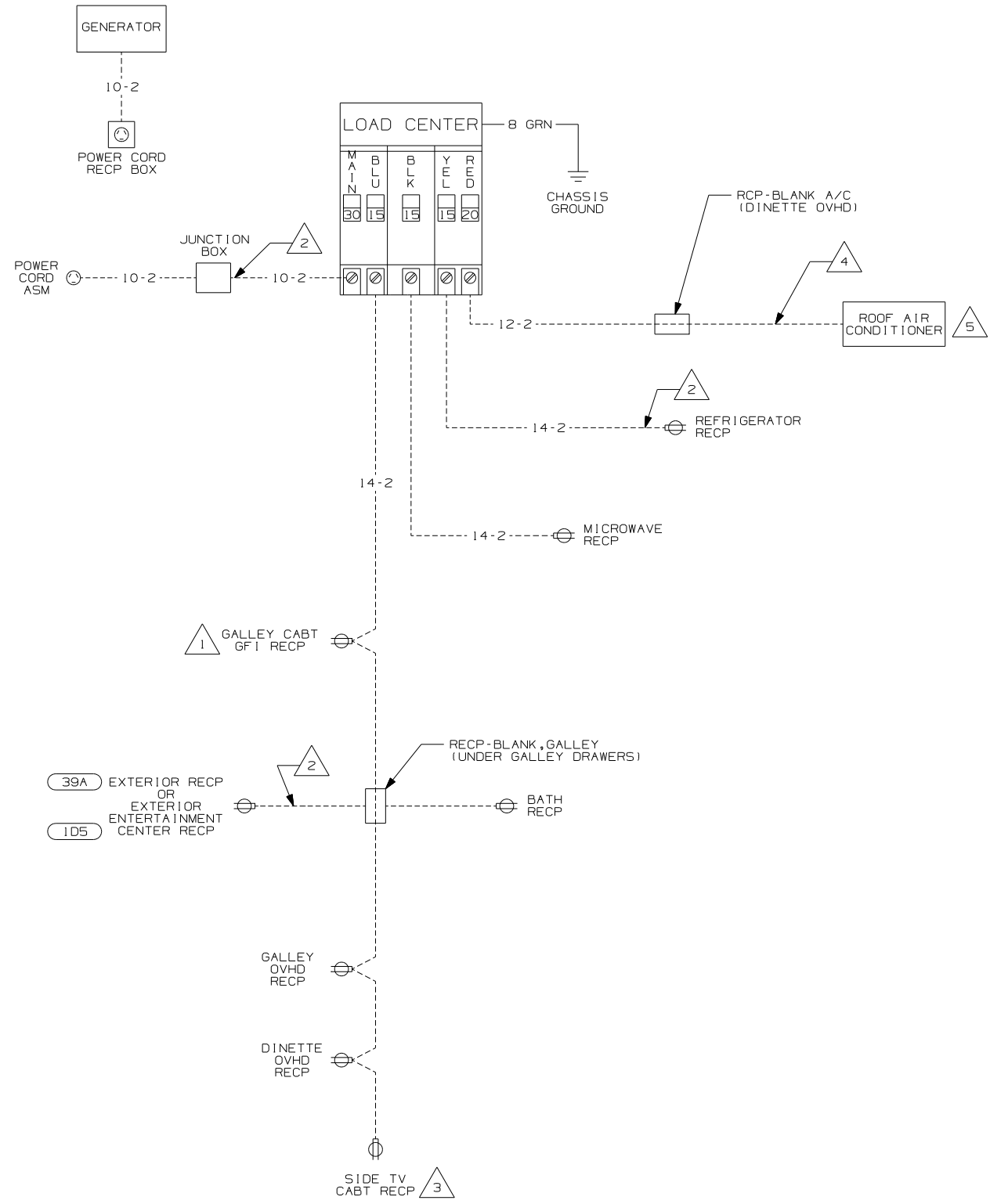


WIRING DIAGRAM-TAILLAMPS  
(WIRE ASM 141556-02 REV-D)



WIRING DIAGRAM-TAILLAMPS  
(WIRE ASM 141556-01 REV-D)

|            |                           |
|------------|---------------------------|
| FIRST USED | 04 300/400                |
| TITLE      | DO NOT SCALE DRAWING      |
|            | WIRING DIAGRAM-AUTO LAMPS |
| SHEET 2    | PART NO 145092            |



- 5 SEE MANUFACTURERS DIAGRAM.
- 4 WIRE ROUTED THRU ROOF.
- 3 NOT USED WITH 78A
- 2 WIRE ROUTED THRU FLOOR.
- 1 ALL OUTLETS DOWN STREAM AND INCLUDING THIS OUTLET ARE GROUND FAULT CIRCUIT INTERRUPT PROTECTED.

NOTES:

- 39A EXT RECEPTACLE DPLX 120VAC
- 1D5 ENTERTAINMENT CENTR/EXT W/CD
- 78A TV-13" W/VCP-12V
- 12D ELECTRICAL SYSTEM 30 AMP
- 265 CODES/STANDARDS-CSA/CMVSS
- 1B1 CODES/STANDARDS-USA

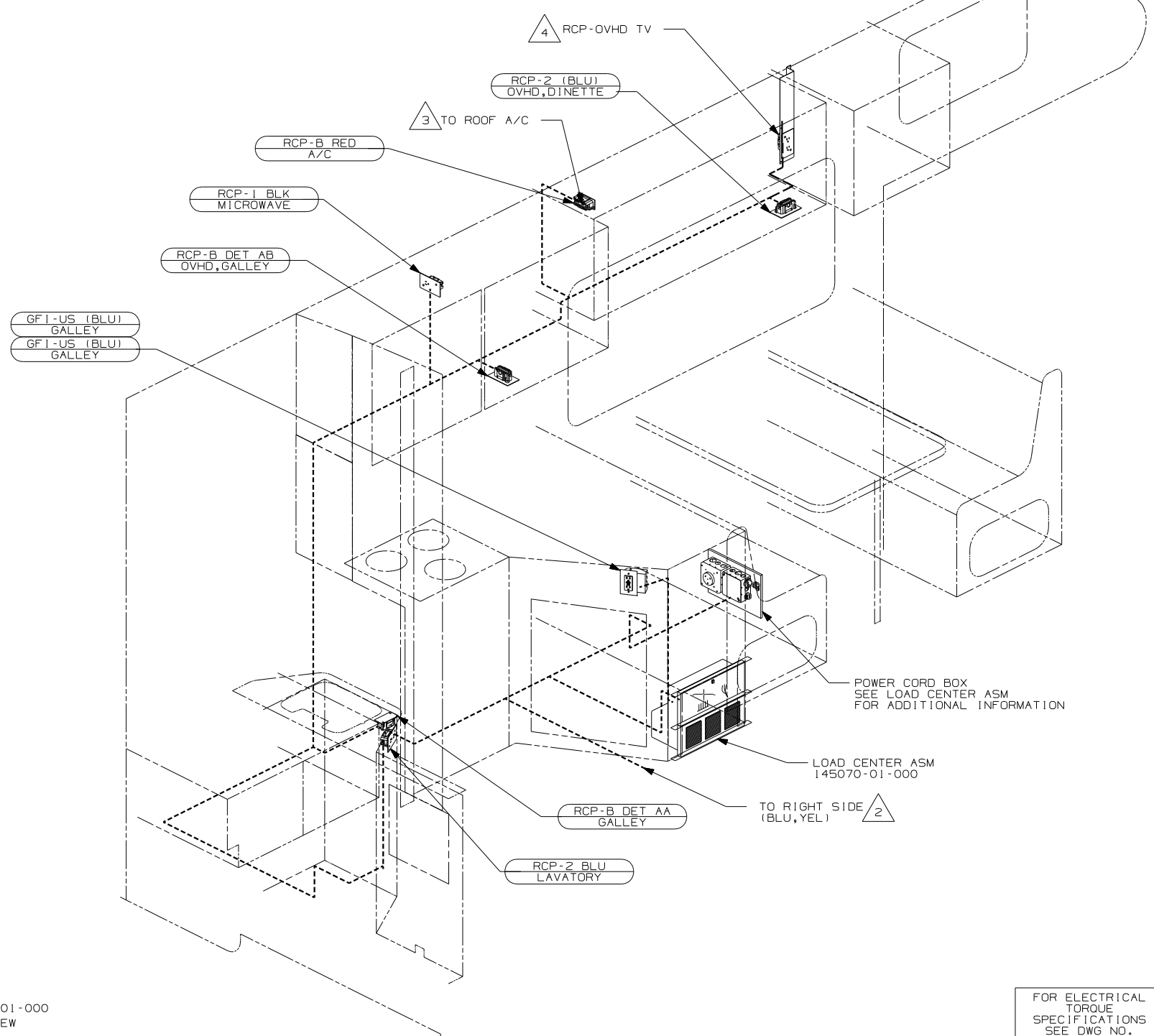
|                                     |                                      |   |  |
|-------------------------------------|--------------------------------------|---|--|
| <b>WINNEBAGO</b>                    |                                      | COPYRIGHT 2003<br>WINNEBAGO<br>INDUSTRIES, INC. |  |
| DFTR                                | ORIG. DATE                           |   |  |
| CHKR                                | ALL DIMENSIONS ARE<br>IN MILLIMETERS |   |  |
| P.E.                                |                                      |   |  |
| M.E.                                | FIRST USED                           | 04 322R   |  |
| DSNR                                |                                      |   |  |
| UNSPECIFIED TOLERANCES ARE:         |                                      | MATERIAL:                                       |  |
| WHOLE DIM (X)                       | :                                    | .   |  |
| ONE-PLACE (X.X)                     | :                                    | .   |  |
| TWO-PLACE (X.XX)                    | :                                    | .   |  |
| ANGLE                               | :                                    | .   |  |
| THIRD ANGLE<br>PROJECTION           |                                      |   |  |
| DO NOT SCALE DRAWING                |                                      |   |  |
| TITLE:<br>WIRING DIAGRAM-BODY, 110V |                                      |   |  |
| SHEET 1 OF 1                        | PART NO                              | 146699  |  |
| REF: NONE                           |                                      | 1 08/15/03                                      |  |

| DRAWING NO. | FEATURE     |
|-------------|-------------|
| 146697-01   | -----       |
| 146697-11   | (1B1) (12D) |
| 146697-15   | (265) (12D) |

|          |                 |        |           |
|----------|-----------------|--------|-----------|
| RELEASE  | REV DATE        | DWG NO | 146697    |
| REV ZONE | REVISION RECORD | DATE   | DFTR-ORIG |

136131-02-090  
14-UL/BLU  
136134-02-090  
14-CA/BLU

RCP-BLANK, GALLEY (BLU)  
FROM RECP-LAVATORY --- TO EXTERIOR RCP (2)  
FROM RECP-GALLEY, GFI --- TO RCP OVHD GALLEY  
DETAIL AA (BLU)



- (4) NOT USED WITH (78A) .
- (3) WIRE ROUTED IN ROOF.
- (2) ROUTE WIRE THRU FLOOR.

1. ALL WIRES TO BE SECURED WITH CLAMP 10495-01-000 OR CLIP 80734-01-000 EVERY 600MM. USE SCREW 667-10-12B UNLESS OTHERWISE SPECIFIED.

NOTES:

- (78A) TV-13" W/VCP-12V
- (12D) ELECTRICAL SYSTEM 30 AMP
- (265) CODES/STANDARDS-CSA/CMVSS
- (1B1) CODES/STANDARDS USA

(1B1) (265) (12D)



|                             |                                   |
|-----------------------------|-----------------------------------|
| DFTR                        | ORIG. DATE                        |
| CHKR                        | ALL DIMENSIONS ARE IN MILLIMETERS |
| P.E.                        |                                   |
| M.E.                        | FIRST USED                        |
| DSNR                        | 04 322R                           |
| UNSPECIFIED TOLERANCES ARE: | MATERIAL:                         |
| WHOLE DIM (X)               |                                   |
| ONE-PLACE (X.X)             | (1)                               |
| TWO-PLACE (X.XX)            |                                   |
| ANGLE                       |                                   |
| THIRD ANGLE PROJECTION      |                                   |

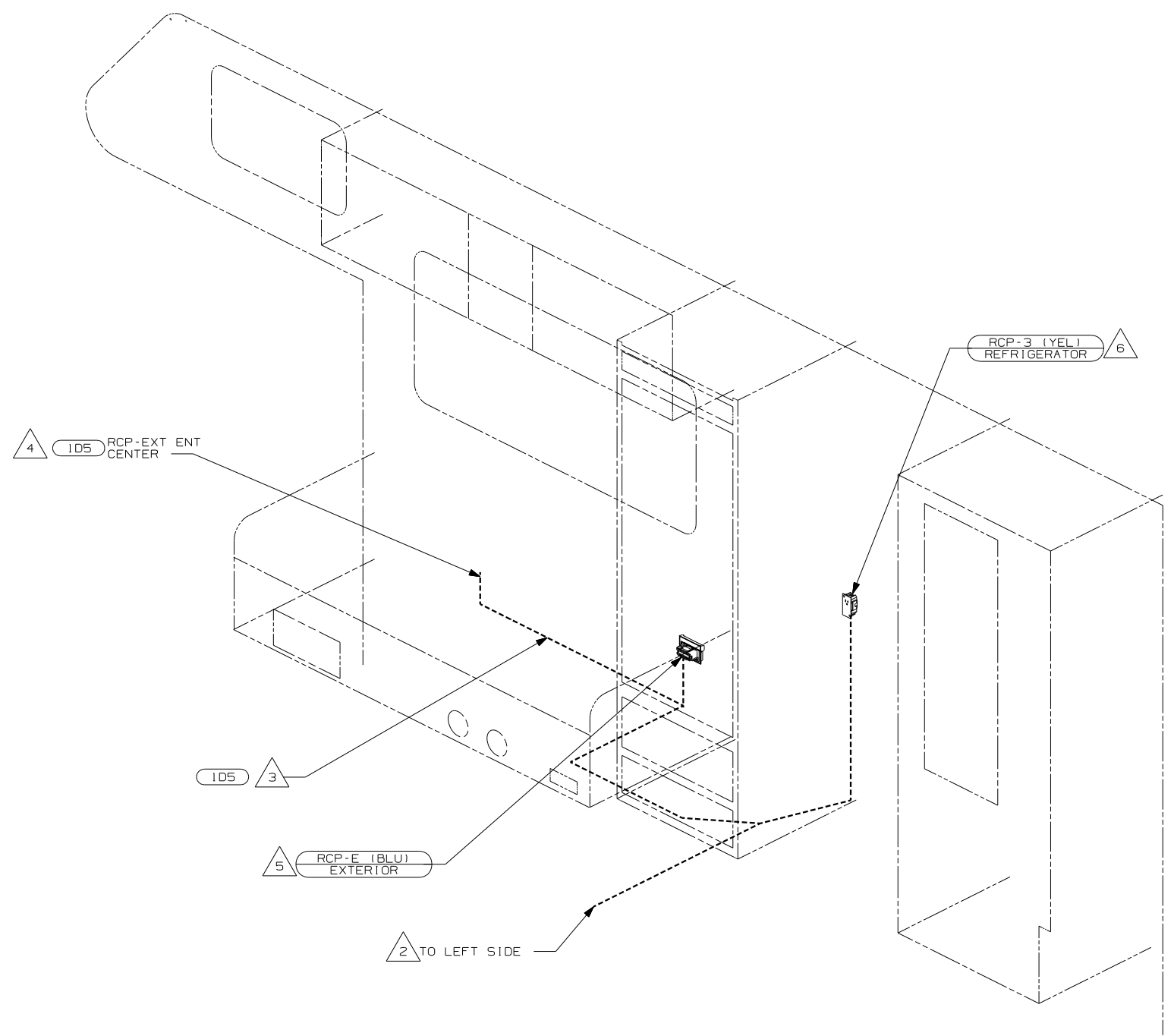
FOR ELECTRICAL TORQUE SPECIFICATIONS SEE DWG NO. 128783-01-000

FOR ELECTRICAL CALLOUTS SEE DWG NO. 121339-01-000

DO NOT SCALE DRAWING

|              |                         |
|--------------|-------------------------|
| TITLE:       | WIRING INSTL-BODY, 110V |
| SHEET 1 OF 2 | PART NO 146697          |

REF: 1 05/23/03



- △ 6 LOCATE RCP ON REFRIGERATOR TIEDOWN BRACKET.
- △ 5 NOT USED WITH ID5
- △ 4 SEE ENTERTAINMENT CENTER-COMPL FOR ADDITIONAL INFORMATION.
- △ 3 ROUTE WIRE ALONG FLOOR.
- △ 2 ROUTE WIRE THRU FLOOR.

1. ALL WIRES TO BE SECURED WITH CLAMP 10495-01-000 OR CLIP 80734-01-000 EVERY 600MM. USE SCREW 667-10-12B UNLESS OTHERWISE SPECIFIED.

NOTES:

- ID5 ENTERTAINMENT CENTR/EXT W/CD
- 265 CODES/STANDARDS-CSA/CMVSS
- 1B1 CODES/STANDARDS USA

1B1 265

|                         |         |
|-------------------------|---------|
| FIRST USED              |         |
| 04 322R                 |         |
| DO NOT SCALE DRAWING    |         |
| TITLE:                  |         |
| WIRING INSTL-BODY, 110V |         |
| SHEET 2                 | PART NO |
|                         | 146697  |

FOR ELECTRICAL TORQUE SPECIFICATIONS SEE DWG NO. 128783-01-000

FOR ELECTRICAL CALLOUTS SEE DWG NO. 121339-01-000

CONNECTS TO RADIO SWITCH

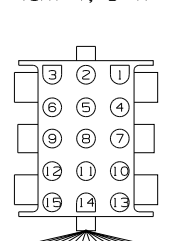
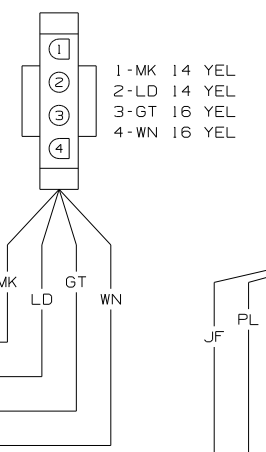
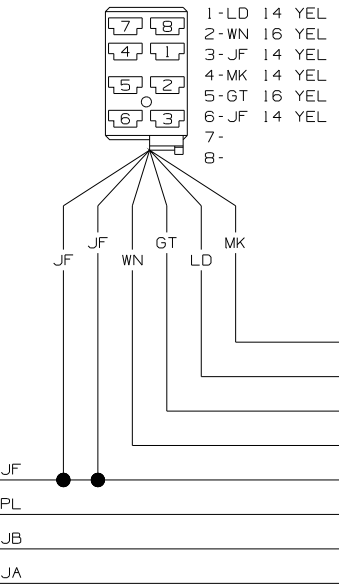
CONNECTS TO DASH RADIO ASM

CONNECTS TO WIRE ASM-RIGHT (SHT 4, D-4)

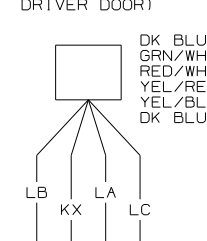
CONNECTS TO FORD WIRING (LOCATED BEHIND DRIVER DOOR)

CONNECTS TO WIRE ASM-LEFT (SHT 3, A-3) (LOCATED BELOW BATH VANITY)

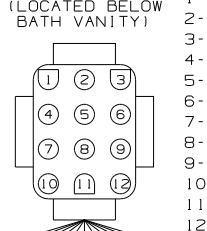
CONNECTS TO GENERATOR



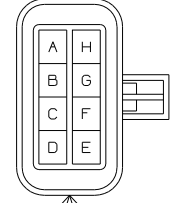
- 1-JM 14 WHT
- 2-XH 16 YEL
- 3-JA 14 YEL
- 4-JB 14 YEL
- 5-AB 16 WHT
- 6-JP 14 WHT
- 7-WB 16 YEL
- 8-UK 16 WHT
- 9-PL 14 YEL
- 10-BBH 16 YEL
- 11-LB 16 WHT
- 12-KX 16 YEL
- 13-JF 14 YEL
- 14-NF 14 WHT
- 15-



- DK BLU/WHT-LA 16 YEL
- GRN/WHT-LC 16 WHT
- RED/WHT-KX 16 YEL
- YEL/RED-LB 16 WHT
- YEL/BLK-NOT USED
- DK BLU/RED-NOT USED



- 1-JS 12 YEL
- 2-LP 16 YEL
- 3-LL 16 WHT
- 4-LM 16 WHT
- 5-LN 16 WHT
- 6-
- 7-LA 16 YEL
- 8-LC 16 WHT
- 9-GL 16 WHT
- 10-JX 14 WHT
- 11-WB 16 YEL
- 12-XH 16 YEL



- A-LN 16 WHT
- B-LM 16 WHT
- C-LL 16 WHT
- D-
- E-
- F-LP 16 YEL
- G-
- H-

JF  
PL  
JB  
JA

JF PL JB JA BBH AB UK JM JP NF WB XH LB

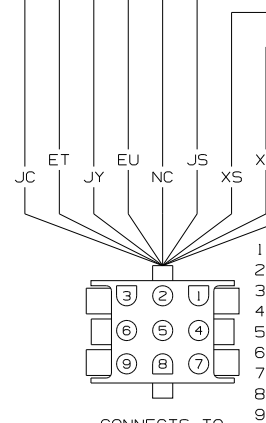
LC LA XH WB JS GL JX LN LM LL LP

LP LL LM LN

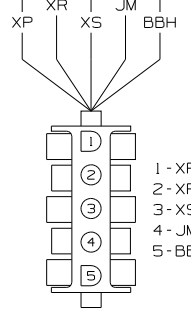
GND

GND

ET  
JC

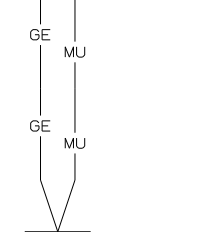


- 1-JC 14 YEL
- 2-NC 14 WHT
- 3-XP 16 YEL
- 4-ET 16 YEL
- 5-EU 16 WHT
- 6-XR 16 YEL
- 7-JS 12 YEL
- 8-JY 12 WHT
- 9-XS 16 YEL



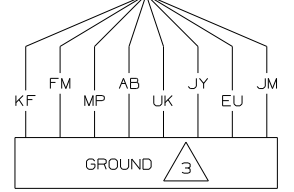
- 1-XP 16 YEL
- 2-XR 16 YEL
- 3-XS 16 YEL
- 4-JM 14 WHT
- 5-BBH 16 YEL

DOME LAMP

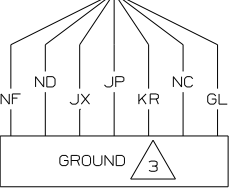


- LT GRN/YEL-NOT USED
- BLK/LT BLU-GE 16 YEL
- BLK-MU 14 WHT

CONNECTS TO FORD WIRING (LOCATED NEAR FORD FUSE PANEL)



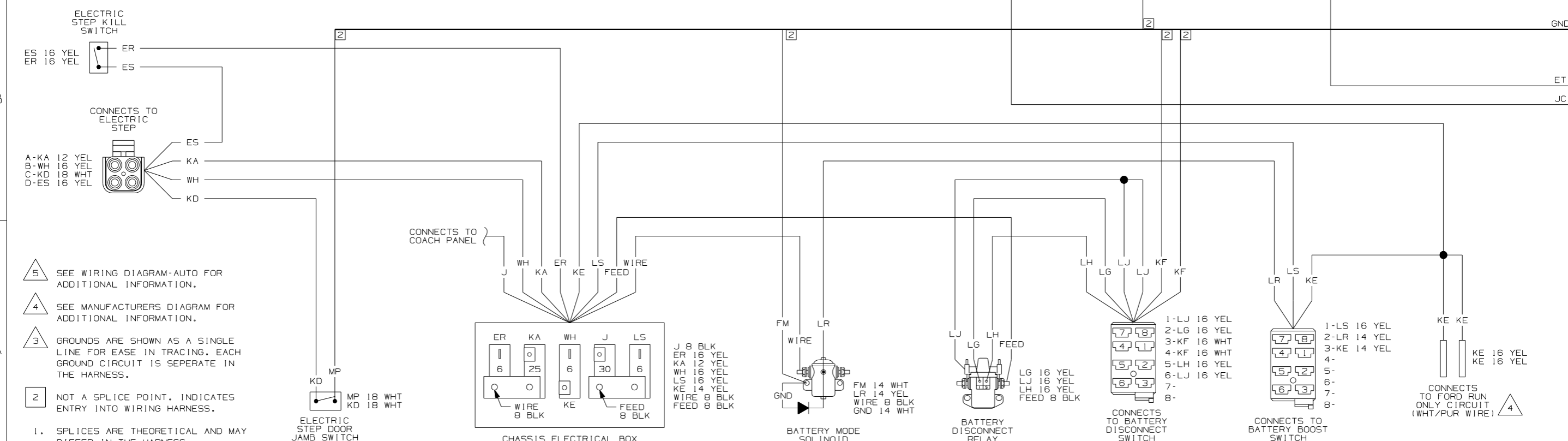
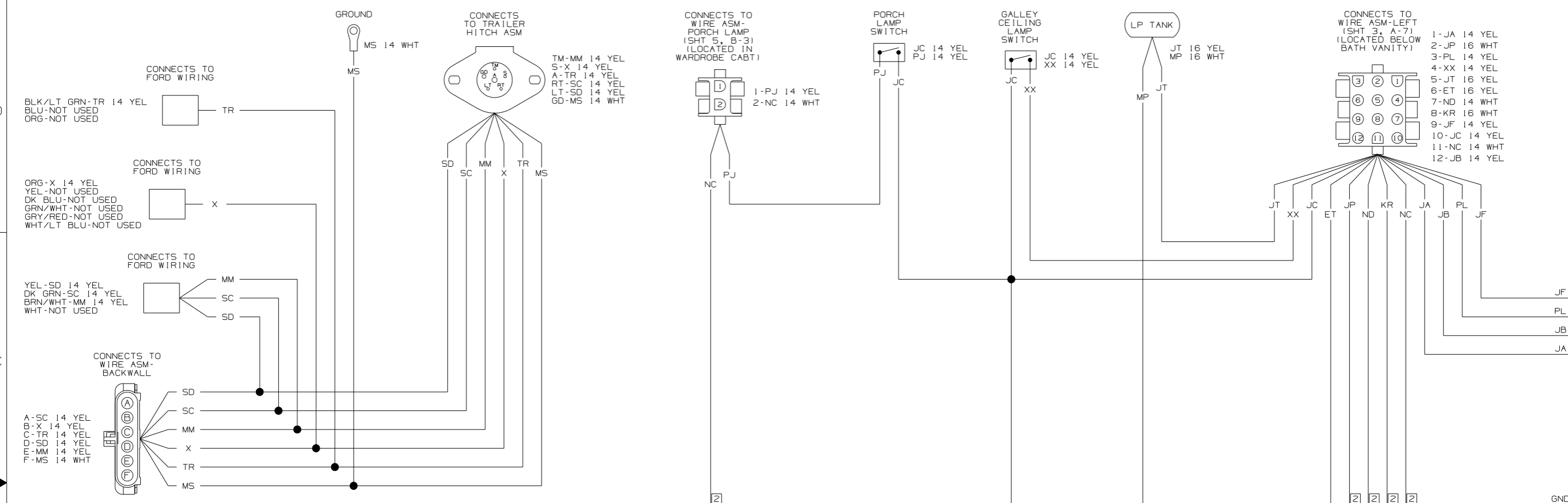
- KF 16 WHT
- FM 14 WHT
- MP 16 WHT
- AB 16 WHT
- UK 16 WHT
- JY 12 WHT
- EU 16 WHT
- JM 14 WHT



- NF 14 WHT
- ND 14 WHT
- JX 14 WHT
- JP 14 WHT
- KR 14 WHT
- NC 14 WHT
- GL 16 WHT

WIRING DIAGRAM-CHASSIS, FORD  
(WIRE ASM 146700 REV-C)

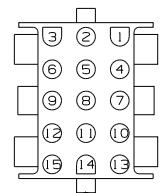
|                                 |            |   |  |
|---------------------------------|------------|---|--|
| <b>WINNEBAGO</b>                |            | COPYRIGHT 2003 WINNEBAGO INDUSTRIES, INC. |  |
| DFTR                            | ORIG. DATE | ALL DIMENSIONS ARE IN MILLIMETERS         |  |
| CHNR                            |            | FIRST USED                                |  |
| P.E.                            |            | 04 322R                                   |  |
| M.E.                            |            | UNSPECIFIED TOLERANCES ARE:               |  |
| DSNR                            |            | MATERIAL:                                 |  |
|                                 |            | HOLE DIM (X) :                            |  |
|                                 |            | ONE-PLACE (X,X) :                         |  |
|                                 |            | TWO-PLACE (X,XX) :                        |  |
|                                 |            | ANGLE :                                   |  |
|                                 |            | THIRD ANGLE PROJECTION                    |  |
| DO NOT SCALE DRAWING            |            |   |  |
| TITLE: WIRING DIAGRAM-BODY, 12V |            |   |  |
| SHEET 1 of 6                    |            | PART NO 146698                            |  |
| REF: 143595                     |            | 1 09/22/03                                |  |



- 5 SEE WIRING DIAGRAM-AUTO FOR ADDITIONAL INFORMATION.
- 4 SEE MANUFACTURERS DIAGRAM FOR ADDITIONAL INFORMATION.
- 3 GROUNDS ARE SHOWN AS A SINGLE LINE FOR EASE IN TRACING. EACH GROUND CIRCUIT IS SEPERATE IN THE HARNESS.
- 2 NOT A SPLICE POINT. INDICATES ENTRY INTO WIRING HARNESS.
1. SPLICES ARE THEORETICAL AND MAY DIFFER IN THE HARNESS.

CONNECTS TO WIRE ASM-RIGHT (SHT 4, D-4)

- 1-JM 14 WHT
- 2-XH 16 YEL
- 3-JA 14 YEL
- 4-JB 14 YEL
- 5-AB 16 WHT
- 6-JP 14 WHT
- 7-WB 16 YEL
- 8-UK 16 WHT
- 9-PL 14 YEL
- 10-BBH 16 YEL
- 11-LB 16 WHT
- 12-KX 16 YEL
- 13-JF 14 YEL
- 14-NF 14 WHT
- 15-



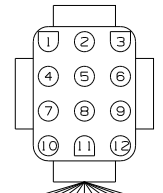
CONNECTS TO GM WIRING (RADIO SPEAKERS)

- LA 16 YEL
- LC 16 WHT
- KX 16 YEL
- LB 16 WHT



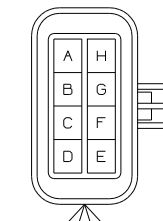
CONNECTS TO WIRE ASM-LEFT (SHT 3, A-3) (LOCATED BELOW BATH VANITY)

- 1-JS 12 YEL
- 2-LP 16 YEL
- 3-LL 16 WHT
- 4-LM 16 WHT
- 5-LN 16 WHT
- 6-
- 7-LA 16 YEL
- 8-LC 16 WHT
- 9-GL 16 WHT
- 10-JX 14 WHT
- 11-WB 16 YEL
- 12-XH 16 YEL



CONNECTS TO GENERATOR

- A-LN 16 WHT
- B-LM 16 WHT
- C-LL 16 WHT
- D-
- E-
- F-LP 16 YEL
- G-
- H-



JF  
PL  
JB  
JA

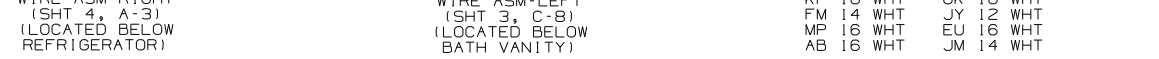
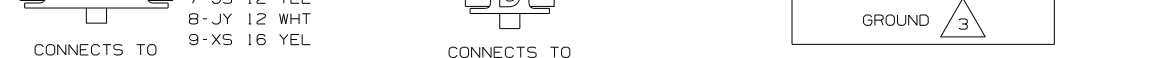
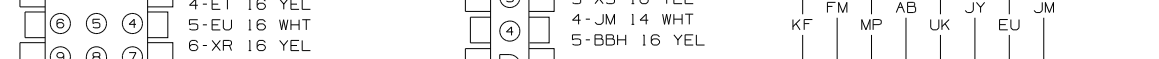
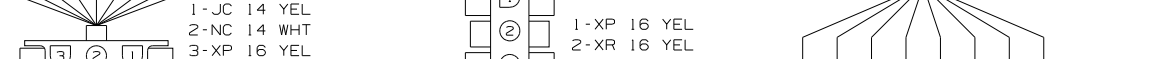
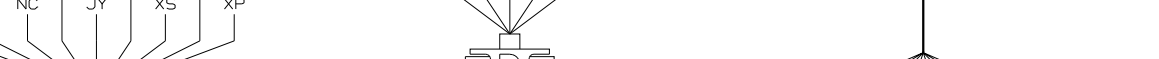
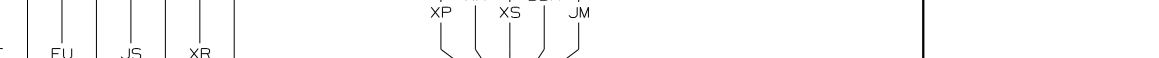
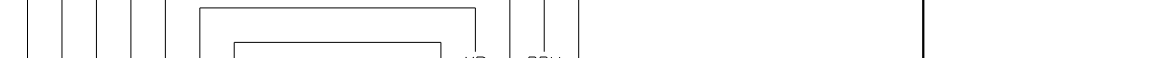
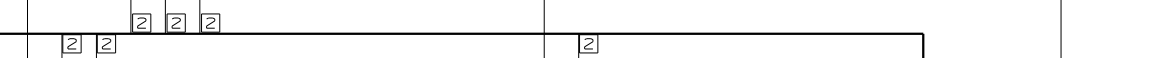
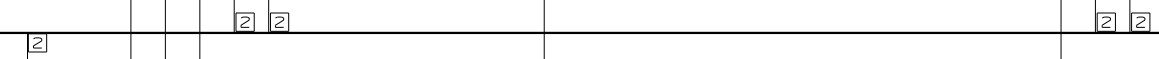
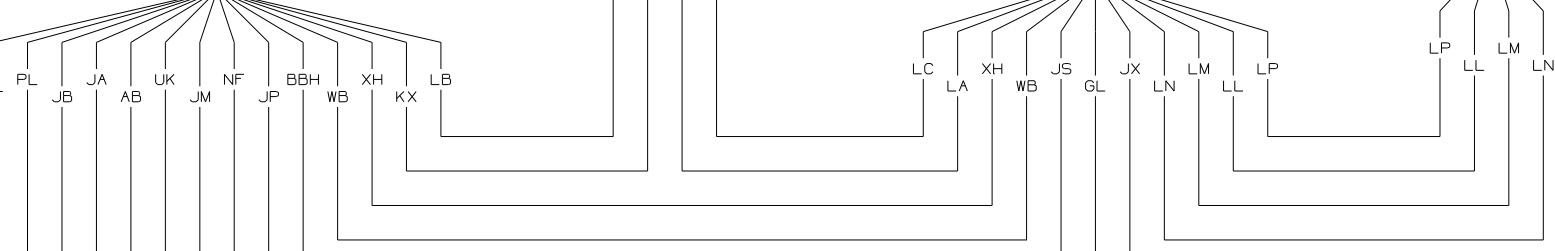
GND

GND

ET

JC

KE

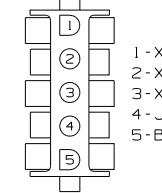


JC  
NC  
EU  
JY  
JS  
XS  
XR  
XP

- 1-JC 14 YEL
- 2-NC 14 WHT
- 3-XP 16 YEL
- 4-ET 16 YEL
- 5-EU 16 WHT
- 6-XR 16 YEL
- 7-JS 12 YEL
- 8-JY 12 WHT
- 9-XS 16 YEL

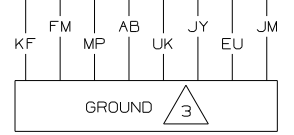
CONNECTS TO WIRE ASM-RIGHT (SHT 4, A-3) (LOCATED BELOW REFRIGERATOR)

XP  
XS  
BBH  
JM

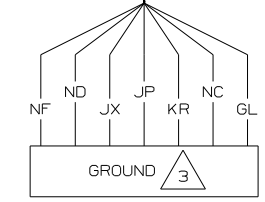


CONNECTS TO WIRE ASM-LEFT (SHT 3, C-8) (LOCATED BELOW BATH VANITY)

- 1-XP 16 YEL
- 2-XR 16 YEL
- 3-XS 16 YEL
- 4-JM 14 WHT
- 5-BBH 16 YEL

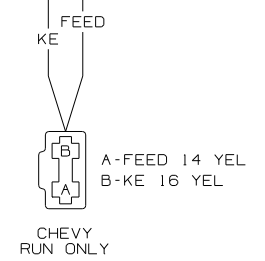


- KF 16 WHT
- FM 14 WHT
- MP 16 WHT
- AB 16 WHT
- UK 16 WHT
- JY 12 WHT
- EU 16 WHT
- JM 14 WHT

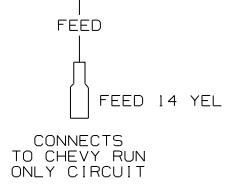


- NF 14 WHT
- ND 14 WHT
- JX 14 WHT
- JP 14 WHT
- KR 14 WHT
- NC 14 WHT
- GL 16 WHT
- NF 14 WHT

WIRING DIAGRAM-CHASSIS, GM (WIRE ASM 146701 REV-B)

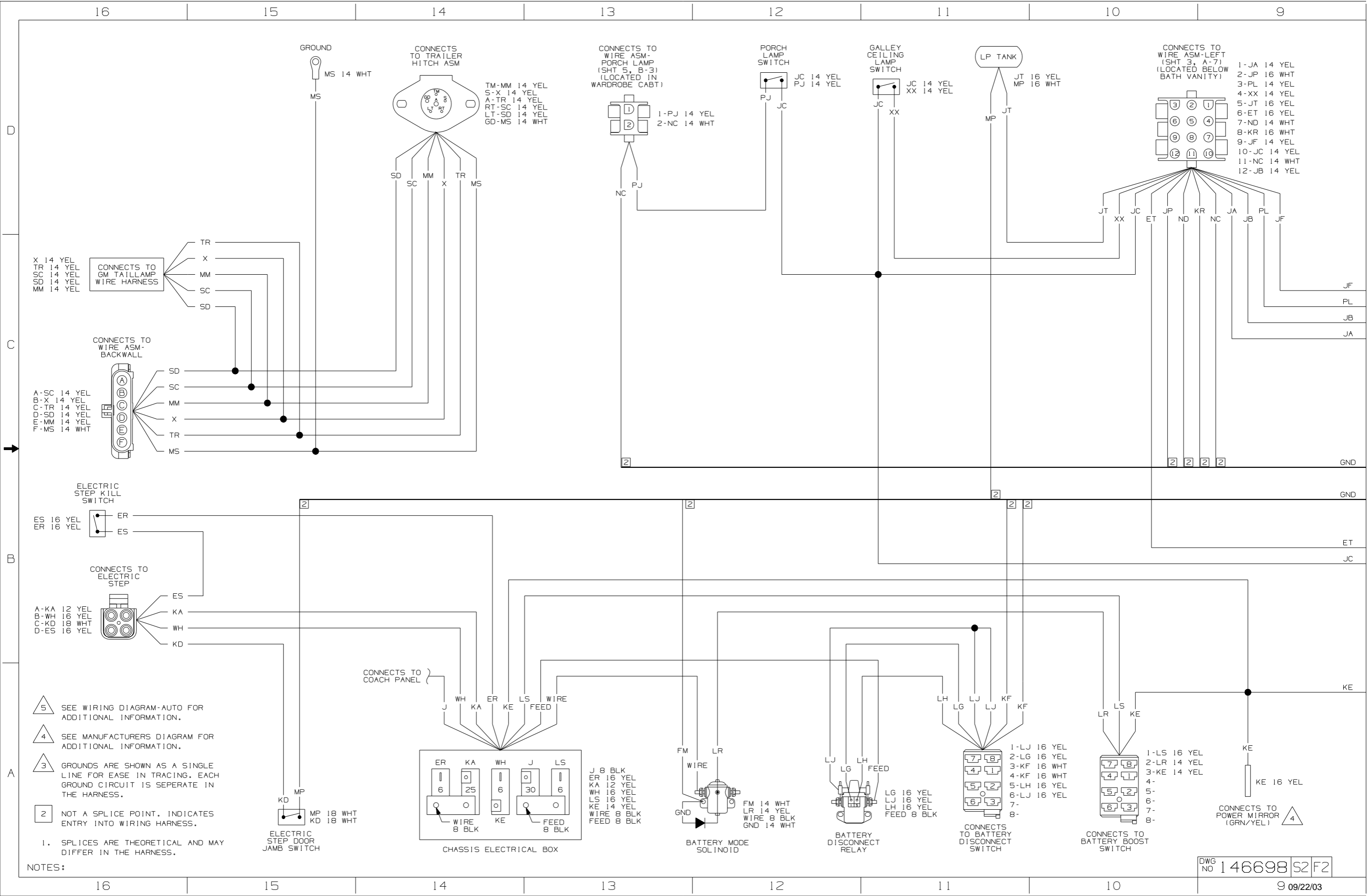


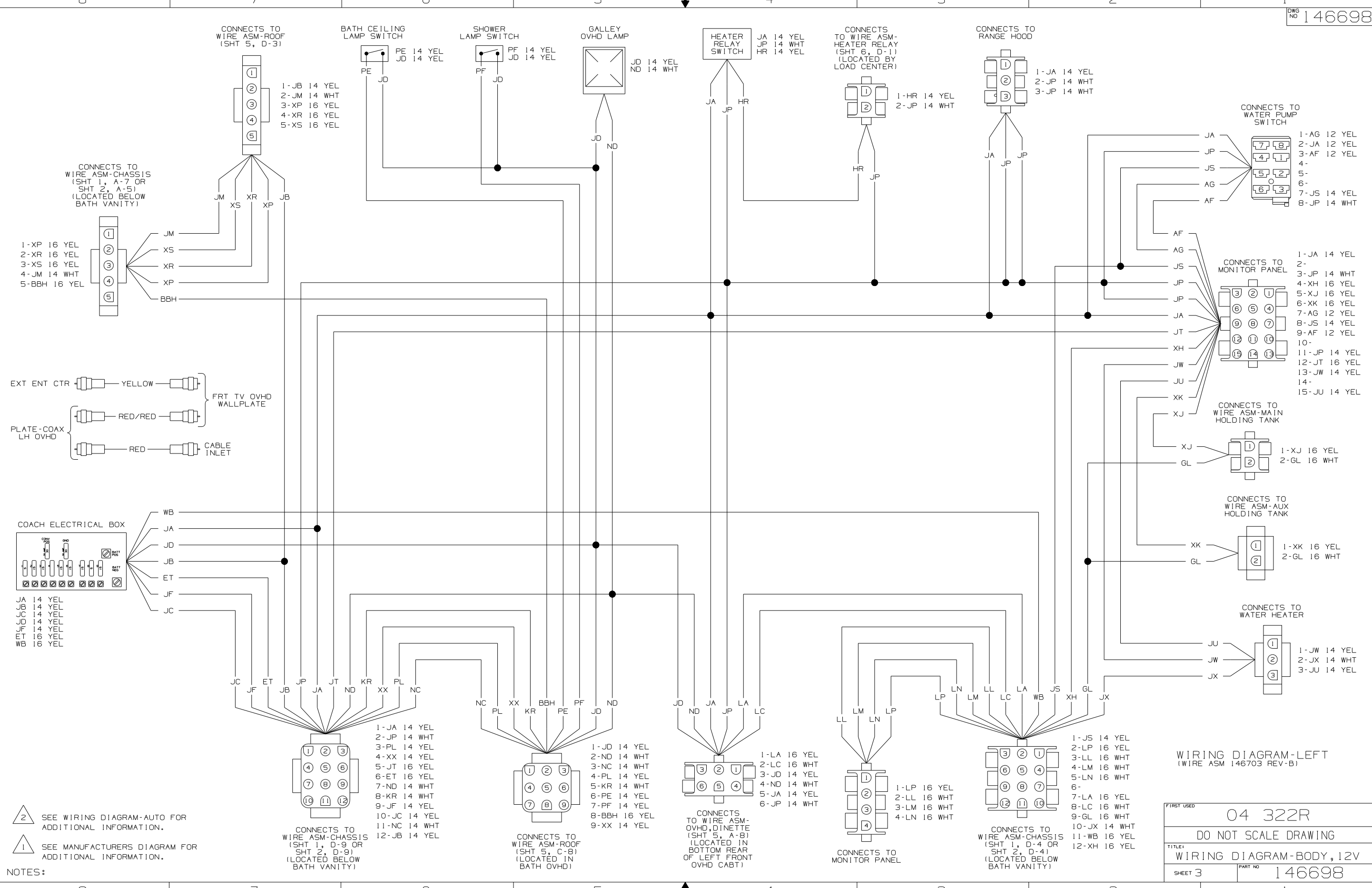
- A-FEED 14 YEL
- B-KE 16 YEL



CONNECTS TO CHEVY RUN ONLY CIRCUIT

|            |                          |
|------------|--------------------------|
| FIRST USED | 04 322R                  |
| TITLE      | DO NOT SCALE DRAWING     |
| TITLE      | WIRING DIAGRAM-BODY, 12V |
| SHEET 2    | PART NO 146698           |





NOTES:

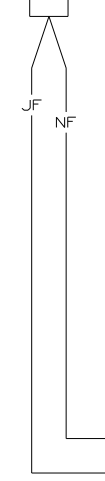
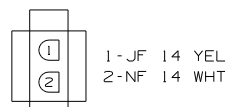
2 SEE WIRING DIAGRAM-AUTO FOR ADDITIONAL INFORMATION.

1 SEE MANUFACTURERS DIAGRAM FOR ADDITIONAL INFORMATION.

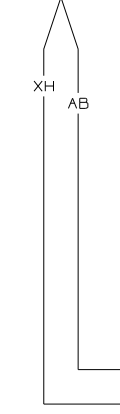
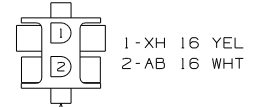
WIRING DIAGRAM-LEFT  
(WIRE ASM 146703 REV-B)

|                                    |                |
|------------------------------------|----------------|
| FIRST USED                         | 04 322R        |
| DO NOT SCALE DRAWING               |                |
| TITLE:<br>WIRING DIAGRAM-BODY, 12V |                |
| SHEET 3                            | PART NO 146698 |

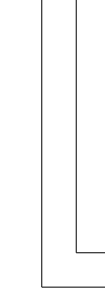
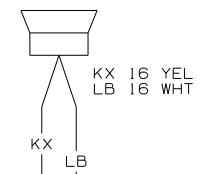
CONNECTS TO TWO-WAY RADIOS



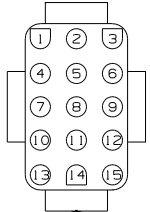
CONNECTS TO WIRE ASM-TANK, WATER



RIGHT COACH RADIO SPEAKER

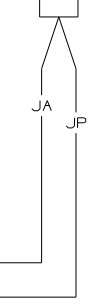
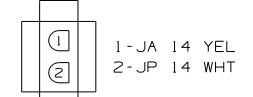


CONNECTS TO WIRE ASM-CHASSIS (SHT 1, D-8 OR SHT 2, D-8) (LOCATED BELOW REFRIGERATOR)

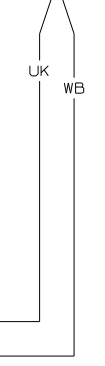
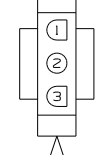


- 1-JM 14 WHT
- 2-XH 16 YEL
- 3-JA 14 YEL
- 4-JB 14 YEL
- 5-AB 16 WHT
- 6-JP 14 WHT
- 7-WB 16 YEL
- 8-UK 16 WHT
- 9-PL 14 YEL
- 10-BBH 16 YEL
- 11-LB 16 WHT
- 12-KX 16 YEL
- 13-JF 14 YEL
- 14-NF 14 WHT
- 15-

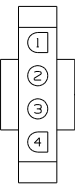
CONNECTS TO WIRE ASM-EXT ENT CTR (SHT 6, C-6) (LOCATE BELOW COUCH)



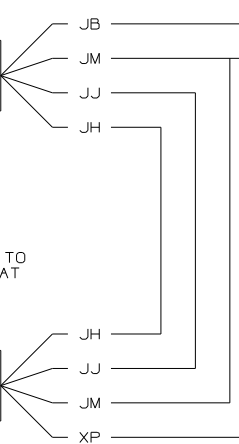
CONNECTS TO LP DETECTOR



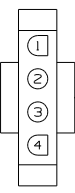
CONNECTS TO FURNACE



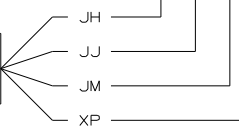
- 1-JM 14 WHT
- 2-JJ 14 YEL
- 3-JB 14 YEL
- 4-JH 14 YEL



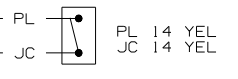
CONNECTS TO THERMOSTAT



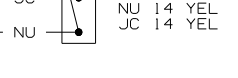
- 1-XP 16 YEL
- 2-JH 14 YEL
- 3-JM 14 WHT
- 4-JJ 14 YEL



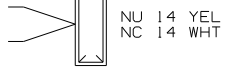
LOUNGE CEILING LAMP SWITCH



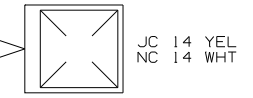
COURTESY LAMP SWITCH



COURTESY LAMP



FRONT COUCH OVHD LAMP



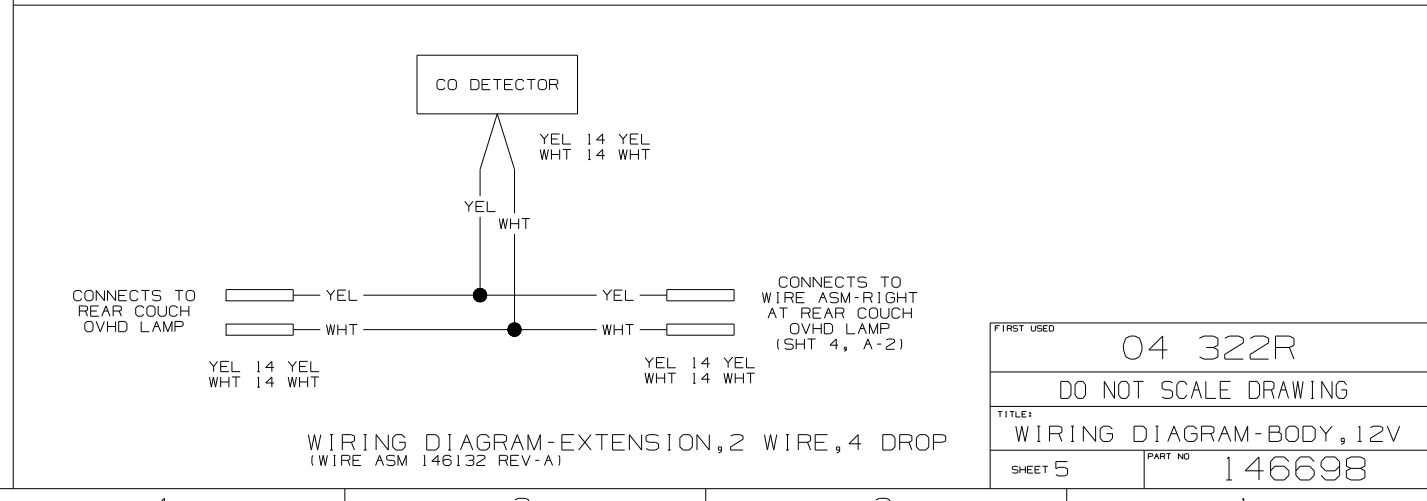
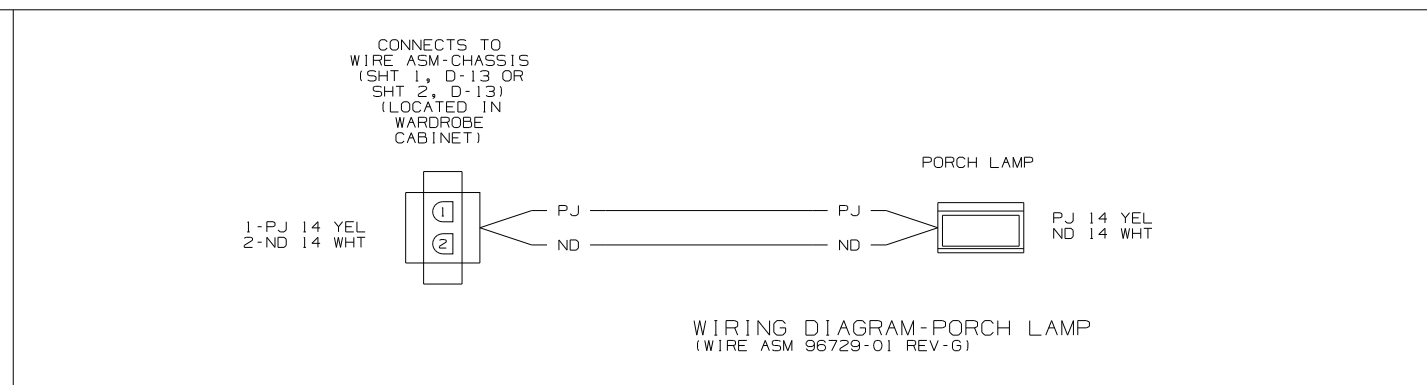
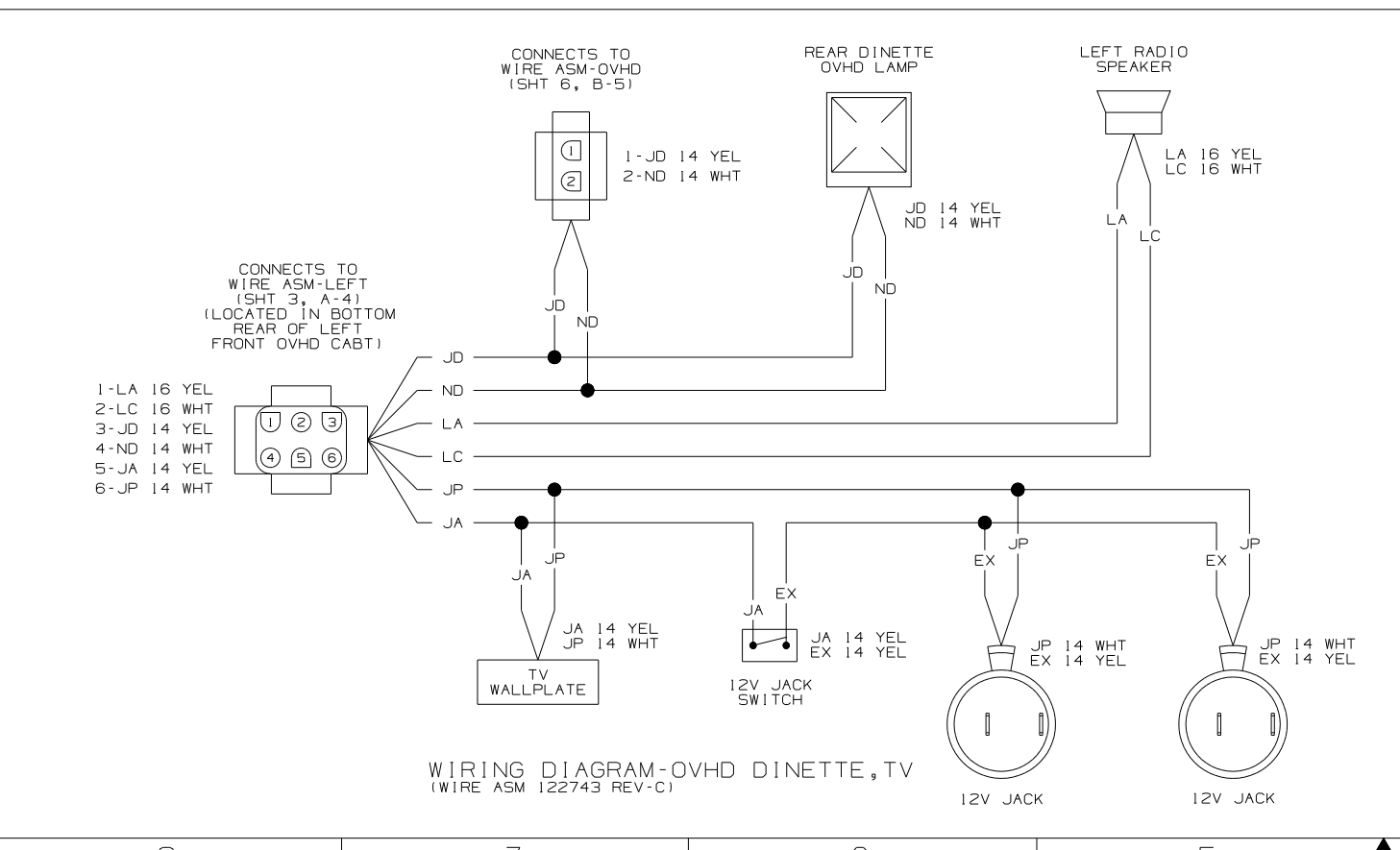
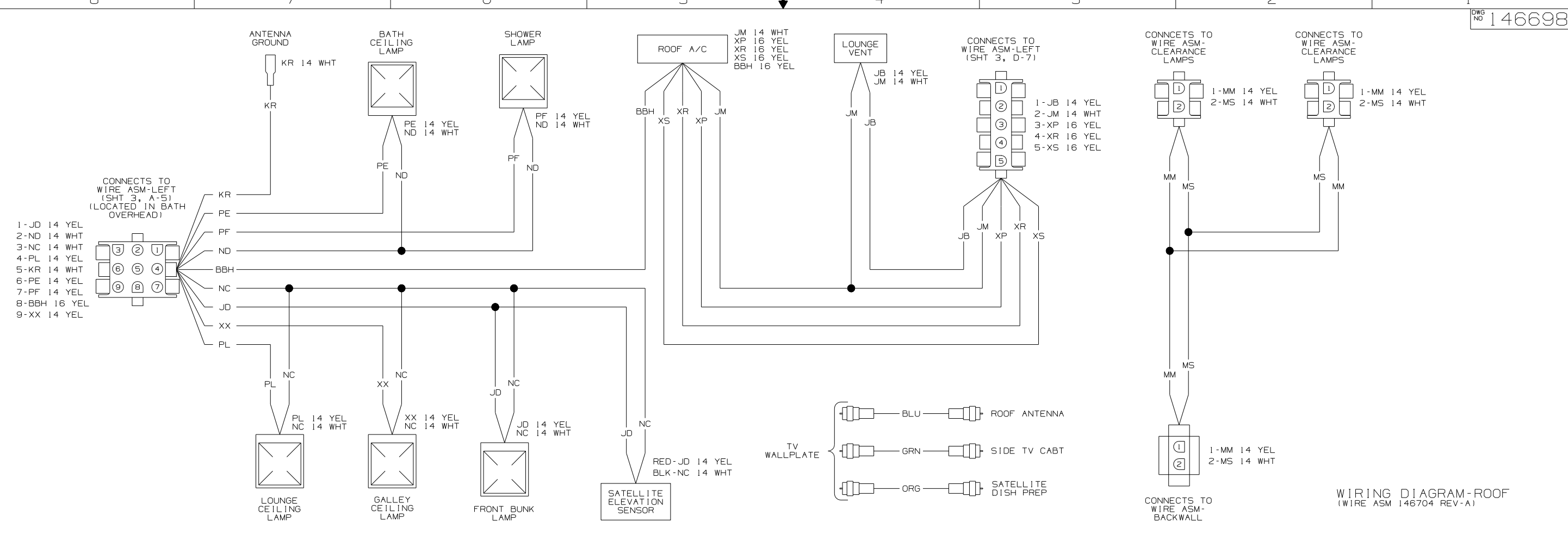
WIRING DIAGRAM-RIGHT (WIRE ASM 146702 REV-A)

|                      |                          |
|----------------------|--------------------------|
| FIRST USED           | 04 322R                  |
| DO NOT SCALE DRAWING |                          |
| TITLE                | WIRING DIAGRAM-BODY, 12V |
| SHEET 4              | PART NO 146698           |

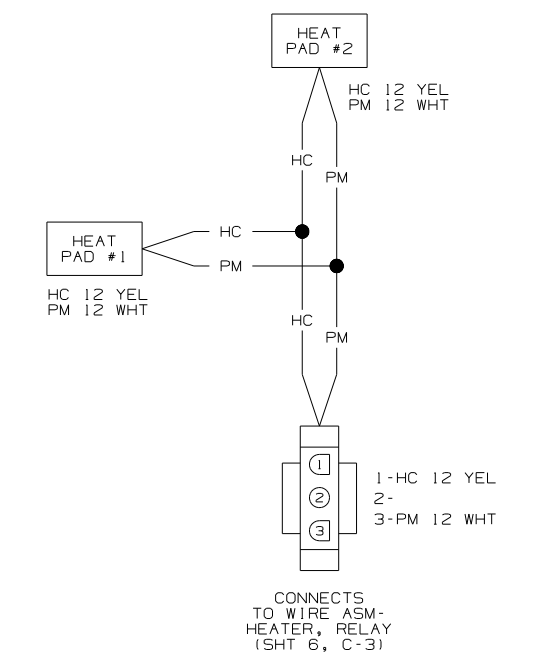
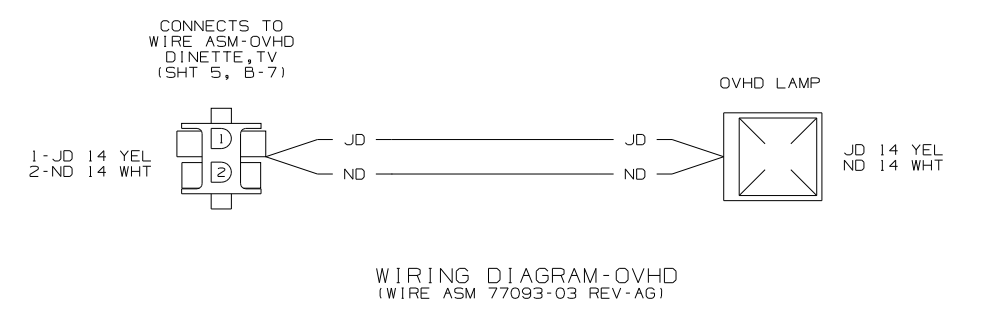
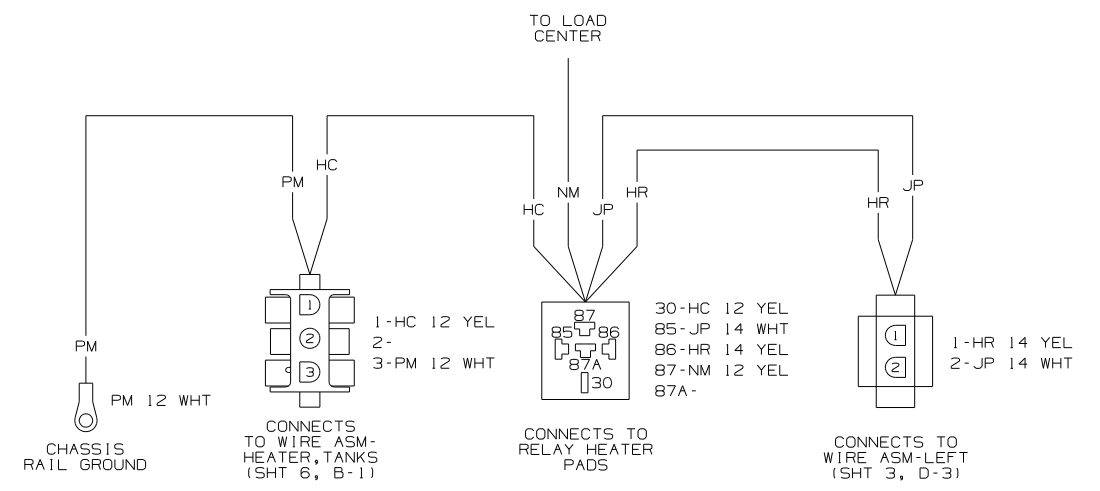
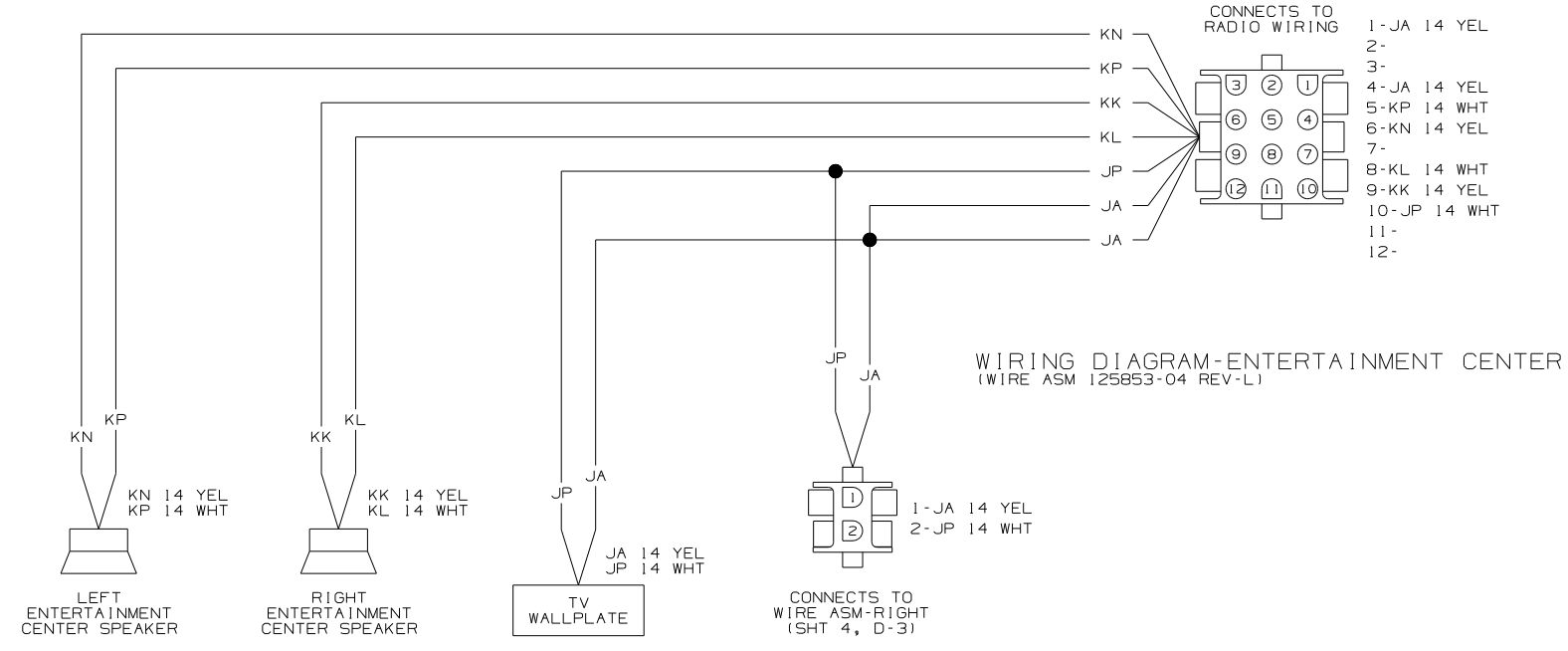
NOTES:

2 SEE WIRING DIAGRAM-AUTO FOR ADDITIONAL INFORMATION.

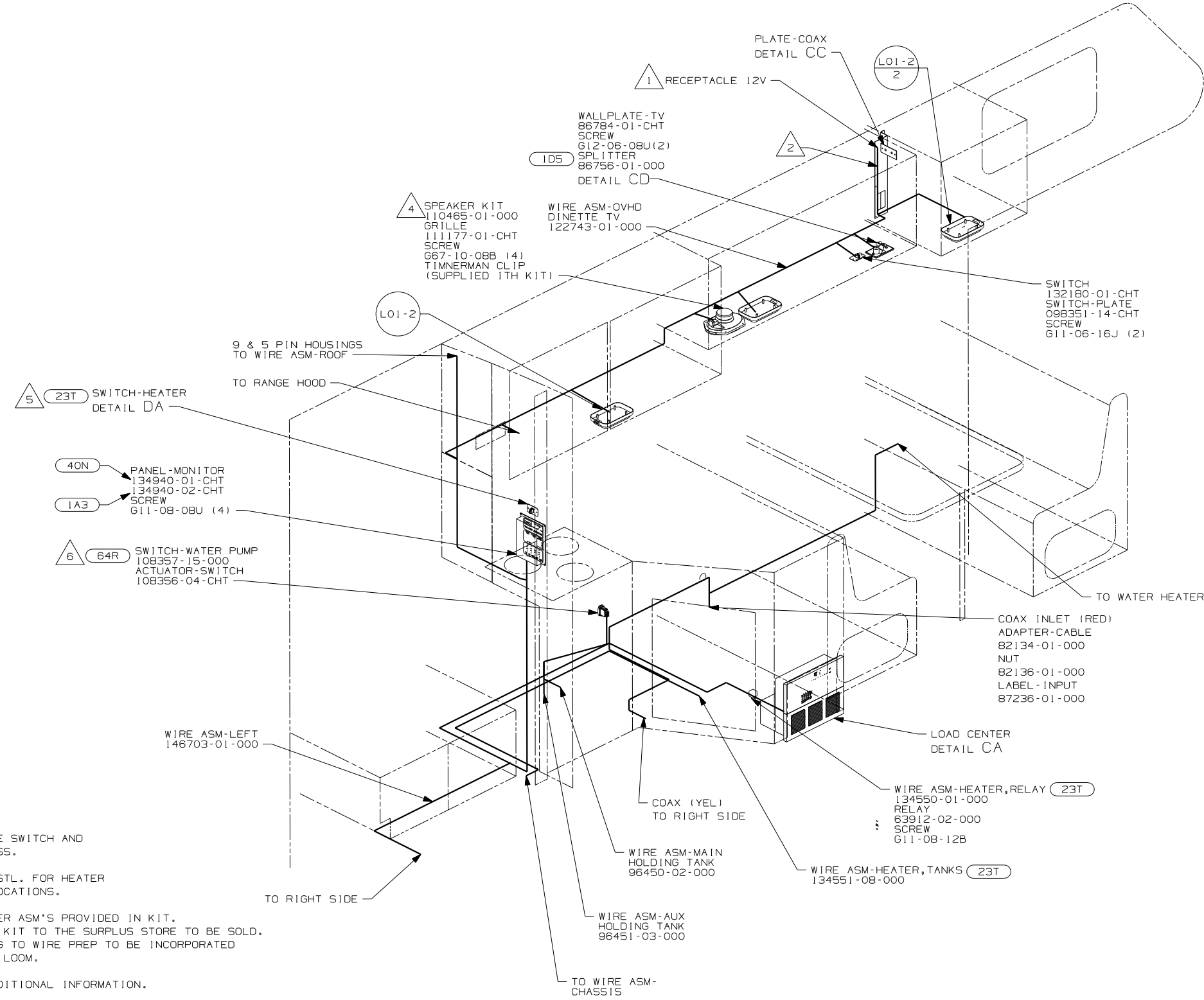
1 SEE MANUFACTURERS DIAGRAM FOR ADDITIONAL INFORMATION.



|            |                          |
|------------|--------------------------|
| FIRST USED | 04 322R                  |
| TITLE      | DO NOT SCALE DRAWING     |
|            | WIRING DIAGRAM-BODY, 12V |
| SHEET 5    | PART NO 146698           |



|            |                          |
|------------|--------------------------|
| FIRST USED | 04 322R                  |
| TITLE      | DO NOT SCALE DRAWING     |
| TITLE      | WIRING DIAGRAM-BODY, 12V |
| SHEET 6    | PART NO 146698           |



- △ 6 WITHOUT 64R WIRE TIE SWITCH AND WIRE ASM TO MAIN HARNESS.
- △ 5 SEE DRAINAGE SYSTEM INSTL. FOR HEATER PAD PART NUMBERS AND LOCATIONS.
- △ 4 USE ONE OF THE 4 SPEAKER ASM'S PROVIDED IN KIT. SEND THE SCREWS IN THE KIT TO THE SURPLUS STORE TO BE SOLD. SEND THE WIRE ASM W/HSG TO WIRE PREP TO BE INCORPORATED INTO THE NECESSARY WIRE LOOM.
- △ 3 SEE CABT ASM-TV FOR ADDITIONAL INFORMATION.
- △ 2 TAPE BACK JA AND JP FOR 2ND 12V JACK WHEN IT IS NOT NEEDED.
- △ 1 SEE WIRING INSTL-TV/VCR, SIDE FOR ADDITIONAL INFORMATION.

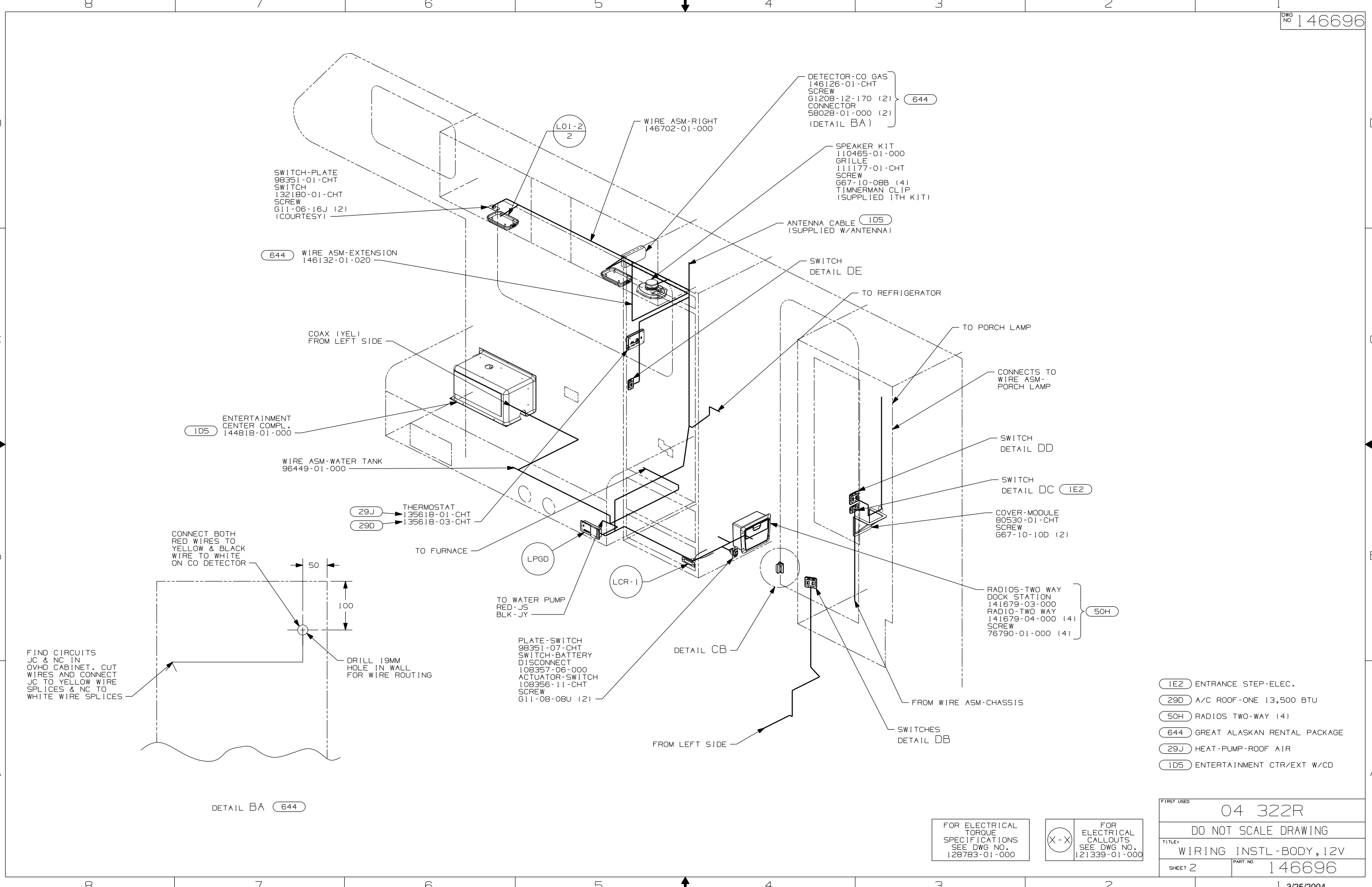
NOTES:

- 64R EXTERIOR WASH STATION
- 1D5 ENTERTAINMENT CENTR/EXT W/CD
- 40N GEN-4.0KW-ONAN-GAS-MICROLITE
- 1A3 GENERATOR WITHOUT
- 23T HEATED HOLDING TANKS-PACKAGE

|                                  |                                      |   |  |
|----------------------------------|--------------------------------------|---|--|
| <b>WINNEBAGO</b>                 |                                      | COPYRIGHT 2004<br>WINNEBAGO<br>INDUSTRIES, INC. |  |
| DFTR                             | ORIG. DATE                           |   |  |
| CHKR                             | ALL DIMENSIONS ARE<br>IN MILLIMETERS |   |  |
| P.E.                             | FIRST USED                           | 04 322R   |  |
| M.E.                             |                                      |   |  |
| DSNR                             |                                      |   |  |
| UNSPECIFIED TOLERANCES ARE:      |                                      | MATERIAL:                                       |  |
| WHOLE DIM (X)                    | : 1                                  |   |  |
| ONE-PLACE (X.X)                  | : 1.5                                |   |  |
| TWO-PLACE (X.XX)                 | : 0.50                               |   |  |
| ANGLE                            | : 1°                                 |   |  |
| THIRD ANGLE<br>PROJECTION        |                                      | DO NOT SCALE DRAWING                            |  |
| TITLE:<br>WIRING INSTL-BODY, 12V |                                      |   |  |
| SHEET 1 of 6                     | PART NO                              | 146696  |  |
| REF:                             | 1 3/25/2004                          |   |  |

FOR ELECTRICAL  
TORQUE  
SPECIFICATIONS  
SEE DWG NO.  
128783-01-000

FOR  
ELECTRICAL  
CALLOUTS  
SEE DWG NO.  
121339-01-000



SWITCH-PLATE  
98351-01-CHT  
SWITCH  
132180-01-CHT  
SCREW  
G11-06-16J (2)  
(COURTESY)

644 WIRE ASM-EXTENSION  
146132-01-020

COAX (YEL)  
FROM LEFT SIDE

1D5 ENTERTAINMENT  
CENTER COMPL.  
144818-01-000

WIRE ASM-WATER TANK  
96449-01-000

29J THERMOSTAT  
135618-01-CHT  
29D 135618-03-CHT

CONNECT BOTH  
RED WIRES TO  
YELLOW & BLACK  
WIRE TO WHITE  
ON CO DETECTOR

50

100

DRILL 19MM  
HOLE IN WALL  
FOR WIRE ROUTING

FIND CIRCUITS  
JC & NC IN  
OVHD CABINET. CUT  
WIRES AND CONNECT  
JC TO YELLOW WIRE  
SPICES & NC TO  
WHITE WIRE SPICES

DETAIL BA 644

WIRE ASM-RIGHT  
146702-01-000

L01-2  
2

DETECTOR-CO GAS  
146126-01-CHT  
SCREW  
G1208-12-170 (2)  
CONNECTOR  
58028-01-000 (2)  
(DETAIL BA)

644

SPEAKER KIT  
110465-01-000  
GRILLE  
111177-01-CHT  
SCREW  
G67-10-08B (4)  
TIMMERMAN CLIP  
(SUPPLIED ITH KIT)

ANTENNA CABLE  
(SUPPLIED W/ANTENNA)

1D5

SWITCH  
DETAIL DE

TO REFRIGERATOR

TO PORCH LAMP

CONNECTS TO  
WIRE ASM-  
PORCH LAMP

SWITCH  
DETAIL DD

SWITCH  
DETAIL DC 1E2

COVER-MODULE  
80530-01-CHT  
SCREW  
G67-10-10D (2)

RADIOS-TWO WAY  
DOCK STATION  
141679-03-000  
RADIO-TWO WAY  
141679-04-000 (4)  
SCREW  
76790-01-000 (4)

50H

TO FURNACE

LPGD

TO WATER PUMP  
RED-JS  
BLK-JY

LCR-1

PLATE-SWITCH  
98351-07-CHT  
SWITCH-BATTERY  
DISCONNECT  
108357-06-000  
ACTUATOR-SWITCH  
108356-11-CHT  
SCREW  
G11-08-08U (2)

DETAIL CB

FROM WIRE ASM-CHASSIS

SWITCHES  
DETAIL DB

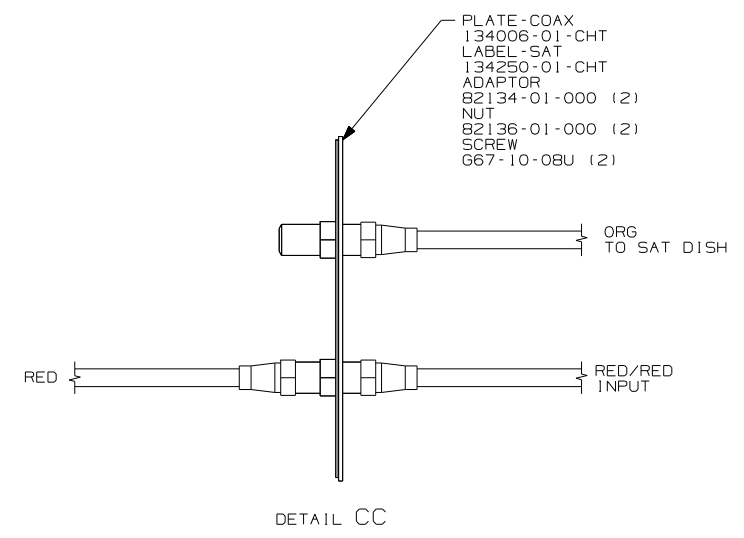
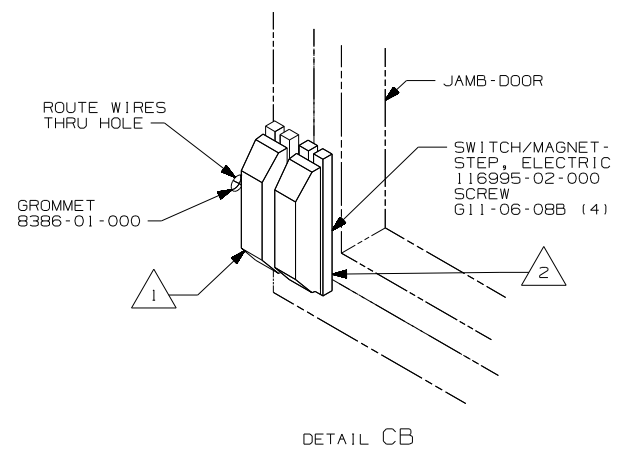
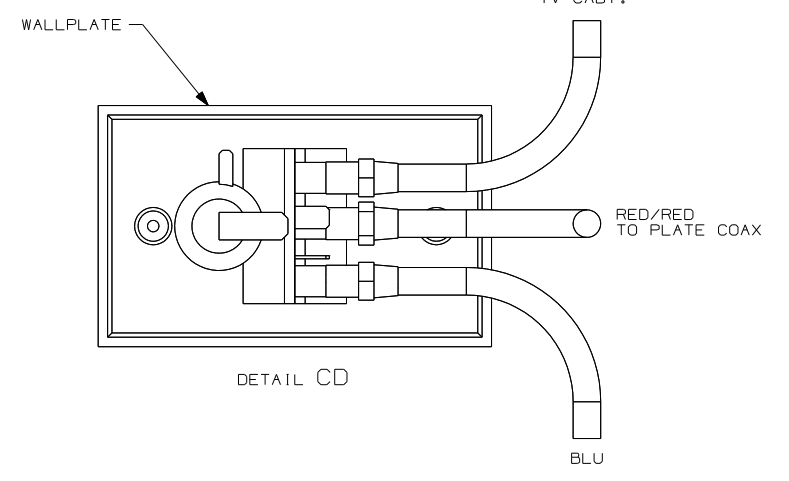
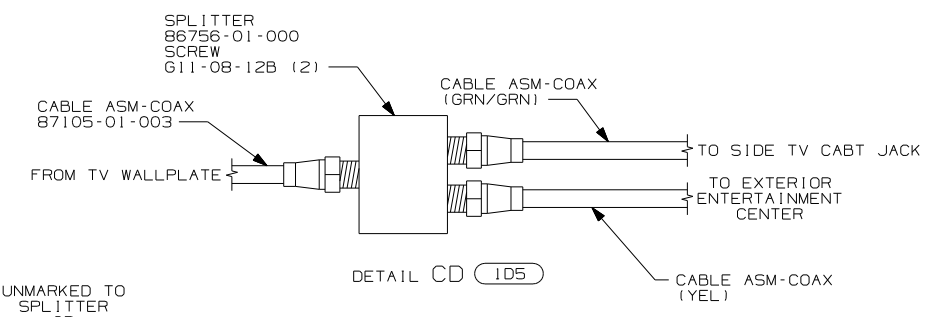
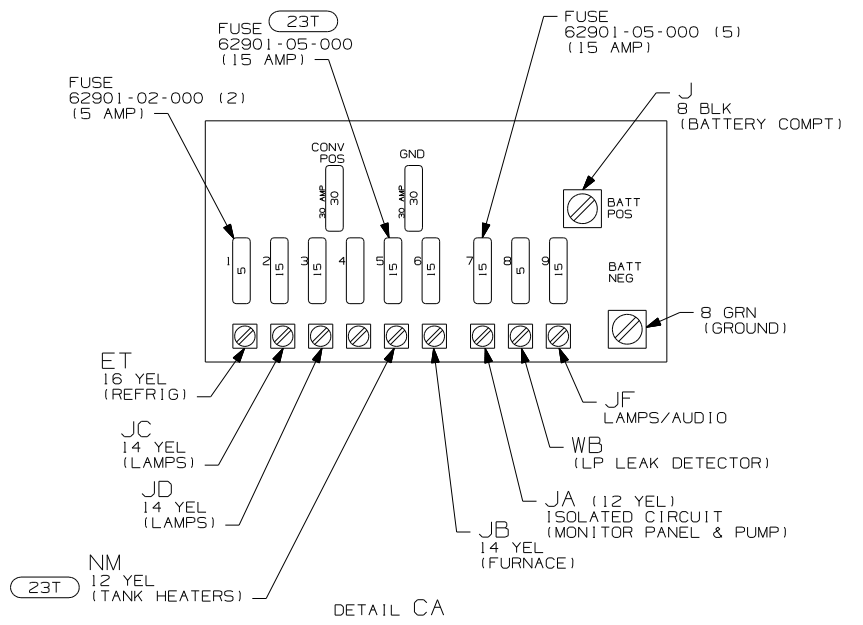
FROM LEFT SIDE

- 1E2 ENTRANCE STEP-ELEC.
- 29D A/C ROOF-ONE 13,500 BTU
- 50H RADIOS TWO-WAY (4)
- 644 GREAT ALASKAN RENTAL PACKAGE
- 29J HEAT-PUMP-ROOF AIR
- 1D5 ENTERTAINMENT CTR/EXT W/CD

FOR ELECTRICAL  
TORQUE  
SPECIFICATIONS  
SEE DWG NO.  
128783-01-000

FOR  
ELECTRICAL  
CALLOUTS  
SEE DWG NO.  
121339-01-000

|                      |                          |
|----------------------|--------------------------|
| FIRST USED           | 04 322R                  |
| DO NOT SCALE DRAWING |                          |
| TITLE:               | WIRING INSTL - BODY, 12V |
| SHEET 2              | PART NO 146696           |
| 1 3/25/2004          |                          |



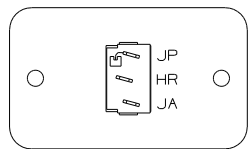
- NOTES:
- 2 MOUNT MAGNET USING PILOT HOLES IN SCREEN DOOR FRAME. MOUNT WITH MAGNET TOWARD SWITCH.
  - 1 MOUNT SWITCH AND SPACER TO BLOCK ON JAMB. ADJUST HEIGHT TO MATCH MAGNET.

- (ID5) ENTERTAINMENT CENTR/EXT W/CD
- (23T) DRAINAGE SYSTEM-HEATED

FOR ELECTRICAL TORQUE SPECIFICATIONS SEE DWG NO. 128783-01-000

FOR ELECTRICAL CALLOUTS SEE DWG NO. 121339-01-000

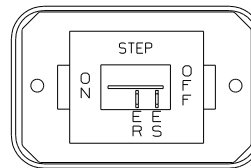
|            |                        |
|------------|------------------------|
| FIRST USED | 04 322R                |
| TITLE      | DO NOT SCALE DRAWING   |
|            | WIRING INSTL-BODY, 12V |
| SHEET 3    | PART NO 146696         |



SWITCH-HEATER  
89308-05-CHT  
PLATE-SWITCH  
98351-01-CHT  
SCREW  
G11-06-16J (2)  
LABEL-SWITCH  
134563-01-CHT

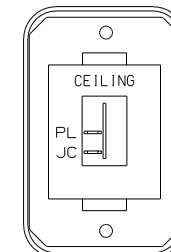
HOLDING TANK HEATER  
TURN OFF When Not In Use  
SEE OPERATORS MANUAL

DETAIL DA (23T)



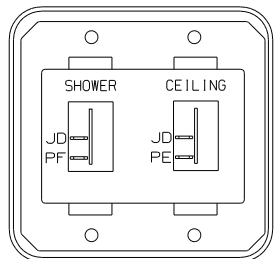
SWITCH-ROCKER  
135740-01-CHT  
SWITCH-BASE  
135741-01-CHT  
SWITCH-BEZEL  
135742-11-CHT  
SCREW  
G11-08-08U (2)

DETAIL DC (1E2)



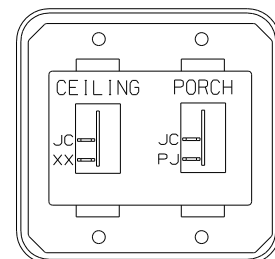
SWITCH-ROCKER  
135740-01-CHT  
SWITCH-BASE  
135741-01-CHT  
SWITCH-BEZEL  
135742-07-CHT  
SCREW  
G11-08-08U (2)

DETAIL DE



SWITCH-ROCKER  
135740-01-CHT (2)  
SWITCH-BASE  
135741-02-CHT  
SWITCH-BEZEL  
135742-15-CHT  
SCREW  
G11-08-08U (4)

DETAIL DB



SWITCH-ROCKER  
135740-01-CHT (2)  
SWITCH-BASE  
135741-02-CHT  
SWITCH-BEZEL  
135742-19-CHT  
SCREW  
G11-08-08U (4)

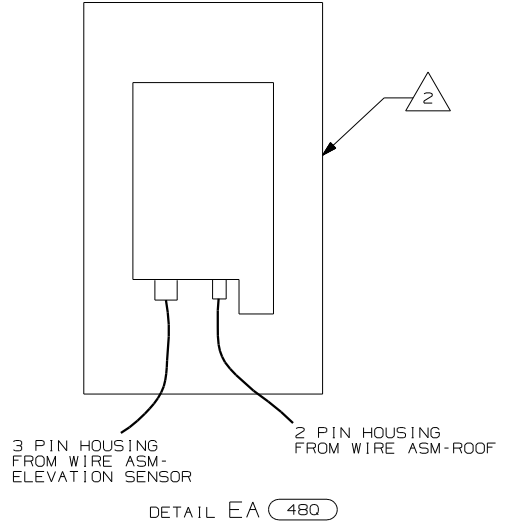
DETAIL DD

(1E2) ENTRANCE STEP-ELEC.  
(23T) DRAINAGE SYSTEM-HEATED

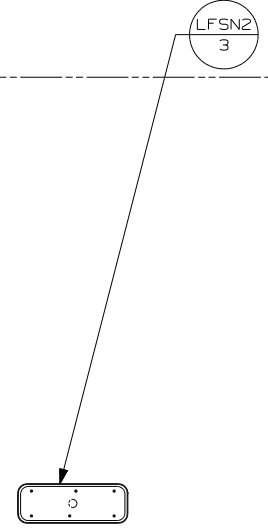
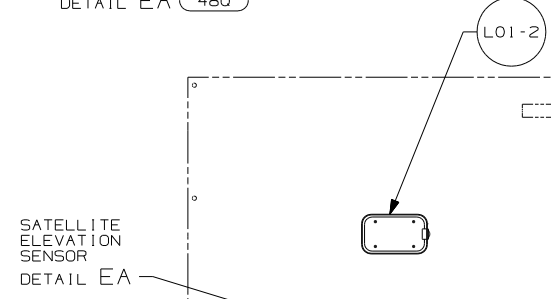
FOR ELECTRICAL  
TORQUE  
SPECIFICATIONS  
SEE DWG NO.  
128783-01-000

(X-X)  
FOR  
ELECTRICAL  
CALLOUTS  
SEE DWG NO.  
121339-01-000

|                      |                        |
|----------------------|------------------------|
| FIRST USED           | 04 322R                |
| DO NOT SCALE DRAWING |                        |
| TITLE                | WIRING INSTL-BODY, 12V |
| SHEET 4              | PART NO 146696         |



DETAIL EA 480



480 SATELLITE DISH & ELEV. SENSOR

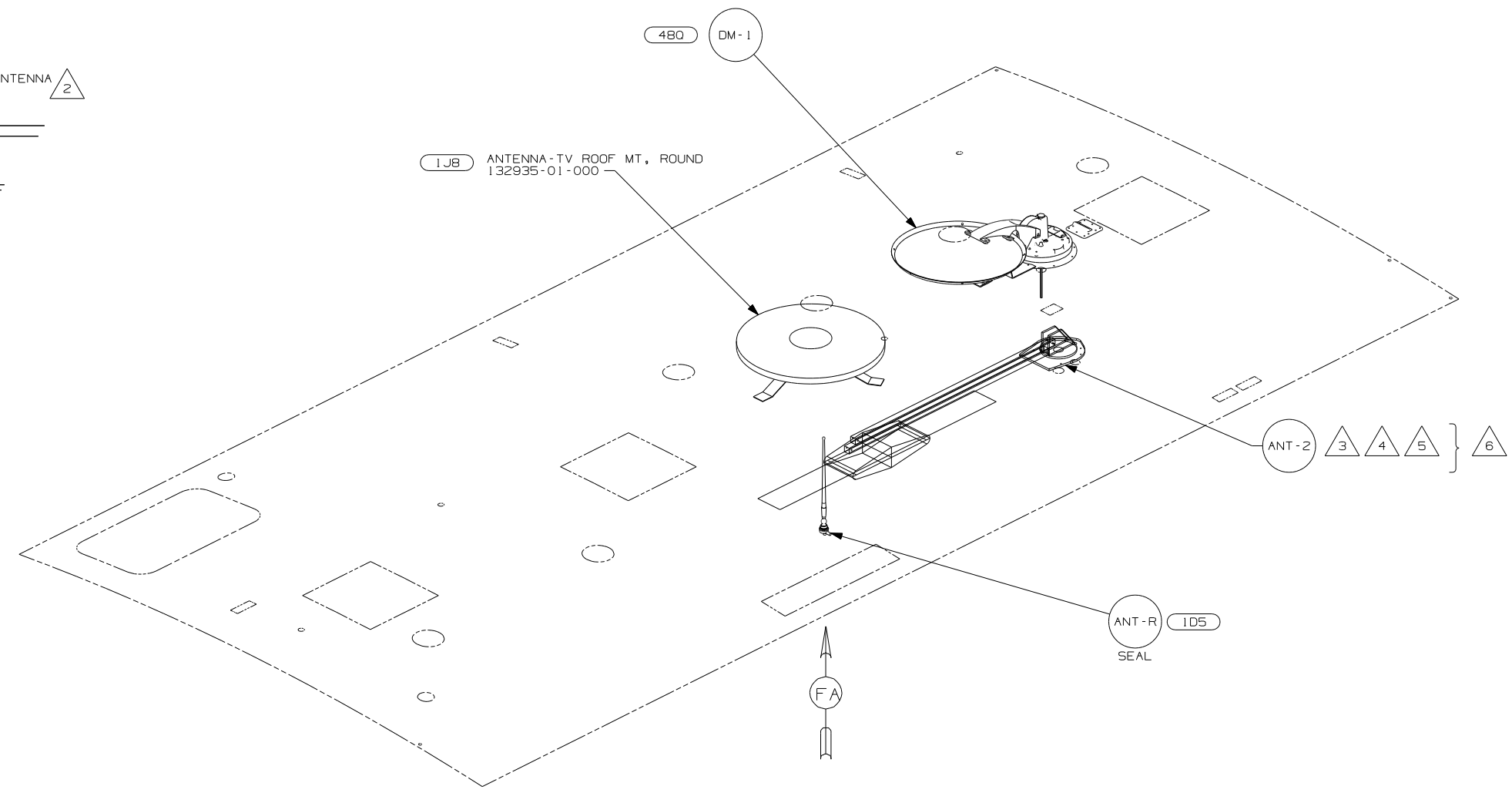
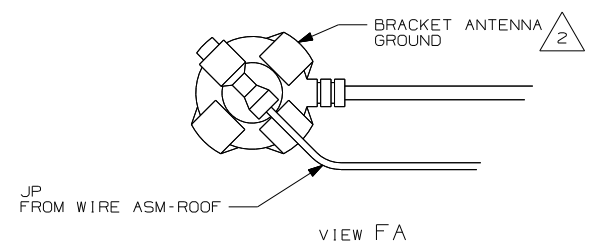
- 2 SENSOR SUPPLIED WITH SATELLITE ASSEMBLY.
1. SEE ROOF ASM FOR ADDITIONAL INFORMATION.

NOTES:

FOR ELECTRICAL TORQUE SPECIFICATIONS SEE DWG NO. 128783-01-000

(X-X) FOR ELECTRICAL CALLOUTS SEE DWG NO. 121339-01-000

|                      |                        |
|----------------------|------------------------|
| FIRST USED           | 04 322R                |
| DO NOT SCALE DRAWING |                        |
| TITLE                | WIRING INSTL-BODY, 12V |
| SHEET 5              | PART NO 146696         |



- 6 NOT USED WITH 1JB .
- 5 ADD RUBBER BUMPERS TO ROOF UNDER EACH END OF ANTENNA IN DOWN POSITION.
- 4 LOCATE CLIP TO RETAIN CABLE BUT NOT TO RESTRICT ANTENNA.
- 3 SEE DRAWING 76319-01-000 FOR INSTALLATION OF TV ANTENNA.
- 2 WRAP BRACKET LEGS AROUND ANTENNA BASE.

1. CONNECTOR-PLUG,TRAILER 113589-01-000 TO BE SUPPLIED LOOSE IN COACH WITH TRAILER TOW PACKAGE.

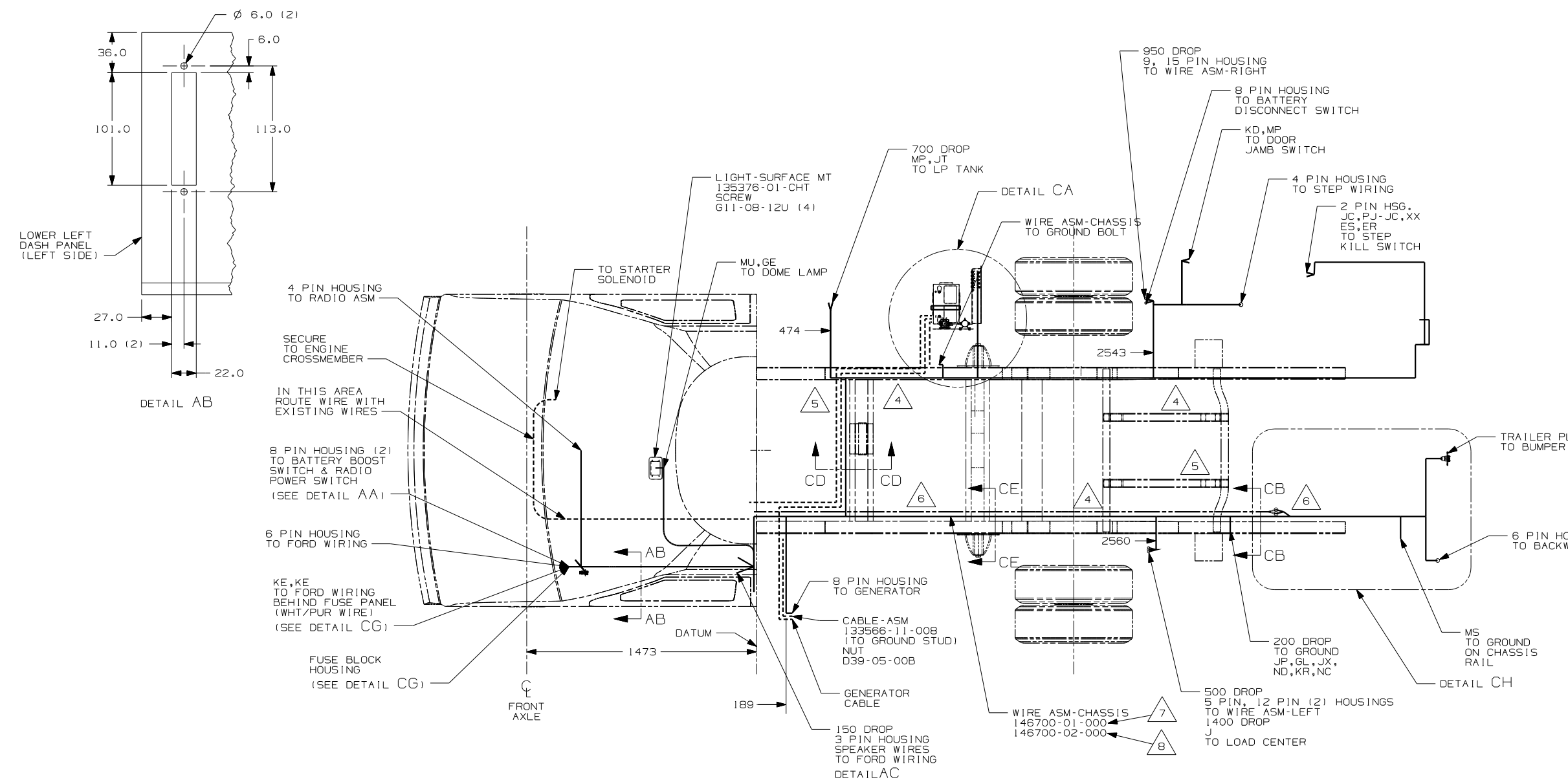
NOTES:

- 1JB TV ANTENNA-OMNIDIRECTIONAL
- 480 SATELLITE DISH & ELEV. SENSOR
- 1D5 ENTERTAINMENT CTR/EXT W/CD

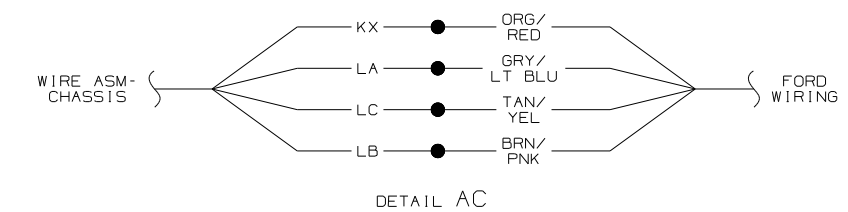
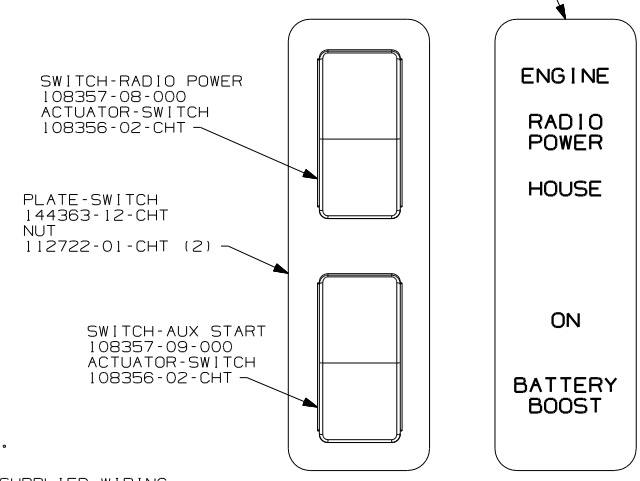
FOR ELECTRICAL TORQUE SPECIFICATIONS SEE DWG NO. 128783-01-000

FOR ELECTRICAL CALLOUTS SEE DWG NO. 121339-01-000

|                      |                       |
|----------------------|-----------------------|
| FIRST USED           | 04 322R               |
| DO NOT SCALE DRAWING |                       |
| TITLE:               | WIRING INSTL-BODY,12V |
| SHEET 6              | PART NO 146696        |



- 8 USED WITH 04 FORD CHASSIS
  - 7 USED WITH 03 FORD CHASSIS
  - 6 WIRES TO BE TIED INSIDE OF RAIL USING EXISTING HOLES.
  - 5 WIRES TO BE TIED TO CROSSMEMBER USING EXISTING HOLES.
  - 4 WIRES TO BE TIED ON TOP OF RAIL USING EXISTING HOLES.
3. USE WITH TIES 8343-04-000 AND 116673-01-000 APPROXIMATELY 600MM ON CENTER UNLESS OTHERWISE SPECIFIED.
2. SECURE CONDUIT 41953-01-000 OVER ALL WIRES IN CONTACT WITH SHARP EDGES.
1. LEGEND: \_\_\_\_\_ WINNEBAGO: - - - - - CABLE: - - - - - CHASSIS SUPPLIED WIRING.
- NOTES:



16B FORD CHASSIS - 10,700# GVWR  
 1DN FORD 5.4L/V8 ENGINE EXCHANGE  
 1DN 16B

**WINNEBAGO** COPYRIGHT 2004 WINNEBAGO INDUSTRIES, INC.

|      |                                   |
|------|-----------------------------------|
| D/FR | ORIG. DATE                        |
| CHKR | ALL DIMENSIONS ARE IN MILLIMETERS |
| P.E. |                                   |
| M.E. | FIRST USED                        |
| DSNR | 04 322R                           |

UNSPECIFIED TOLERANCES ARE: MATERIAL:

WHOLE DIM (X) :  
 ONE-PLACE (X.X) :  
 TWO-PLACE (X.XX) :  
 ANGLE :  
 THIRD ANGLE PROJECTION

**DO NOT SCALE DRAWING**

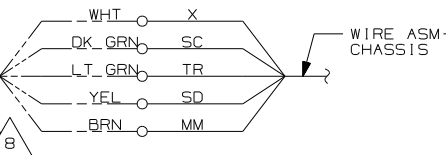
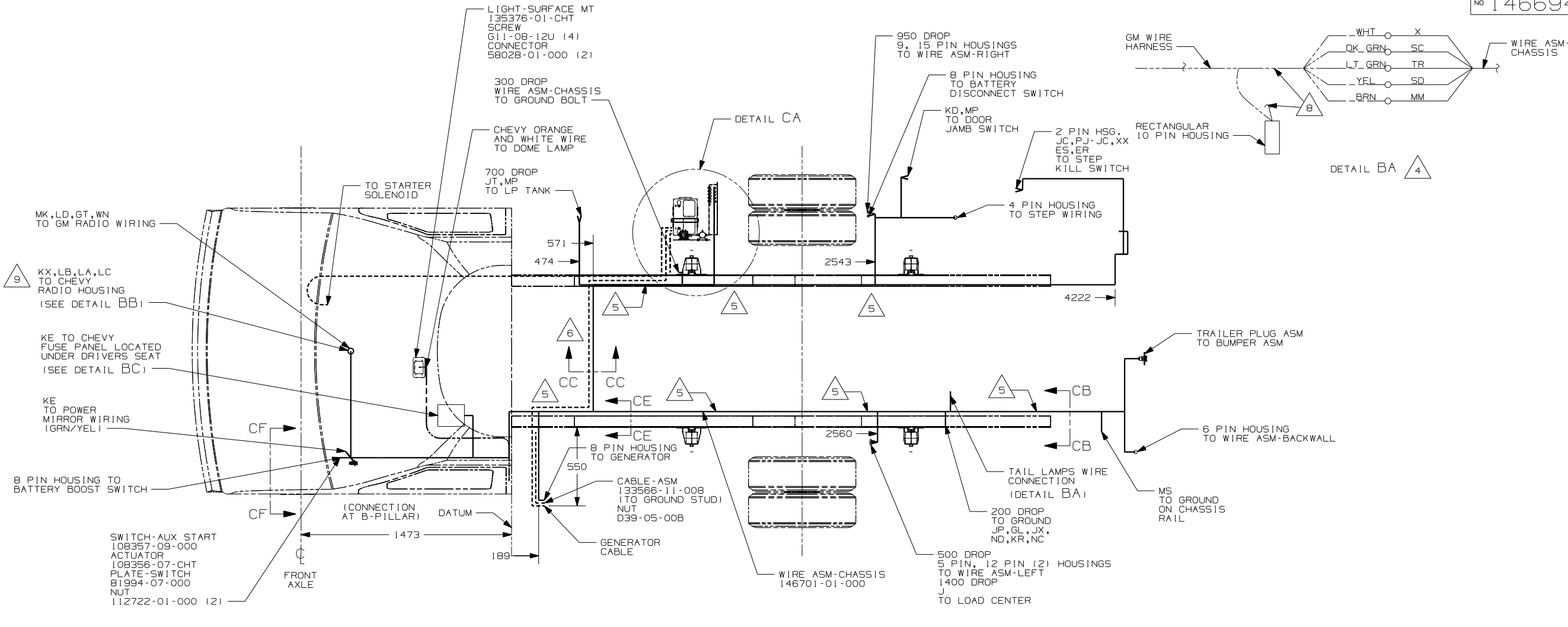
TITLE: **WIRING INSTL-CHASSIS**

SHEET 1 of 4 PART NO: **146694**

REF: 1 3/16/2004

FOR ELECTRICAL TORQUE SPECIFICATIONS SEE DWG NO. 128783-01-000

(X-X) FOR ELECTRICAL CALLOUTS SEE DWG NO. 121339-01-000



DETAIL BA 4

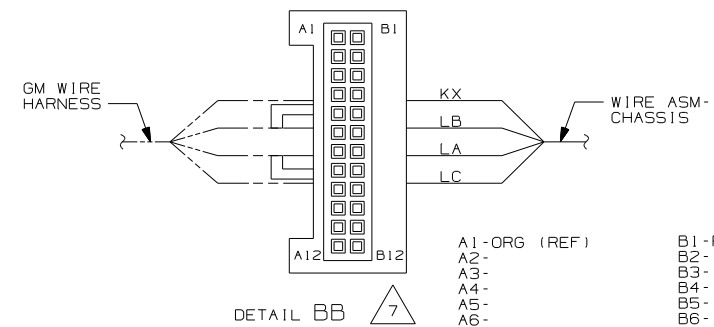
9 KX, LB, LA, LC TO CHEVY RADIO HOUSING (SEE DETAIL BB)

KE TO CHEVY FUSE PANEL LOCATED UNDER DRIVERS SEAT (SEE DETAIL BC)

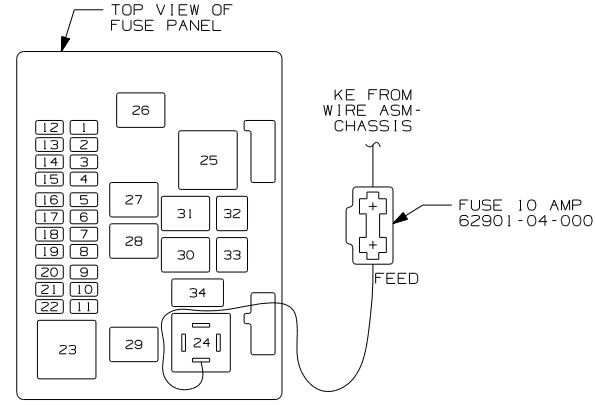
KE TO POWER MIRROR WIRING (GRN/YEL)

8 PIN HOUSING TO BATTERY BOOST SWITCH

SWITCH-AUX START 108357-09-000 ACTUATOR 108356-07-CHT PLATE-SWITCH 81994-07-000 NUT 112722-01-000 (2)



- A1-ORG (REF)
- A2-
- A3-
- A4-
- A5-
- A6-
- A7-
- A8-DK BLU (REF)
- A9-LT BLU (REF)
- A10-LB
- A11-KX
- A12-BLK/WHT (REF)
- B1-RED/WHT (REF)
- B2-
- B3-
- B4-
- B5-
- B6-
- B7-
- B8-LA
- B9-LC
- B10-DK GRN (REF)
- B11-ORG (REF)
- B12-



DETAIL BC

- 9 REMOVE RADIO FROM DASH TO EXPOSE HOUSING.
- 8 CUT AND REMOVE WIRES AT GM HOUSING TO MAKE NEW CONNECTION.
- 7 INSERT TERMINALS INTO HOUSING AS SHOWN.
- 6 WIRES TO BE TIED TO CROSSMEMBER USING EXISTING HOLES.
- 5 WIRES TO BE TIED ON TOP OF RAIL USING EXISTING HOLES.
- 4 INSERT FEED WIRE AS SHOWN.

3. USE WITH TIES 8343-04-000 AND 116673-01-000 APPROXIMATELY 600MM ON CENTER UNLESS OTHERWISE SPECIFIED.

2. SECURE CONDUIT 41953-01-000 OVER ALL WIRES IN CONTACT WITH SHARP EDGES.

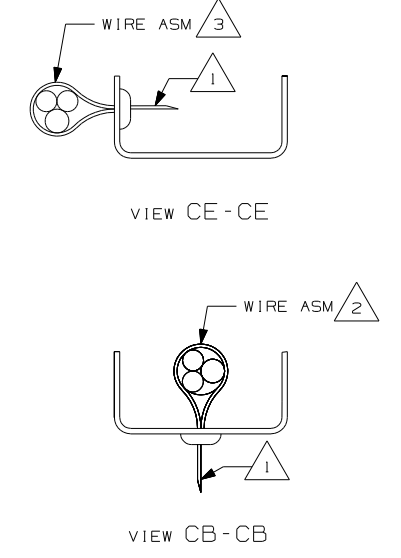
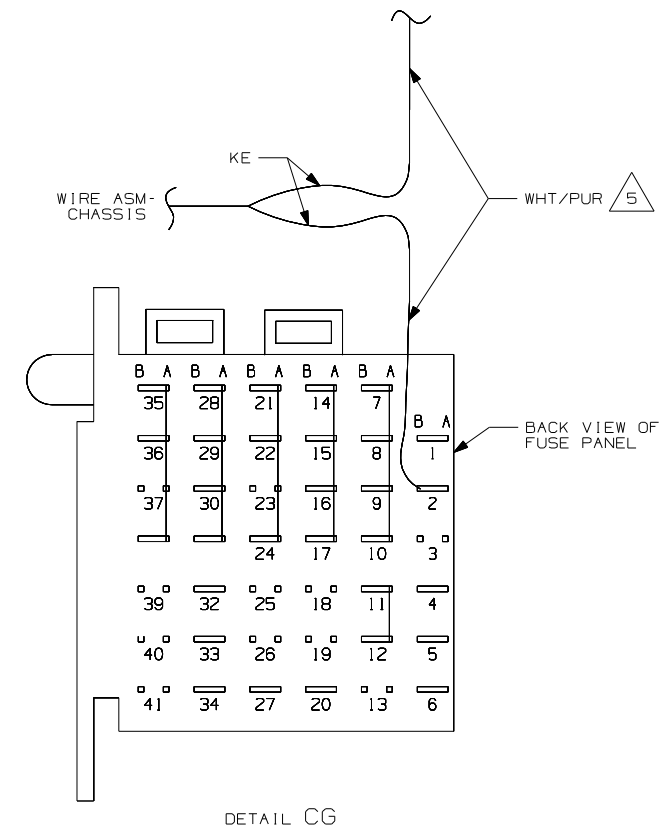
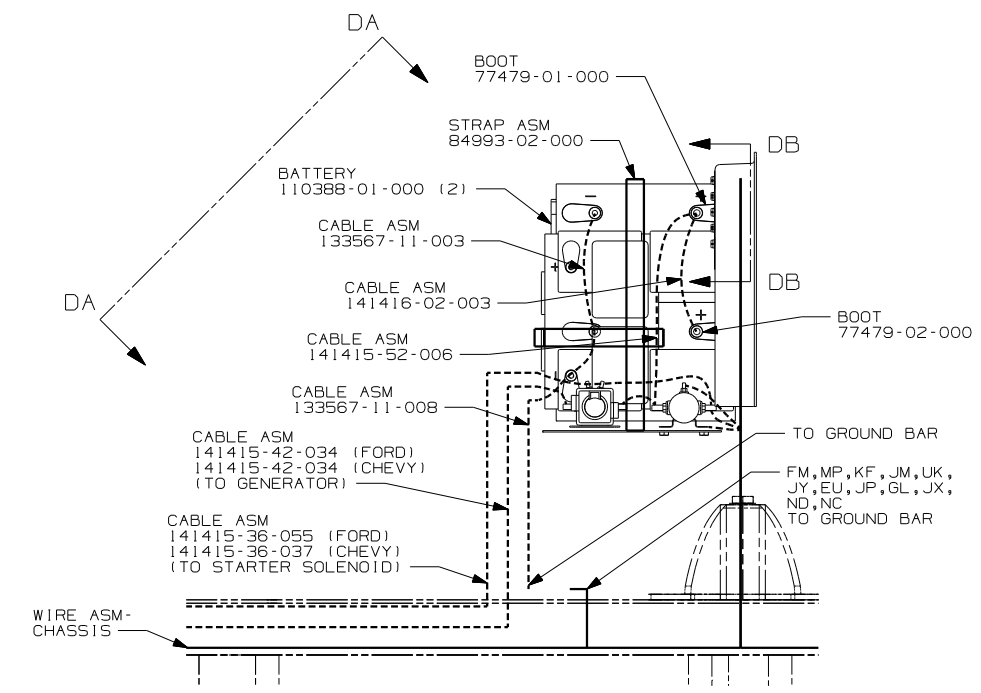
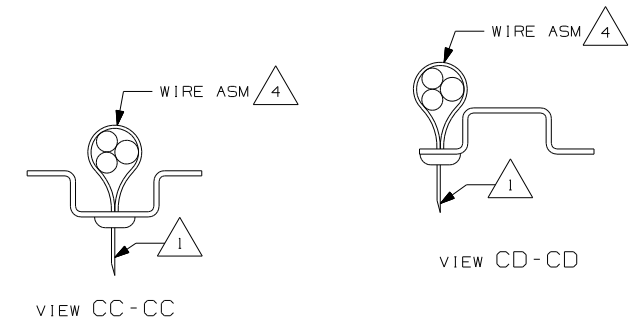
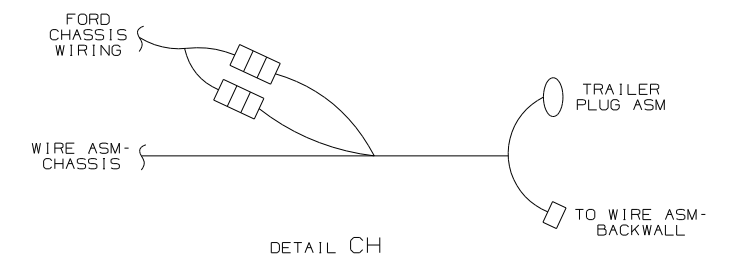
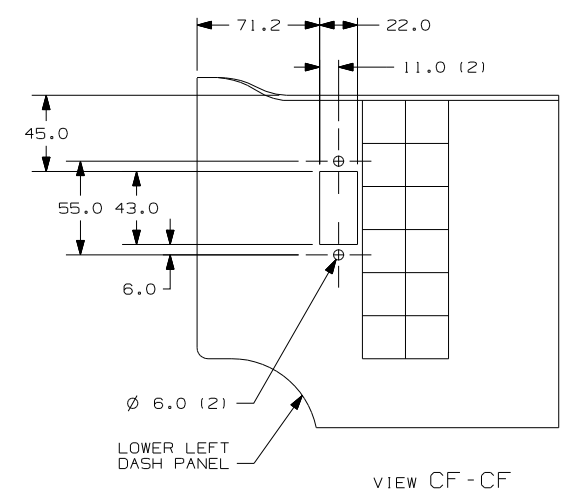
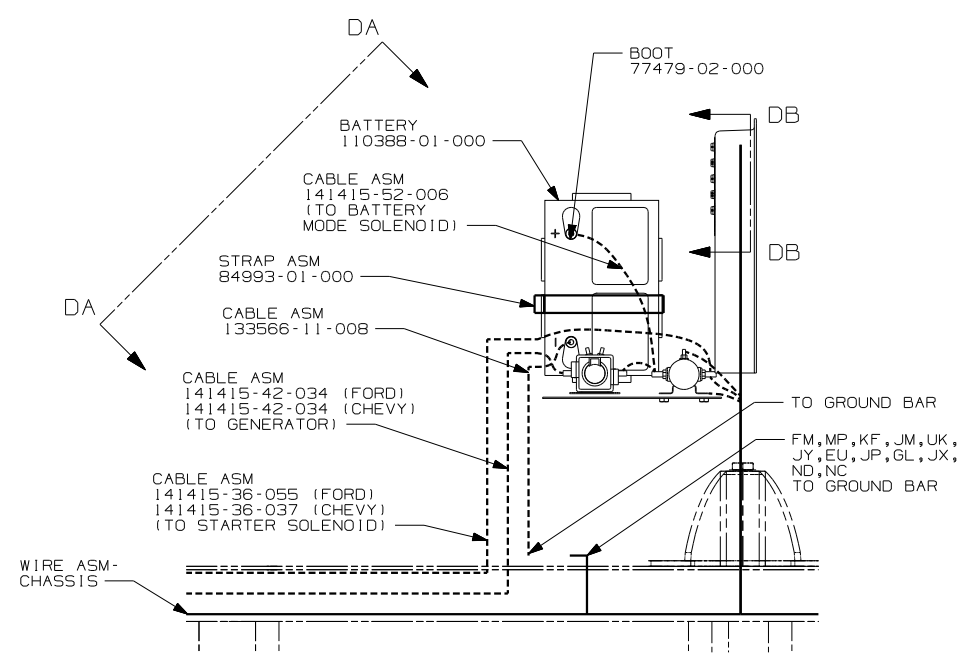
1. LEGEND: — WINNEBAGO: - - - - - CABLE: - - - - - CHASSIS SUPPLIED WIRING.

FOR ELECTRICAL TORQUE SPECIFICATIONS SEE DWG NO. 128783-01-000

FOR ELECTRICAL CALLOUTS SEE DWG NO. 121339-01-000

519 CAL EMISSION CHEVY  
 1CW CHEVY CHASSIS - 12,300# GVWR  
 1CW 519

|                      |                      |
|----------------------|----------------------|
| FIRST USED           | 04 322R              |
| TITLE                | DO NOT SCALE DRAWING |
| WIRING INSTL-CHASSIS |                      |
| SHEET 2              | PART NO 146694       |



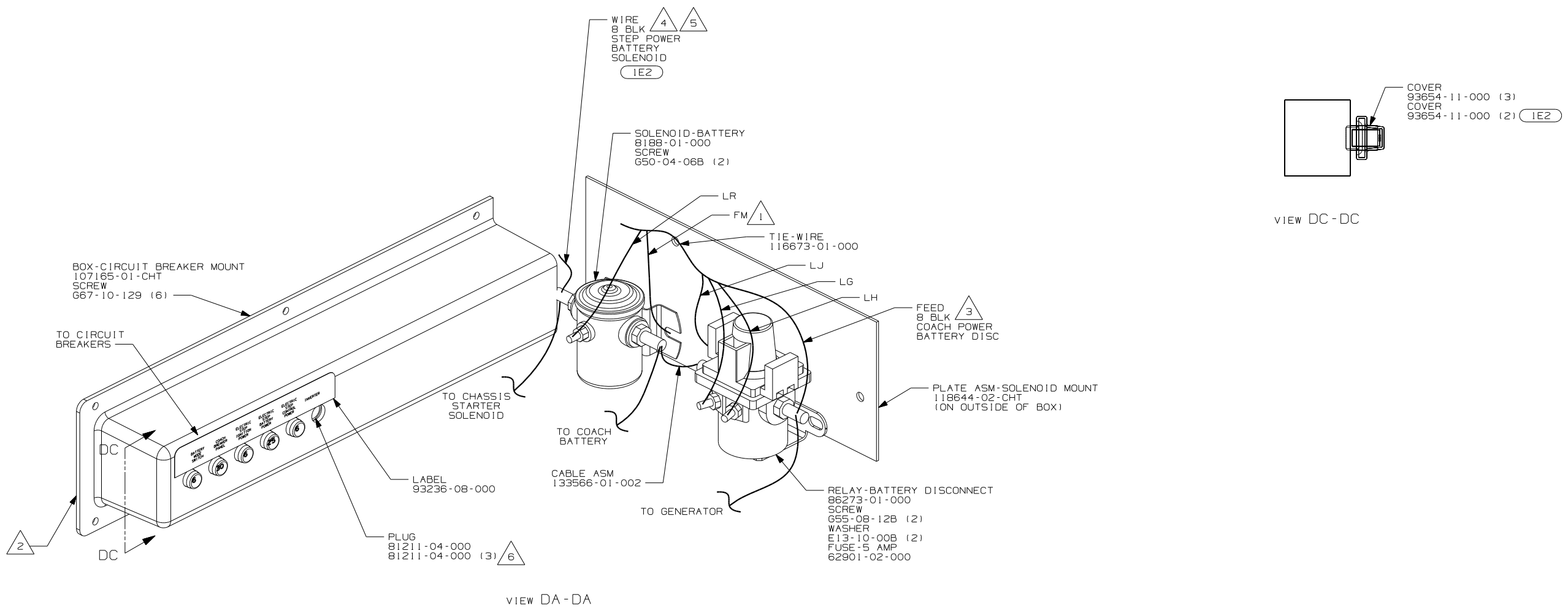
- NOTES:
- 5 CUT WIRE AND RECONNECT AS SHOWN.
  - 4 WIRES TO BE TIED TO CROSSMEMBER USING EXISTING HOLES.
  - 3 WIRES TO BE TIED ON TOP OF RAIL USING EXISTING HOLES.
  - 2 WIRES TO BE TIED INSIDE OF RAIL USING EXISTING HOLES.
  - 1 CUT OFF EXCESS END OF WIRE TIE.

FOR ELECTRICAL TORQUE SPECIFICATIONS SEE DWG NO. 128783-01-000

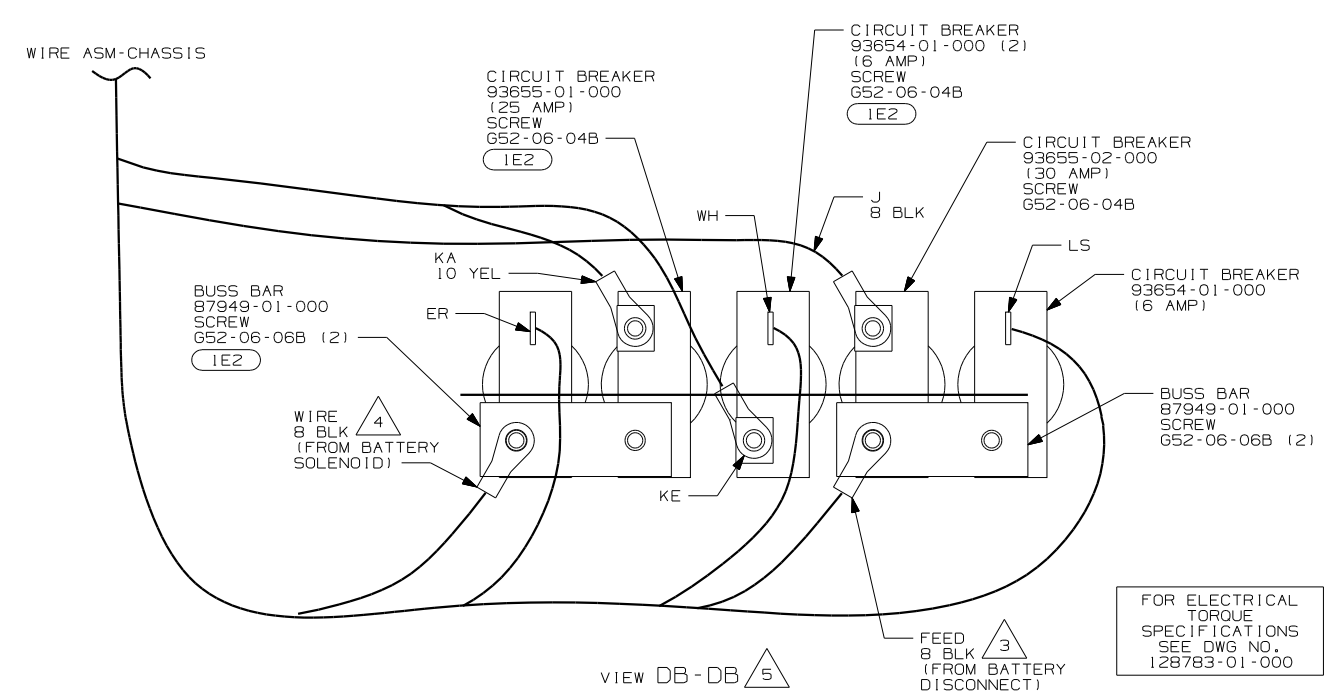
FOR ELECTRICAL CALLOUTS SEE DWG NO. 121339-01-000

12X BATTERY-ONE  
22W BATTERY-SECOND

|            |                      |
|------------|----------------------|
| FIRST USED | 04 322R              |
| TITLE      | DO NOT SCALE DRAWING |
|            | WIRING INSTL-CHASSIS |
| SHEET 3    | PART NO 146694       |



VIEW DA-DA



VIEW DB-DB 5

- NOTES:
- 6 WITHOUT (IE2)
  - 5 WITHOUT (IE2) TIE BACK ALL UNUSED WIRES AND COVER WITH TAPE 8363-01-000.
  - 4 LEAD MARKED WITH YELLOW TAPE.
  - 3 LEAD MARKED WITH RED TAPE.
  - 2 LOCATE BOX HORIZONTALLY BY CENTERING ON HOLE IN REAR OF COMPARTMENT.
  - 1 SECURE WITH SOLENOID MOUNTING BOLT.

(IE2) ENTRANCE STEP-ELEC.

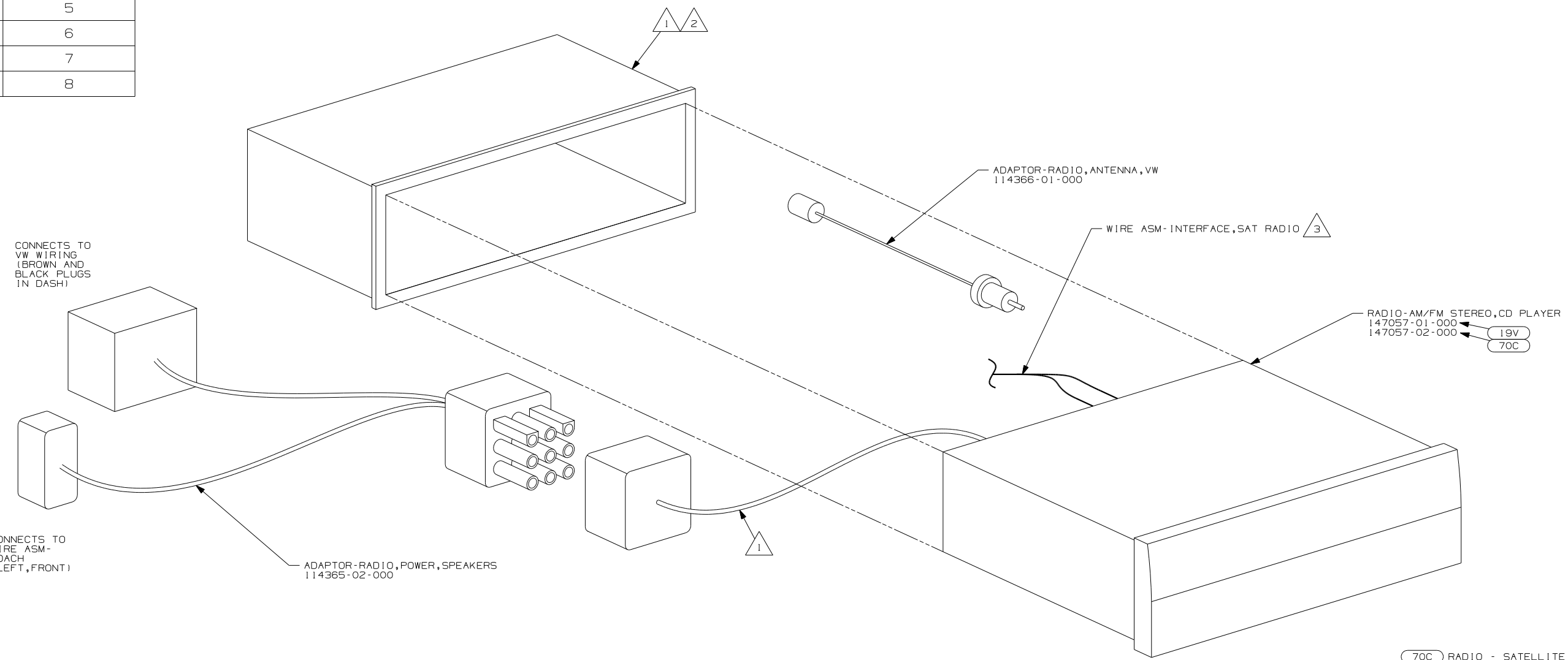
FOR ELECTRICAL TORQUE SPECIFICATIONS SEE DWG NO. 128783-01-000

FOR ELECTRICAL CALLOUTS SEE DWG NO. 121339-01-000

|                      |                      |
|----------------------|----------------------|
| FIRST USED           | 04 322R              |
| DO NOT SCALE DRAWING |                      |
| TITLE:               | WIRING INSTL-CHASSIS |
| SHEET 4              | PART NO 146694       |

| DWG NO    | SHEET |
|-----------|-------|
| 145057-01 | 1     |
| 145057-02 | 2     |
| 145057-03 | 3     |
| 145057-04 | 4     |
| 145057-05 | 5     |
| 145057-06 | 6     |
| 145057-07 | 7     |
| 145057-08 | 8     |

|          |                 |        |           |
|----------|-----------------|--------|-----------|
| RELEASE  | REV DATE        | DWG NO | 145057    |
| REV ZONE | REVISION RECORD | DATE   | DFTR-ORIG |

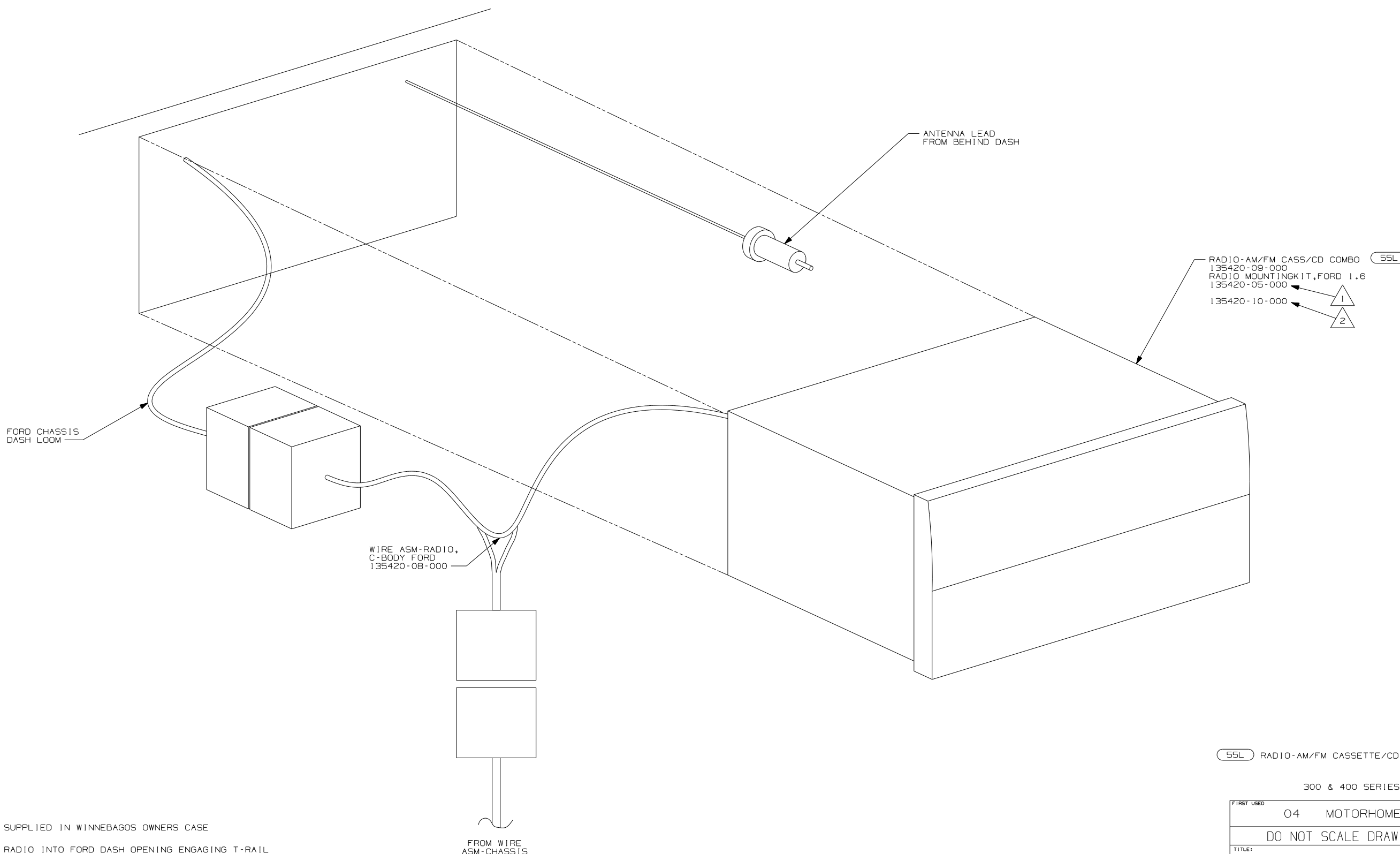


- 70C RADIO - SATELLITE
- 19V RADIO-AM/FM STEREO CD PLAYER

H-BODY, B-VAN, 200 SERIES

|                           |            |   |   |
|---------------------------|------------|---|---|
| <b>WINNEBAGO</b>          |            | COPYRIGHT 2004<br>WINNEBAGO<br>INDUSTRIES, INC. |   |
| DFTR                      | ORIG. DATE | ALL DIMENSIONS ARE<br>IN MILLIMETERS            |   |
| CHKR                      |            | FIRST USED                                      |   |
| P.E.                      |            | 04 MOTORHOMES                                   |   |
| M.E.                      |            | UNSPECIFIED TOLERANCES ARE:                     |   |
| DSNR                      |            | MATERIAL:                                       |   |
|                           |            | WHOLE DIM (X)                                   | : |
|                           |            | ONE-PLACE (X.X)                                 | : |
|                           |            | TWO-PLACE (X.XX)                                | : |
|                           |            | ANGLE   | : |
| THIRD ANGLE<br>PROJECTION |            |   |   |
| DO NOT SCALE DRAWING      |            |   |   |
| TITLE: RADIO INSTL        |            |   |   |
| SHEET 1 OF 8              |            | PART NO 145057                                  |   |

- NOTES:
- 3 TO SATELLITE RECEIVER. SEE WIRING INSTL-FRONT END FOR ADDITIONAL INFORMATION.
  - 2 BEND TABS ON ALL 4 SIDES TO SECURE MOUNTING BRACKET TO DASH OPENING.
  - 1 SUPPLIED WITH RADIO



FORD CHASSIS DASH LOOM

ANTENNA LEAD FROM BEHIND DASH

RADIO-AM/FM CASS/CD COMBO 55L  
 135420-09-000  
 RADIO MOUNTING KIT, FORD 1.6  
 135420-05-000  
 135420-10-000

WIRE ASM-RADIO, C-BODY FORD 135420-08-000

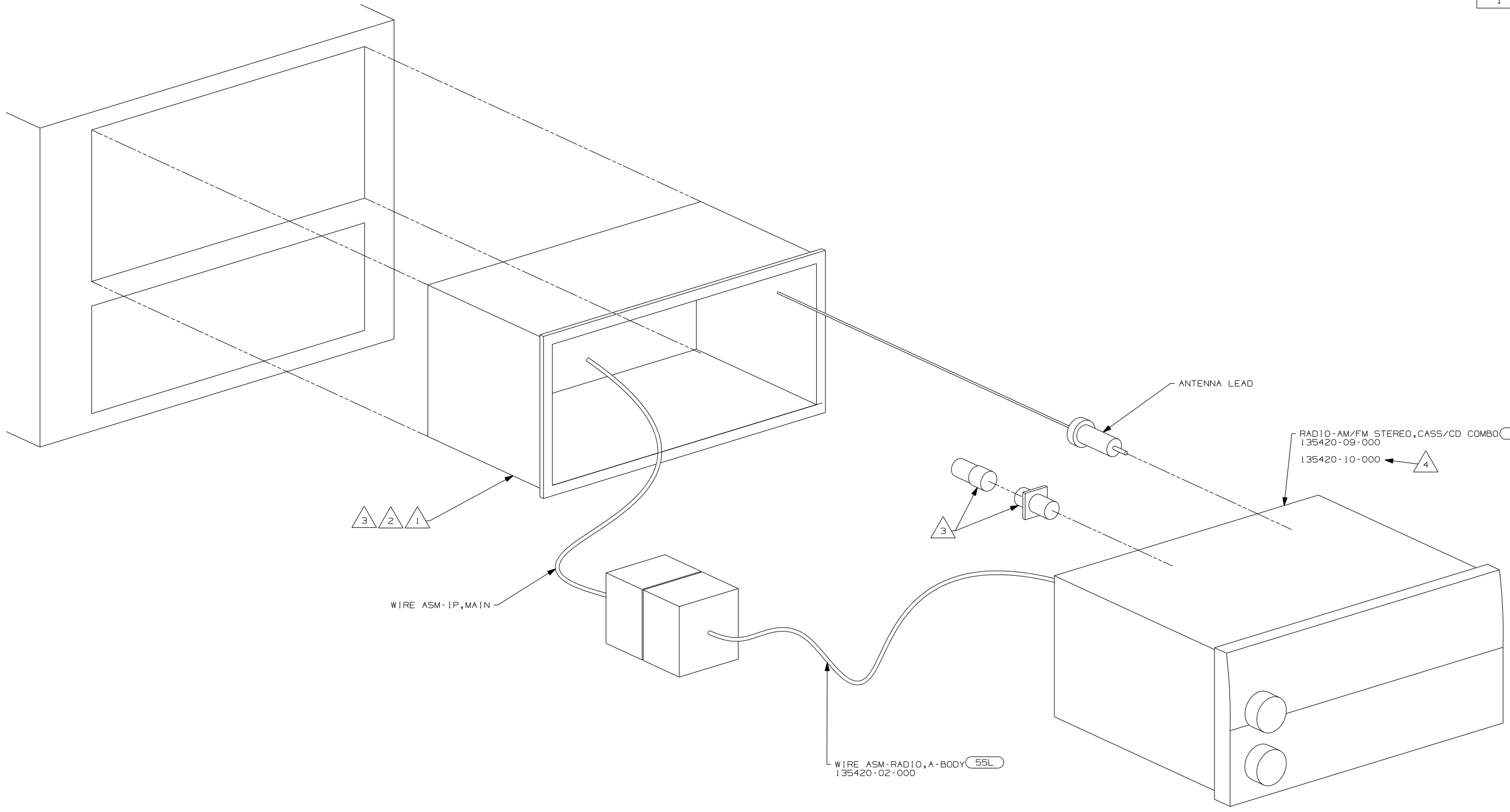
FROM WIRE ASM-CHASSIS

NOTES:  
 TO BE SUPPLIED IN WINNEBAGOS OWNERS CASE  
 SLIDE RADIO INTO FORD DASH OPENING ENGAGING T-RAIL ON BOTTOM OF RADIO UNTIL LOCKED IN PLACE.

55L RADIO-AM/FM CASSETTE/CD

300 & 400 SERIES

|                      |                |
|----------------------|----------------|
| FIRST USED           | 04 MOTORHOMES  |
| DO NOT SCALE DRAWING |                |
| TITLE:               | RADIO INSTL    |
| SHEET 2              | PART NO 145057 |



3 2 1

WIRE ASM-IP,MAIN

WIRE ASM-RADIO,A-BODY (55L)  
135420-02-000

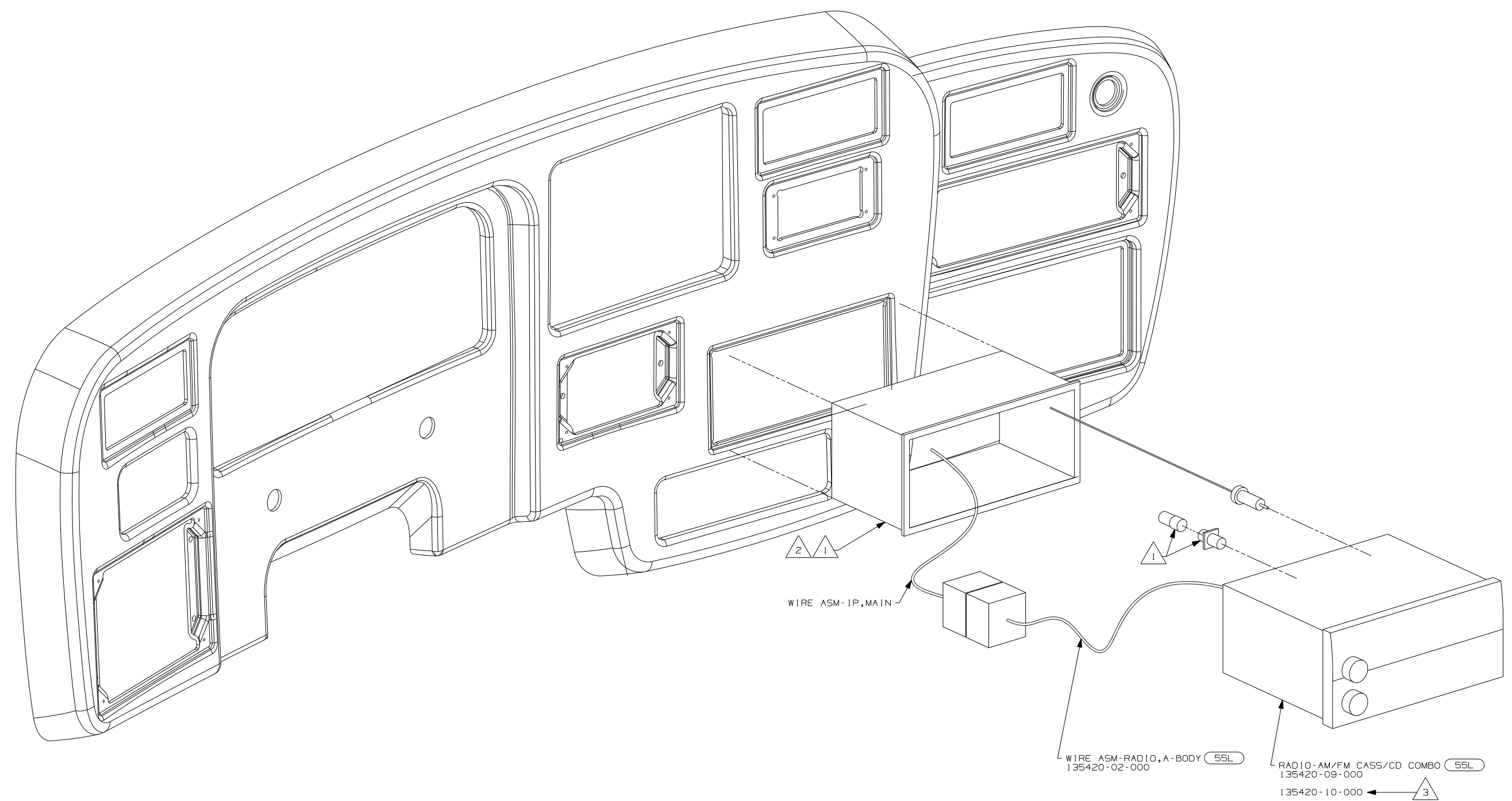
ANTENNA LEAD

RADIO-AM/FM STEREO,CASS/CD COMBO (55L)  
135420-09-000  
135420-10-000

- NOTES:
- 4 TO BE SUPPLIED IN WINNEBAGOS OWNERS CASE
  - 3 SUPPLIED WITH MOUNTING KIT 135420-07-000 (55L) ONLY.
  - 2 BEND TABS ON ALL 4 SIDES TO SECURE MOUNTING BRACKET TO DASH OPENING.
  - 1 SUPPLIED WITH RADIO (24N) ONLY.

(55L) RADIO-AM/FM CASSETTE/CD  
D SERIES

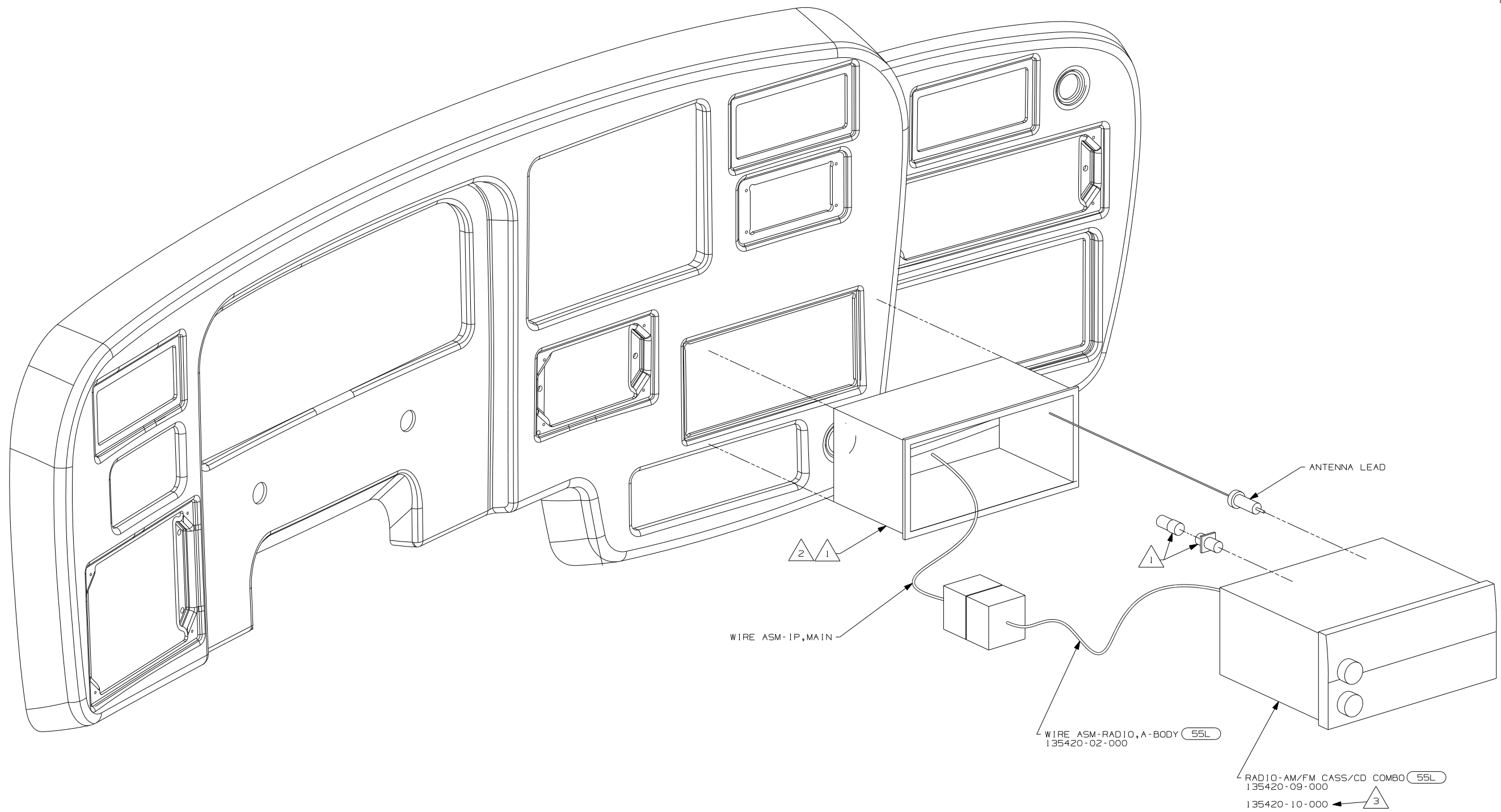
|                      |                |
|----------------------|----------------|
| FIRST USED           | 04 MOTORHOMES  |
| DO NOT SCALE DRAWING |                |
| TITLE                | RADIO INSTL    |
| SHEET 3              | PART NO 145057 |



- NOTES:
- 3 TO BE SUPPLIED IN WINNEBAGOS OWNERS CASE
  - 2 BEND TABS ON ALL 4 SIDES TO SECURE MOUNTING BRACKET TO DASH OPENING.
  - 1 SUPPLIED WITH MOUNTING KIT 135420-07-000.

- 52T CD CHANGER-10 DISC
  - 55L RADIO-AM/FM CASSETTE/CD
- F & G SERIES

|                       |                   |
|-----------------------|-------------------|
| FIRST USED            |                   |
| 04 MOTORHOMES         |                   |
| DO NOT SCALE DRAWING  |                   |
| TITLE:<br>RADIO INSTL |                   |
| SHEET 4               | PART NO<br>145057 |



WIRE ASM-IP,MAIN

WIRE ASM-RADIO,A-BODY 55L  
135420-02-000

RADIO-AM/FM CASS/CD COMBO 55L  
135420-09-000  
135420-10-000

ANTENNA LEAD

52T CD CHANGER-10 DISC  
55L RADIO-AM/FM CASSETTE/CD

L SERIES

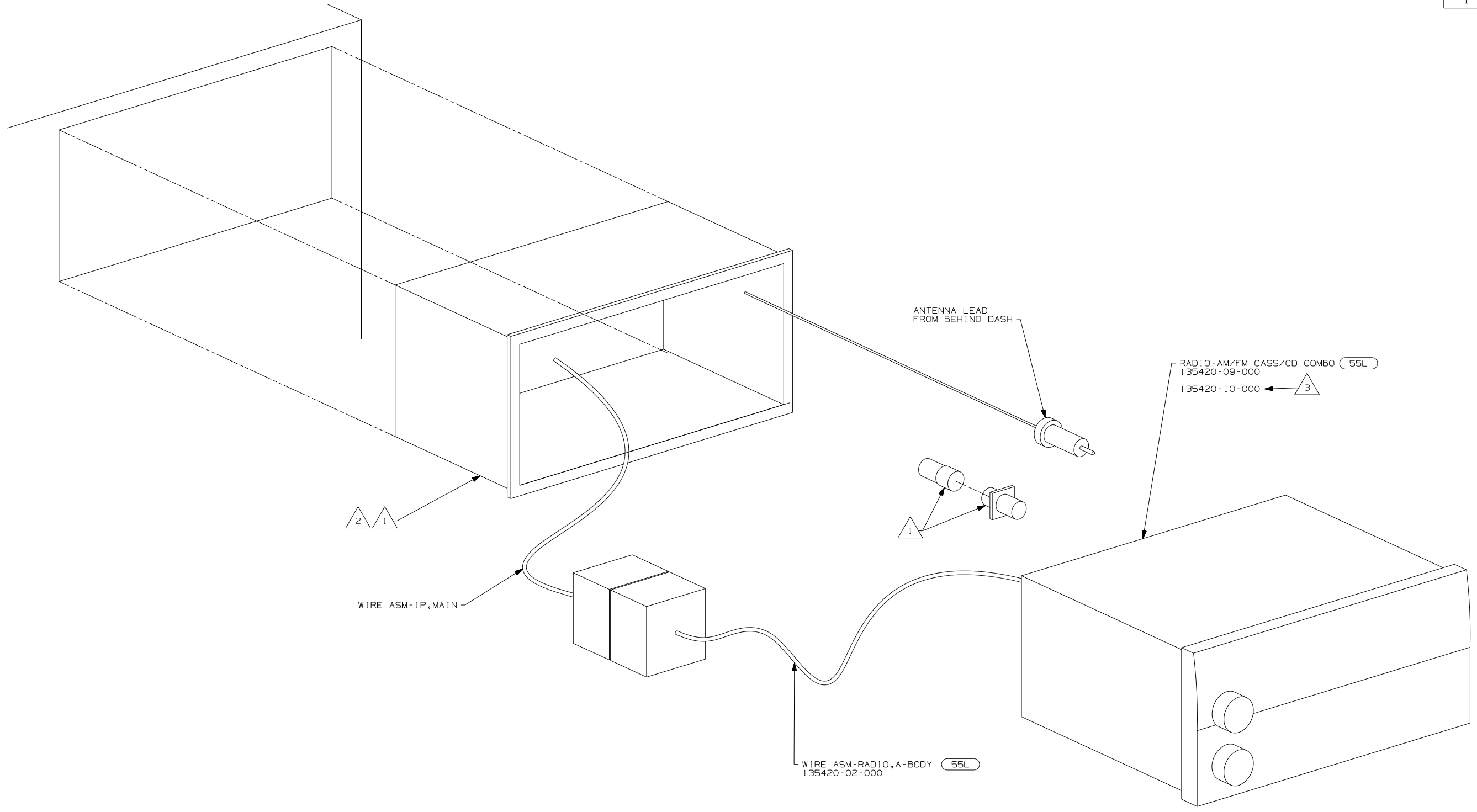
FIRST USED 04 MOTORHOMES

DO NOT SCALE DRAWING

TITLE: RADIO INSTL

SHEET 5 PART NO 145057

- NOTES:
- 3 TO BE SUPPLIED IN WINNEBAGOS OWNERS CASE
  - 2 BEND TABS ON ALL 4 SIDES TO SECURE MOUNTING BRACKET TO DASH OPENING.
  - 1 SUPPLIED WITH MOUNTING KIT 135420-07-000.



RADIO-AM/FM CASS/CD COMBO (55L)  
 135420-09-000  
 135420-10-000 ← 3

WIRE ASM-RADIO,A-BODY (55L)  
 135420-02-000

WIRE ASM-IP,MAIN

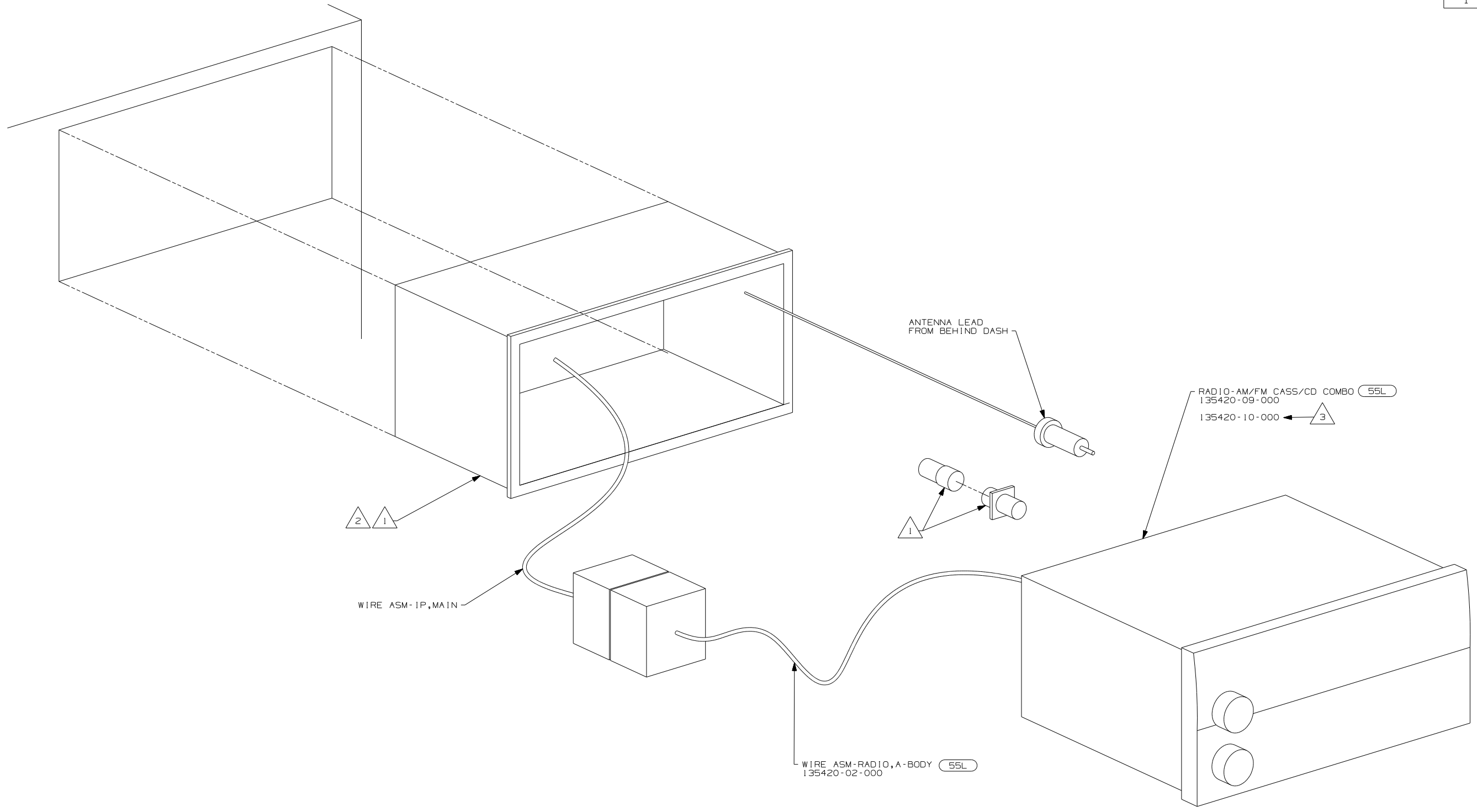
ANTENNA LEAD FROM BEHIND DASH

(52T) CD CHANGER-10 DISC  
 (55L) RADIO-AM/FM CASSETTE/CD

P SERIES

- NOTES:
- 3 TO BE SUPPLIED IN WINNEBAGOS OWNERS CASE
  - 2 BEND TABS ON ALL 4 SIDES TO SECURE MOUNTING BRACKET TO DASH OPENING.
  - 1 SUPPLIED WITH MOUNTING KIT 135420-07-000.

|            |                |
|------------|----------------|
| FIRST USED | 04 MOTORHOMES  |
| TITLE      | RADIO INSTL    |
| SHEET 6    | PART NO 145057 |



RADIO-AM/FM CASS/CD COMBO (55L)  
 135420-09-000  
 135420-10-000 ← 3

WIRE ASM-RADIO,A-BODY (55L)  
 135420-02-000

WIRE ASM-IP,MAIN

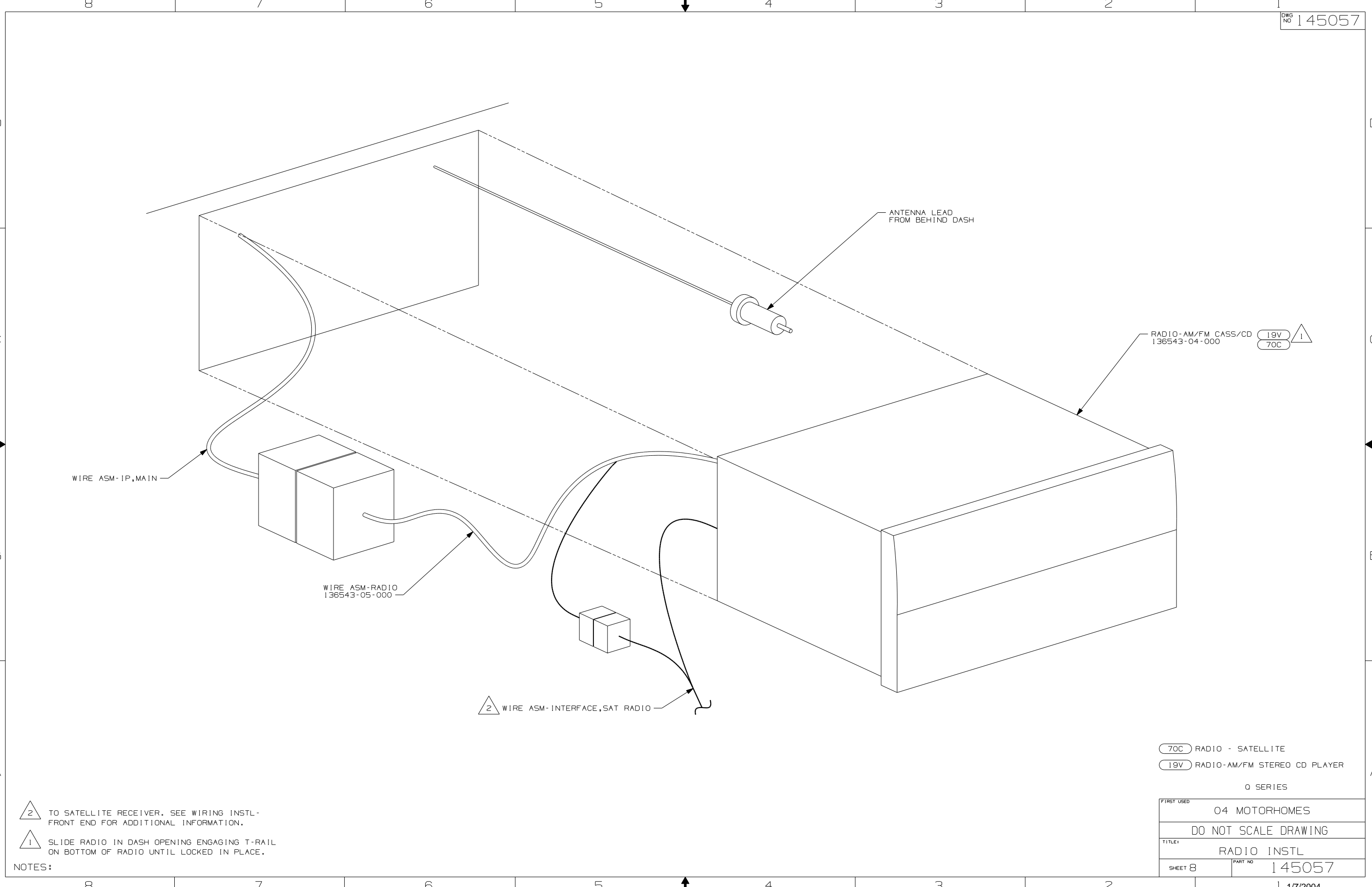
ANTENNA LEAD FROM BEHIND DASH

- (52T) CD CHANGER-10 DISC
- (55L) RADIO-AM/FM CASSETTE/CD

S SERIES

- NOTES:
- 3 TO BE SUPPLIED IN WINNEBAGOS OWNERS CASE
  - 2 BEND TABS ON ALL 4 SIDES TO SECURE MOUNTING BRACKET TO DASH OPENING.
  - 1 SUPPLIED WITH MOUNTING KIT 135420-07-000.

|                      |                |
|----------------------|----------------|
| FIRST USED           |                |
| 04 MOTORHOMES        |                |
| DO NOT SCALE DRAWING |                |
| TITLE                |                |
| RADIO INSTL          |                |
| SHEET 7              | PART NO 145057 |



WIRE ASM-IP,MAIN

WIRE ASM-RADIO  
136543-05-000

2 WIRE ASM-INTERFACE,SAT RADIO

ANTENNA LEAD  
FROM BEHIND DASH

RADIO-AM/FM CASS/CD  
136543-04-000

19V  
70C

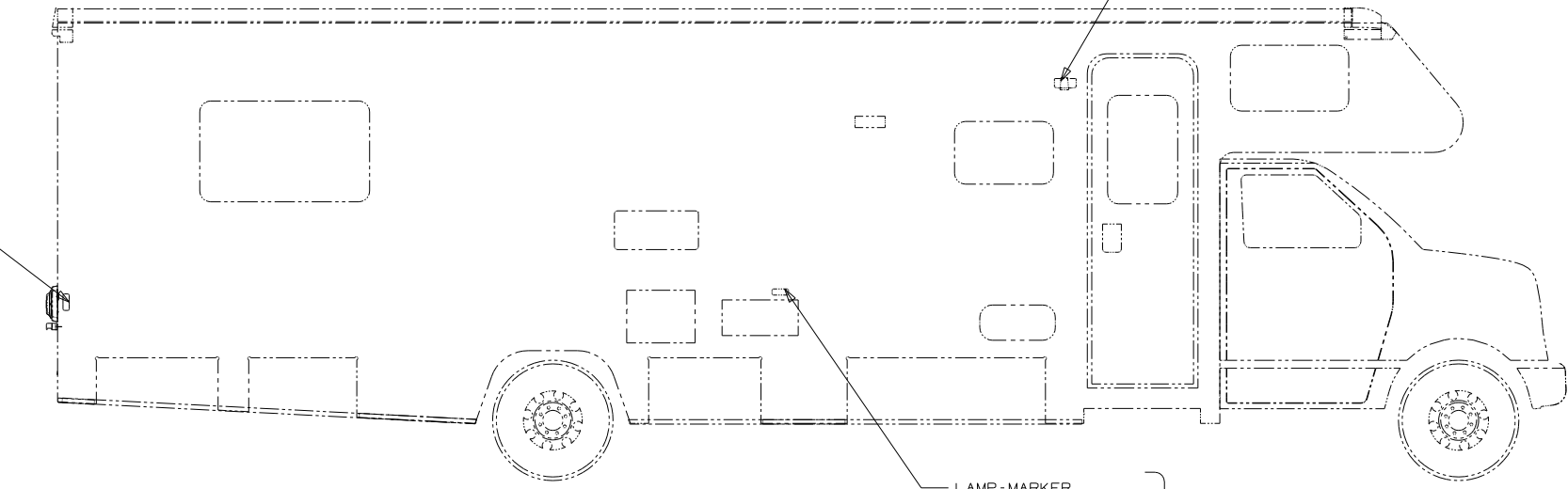
70C RADIO - SATELLITE  
19V RADIO-AM/FM STEREO CD PLAYER

0 SERIES

|            |                      |
|------------|----------------------|
| FIRST USED | 04 MOTORHOMES        |
| TITLE      | DO NOT SCALE DRAWING |
| SHEET 8    | PART NO 145057       |

- NOTES:
- 2 TO SATELLITE RECEIVER. SEE WIRING INSTL-FRONT END FOR ADDITIONAL INFORMATION.
  - 1 SLIDE RADIO IN DASH OPENING ENGAGING T-RAIL ON BOTTOM OF RADIO UNTIL LOCKED IN PLACE.

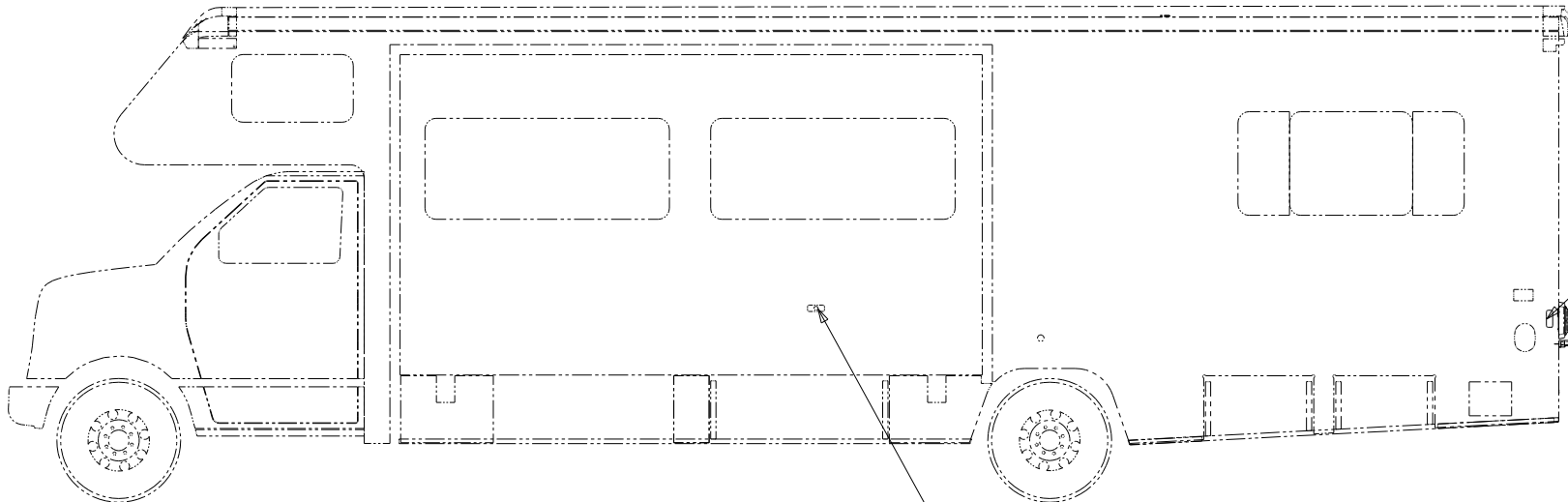
LAMP-MARKER  
 BASE, SIDEWALL  
 111102-01-000  
 LENS-MARKER, RED  
 111102-03-000  
 SCREW  
 G11-08-12T (EXT) (2)  
 CONNECTOR  
 58028-01-000 (2)



LEXT-1 181

LAMP-MARKER  
 BASE, SIDEWALL  
 111102-01-000  
 LENS-MARKER, AMBER  
 111102-02-000  
 SCREW  
 G11-08-12T (EXT) (2)  
 CONNECTOR  
 58028-01-000 (2)

2



LAMP-MARKER  
 BASE, SIDEWALL  
 111102-01-000  
 LENS-MARKER, RED  
 111103-03-000  
 SCREW  
 G11-08-12T (EXT) (2)  
 CONNECTOR  
 58028-01-000 (2)

1

LAMP-MARKER  
 BASE, SIDEWALL  
 111102-01-000  
 LENS-MARKER, AMBER  
 111102-02-000  
 SCREW  
 G11-08-12T (EXT) (2)  
 CONNECTOR  
 58028-01-000 (2)

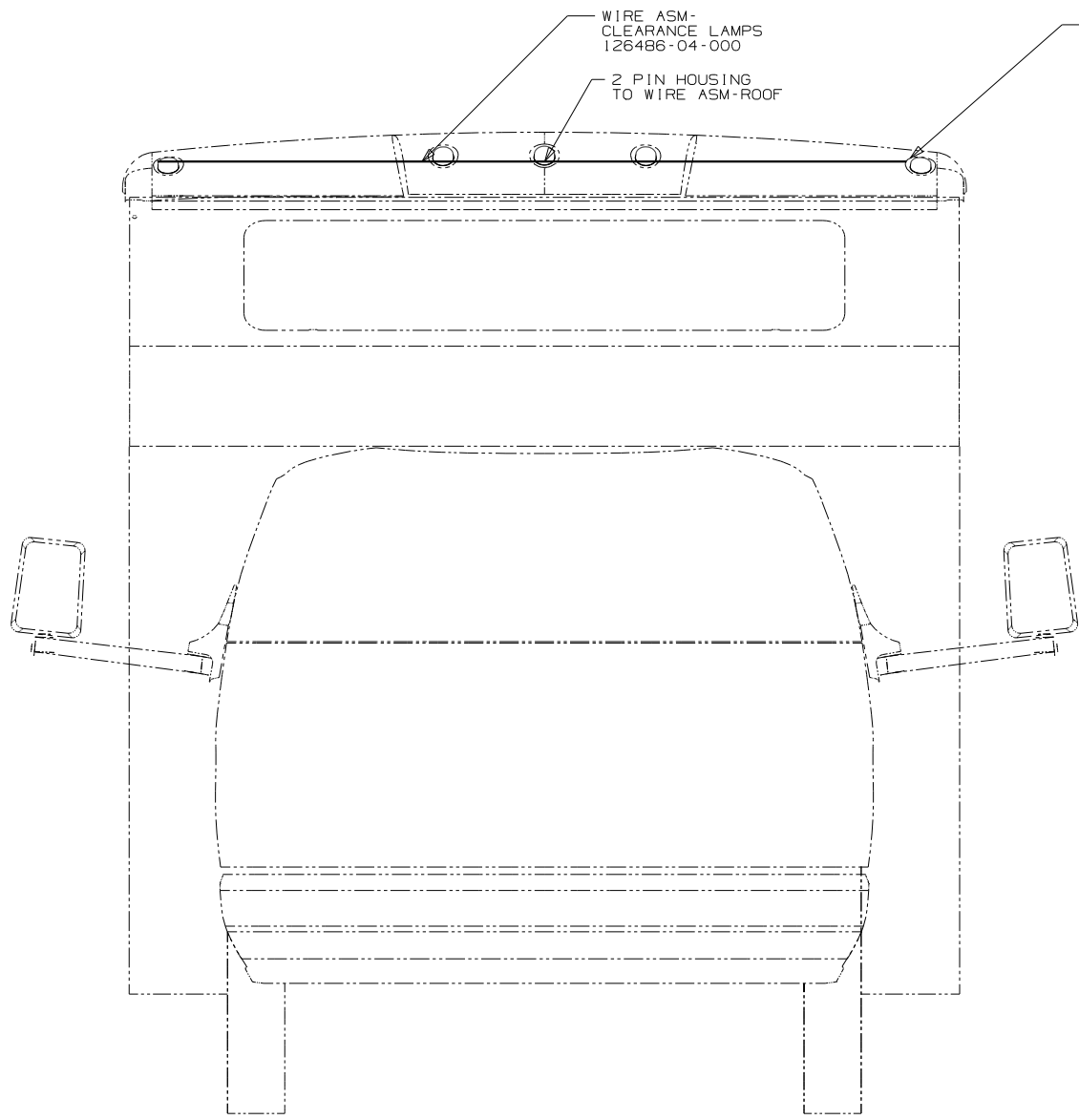
2

2 USED ONLY WITH 331C, 331T & 332G.  
 1 ON 329B, COVER WIRES WITH TAPE 8363-01-000 AFTER CONNECTIONS ARE MADE.

FOR ELECTRICAL  
 TORQUE  
 SPECIFICATIONS  
 SEE DWG NO.  
 128783-01-000

(X-X)  
 FOR  
 ELECTRICAL  
 CALLOUTS  
 SEE DWG NO.  
 121339-01-000

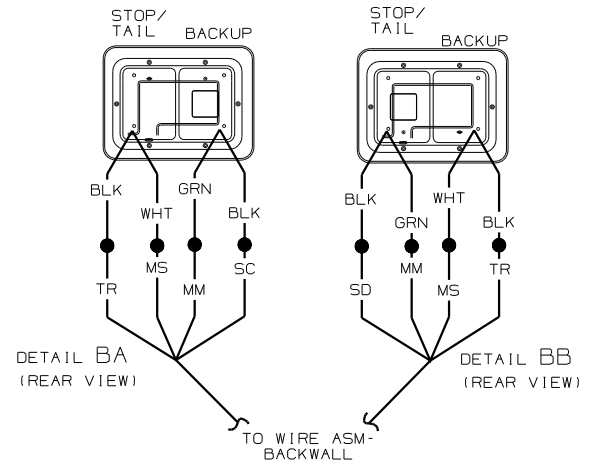
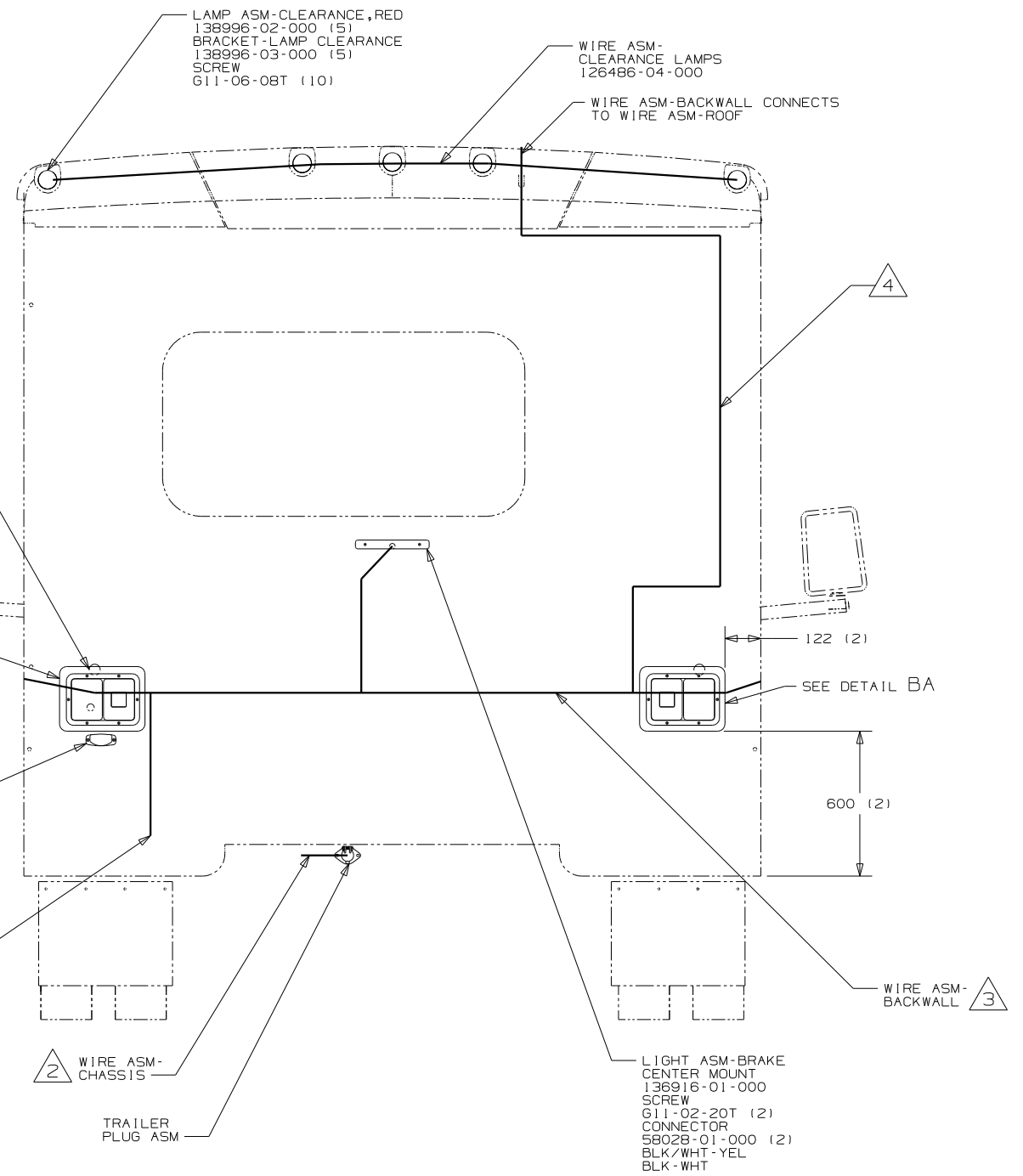
|                                  |                                      |   |  |
|----------------------------------|--------------------------------------|---|--|
| <b>WINNEBAGO</b>                 |                                      | COPYRIGHT 2003<br>WINNEBAGO<br>INDUSTRIES, INC. |  |
| DFTR                             | ORIG. DATE                           |   |  |
| CHKR                             | ALL DIMENSIONS ARE<br>IN MILLIMETERS |   |  |
| P.E.                             |                                      |   |  |
| M.E.                             | FIRST USED                           |   |  |
| DSNR                             | 04 300 SERIES                        |   |  |
| UNSPECIFIED TOLERANCES ARE:      |                                      | MATERIAL:                                       |  |
| WHOLE DIM (X)                    | : 1                                  | <input checked="" type="checkbox"/>             |  |
| ONE-PLACE (X.X)                  | : 1.5                                | <input checked="" type="checkbox"/>             |  |
| TWO-PLACE (X.XX)                 | : 0.50                               | <input checked="" type="checkbox"/>             |  |
| ANGLE                            | : 1°                                 | <input checked="" type="checkbox"/>             |  |
| THIRD ANGLE<br>PROJECTION        |                                      | <input checked="" type="checkbox"/>             |  |
| DO NOT SCALE DRAWING             |                                      |   |  |
| TITLE:<br>WIRING INSTL-EXT LAMPS |                                      |   |  |
| SHEET 1 OF 2                     | PART NO                              | 145072  |  |
| REF: 141602-B 1 05/23/03         |                                      |   |  |



TAILLAMP ASM-  
81638-01-000 (2)  
SCREW  
G11-08-12T (16)  
POD TAILLAMP  
103355-02-CHT  
SCREW  
G67-10-129 (8)  
CONNECTOR  
58028-01-000  
(8)  
SEALER-TAPE  
6964-21-000 (3,4)

BRACKET-LICENSE  
66432-03-000  
SCREW  
G67-10-129 (2)  
LIGHT-LICENSE  
66432-02-000  
SCREW  
G39-08-12T (EXT) (2)  
CONNECTOR  
58028-01-000 (2)

6 PIN HOUSING TO WIRE ASM-TAILLAMP EXTENSION



- 4 ON 324V WIRE ASSEMBLY RUNS ON LEFT SIDE OF BACKWALL.
  - 3 LOCATED IN BACKWALL ASSEMBLY.
  - 2 SECURE WIRE BELOW COACH WITH CLAMP 10495-01-000 AND SCREW G67-10-12B.
- 1 CONNECTOR-PLUG, TRAILER 113589-01-000 TO BE SUPPLIED LOOSE IN COACH WITH TRAILER TOW PACKAGE.

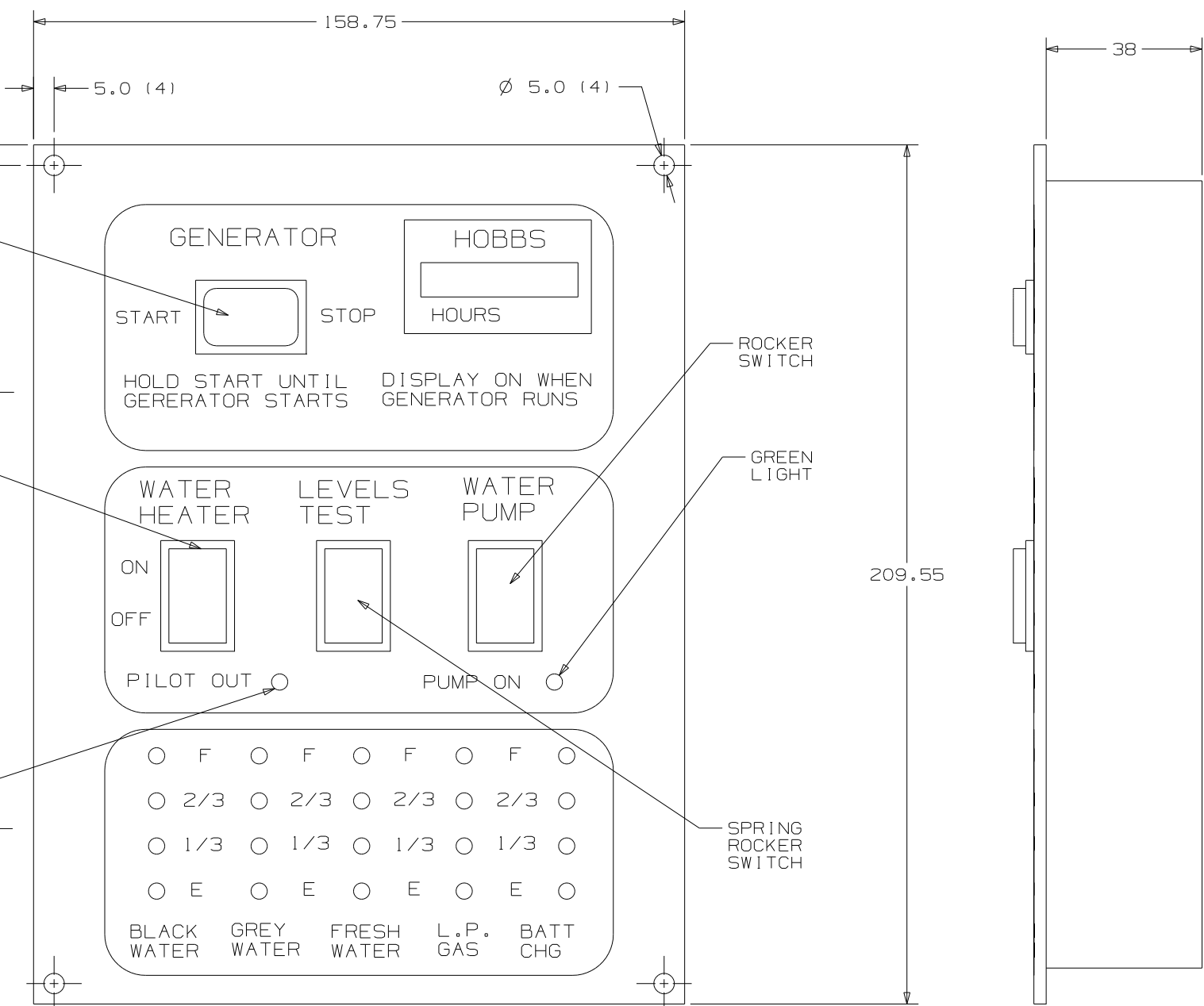
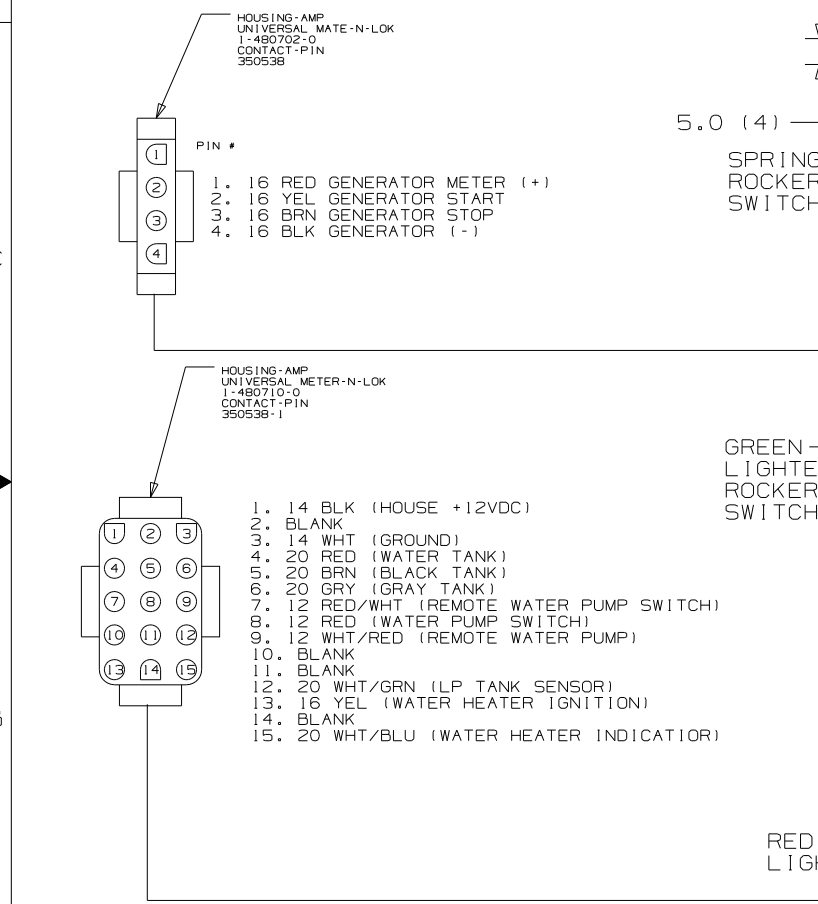
FOR ELECTRICAL TORQUE SPECIFICATIONS SEE DWG NO. 128783-01-000

FOR ELECTRICAL CALLOUTS SEE DWG NO. 121339-01-000

|                               |                |
|-------------------------------|----------------|
| FIRST USED                    |                |
| 04 300 SERIES                 |                |
| DO NOT SCALE DRAWING          |                |
| TITLE: WIRING INSTL-EXT LAMPS |                |
| SHEET 2                       | PART NO 145072 |

| DWG NO    |                        | SHEET | WEIGHT (LBS.) |
|-----------|------------------------|-------|---------------|
| 134940-01 | W/GEN                  | 1     | 8.90          |
| 134940-02 | W/O GEN                | 2     | -             |
| 134940-03 | SWITCH, METER, HARNESS | ---   | -             |
| 134940-04 | W/G SOLAR              | 3     | -             |
| 134940-05 | W/GEN SWIT             | 4     | -             |
| 134940-06 | W/GEN/SEN              | 5,6   | -             |
| 134940-07 | W/O GEN/SE             | 7,8   | -             |
| 134940-08 | W/G SOL/SE             | 9,10  | -             |
| 134940-09 | W/G SW/SEN             | 11,12 | -             |

|          |                 |        |           |
|----------|-----------------|--------|-----------|
| RELEASE  | REV DATE        | DWG NO | 134940    |
| REV ZONE | REVISION RECORD | DATE   | DFTR-ORIG |



- NOTES:
1. SUGGESTED VENDOR: VENTLINE.
  2. BLACK PANEL WITH WHTIE GRAPHICS.
  3. LETTERS ON MAIN HEADING TO BE 5MM HIGH.
  4. CUTOUT 130 X 192.
  5. SWITCH RATING SHALL BE EMBOSSED ON THE SIDE OF THE 12V SWTICHES.

**WINNEBAGO** COPYRIGHT 2004 WINNEBAGO INDUSTRIES, INC.

|      |                                   |
|------|-----------------------------------|
| DFTR | ORIG. DATE                        |
| CHKR | ALL DIMENSIONS ARE IN MILLIMETERS |
| P.E. |                                   |
| M.E. | FIRST USED                        |
| DSNR | 300 & F SER                       |

UNSPECIFIED TOLERANCES ARE:

|                  |        |
|------------------|--------|
| WHOLE DIM (X)    | : 1    |
| ONE-PLACE (X.X)  | : 1.5  |
| TWO-PLACE (X.XX) | : 0.50 |
| ANGLE            | : 1°   |

THIRD ANGLE PROJECTION

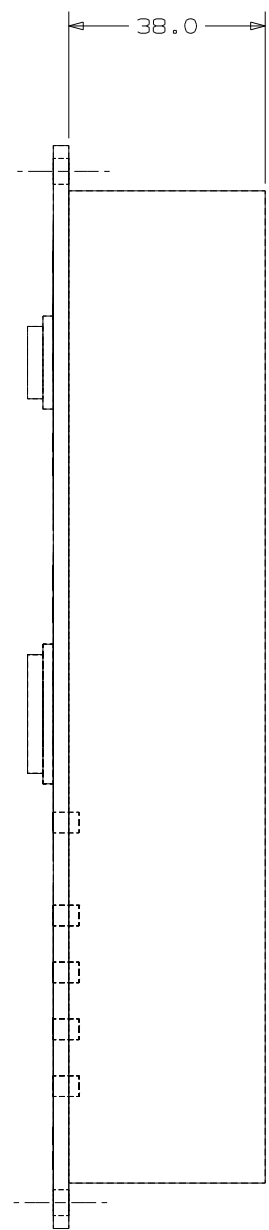
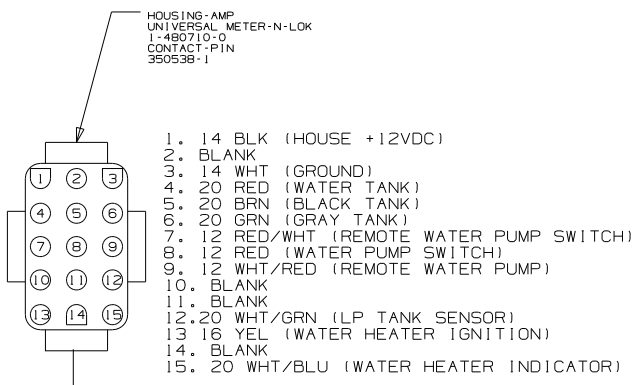
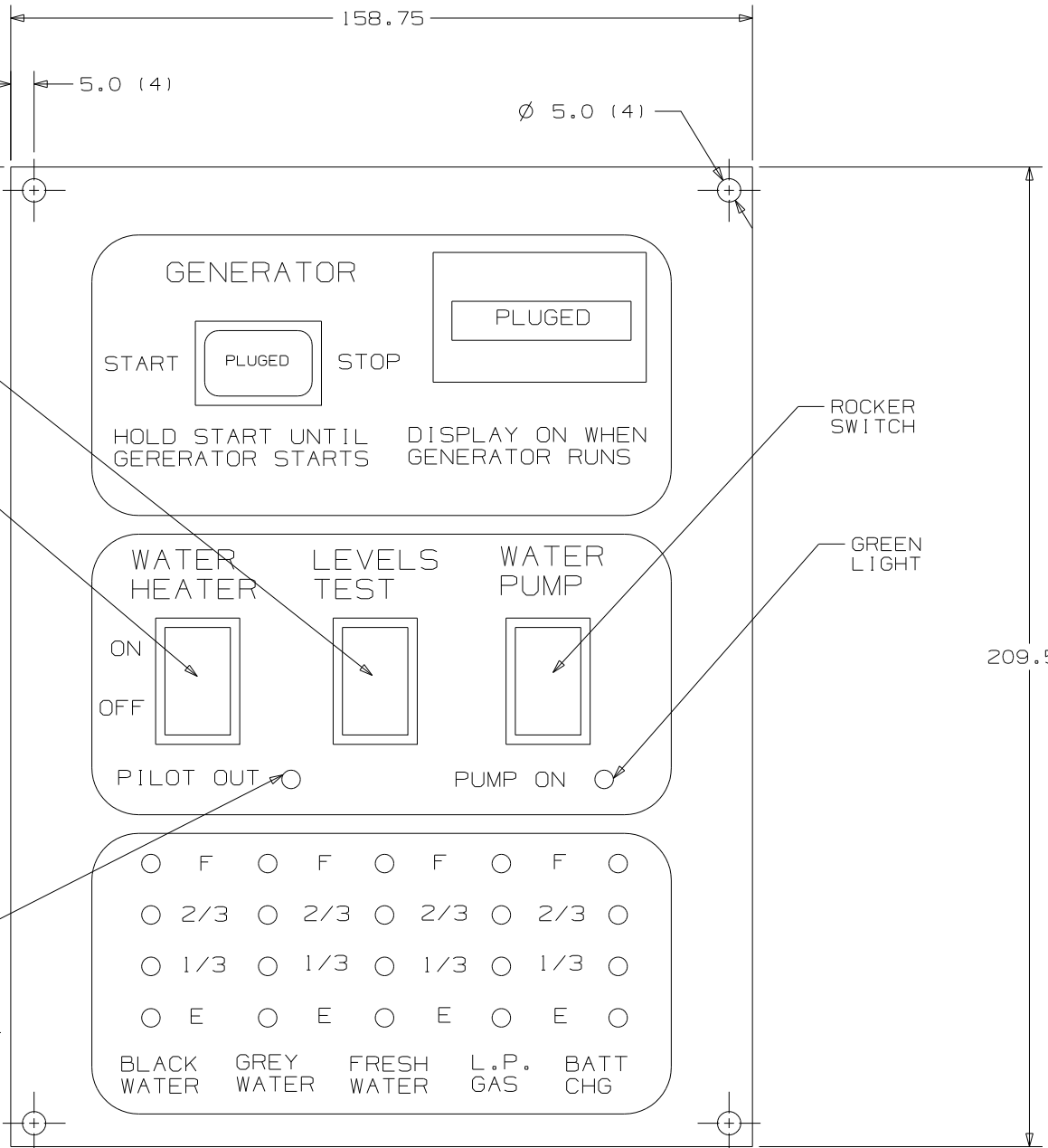
DO NOT SCALE DRAWING

TITLE: PANEL-MONITOR 2-TANK

SHEET 1 OF 12 PART NO 134940

REF: 1 5/24/2004

**SEE CHART**  
FOR COLOR VARIATIONS OF THIS PART



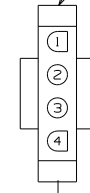
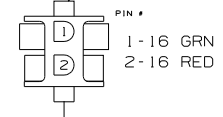
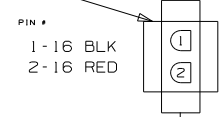
|            |                      |
|------------|----------------------|
| FIRST USED | 300 & F SER          |
| TITLE      | DO NOT SCALE DRAWING |
|            | PANEL-MONITOR 2-TANK |
| SHEET 2    | PART NO 134940       |

HOUSING-AMP  
(UNIVERSAL-MATE-N-LOK)  
1-480698-0  
PIN  
350538-0

HOUSING-AMP  
(UNIVERSAL-MATE-N-LOK)  
1-480699-0  
SOCKET  
350537-1

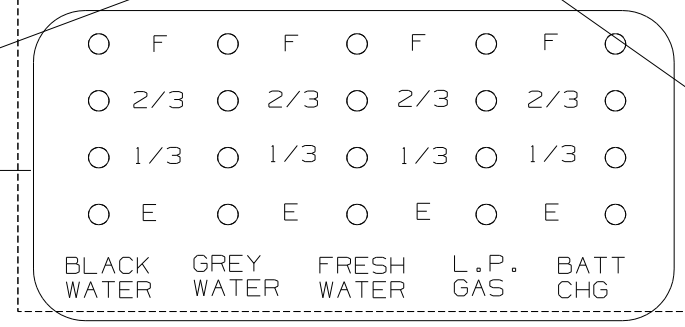
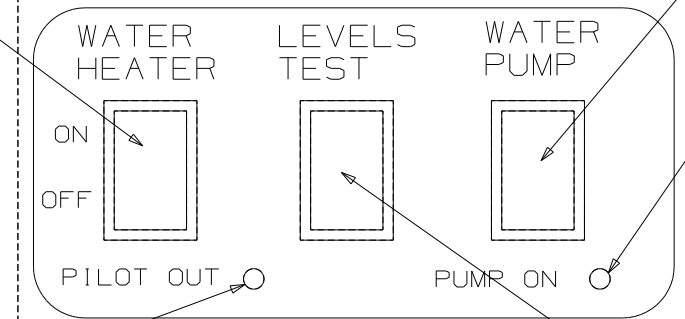
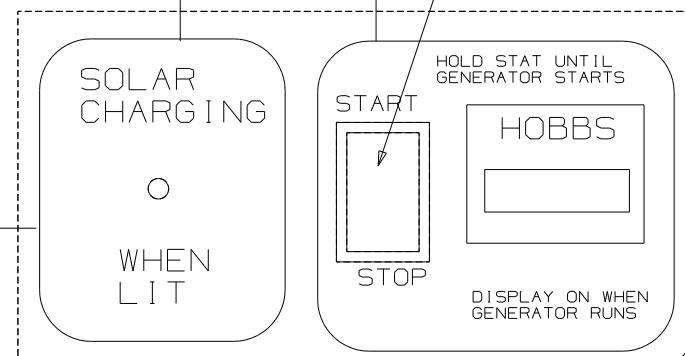
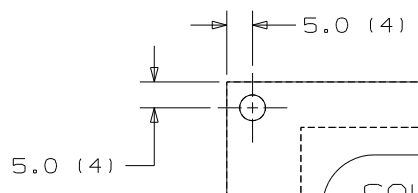
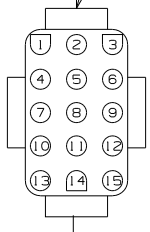
HOUSING-AMP  
(UNIVERSAL-MATE-N-LOK)  
1-480702-0  
CONTACT-PIN  
380538-1

PIN #  
1-16 RED GENERATOR METER (+)  
2-16 YEL GENERATOR START  
3-16 BRN GENERATOR STOP  
4-16 BLK GENERATOR (-)



HOUSING-AMP  
(UNIVERSAL-METER-N-LOK)  
1-480710-0  
CONTACT-PIN  
350538-1

1. 14 BLK (HOUSE +12VDC)  
2. BLANK  
3. 14 WHT (GROUND)  
4. 20 RED (WATER TANK)  
5. 20 BRN (BLACK TANK)  
6. 20 GRN (GRAY TANK)  
7. 12 RED/WHT (REMOTE WATER PUMP SWITCH)  
8. 12 RED (WATER PUMP SWITCH)  
9. 12 WHT/RED (REMOTE WATER PUMP)  
10. BLANK  
11. BLANK  
12. 20 WHT/GRN (LP TANK SENSOR)  
13. 16 YEL (WATER HEATER IGNITION)  
14. BLANK  
15. 20 WHT/BLU (WATER HEATER INDICATOR)



SPRING  
ROCKER  
SWITCH

Ø 5.0 (4)

ROCKER  
SWITCH

GREEN  
LIGHT

GREEN  
LIGHTED  
ROCKER  
SWITCH

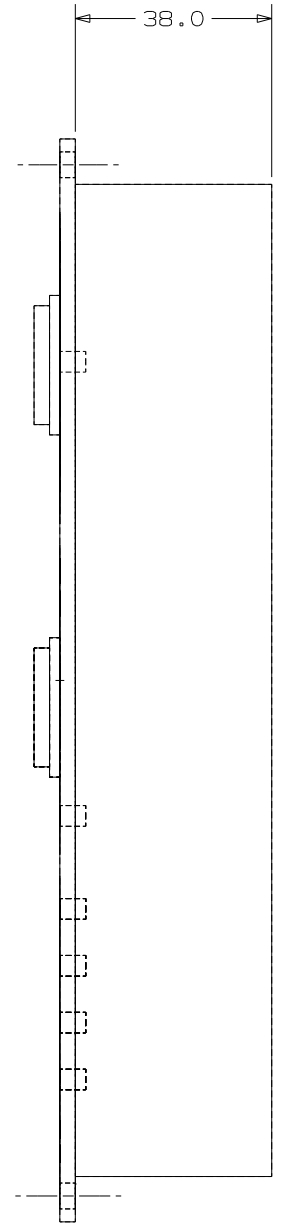
RED  
LIGHT

SPRING  
ROCKER  
SWITCH

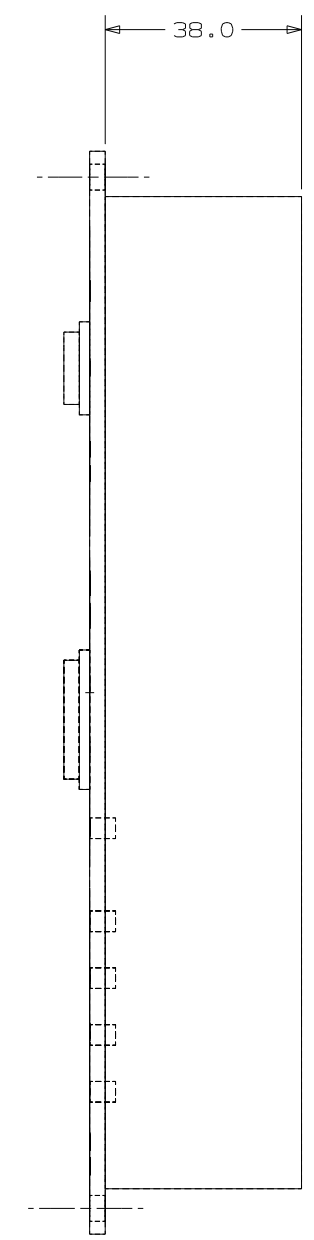
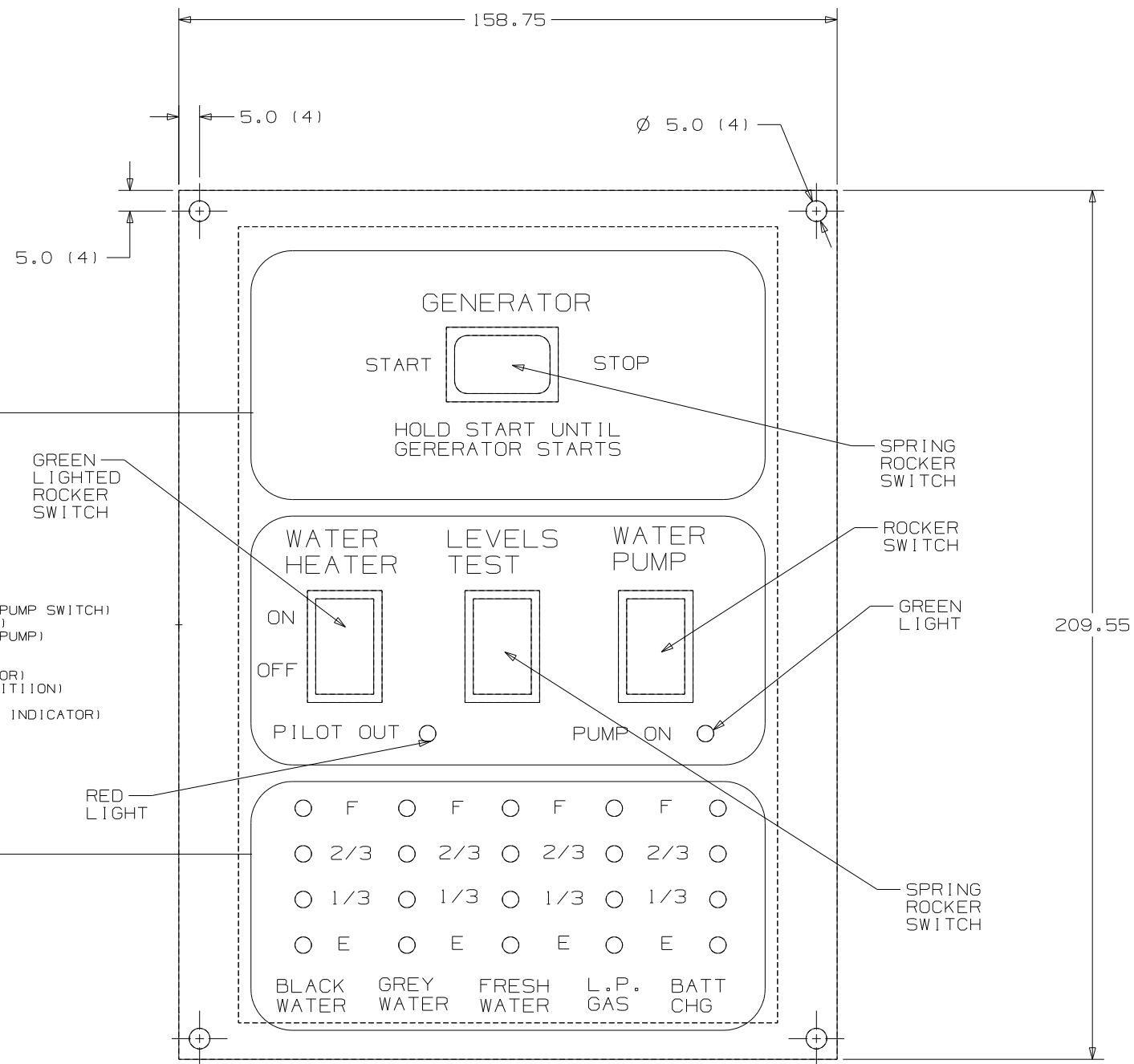
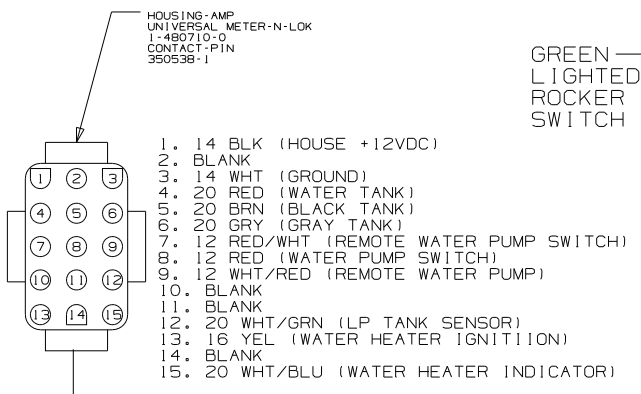
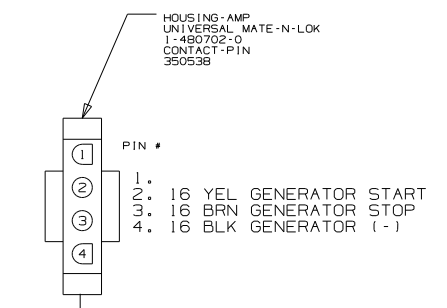
209.55

158.75

38.0



|            |                      |
|------------|----------------------|
| FIRST USED | 300 & F SER          |
| TITLE      | DO NOT SCALE DRAWING |
| TITLE      | PANEL-MONITOR 2-TANK |
| SHEET 3    | PART NO 134940       |



|            |                      |
|------------|----------------------|
| FIRST USED | 300 & F SER          |
| TITLE      | DO NOT SCALE DRAWING |
| SHEET 4    | PANEL-MONITOR 2-TANK |
| PART NO    | 134940               |



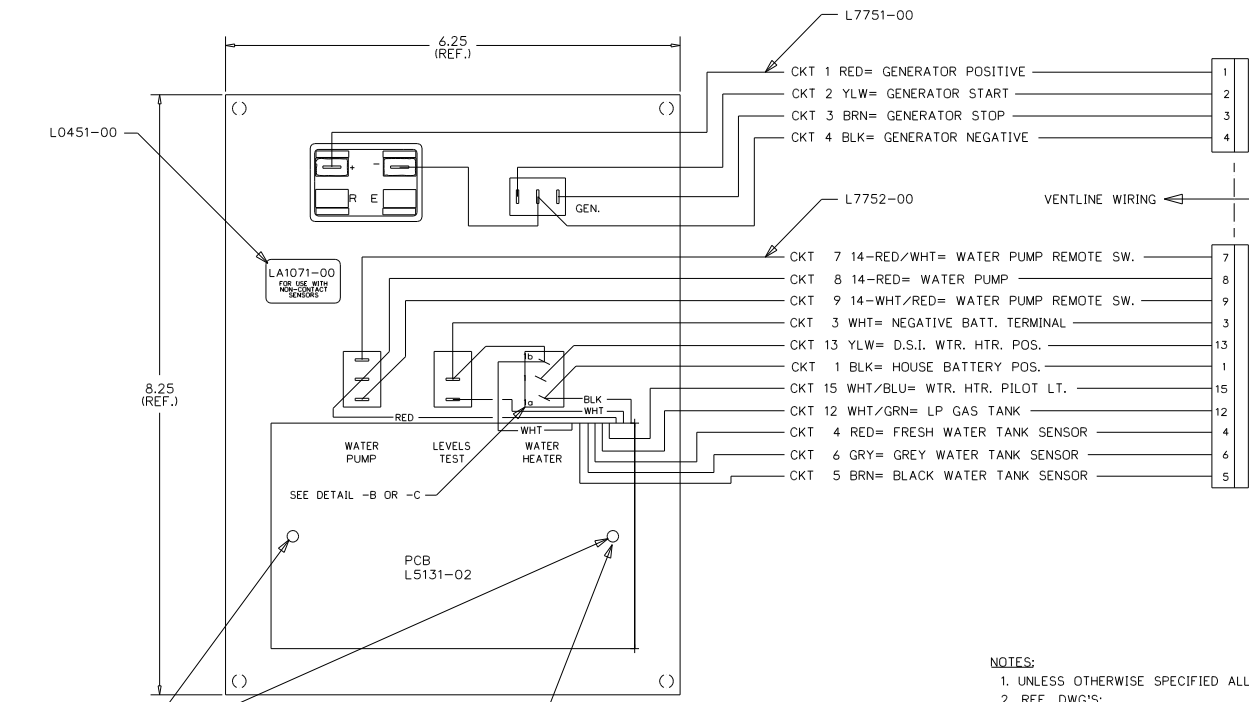
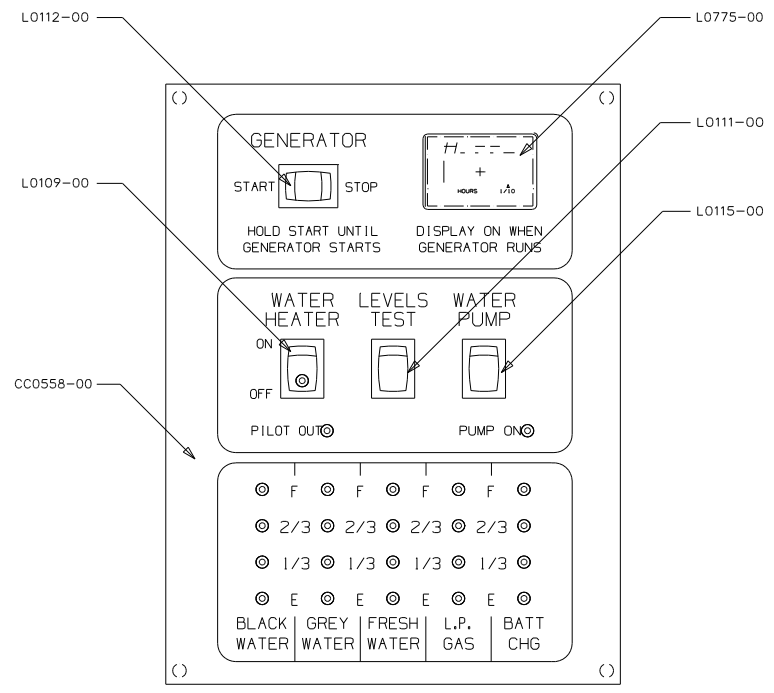
CONFIDENTIAL  
 THIS DOCUMENT, INCLUDING ALL INFORMATION CONTAINED HEREIN IS THE EXCLUSIVE AND CONFIDENTIAL PROPERTY OF VENTLINE DIVISION OF TOMKINS INDUSTRIES, INC. THE DOCUMENT AND INFORMATION ARE NOT TO BE COPIED, REPRODUCED OR DELIVERED TO OTHERS, IN WHOLE OR IN PART, WITHOUT THE EXPRESS WRITTEN PERMISSION OF VENTLINE. THE DOCUMENT IS TO BE RETURNED PROMPTLY TO VENTLINE AFTER HAVING SERVED THE PURPOSE FOR WHICH DELIVERED.  
 ©1995 VENTLINE DIVISION, TOMKINS INDUSTRIES, INC.  
 All Rights Reserved, including the right to reproduce this document or any part thereof

LA1071-00  
 PAGE 2 OF 2

LA1071-00  
 FOR USE WITH  
 NON-CONTACT  
 SENSORS  
 (MFG DATE)

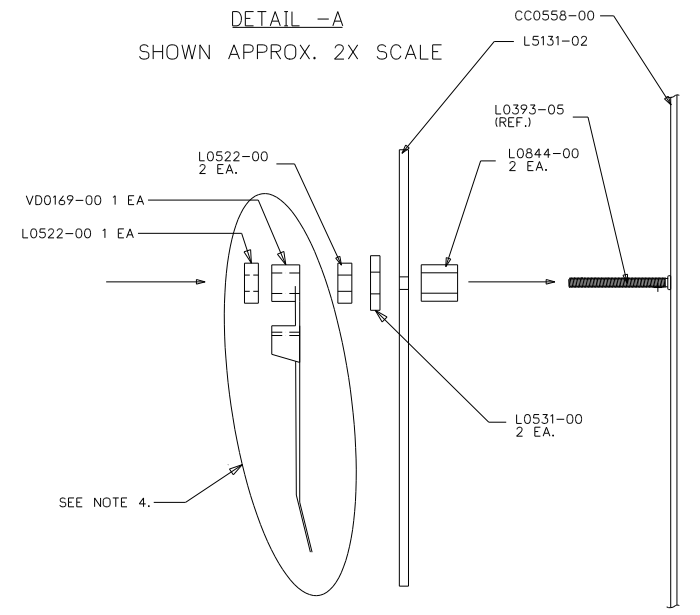
PRODUCT LABEL  
 PRINTING DETAIL  
 NO SCALE

| LTR. | DESCRIPTION                                    | DATE    | CHK. BY | CHK. BY |
|------|--|---------|---------|---------|
| REL  | RELEASED TO PURCHASING & PRODUCTION. ECN 16261 | 12/3/03 | MPF     | MPR     |
| A    | ADDED LABEL DETAIL ECN 16381                   | 4-6-04  | R.J.L.  | R.J.L.  |
| B    | L5131-02 WAS L5118-02 ECN 16394                | 4-21-04 | R.J.L.  | R.J.L.  |

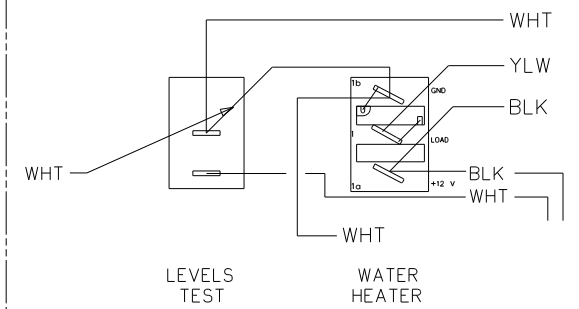


- NOTES:
- UNLESS OTHERWISE SPECIFIED ALL WIRE IS 22 AWG.
  - REF. DWG'S:  
 GENERATOR HARNESS= L7751-00  
 INTERNAL & SWITCH HARNESS= L7752-00  
 PCB= L5131-02  
 TEST HARNESS= L7753-00  
 TEST BOX= L8506-00
  - ALL PIGTAILS TO BE SUPPLIED BY CUSTOMER.
  - BEFORE PACKING, SECURE HARNESS WITH V00169-00 TIE WRAP ON RIGHT SIDE POST.

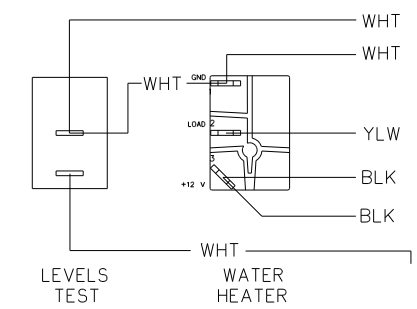
DETAIL -A  
 SHOWN APPROX. 2X SCALE



DETAIL -B  
 FOR L0109-00 "MARQUARDT"  
 SHOWN APPROX. 2X SCALE



DETAIL -C  
 FOR L0109-00 "CARLINGSWITCH"  
 SHOWN APPROX. 2X SCALE



| PART NO.  | REQ'D | MATERIAL | DESCRIPTION                       | DWG SIZE |
|-----------|-------|----------|-----------------------------------|----------|
| V00169-00 | 1     |          | TIE WRAP                          |          |
| L7752-00  | 1     |          | HARNESS, INTERNAL & SWITCH        |          |
| L7751-00  | 1     |          | HARNESS, GENERATOR                |          |
| L5131-02  | 1     |          | PCB                               |          |
| L0775-00  | 1     |          | HOBBS HOUR METER                  |          |
| L0531-00  | 2     |          | FIBER WASHER                      |          |
| L0522-00  | 3     |          | HEX NUT, 6-32                     |          |
| L0451-00  | 1     |          | LABEL - SEE PRINTING DETAIL ABOVE |          |
| L0844-00  | 2     |          | PCB SPACER                        |          |
| L0115-00  | 1     |          | SWITCH, SPDT ON-ON, BLK           |          |
| L0112-00  | 1     |          | SWITCH, SPDT (ON-OFF-ON), BLK     |          |
| L0111-00  | 1     |          | SWITCH, SPST MOM. (ON-OFF), BLK   |          |
| L0109-00  | 1     |          | SWITCH, SPST ON-OFF, BLK, GRN LT. |          |
| CC0558-00 | 1     |          | SILKSCREENED CHASSIS              |          |

ENGLISH (TOLERANCE UNLESS SPECIFIED)  
 0 PL.: .040 1 PL.: .020  
 2 PL.: .010 3 PL.: .005  
 FRACTIONS: 1/64

| BLANK SIZE   | DATE     | MATERIAL       | USED ON | WINNEBAGO |
|--------------|----------|----------------|---------|-----------|
| MPR 11/20/03 | 11/20/03 | SEE BOM PAGE 2 |         |           |
| MPR 11/20/03 | 11/20/03 |                |         |           |

PHILIPS IND. INC.  
 VENTLINE DIVISION  
 BRISTOL, INDIANA 46507

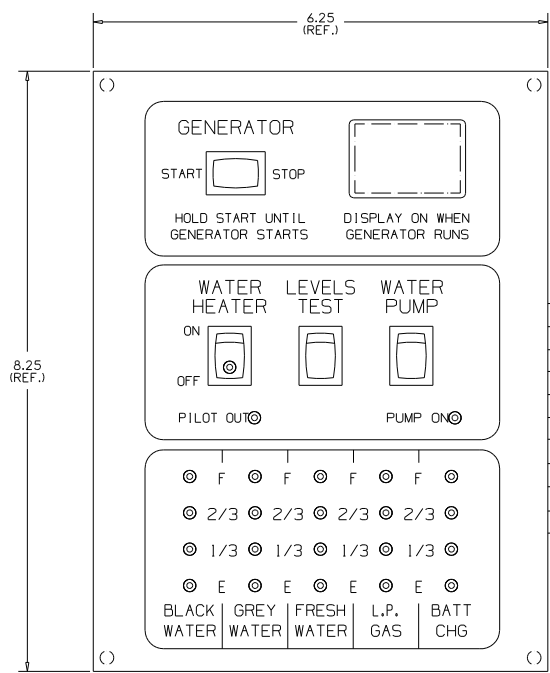
SCALE: NONE  
 DWG. NO. PAGE 2 OF 2  
 FUNCTION DRAWING, MONITOR PANEL LA1071-00

|            |                      |
|------------|----------------------|
| FIRST USED | 05 D SEIRES          |
| TITLE:     | DO NOT SCALE DRAWING |
|            | PANEL - MONITOR      |
| SHEET 6    | PART NO 134940       |

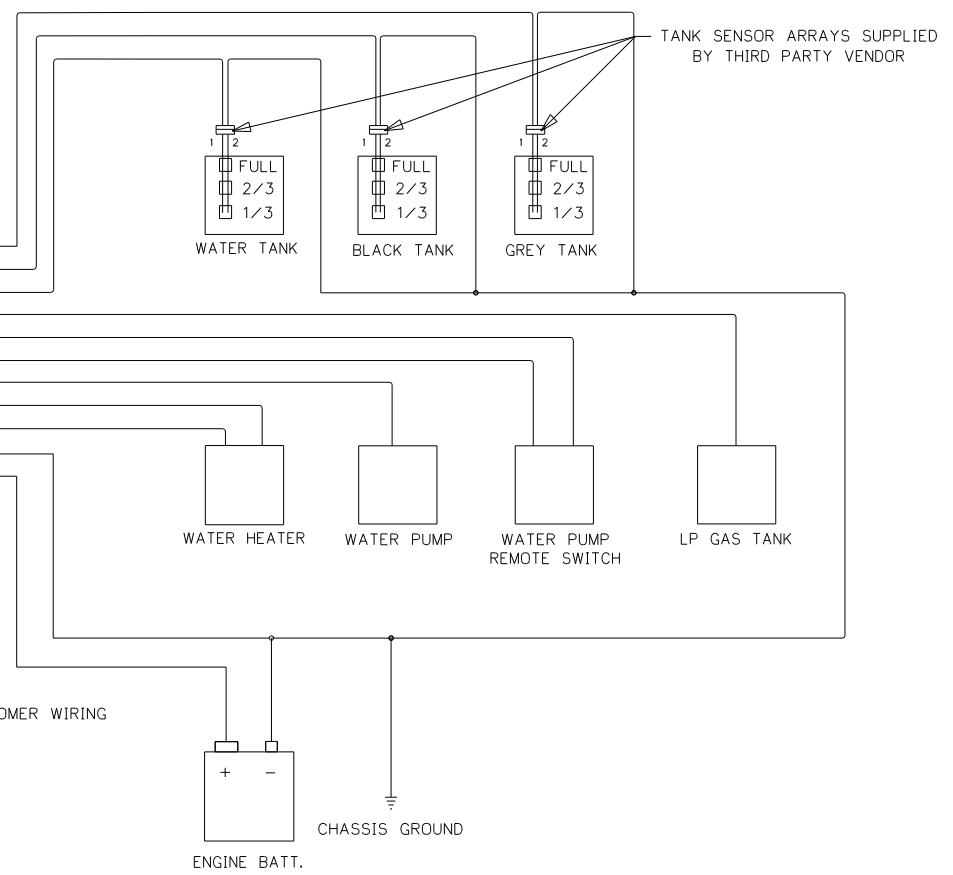
**CONFIDENTIAL**  
 THIS DOCUMENT, INCLUDING ALL INFORMATION CONTAINED HEREIN, IS THE EXCLUSIVE AND CONFIDENTIAL PROPERTY OF VENTLINE DIVISION OF TOWNS INDUSTRIES, INC. THE DOCUMENT AND INFORMATION ARE NOT TO BE COPIED, REPRODUCED OR DELIVERED TO OTHERS, IN WHOLE OR IN PART, WITHOUT THE EXPRESS WRITTEN PERMISSION OF VENTLINE. THE DOCUMENT IS TO BE RETURNED PROMPTLY TO VENTLINE AFTER HAVING SERVED THE PURPOSE FOR WHICH DELIVERED.  
 © 2005 VENTLINE DIVISION, TOWNS INDUSTRIES, INC.  
 All Rights Reserved, including the right to reproduce this document or any part thereof.

LA1073-00  
 PAGE 1 OF 2

| LTR. | DESCRIPTION                         | DATE    | CHK'D BY | CHK'D BY |
|------|-------------------------------------|---------|----------|----------|
| REL  | RELEASED TO PURCHASING & PRODUCTION | 12/3/03 | MPP      | MPP      |
| A    | SEE SHEET 2 ECN 16381               | 4-6-04  | R.J.L.   | R.J.L.   |
| B    | L5131-02 WAS L5118-02 ECN 16394     | 4-21-04 | R.J.L.   | R.J.L.   |



- 15 CKT CONNECTOR  
 MALE FEMALE
- 6 GRY= GREY WATER TANK SENSOR
  - 5 BRN= BLACK WATER TANK SENSOR
  - 4 RED= FRESH WATER TANK SENSOR
  - 12 WHT/GRN= LP GAS TANK
  - 7 14-RED/WHT= WATER PUMP REMOTE SW.
  - 9 14-WHT/RED= WATER PUMP REMOTE SW.
  - 8 14-RED= WATER PUMP
  - 13 YLW= D.S.I. WTR. HTR. POS.
  - 15 WHT/BLU= WTR. HTR. PILOT LT.
  - 3 WHT= NEGATIVE BATT. TERMINAL
  - 1 BLK= HOUSE BATTERY POS.
  - 2 N.C.
  - 10 N.C.
  - 11 N.C.
  - 14 N.C.



- NOTES:**
- UNLESS OTHERWISE SPECIFIED ALL WIRE IS 22 AWG.
  - REF. DWG'S:  
 HARNESS, INTERNAL & SWITCH= L7752-00  
 PCB= L5131-02  
 HARNESS, TEST= L7753-00  
 TEST BOX= L8506-00
  - ALL PIGTAILS TO BE SUPPLIED BY CUSTOMER.
  - BEFORE PACKING, SECURE HARNESS WITH VD0169-00 TIE WRAP ON RIGHT SIDE POST.

ENGLISH TOLERANCE UNLESS SPECIFIED  
 0 PL.: .040 1 PL.: .020  
 2 PL.: .010 3 PL.: .005  
 FRACTIONS: 1/64

| PART NO.   | REQ'D    | MATERIAL       | DESCRIPTION       | DWG SIZE |
|------------|----------|----------------|-------------------|----------|
| BLANK SIZE |          |                | USED ON WINNEBAGO |          |
| DRAWN      | DATE     | MATERIAL       |                   |          |
| MPR        | 11/21/03 | SEE BOM PAGE 2 |                   |          |
| CHECKED    | DATE     | NAME           |                   |          |
| MPR        | 11/21/03 |                |                   |          |
| APPR'D     | DATE     |                |                   |          |

FUNCTION DRAWING,  
 MONITOR PANEL  
 LA1073-00

|            |                      |
|------------|----------------------|
| FIRST USED | 05 D SERIES          |
| TITLE      | DO NOT SCALE DRAWING |
| SHEET 7    | PART NO 134940       |
|            | 1 5/24/2004          |

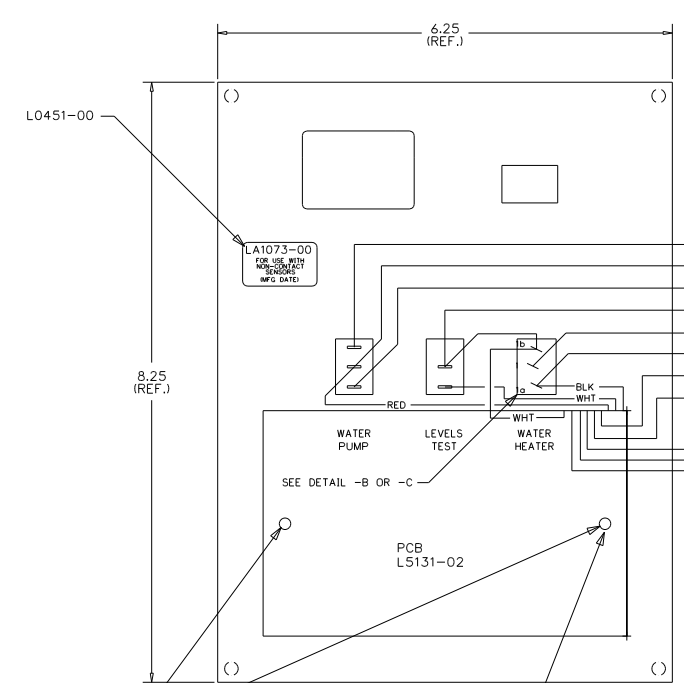
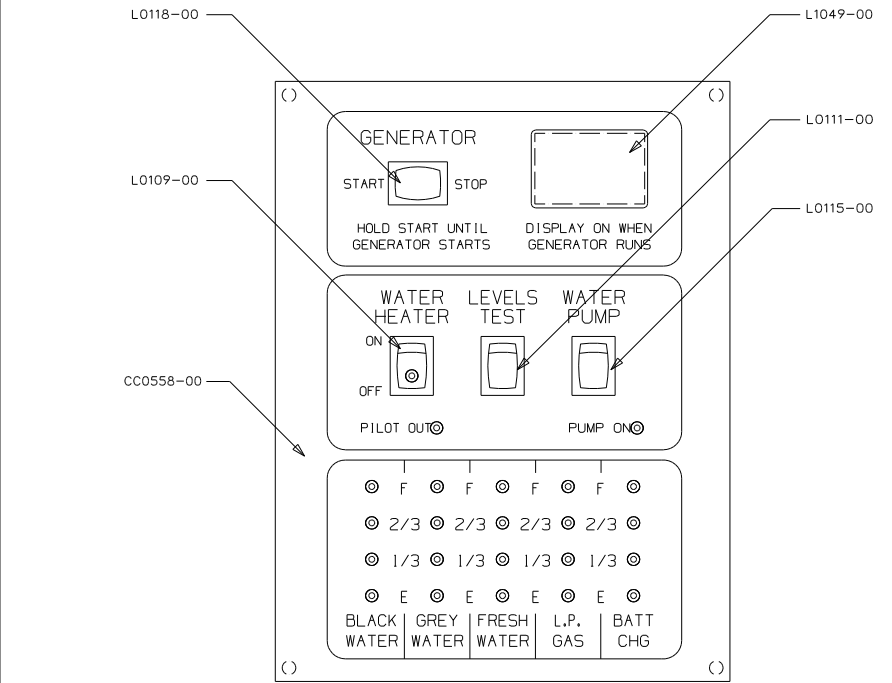
**CONFIDENTIAL**  
 THIS DOCUMENT, INCLUDING ALL INFORMATION CONTAINED HEREIN IS THE EXCLUSIVE AND CONFIDENTIAL PROPERTY OF VENTLINE DIVISION OF TOMKINS INDUSTRIES, INC. THE DOCUMENT AND INFORMATION ARE NOT TO BE COPIED, REPRODUCED OR DELIVERED TO OTHERS, IN WHOLE OR IN PART, WITHOUT THE EXPRESS WRITTEN PERMISSION OF VENTLINE. THE DOCUMENT IS TO BE RETURNED PROMPTLY TO VENTLINE AFTER HAVING SERVED THE PURPOSE FOR WHICH DELIVERED.  
 ©1995 VENTLINE DIVISION, TOMKINS INDUSTRIES, INC.  
 All Rights Reserved, including the right to register this document or any part thereof.

LA1073-00  
 PAGE 2 OF 2

| LTR. | DESCRIPTION                         | DATE    | CHK. BY | APP. BY |
|------|-------------------------------------|---------|---------|---------|
| REL  | RELEASED TO PURCHASING & PRODUCTION | 12/3/03 | MPP     | MPP     |
| A    | ADDED LABEL DETAIL ECN 16381        | 4-6-04  | R.J.    | R.J.    |
| B    | L5131-02 WAS L5118-02 ECN 16394     | 4-21-04 | R.J.    | R.J.    |

LA1073-00  
 FOR USE WITH  
 NON-CONTACT  
 SENSORS  
 (MFG DATE)

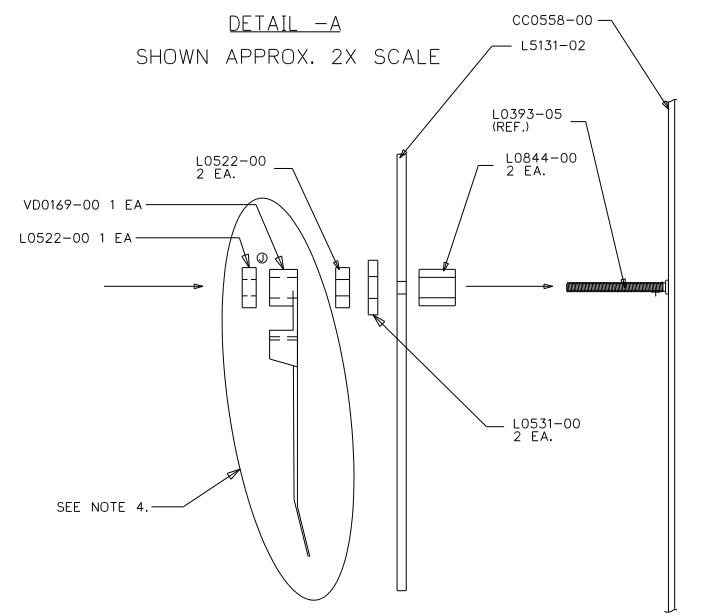
PRODUCT LABEL  
 PRINTING DETAIL  
 NO SCALE



| CTK | Color      | Description             | Terminal |
|-----|------------|-------------------------|----------|
| 7   | 14-RED/WHT | WATER PUMP REMOTE SW.   | 7        |
| 8   | 14-RED     | WATER PUMP              | 8        |
| 9   | 14-WHT/RED | WATER PUMP REMOTE SW.   | 9        |
| 3   | WHT        | NEGATIVE BATT. TERMINAL | 3        |
| 13  | YLW        | D.S.I. WTR. HTR. POS.   | 13       |
| 1   | BLK        | HOUSE BATTERY POS.      | 1        |
| 15  | WHT/BLU    | WTR. HTR. PILOT LT.     | 15       |
| 12  | WHT/GRN    | LP GAS TANK             | 12       |
| 4   | RED        | FRESH WATER TANK SENSOR | 4        |
| 6   | GRY        | GREY WATER TANK SENSOR  | 6        |
| 5   | BRN        | BLACK WATER TANK SENSOR | 5        |

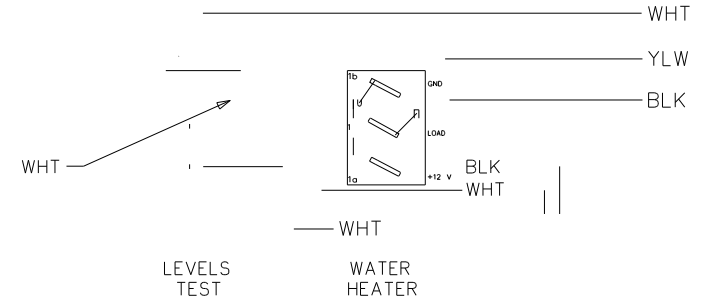
DETAIL -A

SHOWN APPROX. 2X SCALE



DETAIL -B

SHOWN APPROX. 2X SCALE



NOTES:

- UNLESS OTHERWISE SPECIFIED ALL WIRE IS 22 AWG.
- REF. DWG.'S:  
 HARNESS, INTERNAL & SWITCH= L7752-00  
 PCB= L5131-02  
 HARNESS, TEST= L7753-00  
 TEST BOX= L8504-00
- ALL PIGTAILS TO BE SUPPLIED BY CUSTOMER.
- BEFORE PACKING, SECURE HARNESS WITH VD0169-00 TIE WRAP ON RIGHT SIDE POST.

| PART NO.  | QTY | MATERIAL | DESCRIPTION                       | UWG SIZE |
|-----------|-----|----------|-----------------------------------|----------|
| VD0169-00 | 1   |          | TIE WRAP WITH POST HOLE           |          |
| L7752-00  | 1   |          | HARNESS, INTERNAL & SWITCH        |          |
| L5131-02  | 1   |          | PCB                               |          |
| L1049-00  | 1   |          | HOLE PLUG                         |          |
| L0531-00  | 4   |          | FIBER WASHER                      |          |
| L0522-00  | 3   |          | HEX NUT, 6-32                     |          |
| L0451-00  | 1   |          | LABEL                             |          |
| L0844-00  | 2   |          | PCB SPACER                        |          |
| L0118-00  | 1   |          | SWITCH, DUMMY                     |          |
| L0115-00  | 1   |          | SWITCH, SPDT ON-ON, BLK           |          |
| L0111-00  | 1   |          | SWITCH, SPST MOM. IONI-OFF, BLK   |          |
| L0109-00  | 1   |          | SWITCH, SPST ON-OFF, BLK, GRN LT. |          |
| CC0558-00 | 1   |          | SILKSCREENED CHASSIS              |          |

| BLANK SIZE | USED ON  | WINNEBAGO      |
|------------|----------|----------------|
| DRAWN      | DATE     | MATERIAL       |
| MPP        | 11/21/03 | SEE BOM PAGE 2 |
| CHECKED    | DATE     | NAME           |
| MPP        | 11/21/03 |                |
| APP'D      | DATE     |                |

ENGLISH (TOLERANCE UNLESS SPECIFIED)  
 0 PL ± .040 1 PL ± .020  
 2 PL ± .010 3 PL ± .005  
 FRACTIONS ± 1/64

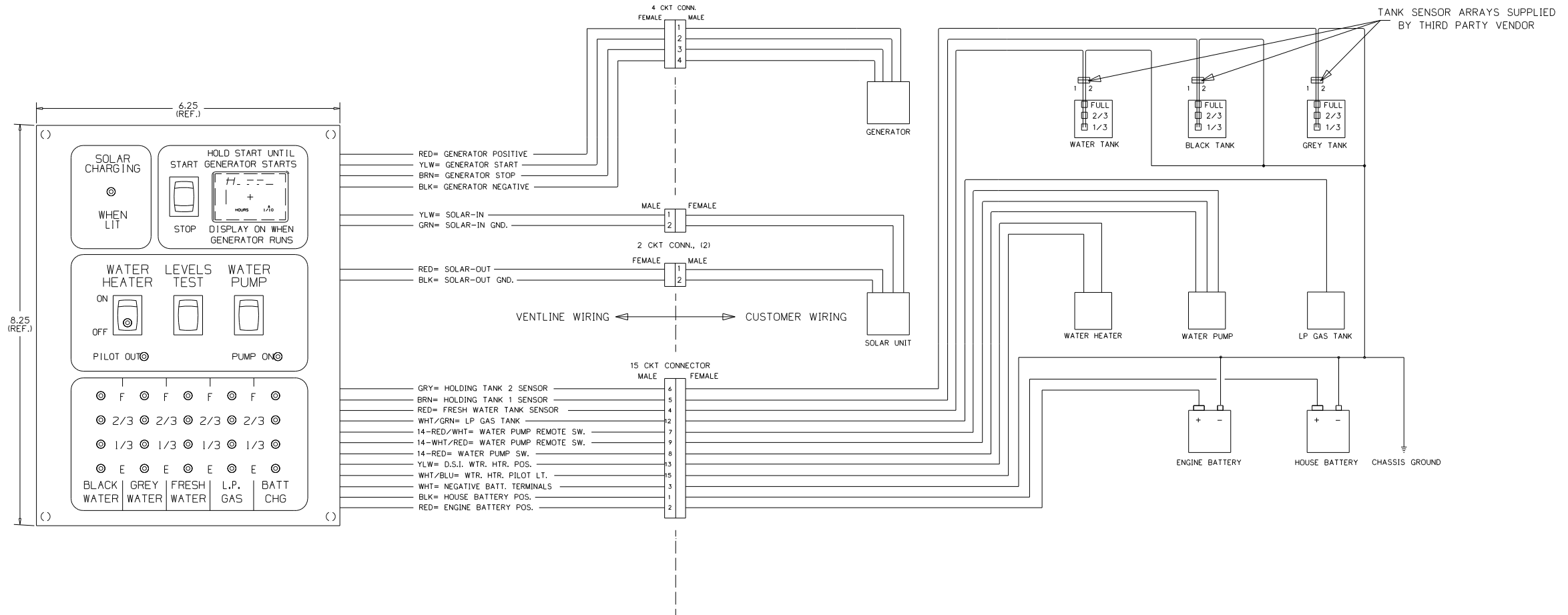
FUNCTION DRAWING, MONITOR PANEL  
 SCALE: NONE  
 DWG. NO. PAGE 2 OF 2  
 LA1073-00

|            |                      |
|------------|----------------------|
| FIRST USED | 05 D SERIES          |
| TITLE      | DO NOT SCALE DRAWING |
| SHEET 8    | PART NO 134940       |
|            | 1 5/24/2004          |

CONFIDENTIAL  
THIS DOCUMENT, INCLUDING ALL INFORMATION CONTAINED HEREIN, IS THE EXCLUSIVE AND CONFIDENTIAL PROPERTY OF VENTLINE DIVISION OF TOMKINS INDUSTRIES, INC. THE DOCUMENT AND INFORMATION ARE NOT TO BE COPIED, REPRODUCED OR DELIVERED TO OTHERS, IN WHOLE OR IN PART, WITHOUT THE EXPRESS WRITTEN PERMISSION OF VENTLINE. THE DOCUMENT IS TO BE RETURNED PROMPTLY TO VENTLINE AFTER HAVING SERVED THE PURPOSE FOR WHICH DELIVERED.  
© 1995 VENTLINE DIVISION, TOMKINS INDUSTRIES, INC.  
All Rights Reserved, including the right to reproduce this document or any part thereof.

LA1074-00  
PAGE 1 OF 2

| LTR. | DESCRIPTION                                    | DATE    | BY      | CHK'D |
|------|--|---------|---------|-------|
| REL  | RELEASED TO PURCHASING & PRODUCTION. ECN 16261 | 12/3/03 | MPR/MPR |       |
| A    | SEE SHEET 2 ECN 16381                          | 4-6-04  | R/L     | R/L   |
| B    | L5131-02 WAS L5118-02 ECN 16394                | 4-21-04 | R/L     | R/L   |



- NOTES:
- UNLESS OTHERWISE SPECIFIED ALL WIRE IS 22 AWG.
  - REF. DWG.'S:  
HARNESS, INTERNAL & SWITCH= L7752-00  
HARNESS, GEN. INTERNAL & SWITCH= L7786-00  
HARNESS, SOLAR LIGHT= L7722-00  
PCB= L5131-02  
HARNESS, TEST= L7753-00  
TEST BOX= L8506-00
  - ALL PIGTAILS TO BE SUPPLIED BY CUSTOMER.
  - BEFORE PACKING, SECURE HARNESS WITH V00169-00 TIE WRAP ON RIGHT SIDE POST.

ENGLISH TOLERANCE UNLESS SPECIFIED  
0 PL.: .040 1 PL.: .020  
2 PL.: .010 3 PL.: .005  
FRACTIONS 1/64

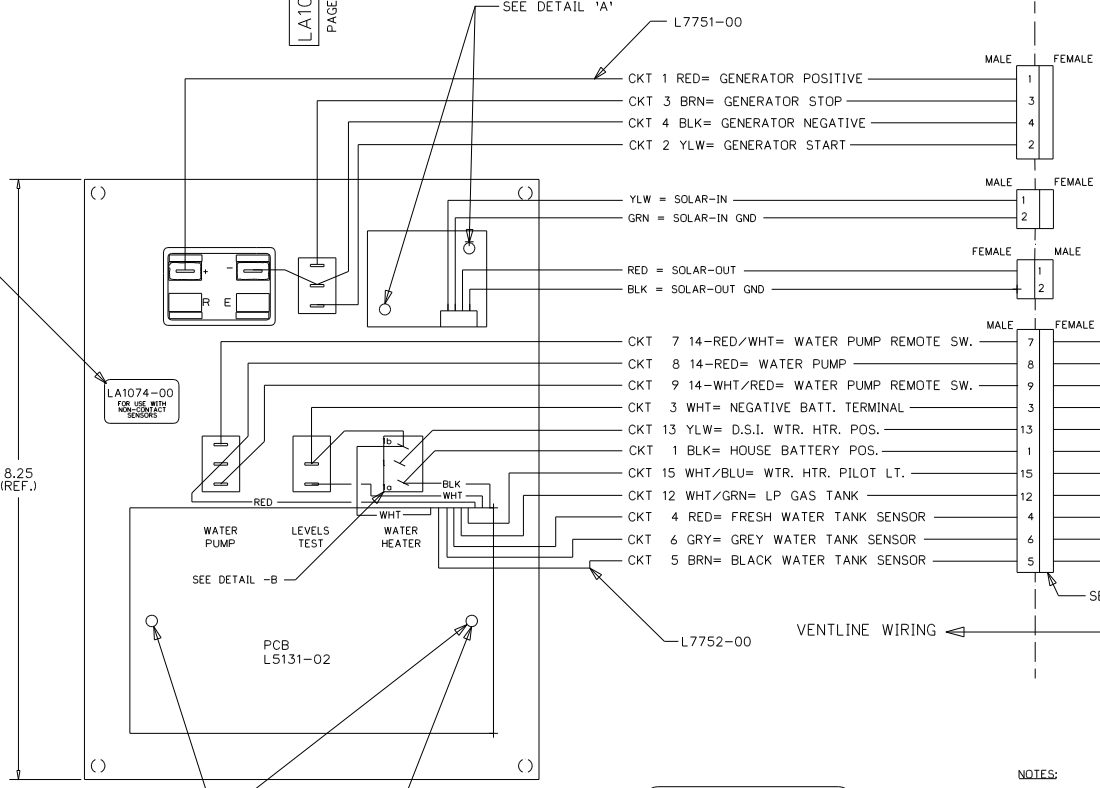
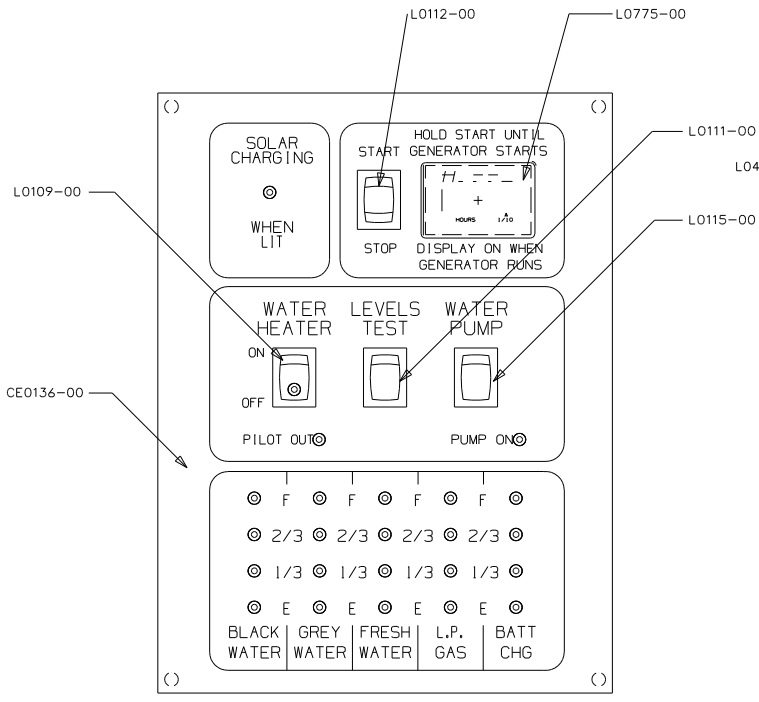
| PART NO. | REV'D | MATERIAL | DESCRIPTION  | DWG SIZE |
|----------|-------|----------|--|----------|
|          |       |          | USED WINNEBAGO   |          |
|          |       |          | PHILIPS IND. INC. VENTLINE DIVISION BRISTOL, INDIANA 46507 |          |
|          |       |          | SCALE: NONE  |          |
|          |       |          | FUNCTION DRAWING, MONITOR PANEL                            |          |
|          |       |          | DWG. NO. LA1074-00   |          |

|            |                      |
|------------|----------------------|
| FIRST USED | 05 D SERIES          |
| TITLE      | DO NOT SCALE DRAWING |
|            | PANEL - MONITOR      |
| SHEET 9    | PART NO 134940       |

CONFIDENTIAL  
THIS DOCUMENT, INCLUDING ALL INFORMATION CONTAINED HEREIN IS THE EXCLUSIVE AND CONFIDENTIAL PROPERTY OF VENTLINE DIVISION OF TOMKINS INDUSTRIES, INC. THE DOCUMENT AND INFORMATION ARE NOT TO BE COPIED, REPRODUCED OR DELIVERED TO OTHERS, IN WHOLE OR IN PART, WITHOUT THE EXPRESS WRITTEN PERMISSION OF VENTLINE. THE DOCUMENT IS TO BE RETURNED PROMPTLY TO VENTLINE AFTER HAVING SERVED THE PURPOSE FOR WHICH DELIVERED.  
©1995 VENTLINE DIVISION, TOMKINS INDUSTRIES, INC.  
All Rights Reserved, including the right to reproduce this document or any part thereof.

LA1074-00  
PAGE 2 OF 2

| LTR. | DESCRIPTION                                   | DATE    | CHK. BY | CHK. BY |
|------|---|---------|---------|---------|
| REL  | RELEASED TO PURCHASING & PRODUCTION ECN 16261 | 12/3/03 | MPPR    | MPPR    |
| A    | ADDED LABEL DETAIL ECN 16381                  | 4-6-04  | R.L.    | R.L.    |
| B    | L5131-02 WAS L5118-02 ECN 16394               | 4-21-04 | R.L.    | R.L.    |

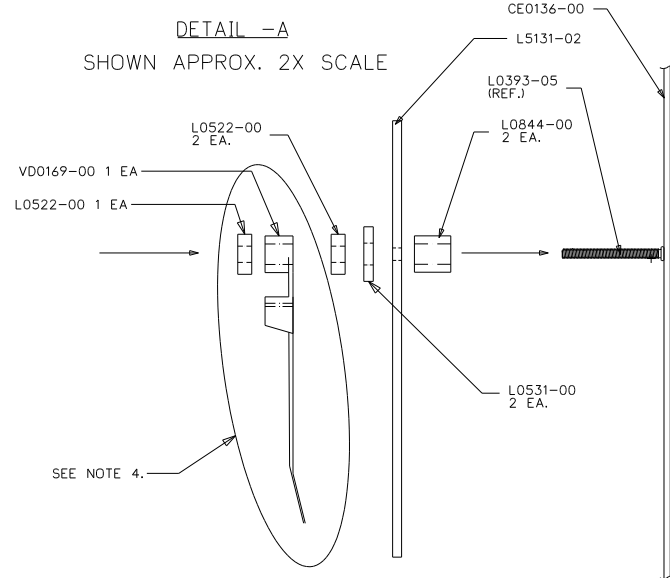


LA1074-00  
FOR USE WITH  
NON-CONTACT  
SENSORS  
(MFG DATE)

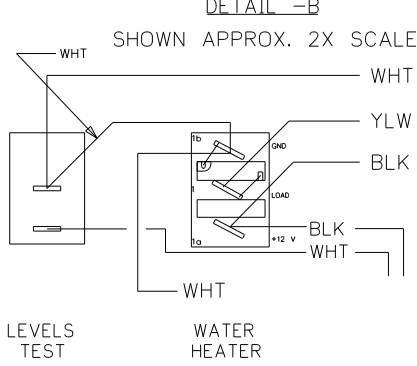
PRODUCT LABEL  
PRINTING DETAIL  
NO SCALE

- NOTES:
- UNLESS OTHERWISE SPECIFIED ALL WIRE IS 22 AWG.
  - REF. DWG.'S:  
HARNESS, INTERNAL & SWITCH= L7752-00  
HARNESS, GEN. INTERNAL & SWITCH= L7786-00  
HARNESS, SOLAR LIGHT= L7722-00  
PCB= L5131-02  
HARNESS, TEST= L7753-00  
TEST BOX= L8506-00
  - ALL PIGTAILS TO BE SUPPLIED BY CUSTOMER.
  - BEFORE PACKING, SECURE HARNESS WITH V00169-00 TIE WRAP ON RIGHT SIDE POST.

DETAIL -A  
SHOWN APPROX. 2X SCALE



DETAIL -B  
SHOWN APPROX. 2X SCALE



| PART NO.  | REQ'D | MATERIAL | DESCRIPTION                       | QTY |
|-----------|-------|----------|-----------------------------------|-----|
| V00169-00 | 1     |          | TIE WRAP                          |     |
| L7752-00  | 1     |          | HARNESS, INTERNAL & SWITCH        |     |
| L7751-00  | 1     |          | HARNESS, GENERATOR                |     |
| L7722-00  | 1     |          | SOLAR LIGHT HARNESS               |     |
| L5121-01  | 1     |          | SOLAR LIGHT PCB                   |     |
| L5131-02  | 1     |          | PCB                               |     |
| L0775-00  | 1     |          | HOBBS HOUR METER                  |     |
| L0531-00  | 4     |          | FIBER WASHER                      |     |
| L0522-00  | 5     |          | HEX NUT, 6-32                     |     |
| L0451-00  | 1     |          | LABEL                             |     |
| L0844-00  | 4     |          | PCB SPACER                        |     |
| L0115-00  | 1     |          | SWITCH, SPDT ON-OFF, BLK          |     |
| L0112-00  | 1     |          | SWITCH, SPDT (ON)-OFF-(ON), BLK   |     |
| L0111-00  | 1     |          | SWITCH, SPST MOM. (ON)-OFF, BLK   |     |
| L0109-00  | 1     |          | SWITCH, SPST ON-OFF, BLK, GRN LT. |     |
| CE0136-00 | 1     |          | SILKSCREENED CHASSIS              |     |

ENGLISH (TOLERANCE UNLESS SPECIFIED)  
0 PL.:.040 1 PL.:.020  
2 PL.:.010 3 PL.:.005  
FRACTIONS 1/64

| BLANK SIZE | DATE     | MATERIAL | USED ON | WINNEBAGO |
|------------|----------|----------|---------|-----------|
|            | 11/21/03 | SEE BOM  |         |           |
|            |          |          |         |           |
|            |          |          |         |           |
|            |          |          |         |           |
|            |          |          |         |           |

PHILIPS IND., INC.  
VENTLINE DIVISION  
BRISTOL, INDIANA 46507

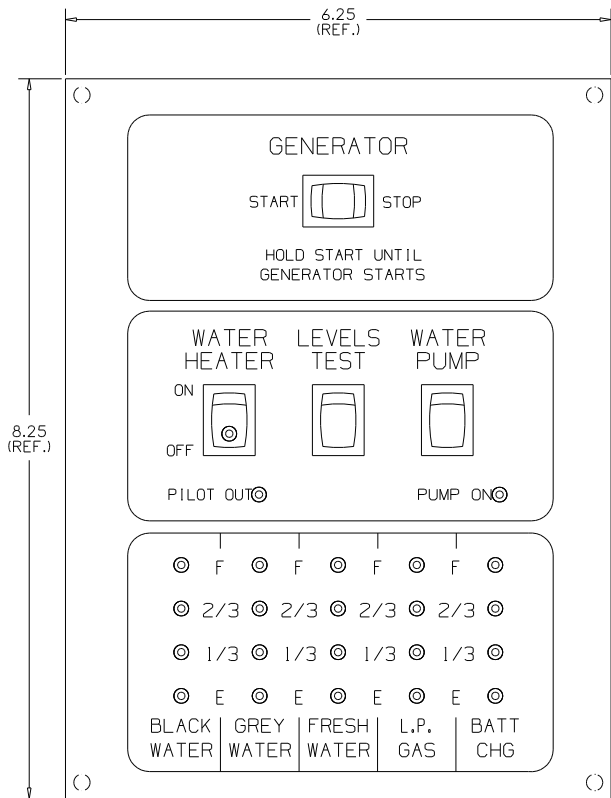
SCALE: NONE  
FUNCTION DRAWING, MONITOR PANEL  
LA1074-00  
DWG. NO. PAGE 2 OF 2

|            |                      |
|------------|----------------------|
| FIRST USED | 05 D SERIES          |
| TITLE:     | DO NOT SCALE DRAWING |
|            | PANEL - MONITOR      |
| SHEET 10   | PART NO 134940       |
|            | 1 5/24/2004          |

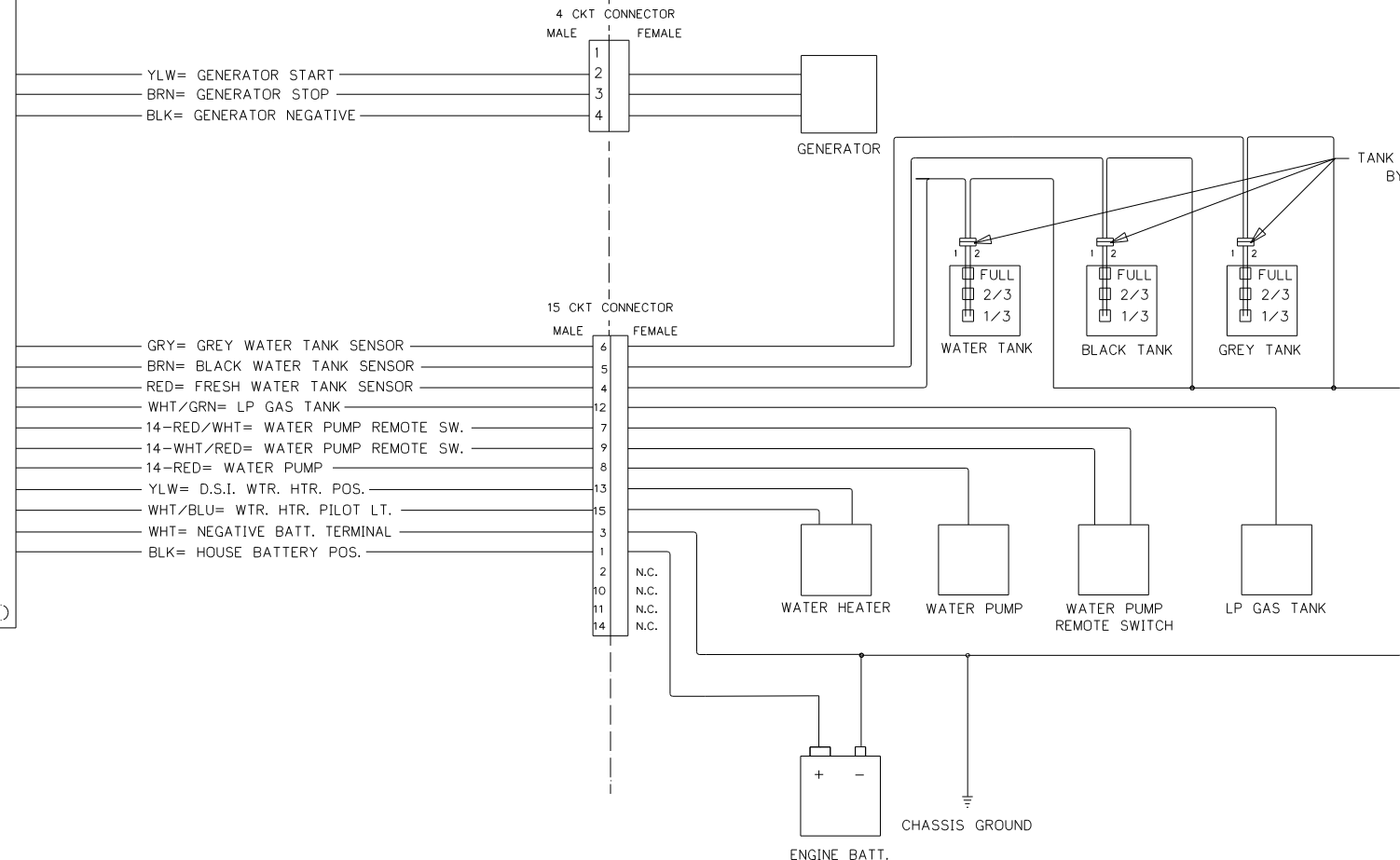
CONFIDENTIAL  
THIS DOCUMENT, INCLUDING ALL INFORMATION CONTAINED HEREIN, IS THE EXCLUSIVE AND CONFIDENTIAL PROPERTY OF VENTLINE DIVISION OF TOMKINS INDUSTRIES, INC. THE DOCUMENT AND INFORMATION ARE NOT TO BE COPIED, REPRODUCED OR DELIVERED TO OTHERS, IN WHOLE OR IN PART, WITHOUT THE EXPRESS WRITTEN PERMISSION OF VENTLINE. THE DOCUMENT IS TO BE RETURNED PROMPTLY TO VENTLINE AFTER HAVING SERVED THE PURPOSE FOR WHICH DELIVERED.  
©1995 VENTLINE DIVISION, TOMKINS INDUSTRIES, INC.  
All Rights Reserved, including the right to reproduce this document or any part thereof.

LA1075-00  
PAGE 1 OF 2

| LTR. | DESCRIPTION                           | DATE    | CHK. BY   |
|------|---------------------------------------|---------|-----------|
| REL  | RELEASED TO PURCHASING AND PRODUCTION | 12/3/03 | MPR/MPR   |
| A    | SEE SHEET 2 ECN 16381                 | 4-6-04  | R.L. R.L. |
| B    | L5131-02 WAS L5118-02 ECN 16394       | 4-21-04 | R.L. R.L. |



VENTLINE WIRING ← → CUSTOMER WIRING



- NOTES:
- UNLESS OTHERWISE SPECIFIED ALL WIRE IS 22 AWG.
  - REF. DWG.'S:  
HARNESS, INTERNAL & SWITCH= L7752-00  
HARNESS, GEN. INTERNAL & SWITCH= L7786-00  
HARNESS, SOLAR LIGHT= L7722-00  
PCB= L5131-02  
HARNESS, TEST= L7753-00  
TEST BOX= L8506-00
  - ALL PIGTAILS TO BE SUPPLIED BY CUSTOMER.
  - BEFORE PACKING, SECURE HARNESS WITH VD0169-00 TIE WRAP ON RIGHT SIDE POST.

ENGLISH TOLERANCE UNLESS SPECIFIED:  
0 PL. ± .040 1 PL. ± .020  
2 PL. ± .010 3 PL. ± .005  
FRACTIONS ± 1/64

| PART NO.     | REQ'D | MATERIAL | DESCRIPTION       | DWG SIZE |
|--------------|-------|----------|-------------------|----------|
| BLANK SIZE   |       |          | USED ON WINNEBAGO |          |
| DRAWN        | DATE  | MATERIAL | SEE BOM PAGE 2    |          |
| MPR 11/21/03 |       |          |                   |          |
| CHECKED      | DATE  | NAME     | SCALE: NONE       |          |
| MPR 11/21/03 |       |          |                   |          |
| APPV'D       | DATE  |          |                   |          |

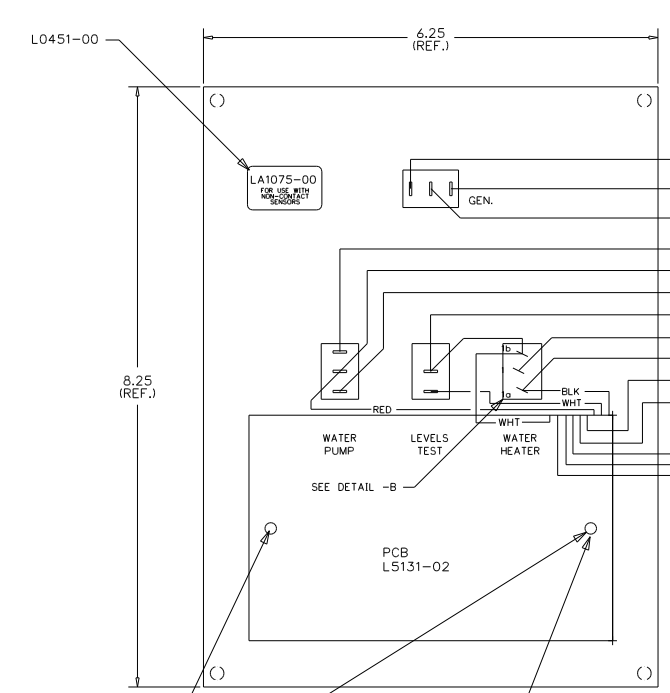
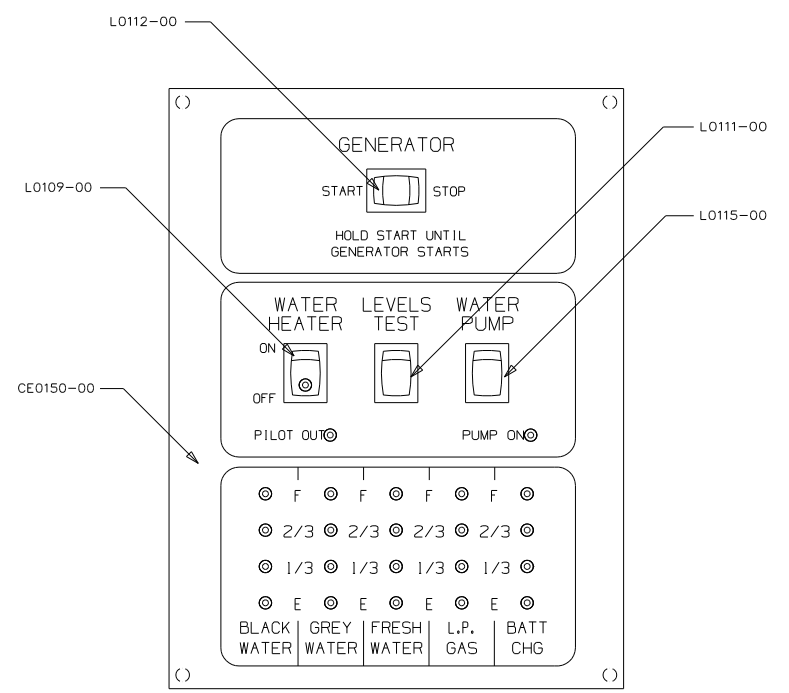
FUNCTION DRAWING, MONITOR PANEL  
DWG. NO. PAGE 1 OF 2  
LA1075-00

|            |                      |
|------------|----------------------|
| FIRST USED | 06 500 SERIES        |
| TITLE:     | DO NOT SCALE DRAWING |
| SHEET 11   | PART NO 134940       |

CONFIDENTIAL  
 THIS DOCUMENT, INCLUDING ALL INFORMATION CONTAINED HEREIN IS THE EXCLUSIVE AND CONFIDENTIAL PROPERTY OF VENTLINE DIVISION OF TORNDING INDUSTRIES, INC. THE DOCUMENT AND INFORMATION ARE NOT TO BE COPIED, REPRODUCED OR DELIVERED TO OTHERS, IN WHOLE OR IN PART, WITHOUT THE EXPRESS WRITTEN PERMISSION OF VENTLINE. THE DOCUMENT IS TO BE RETURNED PROMPTLY TO VENTLINE AFTER HAVING SERVED THE PURPOSE FOR WHICH DELIVERED.  
 ©1995 VENTLINE DIVISION, TORNDING INDUSTRIES, INC.  
 All Rights Reserved, including the right to reproduce this document or any part thereof.

LA1075-00  
 PAGE 2 OF 2

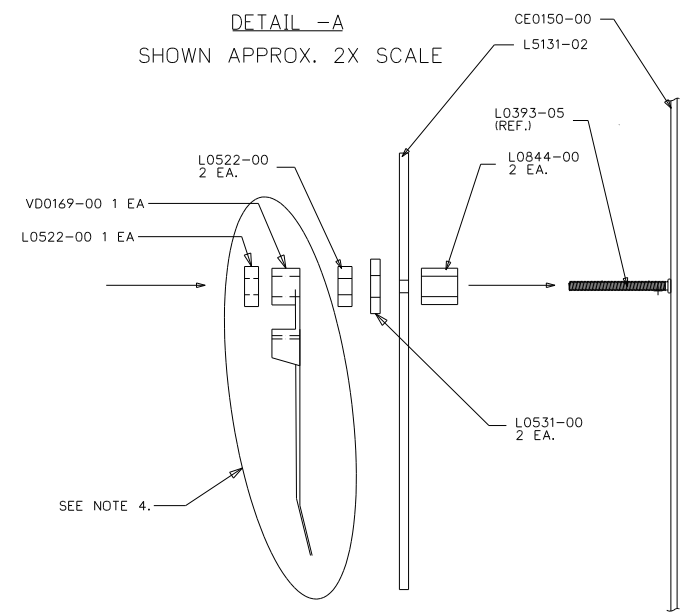
| LTR. | DESCRIPTION                           | DATE      | CHK. BY | CHK. BY |
|------|---------------------------------------|-----------|---------|---------|
| REL  | RELEASED TO PURCHASING AND PRODUCTION | 12/3/03   | MP/MP   | MP/MP   |
|      | ECN 16261                             |           |         |         |
| A    | ADDED LABEL DETAIL                    | ECN 16381 | 4-6-04  | R.J.L.  |
| B    | L5131-02 WAS L5118-02                 | ECN 16394 | 4-21-04 | R.J.L.  |



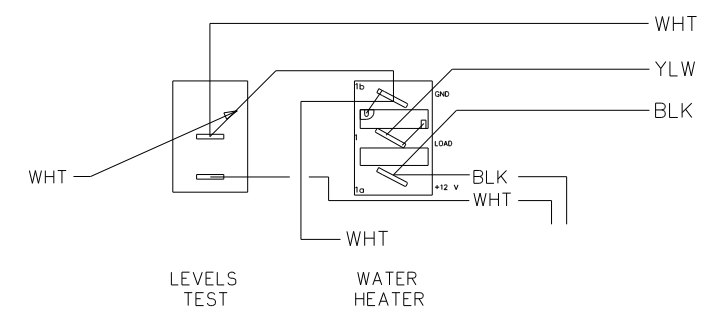
- CKT 1 = NOT USED
- CKT 2 YLW= GENERATOR START
- CKT 3 BRN= GENERATOR STOP
- CKT 4 BLK= GENERATOR NEGATIVE
- CKT 7 14-RED/WHT= WATER PUMP REMOTE SW.
- CKT 8 14-RED= WATER PUMP
- CKT 9 14-WHT/RED= WATER PUMP REMOTE SW.
- CKT 3 WHT= NEGATIVE BATT. TERMINAL
- CKT 13 YLW= D.S.I. WTR. HTR. POS.
- CKT 1 BLK= HOUSE BATTERY POS.
- CKT 15 WHT/BLU= WTR. HTR. PILOT LT.
- CKT 12 WHT/GRN= LP GAS TANK
- CKT 4 RED= FRESH WATER TANK SENSOR
- CKT 6 GRY= GREY WATER TANK SENSOR
- CKT 5 BRN= BLACK WATER TANK SENSOR

VENTLINE WIRING ← → CUSTOMER WIRING

DETAIL -A  
 SHOWN APPROX. 2X SCALE



DETAIL -B  
 SHOWN APPROX. 2X SCALE



LA1075-00  
 FOR USE WITH  
 NON-CONTACT  
 SENSORS  
 (MFG DATE)

PRODUCT LABEL  
 PRINTING DETAIL  
 NO SCALE

- NOTES:
- UNLESS OTHERWISE SPECIFIED ALL WIRE IS 22 AWG.
  - REF. DWG.'S:  
 HARNESS, INTERNAL & SWITCH= L7785-01, -02  
 HARNESS, GEN. INTERNAL & SWITCH= L7786-00  
 PCB= L5131-02  
 HARNESS, TEST= L8012-00  
 TEST BOX= L8506-00
  - ALL PIGTAILS TO BE SUPPLIED BY CUSTOMER.
  - BEFORE PACKING, SECURE HARNESS WITH V00169-00 TIE WRAP ON RIGHT SIDE POST.

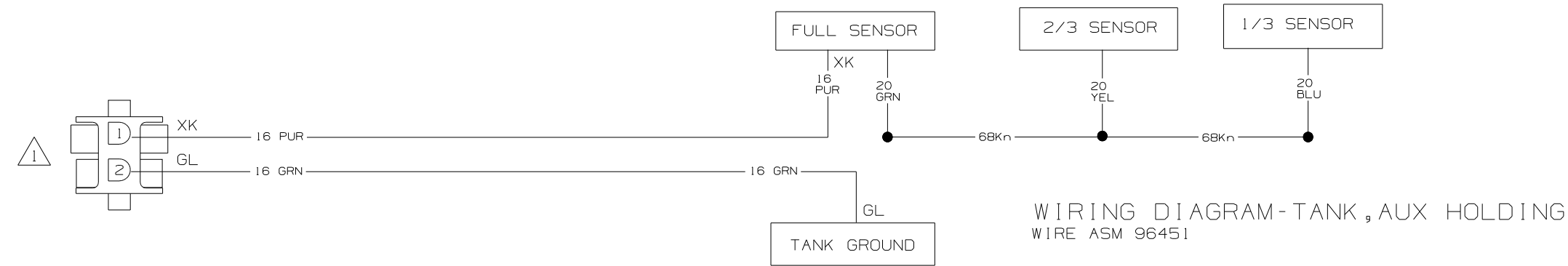
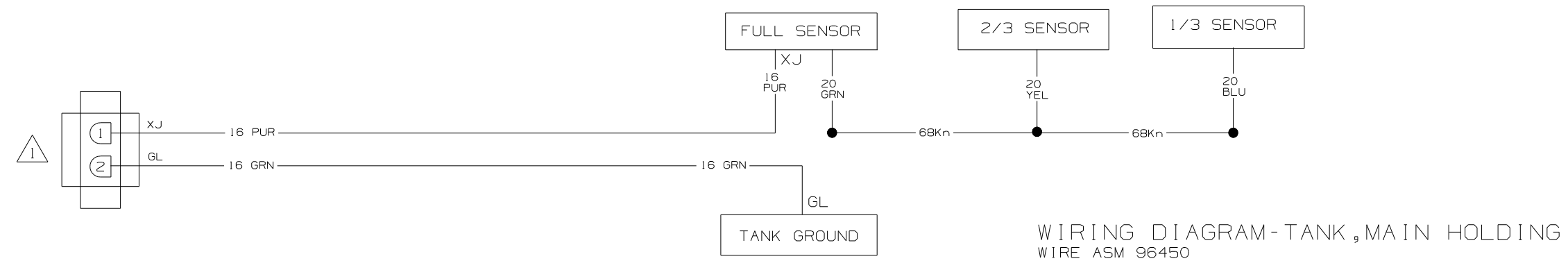
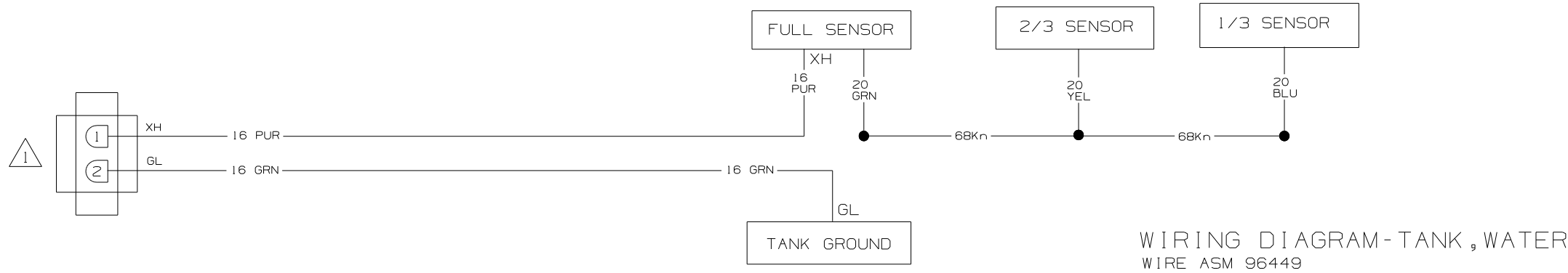
| PART NO.  | QTY | MATERIAL | DESCRIPTION                       | DWG SIZE |
|-----------|-----|----------|-----------------------------------|----------|
| V00169-00 | 1   |          | TIE WRAP                          |          |
| L7752-00  | 1   |          | HARNESS, INTERNAL & SWITCH        |          |
| L7832-00  | 1   |          | HARNESS, GENERATOR                |          |
| L5131-02  | 1   |          | PCB                               |          |
| L0531-00  | 2   |          | FIBER WASHER                      |          |
| L0522-00  | 3   |          | HEX NUT, 4-32                     |          |
| L0451-00  | 1   |          | LABEL                             |          |
| L0844-00  | 2   |          | PCB SPACER                        |          |
| L0115-00  | 1   |          | SWITCH, SPDT ON-ON, BLK           |          |
| L0112-00  | 1   |          | SWITCH, SPDT IONI-OFF-IONI, BLK   |          |
| L0111-00  | 1   |          | SWITCH, SPST MOM. IONI-OFF, BLK   |          |
| L0109-00  | 1   |          | SWITCH, SPST ON-OFF, BLK, GRN LT. |          |
| CE0150-00 | 1   |          | SILKSCREENED CHASSIS              |          |

| BLANK SIZE | DATE     | MATERIAL | USED ON | WINNEBAGO |
|------------|----------|----------|---------|-----------|
| MPR        | 11/21/03 | SEE BOM  |         |           |
| CHECKED    | DATE     | NAME     |         |           |
| MPR        | 11/21/03 |          |         |           |
| APPV'D     | DATE     |          |         |           |

ENGLISH (TOLERANCE UNLESS SPECIFIED)  
 0 PL.: .040 1 PL.: .020  
 2 PL.: .010 3 PL.: .005  
 FRACTIONS: 1/64

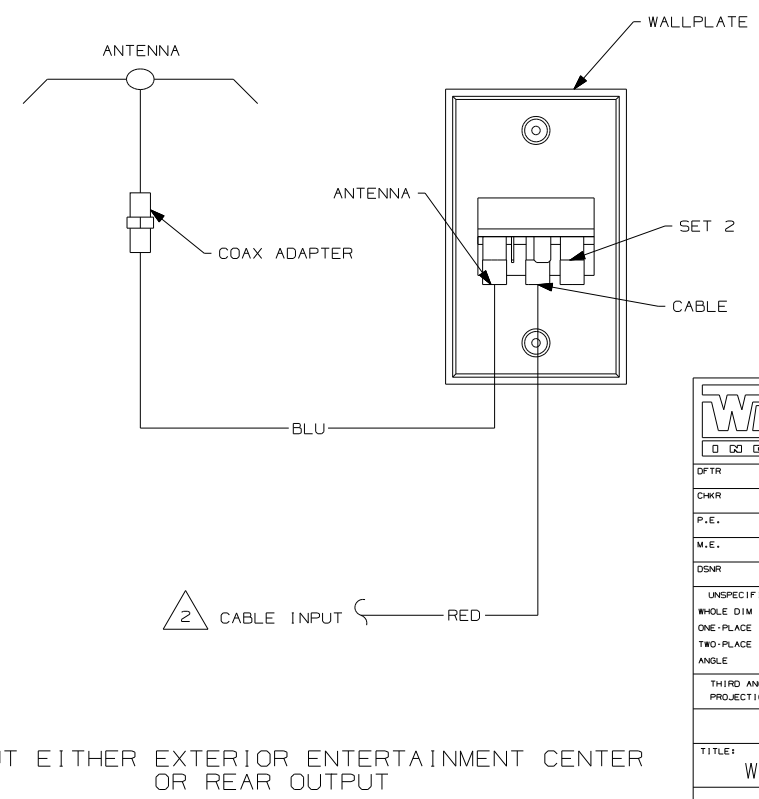
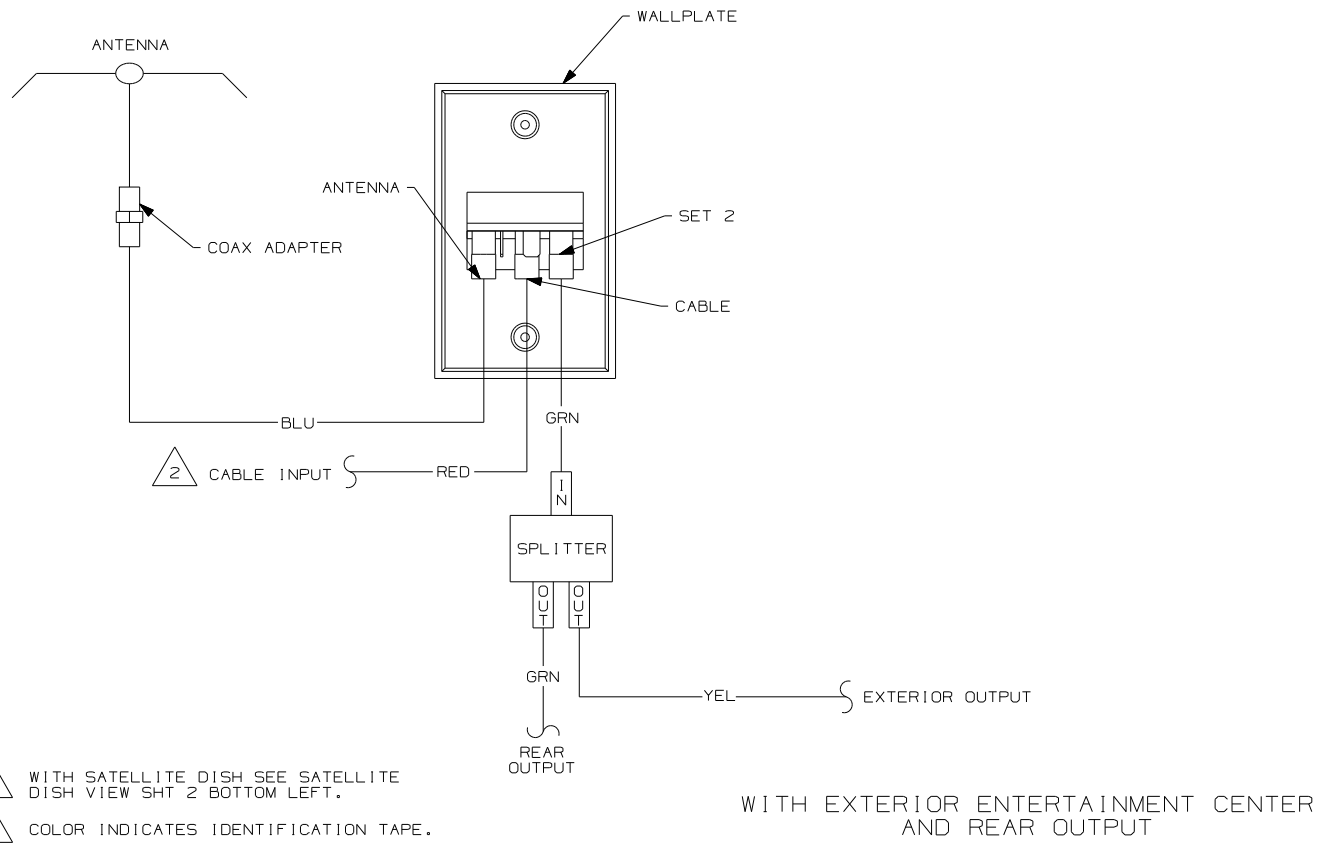
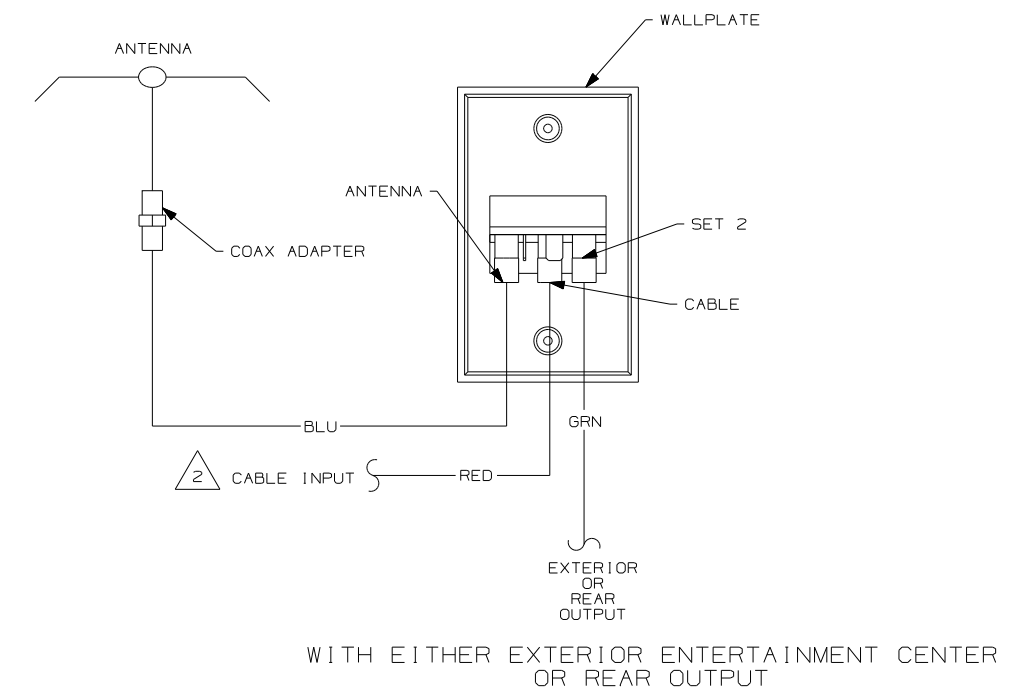
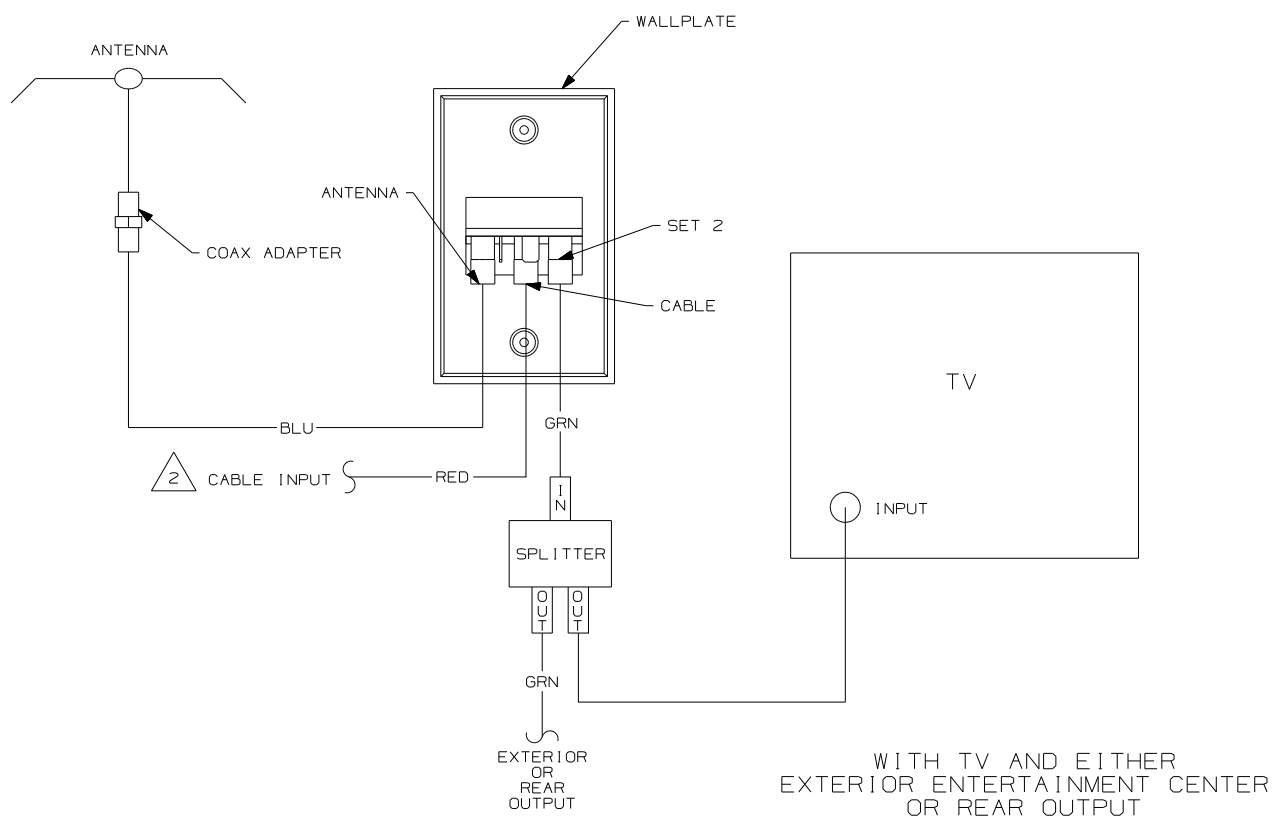
FUNCTION DRAWING,  
 MONITOR PANEL  
 LA1075-00

|            |                      |
|------------|----------------------|
| FIRST USED | 06 500 SERIES        |
| TITLE:     | DO NOT SCALE DRAWING |
|            | PANEL - MONITOR      |
| SHEET 12   | PART NO 134940       |



NOTES:  
1. SEE WIRING DIAGRAM-BODY FOR ADDITIONAL INFORMATION.

|  |            |   |  |
|--|------------|---|--|
| <b>WINNEBAGO</b>                       |            | COPYRIGHT 2002<br>WINNEBAGO<br>INDUSTRIES, INC. |  |
| DFTF                                   | ORIG. DATE | ALL DIMENSIONS ARE<br>IN MILLIMETERS            |  |
| CHKR                                   |            | FIRST USED                                      |  |
| P.E.                                   |            | 03 SERIES                                       |  |
| M.E.                                   |            | UNSPECIFIED TOLERANCES ARE:                     |  |
| DSNR                                   |            | MATERIAL:                                       |  |
|  |            | WHOLE DIM (X) :                                 |  |
|  |            | ONE-PLACE (X.X) :                               |  |
|  |            | TWO-PLACE (X.XX) :                              |  |
|  |            | ANGLE :   |  |
| THIRD ANGLE<br>PROJECTION              |            |   |  |
| DO NOT SCALE DRAWING                   |            |   |  |
| TITLE:<br>WIRING DIAGRAM-HOLDING TANKS |            |   |  |
| SHEET 1 OF 1                           | PART NO    | 110664  |  |
| REF:                                   | 1 11/13/02 |   |  |

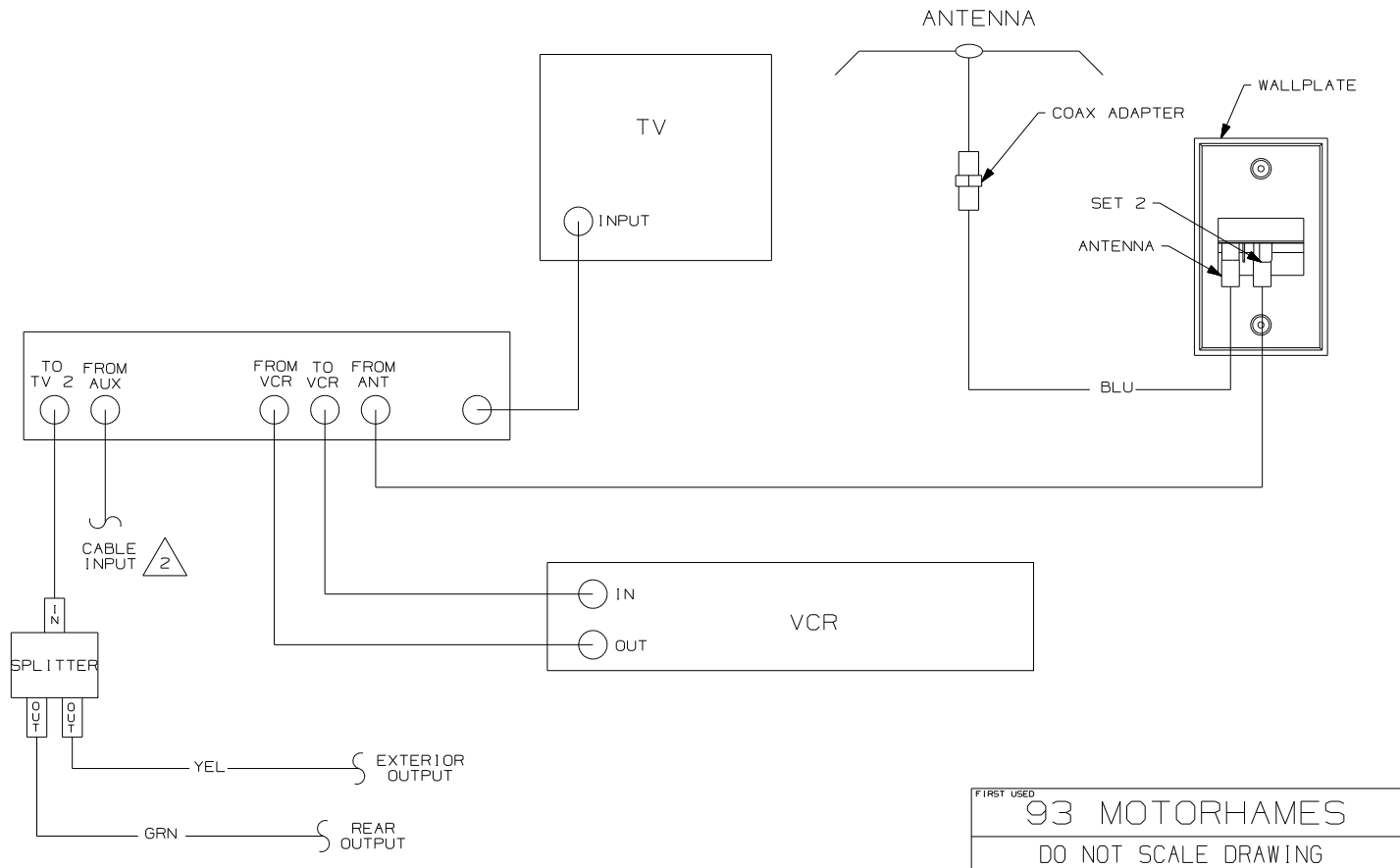
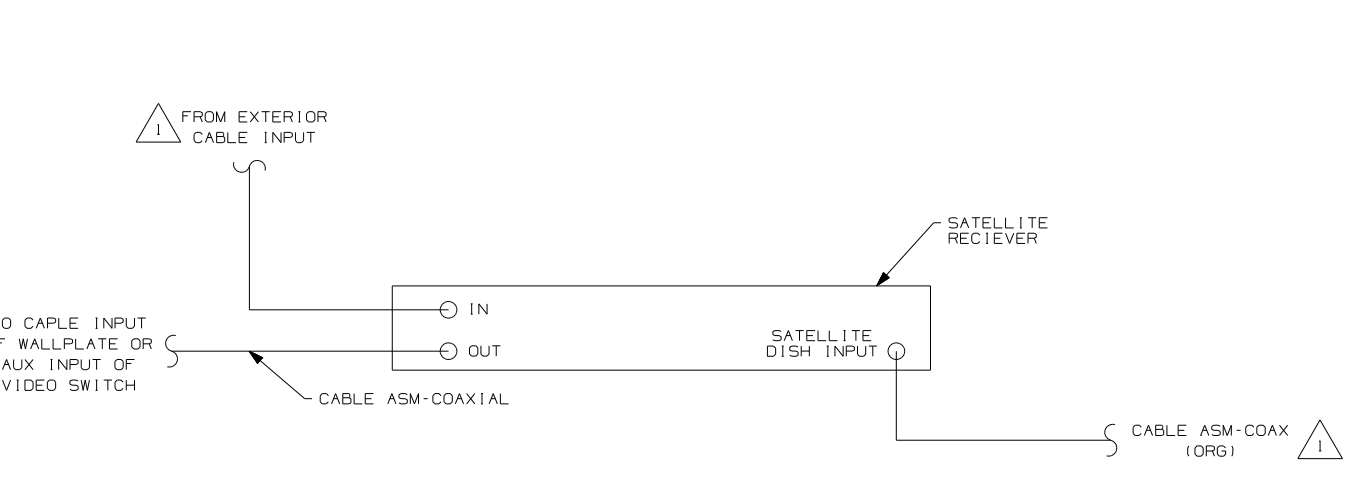
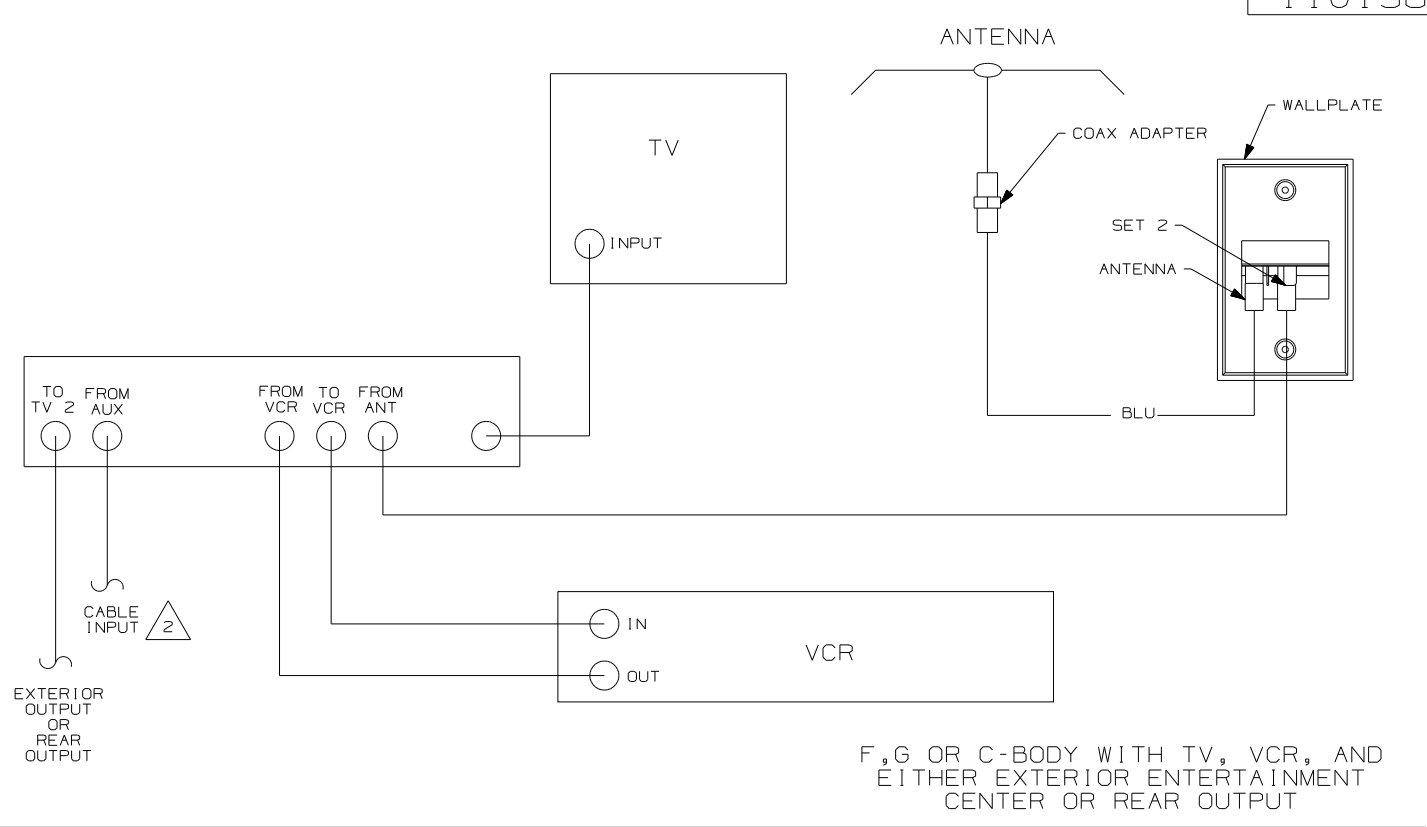
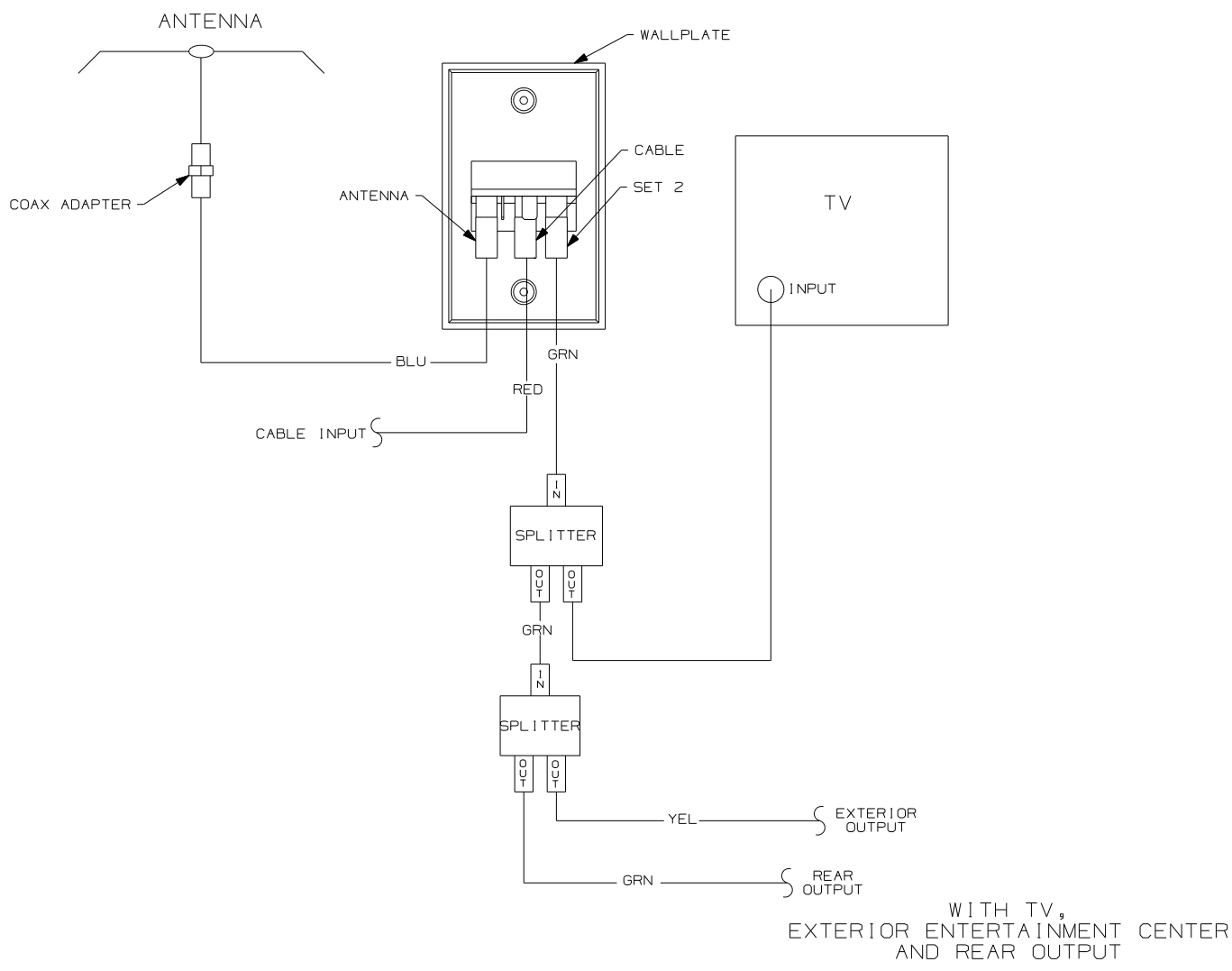


2 WITH SATELLITE DISH SEE SATELLITE DISH VIEW SHIT 2 BOTTOM LEFT.

1 COLOR INDICATES IDENTIFICATION TAPE.

NOTES:

|                               |            |   |   |
|-------------------------------|------------|---|---|
| <b>WINNEBAGO</b>              |            | COPYRIGHT 2002 WINNEBAGO INDUSTRIES, INC. |   |
| DFTR                          | ORIG. DATE | ALL DIMENSIONS ARE IN MILLIMETERS         |   |
| CHKR                          |            | FIRST USED                                |   |
| P.E.                          |            | 93 MOTORHAMES                             |   |
| M.E.                          |            | UNSPECIFIED TOLERANCES ARE:               |   |
| DSNR                          |            | MATERIAL:                                 |   |
|                               |            | WHOLE DIM (X)                             | : |
|                               |            | ONE-PLACE (X.X)                           | : |
|                               |            | TWO-PLACE (X.XX)                          | : |
|                               |            | ANGLE                                     | : |
|                               |            | THIRD ANGLE PROJECTION                    |   |
| DO NOT SCALE DRAWING          |            |   |   |
| TITLE: WIRING DIAGRAM-TV COAX |            |   |   |
| SHEET 1 OF 2                  | PART NO    | 110138                                    |   |
| REF:                          |            | 1 04/29/03                                |   |



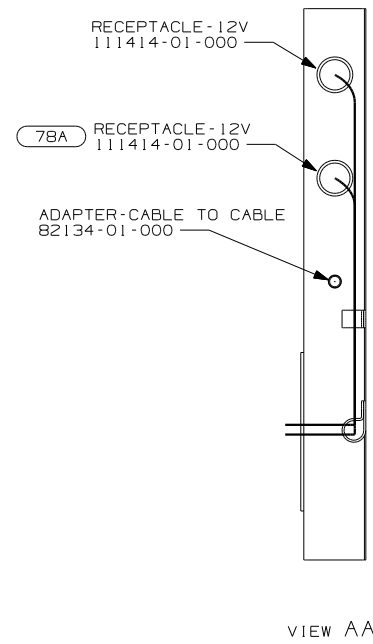
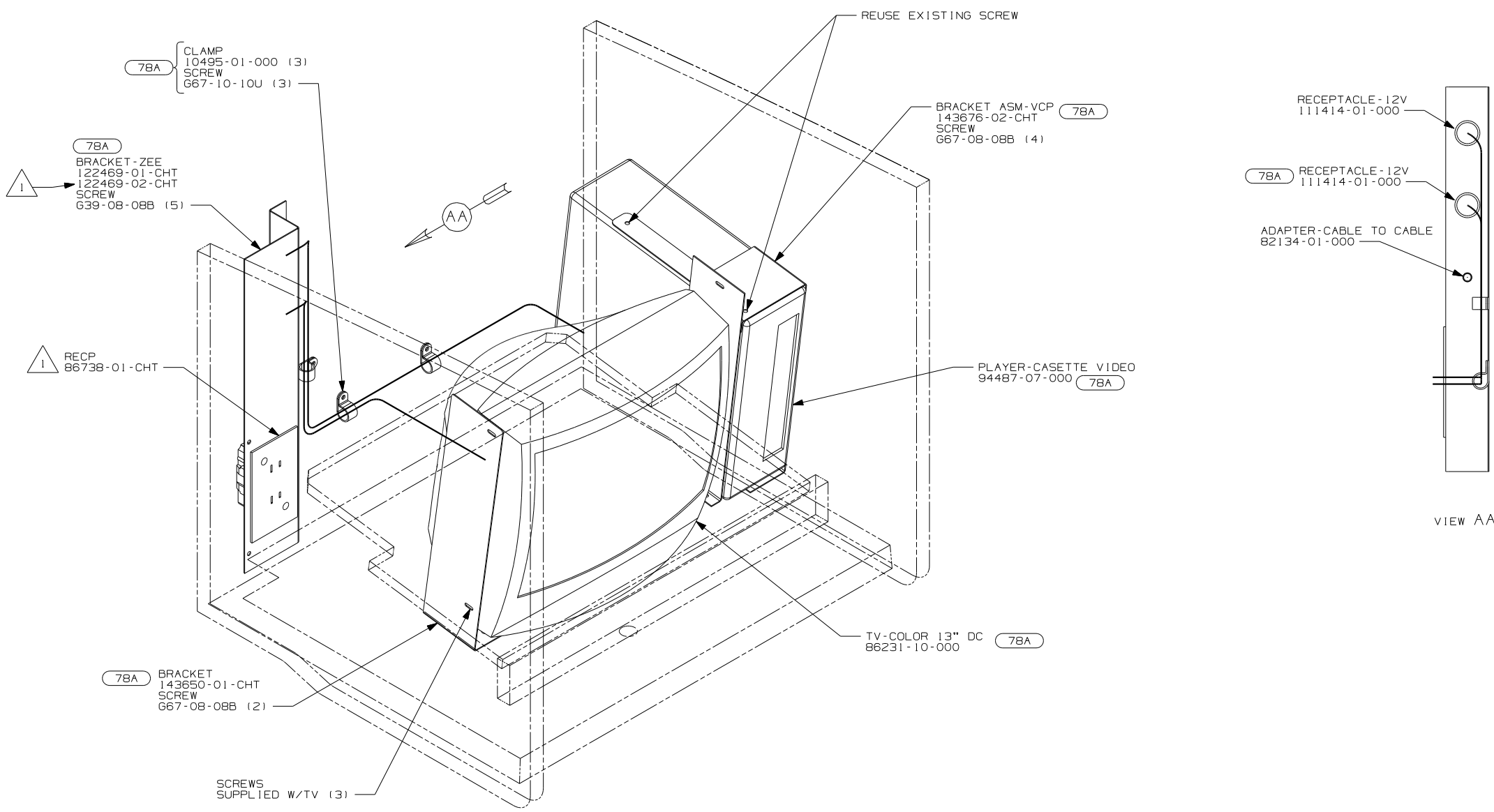
- NOTES:
- △ 2 WITH SATELLITE DISH SEE SATELLITE DISH VIEW BOTTOM LEFT.
  - △ 1 CONNECT TV COAX TO JACK ON FRONT OF WALLPLATE.

N,M OR P-SERIES WITH TV AND VCR OR F,G OR C-BODY WITH TV, VCR, EXTERIOR ENTERTAINMENT CENTER AND REAR OUTPUT

|                               |                |
|-------------------------------|----------------|
| FIRST USED                    |                |
| 93 MOTORHAMES                 |                |
| DO NOT SCALE DRAWING          |                |
| TITLE: WIRING DIAGRAM-TV COAX |                |
| SHEET 2                       | PART NO 110138 |

|             |       |
|-------------|-------|
| DRAWING NO. | SHEET |
| 145376-01   | 1,2   |
| 145376-02   | 3,4,5 |

|          |                 |        |           |
|----------|-----------------|--------|-----------|
| RELEASE  | REV DATE        | OWG NO | 145376    |
| REV ZONE | REVISION RECORD | DATE   | DFTR-ORIG |



EXCEPT 331C & 331T

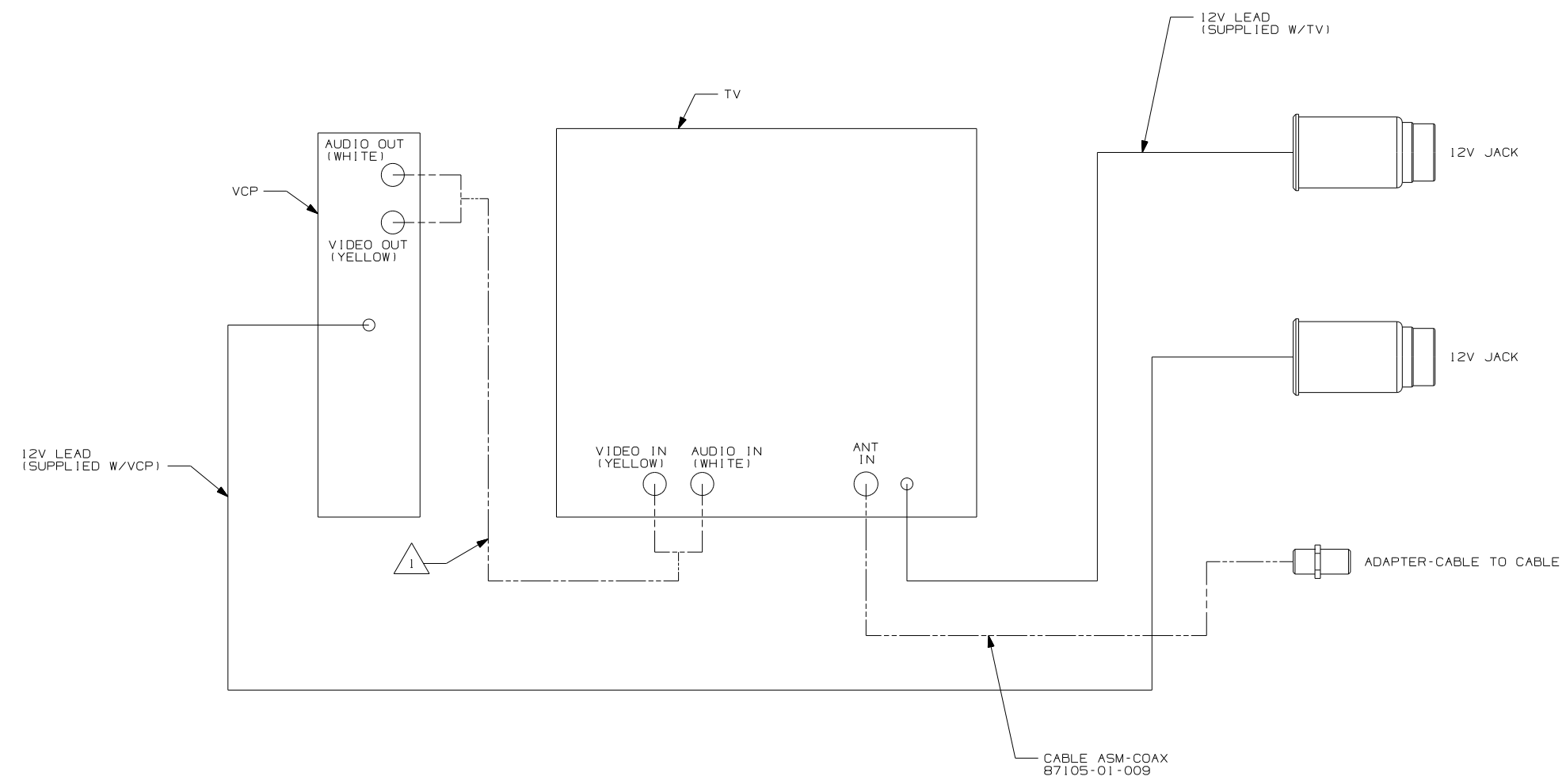
- 78A TV-13" W/VCP-12V
- 265 CODES/STANDARDS-CSA/CMVSS
- 1B1 CODES/STANDARDS-USA

|                                     |            |   |   |
|-------------------------------------|------------|---|---|
| <b>WINNEBAGO</b>                    |            | COPYRIGHT 2004<br>WINNEBAGO<br>INDUSTRIES, INC. |   |
| DFTR                                | ORIG. DATE | ALL DIMENSIONS ARE<br>IN MILLIMETERS            |   |
| CHKR                                |            | FIRST USED                                      |   |
| P.E.                                |            | 04 C-BODY                                       |   |
| M.E.                                |            | UNSPECIFIED TOLERANCES ARE:                     |   |
| DSNR                                |            | MATERIAL:                                       |   |
|                                     |            | WHOLE DIM (X)                                   | : |
|                                     |            | ONE-PLACE (X.X)                                 | : |
|                                     |            | TWO-PLACE (X.XX)                                | : |
|                                     |            | ANGLE   | : |
|                                     |            | THIRD ANGLE<br>PROJECTION                       | ⊕ |
| DO NOT SCALE DRAWING                |            |   |   |
| TITLE:<br>WIRING INSTL-TV/VCR, SIDE |            |   |   |
| SHEET 1 OF 5                        | PART NO    | 145376  |   |
| REF:141307-DI 1/22/2004             |            |   |   |

2. FOR CONNECTIONS, SEE SHEET 2.

1 NOT USED WITH 78A

NOTES:



NOTES:  
 1 CABLE SUPPLIED WITH VCP.

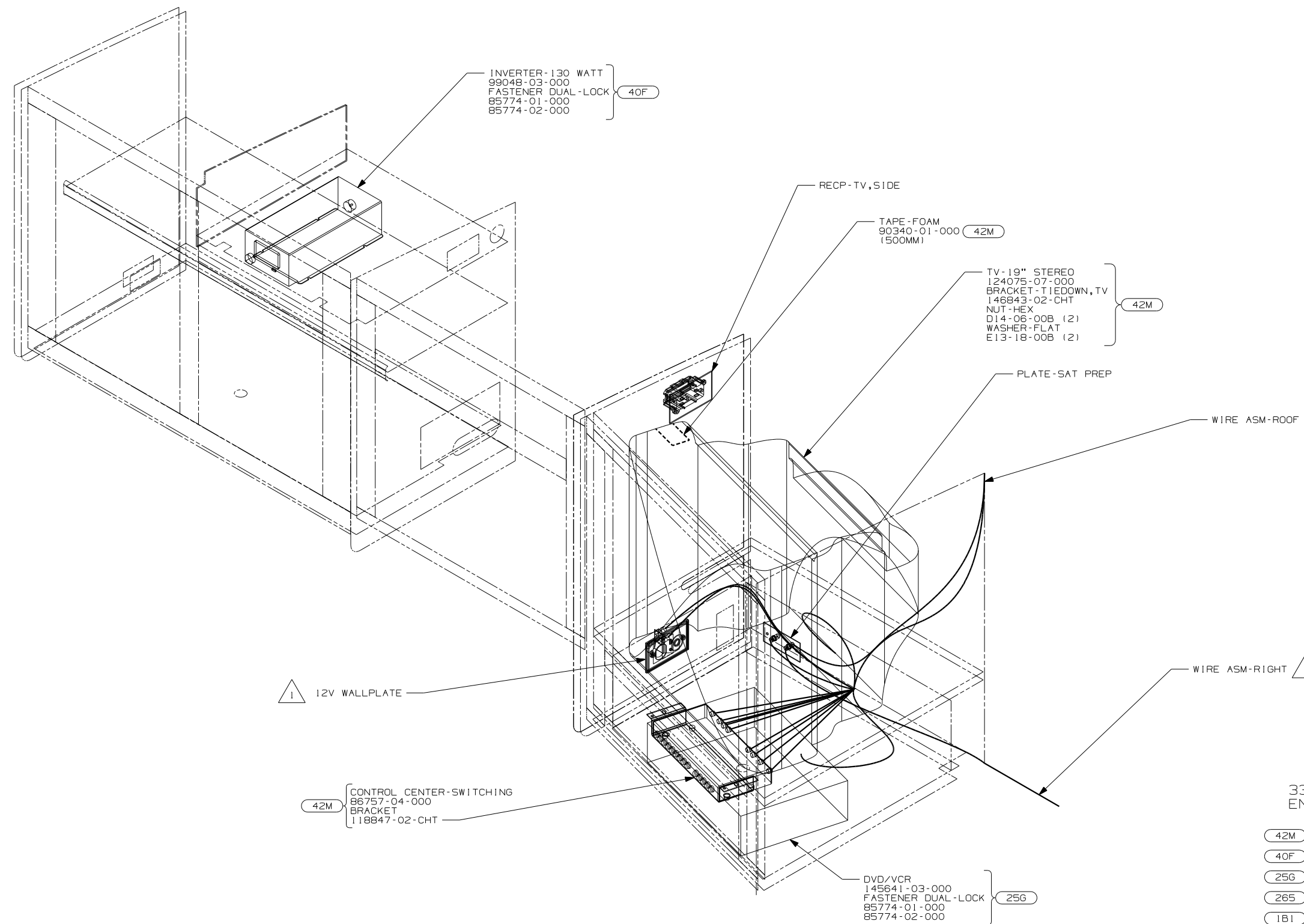
EXCEPT 331C & 331T

78A TV-13" W/VCP-12V  
 265 CODES/STANDARDS-CSA/CMVSS  
 1B1 CODES/STANDARDS-USA

1B1 265 78A

|                           |                      |
|---------------------------|----------------------|
| FIRST USED                | 04 C-BODY            |
| TITLE                     | DO NOT SCALE DRAWING |
| WIRING INSTL-TV/VCR, SIDE |                      |
| SHEET 2                   | PART NO 145376       |

1 1/22/2004



- 331C & 331T SIDE ENTERTAINMENT CENTER
- 42M TV-19" COLOR W/STEREO
  - 40F INVERTER-DC/AC-130 WATT
  - 25G DVD/VCR,STEREO,W/REMOTE
  - 265 CODES/STANDARDS-CSA/CMVSS
  - 1B1 CODES/STANDARDS-USA

|                           |                |
|---------------------------|----------------|
| FIRST USED                |                |
| 04 C-BODY                 |                |
| DO NOT SCALE DRAWING      |                |
| TITLE:                    |                |
| WIRING INSTL-TV/VCR, SIDE |                |
| SHEET 3                   | PART NO 145376 |

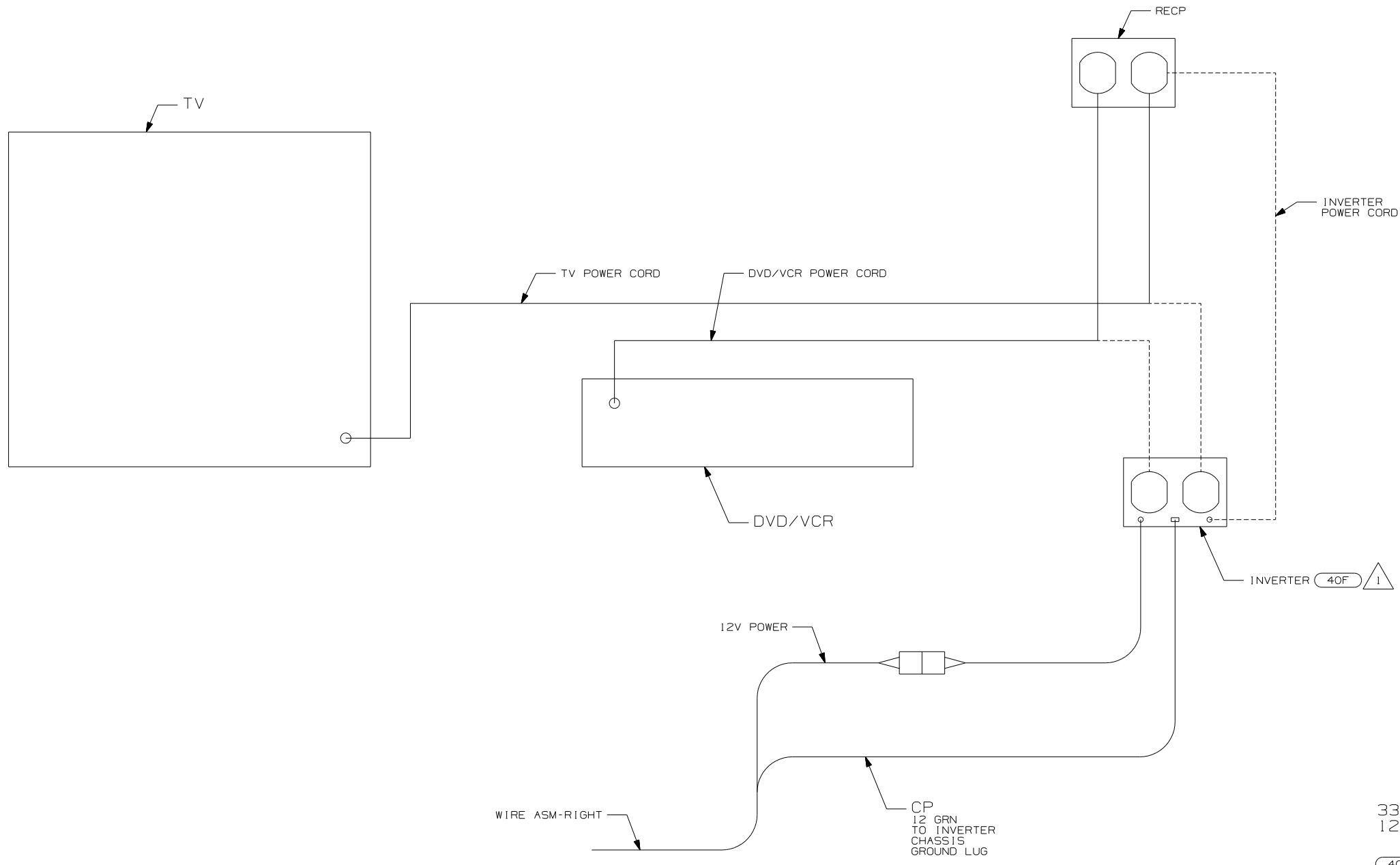
3. FOR COAX CONNECTIONS, SEE SHEET 5.

2. FOR 12V AND 110V CONNECTIONS, SEE SHEET 4.

1 CLAMP 83610-01-000, SCREW G39-08-12B.

NOTES:

Grid lines labeled 8, 7, 6, 5, 4, 3, 2, 1 from left to right and A, B, C, D from bottom to top.



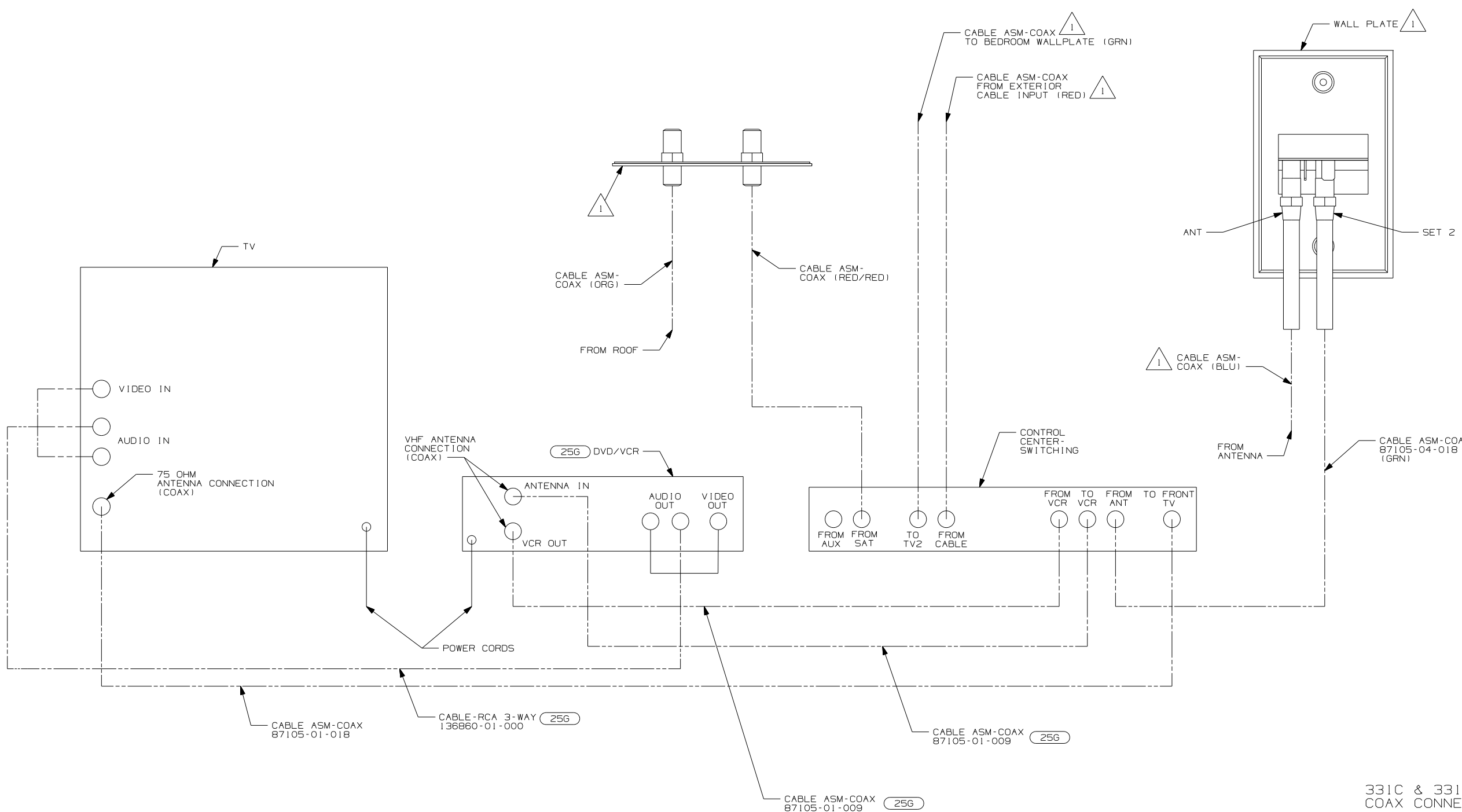
NOTES: WITH (40F), PLUG TV OR (TV AND VCR) INTO INVERTER. PLUG INVERTER INTO RECP-ENTERTAINMENT CTR.

331C & 331T  
12V AND 110V CONNECTIONS

- (40F) INVERTER-DC/AC-130 WATT
- (265) CODES/STANDARDS-CSA/CMVSS
- (1B1) CODES/STANDARDS-USA

(1B1) (265)

|                           |                |
|---------------------------|----------------|
| FIRST USED                |                |
| 04 C-BODY                 |                |
| DO NOT SCALE DRAWING      |                |
| TITLE:                    |                |
| WIRING INSTL-TV/VCR, SIDE |                |
| SHEET 4                   | PART NO 145376 |



331C & 331T  
COAX CONNECTIONS

- (42M) TV-19" COLOR W/STEREO
- (25G) DVD/VCR, STEREO, W/REMOTE
- (265) CODES/STANDARDS-CSA/CMVSS
- (1B1) CODES/STANDARDS-USA

(1B1) (265)

|                           |                      |
|---------------------------|----------------------|
| FIRST USED                | 04 C-BODY            |
| TITLE                     | DO NOT SCALE DRAWING |
| WIRING INSTL-TV/VCR, SIDE |                      |
| SHEET 5                   | PART NO 145376       |

NOTES: SEE WIRING INSTL-BODY FOR ADDITIONAL INFORMATION.

TERMINALS

| NO.   | PART NUMBER | DESCRIPTION   |
|-------|-------------|---|
| B-1   | 50003-01    | TERMINAL-PIN, 16-14 GA, .156 DIA                                      |
| B-2   | 50004-01    | TERMINAL-RECP, 16-14 GA, .156 DIA                                     |
| B-11  | 50003-02    | TERMINAL-PIN, 16-14 GA, .180 DIA                                      |
| B-12  | 50004-02    | TERMINAL-RECP, 16-14 GA, .180 DIA                                     |
| WP-1  | 106950-01   | TERMINAL-PIN, 16-14 GA  |
| WP-2  | 106950-02   | TERMINAL-PIN, 10-12 GA  |
| WP-3  | 106950-03   | TERMINAL-PIN, 8 GA  |
| R-1   | 35416-01    | TERMINAL-RING, #10 STD, 8 GA  |
| R-2   | 35416-02    | TERMINAL-RING, #10 STD, 6 GA  |
| R-3   | 35416-03    | TERMINAL-RING, #10 STD, 10-12 GA                                      |
| R-4   | 35416-04    | TERMINAL-RING, #10 STD, 14-16 GA                                      |
| R-5   | 37018-01    | TERMINAL-RING, 5/16 STD, 12-10 GA                                     |
| R-6   | 102777-01   | TERMINAL-RING, #6 STD, 14-16 GA                                       |
| R-7   | 102777-02   | TERMINAL-RING, #6 STD, 10-12 GA                                       |
| R-8   | 102777-03   | TERMINAL-RING, #6 STD, 8 GA   |
| R-9   | 33787-01    | TERMINAL-RING, #10 STD, 14 GA   |
| R-60  | 8325-01     | TERMINAL-RING, 1/4 STD, 14-16 GA                                      |
| R-61  | 8326-01     | TERMINAL-RING, 3/8 STD, 14-16 GA                                      |
| R-62  | 8327-01     | TERMINAL-RING, #10 STD, 14-16 GA                                      |
| R-63  | 8328-01     | TERMINAL-RING, #10 STD, 10-12 GA                                      |
| R-64  | 8328-02     | TERMINAL-RING, 3/8 STD, 10-12 GA                                      |
| R-65  | 8329-01     | TERMINAL-RING, 3/8 STD, 8 GA  |
| R-66  | 8331-01     | TERMINAL-RING, 3/8 STD, 4 GA  |
| R-67  | 8332-01     | TERMINAL-RING, 1/4 STD, 6 GA  |
| R-68  | 8332-02     | TERMINAL-RING, 1/4 STD, 10 GA   |
| R-69  | 8350-01     | TERMINAL-RING, 3/8 STD, 6 GA  |
| R-70  | 99275-02    | TERMINAL-RING, 7/16 STD, 8 GA   |
| R-71  | 101397-01   | TERMINAL-RING, #10 STD, 14-16 GA                                      |
| R-91  | 88791-01    | TERMINAL-RING, 3/8, 90°, 1/0 GA                                       |
| R-92  | 88791-02    | TERMINAL-RING, 3/8, 90°, 2 GA   |
| R-93  | 8348-01     | TERMINAL-RING, 3/8 STD, 2 GA  |
| R-94  | 99275-01    | TERMINAL-RING, 7/16 STD, 1/0 GA                                       |
| RF-51 | 7944-01     | TERMINAL-SPADE, 12-10 GA, #8 STUD                                     |
| RF-52 | 7945-01     | TERMINAL-SPADE, 18-14 GA, #8 STUD                                     |
| TR-1  | 47443-01    | TERMINAL-RECP, 16-14 GA, .25, INS                                     |
| TR-2  | 47443-02    | TERMINAL-RECP, 12-10 GA, .25, INS                                     |
| TR-3  | 47443-05    | TERMINAL-RECP, 22-18 GA, .25, INS                                     |
| TR-11 | 47443-03    | TERMINAL-RECP, 16-14 GA, .19, INS                                     |
| TR-12 | 47443-04    | TERMINAL-RECP, 16-14 GA, .11, INS                                     |
| TR-21 | 80015-01    | TERMINAL-RECP, 22-18 GA, .250, 90 DEG FOR USE WITH TAB THICKNESS .032 |
| TR-22 | 80015-02    | TERMINAL-RECP, 16-14 GA, .187, 90 DEG FOR USE WITH TAB THICKNESS .032 |
| TR-23 | 80015-03    | TERMINAL-RECP, 16-14 GA, .250, 90 DEG FOR USE WITH TAB THICKNESS .032 |
| TR-24 | 80015-04    | TERMINAL-RECP, 16-14 GA, .187, 90 DEG FOR USE WITH TAB THICKNESS .020 |
| TR-51 | 7940-01     | TERMINAL-RECP, 16-12 GA, .25, UNINS                                   |
| TR-52 | 23809-01    | TERMINAL-RECP, 16-14 GA, .19, UNINS                                   |
| TR-53 | 23809-02    | TERMINAL-RECP, 18-20 GA, .25, UNINS                                   |
| TR-54 | 49270-01    | TERMINAL-RECP, 18-20 GA, .19, UNINS                                   |
| TR-55 | 7940-02     | TERMINAL-RECP, 10 GA, .25, UNINS                                      |
| TT-1  | 85745-02    | TERMINAL-TAB, 16-14 GA, .25, INS                                      |
| TT-2  | 85745-03    | TERMINAL-TAB, 10-12 GA, .25, INS                                      |
| TT-11 | 85745-04    | TERMINAL-TAB, 18-22 GA, .19, INS                                      |
| TT-51 | 7942-01     | TERMINAL-TAB, 16-14 GA, .25, UNINS                                    |
| TT-52 | 7943-01     | TERMINAL-TAB, 14-10 GA, .25, UNINS                                    |
| MF6-1 | 129236-01   | TERMINAL-FEM, M/P, 630, 10-12   |
| MF6-2 | 129236-02   | TERMINAL-FEM, M/P, 630, 14-16   |

SPLICES

| NO.   | PART NUMBER | DESCRIPTION                         |
|-------|-------------|-------------------------------------|
| BS-1  | 31876-01    | SPLICE-BUTT, 16-14 GA, BLUE         |
| BS-2  | 31876-02    | SPLICE-BUTT, 12-10 GA, YELLOW       |
| BS-3  | 31876-03    | SPLICE-BUTT, 22-18 GA, RED          |
| BS-SB | 100070-01   | SPLICE-BUTT, 14-16 GA, SHRINK, BLUE |
| BS-RB | 112823-01   | SPLICE-BUTT, 14-22 GA, REDUCER      |
| S-1   | 7946-01     | SPLICE, 1-6 MM <sup>2</sup>         |
| S-2   | 23808-01    | SPLICE, 6-9 MM <sup>2</sup>         |
| 1-2   | 7956-02     | SHRINK WRAP .375 DIA                |
| 1-5   | 7956-05     | SHRINK WRAP .25 DIA                 |
| SH-1  | 58028-01    | SPLICE-HAT                          |
| S-10  | 101173-01   | SPLICE-BARREL, 26300 CMA            |

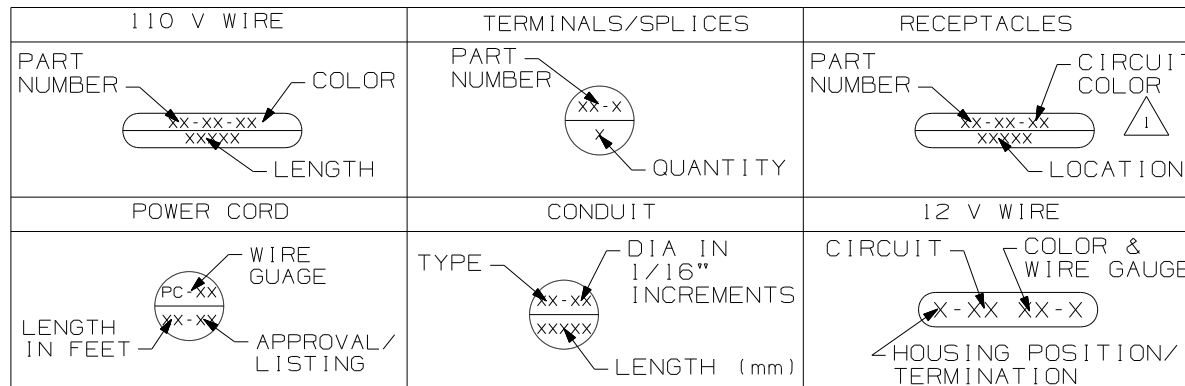
| NO.   | PART NUMBER   | DESCRIPTION   |
|-------|---|---|
| SP-1  | 90986-02  | PLUG ASM-ELECTRIC STEP  |
| SP-2  | 142524-01-000<br>098261-01-000<br>098262-07-000<br>098261-02-000 (3)<br>098262-01-000 (3) | HOUSING-4 PIN<br>SOCKET-CONNECTOR<br>SEAL-CONNECTOR<br>SOCKET-CONNECTOR<br>SEAL-CONNECTOR |
| HR-1  | 63910-01  | HOUSING-RELAY   |
| MP-8  | 125323-02   | HOUSING-PIN, 8 CAVITY   |
| MP-10 | 125323-01   | HOUSING-PIN, 10 CAVITY  |
| MPP   | 125324-01   | TERMINAL-MALE, M/P, 150   |
| CAV-1 | 125325-01   | SEAL-CAVITY, 150-SERIES M/P   |
| CON-3 | 98262-03  | SEAL-CONNECTOR  |
| LS-8  | 125323-03   | LOCK-SECONDARY 8 POSITION   |
| LS-10 | 125323-04   | LOCK-SECONDARY 10 POSITION  |
| H-8   | 108355-01   | HOUSING-SWITCH, 8 POSITION  |
| H-12  | 108355-02   | HOUSING-SWITCH, 12 POSITION   |

| NO.   | PART NUMBER   | DESCRIPTION   |
|-------|---|---|
| GEN-1 | 125323-02-000<br>125324-01-000 (4)<br>098262-03-000 (4)<br>125325-01-000 (4)<br>125323-03-000 | HOUSING-8 POSN, MALE, 150 SERIES<br>TERMINAL-MALE, M/P, 150<br>SEAL-CONNECTOR<br>SEAL-CAVITY, 150 SERIES M/P<br>LOCK-SECONDARY 8 POSITION   |
| GEN-2 | 125323-01-000<br>125324-01-000 (5)<br>098262-03-000 (5)<br>125325-01-000 (5)<br>125323-04-000 | HOUSING-10 POSN, MALE, 150 SERIES<br>TERMINAL-MALE, M/P, 150<br>SEAL-CONNECTOR<br>SEAL-CAVITY, 150 SERIES M/P<br>LOCK-SECONDARY 10 POSITION |

HOUSINGS AND TERMINALS

| NO.    | PART NUMBER | DESCRIPTION                       |
|--------|-------------|-----------------------------------|
| HS-2   | 88474-10    | HOUSING-SOCKET, 2 CAVITY          |
| HS-3   | 88474-09    | HOUSING-SOCKET, 3 CAVITY          |
| HS-4   | 88474-08    | HOUSING-SOCKET, 4 CAVITY          |
| HS-5   | 88474-07    | HOUSING-SOCKET, 5 CAVITY          |
| HS-6   | 88474-06    | HOUSING-SOCKET, 6 CAVITY          |
| HS-7   | 88474-05    | HOUSING-SOCKET, 6 CAVITY-IN LINE  |
| HS-9   | 88474-03    | HOUSING-SOCKET, 9 CAVITY          |
| HS-12  | 88474-01    | HOUSING-SOCKET, 12 CAVITY         |
| HS-15  | 88474-02    | HOUSING-SOCKET, 15 CAVITY         |
| HS-2-R | 88474-12    | HOUSING-SOCKET, 2 CAVITY-RED      |
| HP-2   | 88473-10    | HOUSING-PIN, 2 CAVITY             |
| HP-3   | 88473-09    | HOUSING-PIN, 3 CAVITY             |
| HP-4   | 88473-08    | HOUSING-PIN, 4 CAVITY             |
| HP-5   | 88473-07    | HOUSING-PIN, 5 CAVITY             |
| HP-6   | 88473-06    | HOUSING-PIN, 6 CAVITY             |
| HP-7   | 88473-05    | HOUSING-PIN, 6 CAVITY-IN LINE     |
| HP-8   | 88473-04    | HOUSING-PIN, 8 CAVITY-IN LINE     |
| HP-9   | 88473-03    | HOUSING-PIN, 9 CAVITY             |
| HP-12  | 88473-01    | HOUSING-PIN, 12 CAVITY            |
| HP-15  | 88473-02    | HOUSING-PIN, 15 CAVITY            |
| HP-2-R | 88473-15    | HOUSING-PIN, 2 CAVITY-RED         |
| HP-3-B | 88473-12    | HOUSING-PIN, 3 CAVITY-BLUE        |
| HP-3-G | 88473-13    | HOUSING-PIN, 3 CAVITY-GREEN       |
| HP-3-R | 88473-14    | HOUSING-PIN, 3 CAVITY-RED         |
| TS-1   | 88476-01    | SOCKET-CONNECTOR, 20-14 GA        |
| TS-2   | 88476-02    | SOCKET-CONNECTOR, 12-10 GA        |
| TP-1   | 88475-01    | PIN-CONNECTOR, 20-14 GA           |
| TP-2   | 88475-02    | PIN-CONNECTOR, 12-10 GA           |
| HS2HA  | 137208-01   | HOUSING-SOCKET, 2 CAVITY-HIGH AMP |
| HP2HA  | 137207-01   | HOUSING-PIN, 2 CAVITY-HIGH AMP    |
| TS-HA  | 137210-01   | SOCKET-CONNECTOR, 10AWG HIGH AMP  |
| TP-HA  | 137209-01   | PIN-CONNECTOR, 10AWG HIGH AMP     |
| H-HA   | 104100-01   | HOUSING, 1 CAVITY 75 AMP          |
| T-HA   | 104100-03   | TERMINAL 10 AWG - 6 AWG 75 AMP    |

BALLOON CALLOUT LEGEND



**WINNEBAGO** COPYRIGHT 2006 WINNEBAGO INDUSTRIES, INC.

|                             |                                   |
|-----------------------------|-----------------------------------|
| DFT                         | ORIG. DATE                        |
| CHKR                        | ALL DIMENSIONS ARE IN MILLIMETERS |
| P.E.                        | FIRST USED                        |
| M.E.                        | 96 MH'S                           |
| DSNR                        |                                   |
| UNSPECIFIED TOLERANCES ARE: | MATERIAL:                         |
| WHOLE DIM (X)               | :                                 |
| ONE-PLACE (X.X)             | :                                 |
| TWO-PLACE (X.XX)            | :                                 |
| ANGLE                       | :                                 |
| THIRD ANGLE PROJECTION      |                                   |

DO NOT SCALE DRAWING

TITLE: PART LISTING-ELECTRICAL

SHEET 1 OF 7 PART NO 121339 REV

1 FOR RECP-BLANK, DET-X DENOTES DETAIL VIEW. 2 CONTACT WIRE PREP PRIOR TO USING FOR TOOLING PURPOSES.

WIRE-SINGLE INS CONDUCTOR, STRANDED

| NO.            | PART NUMBER            | DESCRIPTION   |
|----------------|------------------------|---|
| 18-W<br>18-Y   | 156658-01<br>156658-02 | WIRE, 18 GA. WHITE, PVC<br>WIRE, 18 GA. YELLOW, PVC   |
| 16-Y<br>16-W   | 89360-01<br>89360-02   | WIRE, 16 GA. YELLOW, PVC<br>WIRE, 16 GA. WHITE, PVC   |
| 14-Y<br>14-W   | 48554-02<br>48554-04   | WIRE, 14 GA. YELLOW, PVC<br>WIRE, 14 GA. WHITE, PVC   |
| 12-Y<br>12-W   | 48555-02<br>48555-04   | WIRE, 12 GA. YELLOW, PVC<br>WIRE, 12 GA. WHITE, PVC   |
| 10-Y<br>10-W   | 8000-03<br>8000-05     | WIRE, 10 GA. YELLOW, PVC<br>WIRE, 10 GA. WHITE, PVC   |
| 8-B<br>8-G     | 8005-01<br>8005-03     | WIRE, 8 GA. BLACK, PVC<br>WIRE, 8 GA. GREEN, PVC      |
| 6-B<br>6-G     | 70065-01<br>70065-03   | WIRE, 6 GA. BLACK, PVC<br>WIRE, 6 GA. GREEN, PVC      |
| 18-WX<br>18-YX | 121015-01<br>121015-02 | WIRE, 18 GA. WHITE, XLPE<br>WIRE, 18 GA. YELLOW, XLPE |
| 16-YX<br>16-WX | 116675-01<br>116675-02 | WIRE, 16 GA. YELLOW, XLPE<br>WIRE, 16 GA. WHITE, XLPE |
| 14-YX<br>14-WX | 98586-01<br>98586-02   | WIRE, 14 GA. YELLOW, XLPE<br>WIRE, 14 GA. WHITE, XLPE |
| 12-YX<br>12-WX | 98609-01<br>98609-02   | WIRE, 12 GA. YELLOW, XLPE<br>WIRE, 12 GA. WHITE, XLPE |
| 10-YX<br>10-WX | 116676-03<br>116676-04 | WIRE, 10 GA. YELLOW, XLPE<br>WIRE, 10 GA. WHITE, XLPE |
| 8-BX<br>8-GX   | 116674-01<br>116674-02 | WIRE, 8 GA. BLACK, XLPE<br>WIRE, 8 GA. GREEN, XLPE    |
| 6-BX<br>6-GX   | 116687-01<br>116687-02 | WIRE, 6 GA. BLACK, XLPE<br>WIRE, 6 GA. GREEN, XLPE    |

RECEPTACLES

| NO.   | PART NUMBER   | DESCRIPTION                           |
|-------|---------------|---------------------------------------|
| RCP-1 | 86738-02-CHT  | RECEPTACLE-SINGLE, FLUSH MOUNT        |
| RCP-2 | 86738-01-CHT  | RECEPTACLE-DOUBLE, FLUSH MOUNT        |
| RCP-3 | 58707-01-000  | RECEPTACLE-SINGLE, SURFACE MOUNT      |
| RCP-4 | 157360-01-000 | RECEPTACLE-SINGLE, SURFACE MOUNT, 20A |
| RCP-5 | 160984-01-CHT | RECEPTACLE-SINGLE, FLUSH MOUNT, 20A   |
| RCP-B | 58707-02-000  | RECEPTACLE-BLANK, JUNCTION            |
| RCP-E | 131826-01-CHT | INCLUDES COVER & GASKET               |

WIRE-NM SHEATHED CABLE

| NO.     | PART NUMBER   | DESCRIPTION                    |
|---------|---------------|--------------------------------|
| 14 UL   | 8027-01-000   | WIRE 14-2 ROMEX W/GROUND (UL)  |
| 14 CA   | 8023-02-000   | WIRE 14-2 ROMEX W/GROUND (CAN) |
| 12 UL   | 8026-01-000   | WIRE 12-2 ROMEX W/GROUND (UL)  |
| 12 CA   | 8023-01-000   | WIRE 12-2 ROMEX W/GROUND (CAN) |
| 12-3 UL | 8026-03-000   | WIRE 12-3 ROMEX W/GROUND (UL)  |
| 12-3 CA | 8023-03-000   | WIRE 12-3 ROMEX W/GROUND (CAN) |
| 10 UL   | 8022-01-000   | WIRE 10-2 ROMEX W/GROUND (UL)  |
| 10 CA   | 24743-01-000  | WIRE 10-2 ROMEX W/GROUND (CAN) |
| 6-3 UL  | 108914-01-000 | WIRE 6-3 ROMEX W/GROUND (UL)   |
| 6-3 CA  | 113136-01-000 | WIRE 6-3 ROMEX W/GROUND (CAN)  |
| 6-2 UL  | 108914-02-000 | WIRE 6-2 ROMEX W/GROUND (UL)   |
| 4-3 UL  | 128375-01-000 | WIRE 4-3 ROMEX W/GROUND (UL)   |
| 4-3 CA  | 128375-01-000 | WIRE 4-3 ROMEX W/GROUND (CAN)  |

POWER CORDS

| NO.            | PART NUMBER   | DESCRIPTION  |
|----------------|---------------|--|
| PC-10<br>28    | 8054-01-000   | POWER CORD 10 GA, 30 AMP, 28 FT. (UL/CA)           |
| PC-10<br>35    | 8054-02-000   | POWER CORD 10 GA, 30 AMP, 35 FT. (UL/CA)           |
| PC-10<br>30-CA | 8052-01-000   | SUPERCEDED BY 8054-01-000                          |
| PC-6<br>36     | 108934-01-000 | POWER CORD 6 GA, 50 AMP, 36 FT. (UL/CA)            |
| PC-6<br>36-FX  | 108934-02-000 | POWER CORD 6 GA, 50 AMP, 36 FT. (UL/CSA) SUPERFLEX |
| PC-6<br>36-CA  | 113096-01-000 | SUPERCEDED BY 108934-02-000                        |

CIRCUIT COLOR LEGEND

| 110V CIRCUIT               | WIRE COLOR | COAXIAL CIRCUIT          |
|----------------------------|------------|--------------------------|
| A/C CIRCUIT 1              | RED        | CABLE INPUT W/O SPLITTER |
| A/C CIRCUIT 2              | GRN        | REAR TV W/O SPLITTER     |
| GENERAL RECPS 1            | BLU        | ANTENNA                  |
| GENERAL RECPS 2            | BRN        | FRONT TV                 |
| GENERAL RECPS 3            | PUR        | VCR INPUT                |
| GENERAL RECPS 4            | GRY        |                          |
| REFRIGERATOR/<br>CONVERTER | YEL        | EXT ENT CTR              |
| MICROWAVE                  | BLK        | AUX INPUT                |
| WATER HEATER               | WHT        |                          |
| WASHER/DRYER               | GLD        |                          |
| DISHWASHER                 | SIL        |                          |
|                            | ORG        | SATELLITE PLATE INPUT    |
|                            | ORG/ORG    | SATELLITE PLATE OUTPUT   |
|                            | RED/RED    | CABLE INPUT W/SPLITTER   |
|                            | GRN/GRN    | REAR TV W/SPLITTER       |
|                            | PUR/PUR    | VCR OUTPUT               |

CONDUIT


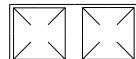
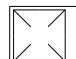
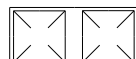
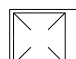

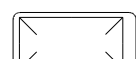
| NO.   | PART NUMBER  | DESCRIPTION                         | TEMP.  |
|-------|--------------|-------------------------------------|--------|
| C-4   | 41953-07-000 | CONDUIT-CONVOLUTE, SLIT .25" ID     | 194° F |
| C-6   | 41953-06-000 | CONDUIT-CONVOLUTE, SLIT .38" ID     | 194° F |
| C-8   | 41953-01-000 | CONDUIT-CONVOLUTE, SLIT .50" ID     | 194° F |
| C-10  | 41953-02-000 | CONDUIT-CONVOLUTE, SLIT .63" ID     | 194° F |
| C-16  | 41953-03-000 | CONDUIT-CONVOLUTE, SLIT 1.0" ID     | 194° F |
| C-24  | 41953-08-000 | CONDUIT-CONVOLUTE, SLIT 1.5" ID     | 194° F |
| C-32  | 41953-15-000 | CONDUIT-CONVOLUTE, SLIT 2.0" ID     | 194° F |
| CX-8  | 41953-09-000 | CONDUIT-CONVOLUTE, SLIT .50" ID     | 239° F |
| CX-12 | 41953-10-000 | CONDUIT-CONVOLUTE, SLIT .75" ID     | 239° F |
| CX-16 | 41953-11-000 | CONDUIT-CONVOLUTE, SLIT 1.0" ID     | 239° F |
| CX-20 | 41953-13-000 | CONDUIT-CONVOLUTE, SLIT 1.25" ID    | 239° F |
| CX-24 | 41953-14-000 | CONDUIT-CONVOLUTE, SLIT 1.50" ID    | 239° F |
| CX-32 | 41953-16-000 | CONDUIT-CONVOLUTE, SLIT 2.0" ID     | 239° F |
| CN-10 | 41953-05-000 | CONDUIT-CONVOLUTE, NOT SLIT .63" ID | 194° F |
| CN-16 | 41953-12-000 | CONDUIT-CONVOLUTE, NOT SLIT 1.0" ID | 194° F |

BATTERY CABLE LEGEND



| COLOR  | DESCRIPTION                 |
|--------|-----------------------------|
| PURPLE | CHASSIS BATTERY TO SOLENOID |
| BLUE   | HYDRAULIC JACKS PUMP        |
| RED    | BATTERY TO STARTER          |
| GREEN  | BATTERY TO GENERATOR        |
| YELLOW | COACH BATTERY TO SOLENOID   |

|            |                         |
|------------|-------------------------|
| FIRST USED | 96 MH'S                 |
| TITLE      | DO NOT SCALE DRAWING    |
| TITLE      | PART LISTING-ELECTRICAL |
| SHEET 2    | PART NO 121339 REV      |


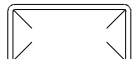

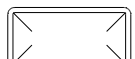

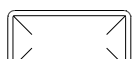
LAMP ASM-PACKAGE, PANCAKE

| NO    | PART NUMBER  | DESCRIPTION  |
|-------|--|--|
| LF1-1 | LAMP<br>98024-01-CHT<br>SCREW<br>G11-08-16U (4)<br>CONNECTOR<br>58028-01-000 (2) | LAMP ASM, FROSTED LENS,<br>1 BULB W/SWITCH<br>PROGRESSIVE DYNAMICS INC.<br>            |
| LF2-1 | LAMP<br>98024-03-CHT<br>SCREW<br>G11-08-16U (6)<br>CONNECTOR<br>58028-01-000 (2) | LAMP ASM, FROSTED LENS,<br>2 BULB W/SWITCH<br>PROGRESSIVE DYNAMICS INC.<br>            |
| LO1-1 | LAMP<br>98024-05-CHT<br>SCREW<br>G11-08-16U (4)<br>CONNECTOR<br>58028-01-000 (2) | LAMP ASM, OPTI CLEAR LENS,<br>1 BULB W/SWITCH<br>PROGRESSIVE DYNAMICS INC.<br>         |
| LO2-1 | LAMP<br>98024-06-CHT<br>SCREW<br>G11-08-16U (6)<br>CONNECTOR<br>58028-01-000 (2) | LAMP ASM, OPTI CLEAR LENS,<br>2 BULB W/SWITCH<br>PROGRESSIVE DYNAMICS INC.<br>         |
| LF1N1 | LAMP<br>98024-07-CHT<br>SCREW<br>G11-08-16U (4)<br>CONNECTOR<br>58028-01-000 (2) | LAMP ASM, FROSTED LENS,<br>1 BULB W/O SWITCH<br>PROGRESSIVE DYNAMICS INC.<br>          |
| LF2N1 | LAMP<br>98024-08-CHT<br>SCREW<br>G11-08-16U (6)<br>CONNECTOR<br>58028-01-000 (2) | LAMP ASM, FROSTED LENS,<br>2 BULB W/O SWITCH<br>PROGRESSIVE DYNAMICS INC.<br>        |
| LFSN1 | LAMP<br>98024-09-CHT<br>SCREW<br>G11-08-16U (6)<br>CONNECTOR<br>58028-01-000 (2) | LAMP ASM, SINGLE FROSTED LENS,<br>2 BULB W/O SWITCH<br>PROGRESSIVE DYNAMICS INC.<br> |

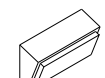


LAMP ASM-PACKAGE, HALOGEN

| NO    | PART NUMBER  | DESCRIPTION   |
|-------|--|---|
| HAL   | LAMP<br>123775-01-CHT<br>SCREW<br>(SUPPLIED)<br>CONNECTOR<br>58028-01-000 (2)                                | LAMP ASM-HALOGEN, READING<br>1 BULB<br>                     |
| HAL-S | LAMP<br>123775-01-CHT<br>SPACER<br>123775-02-CHT<br>SCREW<br>G13-06-16U (3)<br>CONNECTOR<br>58028-01-000 (2) | LAMP ASM-HALOGEN, READING<br>WITH 3/4" SPACER<br>1 BULB<br> |

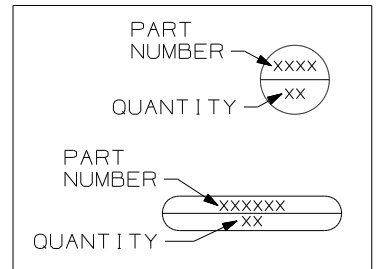
LAMP ASM-PACKAGE, PANCAKE

| NO    | PART NUMBER   | DESCRIPTION   |
|-------|---|---|
| LF1-2 | LAMP<br>137417-01-CHT<br>SCREW<br>G11-08-16U (4)<br>CONNECTOR<br>58028-01-000 (2) | LAMP ASM, FROSTED LENS,<br>1 BULB W/SWITCH<br>PROGRESSIVE DYNAMICS INC.<br>            |
| LF2-2 | LAMP<br>137417-04-CHT<br>SCREW<br>G11-08-16U (6)<br>CONNECTOR<br>58028-01-000 (2) | LAMP ASM, FROSTED LENS,<br>2 BULB W/SWITCH<br>PROGRESSIVE DYNAMICS INC.<br>            |
| LO1-2 | LAMP<br>137417-02-CHT<br>SCREW<br>G11-08-16U (4)<br>CONNECTOR<br>58028-01-000 (2) | LAMP ASM, OPTI CLEAR LENS,<br>1 BULB W/SWITCH<br>PROGRESSIVE DYNAMICS INC.<br>         |
| LO2-2 | LAMP<br>137417-05-CHT<br>SCREW<br>G11-08-16U (6)<br>CONNECTOR<br>58028-01-000 (2) | LAMP ASM, OPTI CLEAR LENS,<br>2 BULB W/SWITCH<br>PROGRESSIVE DYNAMICS INC.<br>         |
| LF1N2 | LAMP<br>137417-03-CHT<br>SCREW<br>G11-08-16U (4)<br>CONNECTOR<br>58028-01-000 (2) | LAMP ASM, FROSTED LENS,<br>1 BULB W/O SWITCH<br>PROGRESSIVE DYNAMICS INC.<br>          |
| LFSN2 | LAMP<br>137417-06-CHT<br>SCREW<br>G11-08-16U (6)<br>CONNECTOR<br>58028-01-000 (2) | LAMP ASM, SINGLE FROSTED LENS,<br>2 BULB W/O SWITCH<br>PROGRESSIVE DYNAMICS INC.<br> |

LAMP ASM-PACKAGE, PORCH

| NO       | PART NUMBER  | DESCRIPTION   |
|----------|--|---|
| LEXT-1   | LAMP<br>97917-01-CHT<br>SCREW<br>G67-10-129 (4)<br>CONNECTOR<br>58028-01-000 (2) | LAMP ASM-PORCH,<br>SURFACE MOUNT<br>BARGMAN<br>      |
| LEXT-2UL | LAMP<br>8089-01-000<br>SCREW<br>G68-06-10E (2)<br>CONNECTOR<br>58028-01-000 (2)  | LAMP ASM-PORCH,<br>RECESSED UL LIST<br>JRV PROD<br>  |
| LEXT-2CA | LAMP<br>8089-02-000<br>SCREW<br>G68-06-10E (2)<br>CONNECTOR<br>58028-01-000 (2)  | LAMP ASM-PORCH,<br>RECESSED CAN LIST<br>JRV PROD<br> |

LEGEND

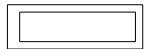
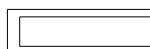

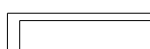
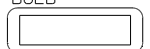

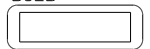
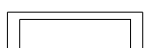

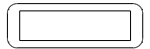


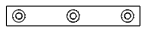

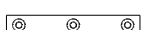
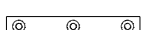
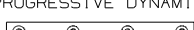

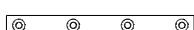

|            |                         |
|------------|-------------------------|
| FIRST USED | 96 MH'S                 |
| TITLE      | DO NOT SCALE DRAWING    |
|            | PART LISTING-ELECTRICAL |
| SHEET 3    | PART NO 121339 REV      |




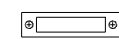
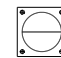
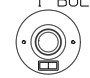

LAMP ASM-PACKAGE, FLUORESCENT

LAMP ASM-PACKAGE, MAKEUP LAMP

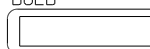

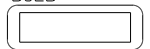
LAMP ASM-PACKAGE, OTHER

| NO    | PART NUMBER   | DESCRIPTION  |
|-------|---|--|
| FLU-1 | LAMP<br>91936-02-CHT<br>SCREW<br>G11-08-12U (4)<br>CONNECTOR<br>58028-01-000 (2)  | LAMP ASM-FLUORESCENT 12"<br>2 BULB W/SWITCH<br>THIN-LITE<br>  |
| FLU-2 | LAMP<br>91936-01-CHT<br>SCREW<br>G11-08-12U (4)<br>CONNECTOR<br>58028-01-000 (2)  | LAMP ASM-FLUORESCENT 18"<br>2 BULB W/SWITCH<br>THIN-LITE<br>  |
| FLU-3 | LAMP<br>127327-01-CHT<br>SCREW<br>G11-08-12U (2)<br>CONNECTOR<br>58028-01-000 (2) | LAMP ASM-FLUORESCENT 18"<br>1-12" BULB W/SWITCH<br>THIN-LITE<br>  |
| FLU-4 | LAMP<br>130338-01-CHT<br>SCREW<br>G11-08-12U (4)<br>CONNECTOR<br>58028-01-000 (2) | LAMP ASM-FLUORESCENT 18"<br>2 BULB SURFACE MOUNT<br>W/SWITCH THIN-LITE<br>                              |
| FLU-5 | LAMP<br>153464-02-CHT<br>SCREW<br>G11-08-12U (4)<br>CONNECTOR<br>58028-01-000 (2) | LAMP ASM-FLUORESCENT 12"<br>2 BULB W/SWITCH<br>COOL WHITE BULB<br>THIN-LITE<br><br>CUTOUT-122 X 336     |
| FLU-6 | LAMP<br>130338-02-CHT<br>SCREW<br>G11-08-12U (4)<br>CONNECTOR<br>58028-01-000 (2) | LAMP ASM-FLUORESCENT 18"<br>2 BULB SURFACE MOUNT<br>WARM WHITE BULB<br>W/SWITCH THIN-LITE<br>           |
| FLU-7 | LAMP<br>153464-05-CHT<br>SCREW<br>G11-08-12U (4)<br>CONNECTOR<br>58028-01-000 (2) | LAMP ASM-FLUORESCENT 12"<br>2 BULB W/SWITCH<br>WARM WHITE BULB<br>THIN-LITE<br><br>CUTOUT-122 X 336     |
| FLUN1 | LAMP<br>91936-04-CHT<br>SCREW<br>G11-08-12U (4)<br>CONNECTOR<br>58028-01-000 (2)  | LAMP ASM-FLUORESCENT 12"<br>2 BULB W/O SWITCH<br>THIN-LITE<br>  |
| FLUN2 | LAMP<br>91936-03-CHT<br>SCREW<br>G11-08-12U (4)<br>CONNECTOR<br>58028-01-000 (2)  | LAMP ASM-FLUORESCENT 18"<br>2 BULB W/O SWITCH<br>THIN-LITE<br>  |
| FLUN3 | LAMP<br>153464-01-CHT<br>SCREW<br>G11-08-12U (4)<br>CONNECTOR<br>58028-01-000 (2) | LAMP ASM-FLUORESCENT 12"<br>2 BULB W/O SWITCH<br>COOL WHITE BULB<br>THIN-LITE<br><br>CUTOUT-122 X 336 |

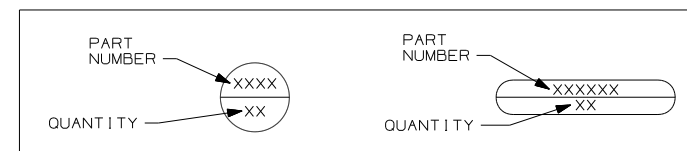
| NO     | PART NUMBER  | DESCRIPTION   |
|--------|--|---|
| LMU3-1 | LAMP<br>110235-01-CHT<br>SCREW W/SPACER<br>(SUPPLIED)<br>CONNECTOR<br>58028-01-000 (2)                         | LAMP ASM-MAKEUP<br>(W/O MIRROR)<br>3 BULB (SUPPLIED)<br>PROGRESSIVE DYNAMICS<br> |
| LMM3-2 | LAMP<br>123774-03-CHT<br>SCREW<br>(SUPPLIED)<br>BULB<br>123918-01-000 (3)<br>CONNECTOR<br>58028-01-000 (2)     | LAMP ASM-MAKEUP<br>(W/MIRROR)<br>3 BULB<br>GUSTOFSON<br>                         |
| LMU3-2 | LAMP<br>138116-01-CHT<br>SCREW<br>(SUPPLIED)<br>BULB<br>123918-01-000 (3)<br>CONNECTOR<br>58028-01-000 (2)     | LAMP ASM-MAKEUP<br>(W/O MIRROR)<br>3 BULB<br>GUSTOFSON<br>                       |
| LMU3-3 | LAMP<br>162446-01-CHT<br>SCREW<br>(SUPPLIED)<br>BULB<br>123918-01-000 (3)<br>CONNECTOR<br>58028-01-000 (2)     | LAMP ASM-MAKEUP<br>(W/O MIRROR)<br>3 BULB<br>GUSTOFSON<br>                       |
| LMU4-1 | LAMP<br>110235-02-CHT<br>SCREW<br>G11-08-16U (2)<br>CONNECTOR<br>58028-01-000 (2)                              | LAMP ASM-MAKEUP<br>(W/O MIRROR)<br>4 BULB<br>PROGRESSIVE DYNAMICS<br>            |
| LMU4-2 | LAMP<br>138116-02-CHT<br>SCREW<br>(SUPPLIED)<br>BULB<br>123918-01-000 (4)<br>CONNECTOR<br>58028-01-000 (2)     | LAMP ASM-MAKEUP<br>(W/O MIRROR)<br>4 BULB<br>GUSTOFSON<br>                       |
| LMU4-3 | LAMP<br>162446-02-CHT<br>SCREW<br>(SUPPLIED)<br>BULB<br>123918-01-000 (4)<br>CONNECTOR<br>58028-01-000 (2)     | LAMP ASM-MAKEUP<br>(W/O MIRROR)<br>4 BULB<br>GUSTOFSON<br>                     |
| LMM4-2 | LAMP<br>123774-01-CHT<br>SCREW<br>G11-08-16U (2)<br>BULB<br>123918-01-000 (4)<br>CONNECTOR<br>58028-01-000 (2) | LAMP ASM-MAKEUP<br>(W/MIRROR)<br>4 BULB<br>GUSTOFSON<br>                       |

| NO     | PART NUMBER  | DESCRIPTION  |
|--------|--|--|
| LSH-1  | LAMP<br>121935-01-CHT<br>SCREW<br>G11-08-16U (4)<br>CONNECTOR<br>58028-01-000 (2)  | LAMP ASM-SHOWER<br>PROGRESSIVE DYNAMICS INC.<br>    |
| LSH-2  | LAMP<br>164039-01-CHT<br>SCREW<br>G11-08-16U (3)<br>CONNECTOR<br>58028-01-000 (2)  | LIGHT-DOME, SHOWER<br>                              |
| LSH-3  | LAMP<br>164040-01-CHT<br>SCREW<br>G13-07-12U (3)<br>CONNECTOR<br>58028-01-000 (2)  | LIGHT-DOME, SHOWER GLASS<br>                        |
| LCR-1  | LAMP<br>61424-01-000<br>SCREW<br>G11-08-12U (4)<br>CONNECTOR<br>58028-01-000 (2)   | LAMP ASM-COURTESY, AISLE<br>RAMCO (RECTANGULAR)<br> |
| LCS-1  | LAMP<br>108354-01-CHT<br>SCREW<br>G11-08-12U (4)<br>CONNECTOR<br>58028-01-000 (2)  | LAMP ASM-COURTESY, AISLE<br>ITC MARINE (SQUARE)<br> |
| READ-1 | LIGHT-READING<br>132427-01-CHT<br>SCREW<br>SUPPLIED W/ LIGHT<br>CLIP-U<br>141395-02-CHT (2)<br>CONNECTOR<br>58028-01-000 (2) | LIGHT-READING, SWIVEL, ROUND<br>1 BULB<br>          |
| READ-2 | LIGHT-READING<br>128786-02-CHT<br>SCREW<br>G11-08-16J (2)<br>BULB<br>123917-01-000<br>CONNECTOR<br>58028-01-000 (2)          | LIGHT, READING, SWIVEL<br>                          |

LAMP ASM-PACKAGE, FLUORESCENT

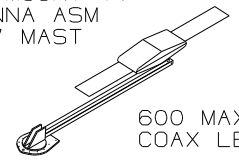
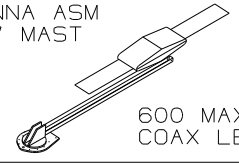
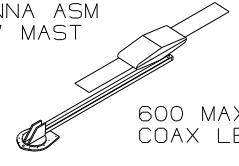
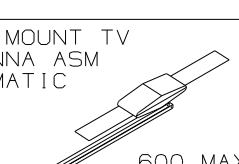
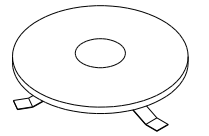
| NO    | PART NUMBER   | DESCRIPTION  |
|-------|---|--|
| FLUN4 | LAMP<br>153464-03-CHT<br>SCREW<br>G11-08-12U (6)<br>CONNECTOR<br>58028-01-000 (2) | LAMP ASM-FLUORESCENT 18"<br>2 BULB W/O SWITCH<br>COOL WHITE BULB<br>THIN-LITE<br><br>CUTOUT-122 X 480 |
| FLUN5 | LAMP<br>153464-06-CHT<br>SCREW<br>G11-08-12U (6)<br>CONNECTOR<br>58028-01-000 (2) | LAMP ASM-FLUORESCENT 18"<br>2 BULB W/O SWITCH<br>WARM WHITE BULB<br>THIN-LITE<br><br>CUTOUT-122 X 480 |
| FLUN6 | LAMP<br>153464-04-CHT<br>SCREW<br>G11-08-12U (6)<br>CONNECTOR<br>58028-01-000 (2) | LAMP ASM-FLUORESCENT 12"<br>2 BULB W/O SWITCH<br>WARM WHITE BULB<br>THIN-LITE<br><br>CUTOUT-122 X 336 |

LEGEND

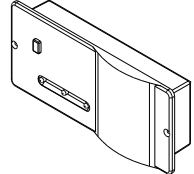


|                                   |                    |
|-----------------------------------|--------------------|
| FIRST USED                        | 96 MH'S            |
| DO NOT SCALE DRAWING              |                    |
| TITLE:<br>PART LISTING-ELECTRICAL |                    |
| SHEET 4                           | PART NO 121339 REV |

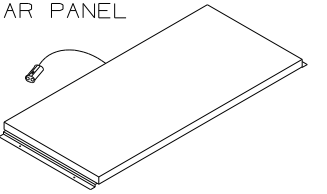
ANTENNA ASM-PACKAGE

| NO     | PART NUMBER   | DESCRIPTION  |
|--------|---|--|
| ANT-1  | ANTENNA<br>76319-24-000<br>HARDWARE-INTERIOR<br>76319-25-000<br>BUMPER<br>69726-02-000 (2)<br>CLIP<br>80734-02-000  | ROOF MOUNT TV<br>ANTENNA ASM<br>25.5" MAST<br><br>600 MAX<br>COAX LENGTH                  |
| ANT-2  | ANTENNA<br>76319-23-000<br>HARDWARE-INTERIOR<br>76319-25-000<br>BUMPER<br>69726-02-000 (2)<br>ADAPTER<br>SUPPLIED W/ANTENNA   | ROOF MOUNT TV<br>ANTENNA ASM<br>44.5" MAST<br><br>600 MAX<br>COAX LENGTH                  |
| ANT-2W | ANTENNA<br>76319-23-000<br>HARDWARE-INTERIOR<br>76319-25-000<br>BUMPER<br>69726-02-000 (2)<br>ADAPTER<br>SUPPLIED W/ANTENNA<br>WEDGE<br>76319-26-000                                  | ROOF MOUNT TV<br>ANTENNA ASM<br>44.5" MAST<br><br>600 MAX<br>COAX LENGTH                  |
| ANTA-1 | ANTENNA<br>158270-01-CHT<br>BUMPER<br>69726-02-000 (2)<br>ADAPTER<br>SUPPLIED W/ANTENNA   | ROOF MOUNT TV<br>ANTENNA ASM<br>AUTOMATIC<br><br>600 MAX<br>COAX LENGTH                   |
| ANT-3  | ANTENNA-TV ROOF<br>MNT,ROUND<br>132935-01-000<br>PLATE-ROOF,<br>CABLE ENTRY<br>146488-01-000<br>SCREW<br>G67-10-129 (10)<br>CABLE ASM-COAX<br>87105-01-006<br>ADAPTER<br>82134-01-000 | ROOF MOUNT OMNI-<br>DIRECTIONAL ANTENNA<br>MOUNTING SCREWS SUPPLIED<br>WITH ANTENNA<br> |

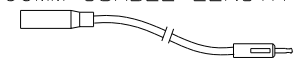
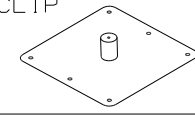

SENSORS

| NO   | PART NUMBER   | DESCRIPTION  |
|------|---|--|
| LPGD | LP GAS DETECTOR<br>150138-01-CHT<br>SCREW<br>G68-06-10U (2) | DETECTOR-LP GAS<br> |

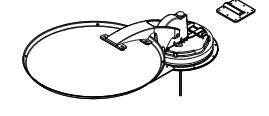
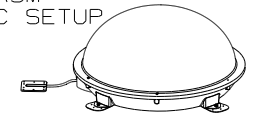
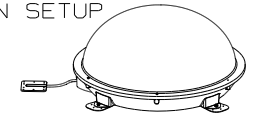
PANELS

| NO    | PART NUMBER   | DESCRIPTION  |
|-------|---|--|
| SOLAR | PANEL-SOLAR 10 WATT<br>151647-01-000<br>SCREW<br>G11-08-12U (4) | SOLAR PANEL<br> |

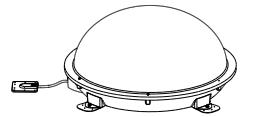
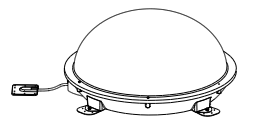
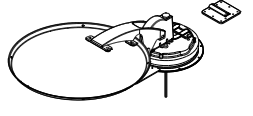
ANTENNA ASM-PACKAGE

|          |   |  |
|----------|---|--|
| ANTEXT-1 | CABLE ASM-EXTENS<br>77069-02-000  | RADIO ANTENNA<br>CABLE EXTENSION<br>2400MM USABLE LENGTH<br>  |
| ANTKIT-1 | ADAPTER-PLATE<br>76319-06-000<br>SCREW<br>G11-08-08T (6)<br>CLIP-WIRE<br>80734-02-000<br>SCREW<br>G11-08-08T              | PLATE ASM-ADAPTERS CABLE<br>ROOF MOUNTING PLATE<br>W/ CABLE-CABLE ADAPTER,<br>FITTINGS, AND CABLE<br>RETAINING CLIP<br> |
| ANT-R    | ANTENNA-RADIO<br>90944-01-000<br>EXTENDER-SHAFT<br>ANTENNA<br>109889-04-000<br>BRACKET-ANTENNA<br>GROUND<br>147741-01-CHT | ROOF MOUNT<br>RADIO<br>ANTENNA<br>  |
| ANTEXT-2 | CABLE ASM-EXTENS<br>77069-03-000  | RADIO ANTENNA<br>CABLE EXTENSION<br>6600 MM USABLE<br>LENGTH   |

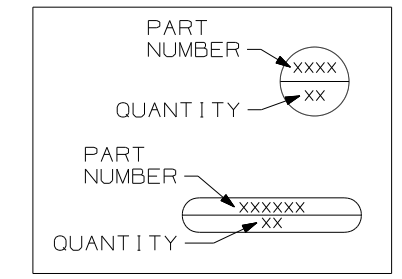
SATELLITE DISH INSTL

| NO   | PART NUMBER  | DESCRIPTION   |
|------|--|---|
| DM-1 | SATELLITE DISH<br>137135-02-000<br>SCREW<br>G67-10-12B (8)<br>PLATE & BRACKET<br>(SUPPLIED)<br>SCREW<br>G67-10-12B (10)  | SATELLITE DISH<br>ANTENNA ASM<br>MANUAL SETUP<br>    |
| DA-1 | SATELLITE DISH<br>163598-01-CHT<br>PLATE-ROOF,CABLE<br>ENTRY QUAD<br>146488-03-000<br>SCREW<br>G67-10-12U (8)<br>(FOR PLATE)<br>SCREW<br>G39-10-12U (12)<br>(FOR SATELLITE DISH) | SATELLITE DISH<br>ANTENNA ASM<br>AUTOMATIC SETUP<br> |
| D1-1 | SATELLITE DISH<br>154474-04-CHT<br>SCREW<br>G39-10-12B (12)<br>PLATE<br>146488-01-000<br>SCREW<br>G67-10-12B (10)  | SATELLITE DISH<br>ANTENNA ASM<br>IN MOTION SETUP<br> |

SATELLITE DISH INSTL

| NO   | PART NUMBER  | DESCRIPTION   |
|------|--|---|
| DA-2 | SATELLITE DISH<br>163598-01-CHT<br>PLATE-ROOF,CABLE<br>ENTRY QUAD<br>146488-03-000<br>CABLE ASM-COAX 9"<br>163598-04-000<br>ADAPTOR-CABLE TO CABLE<br>82134-01-000<br>SCREW<br>G67-10-12U (8)<br>(FOR PLATE)<br>SCREW<br>G39-10-12U (12)<br>(FOR SATELLITE DISH) | SATELLITE DISH<br>ANTENNA ASM<br>AUTOMATIC SETUP<br> |
| D1-2 | SATELLITE DISH<br>154474-04-CHT<br>PLATE-ROOF,CABLE<br>ENTRY QUAD<br>146488-03-000<br>CABLE ASM-COAX 9"<br>163598-04-000<br>ADAPTOR-CABLE TO CABLE<br>82134-01-000<br>SCREW<br>G67-10-12U (8)<br>(FOR PLATE)<br>SCREW<br>G39-10-12U (12)<br>(FOR SATELLITE DISH) | SATELLITE DISH<br>ANTENNA ASM<br>AUTOMATIC SETUP<br> |
| DM-2 | SATELLITE DISH<br>137135-05-000<br>PLATE-ROOF,ENTRY<br>(SUPPLIED WITH<br>SATELLITE DISH)<br>SCREW<br>G67-10-12U (8)<br>(FOR ROOF PLATE)<br>SCREW<br>G67-10-12U (10)<br>(FOR SATELLITE DISH)  | SATELLITE DISH<br>ANTENNA ASM<br>MANUAL SETUP<br>  |

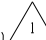
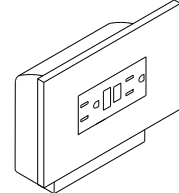

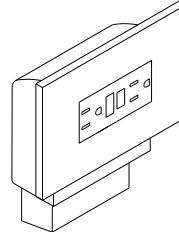
LEGEND

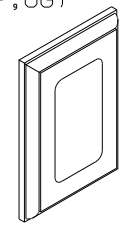
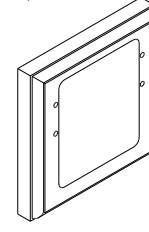
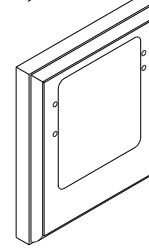
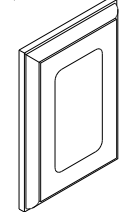
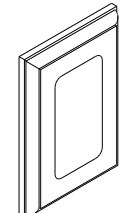


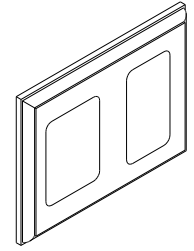
|            |                         |
|------------|-------------------------|
| FIRST USED | 96 MH'S                 |
| TITLE      | DO NOT SCALE DRAWING    |
| TITLE      | PART LISTING-ELECTRICAL |
| SHEET 5    | PART NO 121339 REV      |

RECEPTACLE PACKAGE - GF I


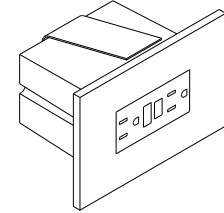
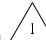
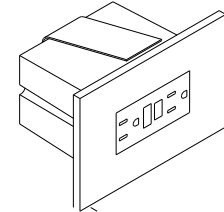
SPACERS

| NO         | PART NUMBER   | DESCRIPTION   |
|------------|---|---|
| GF1<br>US  | RECEPTACLE<br>163319-01-CHT<br>BOX<br>91910-02-000<br>WIRE-BONDING<br>133678-03-000<br>SCREW<br>G13-07-12B (4)<br>CONNECTOR<br>8313-01-000<br>TUBING-VINYL<br>8041-02-000 (300MM)  | GF1 RECEPTACLE WITH<br>COVER AND BOX FOR<br>US APPLICATION<br>     |
| GF1<br>CAN | RECEPTACLE<br>163319-01-CHT<br>BOX<br>91910-01-000<br>WIRE-BONDING<br>133678-03-000<br>SCREW<br>G13-07-12B (4)<br>CONNECTOR<br>8313-01-000<br>TUBING-VINYL<br>8041-02-000 (300MM)  | GF1 RECEPTACLE WITH<br>COVER AND BOX FOR<br>CANADA APPLICATION<br> |

| NO    | PART NUMBER             | DESCRIPTION   |
|-------|-------------------------|---|
| SP-01 | SPACER<br>102568-01-XXX | STANDARD 110V RECEPTACLE SPACER<br>(WOOD,VYL RAP,OG)<br>                           |
| SP-02 | SPACER<br>102568-02-XXX | WOOD SPACER FOR CEILING<br>MOUNTED A/C PREP BOX (US)<br>(WOOD,VYL RAP,OG)<br>      |
| SP-03 | SPACER<br>102568-03-XXX | WOOD SPACER FOR CEILING<br>MOUNTED A/C PREP BOX (CANADA)<br>(WOOD,VYL RAP,OG)<br> |
| SP-04 | SPACER<br>133713-01-CHT | STANDARD 110V RECEPTACLE SPACER<br>(WOOD,VYL RAP,BEV)<br>                        |
| SP-05 | SPACER<br>133713-20-XXX | STANDARD 110V RECEPTACLE SPACER<br>(WOOD,BEV)<br>                                |

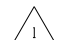
|       |                         |   |
|-------|-------------------------|---|
| SP-21 | SPACER<br>126052-01-XXX | WOOD SPACER FOR 1 - 110V<br>RECEPTACLE AND 1 - REAR TV<br>(12V) JACK<br>(WOOD,BEV)<br> |
|-------|-------------------------|---|

RECEPTACLE PACKAGE - GF I

| NO           | PART NUMBER  | DESCRIPTION   |
|--------------|--|---|
| GF1-L<br>US  | RECEPTACLE<br>163319-01-CHT<br>BOX<br>133070-01-000<br>WIRE-BONDING<br>133678-03-000<br>SCREW<br>G13-07-12B (4)<br>CONNECTOR<br>8313-01-000<br>TUBING-VINYL<br>8041-02-000 (300MM)  | GF1 RECEPTACLE WITH<br>COVER AND BOX FOR<br>US APPLICATION<br>     |
| GF1-L<br>CAN | RECEPTACLE<br>163319-01-CHT<br>BOX<br>133070-02-000<br>WIRE-BONDING<br>133678-03-000<br>SCREW<br>G13-07-12B (4)<br>CONNECTOR<br>8313-01-000<br>TUBING-VINYL<br>8041-02-000 (300MM)  | GF1 RECEPTACLE WITH<br>COVER AND BOX FOR<br>CANADA APPLICATION<br> |

LEGEND

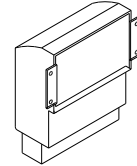
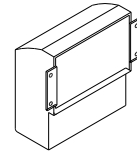
| MISC.                               | SPACER             |
|-------------------------------------|--------------------|
| PART NUMBER → XXXX<br>LISTING → XXX | XXXX → PART NUMBER |

 APPLY TUBING TO BARE GROUND WIRES.  
NOTES:

|            |                      |
|------------|----------------------|
| FIRST USED | 96 MH'S              |
| TITLE      | DO NOT SCALE DRAWING |
| SHEET 6    | PART NO 121339 REV   |
|            | 1 5/21/2007          |

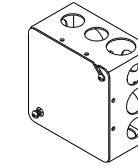
PREP - A/C, RECESSED (W/OUT FACTORY A/C)

| NO              | PART NUMBER  | DESCRIPTION  |
|-----------------|--|--|
| PREP<br>A/C-US  | BOX<br>91910-02-000<br>COVER<br>84099-02-CHT<br>LABEL<br>91243-01-000<br>SCREW<br>G13-07-12B (4)<br>CONNECTOR<br>8313-01-000 (3) | BOX AND EQUIPMENT USED FOR A/C<br>PREP (W/OUT FACTORY A/C). US<br>APPLICATION (RECESSED IN ROOF)     |
| PREP<br>A/C-CAN | BOX<br>91910-01-000<br>COVER<br>84099-02-CHT<br>LABEL<br>91243-01-000<br>SCREW<br>G13-07-12B (4)<br>CONNECTOR<br>8313-01-000 (3) | BOX AND EQUIPMENT USED FOR A/C<br>PREP (W/OUT FACTORY A/C). CANADA<br>APPLICATION (RECESSED IN ROOF) |



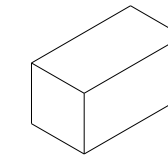
CONNECTION BOX, GENERATOR SERVICE FEED

| NO             | PART NUMBER   | DESCRIPTION  |
|----------------|---|--|
| J-GEN<br>30    | BOX<br>8289-01-000<br>COVER<br>8294-01-000<br>SCREW<br>G67-10-10B (2) | BOX AND EQUIPMENT USED FOR<br>CONNECTING THE GENERATOR LEADS<br>TO THE SERVICE ENTRANCE WIRES<br>(US & CA APPLICATION) |
| J-GEN<br>30-US | WIRE ASM-GROUND<br>133678-02-000                                      |  |
| J-GEN<br>30-CA | WIRE NUT-GREY<br>8314-01-000 (3)<br>SCREW-GRND<br>103291-01-000       |  |
|                | CONNECTOR-WIRE<br>8356-01-000   |  |



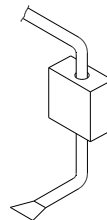
PREP - A/C, SURFACE (W/OUT FACTORY A/C)

| NO           | PART NUMBER   | DESCRIPTION   |
|--------------|---|---|
| PREP<br>SURF | BOX<br>93603-01-000<br>COVER<br>53337-01-000<br>LABEL<br>91243-01-000<br>SCREW-GRND<br>103291-01-000<br>WIRE-BONDING<br>8019-01-000<br>SCREW<br>G11-08-12B (2)<br>TERMINAL<br>8328-01-000<br>CONNECTOR<br>8313-01-000 (2)<br>CONNECTOR<br>8311-01-000 | SURFACE MOUNT, US AND CANADA,<br>BOX AND EQUIPMENT FOR A/C PREP<br>(W/OUT FACTORY A/C). TYPICALLY<br>LOCATED ON OVERHEAD CABINET<br>INNER WALL OR ON CEILING. |



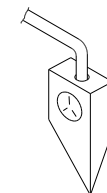
CONNECTION BOX-POWER CORD

| NO            | PART NUMBER  | DESCRIPTION   |
|---------------|--|---|
| J-PC<br>30    | BOX<br>8289-01-000<br>COVER<br>8294-01-000<br>SCREW<br>G67-10-10B (2)  | CONNECTION BOX IN POWER CORD<br>COMPT FOR POWER CORD<br>(US & CA APPLICATION) |
| J-PC<br>30-US | WIRE ASM-GROUND<br>133678-02-000   |   |
| J-PC<br>30-CA | CONNECTOR<br>8314-01-000 (3)<br>SCREW-GRND<br>103291-01-000<br>CONNECTOR<br>8356-02-000<br>CONNECTOR (PC)<br>8355-01-000 |   |
|               |  |   |

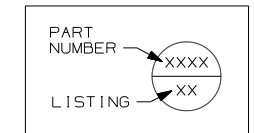


CONNECTION BOX-GENERATOR RECEPTACLE

| NO             | PART NUMBER  | DESCRIPTION  |
|----------------|--|--|
| J-RCP<br>30    | BOX<br>8289-01-000<br>RECEPTACLE<br>24924-02-000<br>COVER<br>69238-01-000<br>SCREW<br>G67-10-10B (2)                           | CONNECTION BOX IN POWER CORD<br>COMPT FOR THE GENERATOR<br>RECEPTACLE<br>(US & CA APPLICATION) |
| J-RCP<br>30-US | WIRE ASM-GROUND<br>133678-02-000   |  |
| J-RCP<br>30-CA | WIRE ASM-GROUND<br>133678-04-000<br>SCREW-GRND<br>103291-01-000<br>CONNECTOR<br>8314-01-000<br>TUBING-VINYL<br>8041-02-000 (1) |  |
|                | (150MM)  |  |



LEGEND



NOTES: APPLY TUBING TO BARE GROUND WIRES.

|            |                         |
|------------|-------------------------|
| FIRST USED | 96 MH'S                 |
| TITLE      | DO NOT SCALE DRAWING    |
|            | PART LISTING-ELECTRICAL |
| SHEET 7    | PART NO 121339 REV      |

| WIRE IDENTIFICATION CHART |   |  |
|---------------------------|---|--|
| CODE/COLOR                | FROM:   | TO:  |
| A<br>14 YEL               | GALLEY CEILING<br>LAMP SWITCH                       | GALLEY CEILING LAMP                              |
| B<br>12 YEL               | OVERCURRENT PROTECTION<br>(30A BREAKER TYPICAL)     | POWER PASSENGER SEAT<br>("BUDDY SEAT")           |
| C<br>12 WHT               | POWER PASSENGER SEAT                                | GROUND   |
| D<br>14 YEL               | SHOWER OVHD LAMP SWITCH<br>SEE WIRE PF, START OF 97 | SHOWER OVHD LAMP                                 |
| E<br>095038-01-           | PHONE INPUT JACK                                    | REAR PHONE JACK                                  |
| F<br>095038-01-           | PHONE INPUT JACK                                    | EXTERIOR PHONE JACK                              |
| G<br>12/ 10 YEL           | OVERCURRENT PROTECTION<br>(30A BREAKER TYPICAL)     | HIGH SPEED HEATER FAN<br>(USE 10 IF OVER 6' RUN) |
| H<br>095038-01-           | PHONE INPUT JACK                                    | FRONT PHONE JACK                                 |
| J<br>6 BLK                | OVERCURRENT PROTECTION<br>(45 OR 55A BREAKER TYP)   | COACH 12V PANEL/<br>CONVERTER BATTERY CHARGE     |
| K<br>6 BLK                | OVERCURRENT PROTECTION<br>(45 OR 55A BREAKER TYP)   | COACH 12V PANEL                                  |
| L<br>6 GRN                | CONVERTER 45 OR 55 AMP                              | GROUND   |
| M<br>6 BLK                | OVERCURRENT PROTECTION<br>(45 OR 50A BREAKER )      | CONVERTER BATTERY CHARGE                         |
| N<br>10 WHT               | REFRIGERATOR  | GROUND   |
| P<br>10YEL(BLK)           | OVERCURRENT PROTECTION<br>(20A FUSE TYPICAL)        | REFRIGERATOR<br>(3 WAY)                          |
| R<br>8 GRN                | REFRIGERATOR CHASSIS                                | GROUND   |
| S<br>8 OR 6 GRN           | GROUND BAR<br>(LEFT SIDE)                           | CHASSIS GROUND                                   |
| T<br>8 OR 6 GRN           | GROUND BAR<br>(RIGHT SIDE)                          | CHASSIS GROUND                                   |
| U<br>6 GRN                | CONVERTER CHASSIS                                   | GROUND   |
| W<br>8 GRN                | -<br>GROUND STUD                                    | -<br>GROUND STUD                                 |

| WIRE IDENTIFICATION CHART |   |  |
|---------------------------|---|--|
| CODE/COLOR                | FROM:   | TO:  |
| X<br>14 YEL               | -<br>CHASSIS BRAKE LAMP CIRCUIT                   | -<br>CENTER MOUNT BRAKE LAMP                               |
| Y<br>16 YEL               | VOLUME CONTROL                                    | RADIO/TV SPEAKER   |
| Z<br>6 BLK                | OVERCURRENT PROTECTION<br>(45 OR 55A BREAKER TYP) | COACH 12V PANEL  |
| AA<br>16 WHT              | SERVICE ENGINE<br>SOON LAMP                       | VEHICLE SERVICE ENGINE<br>SOON LAMP CIRCUIT                |
| AB<br>16 WHT              | WATER TANK<br>LEVEL SENSORS                       | GROUND   |
| AC<br>16 WHT              | MAIN HOLDING TANK SENSORS<br>(BLACK WATER)        | GROUND   |
| AD<br>16 WHT              | AUXILIARY HOLDING TANK #1<br>(GRAY WATER)         | GROUND   |
| AE<br>16 WHT              | AUXILIARY HOLDING TANK #2<br>(GRAY WATER)         | GROUND   |
| AF<br>12 YEL              | WATER PUMP SWITCH #1                              | MONITOR PANEL WATER<br>PUMP SWITCH                         |
| AG<br>12 YEL              | WATER PUMP SWITCH #1                              | MONITOR PANEL WATER<br>PUMP SWITCH                         |
| AH<br>14 YEL              | OVERCURRENT PROTECTION<br>(10A FUSE TYPICAL)      | BRAKE LAMP SWITCH WARNING LAMP<br>(IGNITION RUN/START FED) |
| AJ<br>12 WHT              | CHASSIS GROUND                                    | BODY GROUND  |
| AK<br>12 WHT              | CHASSIS GROUND                                    | BODY GROUND  |
| AL<br>12 YEL              | HEATER CONTROL<br>(LOW SPEED)                     | BLOWER MOTOR<br>(LOW SPEED)                                |
| AM<br>12YEL(WHT)          | HEATER CONTROL<br>(MEDIUM/LOW SPEED)              | BLOWER MOTOR<br>(MEDIUM/LOW SPEED)                         |
| AN<br>12 YEL              | HEATER CONTROL<br>(MEDIUM/HIGH SPEED)             | BLOWER MOTOR<br>(MEDIUM/HIGH SPEED)                        |
| AP<br>14 YEL              | IGNITION SWITCH<br>ACCESSORY FEED                 | OVERCURRENT PROTECTION<br>(15A FUSE TYPICAL)               |
| AR<br>14 WHT              | HORN, FOG LAMPS                                   | GROUND   |
| AS<br>18 WHT              | DASH RADIO  | RIGHT FRONT SPEAKER<br>(NEGATIVE)                          |

| WIRE IDENTIFICATION CHART |   |   |
|---------------------------|---|---|
| CODE/COLOR                | FROM:   | TO:   |
| AT<br>18 WHT              | DASH RADIO                                      | LEFT FRONT SPEAKER<br>(NEGATIVE)                    |
| AU<br>16 YEL              | OVERCURRENT PROTECTION<br>(15A BREAKER TYPICAL) | FRONT CARGO LAMP SWITCH<br>(IGNITION ACCESSORY FED) |
| AW<br>16 YEL              | FRONT CARGO<br>LAMP SWITCH                      | REAR CARGO<br>LAMP SWITCH                           |
| AX<br>16 YEL              | FRONT CARGO<br>LAMP SWITCH                      | REAR CARGO<br>LAMP SWITCH                           |
| AY<br>16 YEL              | REAR CARGO<br>LAMP SWITCH                       | CARGO LAMPS   |
| BA<br>14 WHT              | WINDSHIELD WIPER MOTOR                          | GROUND  |
| BB<br>16 YEL              | OVERCURRENT PROTECTION<br>(6A BREAKER TYPICAL)  | INSTRUMENT PANEL GAUGES<br>(IGNITION ACCESSORY FED) |
| BC<br>14 WHT              | INDICATOR LAMPS                                 | GROUND  |
| BD<br>14 YEL              | OVERCURRENT PROTECTION<br>(10A FUSE TYPICAL)    | BRAKE LAMP SWITCH                                   |
| BE<br>12 WHT              | BLOWER MOTOR                                    | GROUND  |
| BF<br>14 WHT              | WASHER BOTTLE<br>PUMP/HORN                      | GROUND  |
| BG<br>14 YEL              | FUEL SENDER                                     | FUEL GAUGE  |
| BH<br>14 YEL              | RUN ONLY POWER RELAY                            | ENGINE WIRING                                       |
| BJ<br>16 YEL              | OVERCURRENT PROTECTION<br>(10A FUSE TYPICAL)    | ENGINE WIRING<br>(IGNITION RUN/START FED)           |
| BK<br>14 YEL              | OVERCURRENT PROTECTION<br>(10A FUSE TYPICAL)    | HORN RELAY FEED                                     |
| BL<br>16 WHT              | CIGAR LIGHTER                                   | GROUND  |
| BM<br>16 YEL              | CHASSIS BATTERY POWER                           | CIGAR LIGHTER                                       |
| BN<br>16 YEL              | ACCESSORY POWER                                 | SPOTLAMP  |
| BP<br>14 WHT              | POWER MIRROR                                    | GROUND  |

| WIRE IDENTIFICATION CHART |   |   |
|---------------------------|---|---|
| CODE/COLOR                | FROM:   | TO:   |
| BR<br>14 YEL              | POWER MIRROR<br>(RIGHT SIDE)                            | POWER MIRROR<br>CONTROL SWITCH                                  |
| BS<br>14 YEL              | POWER MIRROR<br>HEAT SWITCH                             | POWER MIRRORS   |
| BT<br>14 YEL              | POWER MIRROR<br>(LEFT SIDE)                             | POWER MIRROR<br>CONTROL SWITCH                                  |
| BU<br>14 YEL              | RUN ONLY POWER  | POWER MIRROR HEAT/<br>CONTROL SWITCHES                          |
| BW<br>12 YEL              | IGNITION SWITCH   | ACCESSORY CIRCUIT FEED  |
| BX<br>12YEL(ORN)          | IGNITION SWITCH<br>RUN ONLY SOURCE                      | GENERAL(TURN, BACK UP,DASH<br>IGNITION CIRCUIT,ETC)             |
| BY<br>12YEL/8BLK          | OVERCURRENT PROTECTION<br>(16GA FUSELINK)(8GA PASSTHRU) | CHASSIS BATTERY SOURCE(AUTO AC<br>BLOWER,POWER DRIVER SEAT,ETC) |
| CA<br>12 YEL              | OVERCURRENT PROTECTION<br>(16GA FUSELINK TYPICAL)       | CHASSIS BATTERY SOURCE  |
| CB<br>12 YEL              | IGNITION SWITCH<br>START SOURCE                         | START CIRCUIT SOURCE  |
| CC<br>16 YEL              | ALTERNATOR  | ALTERNATOR WARNING LAMP   |
| CD<br>16 YEL              | OIL PRESSURE<br>WARNING SENDER                          | OIL PRESSURE<br>WARNING LAMP                                    |
| CE<br>16 YEL              | WATER TEMPERATURE<br>WARNING SENDER                     | WATER TEMPERATURE<br>WARNING LAMP                               |
| CF<br>14 YEL              | REAR TV JACK  | POWER FEED SWITCH   |
| CG<br>14 YEL              | CLUTCH/NEUTRAL SWITCH                                   | START ISOLATION RELAY   |
| CH<br>14 YEL              | START RELAY   | ENGINE WIRING   |
| CJ<br>14 YEL              | WINDSHIELD WIPER/WASHER<br>CONTROL SWITCH               | WINDSHIELD WASHER PUMP  |
| CK<br>16 YEL              | TELEVISION  | SPEAKER<br>(POSITIVE)   |
| CL<br>16 WHT              | TELEVISION  | SPEAKER<br>(NEGATIVE)   |
| CM<br>10 YEL              | OVERCURRENT PROTECTION<br>(15A BREAKER TYPICAL)         | INVERTER FEED   |

| WIRE IDENTIFICATION CHART |   |                                    |
|---------------------------|---|------------------------------------|
| CODE/COLOR                | FROM:   | TO:                                |
| CN<br>10 WHT              | INVERTER  | GROUND                             |
| CP<br>12 WHT              | INVERTER CHASSIS                                      | GROUND                             |
| CR<br>16 WHT              | VEHICLE CHECK ENGINE LAMP CIRCUIT                     | CHECK ENGINE LAMP                  |
| CS<br>16 WHT              | REMOTE THERMOSTAT (RC TERM/ORG EXPORT AIR)            | GROUND                             |
| CT<br>16 YEL              | DAYTIME RUNNING LAMP MODULE OUTPUT(PIN 30)            | LOW BEAM HEADLAMP CIRCUIT          |
| CU<br>16 YEL              | DAYTIME RUNNING LAMP MODULE ENABLE(PIN 85)            | RUN/START CIRCUIT                  |
| CW<br>14 YEL              | DAYTIME RUNNING LAMP MODULE POWER(PIN 87A)            | CHASSIS BATTERY POWER              |
| CX<br>16 WHT              | DAYTIME RUNNING LAMP MODULE GROUND(PIN 87)            | GROUND                             |
| CY<br>16 YEL              | DAYTIME RUNNING LAMP MODULE HIGH BEAM DISABLE(PIN 86) | HIGH BEAM HEADLAMP CIRCUIT         |
| DA<br>12 YEL              | SHOWER SUMP SYSTEM PUMP SWITCH                        | SHOWER SUMP SYSTEM PUMP            |
| DB<br>12 WHT              | SHOWER SUMP SYSTEM PUMP                               | GROUND                             |
| DC<br>16 YEL              | REAR ROOF AIR CONDITIONER EXHAUST CIRCUIT             | THERMOSTAT                         |
| DD<br>16 YEL              | REAR ROOF AIR CONDITIONER COOL CIRCUIT                | THERMOSTAT (Y TERM-EXPORT AIR/YEL) |
| DE<br>16 YEL              | REAR ROOF AIR CONDITIONER HIGH SPEED FAN CIRCUIT      | THERMOSTAT (H TERM-EXPORT AIR/BLU) |
| DF<br>16 YEL              | REAR ROOF AIR CONDITIONER LOW SPEED FAN CIRCUIT       | THERMOSTAT (G TERM-EXPORT AIR/RED) |
| DG<br>12YEL(GRY)          | IGNITION SWITCH                                       | ACCESSORY/RUN FEED                 |
| DH<br>14 YEL              | EMERGENCY SHUTDOWN GAUGE                              | FUEL SOLENOID (DIESEL ENGINE)      |
| DJ<br>16 YEL              | TV/RADIO SPEAKER SWITCHING RELAY OUTPUT               | LEFT REAR SPEAKER POSITIVE         |
| DK<br>16 WHT              | TV/RADIO SPEAKER SWITCHING RELAY OUTPUT               | LEFT REAR SPEAKER NEGATIVE         |

| WIRE IDENTIFICATION CHART |   |   |
|---------------------------|---|---|
| CODE/COLOR                | FROM:   | TO:   |
| DL<br>16 YEL              | TV/RADIO SPEAKER SWITCHING RELAY OUTPUT                   | RIGHT REAR SPEAKER POSITIVE                                   |
| DM<br>16 WHT              | TV/RADIO SPEAKER SWITCHING RELAY OUTPUT                   | RIGHT REAR SPEAKER NEGATIVE                                   |
| DN<br>10 YEL              | BATTERY DISCONNECT RELAY                                  | CIRCUIT BREAKER SLIDEOUT ROOM CIRCUIT BRKR                    |
| DP<br>14 YEL              | TV/RADIO SPEAKER FEED SELECT SWITCH                       | TV/RADIO SPEAKER SWITCHING RELAY COIL INPUT OR AMPLIFIER      |
| DR<br>16 YEL              | HWH WIRING OR KWIKEE FRONT SLIDE MODULE                   | SLIDEOUT SWITCH (ROOM ONE EXTEND)                             |
| DS<br>16 WHT              | CONTROL MODULE (FRONT SLIDE)(GROUND)                      | SLIDEOUT SWITCH (FRONT SLIDEOUT)                              |
| DT<br>16 YEL              | SLIDEOUT ROOM RELAY (PIN 30)                              | SLIDEOUT ROOM CONTROL SWITCH                                  |
| DU<br>16 YEL              | HWH WIRING OR KWIKEE FRONT SLIDE MODULE                   | SLIDEOUT SWITCH (ROOM ONE RETRACT)                            |
| DW<br>16 WHT              | SLIDEOUT ROOM SWITCH (G) (SWITCHED GROUND TO PUMP)        | HWH WIRING (SWITCHED GROUND TO PUMP)                          |
| DX<br>16 WHT              | HWH WIRING (G) (GROUND)                                   | SLIDEOUT ROOM SWITCH (GROUND)                                 |
| DY<br>16 WHT              | HWH WIRING (G) (JACK SENSE; SWITCHED GROUND)              | SLIDEOUT ROOM RELAY (JACK SENSE; SWITCHED GROUND)             |
| EA<br>16 YEL              | HWH WIRING (G) (ACCESSORY POWER)                          | SLIDEOUT ROOM RELAY (ACCESSORY POWER)                         |
| EB<br>16 YEL              | SLIDEOUT ROOM RELAY (G) (SWITCHED ACCESSORY POWER)        | FRT/RR SLIDEOUT ROOM SWITCH (SWITCHED EXTEND/RETRACT PWR)     |
| EC<br>10 YEL              | CHASSIS BATTERY POWER SOURCE (BATTERY MODE SOLENOID POST) | THRU FUSE TO AMP SOURCE SELECT RELAY(PIN 87)(OPTION 21V,95 Q) |
| ED<br>10 YEL              | COACH BATTERY POWER SOURCE (BATTERY MODE SOLENOID POST)   | THRU FUSE TO AMP SOURCE SELECT RELAY(PIN 87A)(OPTION 21V,95Q) |
| EE<br>16 YEL              | AIR RIDE SUSPENSION LEFT DOWN SWITCH POSITION             | AIR RIDE SUSPENSION LEFT HEIGHT CONTROL BOX                   |
| EF<br>16 YEL              | AIR RIDE SUSPENSION LEFT UP SWITCH POSITION               | AIR RIDE SUSPENSION LEFT HEIGHT CONTROL BOX                   |
| EG<br>16 WHT              | AIR RIDE SUSPENSION WIRE ASM GROUND                       | AIR RIDE SUSPENSION CONTROL LAMP GROUNDS                      |
| EH<br>16 YEL              | AIR RIDE SUSPENSION RIGHT DOWN SWITCH POSITION            | AIR RIDE SUSPENSION RIGHT HEIGHT CONTROL BOX                  |

| WIRE IDENTIFICATION CHART |  |  |
|---------------------------|--|--|
| CODE/COLOR                | FROM:  | TO:  |
| EJ<br>16 YEL              | AIR RIDE SUSPENSION RIGHT<br>UP SWITCH POSITION                | AIR RIDE SUSPENSION<br>RIGHT HEIGHT CONTROL BOX        |
| EK<br>16 YEL              | AIR RIDE SUSPENSION AUTO<br>MODE SWITCH POSITION               | AIR RIDE SUSPENSION<br>HEIGHT CONTROL BOXES            |
| EL<br>16 YEL              | RUN ONLY POWER   | AIR RIDE SUSPENSION<br>AUTO/MANUAL MODE SWITCH         |
| EM<br>16 YEL              | AIR RIDE SUSPENSION<br>COMPRESSOR                              | COMPRESSOR ON WARNING LAMP                             |
| EN<br>16 YEL              | AIR RIDE SUSPENSION MANUAL<br>MODE SWITCH POSITION             | LEVEL CONTROL SWITCHES<br>AND INDICATOR LAMP           |
| EP<br>14 YEL              | OVERCURRENT PROTECTION<br>(15A BREAKER TYPICAL)                | SPOTLAMP   |
| ER<br>16 YEL              | OVERCURRENT PROTECTION<br>(6A BREAKER TYPICAL)                 | ELECTRIC STEP<br>KILL SWITCH                           |
| ES<br>16 YEL              | ELECTRIC STEP<br>KILL SWITCH                                   | ELECTRIC STEP  |
| ET<br>16 YEL              | OVERCURRENT PROTECTION<br>(6A BREAKER TYPICAL)                 | REFRIGERATOR<br>(2 WAY)                                |
| EU<br>16 WHT              | REFRIGERATOR<br>(2 WAY)  | GROUND   |
| EW<br>14 YEL              | FUEL HEATER SWITCH   | FUEL HEATER<br>(DIESEL ENGINE)                         |
| EX<br>14 YEL              | TELEVISION POWER SWITCH  | TELEVISION WALL PLATE                                  |
| EY<br>12YELLTBLU          | OVERCURRENT PROTECTION<br>(16GA FUSELINK TYPICAL)              | IGNITION SWITCH FEED #2                                |
| FA<br>14 YEL              | DRIVER'S DOOR PASSENGER SIDE<br>POWER WINDOW SWITCH(DOWN,PIN2) | PASSENGER'S POWER WINDOW<br>SWITCH(PIN 2)              |
| FB<br>14 YEL              | DRIVER'S DOOR PASSENGER SIDE<br>POWER WINDOW SWITCH(UP,PIN 4)  | PASSENGER'S POWER WINDOW<br>SWITCH(PIN 4)              |
| FC<br>14 YEL              | PASSENGER'S DOOR POWER<br>WINDOW SWITCH(DOWN,PIN 1)            | PASSENGER'S DOOR POWER<br>WINDOW MOTOR(DOWN)           |
| FD<br>14 YEL              | PASSENGER'S DOOR POWER<br>WINDOW SWITCH(UP,PIN 5)              | PASSENGER'S DOOR POWER<br>WINDOW MOTOR(UP)             |
| FG<br>10 YEL              | AMPLIFIER POWER SOURCE<br>SELECT RELAY (PIN 30)                | AMPLIFIER POWER FEED<br>(DELUXE SOUND SYSTEM,95 LUXOR) |
| FH<br>10 WHT              | AMPLIFIER<br>(DELUXE SOUND SYSTEM,95 LUXOR)                    | GROUND   |

| WIRE IDENTIFICATION CHART |  |  |
|---------------------------|--|--|
| CODE/COLOR                | FROM:  | TO:  |
| FJ<br>12 YEL              | WATER PUMP SWITCH #2<br>(THREE SWITCH SYSTEM)            | WATER PUMP SWITCH #1<br>(THREE SWITCH SYSTEM)                    |
| FK<br>12 YEL              | WATER PUMP SWITCH #2<br>(THREE SWITCH SYSTEM)            | WATER PUMP SWITCH #1<br>(THREE SWITCH SYSTEM)                    |
| FL<br>14 YEL              | SECOND PORCH<br>LAMP SWITCH                              | SECOND PORCH LAMP  |
| FM<br>14 WHT              | SOLENOID MOUNTING BOLT                                   | GROUND   |
| FN<br>16 YEL              | SOURCE SELECTOR SWITCH<br>(DELUXE SOUND SYSTEM,95 LUXOR) | AMP & EQUALIZER REMOTE TRIGGER<br>(DELUXE SOUND SYSTEM,95 LUXOR) |
| FP<br>16 YEL              | EXHAUST BRAKE SWITCH<br>(DIESEL PUSHER CHASSIS)          | CHASSIS EXHAUST BRAKE HARNESS<br>& BRAKE ON DASH INDICATOR LAMP  |
| FR<br>14 YEL              | FORD RUN/ACCESSORY IGNITON<br>CIRCUIT(WHT/PUR,10A FUSED) | DOCKING LAMPS, RELAY TRIGGER,<br>REAR MONITOR CAMERA FEED        |
| FS<br>14 YEL              | DOCKING LAMPS<br>RELAY(PIN 87)                           | DOCKING LAMPS  |
| FT<br>14 WHT              | DOCKING LAMPS  | GROUND   |
| FU<br>14 YEL              | AUTOMOTIVE AIR WIRING                                    | FORD A/C COMPRESSOR CLUTCH<br>SWITCH CIRCUIT                     |
| FW<br>14 YEL              | DOCKING LAMPS SWITCH                                     | DOCKING LAMPS<br>RELAY(PIN 30)                                   |
| FX<br>12 YEL              | OVERCURRENT PROTECTION<br>(30A BRKR OR FUSE)             | POWER DRIVER SEAT<br>(I.E.,6 WAY)                                |
| FY<br>12 WHT              | POWER DRIVER SEAT<br>(I.E.,6 WAY)                        | GROUND   |
| GA<br>14 YEL              | WATER SYSTEM WINTERIZATION<br>SWITCH                     | WINTERIZATION VALVE  |
| GB<br>14 YEL              | WATER HEATER BYPASS SWITCH                               | WATER HEATER BYPASS VALVE  |
| GC<br>16 YEL              | SLIDEOUT ROOM SPDT SWITCH (M)<br>(SWITCHED WIRE)         | HHW WIRING<br>(SWITCHED WIRE)                                    |
| GD<br>16 YEL              | WIPER CONTROL MODULE                                     | WIPER MOTOR<br>(S TERMINAL)                                      |
| GE<br>16 YEL              | SWITCHED DOME LAMP FEED                                  | DOME LAMP  |
| GF<br>16 WHT              | COMMON REAR CHANNEL<br>SPEAKER RETURN                    | REAR SPEAKERS  |

| WIRE IDENTIFICATION CHART |   |   |
|---------------------------|---|---|
| CODE/COLOR                | FROM:   | TO:   |
| GG<br>16 YEL              | RADIO REMOTE TRIGGER<br>(DELUXE SOUND OPTION)     | SOURCE SELECTOR SWITCH<br>(LUXOR)                               |
| GH<br>14 WHT              | GLOW PLUG WAIT LAMP<br>(DIESEL ENGINE)            | ENGINE SENDER   |
| GJ<br>16 YEL              | COACH BATTERY POWER<br>(UPSTREAM OF DISCONNECT)   | LP DETECTOR AND/OR SOLAR PANEL<br>WIRING OVERCURRENT PROTECTION |
| GK<br>14 YEL              | AIR HORN SWITCH                                   | CHASSIS HORN  |
| GL<br>16 WHT              | WATER/HOLDING TANKS<br>LEVEL SENSORS              | GROUND  |
| GM<br>16 YEL              | JET AIR RIDE SUSPENSION<br>PRESSURE SENSORS       | CHECK REAR AIR SUSPENSION<br>DASH WARNING LAMP                  |
| GN<br>16 YEL              | REAR TV SPEAKER OUTPUT<br>(POSITIVE)              | REAR TV SPEAKER<br>(POSITIVE)                                   |
| GP<br>16 WHT              | REAR TV SPEAKER OUTPUT<br>(NEGATIVE)              | REAR TV SPEAKER<br>(NEGATIVE)                                   |
| GR<br>14 YEL              | THERMOSTATICALLY CONTROLLED<br>ROOF VENT (SEND)   | THERMOSTAT<br>(RETURN)  |
| GS<br>14 YEL              | THERMOSTATICALLY CONTROLLED<br>ROOF VENT (RETURN) | THERMOSTAT<br>(RETURN)  |
| GT<br>16 YEL              | RADIO POWER SWITCH<br>(MEMORY FEED)               | RADIO<br>(MEMORY FEED)  |
| GU<br>16 YEL              | DEFOG MODULE OUTPUT                               | DEFOG RELAY, INDICATOR<br>LAMP                                  |
| GW<br>16 WHT              | DEFOG SWITCH ON/OFF                               | DEFOG MODULE ON/OFF   |
| GX<br>16/12 WHT           | STEP COVER SWITCH<br>(REF AAA-16/KA-12)           | GROUND  |
| GY<br>12 YEL              | DEFOG RELAY                                       | DEFOG UNIT  |
| HA<br>14 YEL              | READING LAMPS SWITCH<br>(93 VANS)                 | READING LAMPS   |
| HB<br>14 YEL              | "MOOD" LAMPS SWITCH<br>(93 VANS)                  | "MOOD" LAMPS  |
| HC<br>14 YEL              | 12V POWER SOURCE<br>(93 VANS)                     | OVERCURRENT PROTECTION<br>(15A FUSE TYPICAL)                    |
| HD<br>14 YEL              | SOFA SLIDE MOTOR POSITIVE<br>(94 VANS)            | SOFA MONOPLEX<br>CONTROLLER                                     |

| WIRE IDENTIFICATION CHART |  |  |
|---------------------------|--|--|
| CODE/COLOR                | FROM:  | TO:  |
| HE<br>14 WHT              | SOFA SLIDE MOTOR NEGATIVE<br>(94 VANS)               | SOFA MONOPLEX<br>CONTROLLER                                  |
| HF<br>14 YEL              | SOFA RECLINE MOTOR POSITIVE<br>(94 VANS)             | SOFA MONOPLEX<br>CONTROLLER                                  |
| HG<br>14 WHT              | SOFA RECLINE MOTOR NEGATIVE<br>(94 VANS)             | SOFA MONOPLEX<br>CONTROLLER                                  |
| HH<br>16 YEL              | SOFA MONOPLEX SWITCH<br>(94 VANS)                    | SOFA MONOPLEX<br>CONTROLLER                                  |
| HJ<br>16 WHT              | SOFA MONOPLEX SWITCH<br>(94 VANS)                    | GROUND   |
| HK<br>14 WHT              | SOFA MONOPLEX CONTROLLER<br>(94 VANS)                | GROUND   |
| HL<br>14 YEL              | FLOOD LAMP SWITCH<br>(94 VANS)                       | FLOOD LAMP   |
| HM<br>16 YEL              | REAR TV SPEAKER OUTPUT<br>(POSITIVE)                 | REAR TV SPEAKER<br>(POSITIVE)                                |
| HN<br>16 WHT              | REAR TV SPEAKER OUTPUT<br>(NEGATIVE)                 | REAR TV SPEAKER<br>(NEGATIVE)                                |
| HP<br>16 YEL              | OVERCURRENT PROTECTION<br>(94 VANS)                  | REAR AC  |
| HR<br>14 YEL              | SWITCH<br>(94 1200 MODEL VAN)                        | 12VOLT RECEPTACLE  |
| HS<br>16 YEL              | SOLAR PANEL<br>(1HS INDICATOR TO BATTERY)            | COACH BATTERY THRU OVERCURRENT<br>PROTECTION                 |
| HT<br>16 WHT              | SOLAR PANEL<br>(1HT INDICATOR TO GROUND)             | GROUND   |
| HU<br>16 YEL              | GENERATOR SWITCH<br>(LED)                            | GENERATOR<br>(POSITIVE SIGNAL)                               |
| HW<br>16 YEL              | LICENSE PLATE LAMP FEED                              | LICENSE PLATE LAMP   |
| HX<br>16 YEL              | CHASSIS CLEARANCE LAMP CRT #2                        | CLEARANCE/MARKER LAMPS                                       |
| HY<br>12 WHT              | DEFOG UNIT   | GROUND   |
| JA<br>14 YEL              | OVERCURRENT PROTECTION<br>(15A FUSE/BREAKER TYPICAL) | WATER PUMP, MONITOR PANEL, ETC<br>( "CLEAN CIRCUIT", REF JP) |
| JB<br>14 YEL              | OVERCURRENT PROTECTION<br>(15A FUSE/BREAKER TYPICAL) | FURNACE, ROOF VENT, ETC<br>(REF JM)                          |

| WIRE IDENTIFICATION CHART |  |   |
|---------------------------|--|---|
| CODE/COLOR                | FROM:  | TO:   |
| JC<br>14 YEL              | OVERCURRENT PROTECTION<br>(15A FUSE/BREAKER TYPICAL) | COACH LIGHTING, ETC<br>CIRCUIT #1 (REF NC)              |
| JD<br>14 YEL              | OVERCURRENT PROTECTION<br>(15A FUSE/BREAKER TYPICAL) | COACH LIGHTING, ETC<br>CIRCUIT #2 (REF ND)              |
| JE<br>14 YEL              | OVERCURRENT PROTECTION<br>(15A FUSE/BREAKER TYPICAL) | COACH LIGHTING, ETC<br>CIRCUIT #3 (REF NE)              |
| JF<br>14 YEL              | OVERCURRENT PROTECTION<br>(15A FUSE/BREAKER TYPICAL) | COACH LIGHTING, ETC<br>CIRCUIT #4 (REF NF)              |
| JG<br>14 YEL              | OVERCURRENT PROTECTION<br>(15A FUSE/BREAKER TYPICAL) | COACH LIGHTING, ETC(ALT CLEAN)<br>CIRCUIT #5 (REF JN)   |
| JH<br>14 YEL              | MAIN FURNACE<br>(12V POWER)                          | MAIN FURNACE<br>THERMOSTAT                              |
| JJ<br>14 YEL              | MAIN FURNACE<br>(HEAT)                               | MAIN FURNACE<br>THERMOSTAT                              |
| JK<br>14 YEL              | AUXILIARY FURNACE                                    | AUXILIARY FURNACE<br>THERMOSTAT                         |
| JL<br>14 YEL              | AUXILIARY FURNACE                                    | AUXILIARY FURNACE<br>THERMOSTAT                         |
| JM<br>14 WHT              | MAIN FURNACE   | GROUND  |
| JN<br>14 WHT              | COACH LIGHTING CIRCUIT #5<br>(REF JG)                | GROUND(ALTERNATE CLEAN CIRCUIT<br>FOR LINEAR CONVERTER) |
| JP<br>14 WHT              | "CLEAN CIRCUIT" DEVICES<br>(REF JA)                  | GROUND  |
| JR<br>16 YEL              | MONITOR PANEL  | LP TANK #2 LEVEL SENSOR                                 |
| JS<br>12 YEL              | MONITOR PANEL WATER<br>PUMP SWITCH                   | WATER PUMP  |
| JT<br>16 YEL              | MONITOR PANEL  | LP TANK #1 LEVEL SENSOR                                 |
| JU<br>14 YEL              | MONITOR PANEL WATER<br>HEATER SWITCH                 | WATER HEATER<br>(BLU)                                   |
| JW<br>14 YEL              | MONITOR PANEL WATER<br>HEATER SWITCH                 | WATER HEATER<br>(BRN)                                   |
| JX<br>14 WHT              | WATER HEATER   | GROUND  |
| JY<br>12 WHT              | WATER PUMP   | GROUND  |

| WIRE IDENTIFICATION CHART |  |  |
|---------------------------|--|--|
| CODE/COLOR                | FROM:  | TO:  |
| KA<br>12 YEL              | OVERCURRENT PROTECTION<br>(25A BREAKER TYPICAL)      | ELECTRIC STEP<br>BATTERY POWER                                   |
| KB<br>10 YEL              | OVERCURRENT PROTECTION<br>(25A BREAKER TYPICAL)      | ELECTRIC STEP KILL SWITCH<br>(OLD STEP WIRING STYLE)             |
| KC<br>10 YEL              | ELECTRIC STEP KILL SWITCH<br>(OLD STEP WIRING STYLE) | ELECTRIC STEP  |
| KD<br>18 WHT              | ELECTRIC STEP DOOR<br>JAMB SWITCH                    | ELECTRIC STEP  |
| KE<br>14 YEL              | RUN ONLY POWER SOURCE                                | GENERAL PURPOSE(RELAY TRIGGER,<br>REAR AUTO HTR,DRL,MONITOR,ETC) |
| KF<br>16 WHT              | COACH BATTERY DISCONNECT<br>RELAY SWITCH             | GROUND   |
| KG<br>14 YEL              | POWER LIFT VENT<br>(BLU)                             | POWER LIFT SWITCH(UP)  |
| KH<br>14 YEL              | POWER LIFT VENT<br>(RED)                             | POWER LIFT SWITCH(DOWN)  |
| KJ<br>14 YEL              | POWER LIFT VENT<br>(BLK)                             | FAN SWITCH   |
| KK<br>18 YEL              | REAR STEREO  | RIGHT SPEAKER<br>(POSITIVE)                                      |
| KL<br>18 WHT              | REAR STEREO  | RIGHT SPEAKER<br>(NEGATIVE)                                      |
| KM<br>14 YEL              | POWER LIFT VENT LAMP                                 | LAMP SWITCH  |
| KN<br>18 YEL              | REAR STEREO  | LEFT SPEAKER<br>(POSITIVE)                                       |
| KP<br>18 WHT              | REAR STEREO  | LEFT SPEAKER<br>(NEGATIVE)                                       |
| KR<br>14 WHT              | REAR STEREO ANTENNA                                  | GROUND   |
| KS<br>14 YEL              | REAR AUTO HEATER SWITCH<br>(HIGH SPEED)              | REAR AUTO HEATER   |
| KT<br>14 YEL              | REAR AUTO HEATER SWITCH<br>(MEDIUM SPEED)            | REAR AUTO HEATER   |
| KU<br>14 YEL              | REAR AUTO HEATER SWITCH<br>(LOW SPEED)               | REAR AUTO HEATER   |
| KW<br>18 YEL              | DASH RADIO   | RIGHT FRONT SPEAKER<br>(POSITIVE)                                |

| WIRE IDENTIFICATION CHART |  |   |
|---------------------------|--|---|
| CODE/COLOR                | FROM:  | TO:   |
| KX<br>18 YEL              | DASH RADIO   | RIGHT REAR SPEAKER<br>(POSITIVE)                                |
| KY<br>18 YEL              | DASH RADIO   | LEFT FRONT SPEAKER<br>(POSITIVE)                                |
| LA<br>18 YEL              | DASH RADIO   | LEFT REAR SPEAKER<br>(POSITIVE)                                 |
| LB<br>18 WHT              | DASH RADIO   | RIGHT REAR SPEAKER<br>(NEGATIVE)                                |
| LC<br>18 WHT              | DASH RADIO   | LEFT REAR SPEAKER<br>(NEGATIVE)                                 |
| LD<br>14 YEL              | IGNITION SWITCH ACCESSORY<br>POWER SOURCE                | GENERAL PURPOSE(AUX FANS,RELAY<br>TRIGGER,ETC.)                 |
| LE<br>14 YEL              | AUXILIARY DEFROST FANS SWITCH<br>(HIGH SPEED)            | AUXILIARY DEFROST FANS<br>(BLK)                                 |
| LF<br>14 YEL              | AUXILIARY DEFROST FANS SWITCH<br>(LOW SPEED)             | AUXILIARY DEFROST FANS<br>(RED)                                 |
| LG<br>16 YEL              | COACH BATTERY DISCONNECT RELAY<br>(TERMINAL I)           | COACH BATTERY DISCONNECT<br>RELAY SWITCH                        |
| LH<br>16 YEL              | COACH BATTERY DISCONNECT RELAY<br>(TERMINAL S)           | COACH BATTERY DISCONNECT<br>RELAY SWITCH                        |
| LJ<br>16 YEL              | COACH BATTERY DISCONNECT RELAY<br>BATTERY SIDE FUSE FEED | COACH BATTERY DISCONNECT<br>RELAY SWITCH                        |
| LK<br>16 YEL              | COACH BATTERY DISCONNECT RELAY<br>LOAD SIDE FUSE FEED    | COACH BATTERY DISCONNECT<br>RELAY SWITCH/INDICATOR LAMP         |
| LL<br>16 WHT              | GENERATOR SWITCH<br>(START)                              | GENERATOR<br>(RED)  |
| LM<br>16 WHT              | GENERATOR SWITCH<br>(STOP)                               | GENERATOR<br>(ORN)  |
| LN<br>16 WHT              | GENERATOR SWITCH/INDICATOR<br>(GROUND)                   | GENERATOR<br>(GRN)  |
| LP<br>16 YEL              | GENERATOR SWITCH/INDICATOR<br>(RUN)                      | GENERATOR<br>(BLU)  |
| LR<br>14 YEL              | BATTERY MODE SWITCH<br>(AUX START SWITCH)                | BATTERY MODE SOLENOID<br>(AUX START SOLENOID)                   |
| LS<br>12 YEL              | OVERCURRENT PROTECTION<br>20A BREAKER TYPICAL,COACH FEED | GENERAL PURPOSE(BATTERY MODE,<br>RADIO POWER,BATTERY CONDITION) |
| LT<br>16 YEL              | BATTERY CONDITION SWITCH                                 | VOLTMETER<br>(POWER FEED)                                       |

| WIRE IDENTIFICATION CHART |  |   |
|---------------------------|--|---|
| CODE/COLOR                | FROM:  | TO:   |
| LU<br>14 YEL              | CHASSIS BRAKE LAMP CIRCUIT                         | VEHICLE BRAKES, TAG AXLE<br>CONTROL MODULE,ETC.             |
| LW<br>14 YEL              | WIPER CONTROL MODULE<br>(PARK)                     | WINDSHIELD WIPER MOTOR<br>(FRONT)                           |
| LX<br>14 YEL              | WIPER CONTROL MODULE<br>(LOW SPEED)                | WINDSHIELD WIPER MOTOR<br>(FRONT)                           |
| LY<br>14 YEL              | WIPER CONTROL MODULE<br>(HIGH SPEED)               | WINDSHIELD WIPER MOTOR<br>(FRONT)                           |
| MA<br>14 YEL              | WIPER CONTROL MODULE<br>(WASHER BOTTLE PUMP)       | WINDSHIELD WASHER BOTTLE PUMP<br>(FRONT)                    |
| MB<br>14 YEL              | CHASSIS WINDSHIELD WIPER<br>FEED CIRCUIT           | OVERCURRENT PROTECTION<br>(6A BREAKER TYPICAL)              |
| MC<br>16 WHT              | INSTRUMENT PANEL LAMPS                             | GROUND  |
| MD<br>14 YEL              | OVERCURRENT PROTECTION<br>(15A BREAKER TYPICAL)    | REMOTE MIRROR RELAY/POWER<br>WINDOW FEED                    |
| ME<br>14 YEL              | OVERCURRENT PROTECTION<br>(15A BREAKER TYPICAL)    | AIR HORN RELAY FEED/<br>MARKER LAMPS RELAY FEED             |
| MF<br>14 YEL              | OVERCURRENT PROTECTION<br>(15A BREAKER TYPICAL)    | FOG LAMP RELAY FEED/<br>SPOT LAMP FEED                      |
| MG<br>14 WHT              | GENERAL PURPOSE(RELAYS,DASH<br>DEVICES,ETC.)       | GROUND  |
| MH<br>16 WHT              | CHASSIS CHOKE LAMP<br>INDICATOR CIRCUIT            | CHOKE LAMP  |
| MJ<br>14 YEL              | CHASSIS WINDSHIELD WIPER<br>FEED CIRCUIT           | WIPER CONTROL MODULE<br>(POWER FEED)                        |
| MK<br>14 YEL              | CHASSIS BATTERY POWER<br>FEED CIRCUIT              | GENERAL PURPOSE(CIGAR LIGHTER,<br>DOME/COURTESY LAMPS,ETC)  |
| ML<br>16 YEL              | CHASSIS INSTRUMENT PANEL<br>LAMPS FEED CIRCUIT     | INSTRUMENT PANEL LAMPS                                      |
| MM<br>14 YEL              | CHASSIS CLEARANCE LAMP CRT #1<br>(BRN TYPICAL)     | CLEARANCE/MARKER LAMPS                                      |
| MN<br>14 WHT              | DOME LAMP SWITCHED GROUND                          | DOME LAMP SWITCH(DOOR JAMB,<br>INSTRUMENT PANEL SWITCH,ETC) |
| MP<br>18/16 WHT           | ELEC STEP DOOR JAMB SWITCH,<br>LP TANK SENDER, ETC | GROUND  |
| MR<br>14 YEL              | REAR WINDOW WIPER SWITCH<br>(LOW SPEED)            | REAR WINDOW WIPER MOTOR<br>(LOW SPEED)                      |

| WIRE IDENTIFICATION CHART |  |  |
|---------------------------|--|--|
| CODE/COLOR                | FROM:  | TO:                                    |
| MS<br>14 WHT              | CLEARANCE/MARKER LAMPS   | GROUND                                 |
| MT<br>8 WHT               | ELECTRIC STEP  | GROUND                                 |
| MU<br>14 WHT              | GENERAL PURPOSE(CIGAR LIGHTER,<br>DOME LAMPS,12 V OUTLETS,ETC) | GROUND                                 |
| MW<br>16 YEL              | VEHICLE CHECK ENGINE<br>LAMP CIRCUIT                           | CHECK ENGINE LAMP                      |
| MX<br>16 YEL              | WINDSHIELD WIPER SWITCH  | WIPER RELAY                            |
| MY<br>14 YEL              | VEHICLE HEADLAMP FEED CIRCUIT                                  | DIMMER MODULE                          |
| NA<br>14 YEL              | VEHICLE HEADLAMP LOW<br>BEAM CIRCUIT                           | DIMMER MODULE                          |
| NB<br>14 YEL              | VEHICLE HEADLAMP HIGH<br>BEAM CIRCUIT                          | DIMMER MODULE                          |
| NC<br>14 WHT              | COACH LIGHTING CIRCUIT #1<br>(REF JC)                          | GROUND                                 |
| ND<br>14 WHT              | COACH LIGHTING CIRCUIT #2<br>(REF JD)                          | GROUND                                 |
| NE<br>14 WHT              | COACH LIGHTING CIRCUIT #3<br>(REF JE)                          | GROUND                                 |
| NF<br>14 WHT              | COACH LIGHTING CIRCUIT #4<br>(REF JF)                          | GROUND                                 |
| NG<br>16 YEL              | FOG LAMPS SWITCH   | FOG LAMPS RELAY                        |
| NH<br>14 YEL              | FOG LAMPS RELAY  | FOG LAMPS                              |
| NJ<br>16 YEL              | CHASSIS HORN FEED CIRCUIT                                      | AIR HORN SWITCH                        |
| NK<br>14 YEL              | AIR HORN SWITCH  | AIR HORN AIR TANK AIR<br>RELEASE VALVE |
| NL<br>14 YEL              | AR HORN RELAY  | AIR HORN AIR COMPRESSOR                |
| NM<br>14 YEL              | OVERCURRENT PROTECTION<br>(15A FUSE TYPICAL)                   | COACH LIGHTING CIRCUIT #6<br>(REF PM)  |
| NN<br>16 YEL              | LEFT POWER MIRROR MOTOR<br>(HORIZONTAL CONTROL,YEL)            | POWER MIRROR CONTROL SWITCH            |

| WIRE IDENTIFICATION CHART |  |                             |
|---------------------------|--|-----------------------------|
| CODE/COLOR                | FROM:  | TO:                         |
| NR<br>16 YEL              | LEFT POWER MIRROR<br>(VERTICAL CONTROL, WHT)           | POWER MIRROR CONTROL SWITCH |
| NS<br>14 YEL              | POWER MIRROR HEATER SWITCH                             | POWER MIRRORS<br>(RED)      |
| NT<br>14 YEL              | POWER MIRROR RELAY                                     | POWER MIRROR CONTROL SWITCH |
| NU<br>14 YEL              | AISLE LAMPS SWITCH #1                                  | AISLE LAMPS SWITCH #2       |
| NW<br>14 YEL              | FRONT COMPARTMENT LAMPS SWITCH                         | COMPARTMENT LAMPS           |
| NX<br>14 YEL              | INTERSTATE COMMERCE COMMITTEE<br>COURTESY BLINK SWITCH | CLEARANCE LAMPS             |
| NY<br>14 YEL              | AISLE LAMPS SWITCH #1                                  | AISLE LAMPS SWITCH #2       |
| PA<br>14 WHT              | REAR AUTO HEATER                                       | GROUND                      |
| PB<br>14 WHT              | REAR WINDOW WIPER MOTOR                                | GROUND                      |
| PC<br>14 YEL              | BEDROOM CEILING LAMP SWITCH                            | BEDROOM CEILING LAMP        |
| PD<br>14 YEL              | MAKE UP LAMP #1 SWITCH                                 | MAKE UP LAMP #1             |
| PE<br>14 YEL              | BATH CEILING LAMP SWITCH                               | BATH CEILING LAMP           |
| PF<br>14 YEL              | SHOWER LAMP SWITCH<br>WIRE D WAS FIRST USED ON C'S     | SHOWER LAMP                 |
| PG<br>14 YEL              | WARDROBE LAMP SWITCH                                   | WARDROBE LAMP               |
| PH<br>14 YEL              | AISLE LAMPS SWITCH                                     | AISLE LAMPS                 |
| PJ<br>14 YEL              | PORCH LAMP SWITCH                                      | PORCH LAMP                  |
| PK<br>14 YEL              | STRIP LAMP SWITCH                                      | STRIP LAMP                  |
| PL<br>14 YEL              | FRONT CEILING LAMP SWITCH                              | FRONT CEILING LAMP          |
| PM<br>14 WHT              | COACH LIGHTING CIRCUIT #6<br>(REF NM)                  | GROUND                      |

| WIRE IDENTIFICATION CHART |   |  |
|---------------------------|---|--|
| CODE/COLOR                | FROM:   | TO:                                      |
| PN<br>16 WHT              | RIGHT POWER MIRROR<br>(COMMON,BLK)              | POWER MIRROR CONTROL SWITCH              |
| PP<br>16 YEL              | RIGHT POWER MIRROR<br>(HORIZONTAL CONTROL,YEL)  | POWER MIRROR CONTROL SWITCH              |
| PR<br>16 YEL              | RIGHT POWER MIRROR<br>(VERTICAL CONTROL,WHT)    | POWER MIRROR CONTROL SWITCH              |
| PS<br>14 YEL              | MAP LAMP SWITCH                                 | MAP LAMP                                 |
| PT<br>14 YEL              | BEVERAGE TRAY LAMP SWITCH                       | BEVERAGE TRAY LAMP                       |
| PU<br>14 YEL              | DUMP LAMP SWITCH                                | DUMP LAMP                                |
| PW<br>14 YEL              | OVERCURRENT PROTECTION<br>(15A BREAKER TYPICAL) | POWER DOOR LOCK/UNLOCK RELAY<br>(PIN 30) |
| PX<br>16 YEL              | POWER DOOR LOCK SWITCH<br>(LOCK) (PIN 1)        | POWER DOOR LOCK RELAY<br>(PIN 86)        |
| PY<br>16 YEL              | POWER DOOR LOCK SWITCH<br>(UNLOCK) (PIN 5)      | POWER DOOR UNLOCK RELAY<br>(PIN 86)      |
| RA<br>14 YEL              | VEHICLE LEFT FRONT TURN<br>SIGNAL CIRCUIT       | LEFT FRONT TURN<br>SIGNAL/MARKER LAMP    |
| RB<br>14 YEL              | VEHICLE RIGHT FRONT TURN<br>SIGNAL CIRCUIT      | RIGHT FRONT TURN<br>SIGNAL/MARKER LAMP   |
| RC<br>14 WHT              | FRONT AUTOMOTIVE LAMPS(TURN,<br>MARKER,ETC)     | GROUND                                   |
| RD<br>14 YEL              | OVERCURRENT PROTECTION<br>(15 A FUSE TYPICAL)   | HAZARD FLASHER, HORN RELAY               |
| RE<br>12 YEL              | RADIATOR FAN RELAY#1<br>(COMMON)                | RADIATOR FAN #1                          |
| RF<br>12 YEL              | RADIATOR FAN RELAY #2<br>(COMMON)               | RADIATOR FAN #2                          |
| RG<br>14 WHT              | RADIATOR FAN THERMOSTAT<br>SWITCH               | RADIATOR FAN RELAYS<br>(COILS, TRIGGER)  |
| RH<br>12YEL(BLK)          | OVERCURRENT PROTECTION<br>(25A BREAKER TYPICAL) | RADIATOR FAN RELAY #1<br>(NORMALLY OPEN) |
| RJ<br>12YEL(BLK)          | OVERCURRENT PROTECTION<br>(25A BREAKER TYPICAL) | RADIATOR FAN RELAY #2<br>(NORMALLY OPEN) |
| RK<br>12 WHT              | RADIATOR FAN #1                                 | GROUND                                   |

| WIRE IDENTIFICATION CHART |  |   |
|---------------------------|--|---|
| CODE/COLOR                | FROM:  | TO:   |
| RL<br>12 WHT              | RADIATOR FAN #2  | GROUND  |
| RM<br>14 WHT              | VEHICLE IGNITION SWITCH GROUND<br>DURING START CIRCUIT | BULB CHECK(LOW TAG AIR,PARK<br>BRAKE,ETC)                   |
| RN<br>14 YEL              | AUTOMOTIVE AIR CONDITIONER<br>THERMOSTAT CUTOFF SWITCH | AUTOMOTIVE AIR CONDITIONER<br>COMPRESSOR CLUTCH             |
| RP<br>14 YEL              | AUTOMOTIVE AIR CONDITIONER<br>COOLANT FAN CONTROL      | COOLANT FAN RELAY   |
| RR<br>14 YEL              | BRAKE LAMP SWITCH                                      | TURN SIGNAL SWITCH  |
| RS<br>14 YEL              | HEADLAMP SWITCH INSTRUMENT<br>PANEL LAMP FEED SWITCH   | OVERCURRENT PROTECTION<br>(5A FUSE TYPICAL)                 |
| RT<br>14 YEL              | HORN RELAY<br>(COMMON)                                 | HORN  |
| RU<br>14 YEL              | HORN RELAY<br>(COIL)                                   | HORN SWITCH   |
| RW<br>14 YEL              | HAZARD FLASHER   | TURN SIGNAL SWITCH  |
| RX<br>14 YEL              | EUL WARNING LAMP                                       | EUL MODULE  |
| RY<br>14 WHT              | INSTRUMENT CLUSTER/<br>EUL MODULE                      | GROUND  |
| SA<br>14 YEL              | ENGINE WATER TEMPERATURE<br>SENDER                     | ENGINE WATER TEMPERATURE GAUGE                              |
| SB<br>14 YEL              | ENGINE OIL PRESSURE SENDER                             | ENGINE OIL PRESSURE GAUGE                                   |
| SC<br>14 YEL              | VEHICLE RIGHT REAR TURN<br>SIGNAL/BRAKE LAMP CIRCUIT   | RIGHT REAR TURN SIGNAL/<br>BRAKE LAMPS                      |
| SD<br>14 YEL              | VEHICLE LEFT REAR TURN<br>SIGNAL/BRAKE LAMP CIRCUIT    | LEFT REAR TURN SIGNAL/<br>BRAKE LAMPS                       |
| SE<br>16YEL(WHT)          | SPEED SENSOR<br>(TWISTED PAIR)                         | SPEEDOMETER AND SPEED<br>CONTROL MODULE                     |
| SF<br>16WHT(BLK)          | SPEED SENSOR<br>(TWISTED PAIR)                         | SPEEDOMETER AND SPEED<br>CONTROL MODULE                     |
| SG<br>14 YEL              | IGNITION SWITCH START FEED                             | GENERAL(NEUTRAL SAFETY SWITCH,<br>FUEL PUMP RELAY COIL,ETC) |
| SH<br>14 YEL              | IGNITION SWITCH RUN/START FEED                         | GENERAL(IGNITION COIL RELAY<br>NORMALLY OPEN CONTACT,ETC)   |

| WIRE IDENTIFICATION CHART |   |  |
|---------------------------|---|--|
| CODE/COLOR                | FROM:   | TO:  |
| SJ<br>12YEL(BLK)          | OVERCURRENT PROTECTION<br>(16GA FUSELINK TYPICAL) | CHASSIS BATTERY FEED   |
| SK<br>12YEL(WHT)          | OVERCURRENT PROTECTION<br>(16GA FUSELINK TYPICAL) | CHASSIS BATTERY HEADLAMP<br>SWITCH FEED #1                       |
| SL<br>12YEL(BLU)          | OVERCURRENT PROTECTION<br>(16GA FUSELINK TYPICAL) | CHASSIS BATTERY IGNITION<br>SWITCH FEED #1                       |
| SM<br>12YEL(BLK)          | OVERCURRENT PROTECTION<br>(16GA FUSELINK TYPICAL) | RADIATOR FAN #1 CIRCUIT<br>BREAKER FEED                          |
| SN<br>12YEL(BLK)          | OVERCURRENT PROTECTION<br>(16GA FUSELINK TYPICAL) | RADIATOR FAN #2 CIRCUIT<br>BREAKER FEED                          |
| SP<br>14 YEL              | HEADLAMP SWITCH MARKER<br>CIRCUIT FEED            | OVERCURRENT PROTECTION<br>(15A FUSE TYPICAL)                     |
| SR<br>12YEL(BRN)          | IGNITION SWITCH RUN ONLY<br>FEED                  | OVERCURRENT PROTECTION<br>(15A FUSE TYPICAL)                     |
| SS<br>12YEL(WHT)          | IGNITION SWITCH ACCESSORY<br>FEED                 | OVERCURRENT PROTECTION<br>(15A FUSE TYPICAL)                     |
| ST<br>14 YEL              | OVERCURRENT PROTECTION<br>(15A FUSE TYPICAL)      | TURNS/BACK UP CIRCUIT FEED                                       |
| SU                        | STARTER SOLENOID<br>BATTERY TERMINAL              | ALTERNATOR BATTERY TERMINAL                                      |
| SW<br>14 YEL              | TURN SIGNAL FLASHER                               | TURN SIGNAL SWITCH   |
| SX<br>14 YEL              | REAR WINDOW WASHER SWITCH                         | REAR WINDOW WASHER BOTTLE PUMP                                   |
| SY<br>14 YEL              | IGNITION COIL                                     | TACHOMETER   |
| TA<br>14 YEL              | OVERCURRENT PROTECTION<br>(15A FUSE TYPICAL)      | IGNITION RUN ONLY GENERAL FEED<br>(RADIATOR FAN RELAY COIL,ETC)  |
| TB<br>12 YEL              | OVERCURRENT PROTECTION<br>(25A FUSE TYPICAL)      | IGNITION RUN ONLY GENERAL FEED<br>(AUTO AC BLOWER(NOT HIGH),ETC) |
| TC<br>14 YEL              | OVERCURRENT PROTECTION<br>(15A FUSE TYPICAL)      | IGNITION RUN ONLY GENERAL FEED<br>(DOOR LOCKS,REAR WIPER,ETC.)   |
| TD<br>14 YEL              | OVERCURRENT PROTECTION<br>(15A FUSE TYPICAL)      | CHASSIS BATTERY GENERAL FEED                                     |
| TE<br>16 WHT              | GENERATOR   | GENERATOR LOW OIL<br>INDICATOR LAMP                              |
| TF<br>16 YEL              | GENERATOR   | GENERATOR LOW OIL<br>INDICATOR LAMP                              |

| WIRE IDENTIFICATION CHART |  |  |
|---------------------------|--|--|
| CODE/COLOR                | FROM:  | TO:  |
| TG<br>16 YEL              | TELEVISION   | SPEAKER RIGHT<br>(POSITIVE)                            |
| TH<br>16 WHT              | TELEVISION   | SPEAKER RIGHT<br>(NEGATIVE)                            |
| TJ<br>16 YEL              | TELEVISION   | SPEAKER LEFT<br>(POSITIVE)                             |
| TK<br>16 WHT              | TELEVISION   | SPEAKER LEFT<br>(NEGATIVE)                             |
| TL<br>16 YEL              | FRONT RIGHT TV SPEAKER<br>NEGATIVE,SERIES CONNECTION | FRONT LEFT TV SPEAKER<br>POSITIVE,SERIES CONNECTION    |
| TM<br>16 WHT              | STEP COVER SWITCH                                    | STEP COVER SOLENOID<br>MOVES STEP OUT                  |
| TN<br>14 YEL              | STARTER SOLENOID<br>BATTERY TERMINAL                 | ALTERNATOR REGULATOR                                   |
| TP<br>14 WHT              | REAR AUTOMOTIVE LAMPS(TURN,<br>MARKER,ETC)           | GROUND   |
| TR<br>14 YEL              | VEHICLE BACK UP CIRCUIT FEED                         | BACK UP LAMPS  |
| TS<br>14 YEL              | STARTER SOLENOID<br>(I TERMINAL)                     | ENGINE WIRING<br>(IGNITION MODULE)                     |
| TT<br>14 YEL              | NEUTRAL SAFETY SWITCH                                | STARTER SOLENOID<br>(S TERMINAL)                       |
| TU<br>14 WHT              | IGNITION COIL RELAY<br>(COIL)                        | GROUND   |
| TW<br>14 YEL              | IGNITION SWITCH START/RUN FEED                       | IGNITION COIL  |
| TX<br>14 YEL              | IGNITION COIL RELAY<br>(COMMON)                      | IGNITION COIL  |
| TY<br>14 YEL              | ALTERNATOR<br>(T TERMINAL)                           | CHOKE HEATER   |
| UA<br>14 YEL              | FUEL PUMP FUSE                                       | OIL PRESSURE CUTOUT SWITCH/<br>FUEL PUMP RELAY(NO),ETC |
| UB<br>14 YEL              | INERTIA SWITCH<br>(FUEL PUMP SHUTOFF)                | FUEL PUMP RELAY<br>(NORMALLY CLOSED)                   |
| UC<br>14 YEL              | FUEL PUMP RELAY<br>(COMMON)                          | FUEL PUMP  |
| UD<br>16 WHT              | FUEL GAUGE   | FUEL SENDER  |

| WIRE IDENTIFICATION CHART |   |   |
|---------------------------|---|---|
| CODE/COLOR                | FROM:   | TO:   |
| UE<br>14 YEL              | INERTIA SWITCH<br>(FUEL PUMP SHUTOFF)           | OIL PRESSURE CUTOFF SWITCH                        |
| UF<br>14 WHT              | FUEL PUMP                                       | GROUND  |
| UG<br>14 WHT              | FUEL PUMP RELAY<br>(COIL)                       | GROUND  |
| UH<br>16 YEL              | LP DETECTOR<br>(SHUTOFF SYSTEM,YEL)             | LP SAFETY VALVE                                   |
| UJ<br>16 YEL              | LP DETECTOR<br>(SHUTOFF SYSTEM,YEL)             | LP SAFETY SWITCH                                  |
| UK<br>16 WHT              | LP DETECTOR<br>(BLK)(REF WB)                    | GROUND  |
| UL<br>16 WHT              | EUL LAMP  | EUL MODULE  |
| UM<br>16 WHT              | DOOR JAMB DOME LAMP SWITCH                      | GROUND  |
| UN<br>16 WHT              | SEAT BELT LAMP                                  | EUL MODULE  |
| UP<br>16 YEL              | SEAT BELT LAMP                                  | SEAT BELT BUZZER                                  |
| UR<br>16 WHT              | PARK BRAKE SWITCH                               | PARK BRAKE LAMP                                   |
| US<br>16 YEL              | OVERCURRENT PROTECTION<br>(6A BREAKER TYPICAL)  | COACH BATTERY FEED TO BATTERY<br>CONDITION SWITCH |
| UT<br>14 YEL              | DOOR JAMB DOME LAMP SWITCH<br>(SWITCH POSITIVE) | DOME LAMP   |
| UU<br>16 YEL              | WATER HEATER                                    | VACUUM VALVE SOLENOID                             |
| UW<br>16 WHT              | VACUUM VALVE SOLENOID                           | GROUND  |
| UX<br>16 YEL              | LP DETECTOR #2<br>(SHUTOFF SYSTEM,YEL)          | LP SAFETY VALVE                                   |
| UY<br>16 YEL              | LP DETECTOR #2<br>(SHUTOFF SYSTEM,YEL)          | LP SAFETY VALVE                                   |
| WA<br>14 YEL              | EXTERIOR SERVICE LAMP SWITCH                    | EXTERIOR SERVICE LAMP                             |
| WB<br>16 YEL              | OVERCURRENT PROTECTION<br>(6A BREAKER TYPICAL)  | LP DETECTOR<br>(REF UK)                           |

| WIRE IDENTIFICATION CHART |   |  |
|---------------------------|---|--|
| CODE/COLOR                | FROM:   | TO:  |
| WC<br>14 YEL              | DDVRCURRENT PROTECTION<br>(15A BREAKER TYPICAL) | COMPARTMENT LAMPS<br>(REF WE)                      |
| WD<br>14 WHT              | AISLE LAMPS                                     | GROUND   |
| WE<br>14 WHT              | COMPARTMENT LAMPS<br>(REF WC)                   | GROUND   |
| WF<br>12YEL(WHT)          | OVERCURRENT PROTECTION<br>(30A BREAKER TYPICAL) | PARK BRAKE COMPRESSOR SOENOID                      |
| WG<br>12YEL(BLK)          | OVERCURRENT PROTECTION<br>(30A BREAKER TYPICAL) | IGNITION RELAY                                     |
| WH<br>14 YEL              | OVERCURRENT PROTECTION<br>(15A BREAKER TYPICAL) | IGNITION SWITCH RUN ONLY FEED                      |
| WJ<br>12 YEL              | OVERCURRENT PROTECTION<br>(20A BREAKER TYPICAL) | IGNITION SWITCH ACCESSORY<br>FEED RELAY            |
| WK<br>14 YEL              | OVERCURRENT PROTECTION<br>(15A BREAKER TYPICAL) | IGNITION SWITCH ACCESSORY<br>FEED                  |
| WL<br>14 YEL              | POWER DOOR LOCK RELAY<br>(PIN 30)               | POWER DOOR LOCK MOTOR(S)<br>(LOCK)                 |
| WM<br>14 WHT              | POWER DOOR UNLOCK RELAY<br>(PIN 30)             | POWER DOOR LOCK MOTOR(S)<br>(UNLOCK)               |
| WN<br>16 YEL              | RADIO POWER SWITCH<br>(ACCESSORY POWER)         | DASH RADIO<br>(ACCESSORY POWER)                    |
| WP<br>10 YEL              | OVERCURRENT PROTECTION<br>(25A BREAKER TYPICAL) | FRONT PANEL LOADS(INVERTER,<br>RADIO)(96 M-SERIES) |
| WR<br>14 YEL              | OVERCURRENT PROTENTION<br>(15A BREAKER TYPICAL) | POWER SEAT LIFT SWITCH                             |
| WS<br>14 WHT              | POWER SEAT LIFT SWITCH                          | GROUND   |
| WT<br>14 YEL              | POWER SEAT LIFT SWITCH<br>(UP)                  | MOTOR<br>(POSITIVE UP)                             |
| WU<br>14 WHT              | POWER SEAT LIFT SWITCH<br>(DOWN)                | MOTOR<br>(POSITIVE DOWN)                           |
| WW<br>14 WHT              | SPOT LAMP SWITCH                                | GROUND   |
| WX<br>14 YEL              | HALLWAY CEILING LAMP SWITCH                     | HALLWAY CEILING LAMP                               |
| WY<br>10 WHT              | AUTOMOTIVE AIR CONDITIONER<br>MOTOR             | GROUND   |

| WIRE IDENTIFICATION CHART |  |  |
|---------------------------|--|--|
| CODE/COLOR                | FROM:  | TO:  |
| XA<br>12/10 YEL           | VEHICLE AUTOMOTIVE AIR<br>FEED CIRCUIT               | AUTOMOTIVE AIR CONDITIONER<br>BLOWER (USE 10 IF OVER 6')     |
| XB<br>14 YEL              | DRIVER'S DOOR POWER WINDOW<br>SWITCH(PIN 5)          | DRIVER'S DOOR POWER<br>WINDOW MOTOR(POSITIVE UP)             |
| XC<br>14 WHT              | DRIVER'S DOOR POWER WINDOW<br>SWITCH(PIN 1)          | DRIVER'S DOOR POWER<br>WINDOW MOTOR(POSITIVE DOWN)           |
| XD<br>16 WHT              | MONITOR PANEL  | HOLDING TANK LEVEL SENSOR<br>(FULL)                          |
| XE<br>16 WHT              | MONITOR PANEL  | HOLDING TANK LEVEL SENSOR<br>(3/4)                           |
| XF<br>16 WHT              | MONITOR PANEL  | HOLDING TANK LEVEL SENSOR<br>(1/2)                           |
| XG<br>16 WHT              | MONITOR PANEL  | HOLDING TANK LEVEL SENSOR<br>(1/4)                           |
| XH<br>16 YEL              | MONITOR PANEL  | WATER TANK LEVEL SENSOR                                      |
| XJ<br>16 YEL              | MONITOR PANEL  | BLACK HOLDING LEVEL SENSOR<br>(MAIN TANK)                    |
| XK<br>16 YEL              | MONITOR PANEL  | GRAY AUXILIARY HOLDING TANK #1<br>LEVEL SENSOR (AUX TANK #1) |
| XL<br>16 YEL              | MONITOR PANEL  | GRAY AUXILIARY HOLDING TANK #2<br>LEVEL SENSOR (AUX TANK #2) |
| XM<br>14 YEL              | OVERCURRENT PROTECTION<br>(18GA FUSELINK TYPICAL)    | IGNITION START RELAY   |
| XN<br>16 YEL              | FRONT ROOF AIR CONDITIONER<br>(EXHAUST)              | THERMOSTAT<br>(EX TERMINAL)                                  |
| XP<br>16 YEL              | FRONT ROOF AIR CONDITIONER<br>(COOL)                 | THERMOSTAT<br>(Y TERMINAL)(Y EXPORT AIR)                     |
| XR<br>16 YEL              | FRONT ROOF AIR CONDITIONER<br>(HIGH SPEED BLOWER)    | THERMOSTAT<br>(GH TERMINAL)(H EXPORT AIR)                    |
| XS<br>16 YEL              | FRONT ROOF AIR CONDITIONER<br>(LOW SPEED BLOWER)     | THERMOSTAT<br>(GL TERMINAL)(G EXPORT AIR)                    |
| XT<br>14 YEL              | IGNITION START RELAY #1<br>(NORMALLY CLOSED CONTACT) | IGNITION START RELAY #2<br>(COMMON CONTACT)                  |
| XU<br>14 YEL              | DINETTE OVHD LAMP SWITCH                             | DINETTE OVHD LAMP  |
| XW<br>14 WHT              | IGNITION SWITCH ACCESSORY<br>FEED RELAY CIRCUIT      | GROUND   |

| WIRE IDENTIFICATION CHART |   |   |
|---------------------------|---|---|
| CODE/COLOR                | FROM:   | TO:   |
| XX<br>14 YEL              | GALLEY LAMP SWITCH                                  | GALLEY LAMP   |
| XY<br>14 YEL              | MAKE UP LAMP #2 SWITCH                              | MAKE UP LAMP #2                                     |
| YA<br>14 YEL              | TAG AXLE PRESSURE<br>CONTROL SWITCH                 | COMPRESSOR SOLENOID/<br>SOLENOID AIR VALVE          |
| YB<br>14 WHT              | LOW AIR PRESSURE SWITCH                             | GROUND  |
| YC<br>10YEL(BLU)          | OVERCURRENT PROTECTION<br>(30A BREAKER TYPICAL)     | TAG AXLE COMPRESSOR SOLENOID                        |
| YD<br>14 WHT              | TAG AXLE MOUNTING<br>PLATE SCREW                    | GROUND  |
| YE<br>10 WHT              | TAG AXLE COMPRESSOR                                 | GROUND  |
| YF<br>12 WHT              | TAG AXLE BRAKE CONTROL<br>MODULE/BRAKE MAGNET       | GROUND  |
| YG<br>12YEL(BLK)          | OVERCURRENT PROTECTION<br>(20A BREAKER TYPICAL)     | TAG AXLE BRAKE CONTROL MODULE                       |
| YH<br>12YEL(BLU)          | TAG AXLE BRAKE CONTROL MODULE                       | TAG AXLE BRAKE MAGNET                               |
| YJ<br>10YEL(WHT)          | TAG AXLE COMPRESSOR SOLENOID                        | TAG AXLE COMPRESSOR                                 |
| YK<br>14 YEL              | BEDROOM CEILING LAMP SWITCH#1<br>(2 SWITCH SYSTEM)  | BEDROOM CEILING LAMP SWITCH #2<br>(2 SWITCH SYSTEM) |
| YL<br>14 YEL              | BEDROOM CEILING LAMP SWITCH #1<br>(2 SWITCH SYSTEM) | BEDROOM CEILING LAMP SWITCH #2<br>(2 SWITCH SYSTEM) |
| YM<br>14 YEL              | HALLWAY CEILING LAMP SWITCH #1<br>(2 SWITCH SYSTEM) | HALLWAY CEILING LAMP SWITCH #2<br>(2 SWITCH SYSTEM) |
| YN<br>14 YEL              | HALLWAY CEILING LAMP SWITCH #1<br>(2 SWITCH SYSTEM) | HALLWAY CEILING LAMP SWITCH #2<br>(2 SWITCH SYSTEM) |
| YP<br>14 YEL              | VALANCE LAMP SWITCH #1<br>(3 WAY SWITCH)            | VALANCE LAMP SWITCH #2<br>(3 WAY SWITCH)            |
| YR<br>14 YEL              | VALANCE LAMP SWITCH #1<br>(3 WAY SWITCH)            | VALANCE LAMP SWITCH #2<br>(3 WAY SWITCH)            |
| YS<br>14 YEL              | VALANCE LAMP SWITCH                                 | VALANCE LAMP  |
| YT<br>14 YEL              | FRONT VALANCE LAMP SWITCH                           | FRONT VALANCE LAMP                                  |

| WIRE IDENTIFICATION CHART |   |   |
|---------------------------|---|---|
| CODE/COLOR                | FROM:   | TO:   |
| YU<br>14 YEL              | REAR VALANCE LAMP SWITCH                                    | REAR VALANCE LAMP                                 |
| YW<br>14 WHT              | DOOR BELL SWITCH  | DOOR BELL   |
| YX<br>14 YEL              | IGNITION SWITCH RUN/START FEED                              | ALTERNATOR WARNING LAMP                           |
| YY<br>14 YEL              | ALTERNATOR VOLTAGE REGULATOR                                | ALTERNATOR WARNING LAMP                           |
| AAA<br>16 WHT             | STEP COVER SWITCH<br>(REF GX)                               | STEP COVER SOLENOID<br>MOVES STEP IN              |
| AAB<br>14 YEL             | DINETTE READING LAMPS                                       | DINETTE READING LAMP SWITCH                       |
| AAC<br>14 YEL             | LOUNGE READING LAMPS  | LOUNGE READING LAMP SWITCH                        |
| AAD<br>14 YEL             | FORD CHASSIS TRAILER MARKER<br>LAMP CIRCUIT (BR/WHT)        | TRAILER CONNECTOR SOCKET<br>MARKER LAMPS          |
| AAE<br>14 YEL             | FORD CHASSIS TRAILER BACKUP<br>LAMP CIRCUIT (BLK/LT GRN)    | TRAILER CONNECTOR SOCKET<br>BACKUP LAMPS          |
| AAF<br>14 YEL             | FORD CHASSIS TRAILER LEFT<br>TURN/BRAKE LAMP CIRCUIT (YEL)  | TRAILER CONNECTOR SOCKET<br>LEFT TURN/BRAKE LAMP  |
| AAG<br>14 YEL             | FORD CHASSIS TRAILER RIGHT<br>TURN/BRAKE LAMP CIRCUIT (DKG) | TRAILER CONNECTOR SOCKET<br>RIGHT TURN/BRAKE LAMP |
| AAH<br>14 YEL             | BATH-VENT, POWER  | BATH-VENT, THERMOSTAT                             |
| AAJ<br>14 YEL             | BATH-VENT, POWER  | BATH-VENT, THERMOSTAT                             |
| AAK<br>16 WHT             | SWITCH-WATER PUMP<br>(MULTIPLEX SYSTEM)                     | LATCHING RELAY<br>(WITH 4 OR MORE SWITCHES)       |
| AAL<br>16 WHT             | SWITCH-WATER PUMP<br>(MULTIPLEX SYSTEM)                     | GROUND  |
| AAM<br>14 YEL             | CHASSIS SUPPLIED WIRE ASM<br>(DARK BLUE) (GM)               | RIGHT TAIL LAMP PARK<br>(WIE)                     |
| AAN<br>14 YEL             | CHASSIS SUPPLIED WIRE ASM<br>(PURPLE) (GM)                  | LEFT TAIL LAMP PARK<br>(WIE)                      |
| AAP<br>10 YEL             | 55 AMP BREAKER<br>JUMPER WIRE                               | 30 AMP BREAKER                                    |
| AAR<br>14 YEL             | TV/RADIO SPEAKER FEED<br>SELECTOR SWITCH                    | TV SPEAKER AMPLIFIER                              |

| WIRE IDENTIFICATION CHART |   |  |
|---------------------------|---|--|
| CODE/COLOR                | FROM:   | TO:  |
| AAS<br>16 YEL             | SPEAKER (NEGATIVE)<br>SPEAKERS IN SERIES          | SPEAKER (POSITIVE)                         |
| AAT<br>16 YEL             | AMPLIFIER POSITIVE OUT<br>(AAU NEGATIVE)          | FRONT WOOFER<br>(WITH DELUXE SOUND SYSTEM) |
| AAU<br>16 WHT             | AMPLIFIER NEGATIVE OUT<br>(AAT POSITIVE)          | FRONT WOOFER<br>(WITH DELUXE SOUND SYSTEM) |
| AAW<br>16 YEL             | AMPLIFIER POSITIVE OUT<br>(AAX NEGATIVE)          | REAR WOOFER<br>(WITH DELUXE SOUND SYSTEM)  |
| AAX<br>16 WHT             | AMPLIFIER NEGATIVE OUT<br>(AAW POSITIVE)          | REAR WOOFER<br>(WITH DELUXE SOUND SYSTEM)  |
| AAZ<br>12 YEL             | SLIDEOUT ROOM CONTROL SWITCH<br>(RAM #1)          | SLIDEOUT DRIVE MOTOR<br>LEAD #1            |
| AAZ<br>12 YEL             | SLIDEOUT ROOM CONTROL SWITCH<br>(RAM #1)          | SLIDEOUT DRIVE MOTOR<br>LEAD #2            |
| BBA<br>16 WHT             | SLIDEOUT WIRING<br>(PARK BRAKE SW) (SWITCHED GRD) | SLIDEOUT ROOM RELAY<br>(GROUND TERMINAL)   |
| BBB<br>16 YEL             | SLIDEOUT ROOM CIRCUIT BREAKER<br>(6 AMP)          | SLIDEOUT ROOM RELAY<br>(PIN 86 & 87)       |
| BBC<br>16 YEL             | LOAD SHEDDER MONITOR PANEL<br>(RED WIRE)          | LOAD SHEDDER CONTROL BOARD<br>(RED WIRE)   |
| BBD<br>16 YEL             | LOAD SHEDDER MONITOR PANEL<br>(BLUE WIRE)         | LOAD SHEDDER CONTROL BOARD<br>(BLUE WIRE)  |
| BBE<br>16 YEL             | LOAD SHEDDER MONITOR PANEL<br>(BLACK WIRE)        | LOAD SHEDDER CONTROL BOARD<br>(BLACK WIRE) |
| BBF<br>16 YEL             | LOAD SHEDDER MONITOR PANEL<br>(GRAY WIRE)         | LOAD SHEDDER CONTROL BOARD<br>(GRAY WIRE)  |
| BBG<br>14 YEL             | DINETTE CEILING LAMP SWITCH                       | DINETTE CEILING LAMP                       |
| BBH<br>16 YEL             | REAR COMPRESSOR SIGNAL<br>REAR THERMOSTAT         | LOAD SHEDDER CONTROL BOARD                 |
| BBJ<br>16 YEL             | LOAD SHEDDER CONTROL BOARD                        | REAR A/C<br>(COOL)                         |
| BBK<br>12 WHT             | JET AIR/TAG AXLE WIRING                           | GROUND, CHASSIS                            |
| BBL<br>14 YEL             | OVHD SWITCH                                       | OVHD HALOGEN LAMPS                         |
| BBM<br>16 YEL             | SLIDEOUT ROOM SWITCH<br>(ROOM TWO EXTEND)         | HWH WIRING<br>(ROOM TWO EXTEND)            |

| WIRE IDENTIFICATION CHART |  |  |
|---------------------------|--|--|
| CODE/COLOR                | FROM:  | TO:  |
| BBN<br>16 YEL             | SLIDEOUT ROOM SWITCH<br>(ROOM TWO RETRACT)           | HWH WIRING<br>(ROOM TWO RETRACT)                 |
| BBP<br>14 YEL             | ICC COURTESY BLINK SWITCH                            | ICC COURTESY BLINK RELAY                         |
| BBR<br>14 YEL             | ICC COURTESY BLINK RELAY                             | CLEARANCE LAMPS                                  |
| BBS<br>14 YEL             | CHASSIS FUSE PANEL                                   | ICC COURTESY BLINK RELAY                         |
| BBT<br>14 YEL             | DOCKING LAMP SWITCH<br>TRIGGER RELAY                 | DOCKING LAMP SWITCH                              |
| BBU<br>12 YEL             | DOCKING LAMP CIRCUIT BREAKER                         | DOCKING LAMP RELAY                               |
| BBW<br>14 YEL             | VEHICLE LEFT HEADLAMP LOW<br>BEAM CIRCUIT            | LEFT LOW BEAM LAMP                               |
| BBX<br>14 YEL             | VEHICLE RIGHT HEADLAMP LOW<br>BEAM CIRCUIT           | RIGHT LOW BEAM LAMP                              |
| BBY<br>14 YEL             | SWITCH-MONITOR PANEL<br>(IN EXT. WATER CENTER)       | EXTERIOR MONITOR PANEL<br>(IN EXT. WATER CENTER) |
| BBZ<br>14 YEL             | OVERCURRENT PROTECTION<br>(15A FUSE/BREAKER TYPICAL) | AUXILIARY FURNACE<br>(CCA)                       |
| CCA<br>14 WHT             | AUXILIARY FURNACE                                    | GROUND   |
| CCB<br>16 YEL             | EXTERIOR MONITOR PANEL                               | WATER TANK LEVEL SENSOR                          |
| CCC<br>16 YEL             | EXTERIOR MONITOR PANEL                               | MAIN HOLDING TANK<br>LEVEL SENSOR                |
| CCD<br>16 YEL             | EXTERIOR MONITOR PANEL                               | AUX HOLDING TANK<br>LEVEL SENSOR                 |
| CCE<br>14 YEL             | COMPARTMENT LAMP SWITCH                              | COMPARTMENT LAMP                                 |
| CCF<br>14 YEL             | COMPARTMENT LAMP SWITCH                              | COMPARTMENT LAMP                                 |
| CCG<br>14 YEL             | COMPARTMENT LAMP SWITCH                              | COMPARTMENT LAMP                                 |
| CCH<br>14 YEL             | COMPARTMENT LAMP SWITCH                              | COMPARTMENT LAMP                                 |
| CCJ<br>14 YEL             | COMPARTMENT LAMP SWITCH                              | COMPARTMENT LAMP                                 |

| WIRE IDENTIFICATION CHART |   |  |
|---------------------------|---|--|
| CODE/COLOR                | FROM:   | TO:  |
| CCK<br>14 YEL             | COMPARTMENT LAMP SWITCH                             | COMPARTMENT LAMP                                   |
| CCL<br>14 YEL             | COMPARTMENT LAMP SWITCH                             | COMPARTMENT LAMP                                   |
| CCM<br>14 YEL             | COMPARTMENT LAMP SWITCH                             | COMPARTMENT LAMP                                   |
| CCN<br>16 YEL             | THERMOSTATE LOW SPEED<br>FAN SIGNAL                 | CENTRAL AIR AND LOAD<br>SHEDDER                    |
| CCP<br>16 YEL             | LOAD SHEDDER COMPRESSOR<br>TWO CONTROL RELAY        | CENTRAL A/C COMPRESSOR<br>TWO                      |
| CCR<br>14 YEL             | SWITCH-MONITOR PANEL<br>(IN EXT. WATER CENTER)      | EXTERIOR MONITOR PANEL<br>(IN EXT. WATER CENTER)   |
| CCS<br>16 YEL             | NOISE FILTER  | RADIO POWER INPUT                                  |
| CCT<br>16 YEL             | REAR RIGHT TV SPEAKER<br>NEGATIVE,SERIES CONNECTION | REAR LEFT TV SPEAKER<br>POSITIVE,SERIES CONNECTION |
| CCU<br>16 YEL             | GM DOME LAMP POWER                                  | DOME LAMP  |
| CCW<br>12 YEL             | DUAL MODE SOLENOID<br>(CHASSIS SIDE)                | FUSE HOLDER<br>(30 AMP)                            |
| CCX<br>16 YEL             | ORG WIRE ON AIR COMPRESSOR                          | AIR PRESSURE SWITCH ON<br>AIR TANK                 |
| CCY<br>16 YEL             | HWH WIRING<br>(BATTERY POWER)                       | SLIDEOUT ROOM SWITCH<br>(POSITIVE)                 |
| CCZ<br>16 YEL             | HWH WIRING<br>(SWITCHED BATTERY POWER)              | SLIDEOUT ROOM #1 SWITCH<br>(POSITIVE)              |
| DDA<br>16 YEL             | HWH WIRING<br>(PUMP RELAY CONTROL)                  | SLIDEOUT ROOM SWITCH<br>(POSITIVE)                 |
| ddb<br>14 YEL             | REAR AUTO HEATER<br>CIRCUIT BREAKER                 | REAR AUTO HEATER<br>RELAY (POWER)                  |
| DDC<br>14 YEL             | REAR AUTO HEATER<br>RELAY (SWITCHED POWER)          | REAR AUTO HEATER SWITCH<br>(COMMON TERMINAL)       |
| DDD<br>14 YEL             | MODULE-CHARGE CONTROL<br>RELAY OUTPUT               | AUX-START SOLENOID RELAY                           |
| DDE<br>14 YEL             | AUX-START SOLENOID RELAY                            | AUX-START SOLENOID                                 |
| DDF<br>10 YEL             | HEATER BLOWER<br>CIRCUIT BREAKER                    | HEATER BLOWER RELAY                                |

| WIRE IDENTIFICATION CHART |  |   |
|---------------------------|--|---|
| CODE/COLOR                | FROM:  | TO:   |
| DDG<br>10 YEL             | CIRCUIT BREAKER<br>BUSS BAR                      | CHASSIS BATTERY FEED<br>CIRCUIT BREAKER             |
| DDH<br>14 YEL             | FREIGHTLINER RUN ONLY<br>TRIGGER CIRCUIT         | HEATER BLOWER RELAY                                 |
| DDJ<br>16 WHT             | CHASSIS PARKING BRAKE<br>TRIGGER CIRCUIT         | LEVELING SYSTEM PARKING<br>BRAKE SENSOR WIRE        |
| DDK<br>16 YEL             | HWH WIRING<br>(PUMP RELAY CONTROL)               | REAR SLIDEOUT ROOM SWITCH<br>(POSITIVE)             |
| DDL<br>14 WHT             | FRONT LEFT AUTOMOTIVE<br>LAMPS                   | GROUND  |
| DDM<br>14 WHT             | FRONT RIGHT AUTOMOTIVE<br>LAMPS                  | GROUND  |
| DDN<br>16 YEL             | TIMER MODULE                                     | CHECK ANTENNA LIGHT                                 |
| DDP<br>12 YEL             | OVERCURRENT PROTECTION<br>(20A BREAKER TYPICAL)  | INVERTER FEED<br>(INVERTER NUMBER 2)                |
| DDR<br>12 WHT             | INVERTER<br>(INVERTER NUMBER 2)                  | GROUND  |
| DDS<br>12 WHT             | INVERTER CHASSIS<br>(INVERTER NUMBER 2)          | GROUND  |
| DDT<br>12 YEL             | POWER COMPT DOOR LOCK RELAY<br>(RIGHT SIDE)      | POWER COMPT DOOR LOCK MOTOR(S)<br>(RIGHT SIDE)      |
| DDU<br>12 WHT             | POWER COMPT DOOR UNLOCK RELAY<br>(RIGHT SIDE)    | POWER COMPT LOCK MOTOR(S)<br>(UNLOCK) (RIGHT SIDE)  |
| DDV<br>12 YEL             | POWER COMPT DOOR LOCK RELAY<br>(LEFT SIDE)       | POWER COMPT LOCK MOTOR(S)<br>(LOCK) (LEFT SIDE)     |
| DDW<br>12 WHT             | POWER COMPT DOOR UNLOCK RELAY<br>(LEFT SIDE)     | POWER COMPT LOCK MOTOR(S)<br>(UNLOCK) (LEFT SIDE)   |
| DDX<br>12 YEL             | OVERCURRENT PROTECTION<br>(20A BREAKER TYPICAL)  | POWER COMPT DOOR LOCK/<br>UNLOCK RELAY (RIGHT SIDE) |
| DDY<br>12 YEL             | OVERCURRENT PROTECTION<br>(20A BREAKER TYPICAL)  | POWER COMPT DOOR LOCK/<br>UNLOCK RELAY (LEFT SIDE)  |
| DDZ<br>12 YEL             | POWER COMPT DOOR LOCK SWITCH<br>(LOCK) (PIN 1)   | POWER COMPT DOOR LOCK RELAY<br>(PIN 86)             |
| EEA<br>12 WHT             | POWER COMPT DOOR LOCK SWITCH<br>(UNLOCK) (PIN 5) | POWER COMPT DOOR UNLOCK RELAY<br>(PIN 86)           |
| EEB<br>12 WHT             | POWER COMPT DOOR LOCK RELAYS<br>(LEFT SIDE)      | GROUND  |

| WIRE IDENTIFICATION CHART |   |  |
|---------------------------|---|--|
| CODE/COLOR                | FROM:   | TO:  |
| EEC<br>12 YEL             | 25 AMP BREAKER<br>IN 12 VOLT PANEL              | SOFA RECLINER SWITCH<br>SOFA 4-WAY RECLINER      |
| EED<br>12 WHT             | SOFA RECLINER SWITCH<br>SOFA 4-WAY RECLINER     | GROUND   |
| EEE<br>14 YEL             | OVERCURRENT PROTECTION<br>(15A BREAKER TYPICAL) | 12V POWER JACK                                   |
| EEF<br>14 WHT             | 12V POWER JACK                                  | GROUND   |
| EEG<br>12 WHT             | POWER COMPT DOOR LOCK RELAYS<br>(RIGHT SIDE)    | GROUND   |
| EEH<br>12 YEL             | SOFA RECLINER SWITCH<br>EXTEND                  | SOFA RECLINER MOTOR<br>SOFA 4-WAY                |
| EEJ<br>12 YEL             | SOFA RECLINER SWITCH<br>RETRACT                 | SOFA RECLINER MOTOR<br>SOFA 4-WAY                |
| EEK<br>18 YEL             | AUDIO AMPLIFIER                                 | LH FRT SPKR (+)                                  |
| EEL<br>18 WHT             | AUDIO AMPLIFIER                                 | LH FRT SPKR (-)                                  |
| EEM<br>18 YEL             | AUDIO AMPLIFIER                                 | RH FRT SPKR (+)                                  |
| EEN<br>18 WHT             | AUDIO AMPLIFIER                                 | RH FRT SPKR (-)                                  |
| EEP<br>18 YEL             | AUDIO AMPLIFIER                                 | LH RR SPKR (+)                                   |
| EER<br>18 WHT             | AUDIO AMPLIFIER                                 | LH RR SPKR (-)                                   |
| EES<br>18 YEL             | AUDIO AMPLIFIER                                 | RH RR SPKR (+)                                   |
| EET<br>18 WHT             | AUDIO AMPLIFIER                                 | RH RR SPKR (-)                                   |
| EEU<br>18 YEL             | AUDIO AMPLIFIER                                 | CTR CHANNEL SPKR (+)                             |
| EEW<br>18 WHT             | AUDIO AMPLIFIER                                 | CTR CHANNEL SPKR (-)                             |
| EEY<br>12/10 YEL          | PASSENGER AUTO A/C<br>FEED CIRCUIT              | PASSENGER AUTO A/C BLOWER<br>(USE 10 IF OVER 6') |
| EEZ<br>10 WHT             | PASSENGER AUTO A/C<br>MOTOR                     | GROUND   |

| WIRE IDENTIFICATION CHART |   |   |
|---------------------------|---|---|
| CODE/COLOR                | FROM:   | TO:   |
| EEZ<br>12/10 YEL          | OVERCURRENT PROTECTION<br>(30A BREAKER TYPICAL) | PASSENGER HI-SPEED HEATER FAN<br>(USER 10 IF OVER 6') |
| FFA<br>10 YEL             | PASSENGER HEATER BLOWER<br>CIRCUIT BREAKER      | PASSENGER HEATER<br>BLOWER RELAY                      |
| FFB<br>10 YEL             | OVERCURRENT PROTECTION<br>(30A BREAKER TYPICAL) | POWER LOUNGE CHAIR                                    |
| FFC<br>10 WHT             | POWER LOUNGE CHAIR                              | GROUND  |
| FFD<br>12 YEL             | OVERCURRENT PROTECTION<br>(30A BREAKER TYPICAL) | AWNING CONTROL BOX<br>(12V POSITIVE)                  |
| FFE<br>12 WHT             | AWNING CONTROL BOX                              | GROUND  |
| FFF<br>12 YEL             | AWNING CONTROL BOX                              | DOOR AWNING<br>(MOTOR POSITIVE)                       |
| FFG<br>12 WHT             | DOOR AWNING<br>(MOTOR GROUND)                   | AWNING CONTROL BOX                                    |
| FFH<br>12 YEL             | AWNING CONTROL BOX                              | PATIO AWNING<br>(MOTOR POSITIVE)                      |
| FFJ<br>12 WHT             | PATIO AWNING<br>(MOTOR GROUND)                  | AWNING CONTROL BOX                                    |
| FFK<br>16 YEL             | AWNING CONTROL BOX                              | DOOR AWNING SWITCH<br>(EXTEND)                        |
| FFL<br>16 YEL             | DOOR AWNING SWITCH<br>(COMMON)                  | AWNING CONTROL BOX                                    |
| FFM<br>16 YEL             | AWNING CONTROL BOX                              | DOOR AWNING SWITCH<br>(RETRACT)                       |
| FFN<br>16 YEL             | AWNING CONTROL BOX                              | PATIO AWNING SWITCH<br>(EXTEND)                       |
| FFP<br>16 YEL             | PATIO AWNING SWITCH<br>(COMMON)                 | AWNING CONTROL BOX                                    |
| FFR<br>16 YEL             | AWNING CONTROL BOX                              | PATIO AWNING SWITCH<br>(RETRACT)                      |
| FFS<br>14 WHT             | RELAY<br>(PIN 30)                               | AWNING CONTROL BOX                                    |
| FFT<br>14 WHT             | PATIO AWNING SWITCH                             | AWNING CONTROL BOX                                    |
| FFU<br>16 YEL             | AWNING SELECTOR SWITCH<br>(DOOR AWNING)         | AWNING CONTROL SWITCH<br>(DOOR AWNING)                |

| WIRE IDENTIFICATION CHART |  |   |
|---------------------------|--|---|
| CODE/COLOR                | FROM:  | TO:   |
| FFV<br>16 YEL             | AWNING SELECTOR SWITCH<br>(PATIO AWNING)             | AWNING CONTROL SWITCH<br>(PATIO AWNING)     |
| FFW<br>14 YEL             | LOUNGE LAMPS SWITCH #1                               | LOUNGE LAMPS SWITCH #2                      |
| FFX<br>14 YEL             | LOUNGE LAMPS SWITCH #1                               | LOUNGE LAMPS SWITCH #2                      |
| FFY<br>14 YEL             | CEILING FAN SWITCH                                   | CEILING FAN                                 |
| FFZ<br>14 YEL             | OVERCURRENT PROTECTION<br>(15A FUSE/BREAKER TYPICAL) | COACH LIGHTING, ETC<br>CIRCUIT #7 (REF GGA) |
| GGA<br>14 WHT             | COACH LIGHTING<br>(REF-FFZ)                          | GROUND                                      |
| GGB<br>14 YEL             | POWER LIFT VENT                                      | POWER LIFT SWITCH<br>(UP)                   |
| GGC<br>14 YEL             | POWER LIFT VENT                                      | POWER LIFT SWITCH<br>(DOWN)                 |
| GGD<br>16 YEL             | CONTROL MODULE<br>(LEFT FRONT SLIDE) (STOP)          | SLIDEOUT SWITCH<br>(LEFT FRONT SLIDE)       |
| GGE<br>16 YEL             | CONTROL MODULE<br>(LEFT FRONT SLIDE) (GREEN LED)     | SLIDEOUT SWITCH<br>(LEFT FRONT SLIDE)       |
| GGF<br>16 YEL             | CONTROL MODULE<br>(LEFT FRONT SLIDE) (RED LED)       | SLIDEOUT SWITCH<br>(LEFT FRONT SLIDE)       |
| GGG<br>16 YEL             | CONTROL MODULE<br>(LEFT FRONT SLIDE) (SIGNAL)        | LEFT FRONT SLIDE, FRONT RAM<br>(ENCODER)    |
| GGH<br>16 YEL             | CONTROL MODULE<br>(LEFT FRONT SLIDE) (+)             | LEFT FRONT SLIDE, FRONT RAM<br>(ENCODER)    |
| GGJ<br>16 WHT             | CONTROL MODULE<br>(LEFT FRONT SLIDE) (-)             | LEFT FRONT SLIDE, FRONT RAM<br>(ENCODER)    |
| GGK<br>16 YEL             | CONTROL MODULE<br>(LEFT FRONT SLIDE) (SIGNAL)        | LEFT FRONT SLIDE, REAR RAM<br>(ENCODER)     |
| GGL<br>16 YEL             | CONTROL MODULE<br>(LEFT FRONT SLIDE) (+)             | LEFT FRONT SLIDE, REAR RAM<br>(ENCODER)     |
| GGM<br>16 WHT             | CONTROL MODULE<br>(LEFT FRONT SLIDE) (-)             | LEFT FRONT SLIDE, REAR RAM<br>(ENCODER)     |
| GGN<br>12 YEL             | CONTROL MODULE<br>(RAM #2)                           | SLIDEOUT ACTUATOR DRIVE<br>LEAD #1          |
| GGP<br>12 YEL             | CONTROL MODULE<br>(RAM #2)                           | SLIDEOUT ACTUATOR DRIVE<br>LEAD #2          |

| WIRE IDENTIFICATION CHART |  |   |
|---------------------------|--|---|
| CODE/COLOR                | FROM:  | TO:   |
| GGR<br>16 YEL             | FRONT ROOF HEAT PUMP                                 | THERMOSTAT<br>(W TERMINAL)                  |
| GGS<br>16 YEL             | REAR ROOF HEAT PUMP                                  | THERMOSTAT<br>(W TERMINAL)                  |
| GGT<br>12 YEL             | SOFA RECLINER<br>SWITCH EXTEND                       | SOFA RECLINER MOTOR<br>SOFA 4-WAY           |
| GGU<br>12 YEL             | SOFA RECLINER<br>SWITCH RETRACT                      | SOFA RECLINER MOTOR<br>SOFA 4-WAY           |
| GGV<br>14 WHT             | GPS<br>(BLACK WIRE)                                  | GROUND                                      |
| GGW<br>16 YEL             | GPS<br>(GREEN/WHITE WIRE)                            | VEHICLE SPEED SENSOR<br>(CHASSIS SUPPLIED)  |
| GGX<br>14 YEL             | 10 OHM RESISTOR<br>*                                 | BEDROOM CEILING FAN<br>(LOW SPEED)          |
| GGY<br>14 YEL             | BATHROOM VENT SWITCH                                 | BATHROOM VENT                               |
| GGZ<br>14 YEL             | BEDROOM VENT SWITCH                                  | BEDROOM VENT                                |
| HHA<br>14 YEL             | OVERCURRENT PROTECTION<br>(15A FUSE/BREAKER TYPICAL) | COACH VENTS/LAMPS<br>(REF HHB)              |
| HHB<br>14 WHT             | COACH VENTS/LAMPS<br>(REF HHA)                       | GROUND                                      |
| HHC<br>12 YEL             | STEP COVER SWITCH                                    | STEP COVER MOTOR<br>(+)RETRACT, (-)EXTEND   |
| HHD<br>12 YEL             | STEP COVER SWITCH                                    | STEP COVER MOTOR<br>(-)EXTEND, (+)RETRACT   |
| HHE<br>16 YEL             | SLIDEOUT ROOM SWITCH<br>(ROOM THREE EXTEND)          | HWH WIRING<br>(ROOM THREE EXTEND)           |
| HHF<br>16 YEL             | SLIDEOUT ROOM SWITCH<br>(ROOM THREE RETRACT)         | HWH WIRING<br>(ROOM THREE RETRACT)          |
| HHG<br>16 YEL             | SLIDEOUT ROOM SWITCH<br>(ROOM FOUR EXTEND)           | HWH WIRING<br>(ROOM FOUR EXTEND)            |
| HHH<br>16 YEL             | SLIDEOUT ROOM SWITCH<br>(ROOM FOUR RETRACT)          | SLIDEOUT ROOM SWITCH<br>(ROOM FOUR RETRACT) |
| HHJ<br>14 YEL             | 110V WATER HEATER TRIGGER<br>SWITCH                  | WATER HEATER RELAY                          |
| HHK<br>14 YEL             | DRIVER'S POWER<br>SUNVISOR SWITCH                    | DRIVER'S POWER SUNVISOR                     |

| WIRE IDENTIFICATION CHART |   |  |
|---------------------------|---|--|
| CODE/COLOR                | FROM:                                       | TO:  |
| HHL<br>14 YEL             | DRIVER'S POWER<br>SUNVISOR SWITCH           | DRIVER'S POWER SUNVISOR                        |
| HHM<br>14 YEL             | PASS POWER<br>SUNVISOR SWITCH               | PASS POWER SUNVISOR                            |
| HHN<br>14 YEL             | PASS POWER<br>SUNVISOR SWITCH               | PASS POWER SUNVISOR                            |
| HHP<br>14 YEL             | HOT WATER HEAT<br>CONTROL BOARD (F1)        | ZONE 1 FAN<br>SPEED SWITCH                     |
| HHR<br>14 YEL             | ZONE 1 FAN<br>SPEED SWITCH                  | ZONE 1<br>HEATER FAN                           |
| HHS<br>16 YEL             | HOT WATER HEAT<br>CONTROL BOARD (TC)        | ZONE 2 & 3<br>THERMOSTAT                       |
| HHT<br>16 YEL             | HOT WATER HEAT<br>CONTROL BOARD (T2)        | ZONE 2<br>THERMOSTAT                           |
| HHU<br>14 YEL             | HOT WATER HEAT<br>CONTROL BOARD (F2)        | ZONE 2 FAN<br>SPEED SWITCH                     |
| HHV<br>14 YEL             | ZONE 2 FAN<br>SPEED SWITCH                  | ZONE 2<br>HEATER FAN                           |
| HHW<br>16 YEL             | HOT WATER HEAT<br>CONTROL BOARD (T3)        | ZONE 3<br>THERMOSTAT                           |
| HHX<br>14 YEL             | HOT WATER HEAT<br>CONTROL BOARD (F3)        | ZONE 3<br>HEATER FAN                           |
| HHY<br>16 WHT             | AWNING CONTROL BOX                          | WIND SENSOR<br>(NEGATIVE)                      |
| HHZ<br>16 YEL             | AWNING CONTROL BOX                          | WIND SENSOR<br>(POSITIVE)                      |
| JJA<br>16 YEL             | AWNING CONTROL BOX                          | WIND SENSOR<br>TEMPERATURE OUTPUT              |
| JJB<br>16 YEL             | AWNING CONTROL BOX                          | WIND SENSOR<br>SPEED OUTPUT                    |
| JJC<br>14 YEL             | ENGINE HEATER CIRCULATING<br>PUMP SWITCH    | HOT WATER HEAT CONTROL PANEL<br>(BLU/BLK WIRE) |
| JJD<br>10 YEL             | OVERCURRENT PROTECTION<br>(25 FUSE TYPICAL) | HOT WATER HEAT<br>CONTROL BOARD                |
| JJE<br>10 WHT             | HOT WATER HEAT<br>CONTROL BOARD             | GROUND   |
| JJF<br>14 YEL             | SATELLITE POWER SWITCH                      | SATELLITE-AUTO SEEK                            |

| WIRE IDENTIFICATION CHART |  |   |
|---------------------------|--|---|
| CODE/COLOR                | FROM:  | TO:   |
| JJG<br>12 YEL             | OVERCURRENT PROTECTION<br>(20 AMP BREAKER TYPICAL)   | SLIDEOUT ROOM CONTROL SWITCH<br>(RAM #3)                    |
| JJH<br>12 WHT             | SLIDEOUT ROOM CONTROL SWITCH<br>(RAM #3)             | GROUND  |
| JJJ<br>12 YEL             | SLIDEOUT ROOM CONTROL SWITCH<br>(RAM #3)             | SLIDEOUT DRIVE MOTOR<br>LEAD #1                             |
| JJK<br>12 YEL             | SLIDEOUT ROOM CONTROL SWITCH<br>(RAM #3)             | SLIDEOUT DRIVE MOTOR<br>LEAD #2                             |
| JJL<br>12 YEL             | OVERCURRENT PROTECTION<br>(20 AMP BREAKER TYPICAL)   | SLIDEOUT ROOM CONTROL SWITCH<br>(RAM #2)                    |
| JJM<br>16 YEL             | HWH WIRING<br>(SWITCHED BATTERY POWER)               | SLIDEOUT ROOM SWITCH #2<br>(SWITCHED EXTEND/RETRACT PWR)    |
| JJN<br>16 YEL             | HWH WIRING<br>(SWITCHED BATTERY POWER)               | SLIDEOUT ROOM SWITCH #3<br>(SWITCHED EXTEND/RETRACT PWR)    |
| JJP<br>16 YEL             | HWH WIRING<br>(SWITCHED BATTERY POWER)               | SLIDEOUT ROOM SWITCH #4<br>(SWITCHED EXTEND/RETRACT PWR)    |
| JJR<br>16 YEL             | REMOTE SWITCH<br>(EXTEND)                            | PATIO AWNING CONTROL MODULE<br>(RELAY POSITION 87A, EXTEND) |
| JJS<br>12 YEL             | REMOTE SWITCH  | DOOR AWNING CONTROL RELAY<br>(RELAY POSITION 87A, EXTEND)   |
| JJT<br>14 YEL             | OVERCURRENT PROTECTION<br>(15A FUSE/BREAKER TYPICAL) | COACH 12V RECEPTACLES<br>(REF JJU)                          |
| JJU<br>14 WHT             | COACH 12V RECEPTACLES<br>(REF JJT)                   | GROUND  |
| JJV<br>14 YEL             | MONITOR PANEL LAMP SWITCH                            | MONITOR PANEL LAMP  |
| JJW<br>14 YEL             | RUN ONLY POWER BREAKER                               | RUN ONLY POWER RELAY  |
| JJX<br>14 YEL             | RUN ONLY POWER RELAY                                 | GENERAL PURPOSE<br>(RUN ONLY FEED)                          |
| JJY<br>14 YEL             | RUN/ACC POWER #1 BREAKER                             | RUN/ACC POWER #1 RELAY                                      |
| JJZ<br>14 YEL             | RUN/ACC POWER #1 RELAY<br>(REF LLD)                  | GENERAL PURPOSE<br>(RUN/ACC FEED #1)                        |
| KKA<br>14 YEL             | RUN/ACC POWER #2 BREAKER                             | RUN/ACC POWER #2 RELAY                                      |
| KKB<br>14 YEL             | RUN/ACC POWER #2 RELAY<br>(REF LLE)                  | GENERAL PURPOSE<br>(RUN/ACC FEED #2)                        |

| WIRE IDENTIFICATION CHART |   |   |
|---------------------------|---|---|
| CODE/COLOR                | FROM:   | TO:   |
| KKC<br>12 YEL             | POWER SEAT RELAY                                      | POWER SEAT<br>(HEATER)                                |
| KKD<br>16 YEL             | CONFIRMATION EMERGENCY<br>SHUT OFF SWITCH (IN COACH)  | EMERGENCY SHUT OFF SWITCH<br>(ON REMOTE FILL BRACKET) |
| KKE<br>16 YEL             | EMERGENCY SHUT OFF SWITCH<br>(ON REMOTE FILL BRACKET) | EMERGENCY SHUT OFF SOLENOID<br>(ON LP TANK)           |
| KKF<br>6 BLK              | BATTERY DISCONNECT RELAY                              | COACH BUSS BAR  |
| KKG<br>8 BLK              | BATTERY MODE SOLENOID                                 | CHASSIS BUSS BAR                                      |
| KKH<br>14 YEL             | EXTERIOR SERVICE LAMP<br>SWITCH #1                    | EXTERIOR SERVICE LAMP<br>SWITCH #2                    |
| KKJ<br>14 YEL             | EXTERIOR SERVICE LAMP<br>SWITCH #1                    | EXTERIOR SERVICE LAMP<br>SWITCH #2                    |
| KKK<br>16 YEL             | HWH WIRING<br>(SWITCHED BATTERY POWER)                | SLIDEOUT ROOM #2 SWITCH<br>(POSITIVE)                 |
| KKL<br>16 YEL             | HWH WIRING<br>(SWITCHED BATTERY POWER)                | SLIDEOUT ROOM #3 SWITCH<br>(POSITIVE)                 |
| KKM<br>16 YEL             | HWH WIRING<br>(SWITCHED BATTERY POWER)                | SLIDEOUT ROOM #4 SWITCH<br>(POSITIVE)                 |
| KKN<br>14 YEL             | KEYLESS ENTRY PORCH<br>LIGHT OUTPUT                   | PORCH/STEP/MAP LAMP                                   |
| KKP<br>14 YEL             | LOUNGE CEILING ROPE<br>LAMP SWITCH (CIRCUIT #1)       | LOUNGE CEILING ROPE<br>LAMP (REF CIRCUIT SSZ)         |
| KKR<br>14 YEL             | BEDROOM CEILING ROPE<br>LAMP SWITCH                   | BEDROOM CEILING ROPE<br>LAMP                          |
| KKS<br>14 YEL             | BEDROOM VALANCE LAMP SWITCH                           | BEDROOM VALANCE LAMP                                  |
| KKT<br>14 YEL             | BEDROOM "MOOD" LAMP SWITCH                            | BEDROOM "MOOD" LAMP                                   |
| KKU<br>16 YEL             | REAR TV SPEAKER OUTPUT<br>(RIGHT POSITIVE)            | RIGHT SPEAKER<br>(POSITIVE)                           |
| KKV<br>16 WHT             | REAR TV SPEAKER OUTPUT<br>(RIGHT NEGATIVE)            | RIGHT SPEAKER<br>(NEGATIVE)                           |
| KKW<br>16 YEL             | REAR TV SPEAKER OUTPUT<br>(LEFT POSITIVE)             | LEFT SPEAKER<br>(POSITIVE)                            |
| KKX<br>16 WHT             | REAR TV SPEAKER OUTPUT<br>(LEFT NEGATIVE)             | LEFT SPEAKER<br>(NEGATIVE)                            |

| WIRE IDENTIFICATION CHART |  |  |
|---------------------------|--|--|
| CODE/COLOR                | FROM:  | TO:  |
| KKY<br>14 YEL             | OVERCURRENT PROTECTION<br>(15A FUSE/BREAKER TYPICAL) | COACH LIGHTING,ETC<br>CIRCUIT #8 (REF KKZ) |
| KKZ<br>14 WHT             | COACH LIGHTING<br>(REF KKY)                          | GROUND                                     |
| LLA<br>14 YEL             | OVERCURRENT PROTECTION<br>(15A FUSE/BREAKER TYPICAL) | COACH LIGHTING,ETC<br>CIRCUIT #9 (REF LLB) |
| LLB<br>14 WHT             | COACH LIGHTING<br>(REF LLA)                          | GROUND                                     |
| LLC<br>14 YEL             | SEAT HEATER BREAKER<br>(15 AMP BREAKER TYPICAL)      | SEAT HEATER RELAY<br>POSITION 30           |
| LLD<br>14 WHT             | RUN/ACC FEED #1<br>(REF JJZ)                         | GROUND                                     |
| LLE<br>14 WHT             | RUN/ACC FEED #2<br>(REF KKB)                         | GROUND                                     |
| LLF<br>14 YEL             | DOME LAMP RELAY                                      | DOME LAMP                                  |
| LLG<br>10/12 YEL          | TRAILER BRAKE SIGNAL<br>(OUTPUT FROM CONTROLLER)     | TRAILER CONNECTOR<br>(ELECTRIC BRAKES)     |
| LLH<br>14 WHT             | RUN ONLY GROUND SOURCE<br>(CHASSIS SUPPLIED)         | AUX START RELAY                            |
| LLJ<br>14 YEL             | AUX START RELAY<br>(RUN ONLY POWER)                  | AUX START SWITCH                           |
| LLK<br>10 YEL             | CHASSIS BREAKER PANEL<br>(LH FRT SLIDE)(FRT RAM)     | CONTROL MODULE<br>(LH FRT SLIDE)           |
| LLL<br>10 WHT             | CHASSIS GROUND BAR<br>(LH FRT SLIDE)(FRT RAM)        | CONTROL MODULE<br>(LH FRT SLIDE)           |
| LLM<br>10 YEL             | CHASSIS BREAKER PANEL<br>(LH FRT SLIDE)(REAR RAM)    | CONTROL MODULE<br>(LH FRT SLIDE)           |
| LLN<br>10 WHT             | CHASSIS GROUND BAR<br>(LH FRT SLIDE)(REAR RAM)       | CONTROL MODULE<br>(LH FRT SLIDE)           |
| LLP<br>10 YEL             | CHASSIS BREAKER PANEL<br>(REAR SLIDE RAM)            | CONTROL MODULE<br>(REAR SLIDE)             |
| LLR<br>10 WHT             | CHASSIS GROUND BAR<br>(REAR SLIDE RAM)               | CONTROL MODULE<br>(REAR SLIDE)             |
| LLS<br>10 YEL             | CONTROL MODULE<br>(LEFT FRONT SLIDE)                 | LT FRT SLIDE FRT RAM<br>(MOTOR DRIVE LINE) |
| LLT<br>10 YEL             | CONTROL MODULE<br>(LEFT FRONT SLIDE)                 | LT FRT SLIDE FRT RAM<br>(MOTOR DRIVE LINE) |

| WIRE IDENTIFICATION CHART |  |  |
|---------------------------|--|--|
| CODE/COLOR                | FROM:  | TO:  |
| LLU<br>10 YEL             | CONTROL MODULE<br>(LEFT FRONT SLIDE)                 | LT FRT SLIDE RR RAM<br>(MOTOR DRIVE LINE)          |
| LLV<br>10 YEL             | CONTROL MODULE<br>(REAR SLIDE)                       | REAR SLIDEOUT RAM<br>(MOTOR DRIVE LINE)            |
| LLW<br>10 YEL             | CONTROL MODULE<br>(LEFT FRONT SLIDE)                 | LT FRT SLIDE RR RAM<br>(MOTOR DRIVE LINE)          |
| LLX<br>10 YEL             | CONTROL MODULE<br>(REAR SLIDE)                       | REAR SLIDEOUT RAM<br>(MOTOR DRIVE LINE)            |
| LLY<br>16 WHT             | CONTROL MODULE<br>(REAR SLIDE)(GROUND)               | SLIDEOUT SWITCH<br>(REAR SLIDEOUT)                 |
| LLZ<br>16 YEL             | CONTROL MODULE<br>(REAR SLIDE)(RETRACT)              | SLIDEOUT SWITCH<br>(REAR SLIDEOUT)                 |
| MMA<br>16 YEL             | CONTROL MODULE<br>(REAR SLIDE)(STOP)                 | SLIDEOUT SWITCH<br>(REAR SLIDEOUT)                 |
| MMB<br>16 YEL             | CONTROL MODULE<br>(REAR SLIDE)(GREEN LED)            | SLIDEOUT SWITCH<br>(REAR SLIDEOUT)                 |
| MMC<br>16 YEL             | CONTROL MODULE<br>(REAR SLIDE)(EXTEND)               | SLIDEOUT SWITCH<br>(REAR SLIDEOUT)                 |
| MMD<br>16 YEL             | CONTROL MODULE<br>(REAR SLIDE)(RED LED)              | SLIDEOUT SWITCH<br>(REAR SLIDEOUT)                 |
| MME<br>10 YEL             | CHASSIS SIDE OF SOLENOID<br>(FRT LT/REAR SLIDE RAMS) | BREAKER PANEL BUSS BAR<br>(FRT LT/REAR SLIDE RAMS) |
| MMF<br>10 YEL             | CHASSIS SIDE OF SOLENOID<br>(FRT RT SLIDE RAMS)      | BREAKER PANEL BUSS BAR<br>(FRT RT SLIDE RAMS)      |
| MMG<br>10 YEL             | CHASSIS SIDE OF SOLENOID<br>(REAR SLIDE RAM)         | BREAKER PANEL<br>(REAR SLIDE RAM)                  |
| MMH<br>16 YEL             | OVERCURRENT PROTECTION<br>(6 AMP BREAKER TYPICAL)    | POWER SUNVISOR SWITCH                              |
| MMJ<br>16 WHT             | GROUND   | POWER SUNVISOR SWITCH                              |
| MMK<br>16 YEL             | BEDROOM STEREO<br>(LEFT SPEAKER REF)                 | CROSS OVER BOX<br>(POSITIVE)                       |
| MML<br>16 WHT             | BEDROOM STEREO<br>(LEFT SPEAKER REF)                 | CROSS OVER BOX<br>(NEGATIVE)                       |
| MMM<br>16 YEL             | BEDROOM STEREO<br>(RIGHT SPEAKER REF)                | CROSS OVER BOX<br>(POSITIVE)                       |
| MMN<br>16 WHT             | BEDROOM STEREO<br>(RT/WOOFER SPKER REF)              | CROSS OVER BOX<br>(NEGATIVE)                       |

| WIRE IDENTIFICATION CHART |  |  |
|---------------------------|--|--|
| CODE/COLOR                | FROM:                                    | TO:                                      |
| MMP<br>16 YEL             | CROSS OVER COIL<br>(POSITIVE)            | SUBWOOFER<br>(BEDROOM)                   |
| MMR<br>14 YEL             | CHASSIS TOW MARKER LAMPS<br>CIRCUIT      | TRAILER CONNECTOR<br>(TAIL/MARKER LAMPS) |
| MMS<br>12 YEL             | +12V                                     | PASSENGER AC/HEATER<br>CONTROLS          |
| MMT<br>12 YEL             | PASSENGER FAN SWITCH<br>(LOW SPEED)      | PASSENGER FAN                            |
| MMU<br>12 YEL             | PASSENGER FAN SWITCH<br>(MED SPEED)      | PASSENGER FAN                            |
| MMV<br>12 YEL             | PASSENGER FAN SWITCH<br>(HIGH SPEED)     | PASSENGER FAN                            |
| MMW<br>16 YEL             | +12V                                     | PASSENGER CONTROL<br>PANEL LAMPS         |
| MMX<br>16 WHT             | PASSENGER CONTROL<br>PANEL LAMPS         | GROUND                                   |
| MMY<br>16 WHT             | PASSENGER TEMP AND<br>VENT CONTROL       | GROUND                                   |
| MMZ<br>12 YEL             | SLIDEOUT ROOM CONTROL SWITCH<br>(RAM #1) | SLIDEOUT DRIVE MOTOR<br>LEAD #1          |
| NNA<br>12 YEL             | SLIDEOUT ROOM CONTROL SWITCH<br>(RAM #1) | SLIDEOUT DRIVE MOTOR<br>LEAD #2          |
| NNB<br>16 YEL             | CONTROL MODULE<br>(FRONT SLIDE) (SIGNAL) | FRONT SLIDE FRONT RAM<br>(ENCODER)       |
| NNC<br>16 YEL             | CONTROL MODULE<br>(FRONT SLIDE) (+)      | FRONT SLIDE FRONT RAM<br>(ENCODER)       |
| NND<br>16 WHT             | CONTROL MODULE<br>(FRONT SLIDE) (-)      | FRONT SLIDE FRONT RAM<br>(ENCODER)       |
| NNE<br>16 YEL             | CONTROL MODULE<br>(FRONT SLIDE) (SIGNAL) | FRONT SLIDE REAR RAM<br>(ENCODER)        |
| NNF<br>16 YEL             | CONTROL MODULE<br>(FRONT SLIDE) (+)      | FRONT SLIDE REAR RAM<br>(ENCODER)        |
| NNG<br>16 WHT             | CONTROL MODULE<br>(FRONT SLIDE) (-)      | FRONT SLIDE REAR RAM<br>(ENCODER)        |
| NNH<br>12 YEL             | CONTROL MODULE<br>(RAM #2)               | SLIDEOUT ACTURATOR DRIVE<br>LEAD #1      |
| NNJ<br>12 YEL             | CONTROL MODULE<br>(RAM #2)               | SLIDEOUT ACTURATOR DRIVE<br>LEAD #2      |

| WIRE IDENTIFICATION CHART |  |  |
|---------------------------|--|--|
| CODE/COLOR                | FROM:  | TO:  |
| NNK<br>16 YEL             | KEYLESS ENTRY TOUCH<br>PAD SIGNAL                  | ENTRANCE DOOR<br>TOUCH PAD                 |
| NNL<br>16 YEL             | PASSENGER TEMP CONTROL<br>(CONTROL OUT)            | PASSENGER AC/HEATER                        |
| NNM<br>16 YEL             | PASSENGER VENT CONTROL<br>(CONTROL OUT)            | PASSENGER VENT                             |
| NNN<br>16 YEL             | CONTROL MODULE<br>(RIGHT FRONT SLIDE) (STOP)       | SLIDEOUT SWITCH<br>(RIGHT FRONT SLIDE)     |
| NNP<br>16 YEL             | CONTROL MODULE<br>(RIGHT FRONT SLIDE) (GREEN LED)  | SLIDEOUT SWITCH<br>(RIGHT FRONT SLIDE)     |
| NNR<br>16 YEL             | CONTROL MODULE<br>(RIGHT FRONT SLIDE) (RED LED)    | SLIDEOUT SWITCH<br>(RIGHT FRONT SLIDE)     |
| NNS<br>16 WHT             | CONTROL MODULE<br>(RIGHT FRONT SLIDE) (GROUND)     | SLIDEOUT SWITCH<br>(RIGHT FRONT SLIDEOUT)  |
| NNT<br>16 YEL             | CONTROL MODULE<br>(RIGHT FRONT SLIDE) (SIGNAL)     | RIGHT FRONT SLIDE, FRONT RAM<br>(ENCODER)  |
| NNU<br>16 YEL             | CONTROL MODULE<br>(RIGHT FRONT SLIDE) (+)          | RIGHT FRONT SLIDE, FRONT RAM<br>(ENCODER)  |
| NNV<br>16 WHT             | CONTROL MODULE<br>(RIGHT FRONT SLIDE) (-)          | RIGHT FRONT SLIDE, FRONT RAM<br>(ENCODER)  |
| NNW<br>16 YEL             | CONTROL MODULE<br>(RIGHT FRONT SLIDE) (SIGNAL)     | RIGHT FRONT SLIDE, REAR RAM<br>(ENCODER)   |
| NNX<br>16 YEL             | CONTROL MODULE<br>(RIGHT FRONT SLIDE) (+)          | RIGHT FRONT SLIDE, REAR RAM<br>(ENCODER)   |
| NNY<br>16 WHT             | CONTROL MODULE<br>(RIGHT FRONT SLIDE) (-)          | RIGHT FRONT SLIDE, REAR RAM<br>(ENCODER)   |
| NNZ<br>10 YEL             | CHASSIS BREAKER PANEL<br>(RH FRT SLIDE) (FRT RAM)  | CONTROL MODULE<br>(RIGHT FRONT SLIDE)      |
| PPA<br>10 WHT             | CHASSIS GROUND BAR<br>(RH FRT SLIDE) (FRT RAM)     | CONTROL MODULE<br>(RIGHT FRONT SLIDE)      |
| PPB<br>10 YEL             | CHASSIS BREAKER PANEL<br>(RH FRT SLIDE) (REAR RAM) | CONTROL MODULE<br>(RIGHT FRONT SLIDE)      |
| PPC<br>10 WHT             | CHASSIS GROUND BAR<br>(RH FRT SLIDE) (REAR RAM)    | CONTROL MODULE<br>(RIGHT FRONT SLIDE)      |
| PPD<br>10 YEL             | CONTROL MODULE<br>(RIGHT FRONT SLIDE)              | RH FRT SLIDE FRT RAM<br>(MOTOR DRIVE LINE) |
| PPE<br>10 YEL             | CONTROL MODULE<br>(RIGHT FRONT SLIDE)              | RH FRT SLIDE FRT RAM<br>(MOTOR DRIVE LINE) |

| WIRE IDENTIFICATION CHART |  |   |
|---------------------------|--|---|
| CODE/COLOR                | FROM:  | TO:   |
| PPF<br>10 YEL             | CONTROL MODULE<br>(RIGHT FRONT SLIDE)                | RH FRT SLIDE RR RAM<br>(MOTOR DRIVE LINE)         |
| PPG<br>10 YEL             | CONTROL MODULE<br>(RIGHT FRONT SLIDE)                | RH FRT SLIDE RR RAM<br>(MOTOR DRIVE LINE)         |
| PPH<br>14 YEL             | CHASSIS CLEARANCE LAMPS CRT #2<br>(REF MM)           | CLEARANCE/MARKER LAMPS                            |
| PPJ<br>14 YEL             | PASSENGER SUNVISOR SWITCH<br>DRIVER'S SIDE           | PASSENGER SUNVISOR SWITCH<br>PASSENGER'S SIDE     |
| PPK<br>14 YEL             | PASSENGER SUNVISOR SWITCH<br>DRIVER'S SIDE           | PASSENGER SUNVISOR SWITCH<br>PASSENGER'S SIDE     |
| PPL<br>14 YEL             | DASH RADIO<br>ACCESSORY POWER                        | TV/RADIO SPEAKER<br>SELECTOR SWITCH               |
| PPM<br>12 YEL             | OVERCURRENT PROTECTION<br>(15A BREAKER TYPICAL)      | LEFT FRONT SLIDEOUT LOCK<br>SWITCH                |
| PPN<br>12 WHT             | LEFT FRONT SLIDEOUT LOCK<br>SWITCH (REF PPM)         | GROUND  |
| PPP<br>12 YEL             | OVERCURRENT PROTECTION<br>(15A BREAKER TYPICAL)      | RIGHT FRONT SLIDEOUT LOCK<br>SWITCH               |
| PPR<br>12 WHT             | RIGHT FRONT SLIDEOUT LOCK<br>SWITCH (REF PPP)        | GROUND  |
| PPS<br>12 YEL             | LEFT FRONT SLIDEOUT LOCK<br>SWITCH                   | LEFT FRONT SLIDEOUT LOCK<br>MOTOR                 |
| PPT<br>12 YEL             | LEFT FRONT SLIDEOUT LOCK<br>SWITCH                   | LEFT FRONT SLIDEOUT LOCK<br>MOTOR                 |
| PPU<br>12 YEL             | RIGHT FRONT SLIDEOUT LOCK<br>SWITCH                  | RIGHT FRONT SLIDEOUT LOCK<br>MOTOR                |
| PPV<br>12 YEL             | RIGHT FRONT SLIDEOUT LOCK<br>SWITCH                  | RIGHT FRONT SLIDEOUT LOCK<br>MOTOR                |
| PPW<br>14 YEL             | SLIDEOUT LOCK SWITCH<br>W/SLIDEOUT SWITCH #1 IN DASH | SLIDEOUT ROOM #1 SWITCH<br>(POSITIVE)             |
| PPX<br>14 YEL             | SLIDEOUT LOCK SWITCH<br>W/SLIDEOUT SWITCH #3 IN DASH | SLIDEOUT ROOM #3 SWITCH<br>(POSITIVE)             |
| PPY<br>14 YEL             | SLIDEOUT LOCK SWITCH<br>W/SLIDEOUT SWITCH #4 IN DASH | SLIDEOUT ROOM #4 SWITCH<br>(POSITIVE)             |
| PPZ<br>12 YEL             | CHASSIS SUPPLIED WIRING                              | TRAILER TOW BATTERY FEED<br>(7 WAY TOW CONNECTOR) |
| RRA<br>14 YEL             | GENERAL SWITCH                                       | GENERAL LAMP                                      |

| WIRE IDENTIFICATION CHART |   |  |
|---------------------------|---|--|
| CODE/COLOR                | FROM:   | TO:  |
| RRB<br>14 YEL             | GENERAL SWITCH                                      | GENERAL LAMP   |
| RRC<br>14 YEL             | GENERAL SWITCH                                      | GENERAL LAMP   |
| RRD<br>14 YEL             | GALLEY CEILING FAN<br>SWITCH                        | GALLEY CEILING FAN                                     |
| RRE<br>14 YEL             | 10 OHM RESISTOR                                     | LOUNGE CEILING FAN<br>(LOW SPEED)                      |
| RRF<br>14 YEL             | BEDROOM READING LAMP SWITCH                         | BEDROOM READING LAMP                                   |
| RRG<br>14 YEL             | BEDROOM READING LAMP SWITCH #1<br>(2 SWITCH SYSTEM) | BEDROOM READING LAMP SWITCH #2<br>(2 SWITCH SYSTEM)    |
| RRH<br>14 YEL             | BEDROOM READING LAMP SWITCH #1<br>(2 SWITCH SYSTEM) | BEDROOM READING LAMP SWITCH #2<br>(2 SWITCH SYSTEM)    |
| RRJ<br>12 WHT             | SEVEN PIN CONNECTOR<br>(TRAILER CONNECTOR)          | GROUND   |
| RRK<br>16 YEL             | 2ND GALLEY HOLDING TANK                             | SELECTOR SWITCH  |
| RRL<br>16 YEL             | HOLDING TANK SELECTOR SWITCH                        | MONITOR PANEL  |
| RRM<br>14 YEL             | CENTER POWER<br>SUNVISOR SWITCH                     | CENTER SUNVISOR  |
| RRN<br>14 YEL             | CENTER POWER<br>SUNVISOR SWITCH                     | CENTER SUNVISOR  |
| RRP<br>16 YEL             | THERMOSTAT (LOW STAGE)                              | FURNACE (LOW STAGE)                                    |
| RRR<br>16 YEL             | THERMOSTAT (HIGH STAGE)                             | FURNACE (HIGH STAGE)                                   |
| RRS<br>16 YEL             | SLIDEOUT LOCK SWITCH (#1)                           | SLIDEOUT LOCK SWITCH (#2)                              |
| RRT<br>16 YEL             | AWNING CONTROL BOX<br>(LOCATED IN HOUSING PIN 1)    | DOOR AWNING LIMIT SWITCH<br>(LOCATED IN HOUSING PIN 1) |
| RRU<br>16 WHT             | AWNING CONTROL BOX<br>(LOCATED IN HOUSING PIN 2)    | DOOR AWNING LIMIT SWITCH<br>(LOCATED IN HOUSING PIN 2) |
| RRV<br>14 YEL             | VIDEO CAMERA SWITCHER                               | MONITOR  |
| RRW<br>14 YEL             | LOCKOUT POSITIONING SWITCH                          | FIREPLACE LOCKOUT RECP                                 |

| WIRE IDENTIFICATION CHART |   |   |
|---------------------------|---|---|
| CODE/COLOR                | FROM:   | TO:   |
| RRX<br>10 YEL             | 12V BREAKER PANEL<br>(30 AMP TYPICAL)               | SMART FUSE BLOCK<br>(POSITIVE)                |
| RRY<br>18 YEL             | SMART FUSE BLOCK<br>(COMMUNICATION BUS)             | SMART FUSE SWITCH PANEL                       |
| RRZ<br>18 WHT             | SMART FUSE BLOCK<br>(COMMUNICATION GROUND)          | SMART FUSE SWITCH PANEL                       |
| SSA<br>14 WHT             | FRONT LEFT SLIDE LOCK<br>(INDICATOR OUTPUT-GROUND)  | FRONT LEFT LOCK SWITCH<br>LED                 |
| SSB<br>14 WHT             | FRONT RIGHT SLIDE LOCK<br>(INDICATOR OUTPUT-GROUND) | FRONT RIGHT LOCK SWITCH<br>LED                |
| SSC<br>14 YEL             | JACK CONTROL PANEL<br>(LEVEL)                       | REMOTE AUTO LEVEL SWITCH                      |
| SSD<br>14 YEL             | JACK CONTROL PANEL<br>(STORE)                       | REMOTE AUTO LEVEL SWITCH                      |
| SSE<br>14 YEL             | JACK CONTROL PANEL<br>(COMMON)                      | REMOTE AUTO LEVEL SWITCH<br>(+)HWH (-)KWIKEE  |
| SSF<br>14 YEL             | JACK CONTROL PANEL<br>(INDICATOR LED)               | REMOTE AUTO LEVEL SWITCH<br>(-)HWH (+)KWIKEE  |
| SSG<br>18 YEL             | TRANSFORMER   | AUTO GENERATOR START<br>MONITOR PANEL         |
| SSH<br>18 WHT             | TRANSFORMER   | AUTO GENERATOR START<br>MONITOR PANEL         |
| SSJ<br>10 YEL             | BRAKE CONTROLLER POWER<br>(30-AMP BREAKER TYPICAL)  | BRAKE CONTROLLER<br>(POWER INPUT)             |
| SSK<br>14 WHT             | BRAKE CONTROLLER<br>(GROUND)                        | GROUND  |
| SSL<br>14 YEL             | CHASSIS REAR LAMP WIRING<br>(LEFT TURN ONLY)        | LEFT TURN SIGNAL<br>*NOT COMBO TURN/BRAKE*    |
| SSM<br>14 YEL             | CHASSIS REAR LAMP WIRING<br>(RIGHT TURN ONLY)       | RIGHT TURN SIGNAL<br>*NOT COMBO TURN/BRAKE*   |
| SSN<br>18 WHT             | FRONT RIGHT SLIDEOUT LOCK<br>END SWITCH (FROM NNS)  | CONTROL MODULE<br>(RIGHT FRONT SLIDE)(GROUND) |
| SSP<br>18 WHT             | LEFT FRONT SLIDEOUT LOCK<br>END SWITCH (FROM DS)    | CONTROL MODULE<br>(LEFT FRONT SLIDE)(GROUND)  |
| SSR<br>16 YEL             | EXTERIOR HOLDING TANK<br>SELECTOR SWITCH            | EXTERIOR MONITOR PANEL                        |
| SSS<br>16 YEL             | EXTERIOR HOLDING TANK<br>SELECTOR SWITCH            | 2ND GALLEY HOLDING TANK                       |

| WIRE IDENTIFICATION CHART |  |  |
|---------------------------|--|--|
| CODE/COLOR                | FROM:  | TO:  |
| SST<br>14 YEL             | GALLEY LAMP SWITCH #1                            | GALLEY LAMP SWITCH #2                                    |
| SSU<br>14 YEL             | GALLEY LAMP SWITCH #1                            | GALLEY LAMP SWITCH #2                                    |
| SSV<br>14 YEL             | BATH CEILING LAMP SWITCH #1<br>(2 SWITCH SYSTEM) | BATH CEILING LAMP SWITCH #2<br>(2 SWITCH SYSTEM)         |
| SSW<br>14 YEL             | BATH CEILING LAMP SWITCH #1<br>(2 SWITCH SYSTEM) | BATH CEILING LAMP SWITCH #2<br>(2 SWITCH SYSTEM)         |
| SSX<br>12 YEL             | DOOR AWNING SWITCH                               | DOOR AWNING CONTROL RELAY<br>(RELAY POSITION 87A EXTEND) |
| SSY<br>12 WHT             | DOOR AWNING SWITCH                               | DOOR AWNING LIMIT SWITCH                                 |
| SSZ<br>14 YEL             | LOUNGE CEILING ROPE LAMP<br>SWITCH (CIRCUIT #2)  | LOUNGE CEILING ROPE LAMP<br>(REF CIRCUIT KKP)            |
| TTA<br>14 YEL             | LEVELING SYSTEM CONTROLS                         | INDICATOR LAMP/ALARM<br>(POSITIVE)                       |
| TTB<br>14 WHT             | LEVELING SYSTEM CONTROLS                         | INDICATOR LAMP/ALARM<br>(NEGATIVE)                       |
| TTC<br>10 YEL             | CHASSIS BATTERY                                  | SLIDEOUT LOCK BREAKER                                    |
| TTD<br>14 YEL             | VEHICLE LEFT HEADLAMP HI<br>BEAM CIRCUIT         | LEFT HI BEAM LAMP  |
| TTE<br>14 YEL             | RELAY  | RIGHT DOCKING LAMP                                       |
| TTF<br>14 YEL             | RELAY  | LEFT DOCKING LAMP  |
| TTG<br>18 YEL             | FRONT THERMOSTAT<br>(MAIN)                       | REMOTE SENSOR  |
| TTH<br>18 YEL             | FRONT THERMOSTAT<br>(MAIN)                       | REMOTE SENSOR  |
| TTJ<br>14 YEL             | BRAKE LAMP<br>CIRCUIT BREAKER                    | BRAKE LAMP RELAY   |
| TTK<br>14 YEL             | RIGHT TURNLAMP<br>CIRCUIT BREAKER                | RIGHT TURN LAMP RELAY                                    |
| TTL<br>14 YEL             | LEFT TURN LAMP<br>CIRCUIT BREAKER                | LEFT TURN LAMP RELAY                                     |
| TTM<br>14 YEL             | BACKUP LAMP<br>CIRCUIT BREAKER                   | BACKUP LAMP RELAY  |

WIRE IDENTIFICATION CHART

| CODE/COLOR    | FROM:   | TO:  |
|---------------|---|--|
| TTN<br>14 YEL | PARK LAMP<br>CIRCUIT BREAKER                            | PARK LAMP RELAY                                  |
| TTP<br>12 YEL | AWNING CONTROL BOX                                      | PATIO AWNING #2<br>(MOTOR POSITIVE)              |
| TTR<br>12 WHT | AWNING CONTROL BOX                                      | PATIO AWNING #2<br>(MOTOR GROUND)                |
| TTS<br>16 YEL | AWNING CONTROL BOX                                      | PATIO AWNING #2<br>(SWITCH EXTEND)               |
| TTT<br>16 YEL | AWNING CONTROL BOX                                      | PATIO AWNING #2<br>(SWITCH COMMON)               |
| TTU<br>16 YEL | AWNING CONTROL BOX                                      | PATIO AWNING #2<br>(SWITCH RETRACT)              |
| TTV<br>16 YEL | AWNING CONTROL BOX                                      | WIND SENSOR #2<br>(POSITIVE)                     |
| TTW<br>16 YEL | AWNING CONTROL BOX                                      | WIND SENSOR #2<br>(NEGATIVE)                     |
| TTX<br>16 YEL | AWNING CONTROL BOX                                      | WIND SENSOR #2<br>(SPEED OUTPUT)                 |
| TTY<br>18 YEL | CHASSIS BATT DISCONNECT RELAY<br>(TERMINAL I)           | CHASSIS BATT DISCONNECT SWITCH                   |
| TTZ<br>18 YEL | CHASSIS BATT DISCONNECT RELAY<br>(TERMINAL S)           | CHASSIS BATT DISCONNECT SWITCH                   |
| UUA<br>18 YEL | CHASSIS BATT DISCONNECT RELAY<br>LOAD SIDE FUSE FEED    | CHASSIS BATT DISCONNECT SWITCH<br>INDICATOR LAMP |
| UUB<br>18 YEL | CHASSIS BATT DISCONNECT RELAY<br>BATTERY SIDE FUSE FEED | CHASSIS BATT DISCONNECT SWITCH                   |
| UUC<br>18 WHT | CHASSIS BATT DISCONNECT SWITCH                          | GROUND   |
| UUD<br>12 YEL | RIGHT REAR SLIDEOUT LOCK<br>SWITCH                      | RIGHT REAR SLIDEOUT LOCK<br>MOTOR                |
| UUE<br>12 YEL | RIGHT REAR SLIDEOUT LOCK<br>SWITCH                      | RIGHT REAR SLIDEOUT LOCK<br>MOTOR                |