

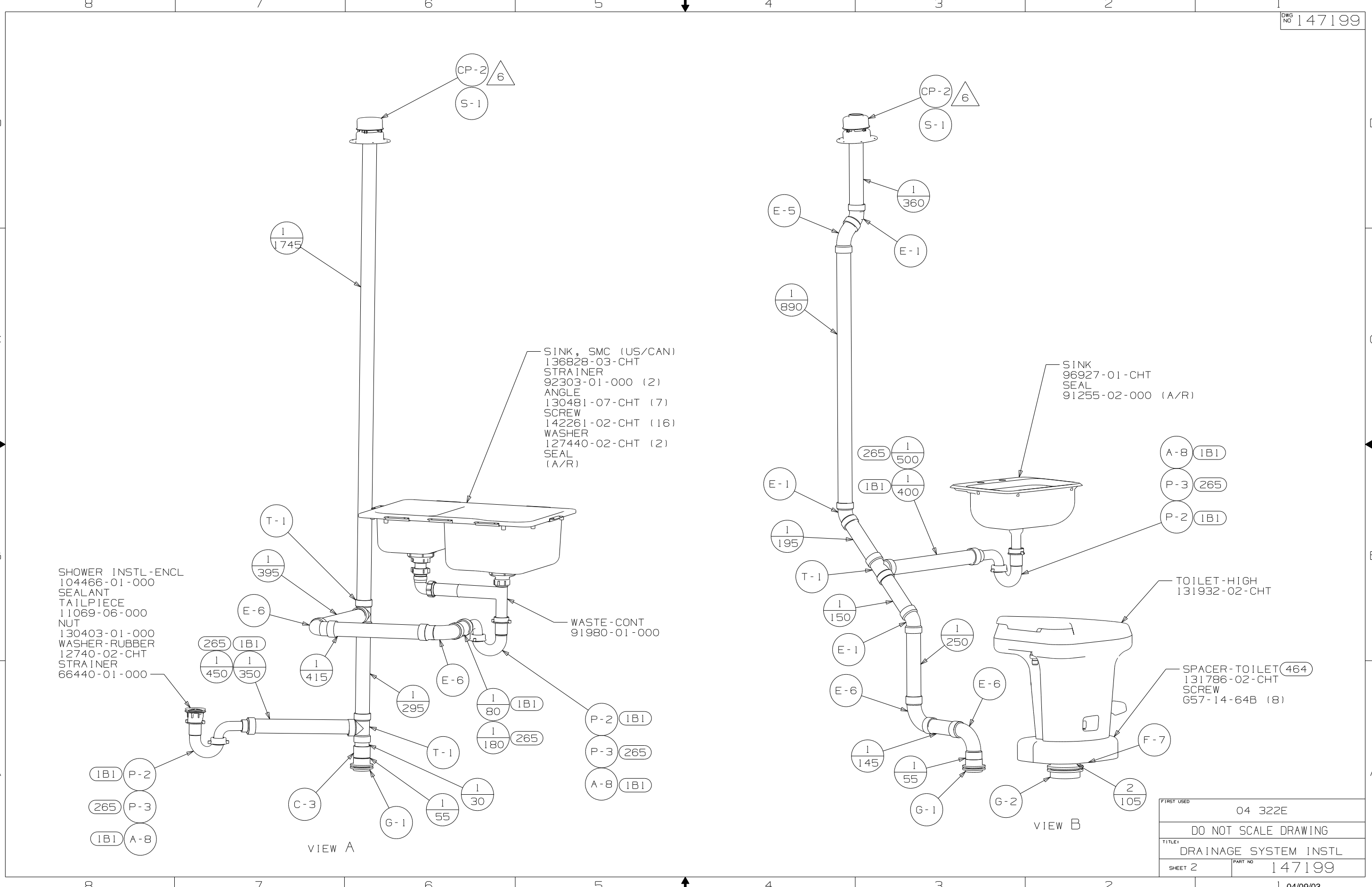
- 6 VENT PIPE MUST PROJECT 51 MIN AND 64 MAX ABOVE ROOF FOR PROPER FIT AND FUNCTION.
5. SEAL AROUND SHOWER WITH SILICONE.
 4. ALL EXTERIOR OPENINGS AROUND PIPE TO BE SEALED WITH 110744-01-000.
 3. ALL PIPE AND FITTINGS TO BE ASSEMBLED WITH SOLVENT 4020-01-000 (US), 4020-02-000 (CAN).
 2. SLOPE OF TRAP ARM MUST BE 6 PER 305 mm.
 1. SLOPE OF HORIZONTAL PIPING TO BE MIN 3 PER 305 mm.

NOTES:

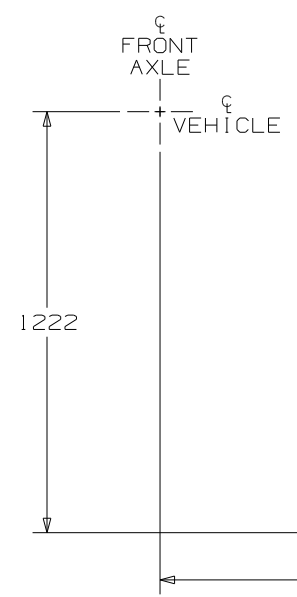
- (1B1) CODES/STANDARDS-USA
- (265) CODES/STDS-CSA/CMVSS
- (464) TOILET
- (43F) SHOWER SURROUND
- (23T) DRAINAGE SYSTEM-HEATED

WINNEBAGO		COPYRIGHT 2003 WINNEBAGO INDUSTRIES, INC.	
D/FR	ORIG. DATE	ALL DIMENSIONS ARE IN MILLIMETERS	
CHKR		FIRST USED	
P.E.		04 322E	
M.E.		UNSPECIFIED TOLERANCES ARE:	
DSNR		MATERIAL:	
		WHOLE DIM (X) :	3
		ONE-PLACE (X.X) :	
		TWO-PLACE (X.XX) :	
		ANGLE :	
THIRD ANGLE PROJECTION		DO NOT SCALE DRAWING	
TITLE:		DRAINAGE SYSTEM INSTL	
SHEET 1 OF 3	PART NO	147199	

FOR
DRAINAGE
CALLOUTS
SEE DWG NO
116229-01-000

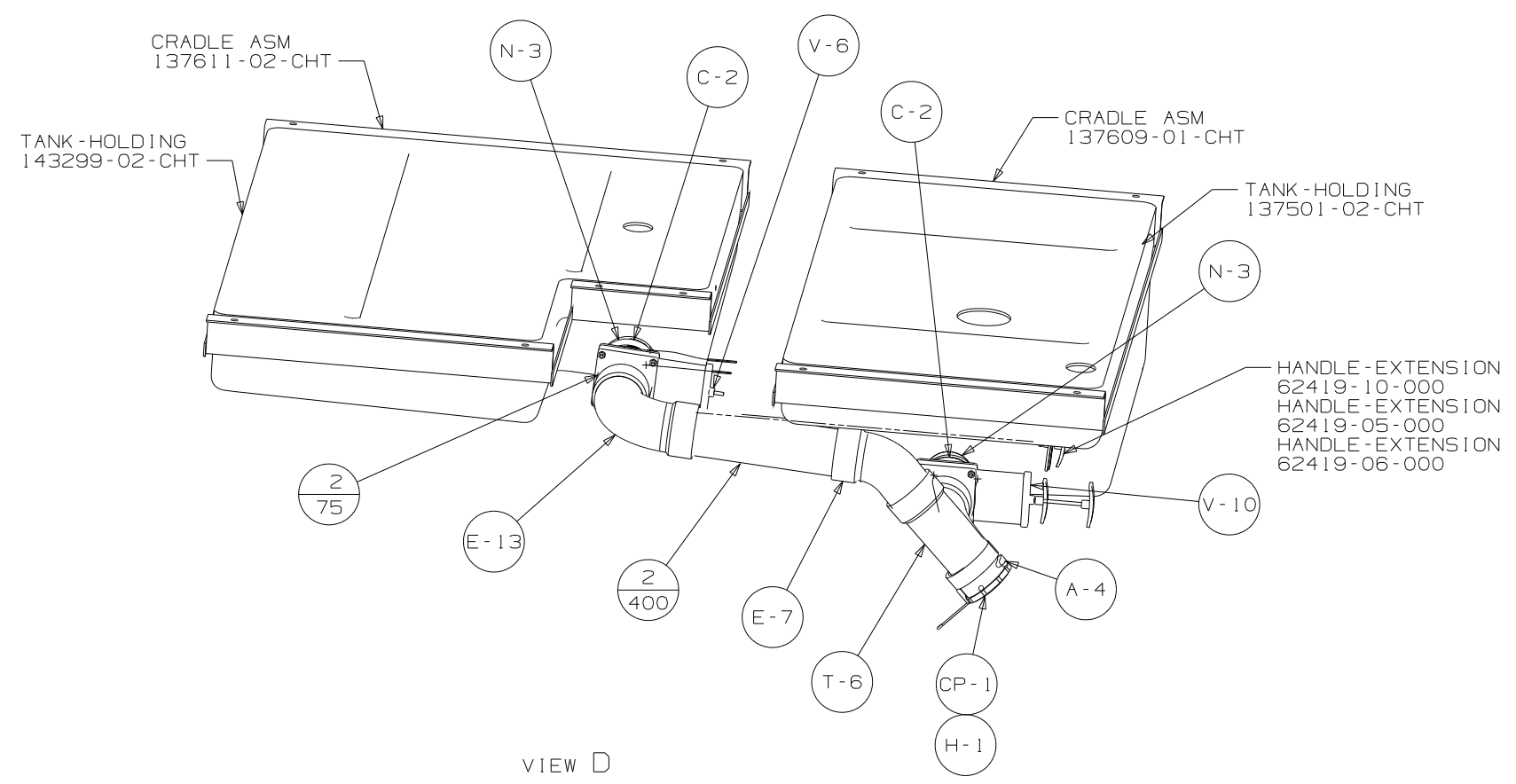
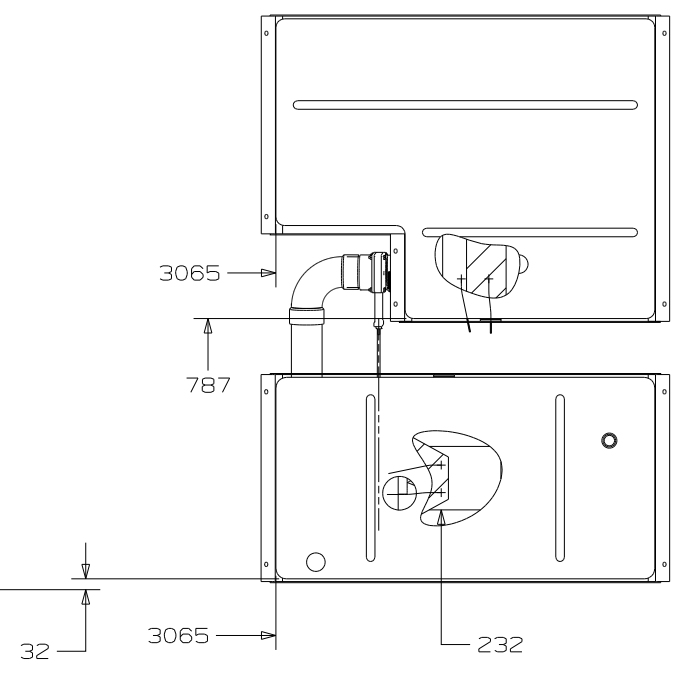


FIRST USED	04 322E
DO NOT SCALE DRAWING	
TITLE	DRAINAGE SYSTEM INSTL
SHEET 2	PART NO 147199

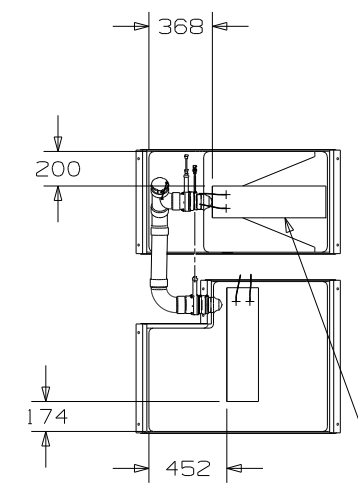


1498

VIEW C



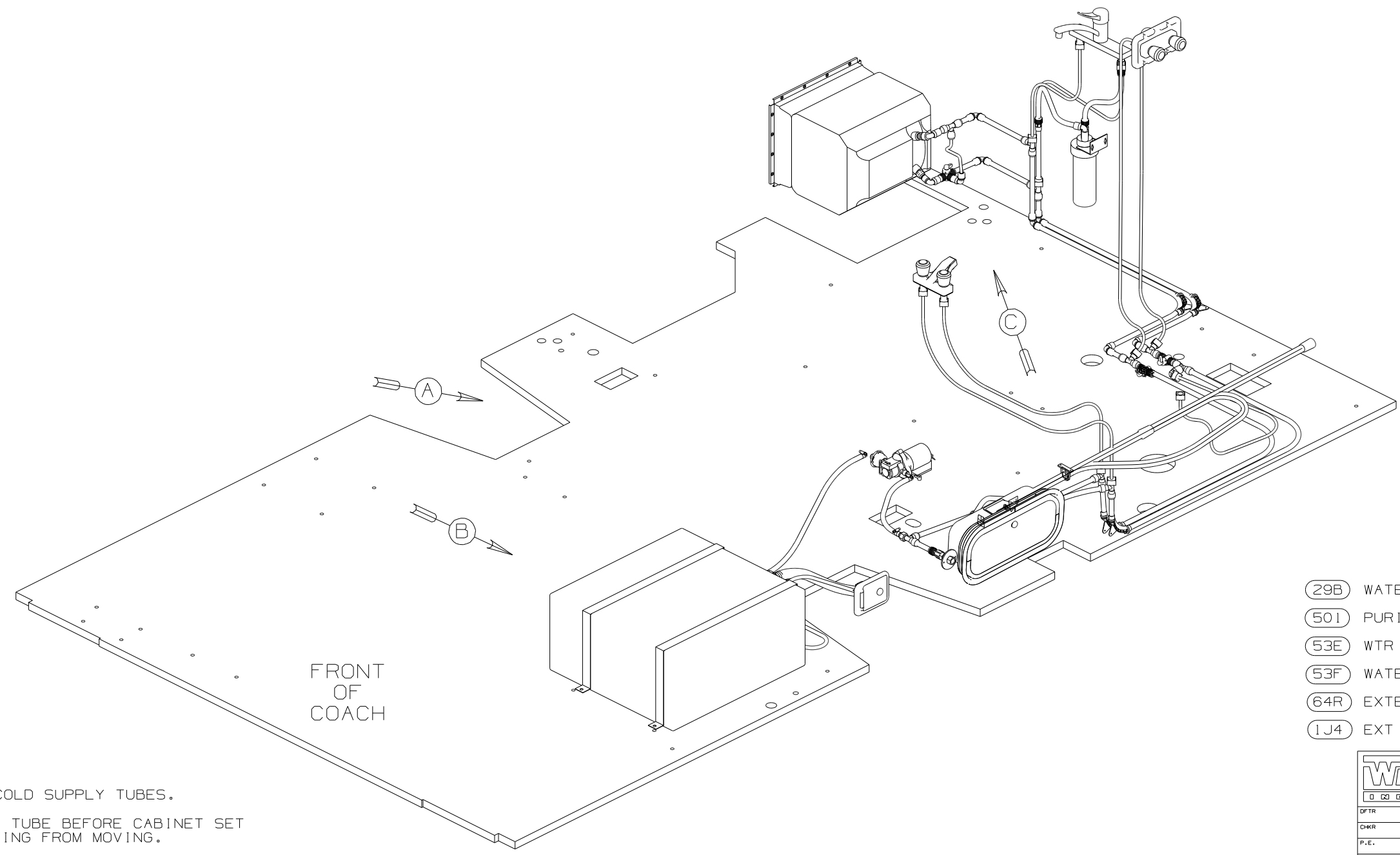
VIEW D



VIEW E

PAD-HEATER (23T)
133972-01-000 (2)

FIRST USED	04 322E
TITLE	DO NOT SCALE DRAWING
SHEET 3	PART NO 147199
1 04/09/03	



- (29B) WATER PURIFIER
- (50I) PURIFIER WITHOUT
- (53E) WTR SYS WNTRZNG PKG
- (53F) WATER HEATER-ELEC IGNITION
- (64R) EXTERIOR WASH STATION
- (1J4) EXT WASH STATION-WITHOUT

- NOTES:
- 7 LABEL HOT AND COLD SUPPLY TUBES.
 - 6 TAPE FITTING TO TUBE BEFORE CABINET SET TO PREVENT FITTING FROM MOVING.
 - 5 ADD TEFLON TAPE 10405-01-000.
 - 4 ADD TEFLON TAPE 10405-02-000.
3. ALL TUBING TO BE SECURED AT 1200 INTERVALS MAXIMUM WITH CLAMP 10495-01-000 OR CLIP 9151-01-000 AND SCREW 667-10-12B.
 2. TUBING TO BE INSTALLED WITH SUFFICIENT SLOPE TO PROVIDE DRAINAGE TO NEAREST VALVE.
 1. PLASTIC FITTINGS TO BE SEALED WITH SEALANT 84456-01-000.

WINNEBAGO		COPYRIGHT 2003 WINNEBAGO INDUSTRIES, INC.	
DFT	ORIG. DATE	ALL DIMENSIONS ARE IN MILLIMETERS	
CHKR		FIRST USED	
P.E.		04 322E	
M.E.		UNSPECIFIED TOLERANCES ARE:	
DSNR		MATERIAL:	
		WHOLE DIM (X) :	3
		ONE-PLACE (X.X) :	
		TWO-PLACE (X.XX) :	
		ANGLE :	
THIRD ANGLE PROJECTION		DO NOT SCALE DRAWING	
TITLE: WATER SYSTEM INSTL			
SHEET 1 OF 3		PART NO 146960	

(X-X)
FOR
WATER
CALLOUTS
SEE DWG NO
116230-01-000

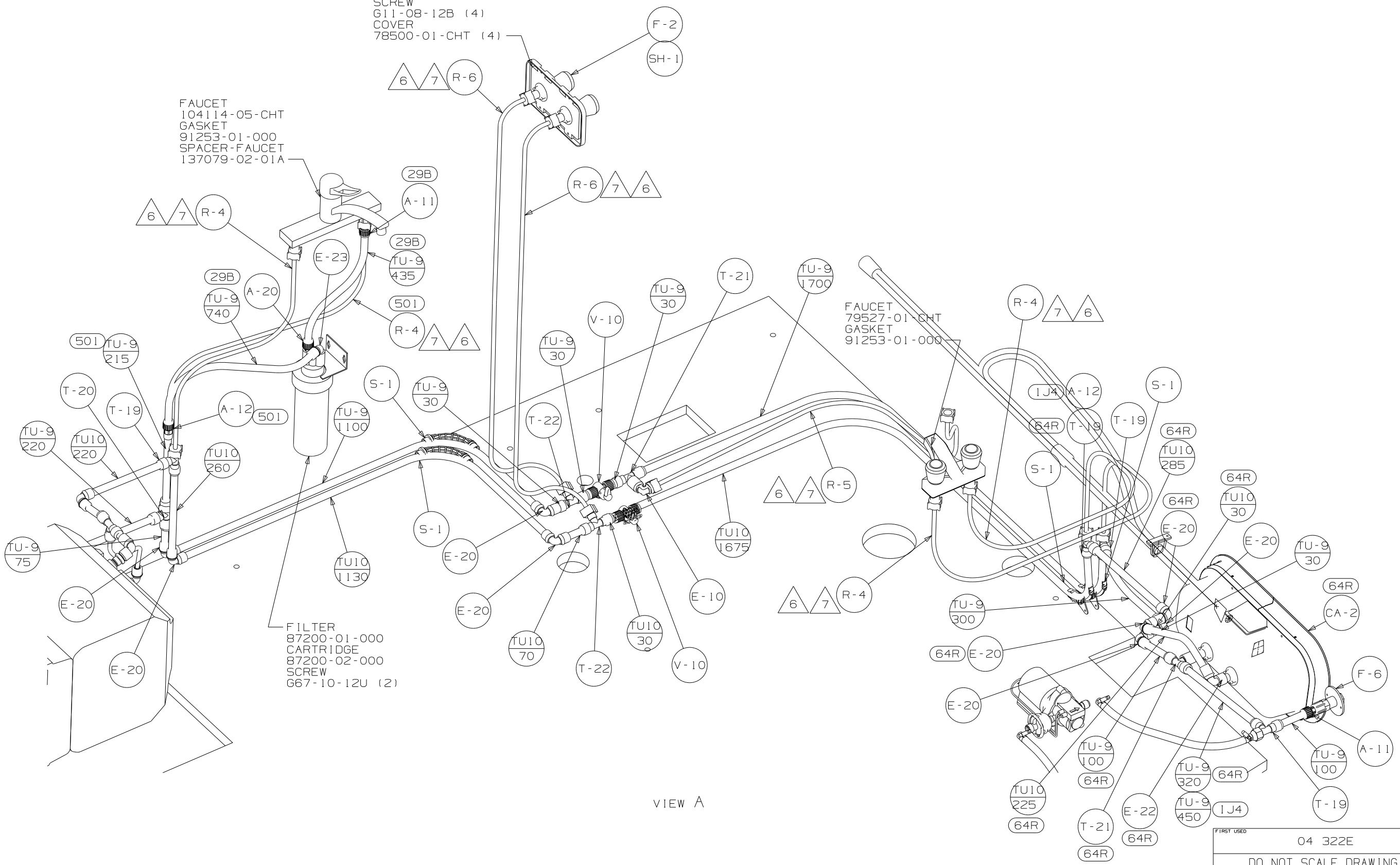
PANEL
78498-01-CHT
SCREW
G11-08-12B (4)
COVER
78500-01-CHT (4)

FAUCET
104114-05-CHT
GASKET
91253-01-000
SPACER-FAUCET
137079-02-01A

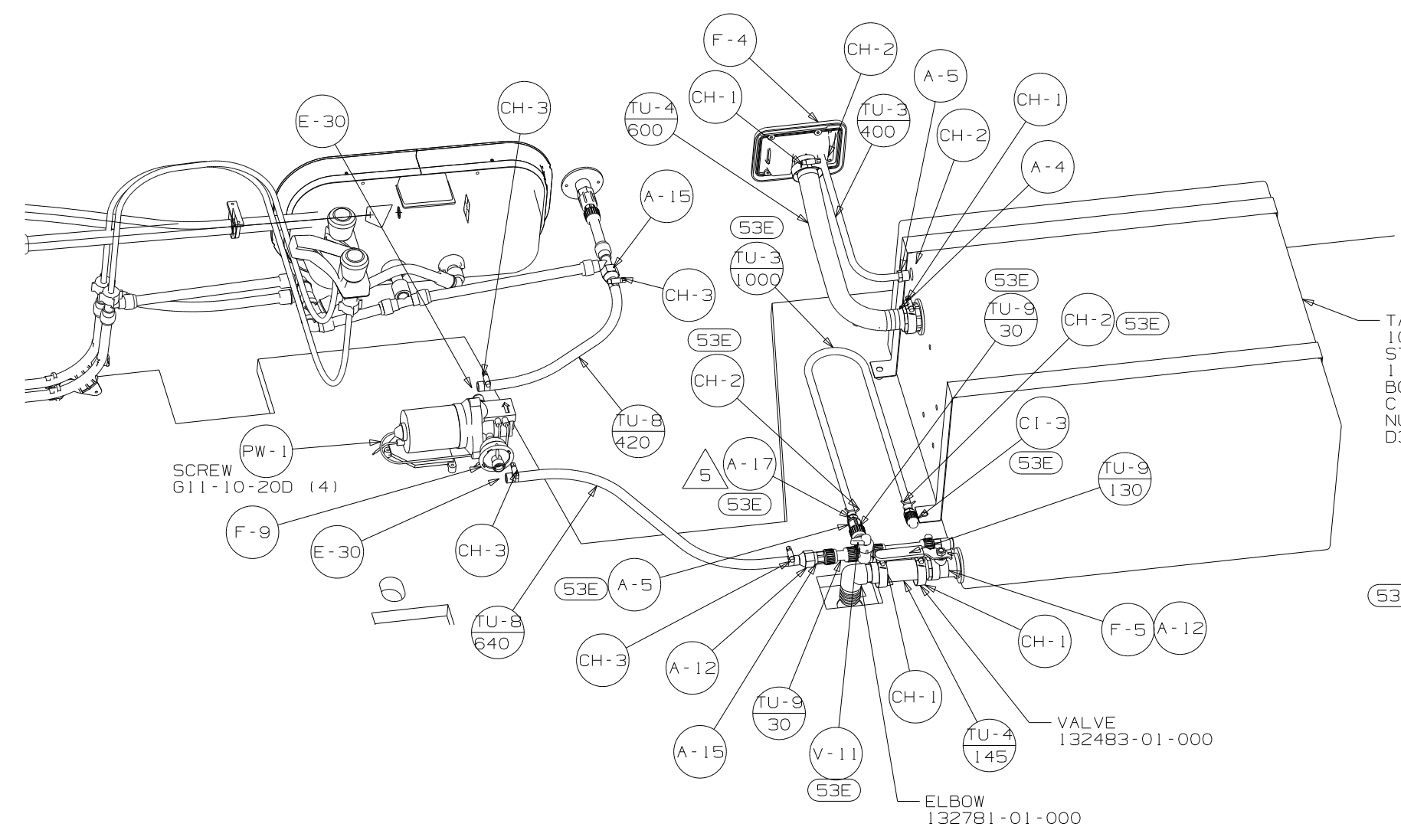
FAUCET
79527-01-CHT
GASKET
91253-01-000

FILTER
87200-01-000
CARTRIDGE
87200-02-000
SCREW
G67-10-12U (2)

VIEW A

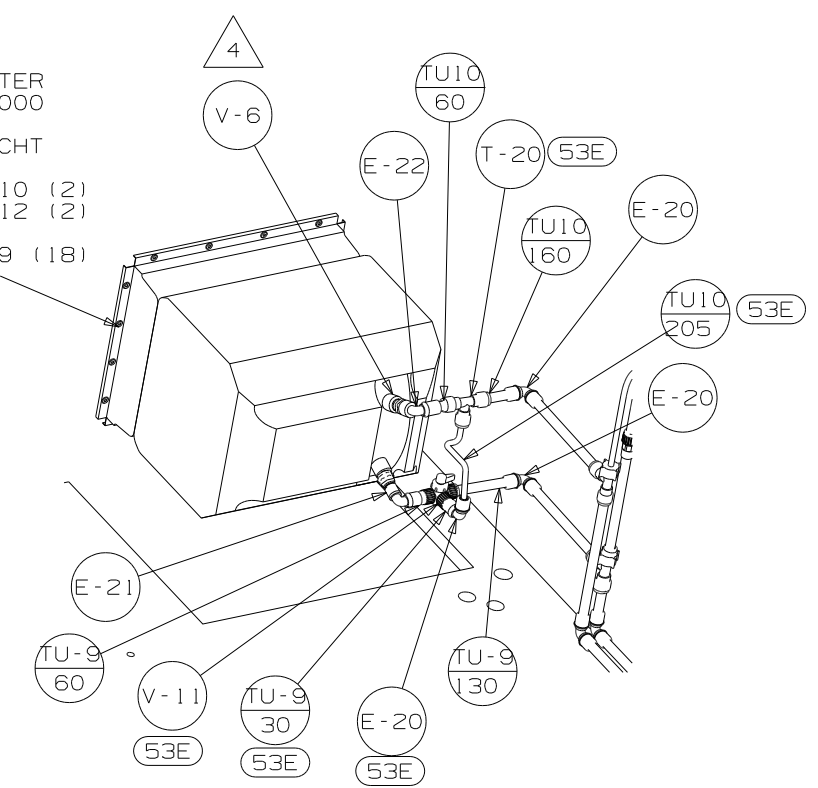


FIRST USED	04 322E
TITLE	DO NOT SCALE DRAWING
TITLE	WATER SYSTEM INSTL
SHEET 2	PART NO 146960
	1 04/09/03



- TANK - WATER
109606-06-000
- STRAP
118994-07-000 (2)
- BOLT
C18-05-40A (4)
- NUT
D39-05-00B (4)

- 53F WATER HEATER
51391-03-000
- DOOR
78506-01-CHT
- AL EXTR
2726-01-210 (2)
- 2726-01-212 (2)
- SCREW
G39-10-169 (18)
- SEALANT



VIEW B

VIEW C

FIRST USED	04 322E
DO NOT SCALE DRAWING	
TITLE:	WATER SYSTEM INSTL
SHEET 3	PART NO 146960