

CP-2 S-1
SEALANT SCREW
G67-10-12G (12)

F-7

H-1

ELBOW-1/2P X 1/2P
123150-01-000
PLUG
114427-02-000

FILTER-IN LINE
114966-01-000

PUMP-WATER
98607-01-000

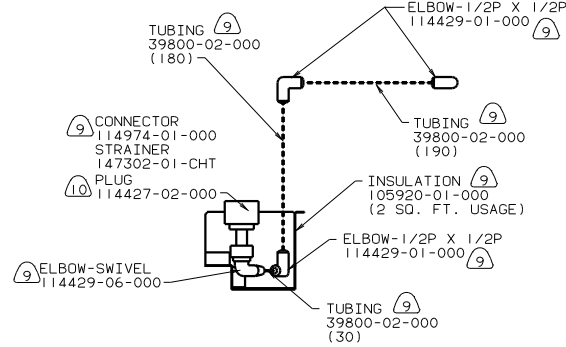
ELBOW-SWIVEL 1/2FPT X 1/2BARB
123150-01-000
PLUG
114427-02-000

TUBING
112176-01-000
(300)

ADAPTER
114430-03-000
ADAPTER
123152-01-000

ELBOW-1/2MPT X 1/2BARB
111223-04-000

VIEW A-A



CONNECTOR
114974-01-000
STRAINER
147302-01-CHT
PLUG
114427-02-000

ELBOW-SWIVEL
114429-06-000

TUBING
39800-02-000
(180)

ELBOW-1/2P X 1/2P
114429-01-000

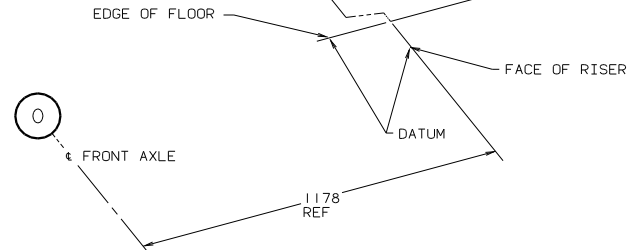
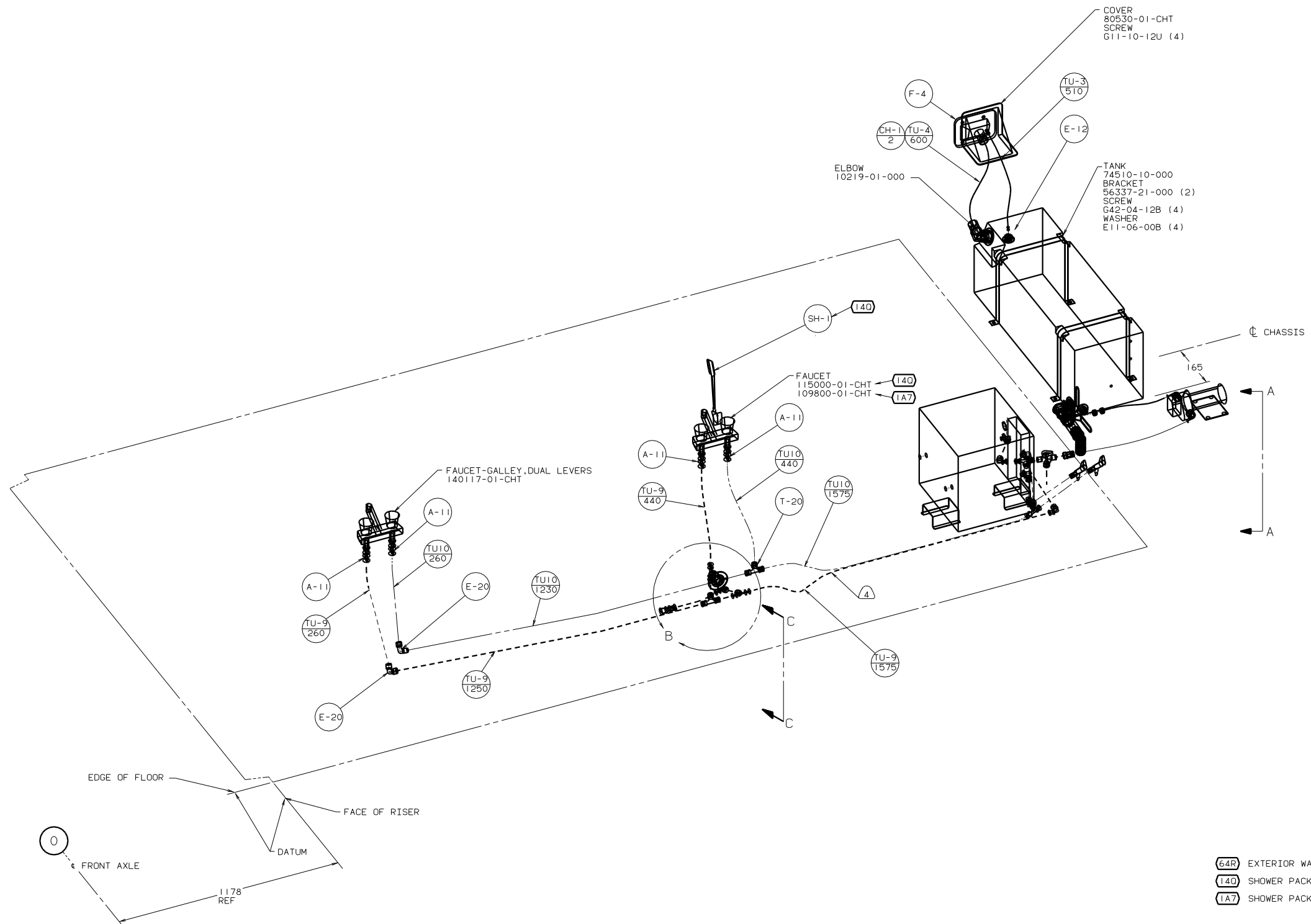
TUBING
39800-02-000
(190)

INSULATION
105920-01-000
(2 SQ. FT. USAGE)

ELBOW-1/2P X 1/2P
114429-01-000

TUBING
39800-02-000
(30)

VIEW B-B



- (64R) EXTERIOR WASH STATION
- (140) SHOWER PACKAGE
- (1A7) SHOWER PACKAGE-WITHOUT

(X-X) FOR WATER CALLOUTS SEE DWG NO. 116230-01-000

5. TRI MARK "KEY ONE" KEY: P/N 130288-01 THRU -10 WATER FILL: P/N 13637-53-000 THRU -009.
- (4) WRAP WATER LINES WITH INSULATION 105290-01-000 ANY PLACE THEY ARE IN CONTACT WITH MONITOR AID LINES. FASTEN WITH WIRE TIES.
3. ALL TUBING TO BE SECURED AT 1200 INTERVALS MAXIMUM WITH CLAMP 10495-01-000 OR CLIP 91951-01-000 AND SCREW G67-10-12B.
2. TUBING TO BE INSTALLED WITH SUFFICIENT SLOPE TO PROVIDE DRAINAGE TO NEAREST VALVE.
1. PLASTIC FITTINGS TO BE SEALED WITH SEALANT 84456-01-000

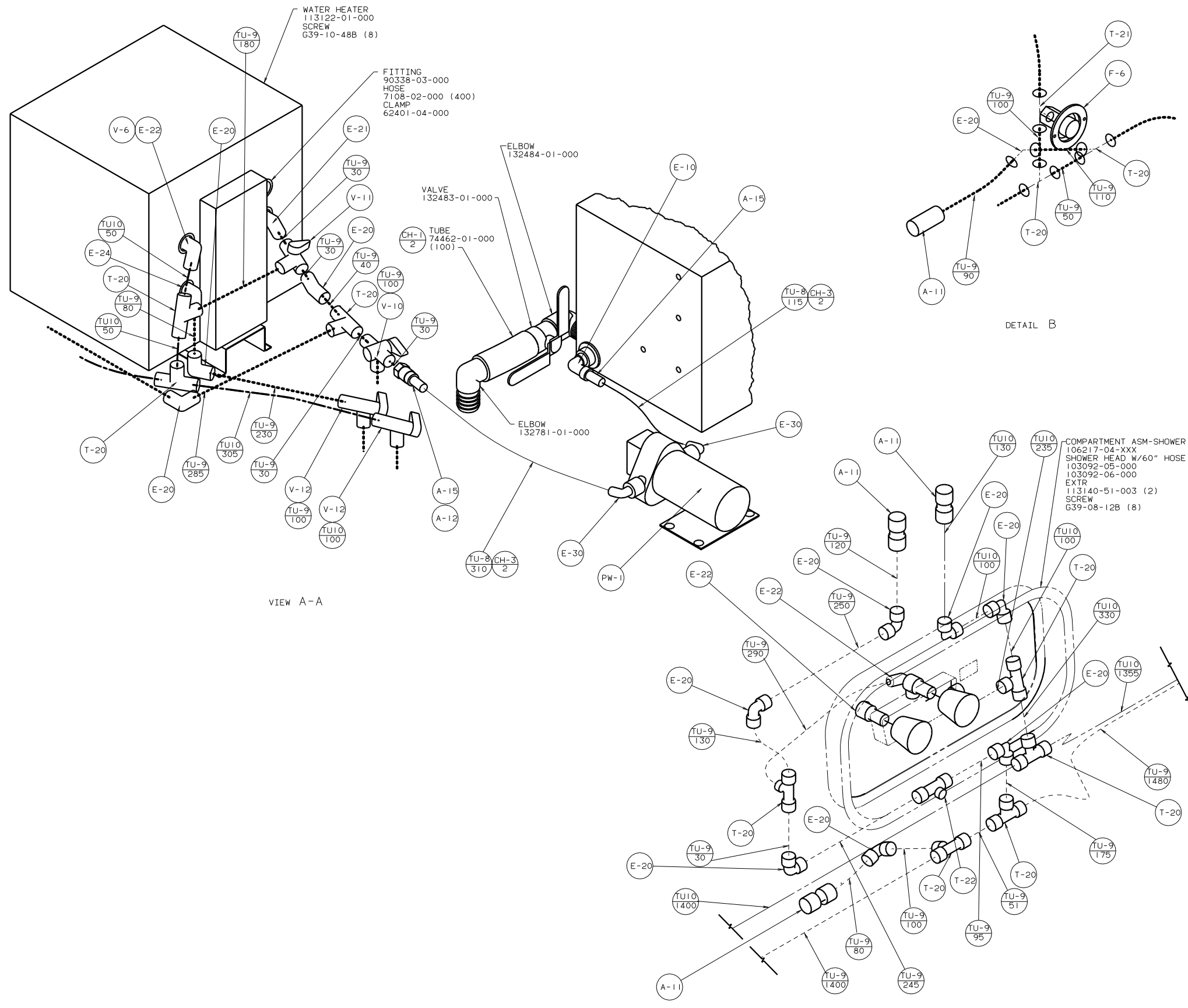
NOTES:

LEGEND	
HOT	-----
COLD

COPYRIGHT 2003 WINNEBAGO INDUSTRIES, INC. **WINNEBAGO** 03 222FD
 LAYOUT NO: 0C222FD TITLE: WATER SYSTEM INSTL
 REF: 133333 c | 08/11/03

DATE	UNSPECIFIED TOLERANCES ARE:	MATERIAL:
DATE	WHOLE DIM (X) ± .7	
DATE	ONE-PLACE (X, X) ± .5	
DATE	TWO-PLACE (X, XX) ± .3	
DATE	ANGLE ± .5	
DATE	THIRD ANGLE PROJECTION	

ALL DIMENSIONS ARE IN MILLIMETERS SHEET 1 OF 2 I E NO 141142



VIEW A-A

DETAIL B

VIEW C-C (64R)
WITH EXTERIOR SHOWER

TITLE		WATER SYSTEM INSTL	
DO NOT SCALE DRAWING	SIZE	DWG NO	141142
SHEET 2 OF 2	DATE	08/11/03	

03 222FD