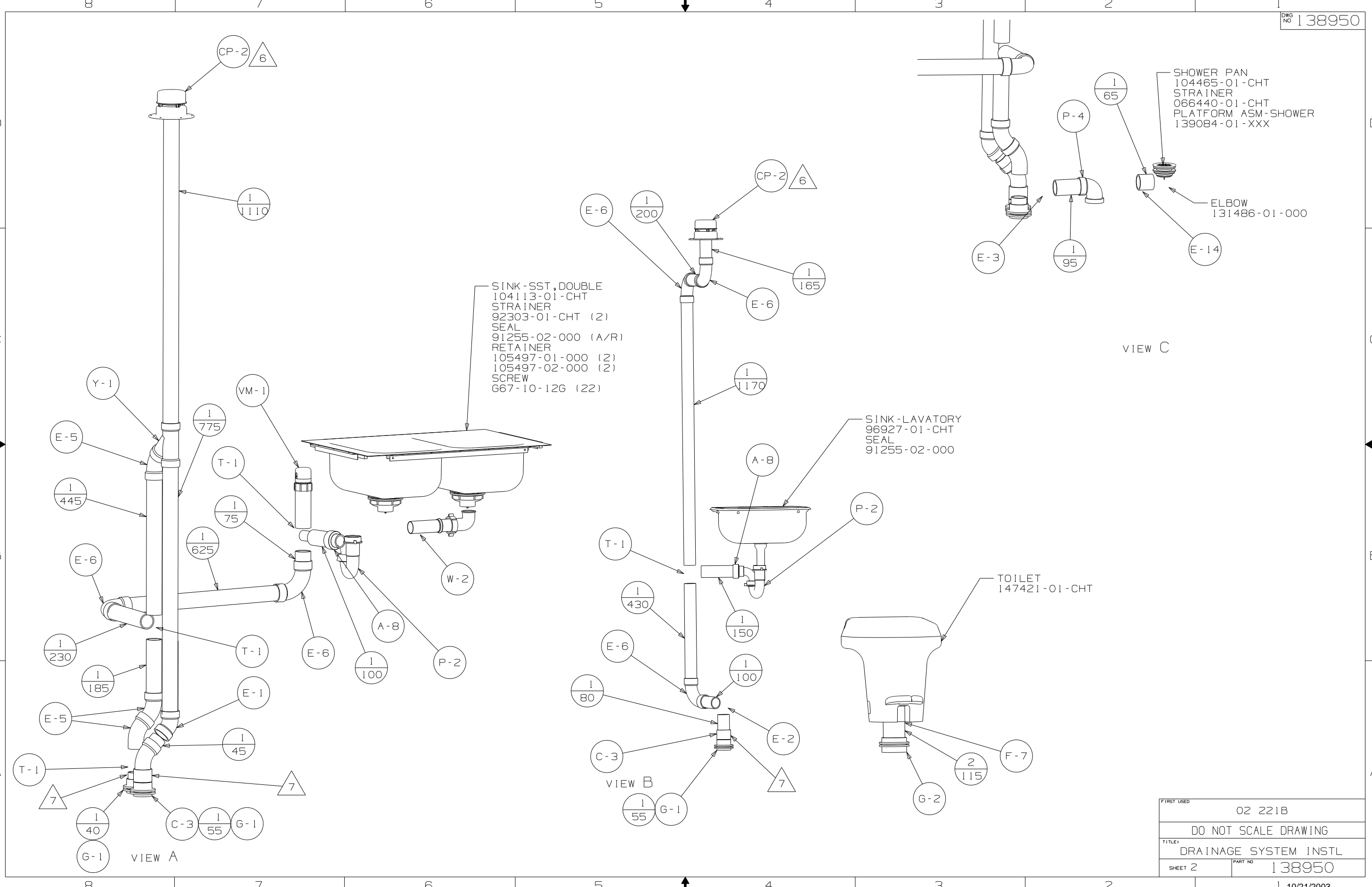


- NOTES:
- 7. SECURE VENTS TO FLOOR WITH BRACKET 136878-01-CHT, CLAMP 62401-02-000, SCREW G67-10-12B.
 - 6. VENT PIPE MUST PROECT 51 MIN AND 64 MAX ABOVE ROOF FOR PROPER FIT AND FUNCTION.
 - 5. SEAL AROUND SHOWER WITH SILICONE.
 - 4. ALL EXTERIOR OPENINGS AROUND PIPE TO BE SEALED WITH 131264-03.
 - 3. ALL PIPE AND FITTINGS TO BE ASSEMBLED WITH SOLVENT 4020-01-000.
 - 2. SLOPE OF TRAP ARM MUST BE 6 PER 305 mm.
 - 1. SLOPE OF HORIZONTAL PIPING TO BE 6 PER 305 mm.

FRONT
OF
COACH

(X-X)
FOR
DRAINAGE
CALLOUTS
SEE DWG NO
116229-01-000

WINNEBAGO		COPYRIGHT 2003 WINNEBAGO INDUSTRIES, INC.	
DFTB	ORIG. DATE	ALL DIMENSIONS ARE IN MILLIMETERS	
CHKR		FIRST USED	
P.E.		02 221B	
M.E.		UNSPECIFIED TOLERANCES ARE:	
DSNR		MATERIAL:	
		WHOLE DIM (X) :	7
		ONE-PLACE (X.X) :	
		TWO-PLACE (X.XX) :	
		ANGLE :	
THIRD ANGLE PROJECTION		DO NOT SCALE DRAWING	
		TITLE: DRAINAGE SYSTEM INSTL	
SHEET 1 OF 3		PART NO 138950	
REF:		1 10/21/2003	



SINK - SST, DOUBLE
 104113-01-CHT
 STRAINER
 92303-01-CHT (2)
 SEAL
 91255-02-000 (A/R)
 RETAINER
 105497-01-000 (2)
 105497-02-000 (2)
 SCREW
 667-10-12G (22)

SINK - LAVATORY
 96927-01-CHT
 SEAL
 91255-02-000

SHOWER PAN
 104465-01-CHT
 STRAINER
 066440-01-CHT
 PLATFORM ASM-SHOWER
 139084-01-XXX

ELBOW
 131486-01-000

FIRST USED	02 221B
DO NOT SCALE DRAWING	
TITLE	DRAINAGE SYSTEM INSTL
SHEET 2	PART NO 138950

SUPPORT-HOLDING TANK
139696-01-XXX

FOAM-SUPPORT
130223-13-000

TANK-HOLDING
139259-02-CHT

BRACKET ASM
139691-01-CHT

TANK-HOLDING
139258-02-CHT

BRACKET ASM
139691-02-CHT

N-3

C-2

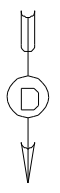
2/60

V-11

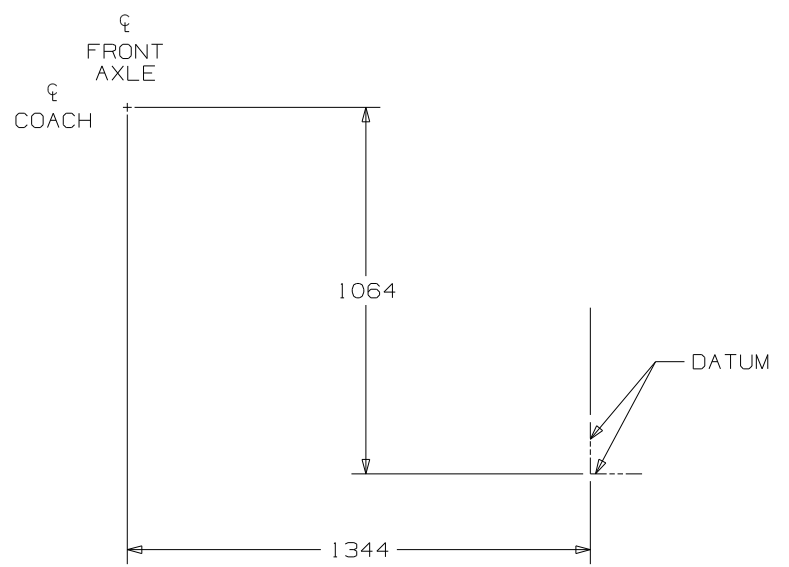
H-1

C-2

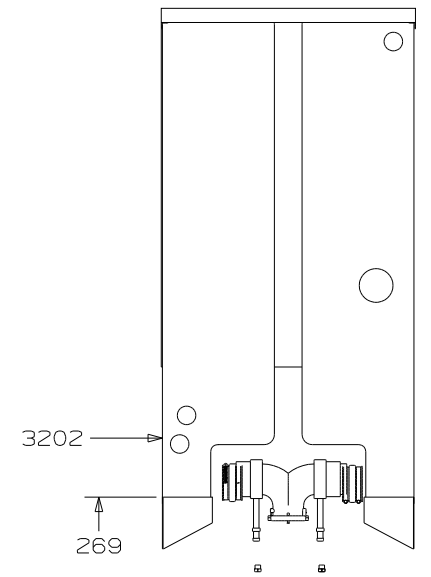
N-3



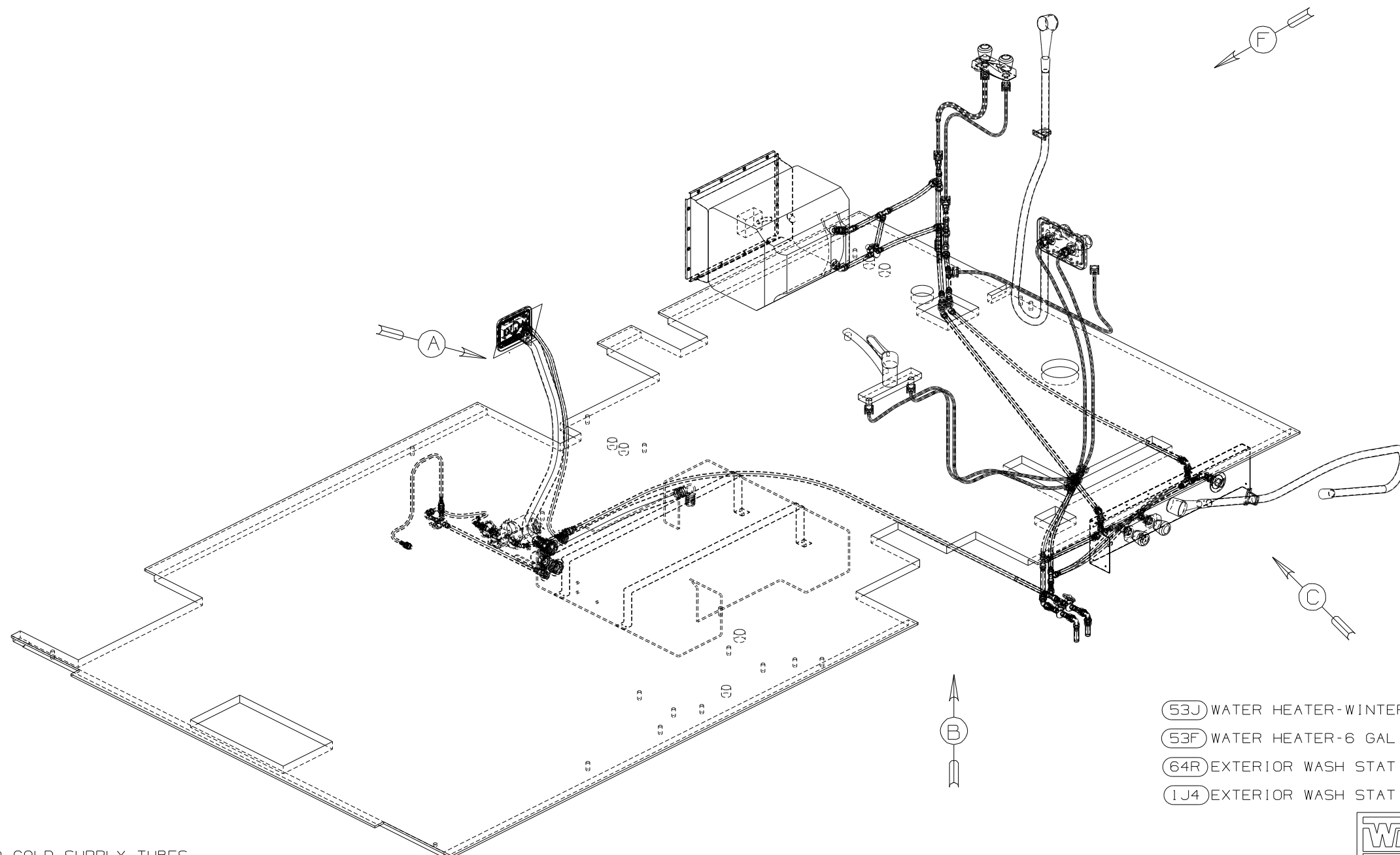
VIEW C



VIEW D



FIRST USED	02 221B
TITLE	DO NOT SCALE DRAWING DRAINAGE SYSTEM INSTL
SHEET 3	PART NO 138950

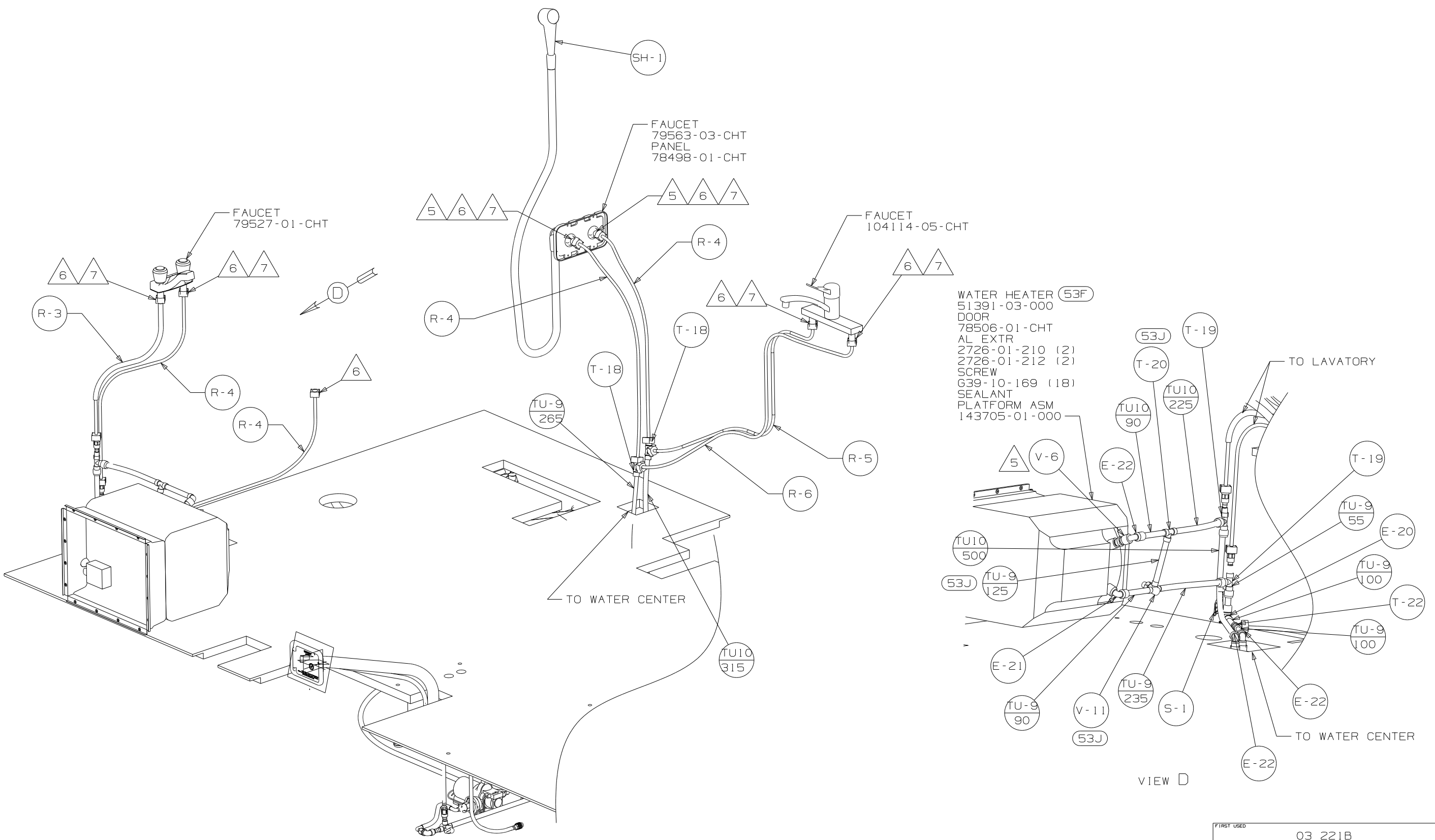


- (53J) WATER HEATER-WINTERIZATION BY-PASS VALVE
- (53F) WATER HEATER-6 GAL ELEC IGN
- (64R) EXTERIOR WASH STATION
- (1J4) EXTERIOR WASH STATION-WITHOUT

- NOTES:
- 7 LABEL THE HOT AND COLD SUPPLY TUBES.
 - 6 TAPE FITTING TO TUBE, BEFORE CABINET SET, TO PREVENT FITTING FROM MOVING.
 - 5 ADD TEFLON TAPE 10405-01-000 TO FITTING.
 - 4 ADD TEFLON TAPE 10405-03-000 TO FITTING.
3. ALL TUBING TO BE SECURED AT 1200 INTERVALS MAXIMUM WITH CLAMP 10495-01-000 OR CLIP 9151-01-000 AND SCREW G67-10-12B.
 2. TUBING TO BE INSTALLED WITH SUFFICIENT SLOPE TO PROVIDE DRAINAGE TO NEAREST VALVE.
 1. PLASTIC FITTINGS TO BE SEALED WITH SEALANT 84456-01-000.

WINNEBAGO		COPYRIGHT 2003 WINNEBAGO INDUSTRIES, INC.	
DFTR	ORIG. DATE	ALL DIMENSIONS ARE IN MILLIMETERS	
CHKR		FIRST USED	
P.E.		03 221B	
M.E.		UNSPECIFIED TOLERANCES ARE:	
DSNR		MATERIAL:	
		WHOLE DIM (X)	: 7
		ONE-PLACE (X.X)	:
		TWO-PLACE (X.XX)	:
		ANGLE	:
THIRD ANGLE PROJECTION		DO NOT SCALE DRAWING	
TITLE: WATER SYSTEM INSTL			
SHEET 1 OF 4		PART NO 141865	

(X-X)
FOR
WATER
CALLOUTS
SEE DWG NO
116230-01-000



FAUCET
79563-03-CHT
PANEL
78498-01-CHT

FAUCET
79527-01-CHT

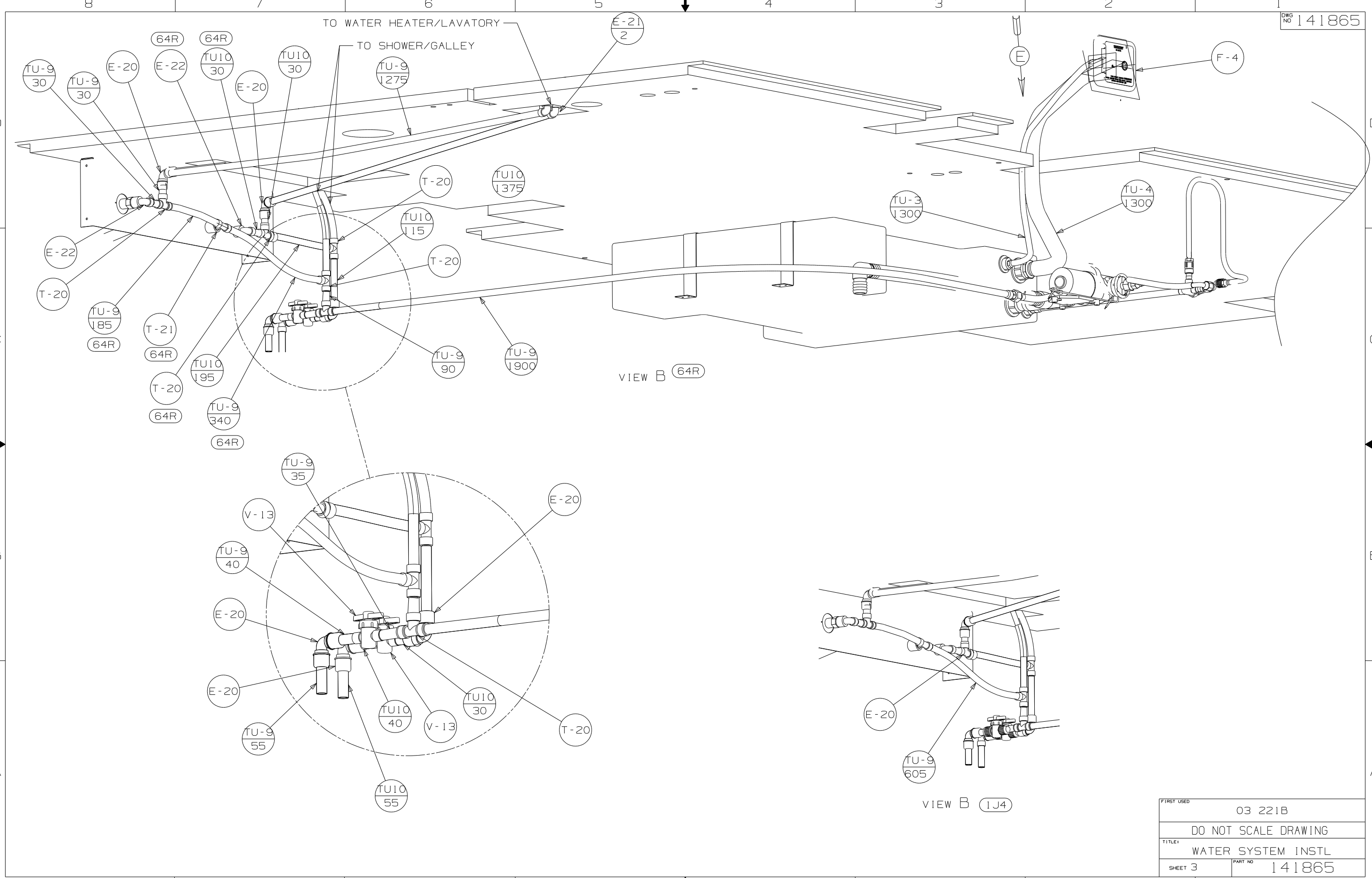
FAUCET
104114-05-CHT

WATER HEATER (53F)
51391-03-000
DOOR
78506-01-CHT
AL EXTR
2726-01-210 (2)
2726-01-212 (2)
SCREW
639-10-169 (18)
SEALANT
PLATFORM ASM
143705-01-000

VIEW A

VIEW D

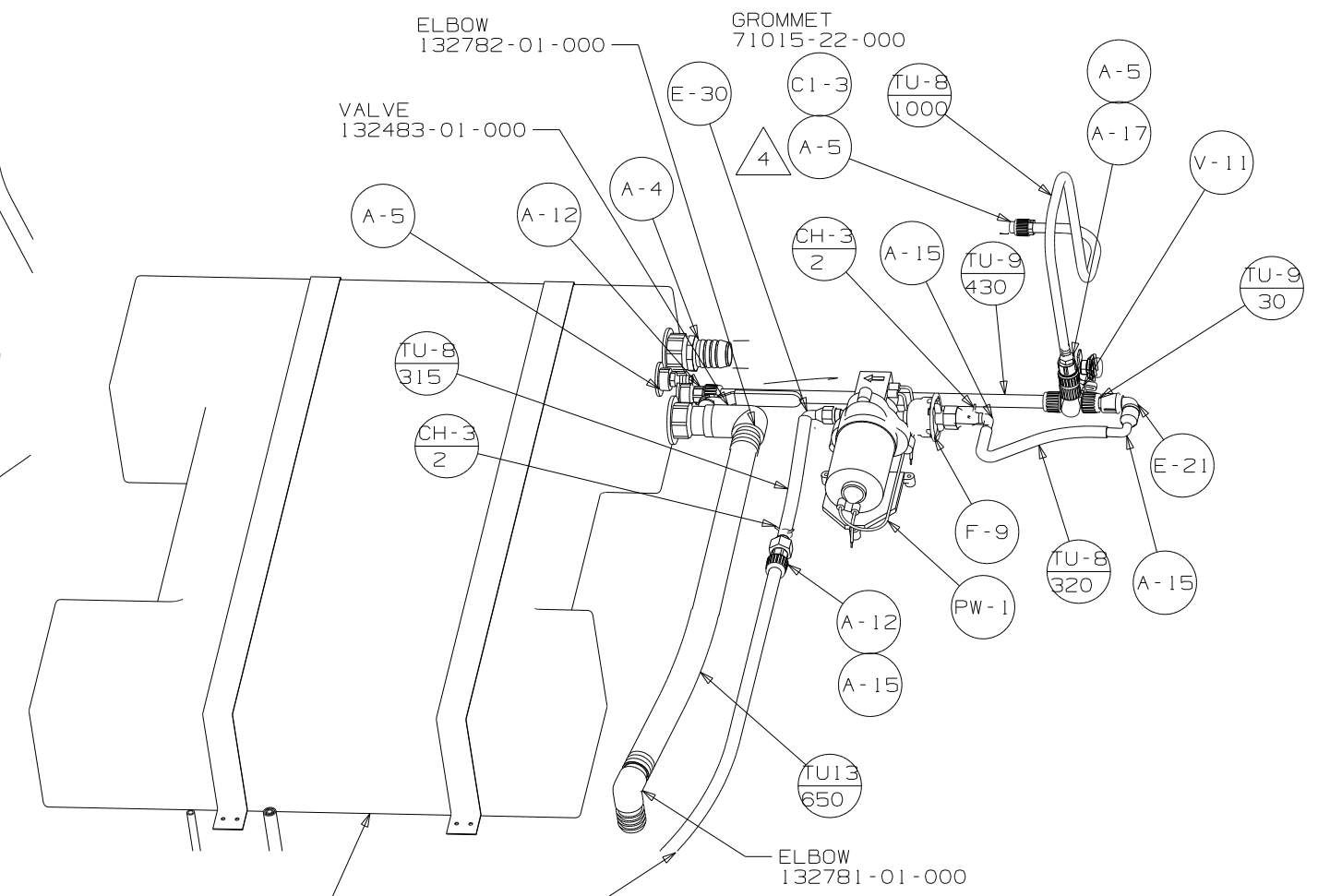
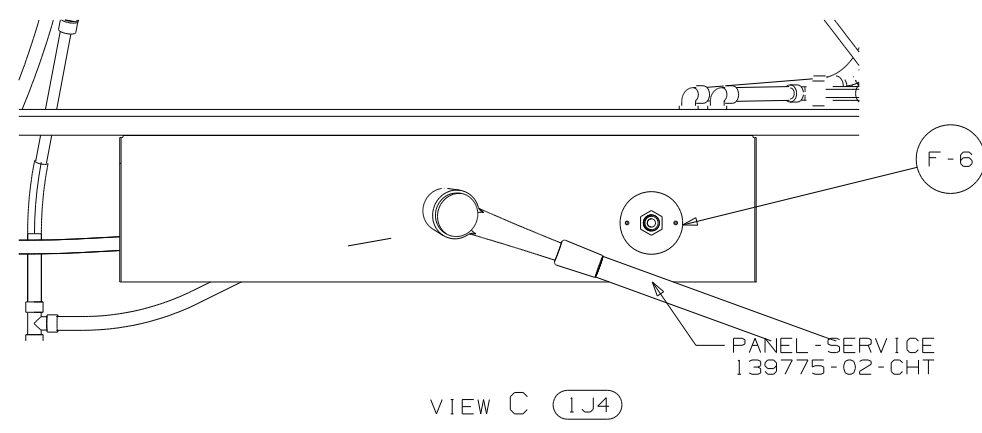
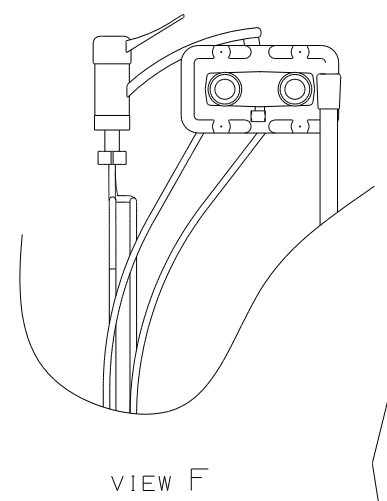
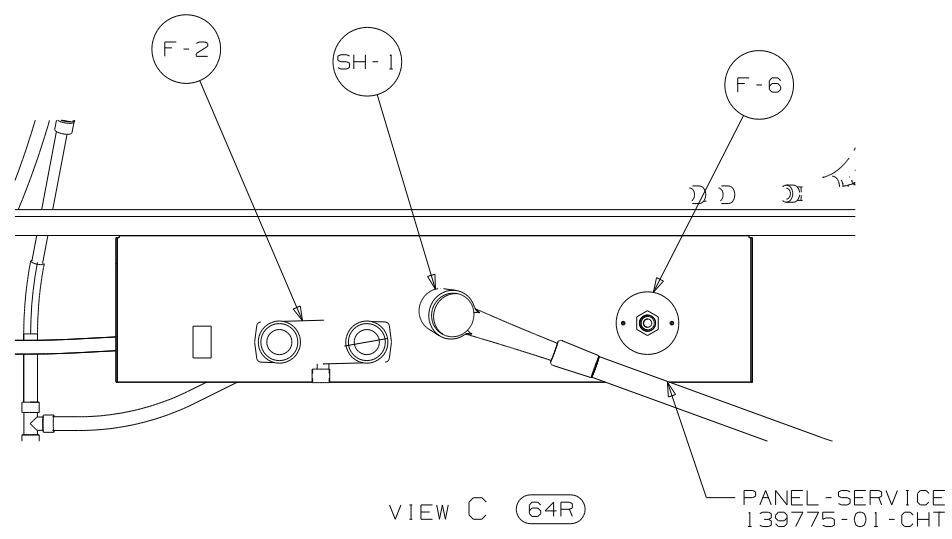
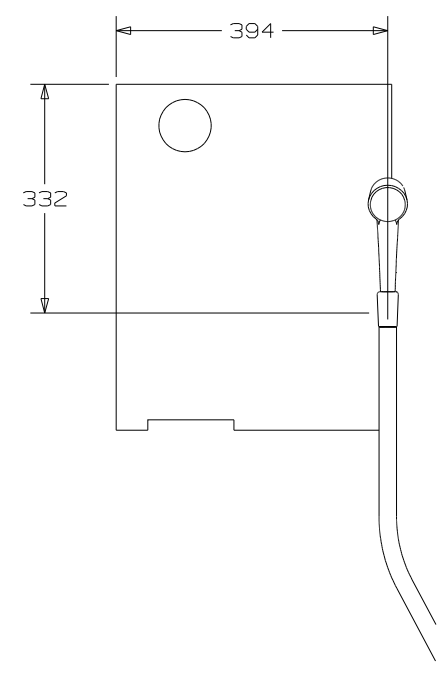
FIRST USED	03 221B
TITLE	DO NOT SCALE DRAWING
TITLE	WATER SYSTEM INSTL
SHEET 2	PART NO 141865



VIEW B (64R)

VIEW B (1J4)

FIRST USED	03 221B
DO NOT SCALE DRAWING	
TITLE	WATER SYSTEM INSTL
SHEET 3	PART NO 141865



TANK - WATER, 20 GAL
128785-04-000
STRAP - TANK
139774-01-CHT (2)

VIEW E

FIRST USED	03 221B
TITLE	DO NOT SCALE DRAWING
	WATER SYSTEM INSTL
SHEET 4	PART NO 141865