



DANGER

Danger of electrical shock, burns or death. Always remove all power sources before attempting any repair, service or diagnostic work. Power can be present from shore power, generator, inverter or battery. All power sources must be disabled and secured before performing any service.

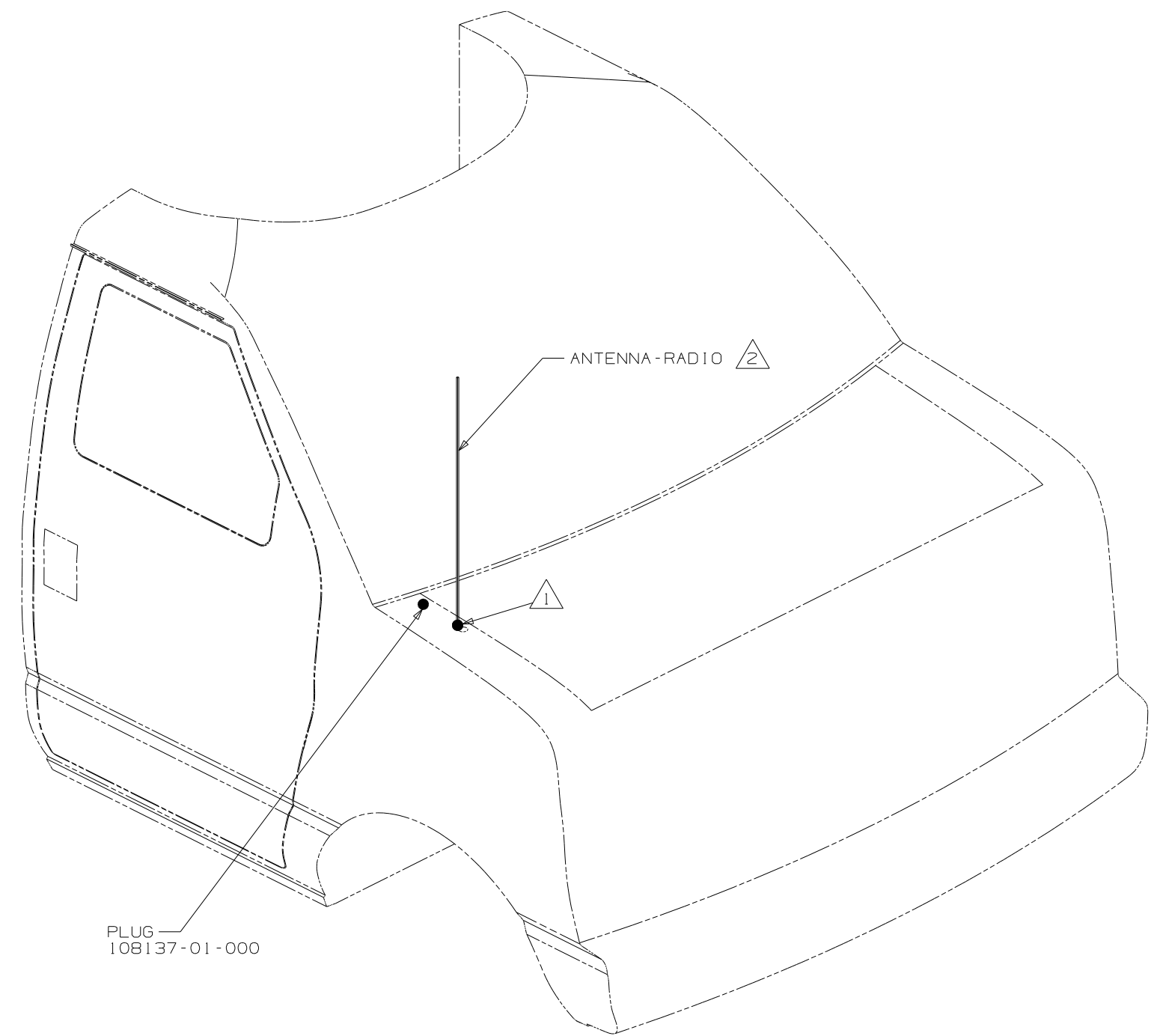


CAUTION

If you lack the skills, tools or equipment to perform diagnostic or repair work leave such work to an authorized Winnebago Industries dealer or other qualified shop.

| DWG NO | SHEET |
|-----------|-------|
| 141323-01 | 1 |
| 141323-02 | 2 |
| 141323-03 | 3 |

| | | |
|----------|-----------------|---------------|
| RELEASE | REV DATE | DWG NO |
| A | | 141323 |
| REV ZONE | REVISION RECORD | DATE DFR-ORIG |
| | | |

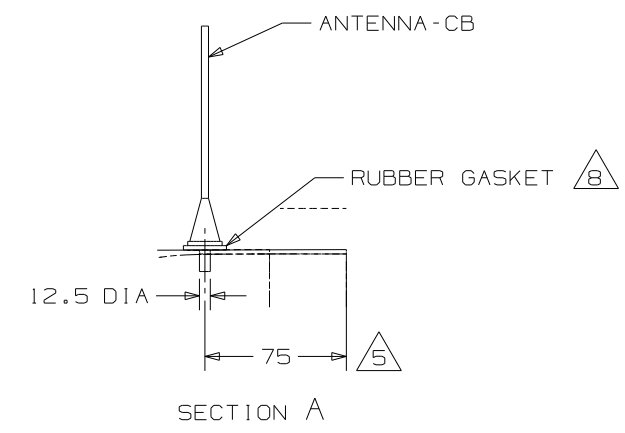
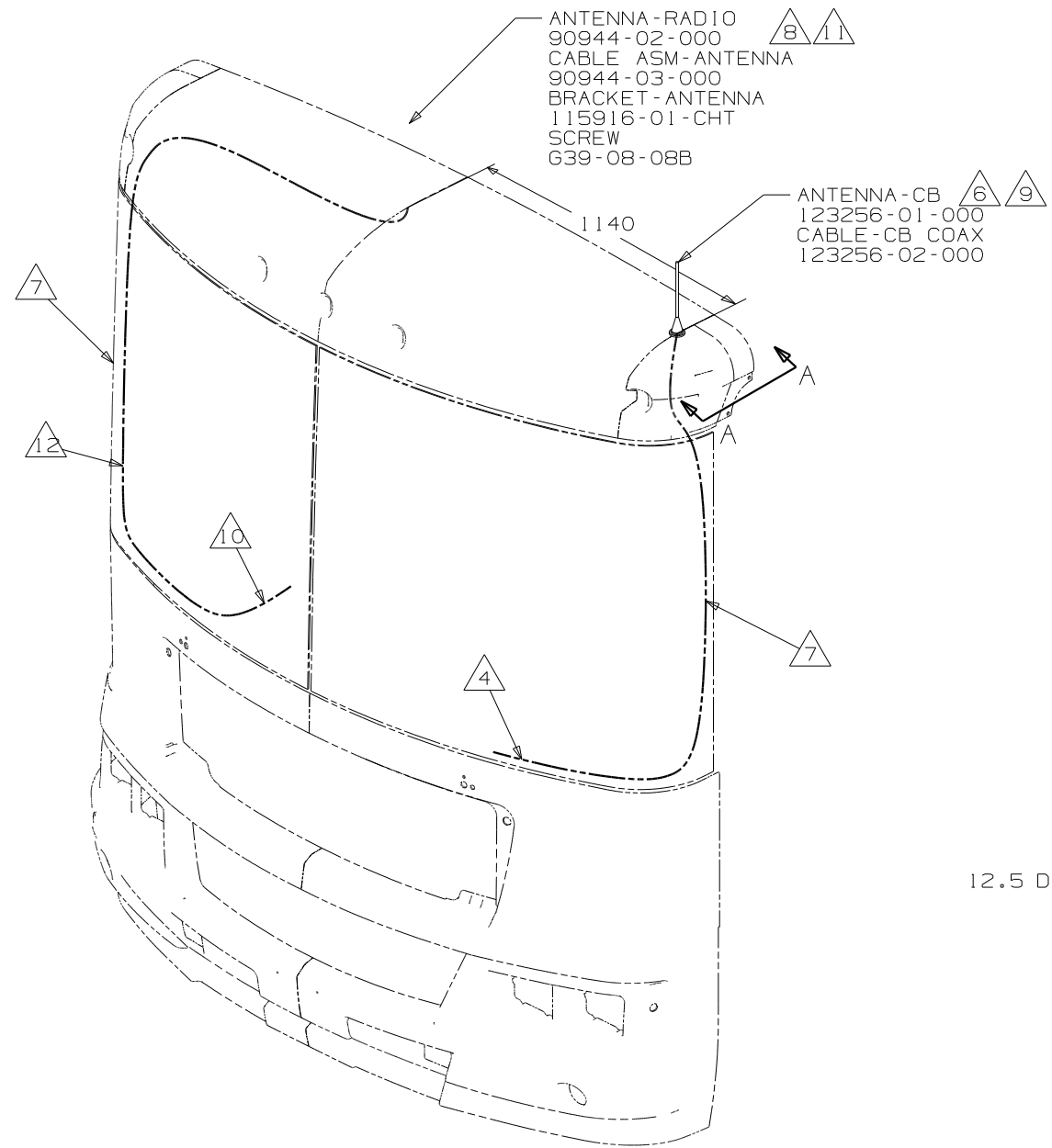


- NOTES:
- 12 TAP CABLE EXTENSION TO CABLE ANTENNA AT CONNECTION, USE TAPE 8363-01-000.
 - 11 USE HOLE IN BRACKET AS GUIDE TO DRILL 13 DIAMETER HOLE IN FIBERGLASS.
 - 10 TO RADIO.
 - 9 ATTACH ANTENNA-CB GROUND WIRE TO CAB FRAME USE SCREW G39-08-08B.
 - 8 SEAL AROUND ANTENNA BASE.
 - 7 ROUTE CABLE ALONG A-POST, UNDER TRIM COVER.
 - 6 40J CB PREP.
 - 5 MEASURED FROM REAR EDGE OF FIBERGLASS CAP.
 - 4 SEE WIRING INSTL-FRONT END FOR LOCATION OF COAX END AND LABEL.
 - 3 DO NOT RELOCATE ANTENNA ON SHELLS.
 - 2 SUPPLIED WITH CHASSIS.
 - 1 SEE FRAME ASM-CHASSIS FOR HOLE LOCATION AND SIZE.



PLUG
108137-01-000



FORD CHASSIS
300 SERIES ONLY
EXCEPT SHELLS

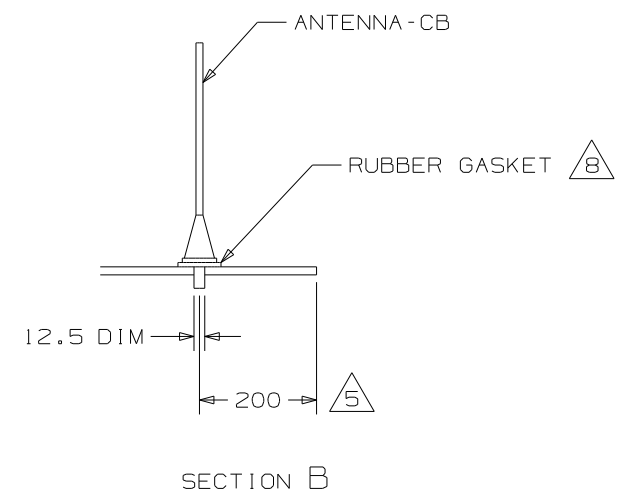
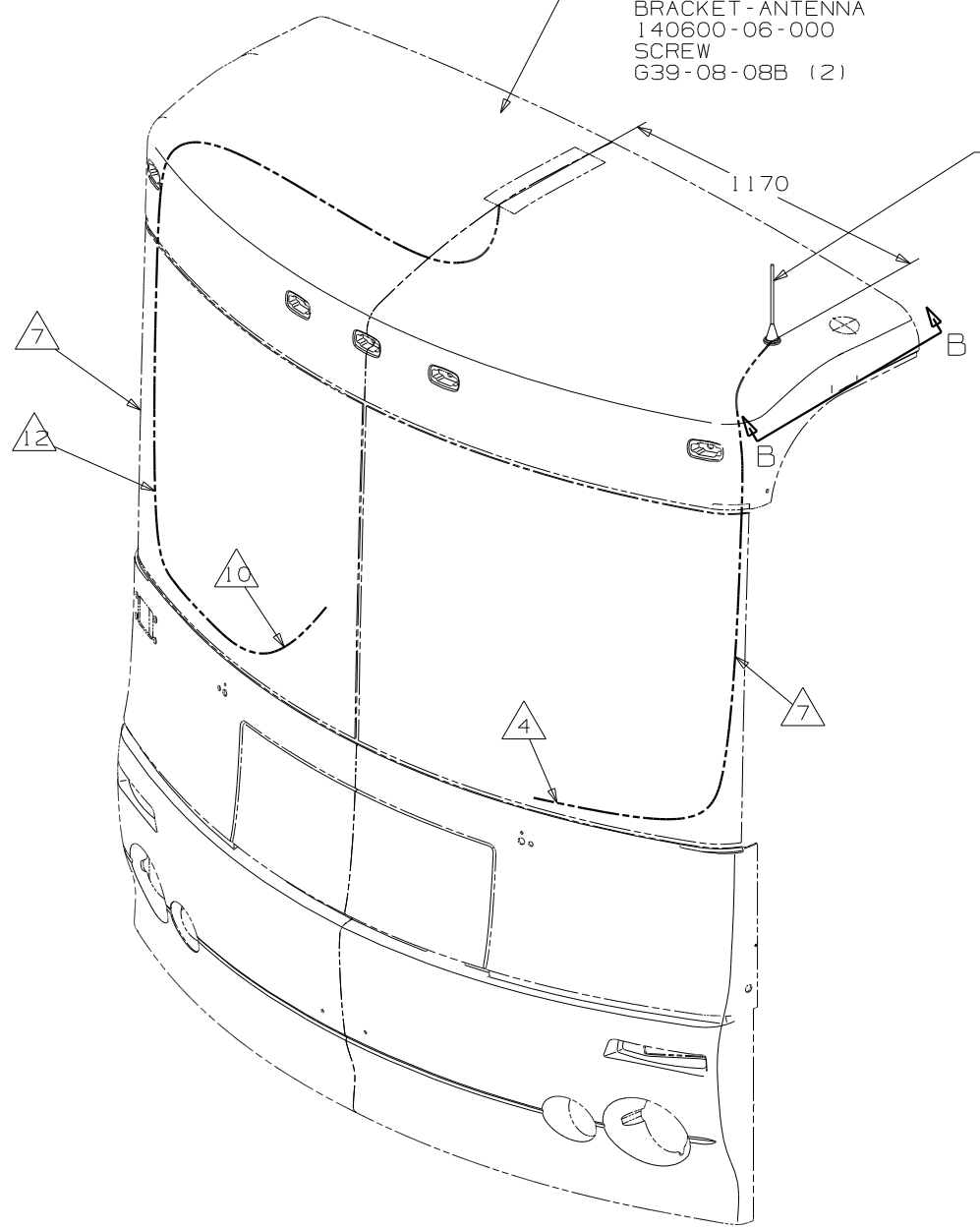
| | | | |
|--------------------------------------|--------------|---|---|
| WINNEBAGO | | COPYRIGHT 2005 WINNEBAGO INDUSTRIES, INC. | |
| DFTR | ORIG. DATE | ALL DIMENSIONS ARE IN MILLIMETERS | |
| CHKR | | FIRST USED | |
| P.E. | | 03 MOTORHOMES | |
| M.E. | | UNSPECIFIED TOLERANCES ARE: | |
| DSNR | | MATERIAL: | |
| | | WHOLE DIM (X) | : |
| | | ONE-PLACE (X.X) | : |
| | | TWO-PLACE (X.XX) | : |
| | | ANGLE | : |
| THIRD ANGLE PROJECTION | | | |
| DO NOT SCALE DRAWING | | | |
| TITLE: ANTENNA INSTL-RADIO AND CB | | | |
| SHEET 1 OF 3 | PART NO | 141323 | |
| REF: | 1 10/31/2005 | | |



| | |
|----------------------------|----------------|
| FIRST USED | |
| D,L,F&G-SERIES,40J CB PREP | |
| DO NOT SCALE DRAWING | |
| TITLE: | |
| ANTENNA INSTL-RADIO AND CB | |
| SHEET 2 | PART NO 141323 |

ANTENNA - RADIO  
90944-02-000
CABLE ASM-ANTENNA
90944-03-000
BRACKET-ANTENNA
140600-06-000
SCREW
G39-08-08B (2)

ANTENNA - CB  
123256-01-000
CABLE - CB COAX
123256-02-000



| | |
|----------------------------|---------|
| FIRST USED | |
| P&Q-SERIES, 40J CB PREP | |
| DO NOT SCALE DRAWING | |
| TITLE: | |
| ANTENNA INSTL-RADIO AND CB | |
| SHEET 3 | PART NO |
| | 141323 |