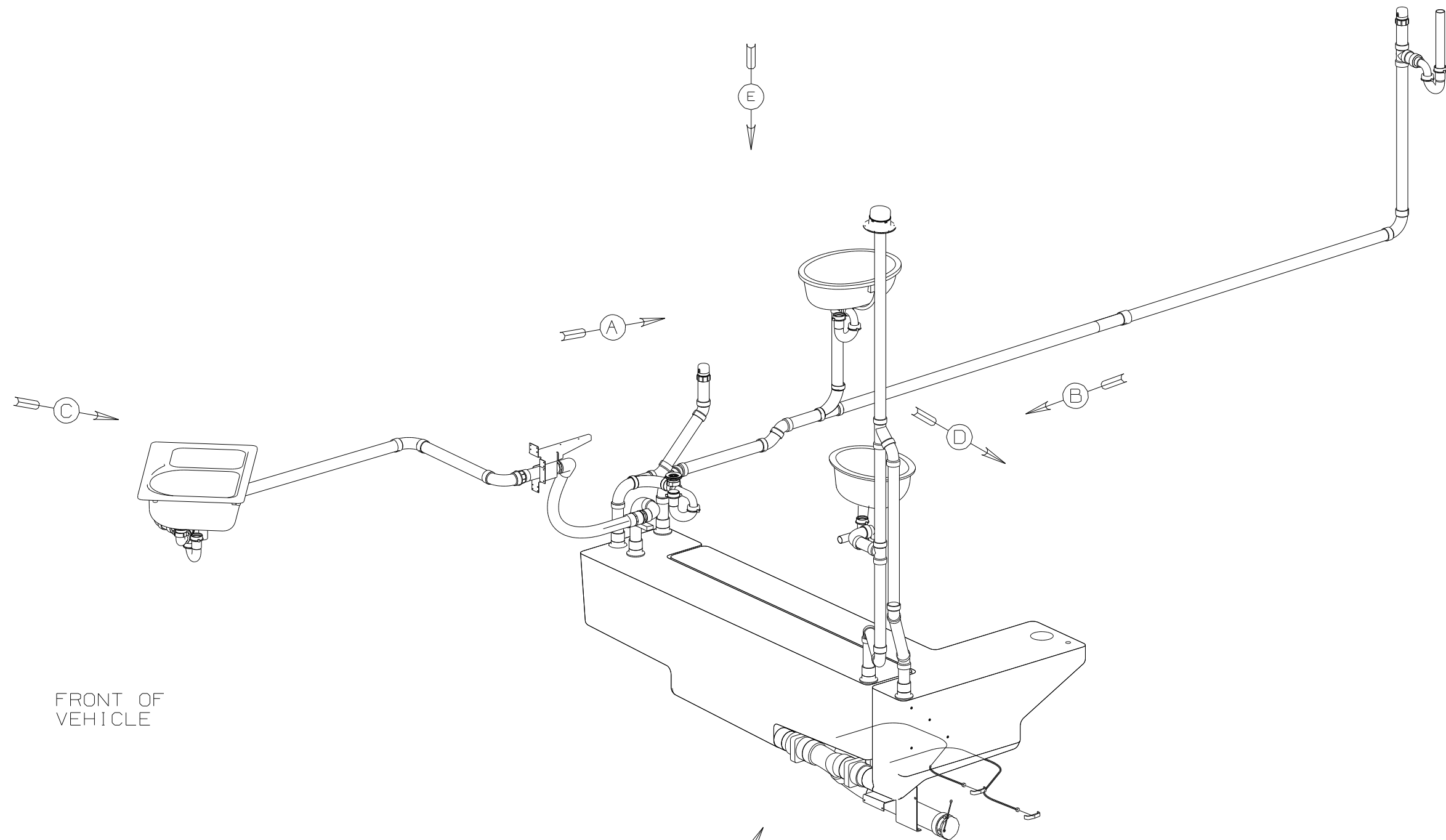


8 7 6 5 4 3 2

RELEASE	REV DATE	DWG NO
A		142001
REV ZONE	REVISION RECORD	DATE DFR-016



FRONT OF VEHICLE

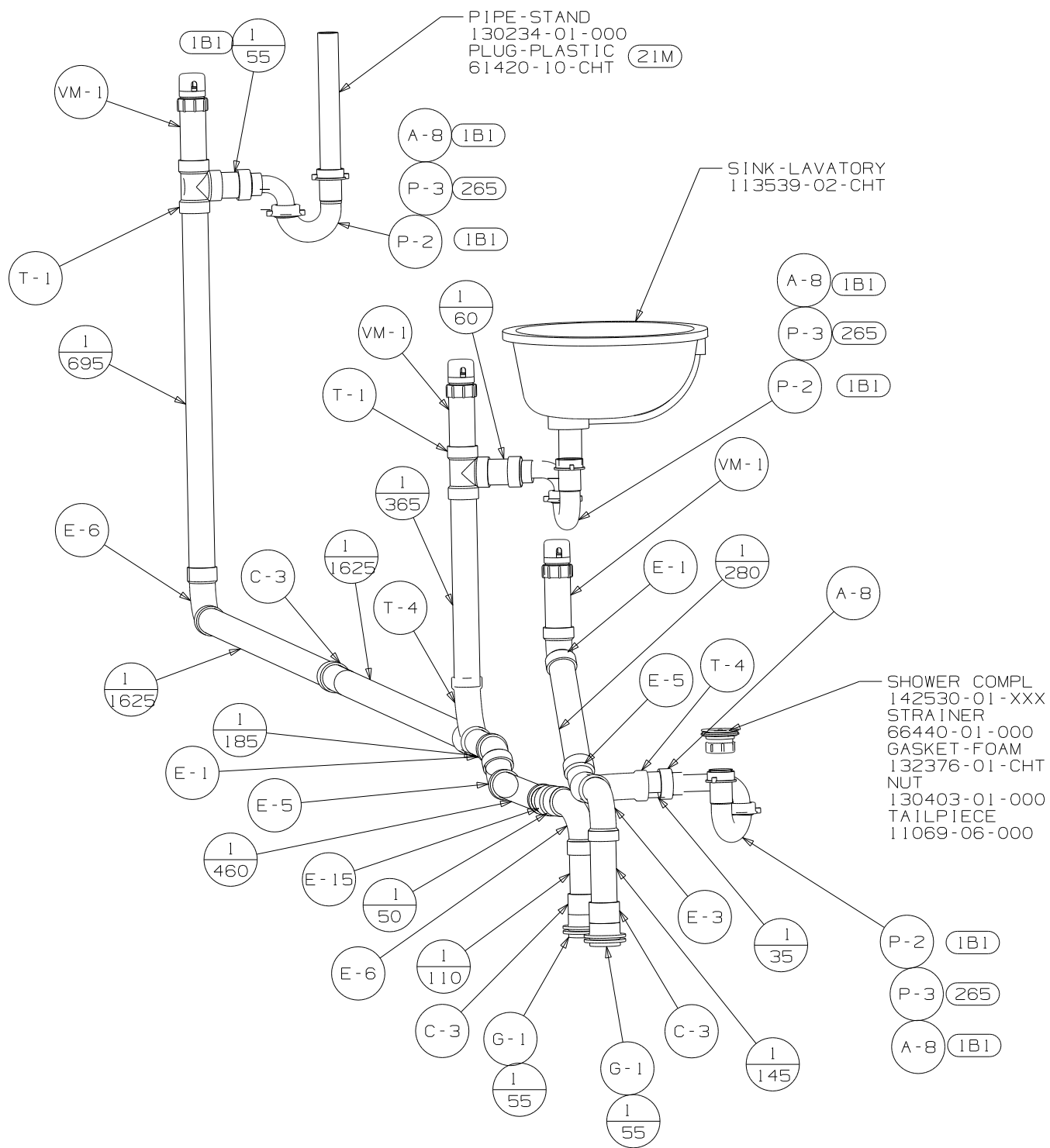
- NOTES:
- 1. SLOPE OF HORIZONTAL PIPING TO BE 6 PER 305 MM.
 - 2. SLOPE OF TRAP ARM MUST BE 6 PER 305 MM.
 - 3. ALL PIPE AND FITTINGS TO BE ASSEMBLED WITH SOLVENT 4020-01-000.
 - 4. ALL EXTERIOR OPENINGS AROUND PIPE TO BE SEALED WITH 110744-01-000.
 - 5. SEAL AROUND SHOWER WITH SILICONE.
 - 6. VENT PIPE MUST PROJECT 51 MIN AND 63.5 MAX ABOVE ROOF FOR PROPER FIT AND FUNCTION.

- (1B1) CODES/STANDARDS USA
- (265) CODES/STDS-CSA, CMVSS
- (21M) WASHER/DRYER PREP
- (54E) WASHER/DRYER
- (21N) DISHWASHER/BUILT-IN
- (215) DISHWASHER WITHOUT
- (43F) SHOWER SURROUND

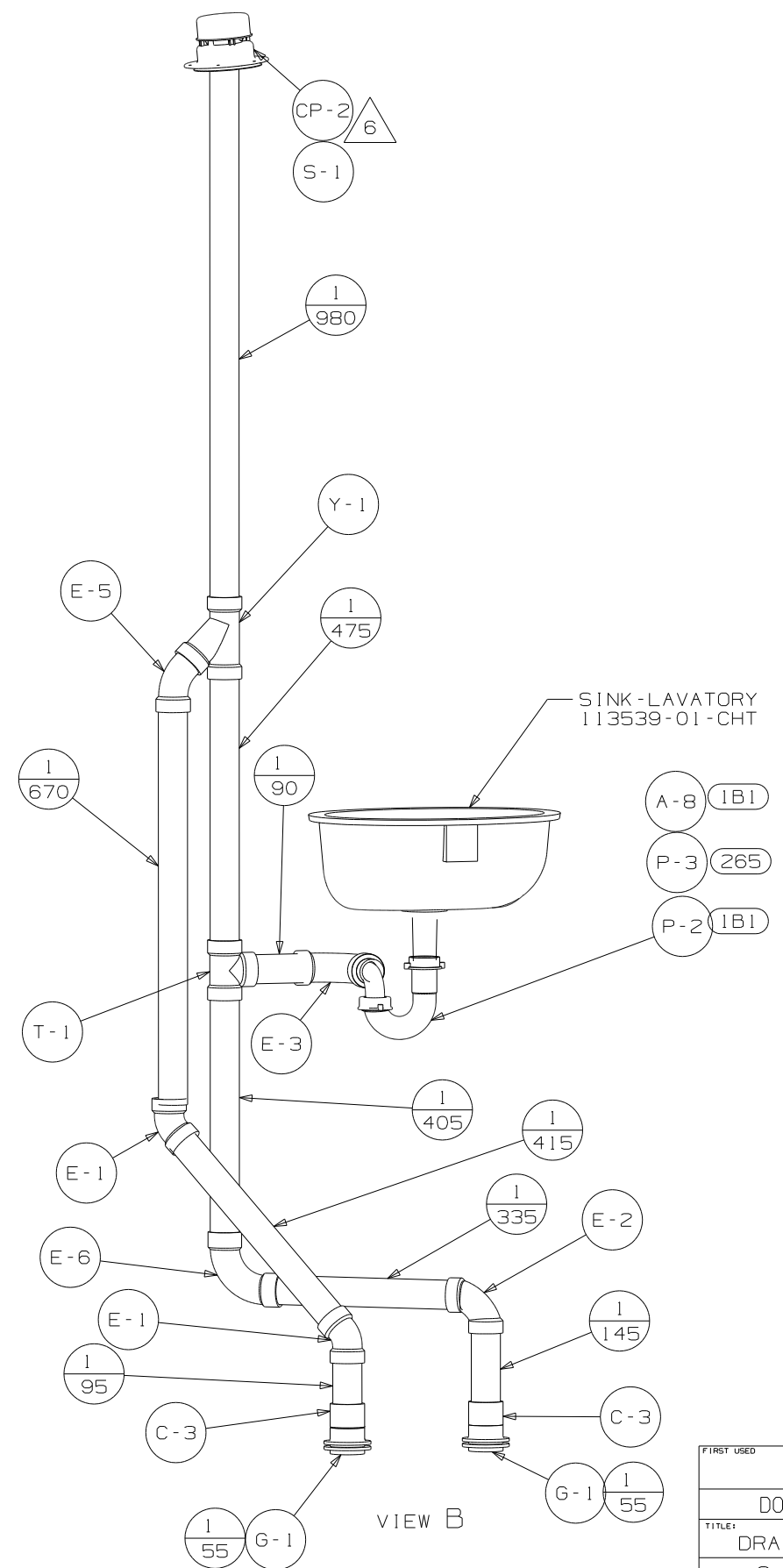
WINNEBAGO		COPYRIGHT 2002 WINNEBAGO INDUSTRIES, INC.	
DFTR	ORIG. DATE	ALL DIMENSIONS ARE IN MILLIMETERS	
CHKR		FIRST USED	
P.E.		03 Q40KD	
M.E.		UNSPECIFIED TOLERANCES ARE:	
DSNR		MATERIAL:	
		WHOLE DIM (X) :	7
		ONE-PLACE (X.X) :	
		TWO-PLACE (X.XX) :	
		ANGLE :	
THIRD ANGLE PROJECTION		DO NOT SCALE DRAWING	
TITLE: DRAINAGE SYSTEM INSTL			
SHEET 1 OF 4		PART NO 142001	

(X-X)
FOR
DRAINAGE
CALLOUTS
SEE DWG NO
116229-01-000

8 7 6 5 4 3 2



VIEW A



VIEW B

FIRST USED	03 Q40KD
DO NOT SCALE DRAWING	
TITLE	DRAINAGE SYSTEM INSTL
SHEET 2	PART NO 142001

ELBOW
136111-01-000
ADAPTER-SWIVEL
130685-03-000

BRACKET-COVER
142526-01-CHT
BRACKET-CARRIER
142527-01-CHT

SINK-GALLEY, DBL LG/SM
134851-01-CHT
RETAINER
137107-01-CHT (4)
137107-02-CHT (2)
STRAINER W/ BASKET
92303-01-000 (2)
SEAL
91255-02-000 (A/R)
WASHER
127440-01-CHT (92)
SCREW
G67-06-10U (22)

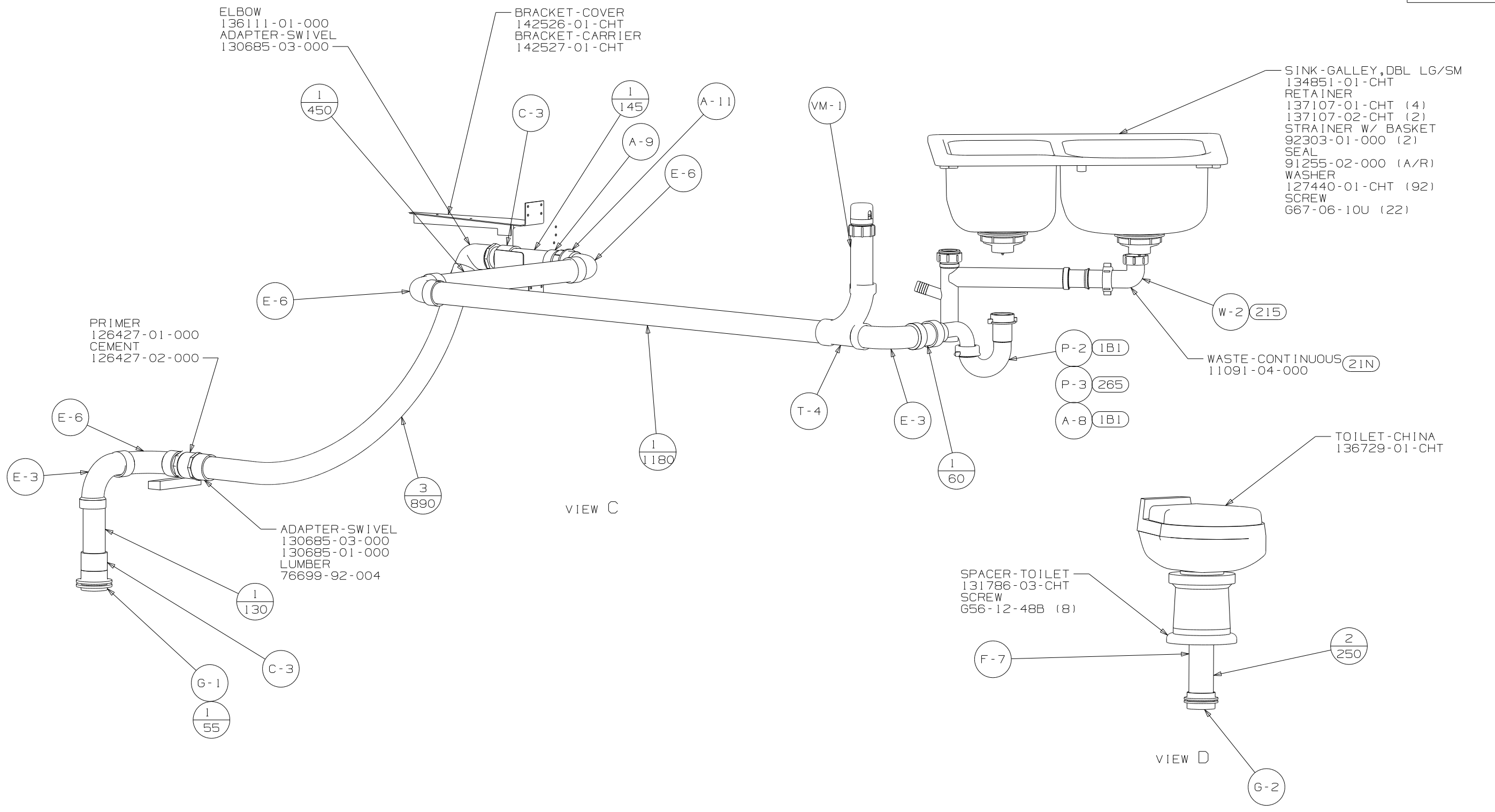
PRIMER
126427-01-000
CEMENT
126427-02-000

ADAPTER-SWIVEL
130685-03-000
130685-01-000
LUMBER
76699-92-004

SPACER-TOILET
131786-03-CHT
SCREW
G56-12-48B (8)

TOILET-CHINA
136729-01-CHT

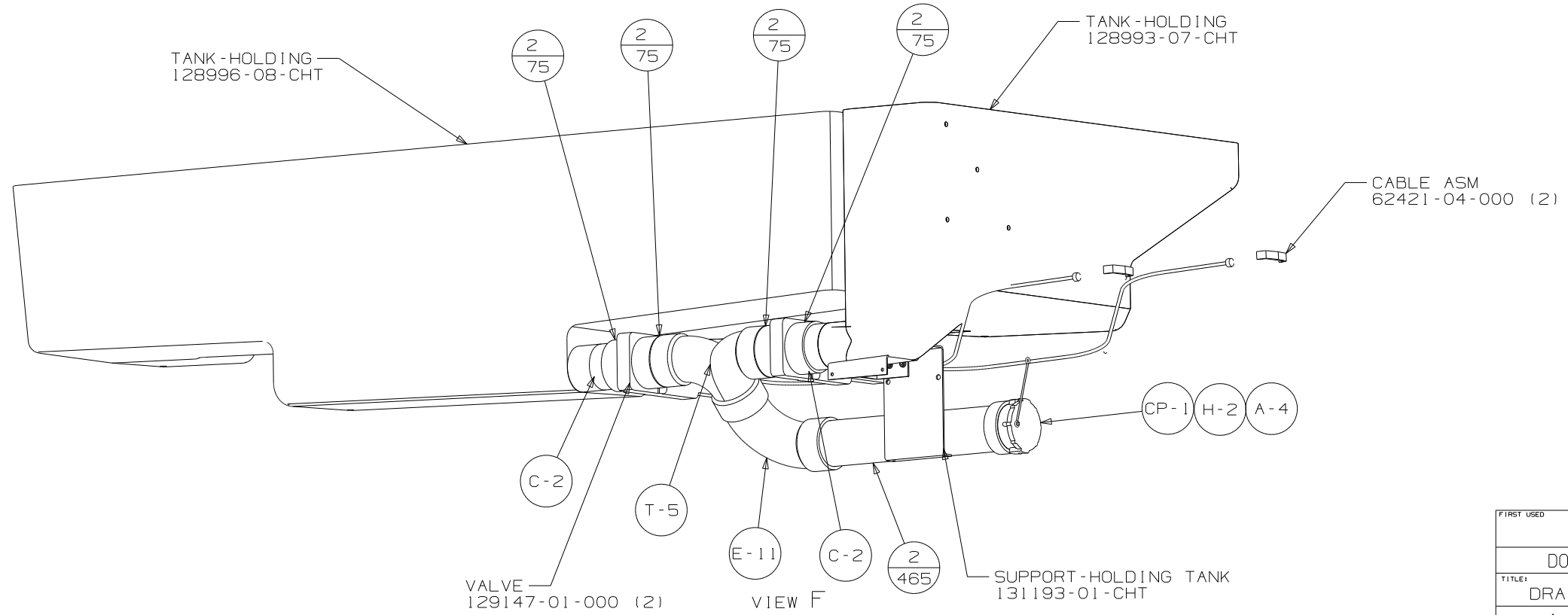
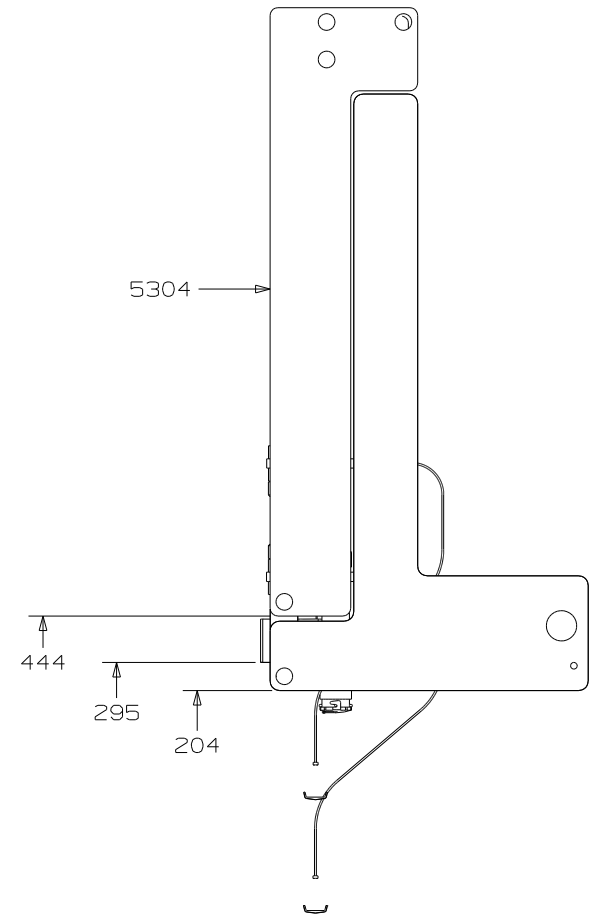
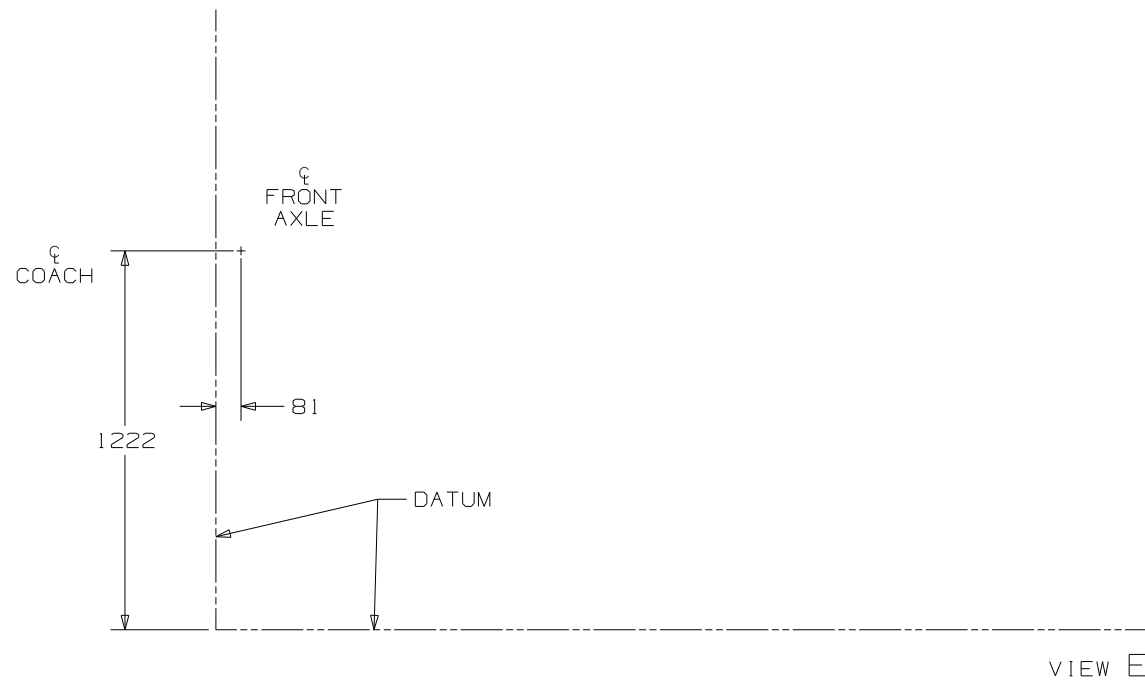
WASTE-CONTINUOUS
11091-04-000



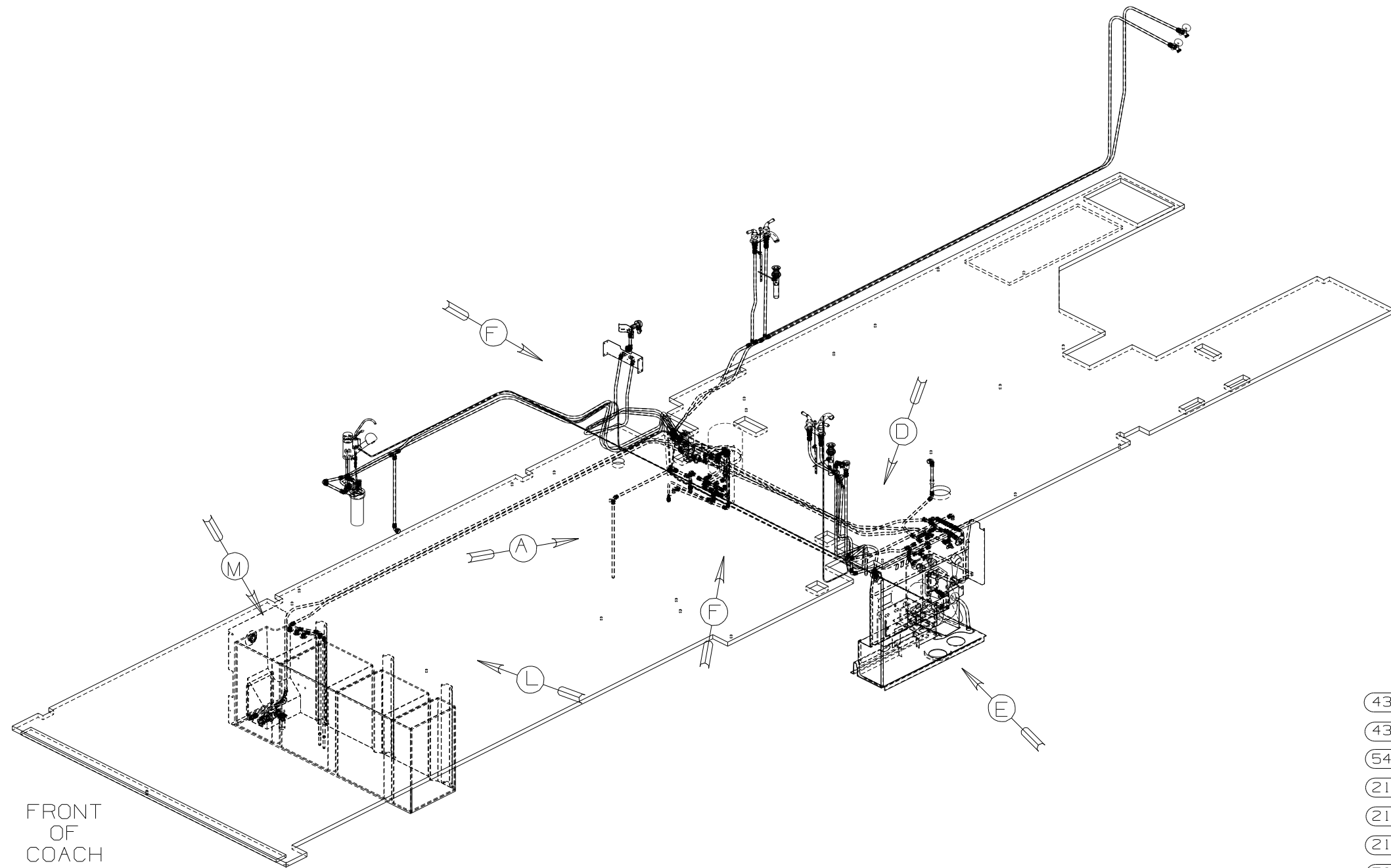
VIEW C

VIEW D

FIRST USED	03 Q40KD
TITLE	DO NOT SCALE DRAWING DRAINAGE SYSTEM INSTL
SHEET 3	PART NO 142001



FIRST USED	03 Q40KD
DO NOT SCALE DRAWING	
TITLE	DRAINAGE SYSTEM INSTL
SHEET 4	PART NO 142001



- (43H) SHOWER HEAD-HAND HELD
- (43F) SHOWER SURROUND
- (54E) WASHER/DRYER
- (21M) WASHER/DRYER PREP
- (21N) DISHWASHER/BUILT-IN
- (215) DISHWASHER WITHOUT
- (505) WATER SUPPLY HOSE W/REEL

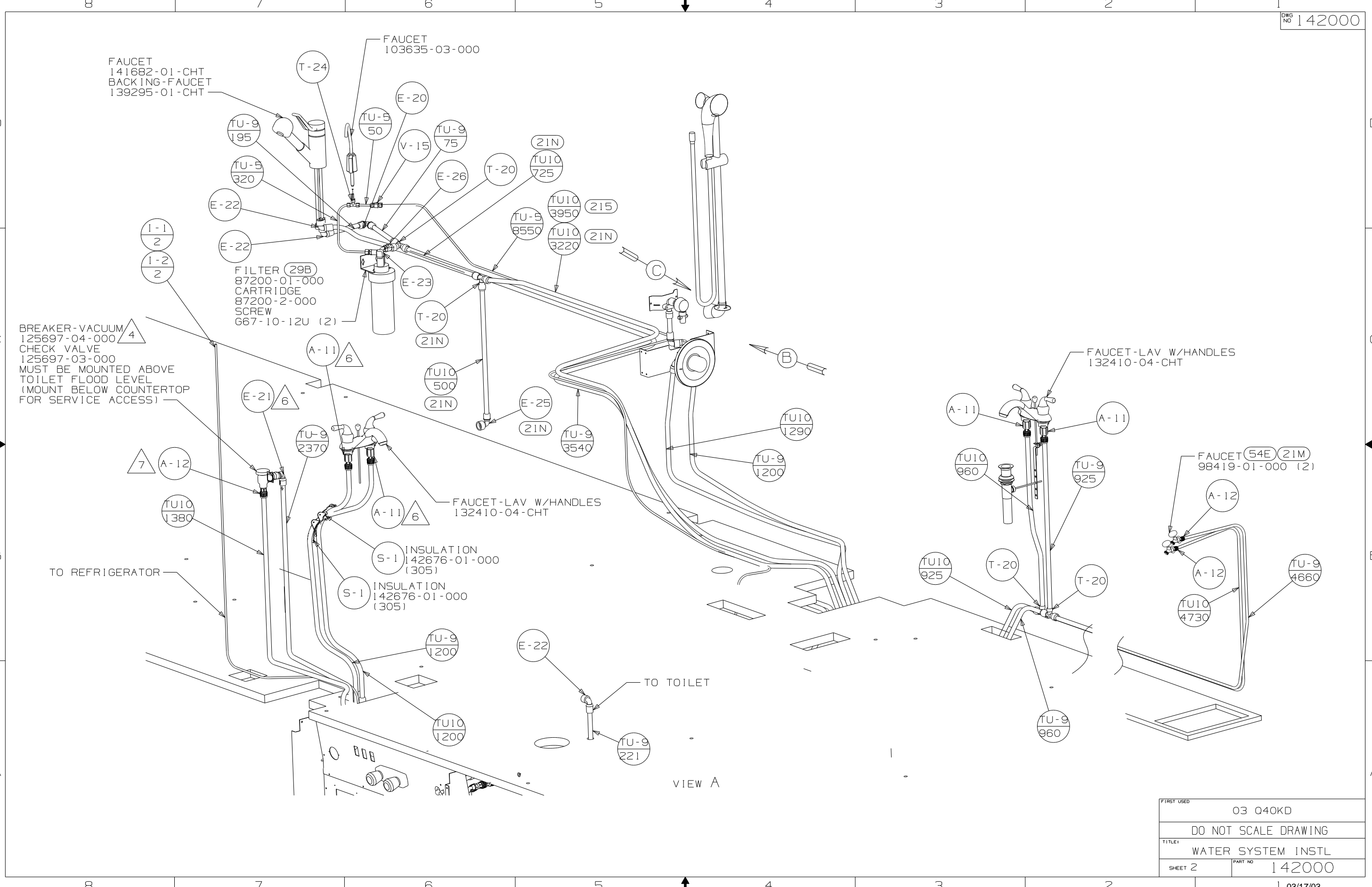
- 7 ADD TEFLON TAPE 10405-03-000.
- 6 ADD TEFLON TAPE 10405-01-000.
- 5 ADD TEFLON TAPE 10405-02-000..
- 4 FLUSHING SYSTEM REQUIRES 125697-06-000 INSTRUCTION SHEET.

- 3. ALL TUBING TO BE SECURED AT 1200 INTERVALS MAXIMUM WITH CLAMP 10495-01-000 OR CLIP 91951-01-000 AND SCREW G67-10-12B.
- 2. TUBING TO BE INSTALLED WITH SUFFICIENT SLOPE TO PROVIDE DRAINAGE TO NEAREST VALVE.
- 1. PLASTIC FITTINGS TO BE SEALED WITH SEALANT 84456-01-000.

NOTES:

WINNEBAGO		COPYRIGHT 2003 WINNEBAGO INDUSTRIES, INC.	
DFTR	ORIG. DATE	ALL DIMENSIONS ARE IN MILLIMETERS	
CHKR		FIRST USED	
P.E.		03 Q40KD	
M.E.		UNSPECIFIED TOLERANCES ARE:	
DSNR		MATERIAL:	
		WHOLE DIM (X)	: 7
		ONE-PLACE (X.X)	:
		TWO-PLACE (X.XX)	:
		ANGLE	:
THIRD ANGLE PROJECTION		DO NOT SCALE DRAWING	
TITLE: WATER SYSTEM INSTL			
SHEET 1 OF 5		PART NO 142000	

(X-X)
FOR
WATER
CALLOUTS
SEE DWG NO
116230-01-000



BREAKER-VACUUM
125697-04-000 4
CHECK VALVE
125697-03-000
MUST BE MOUNTED ABOVE
TOILET FLOOD LEVEL
(MOUNT BELOW COUNTERTOP
FOR SERVICE ACCESS)

FAUCET
141682-01-CHT
BACKING-FAUCET
139295-01-CHT

FAUCET
103635-03-000

FILTER (29B)
87200-01-000
CARTRIDGE
87200-2-000
SCREW
667-10-12U (2)

FAUCET-LAV W/HANDLES
132410-04-CHT

FAUCET-LAV W/HANDLES
132410-04-CHT

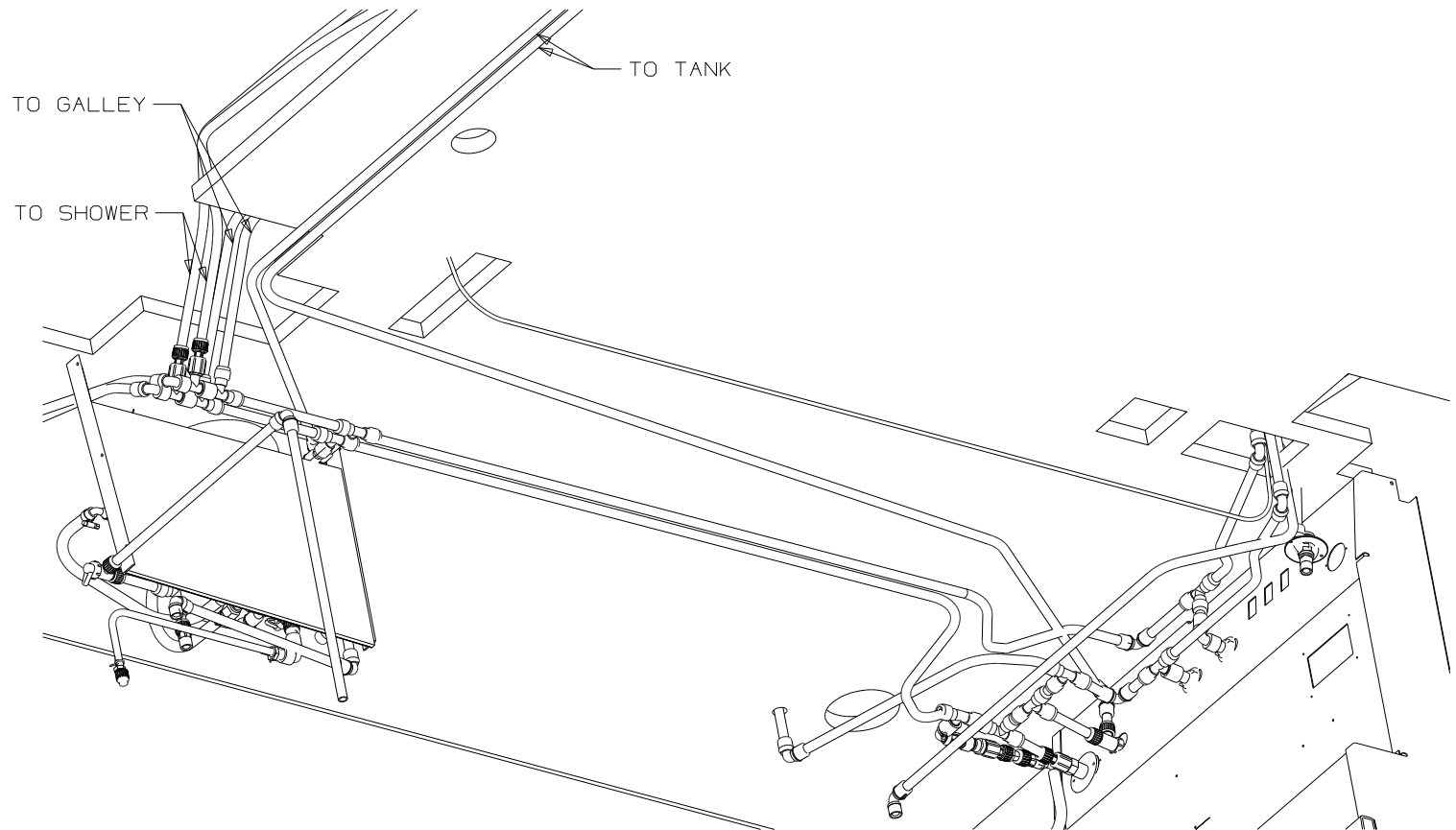
INSULATION
S-1 142676-01-000
(305)

INSULATION
S-1 142676-01-000
(305)

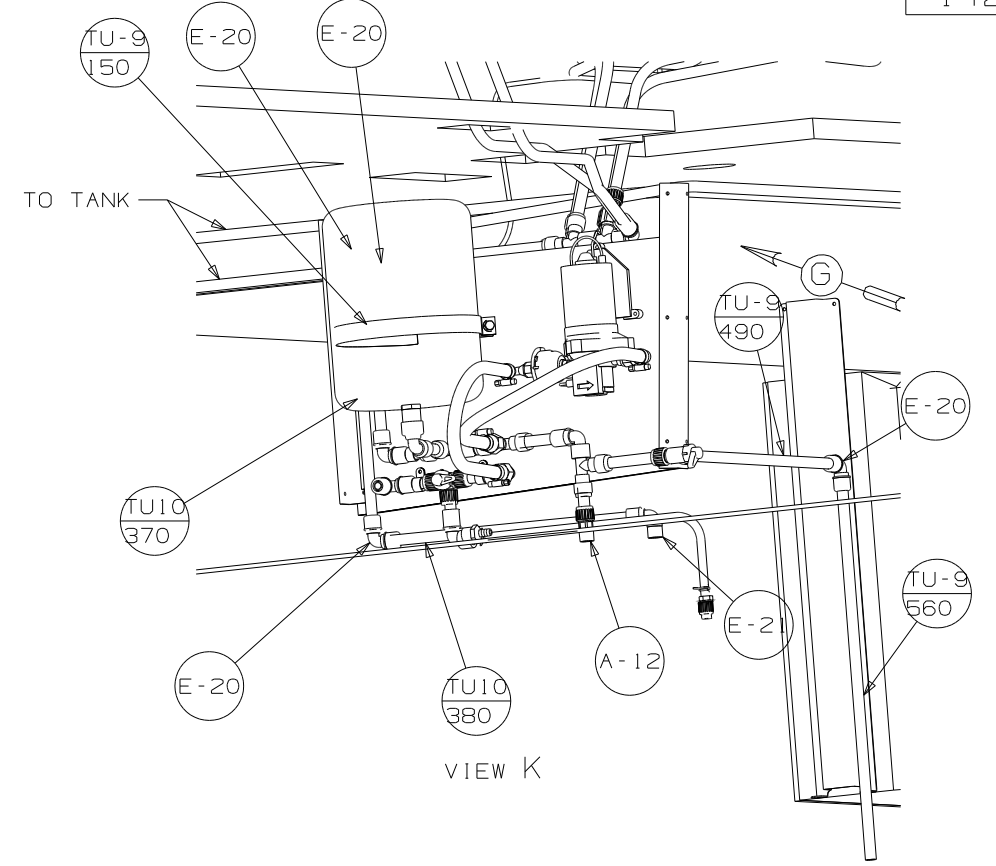
FAUCET (54E) (21M)
98419-01-000 (2)

VIEW A

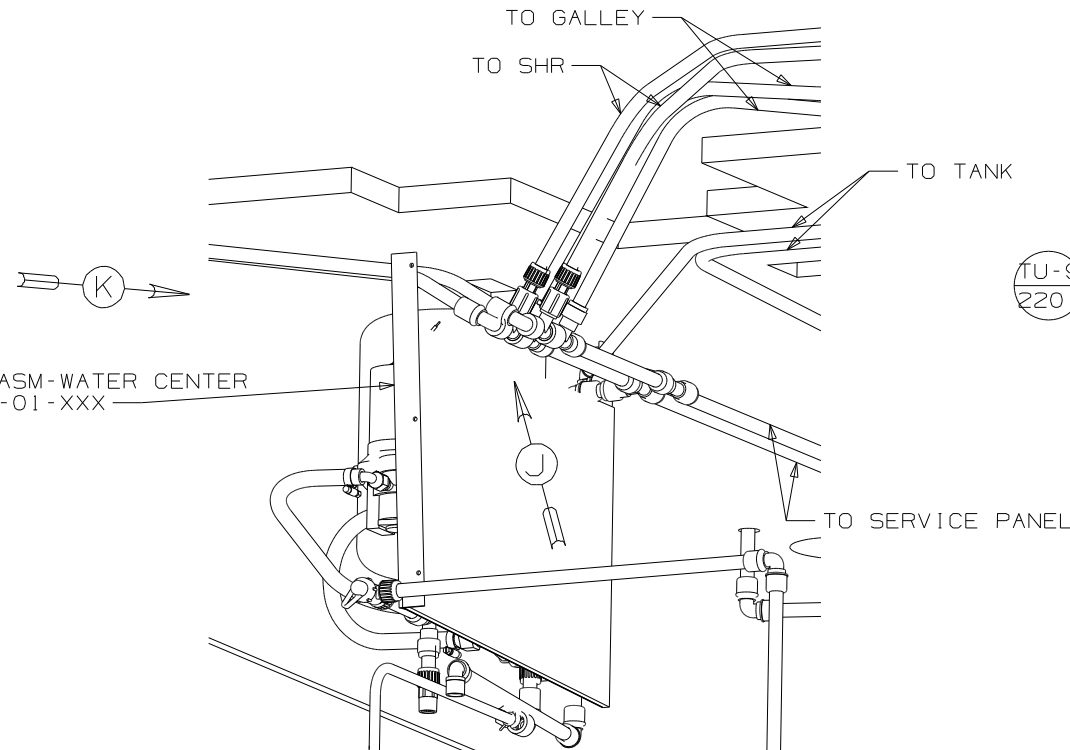
FIRST USED	03 Q40KD
TITLE	DO NOT SCALE DRAWING
TITLE	WATER SYSTEM INSTL
SHEET 2	PART NO 142000



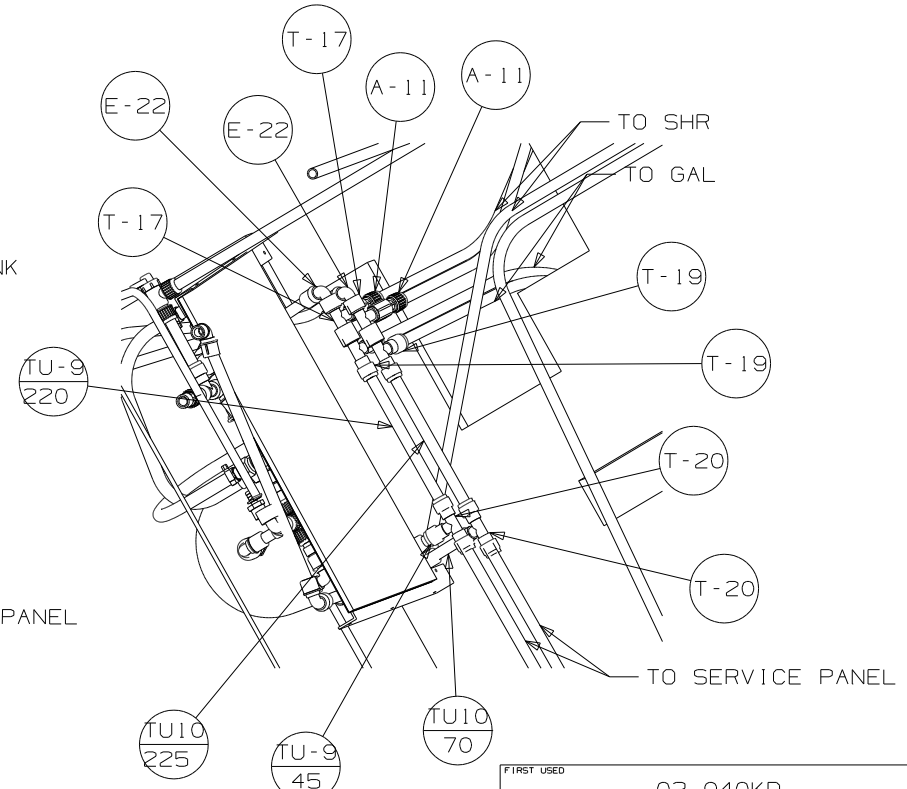
VIEW F



VIEW K

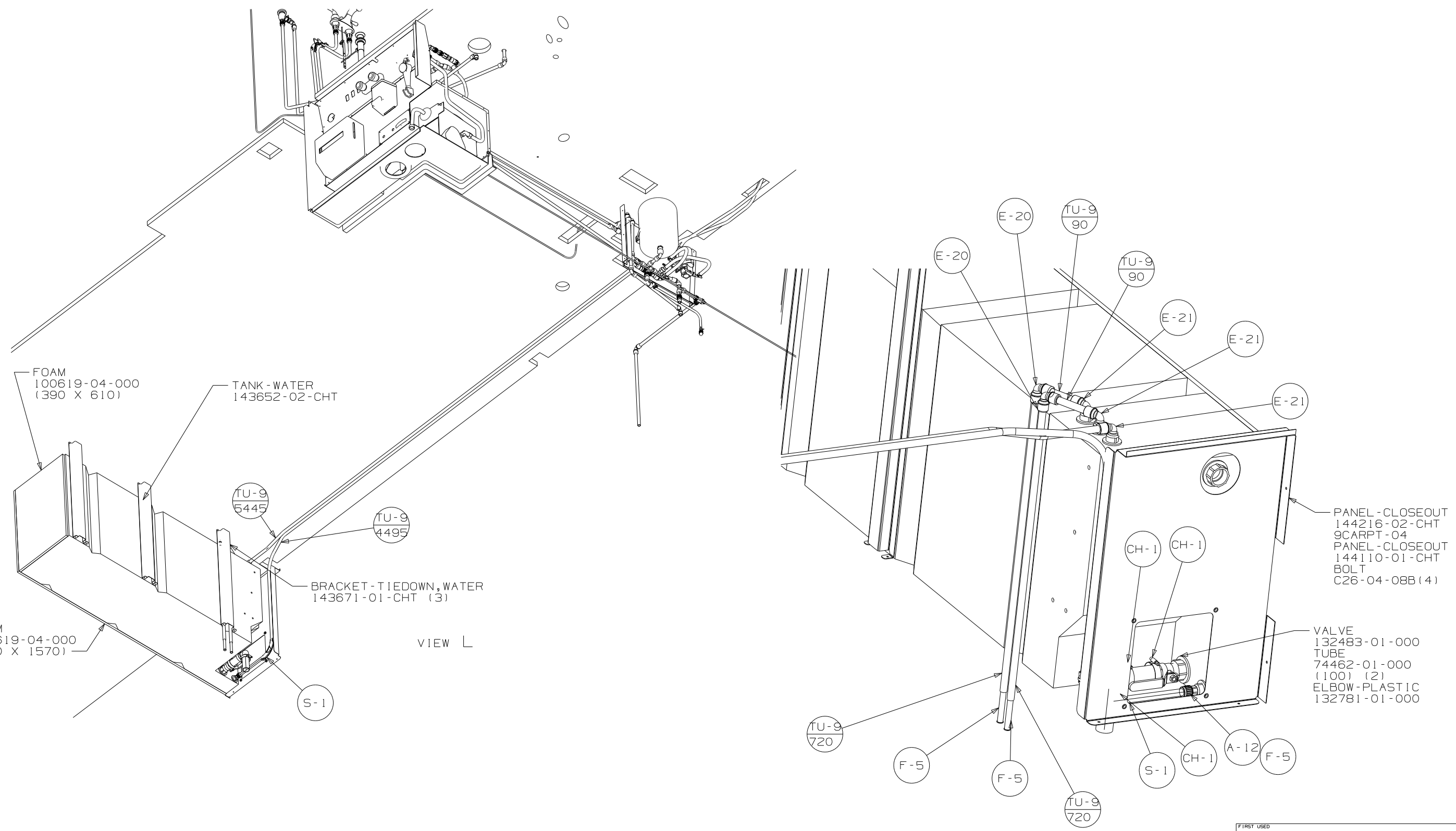


VIEW G



VIEW J

FIRST USED	03 Q40KD
TITLE	DO NOT SCALE DRAWING
SHEET 4	PART NO 142000
1 03/17/03	



VIEW L

VIEW M

FIRST USED	03 Q40KD
DO NOT SCALE DRAWING	
TITLE:	WATER SYSTEM INSTL
SHEET 5	PART NO 142000