

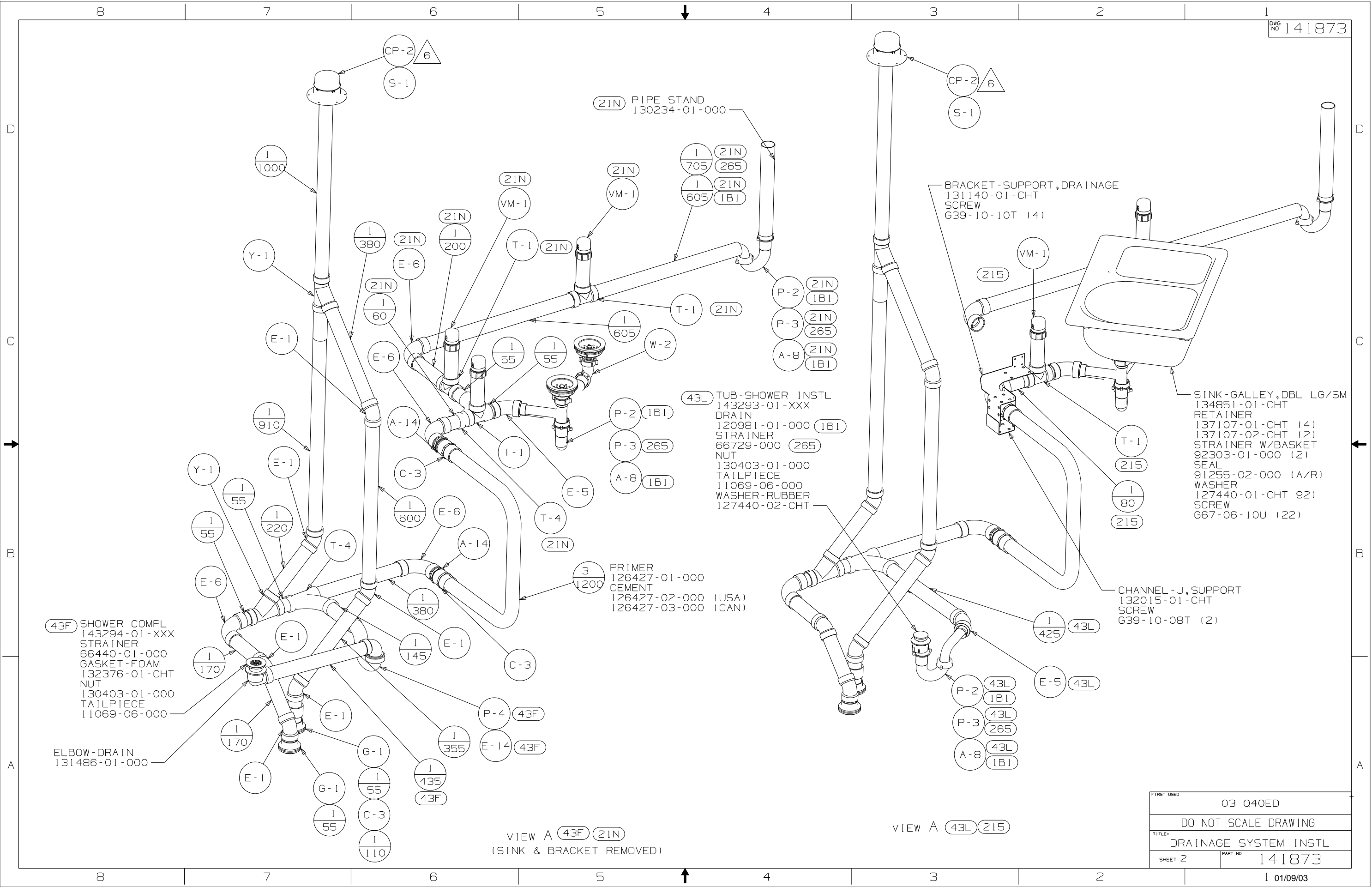
- (43L) SHOWER/TUB W/WALL SURROUND
- (43F) SHOWER SURROUND
- (1B1) CODES/STANDARDS USA
- (265) CODES/STANDARDS-CSA/CMVSS
- (54E) WASHER/DRYER
- (21M) WASHER/DRYER PREP
- (21N) DISHWASHER/BUILT-IN
- (215) DISHWASHER WITHOUT

- 6 VENT PIPE MUST PROJECT 51 MIN AND 63.5 MAX ABOVE ROOF FOR PROPER FIT AND FUNCTION.
5. SEAL AROUND SHOWER WITH SILICONE.
 4. ALL EXTERIOR OPENINGS AROUND PIPE TO BE SEALED WITH 110744-01-000.
 3. ALL PIPE AND FITTINGS TO BE ASSEMBLED WITH SOLVENT 4020-01-000.
 2. SLOPE OF TRAP ARM MUST BE 6 PER 305 MM.
 1. SLOPE OF HORIZONTAL PIPING TO BE 6 PER 305 MM.

NOTES:

(X-X)
FOR DRAINAGE CALLOUTS SEE DWG NO 116229-01-000

WINNEBAGO		COPYRIGHT 2002 WINNEBAGO INDUSTRIES, INC.	
D/FR	ORIG. DATE	ALL DIMENSIONS ARE IN MILLIMETERS	
CHKR		FIRST USED	
P.E.		03 Q40ED	
M.E.		UNSPECIFIED TOLERANCES ARE:	
DSNR		MATERIAL:	
		WHOLE DIM (X)	: 7
		ONE-PLACE (X.X)	:
		TWO-PLACE (X.XX)	:
		ANGLE	:
		THIRD ANGLE PROJECTION	
DO NOT SCALE DRAWING			
TITLE: DRAINAGE SYSTEM INSTL			
SHEET 1 OF 4	PART NO	141873	
REF:	1 01/09/03		



43F SHOWER COMPL
143294-01-XXX
STRAINER
66440-01-000
GASKET-FOAM
132376-01-CHT
NUT
130403-01-000
TAILPIECE
11069-06-000

ELBOW-DRAIN
131486-01-000

21N PIPE STAND
130234-01-000

43L TUB-SHOWER INSTL
143293-01-XXX
DRAIN
120981-01-000 (1B1)
STRAINER
66729-000 (265)
NUT
130403-01-000
TAILPIECE
11069-06-000
WASHER-RUBBER
127440-02-CHT

3 PRIMER
126427-01-000
CEMENT
126427-02-000 (USA)
126427-03-000 (CAN)

BRACKET-SUPPORT, DRAINAGE
131140-01-CHT
SCREW
G39-10-10T (4)

SINK-GALLEY, DBL LG/SM
134851-01-CHT
RETAINER
137107-01-CHT (4)
137107-02-CHT (2)
STRAINER W/BASKET
92303-01-000 (2)
SEAL
91255-02-000 (A/R)
WASHER
127440-01-CHT 92)
SCREW
G67-06-10U (22)

CHANNEL-J, SUPPORT
132015-01-CHT
SCREW
G39-10-08T (2)

VIEW A (43F) (21N)
(SINK & BRACKET REMOVED)

VIEW A (43L) (215)

FIRST USED	03 Q40ED
TITLE	DO NOT SCALE DRAWING
TITLE	DRAINAGE SYSTEM INSTL
SHEET 2	PART NO 141873

8 7 6 5 4 3 2 1

8 7 6 5 4 3 2 1

D

C

B

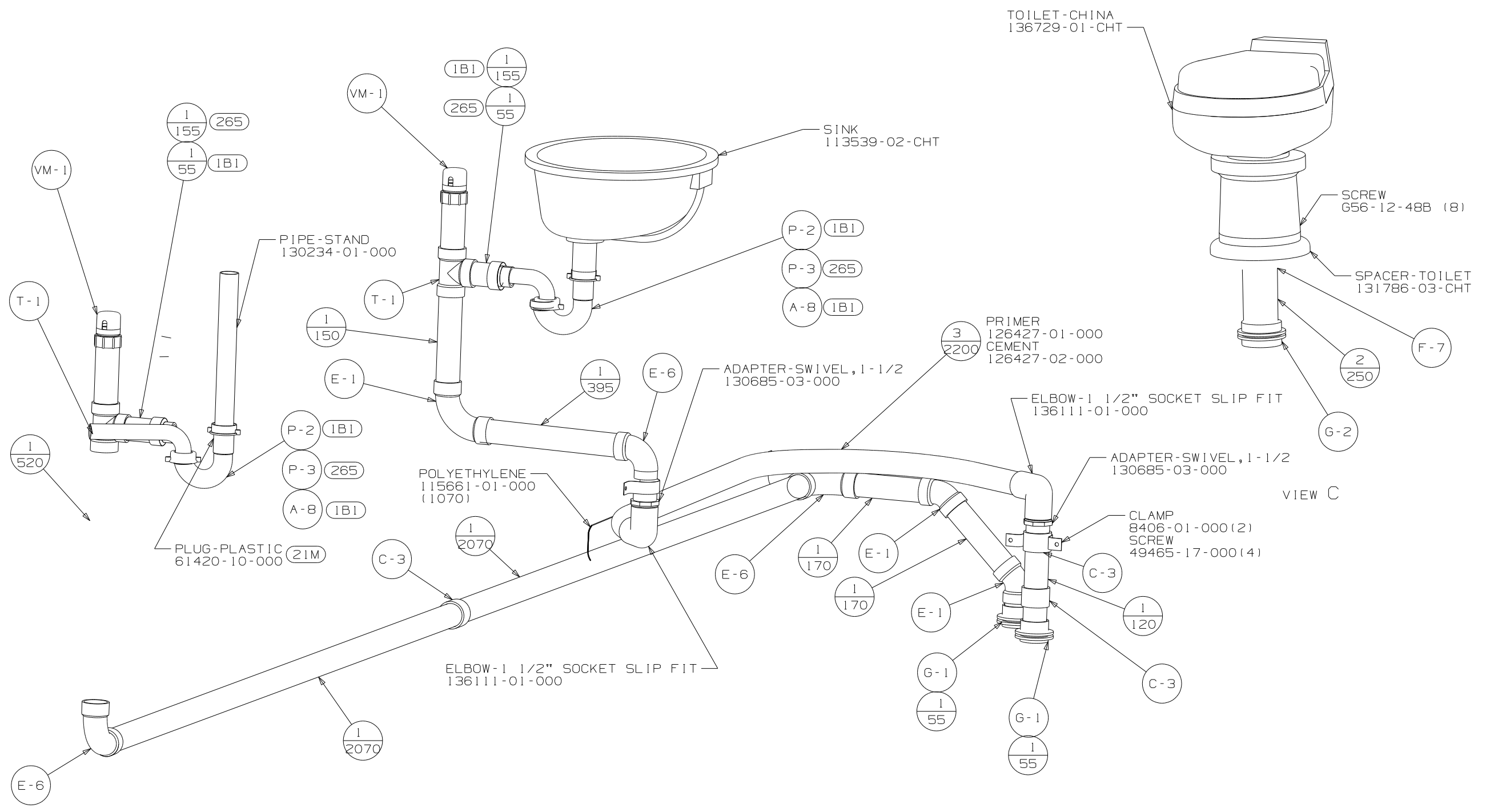
A

D

C

B

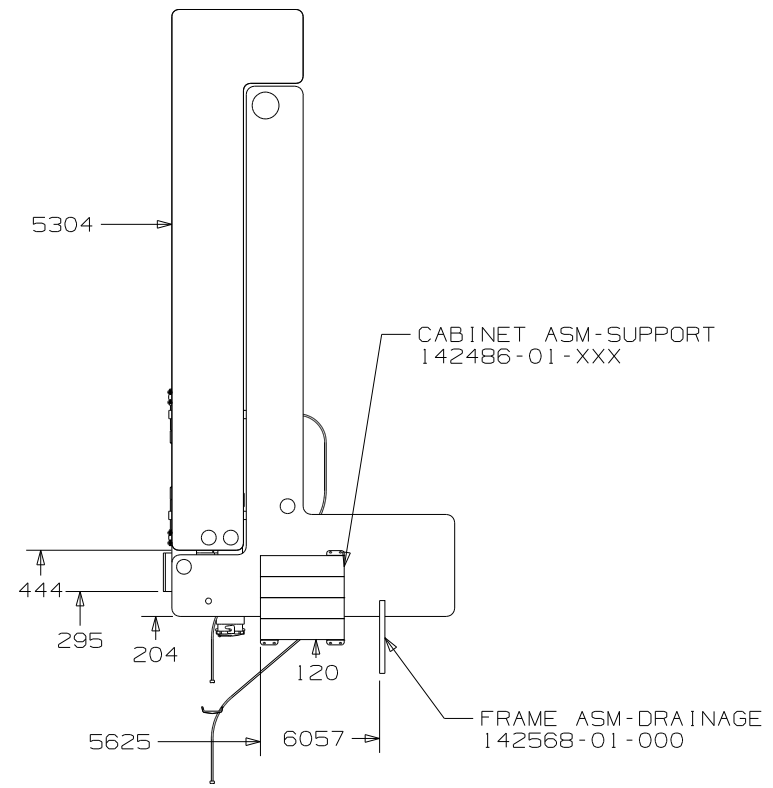
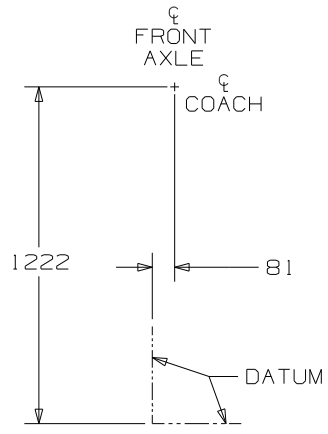
A



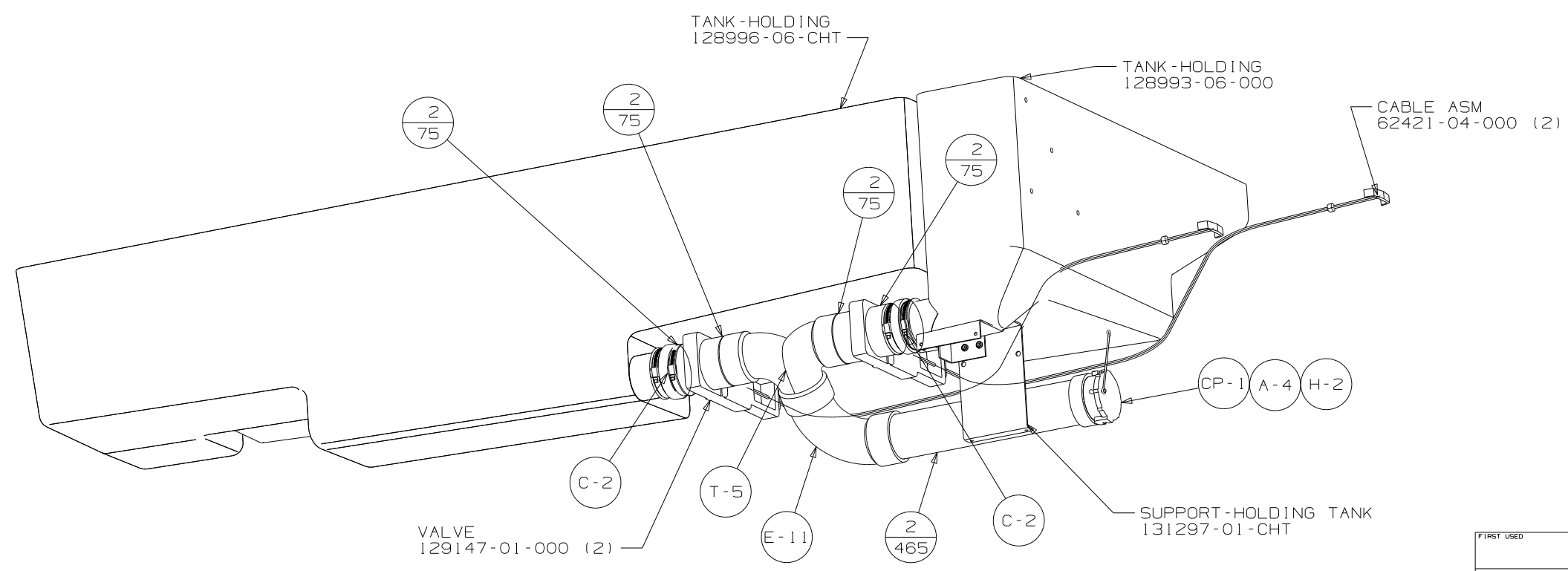
VIEW B
(54E) (21M)

VIEW C

FIRST USED	03 Q40ED
TITLE	DO NOT SCALE DRAWING DRAINAGE SYSTEM INSTL
SHEET 3	PART NO 141873

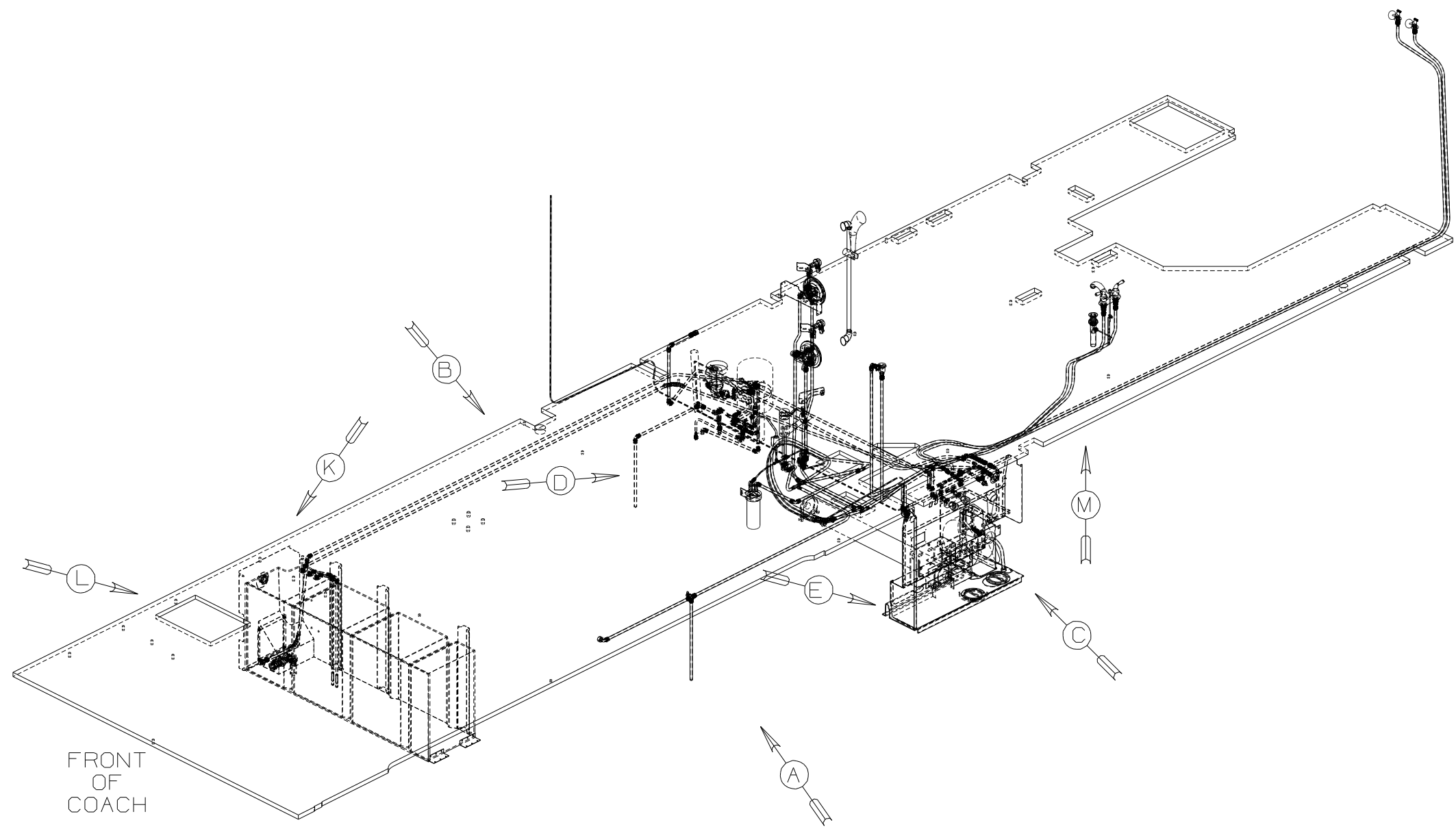


VIEW D



VIEW E

FIRST USED	03 Q40ED
DO NOT SCALE DRAWING	
TITLE	DRAINAGE SYSTEM INSTL
SHEET 4	PART NO 141873



- (43H) SHOWER HEAD - HAND HELD
- (43L) SHOWER/TUB W/WALL SURROUND
- (43F) SHOWER SURROUND
- (54E) WASHER/DRYER
- (21M) WASHER/DRYER PREP
- (21N) DISHWASHER/BUILT-IN
- (215) DISHWASHER WITHOUT
- (505) HOSE REEL - WATER, POWERED

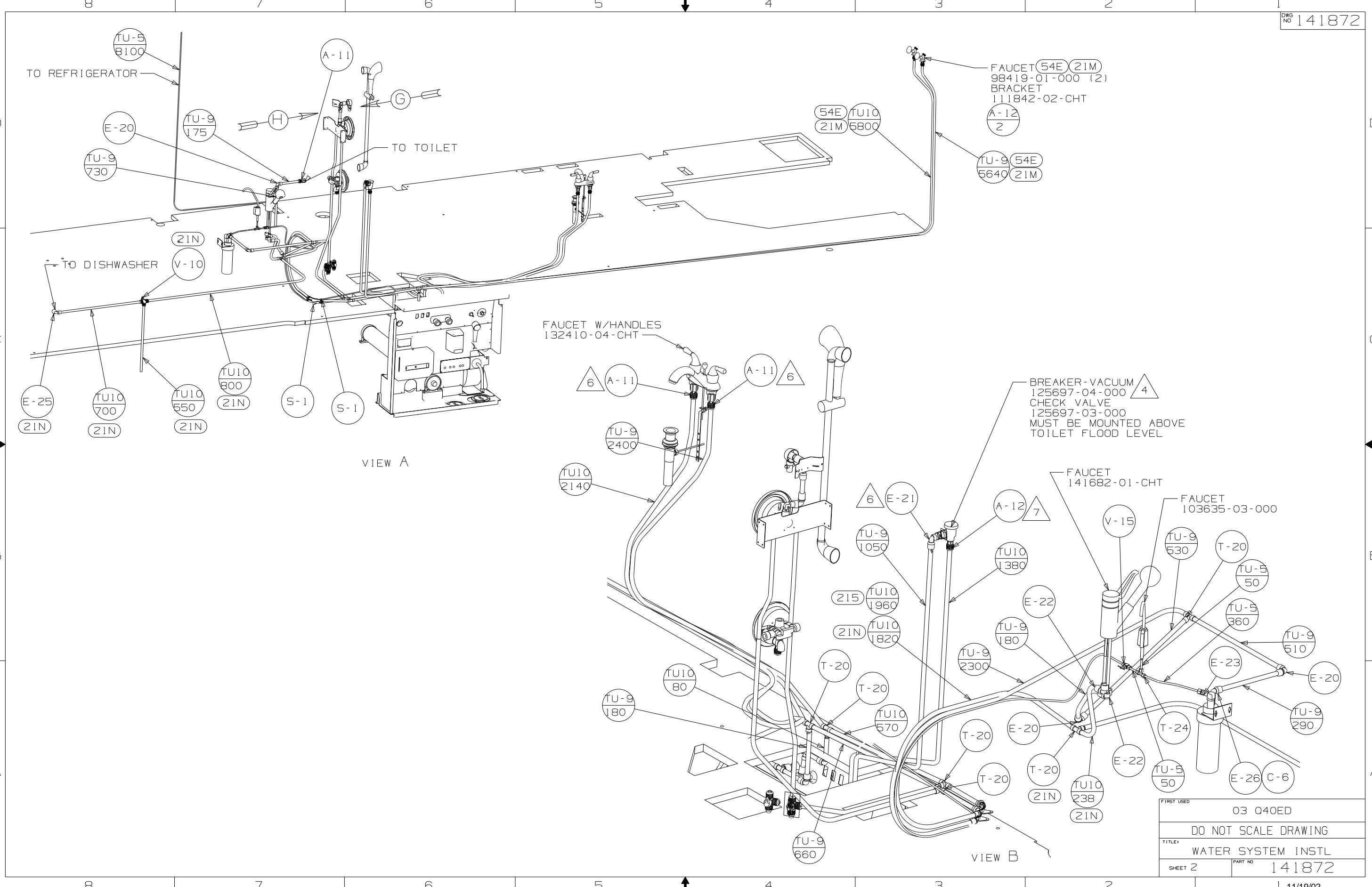
- △7 ADD TEFLON TAPE 10405-03-000.
- △6 ADD TEFLON TAPE 10405-01-000.
- △5 ADD TEFLON TAPE 10405-02-000..
- △4 FLUSHING SYSTEM REQUIRES 125697-06-000 INSTRUCTION SHEET.

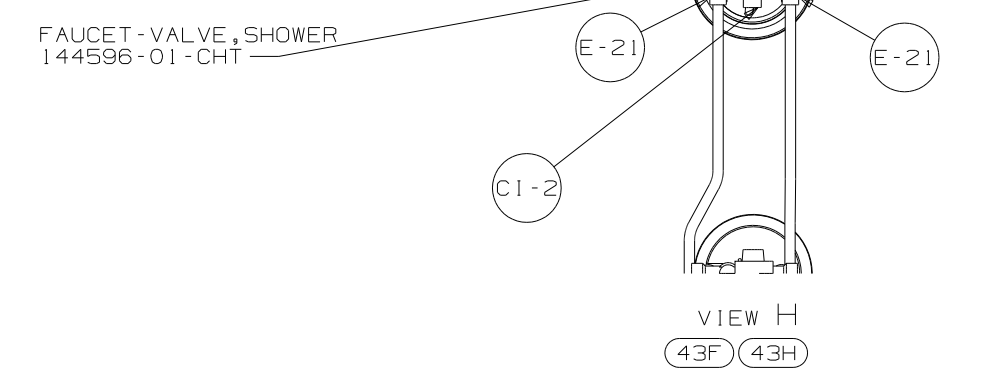
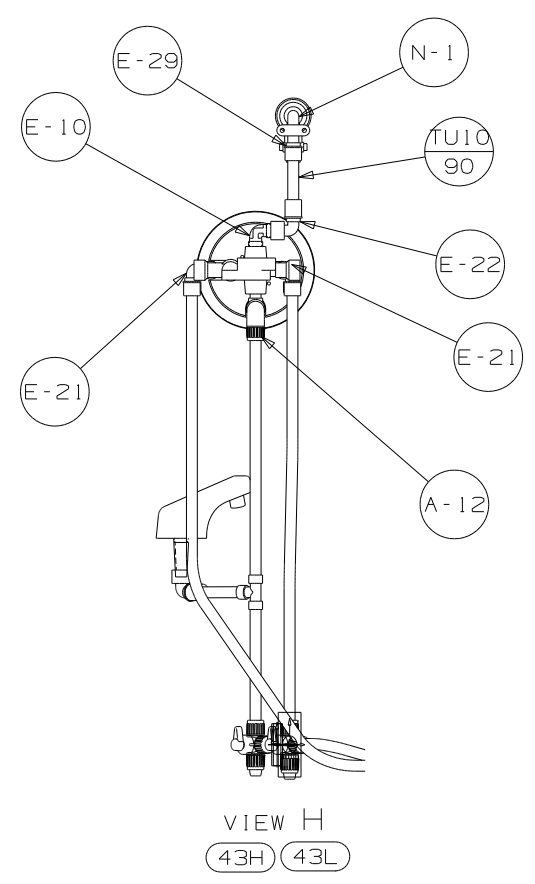
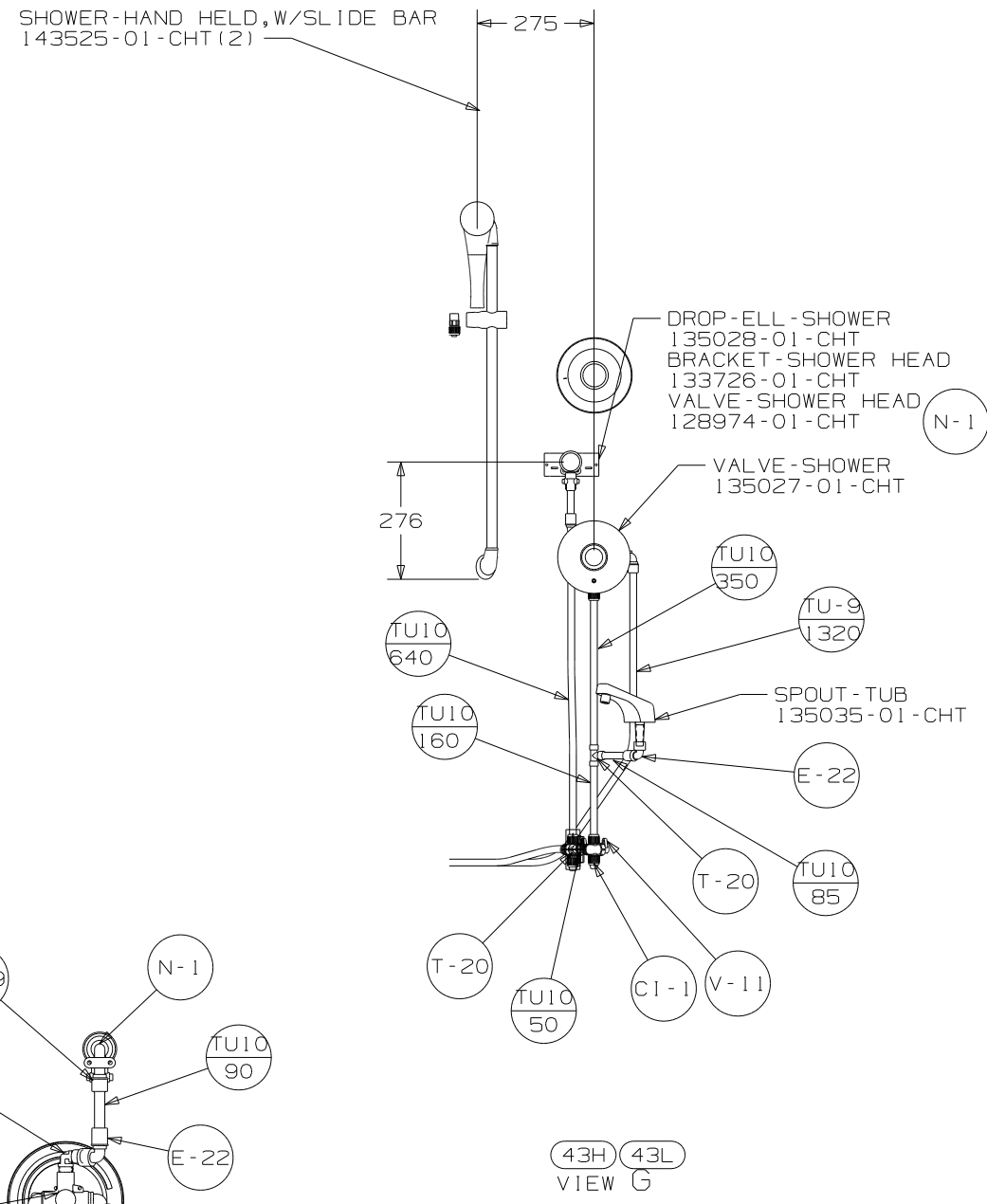
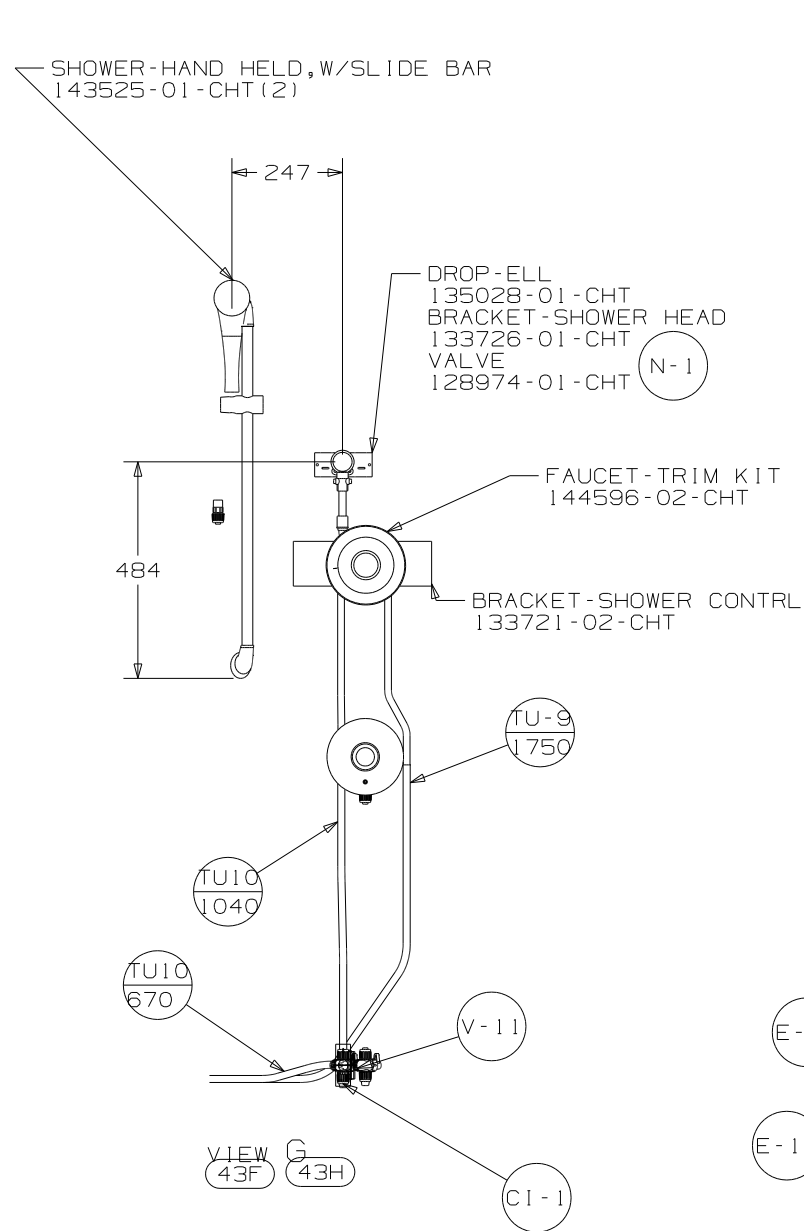
- 3. ALL TUBING TO BE SECURED AT 1200 INTERVALS MAXIMUM WITH CLAMP 10495-01-000 OR CLIP 91951-01-000 AND SCREW G67-10-12B.
- 2. TUBING TO BE INSTALLED WITH SUFFICIENT SLOPE TO PROVIDE DRAINAGE TO NEAREST VALVE.
- 1. PLASTIC FITTINGS TO BE SEALED WITH SEALANT 84456-01-000.

NOTES:

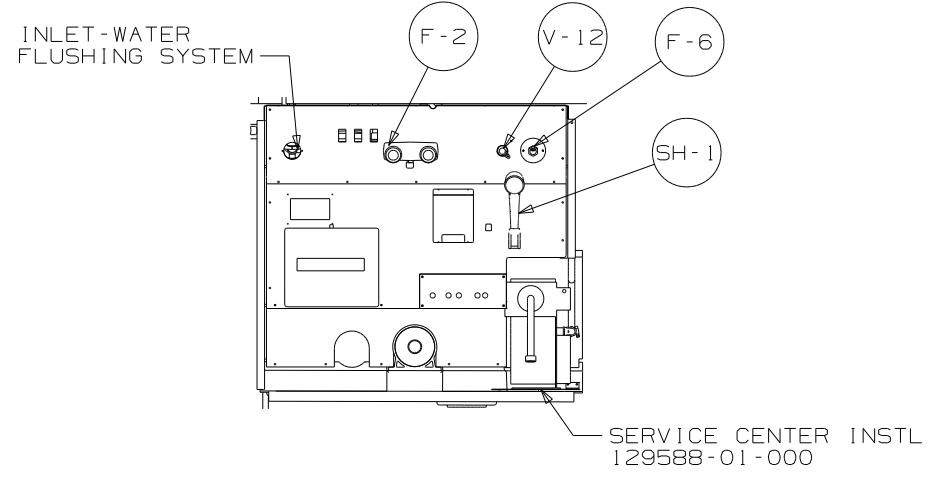
WINNEBAGO		COPYRIGHT 2002 WINNEBAGO INDUSTRIES, INC.	
DFTR	ORIG. DATE	ALL DIMENSIONS ARE IN MILLIMETERS	
CHKR		FIRST USED	
P.E.		03 Q40ED	
M.E.		UNSPECIFIED TOLERANCES ARE:	
DSNR		MATERIAL:	
		WHOLE DIM (X)	: 7
		ONE-PLACE (X.X)	:
		TWO-PLACE (X.XX)	:
		ANGLE	:
THIRD ANGLE PROJECTION		DO NOT SCALE DRAWING	
TITLE: WATER SYSTEM INSTL			
SHEET 1 OF 5		PART NO 141872	
REF: 137721 1 11/19/02			

(X-X)
FOR
WATER
CALLOUTS
SEE DWG NO
116230-01-000

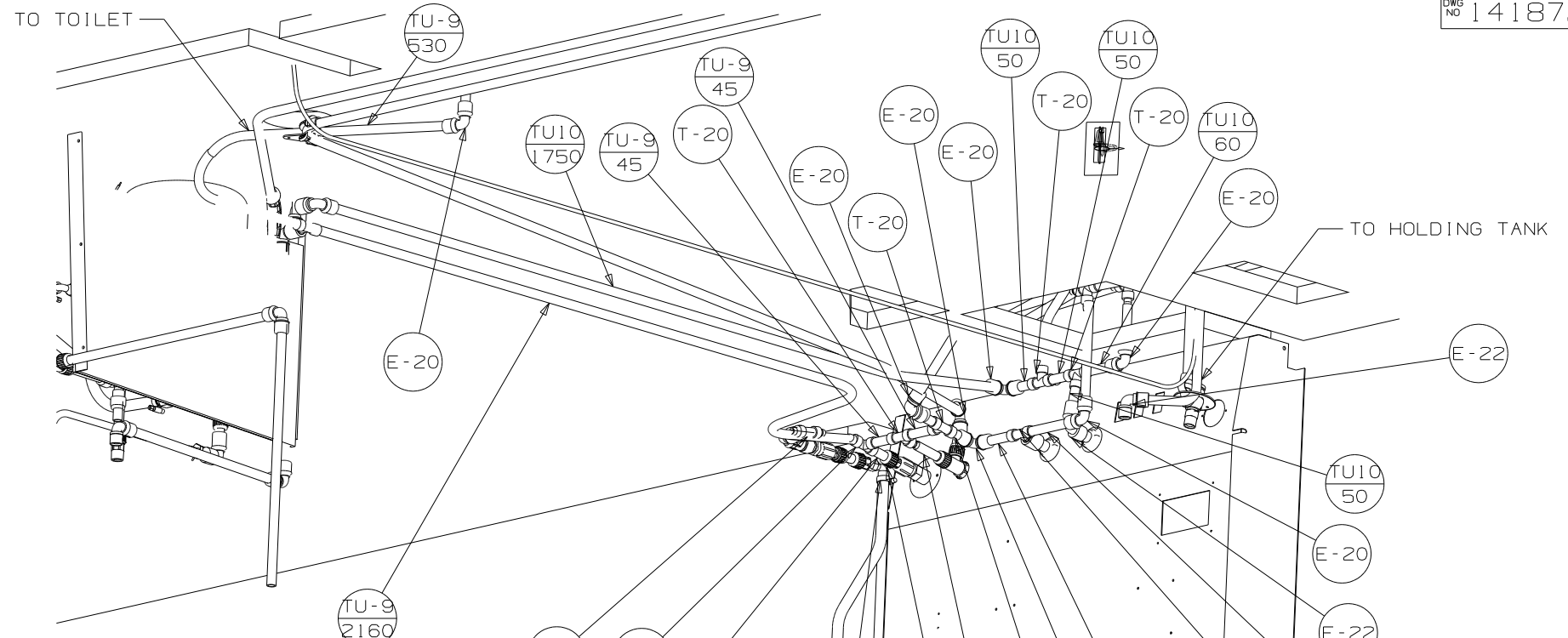




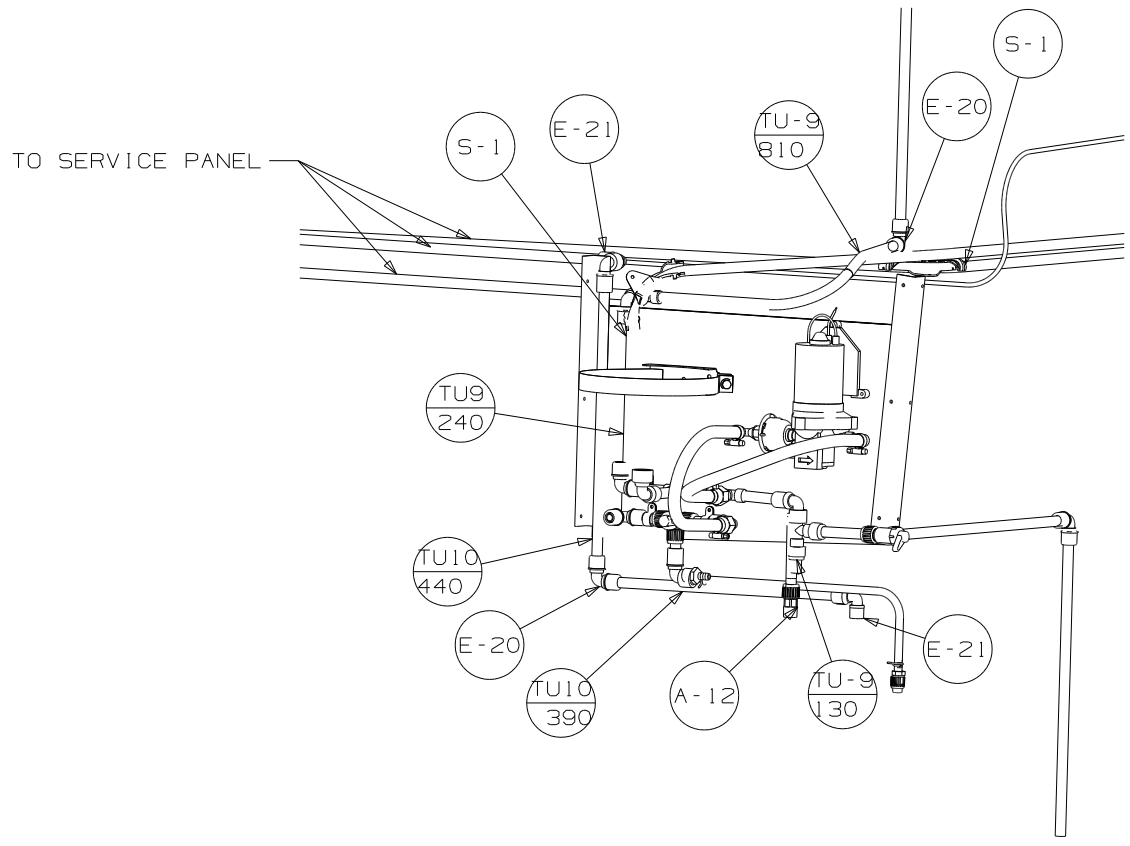
FIRST USED	03 Q40ED
TITLE	DO NOT SCALE DRAWING
TITLE	WATER SYSTEM INSTL
SHEET 3	PART NO 141872



VIEW C

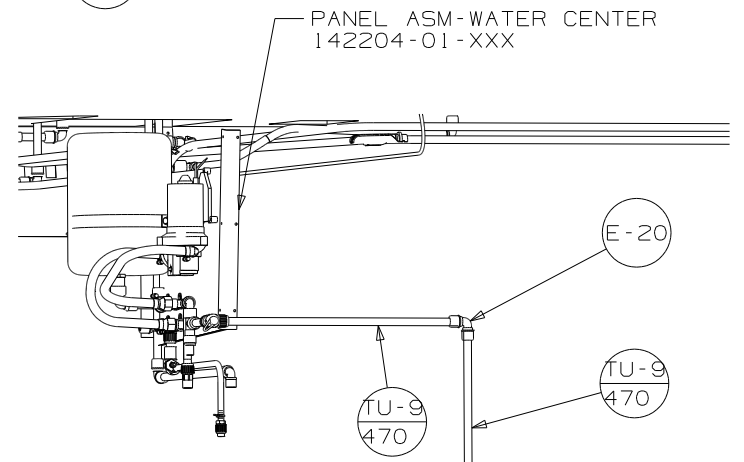


VIEW E



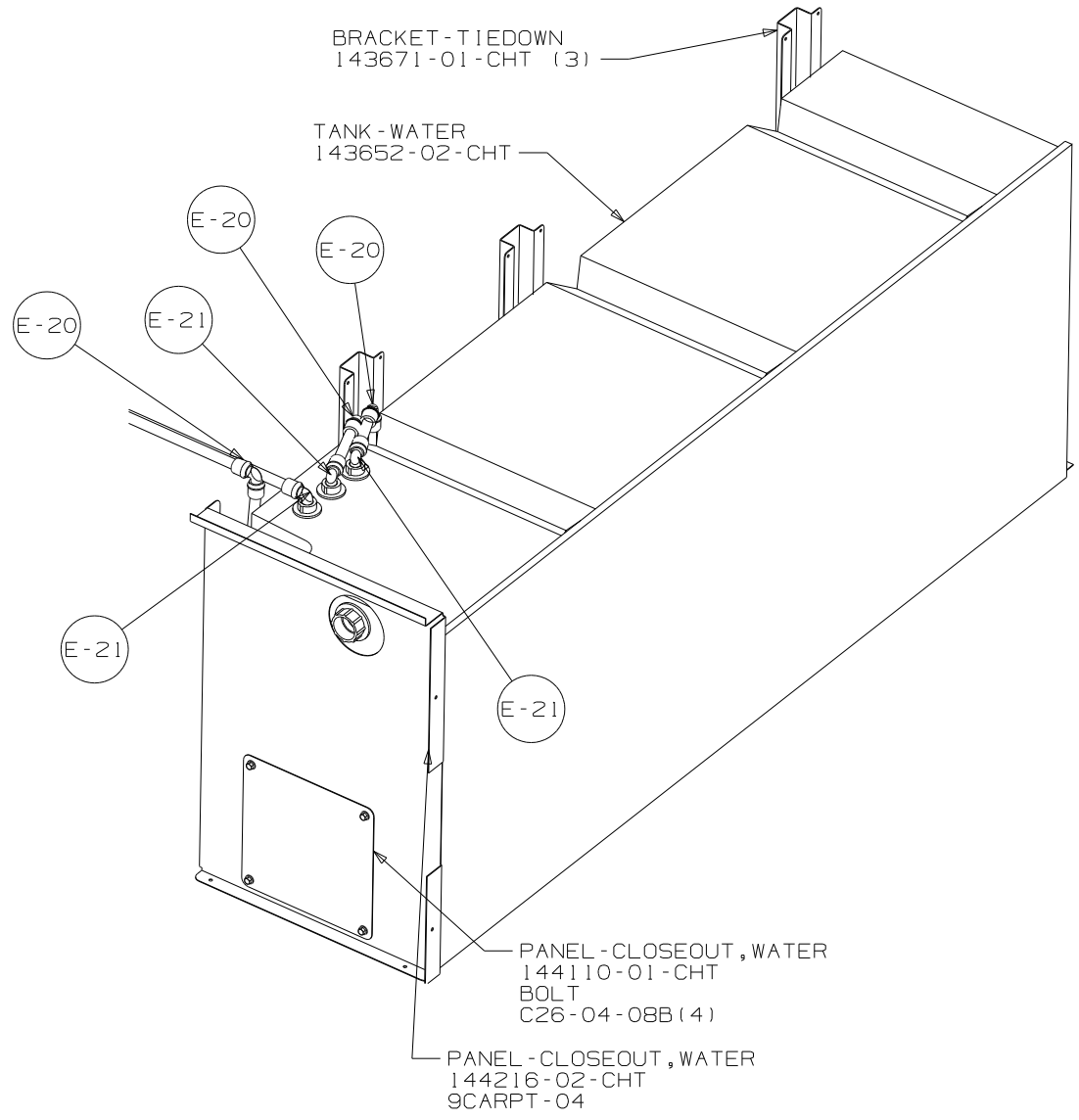
VIEW D
(FLOOR REMOVED)

- 505 T-21
- 505 TU-9 45
- 505 E-9
- 505 A-19
- 505 V-6
- 505 A-11
- 505 TU-9 30
- 505 A-12
- 505 TU-9 30
- 505 A-11
- 505 E-8
- 505 A-15
- 505 CH-4
- 505 TU-8 850
- 505 CH-4 2
- 505

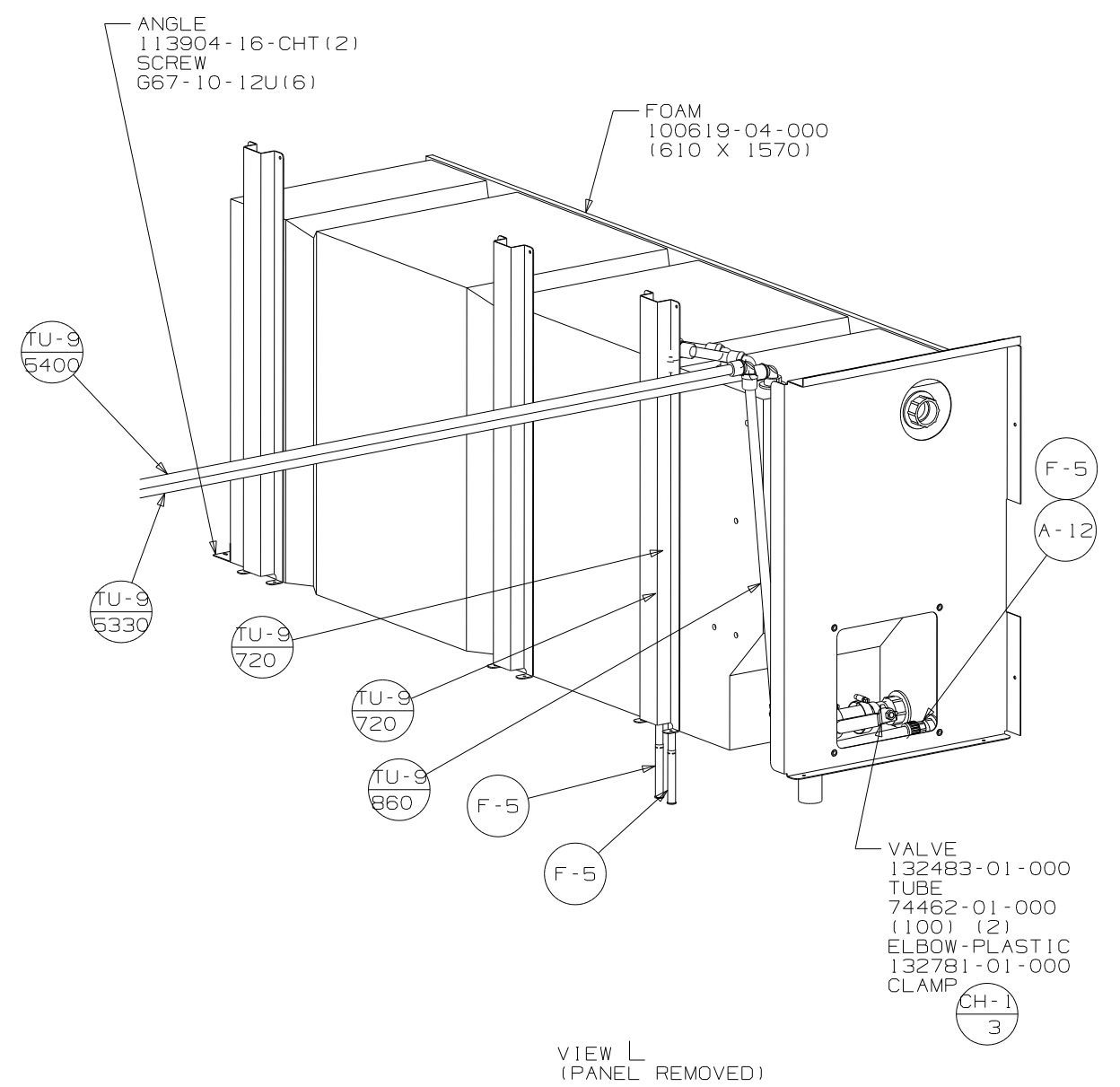


VIEW J

FIRST USED	03 Q40ED
TITLE	DO NOT SCALE DRAWING
TITLE	WATER SYSTEM INSTL
SHEET 4	PART NO 141872



VIEW K



VIEW L
(PANEL REMOVED)

FIRST USED	03 Q40ED
TITLE	DO NOT SCALE DRAWING
TITLE	WATER SYSTEM INSTL
SHEET 5	PART NO 141872