

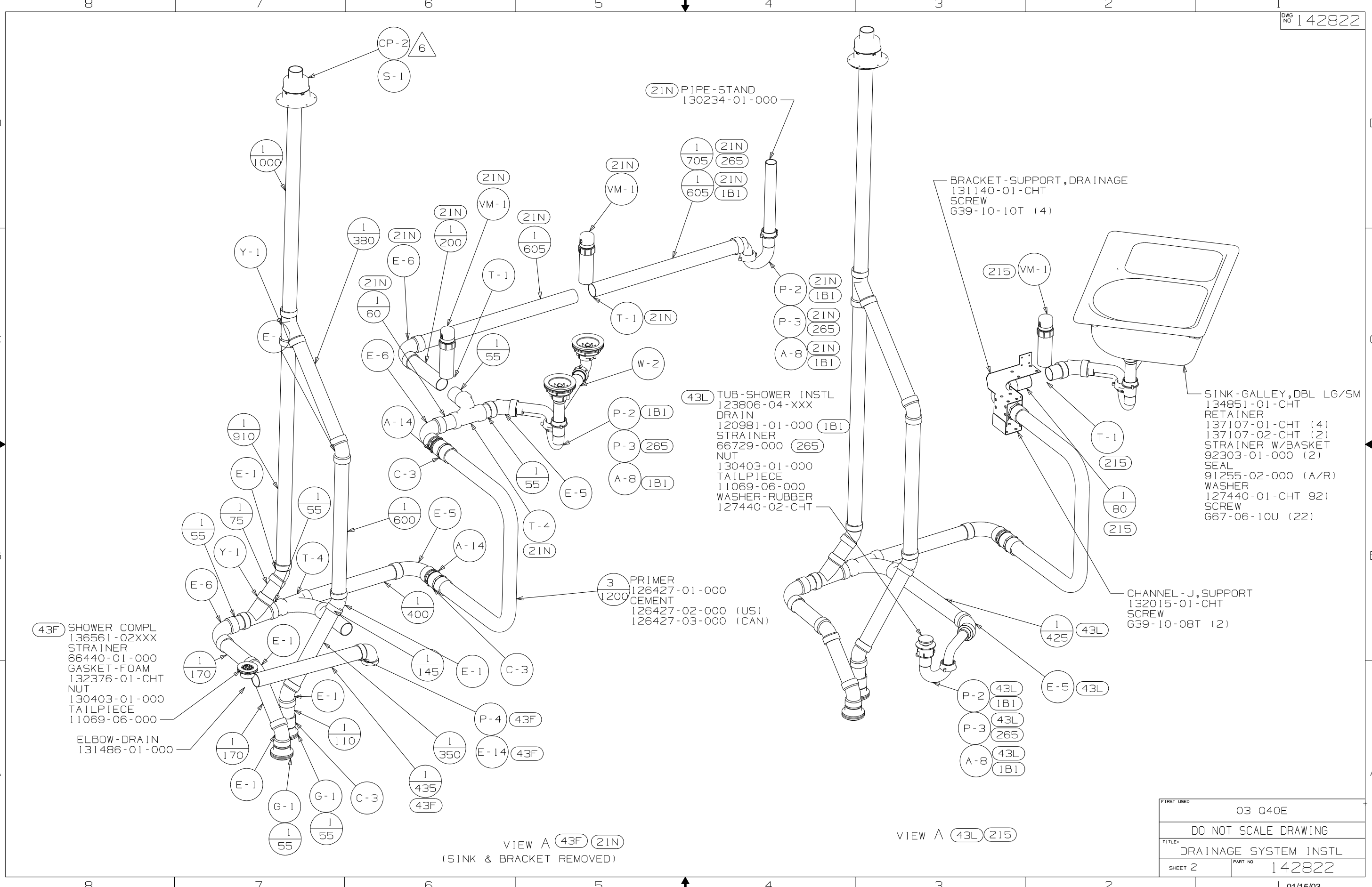
FRONT OF VEHICLE

- (43L) SHOWER/TUB W/WALL SURROUND
- (43F) SHOWER SURROUND
- (1B1) CODES/STANDARDS USA
- (265) CODES/STANDARDS-CSA/CMVSS
- (21N) DISHWASHER/BUILT-IN
- (215) DISHWASHER WITHOUT

- NOTES:
1. SLOPE OF HORIZONTAL PIPING TO BE 6 PER 305 MM.
  2. SLOPE OF TRAP ARM MUST BE 6 PER 305 MM.
  3. ALL PIPE AND FITTINGS TO BE ASSEMBLED WITH SOLVENT 4020-01-000.
  4. ALL EXTERIOR OPENINGS AROUND PIPE TO BE SEALED WITH 110744-01-000.
  5. SEAL AROUND SHOWER WITH SILICONE.
  6. VENT PIPE MUST PROJECT 51 MIN AND 63.5 MAX ABOVE ROOF FOR PROPER FIT AND FUNCTION.

(X-X)  
FOR DRAINAGE CALLOUTS SEE DWG NO 116229-01-000

<b>WINNEBAGO</b>		COPYRIGHT 2002 WINNEBAGO INDUSTRIES, INC.	
DFTR	ORIG. DATE	ALL DIMENSIONS ARE IN MILLIMETERS	
CHKR		FIRST USED	
P.E.		03 040E	
M.E.		UNSPECIFIED TOLERANCES ARE:	
DSNR		MATERIAL:	
		WHOLE DIM (X)	: 7
		ONE-PLACE (X.X)	:
		TWO-PLACE (X.XX)	:
		ANGLE	:
		THIRD ANGLE PROJECTION	
DO NOT SCALE DRAWING			
TITLE: DRAINAGE SYSTEM INSTL			
SHEET 1 OF 4	PART NO	142822	



43F SHOWER COMPL  
136561-02XXX  
STRAINER  
66440-01-000  
GASKET-FOAM  
132376-01-CHT  
NUT  
130403-01-000  
TAILPIECE  
11069-06-000

ELBOW-DRAIN  
131486-01-000

2IN PIPE- STAND  
130234-01-000

BRACKET-SUPPORT, DRAINAGE  
131140-01-CHT  
SCREW  
G39-10-10T (4)

43L TUB-SHOWER INSTL  
123806-04-XXX  
DRAIN  
120981-01-000 (1B1)  
STRAINER  
66729-000 (265)  
NUT  
130403-01-000  
TAILPIECE  
11069-06-000  
WASHER-RUBBER  
127440-02-CHT

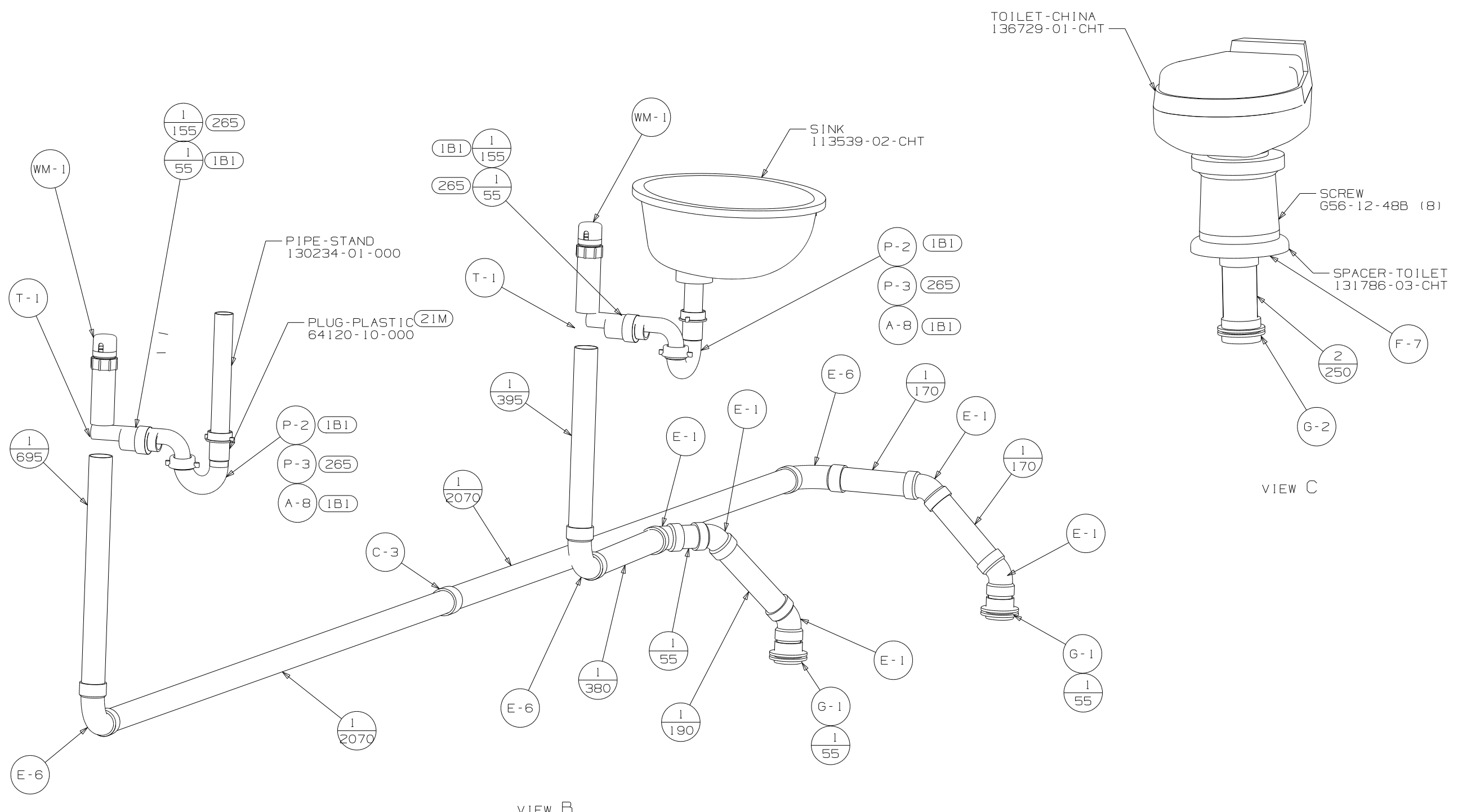
SINK-GALLEY, DBL LG/SM  
134851-01-CHT  
RETAINER  
137107-01-CHT (4)  
137107-02-CHT (2)  
STRAINER W/BASKET  
92303-01-000 (2)  
SEAL  
91255-02-000 (A/R)  
WASHER  
127440-01-CHT 92)  
SCREW  
G67-06-10U (22)

CHANNEL - J, SUPPORT  
132015-01-CHT  
SCREW  
G39-10-08T (2)

VIEW A 43F 2IN  
(SINK & BRACKET REMOVED)

VIEW A 43L 215

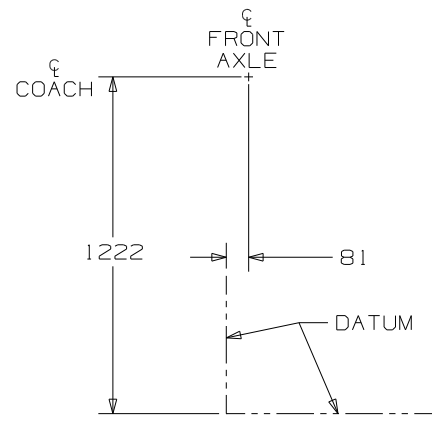
FIRST USED	03 Q40E
DO NOT SCALE DRAWING	
TITLE	DRAINAGE SYSTEM INSTL
SHEET 2	PART NO 142822



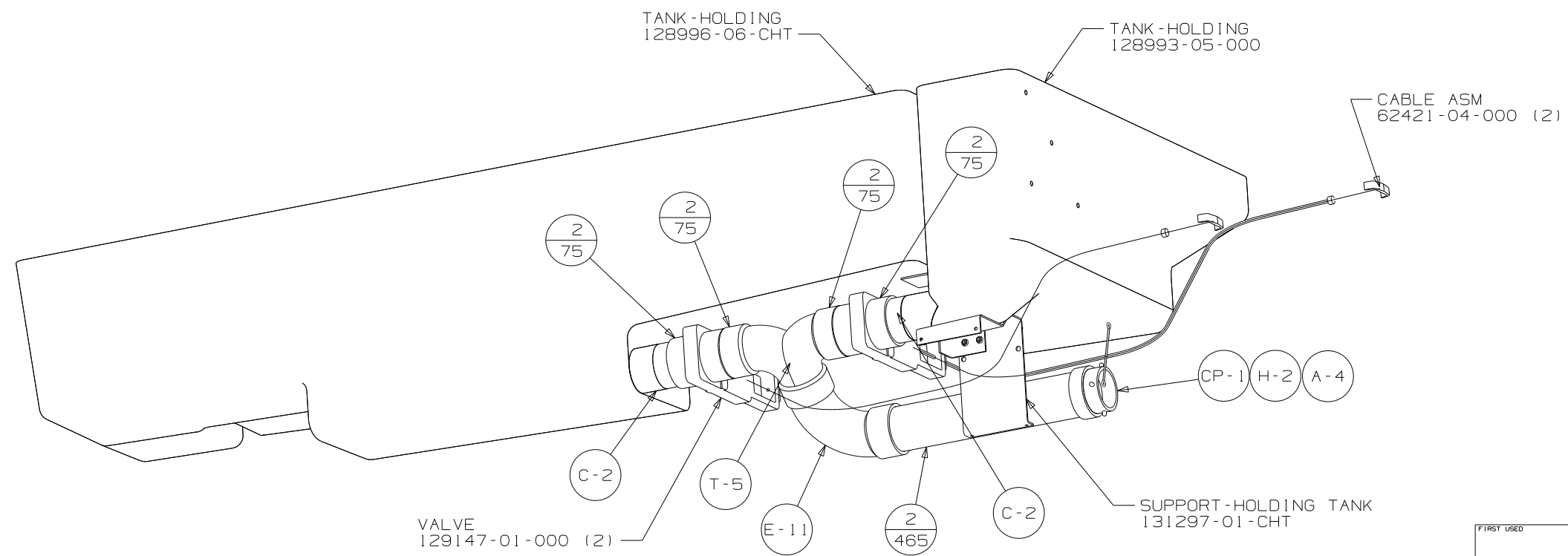
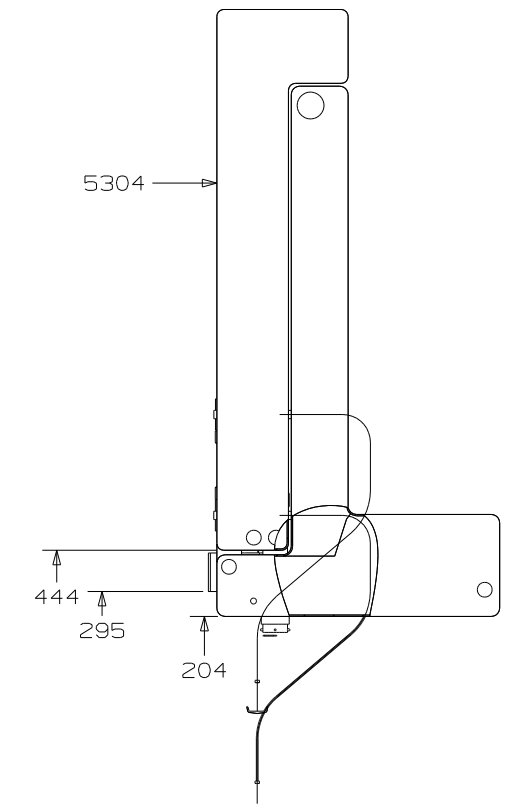
VIEW B

VIEW C

FIRST USED	03 Q40E
DO NOT SCALE DRAWING	
TITLE: DRAINAGE SYSTEM INSTL	
SHEET 3	PART NO 142822

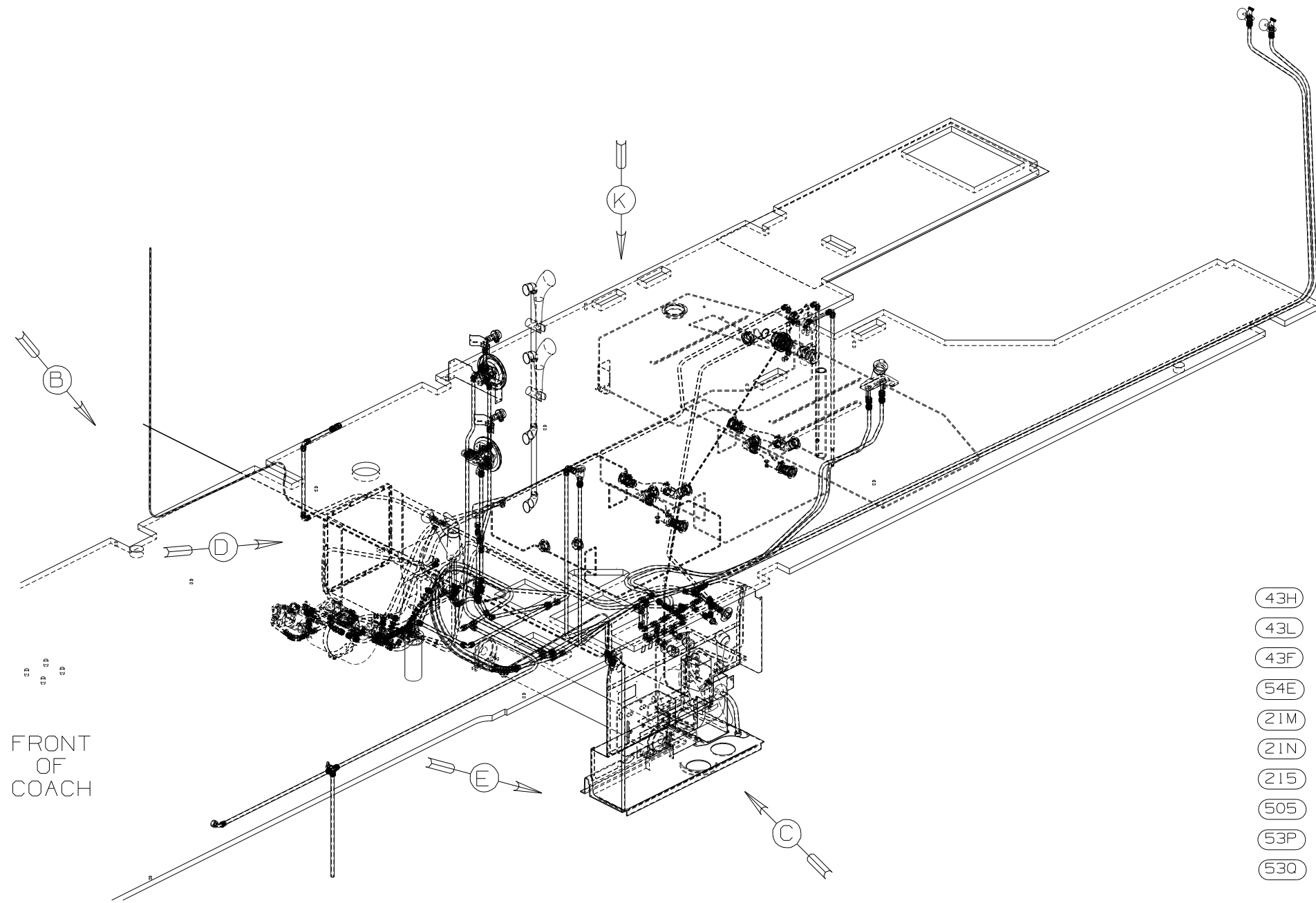


VIEW D



VIEW E

FIRST USED	03 Q40E
DO NOT SCALE DRAWING	
TITLE	DRAINAGE SYSTEM INSTL
SHEET 4	PART NO 142822



FRONT OF COACH

- (43H) SHOWER HEAD-HAND HELD
- (43L) SHOWER/TUB W/WALL SURROUND
- (43F) SHOWER SURROUND
- (54E) WASHER/DRYER
- (21M) WASHER/DRYER PREP
- (21N) DISHWASHER/BUILT-IN
- (215) DISHWASHER WITHOUT
- (505) HOSE REEL-WATER,POWERED
- (53P) WINTERIZING VALVE,MANUAL
- (53Q) WINTERIZING KIT

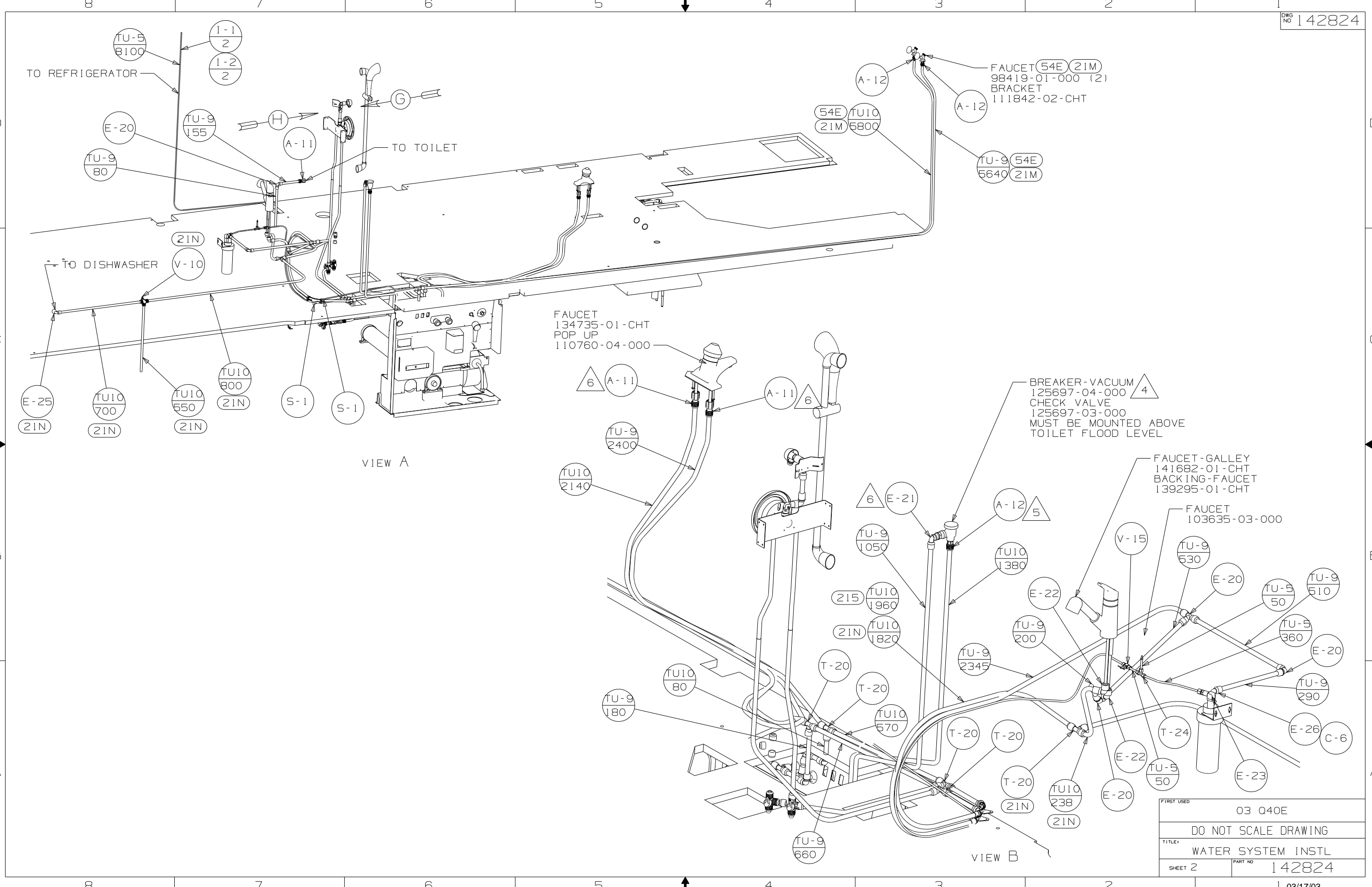
- △6 ADD TEFLON TAPE 10405-01-000.
- △5 ADD TEFLON TAPE 10405-03-000.
- △4 FLUSHING SYSTEM REQUIRES 125697-06-000 INSTRUCTION SHEET.

- 3. ALL TUBING TO BE SECURED AT 1200 INTERVALS MAXIMUM WITH CLAMP 10495-01-000 OR CLIP 91951-01-000 AND SCREW G67-10-12B.
- 2. TUBING TO BE INSTALLED WITH SUFFICIENT SLOPE TO PROVIDE DRAINAGE TO NEAREST VALVE.
- 1. PLASTIC FITTINGS TO BE SEALED WITH SEALANT 84456-01-000.

NOTES:

<b>WINNEBAGO</b>		COPYRIGHT 2003 WINNEBAGO INDUSTRIES, INC.	
DFTR	ORIG. DATE	ALL DIMENSIONS ARE IN MILLIMETERS	
CHKR		FIRST USED	
P.E.		03 040E	
M.E.			
DSNR			
UNSPECIFIED TOLERANCES ARE:		MATERIAL:	
WHOLE DIM (X)	: 7		
ONE-PLACE (X.X)	:		
TWO-PLACE (X.XX)	:		
ANGLE	:		
THIRD ANGLE PROJECTION			
DO NOT SCALE DRAWING			
TITLE: WATER SYSTEM INSTL			
SHEET 1 OF 6		PART NO 142824	

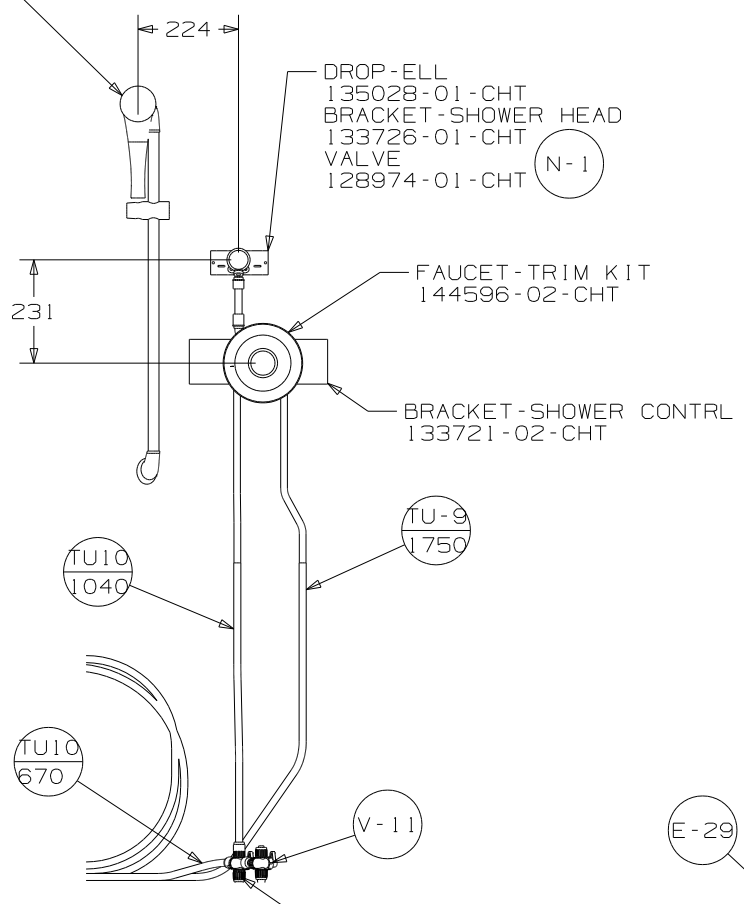
(X-X)  
FOR  
WATER  
CALLOUTS  
SEE DWG NO  
116230-01-000



FIRST USED	03 Q40E
DO NOT SCALE DRAWING	
TITLE:	WATER SYSTEM INSTL
SHEET 2	PART NO 142824

SHOWER-HAND HELD, W/SLIDE BAR  
143525-01-CHT

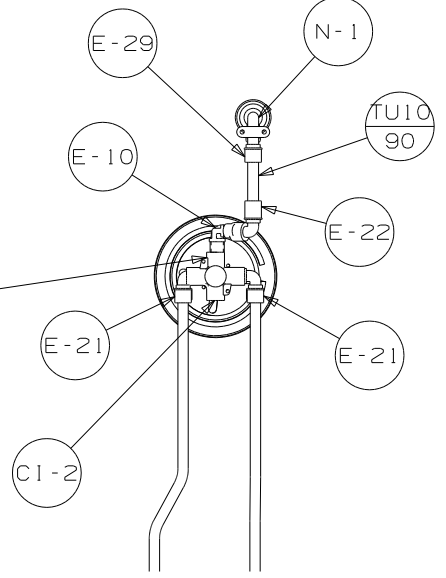
SHOWER-HAND HELD, W/SLIDE BAR  
143525-01-CHT



VIEW G

43F 43H

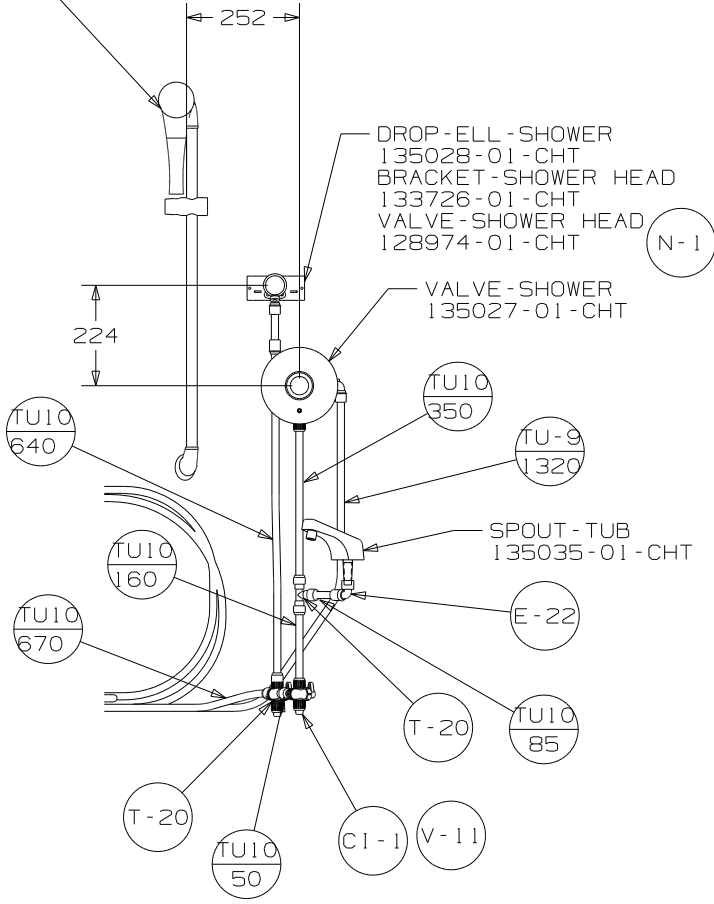
FAUCET - VALVE, SHOWER  
144596-01-CHT



VIEW H

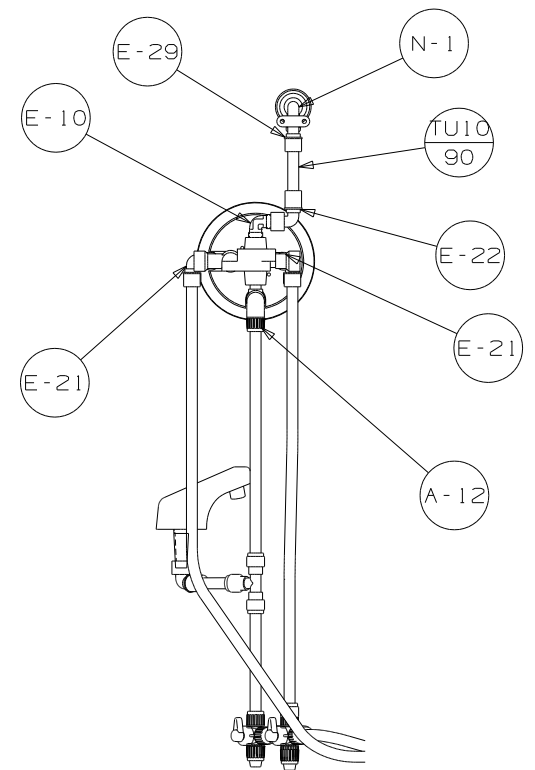
43F 43H

SHOWER-HAND HELD, W/SLIDE BAR  
143525-01-CHT



VIEW G

43H 43L

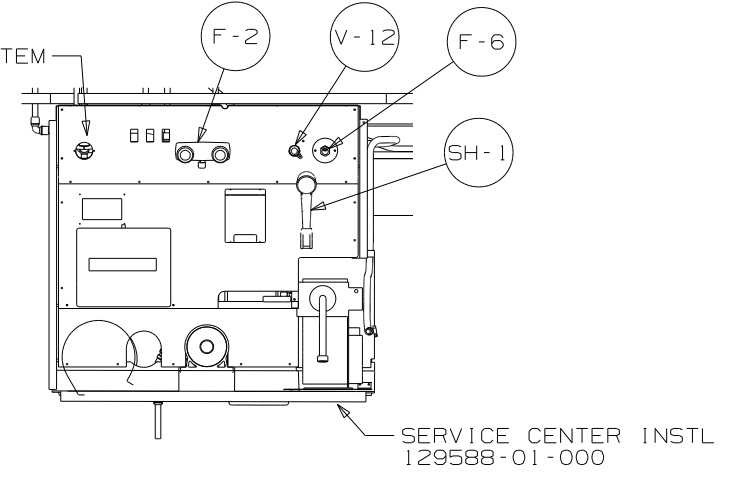


VIEW H

43H 43L

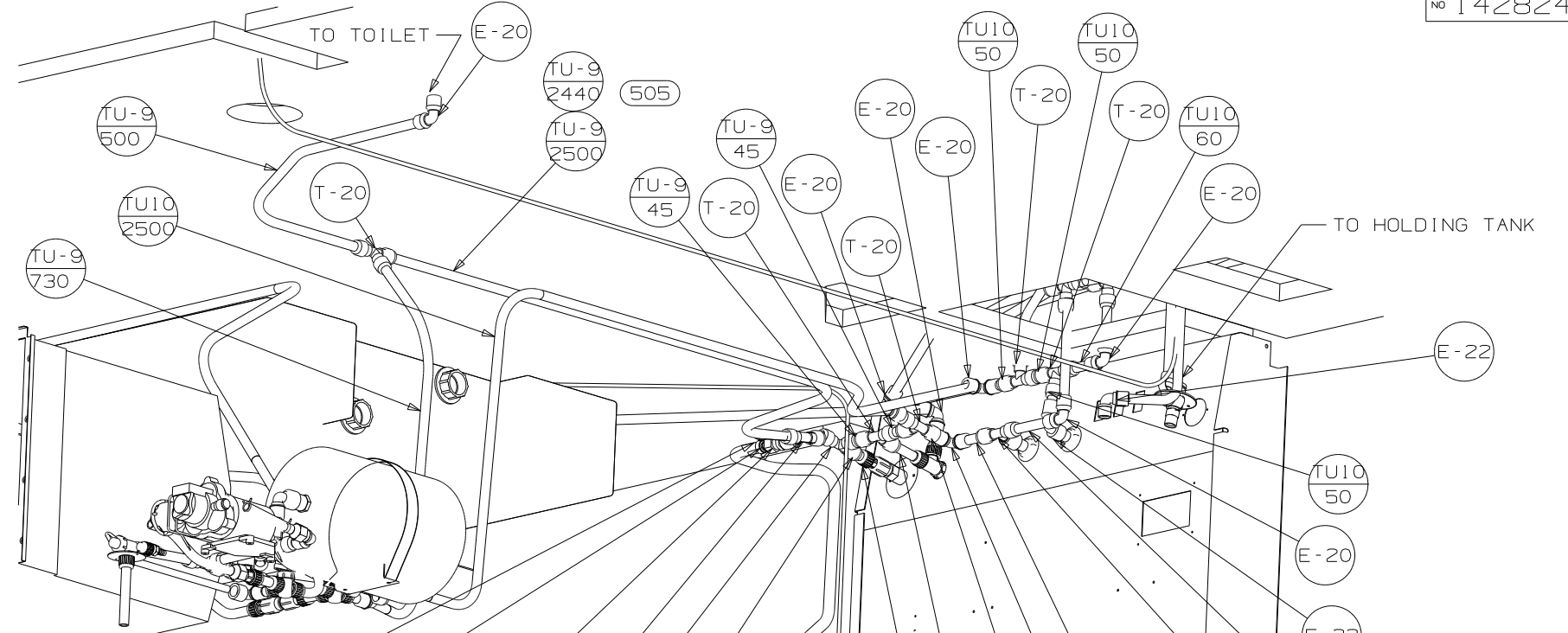
FIRST USED	03 Q40E
TITLE	DO NOT SCALE DRAWING
TITLE	WATER SYSTEM INSTL
SHEET 3	PART NO 142824

INLET-WATER FLUSHING SYSTEM



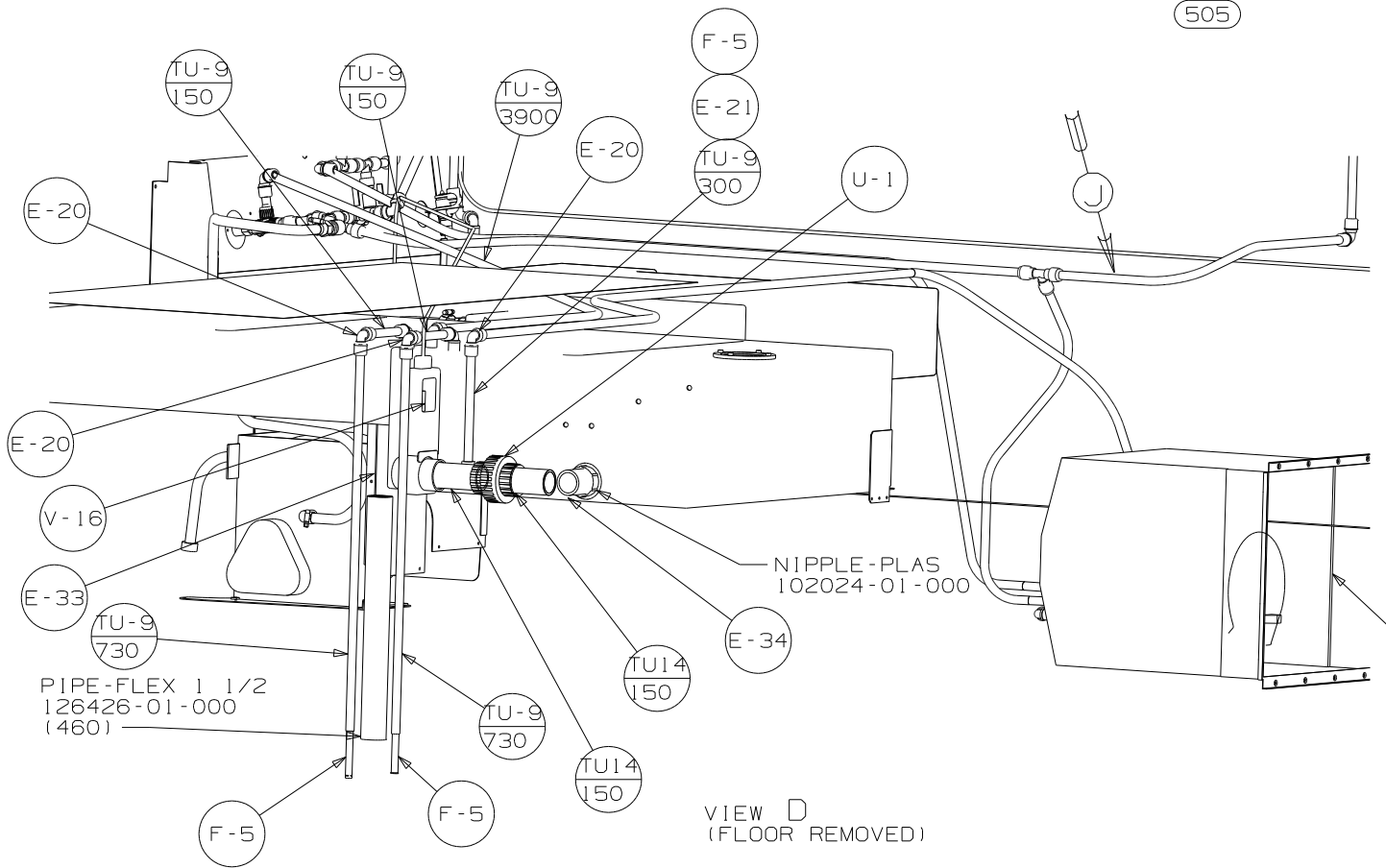
VIEW C

SERVICE CENTER INSTL  
129588-01-000



VIEW E

- HOSE REEL (505)
- 142675-01-CHT
- ANGLE
- 136002-27-CHT
- BRACKET
- 142667-01-CHT
- RIVET
- 118626-01-CHT (6)



VIEW D  
(FLOOR REMOVED)

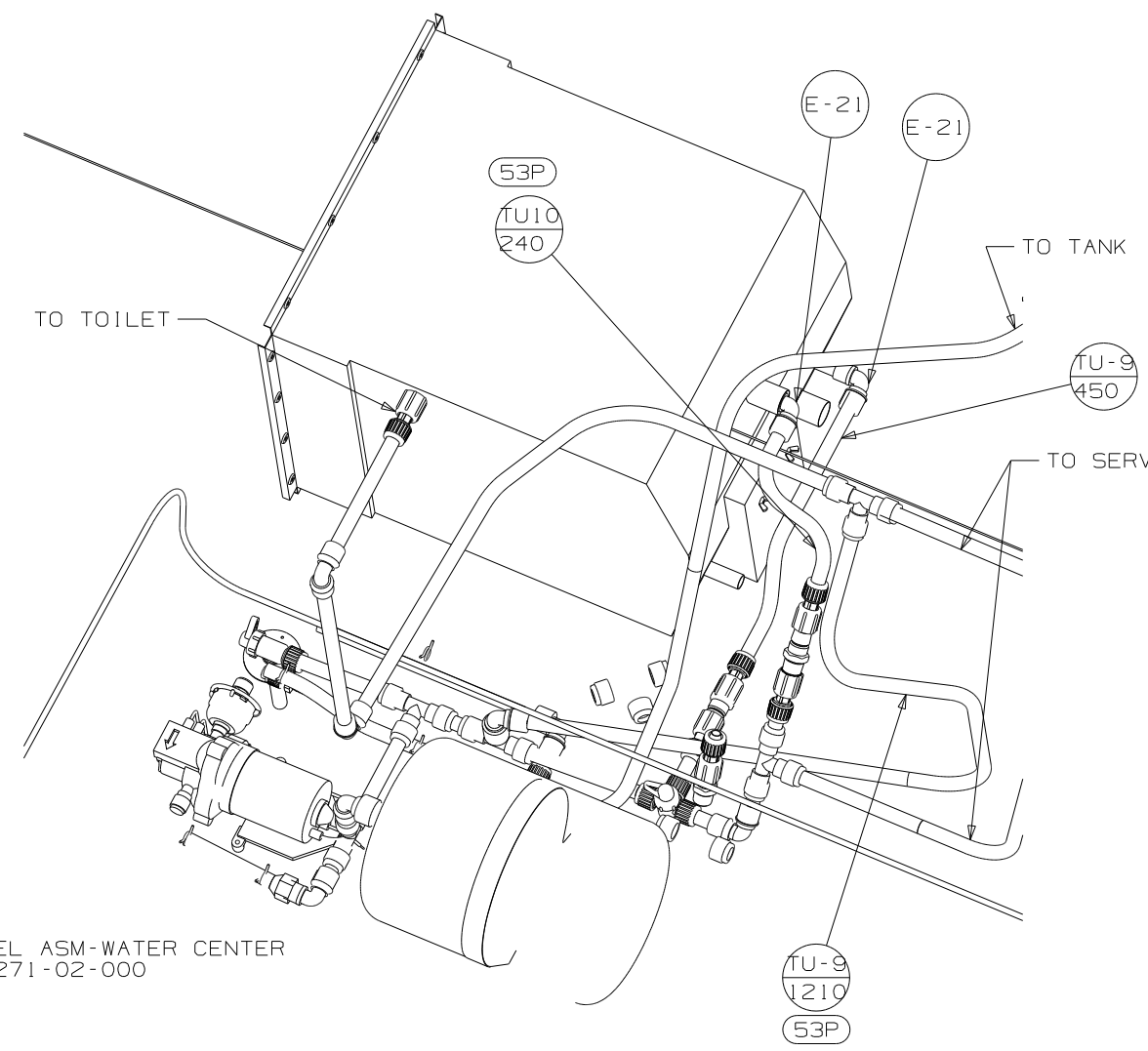
WATER HEATER  
51391-05-000  
DOOR  
125420-01-CHT

NIPPLE-PLAS  
102024-01-000

PIPE-FLEX 1 1/2  
126426-01-000  
(460)

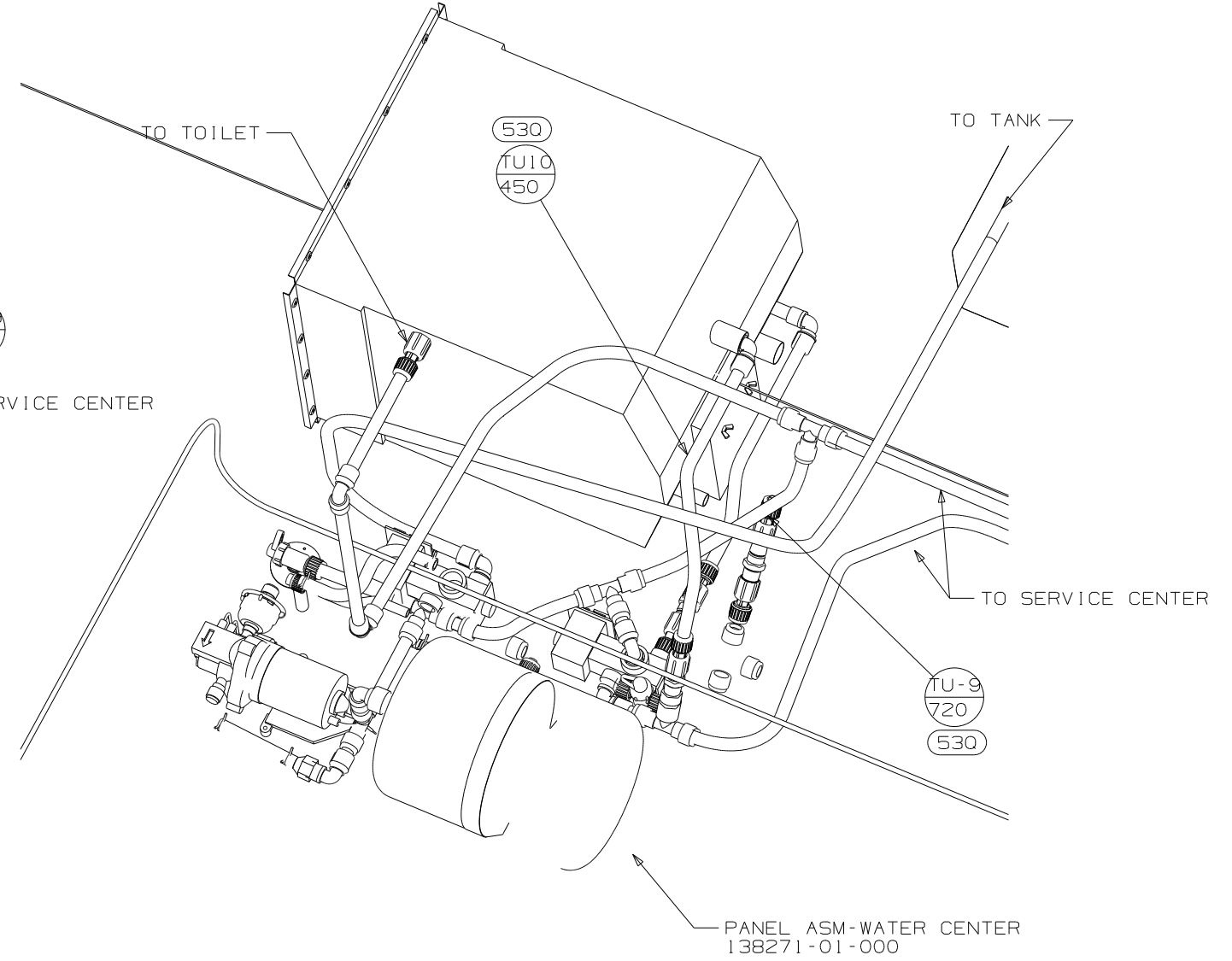
FIRST USED	03 Q40E
TITLE	DO NOT SCALE DRAWING
TITLE	WATER SYSTEM INSTL
SHEET 4	PART NO 142824





PANEL ASM-WATER CENTER  
138271-02-000

VIEW J

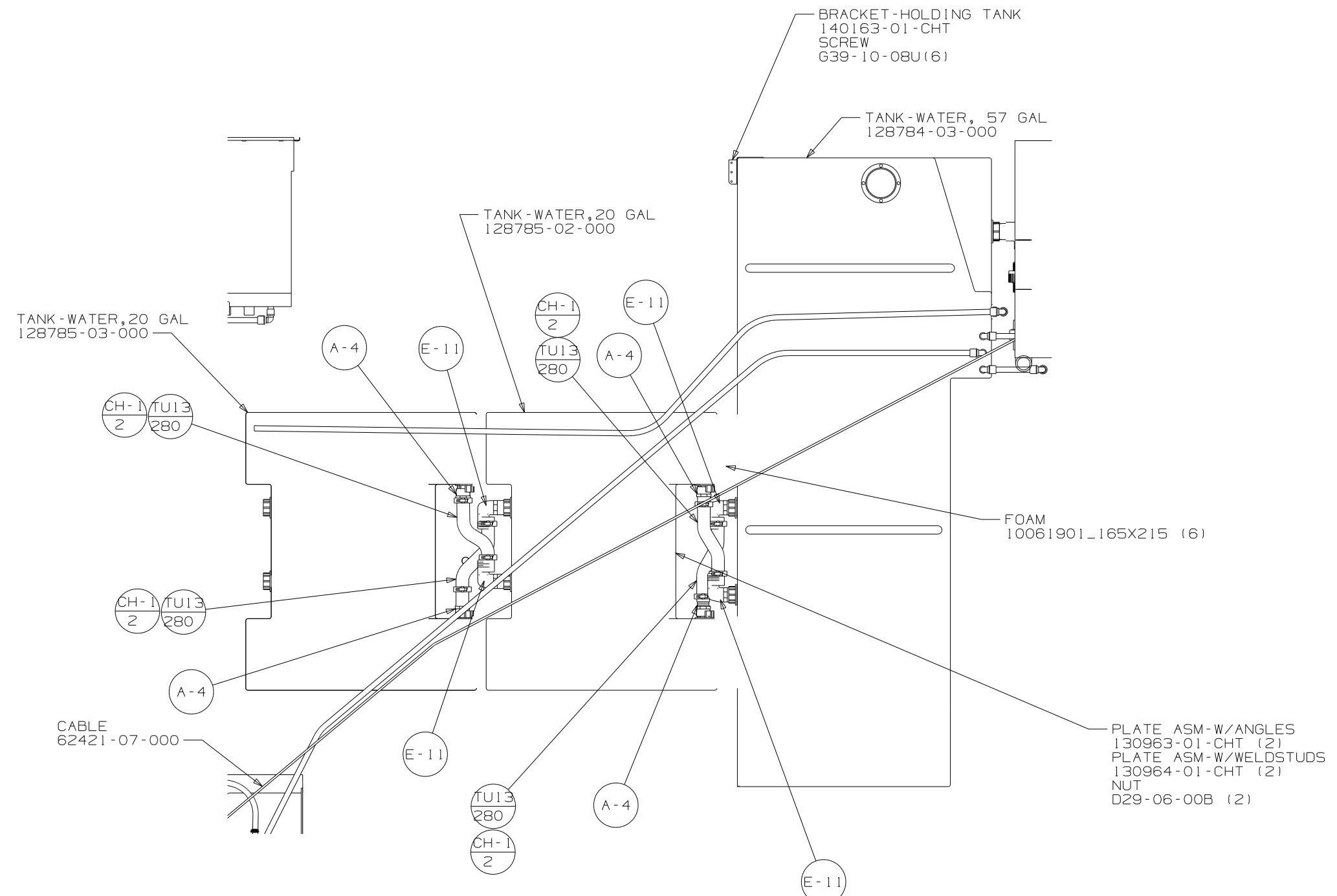


PANEL ASM-WATER CENTER  
138271-01-000

VIEW J

530

FIRST USED	03 Q40E
TITLE	DO NOT SCALE DRAWING
SHEET 5	PART NO 142824



VIEW K

FIRST USED	03 Q40E
TITLE	DO NOT SCALE DRAWING
	WATER SYSTEM INSTL
SHEET 6	PART NO 142824