

5. SEE DRAWING 61607-01-000 FOR INSTALLATION OF GROMMET.

8. SECURE VENT TUBES TO FLOOR WITH BRACKET 136878-01-CHT (3), CLAMP 62401-02-000 (3), SCREW G67-10-12B (3).

7. SECURE PIPES TO CABINET USING WIRE TIE 108046-02-000 AND SCREW G67-10-12U (8).

6. VENT PIPE MUST PROECT 51 MIN AND 64 MAX ABOVE ROOF FOR PROPER FIT AND FUNCTION.

5. SEAL AROUND SHOWER WITH SILICONE 78474-01-CHT.

4. ALL EXTERIOR OPENINGS AROUND PIPE TO BE SEALED WITH 69637-01-000.

3. ALL PIPE AND FITTINGS TO BE ASSEMBLED WITH SOLVENT 4020-01-000.

2. SLOPE OF TRAP ARM MUST BE 6 PER 300 mm MINIMUM.

1. SLOPE OF HORIZONTAL PIPING TO BE MIN 6 PER 300 mm MINIMUM.

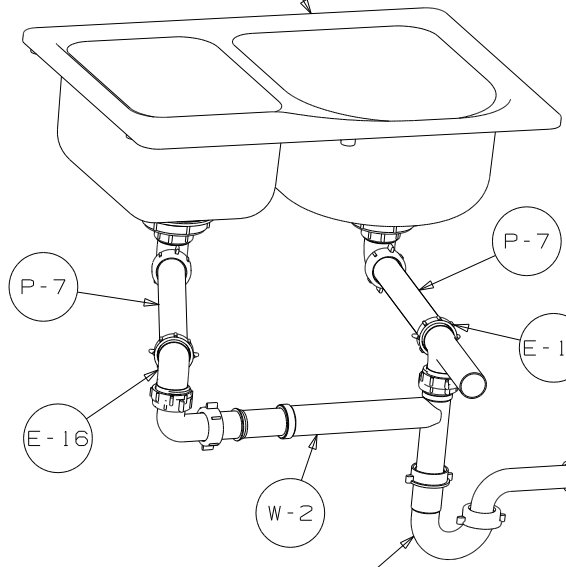
NOTES:

- (1B1) CODES/STANDARDS-USA
- (265) CODES/STDS-CSA/CMVSS
- (43L) SHOWER/TUB W/WALL SURROUND
- (43H) SHOWER HEAD-HAND HELD
- (21N) DISHWASHER-BUILT-IN
- (215) DISHWASHER WITHOUT
- (54E) WASHER/DRYER
- (21T) WASHER/DRYER WITHOUT

WINNEBAGO		COPYRIGHT 2002 WINNEBAGO INDUSTRIES, INC.	
DFTR	ORIG. DATE	ALL DIMENSIONS ARE IN MILLIMETERS	
CHKR		FIRST USED	
P.E.		03 Q38K	
M.E.		UNSPECIFIED TOLERANCES ARE:	
DSNR		MATERIAL:	
		WHOLE DIM (X) :	7
		ONE-PLACE (X.X) :	
		TWO-PLACE (X.XX) :	
		ANGLE :	
		THIRD ANGLE PROJECTION	
DO NOT SCALE DRAWING			
TITLE: DRAINAGE SYSTEM INSTL			
SHEET 1 OF 4	PART NO	143776	

(X-X)
FOR
DRAINAGE
CALLOUTS
SEE DWG NO
116229-01-000

- SINK
134851-01-CHT
- RETAINER
137107-01-CHT (4)
137107-02-CHT (3)
- STRAINER-W/BASKET
92303-01-000 (2)
- SEALER
91255-02-000 (A/R)
- WASHER
127440-01-CHT (2)
- SCREW
G37-06-10U (22)



- (1B1) P-2
- (265) P-3
- (1B1) A-8

- (1) 60
- (1) 140
- (265)

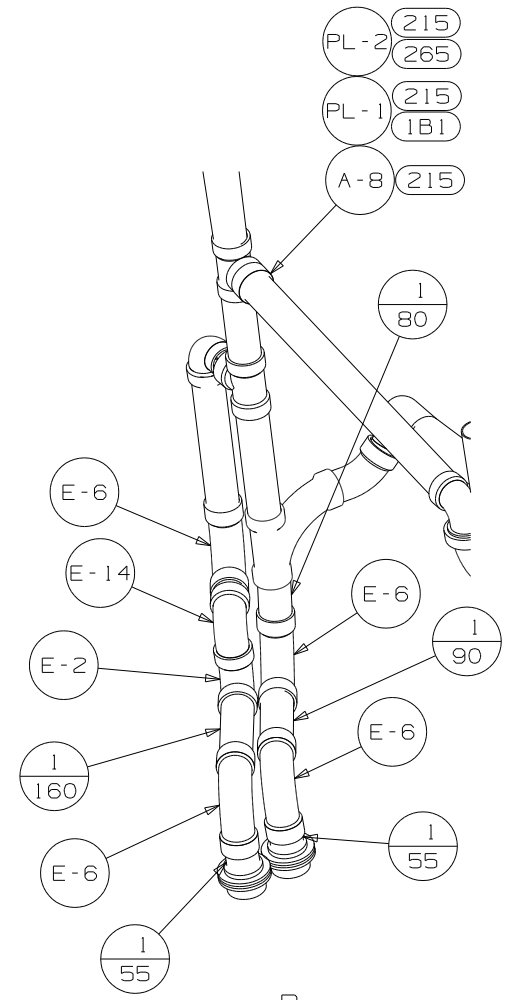
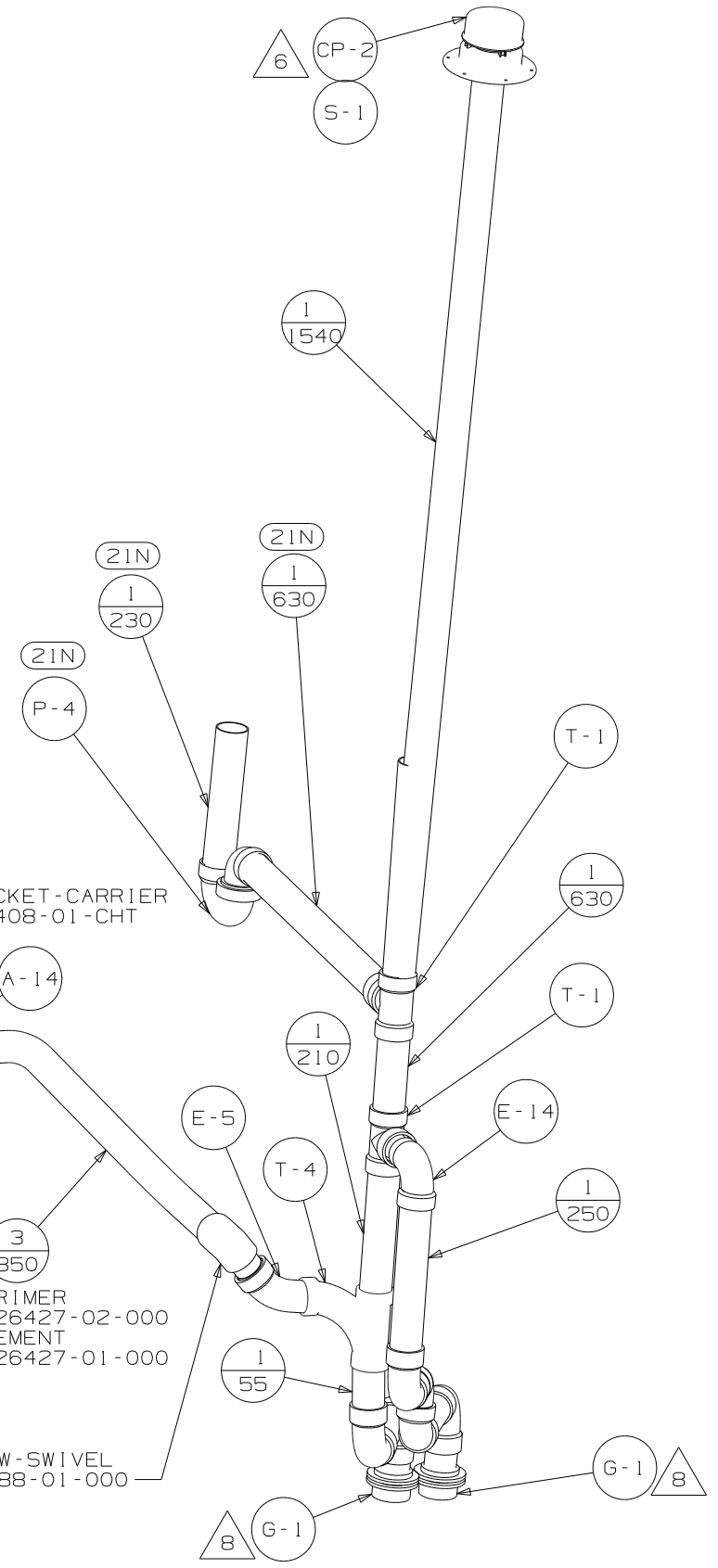
BRACKET-COVER
129406-01-CHT

BRACKET-CARRIER
129408-01-CHT

PRIMER
126427-02-000
CEMENT
126427-01-000

ELBOW-SWIVEL
129488-01-000

VIEW A



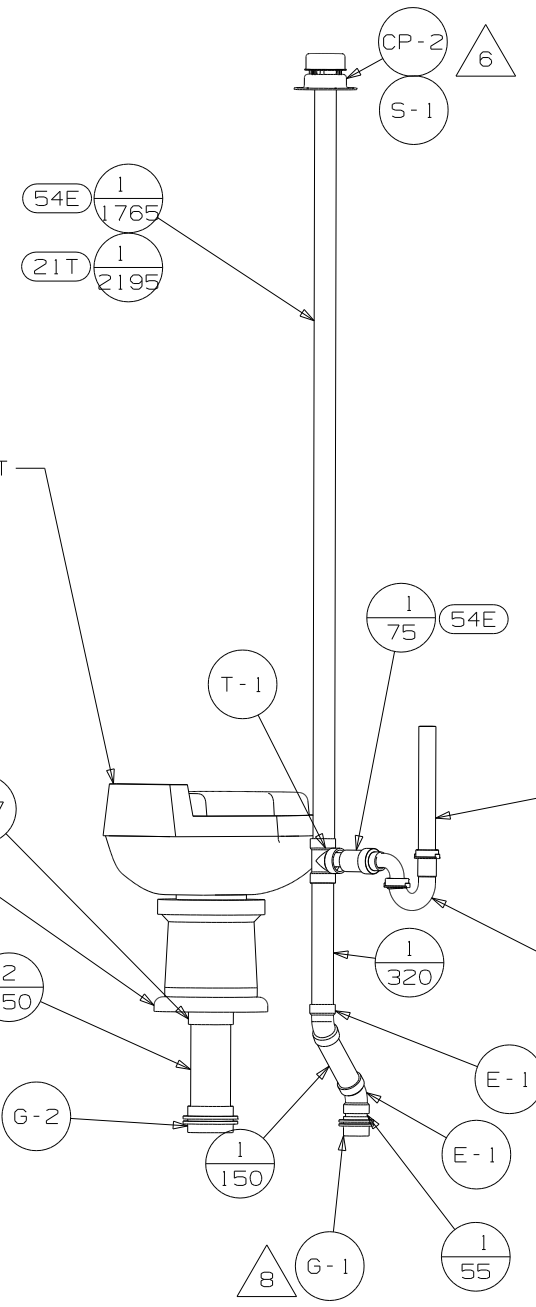
VIEW B

FIRST USED	03 Q38K
DO NOT SCALE DRAWING	
TITLE: DRAINAGE SYSTEM INSTL	
SHEET 2	PART NO 143776

TOILET-CHINA
136729-01-CHT

SPACER-TOILET
131786-03-CHT
SCREW
G56-12-48B (8)

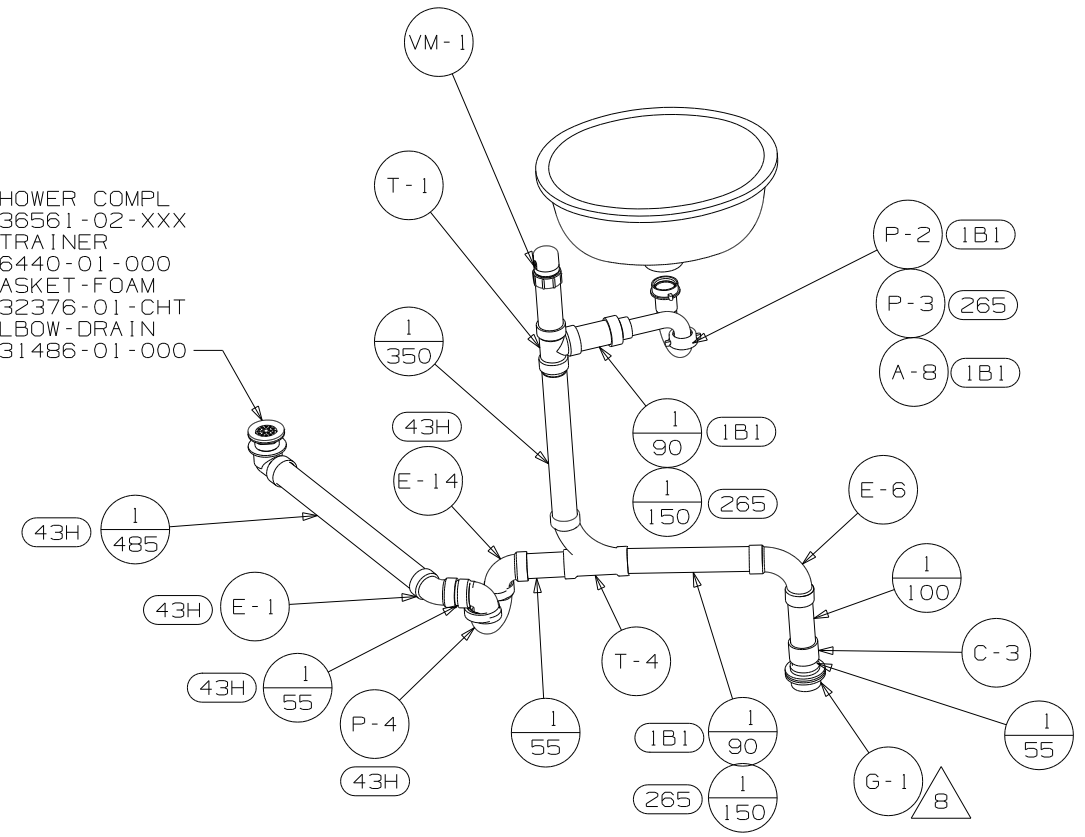
PIPE- STAND (54E)
130234-01-000



VIEW C

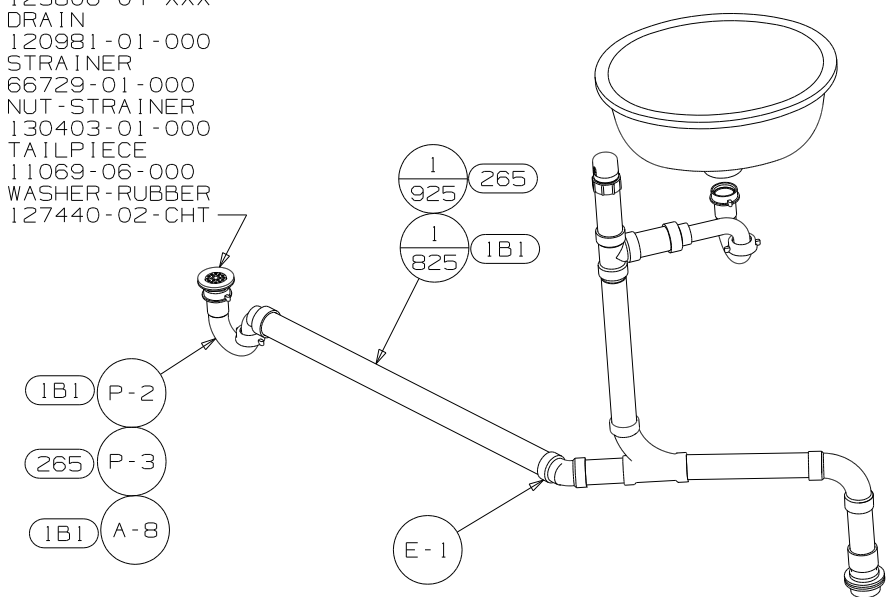
- P-2 (1B1) (54E)
- P-3 (265) (54E)
- A-8 (1B1) (54E)

- (43H) SHOWER COMPL
136561-02-XXX
- STRAINER
66440-01-000
- GASKET-FOAM
132376-01-CHT
- ELBOW-DRAIN
131486-01-000



VIEW D

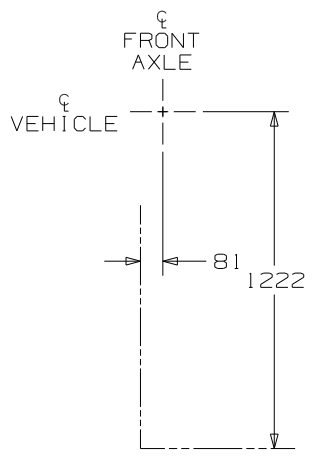
- TUB/SHOWER INSTL
123806-04-XXX
- DRAIN
120981-01-000
- STRAINER
66729-01-000
- NUT-STRAINER
130403-01-000
- TAILPIECE
11069-06-000
- WASHER-RUBBER
127440-02-CHT



VIEW D

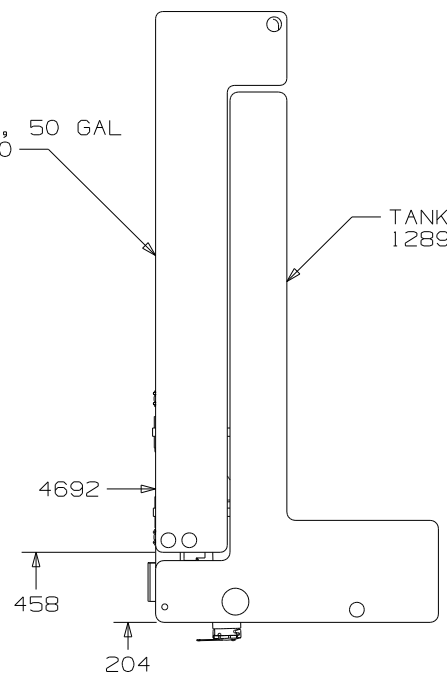
(43L)

FIRST USED	03 Q38K
DO NOT SCALE DRAWING	
TITLE	DRAINAGE SYSTEM INSTL
SHEET 3	PART NO 143776



TANK -HOLDING, 50 GAL
128996-02-000

TANK -HOLDING, 54 GAL
128993-02-000



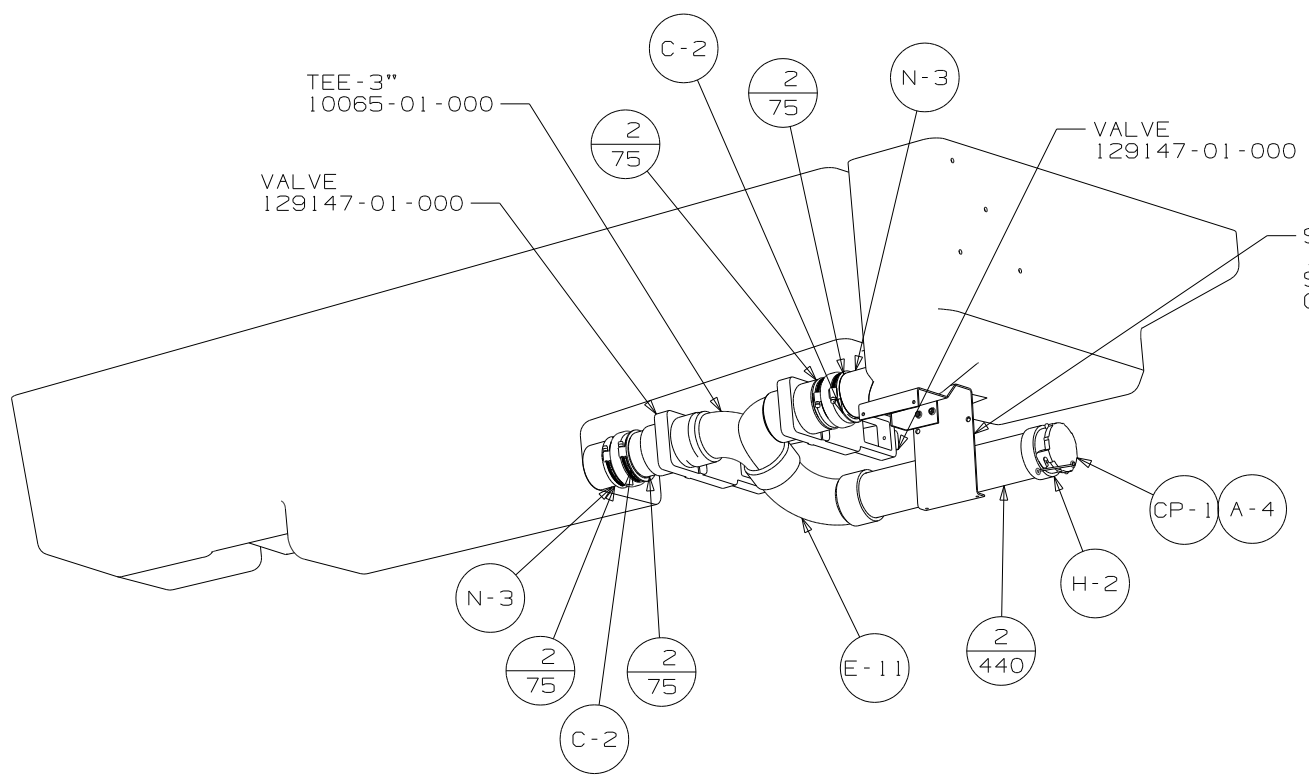
VIEW E

TEE -3"
10065-01-000

VALVE
129147-01-000

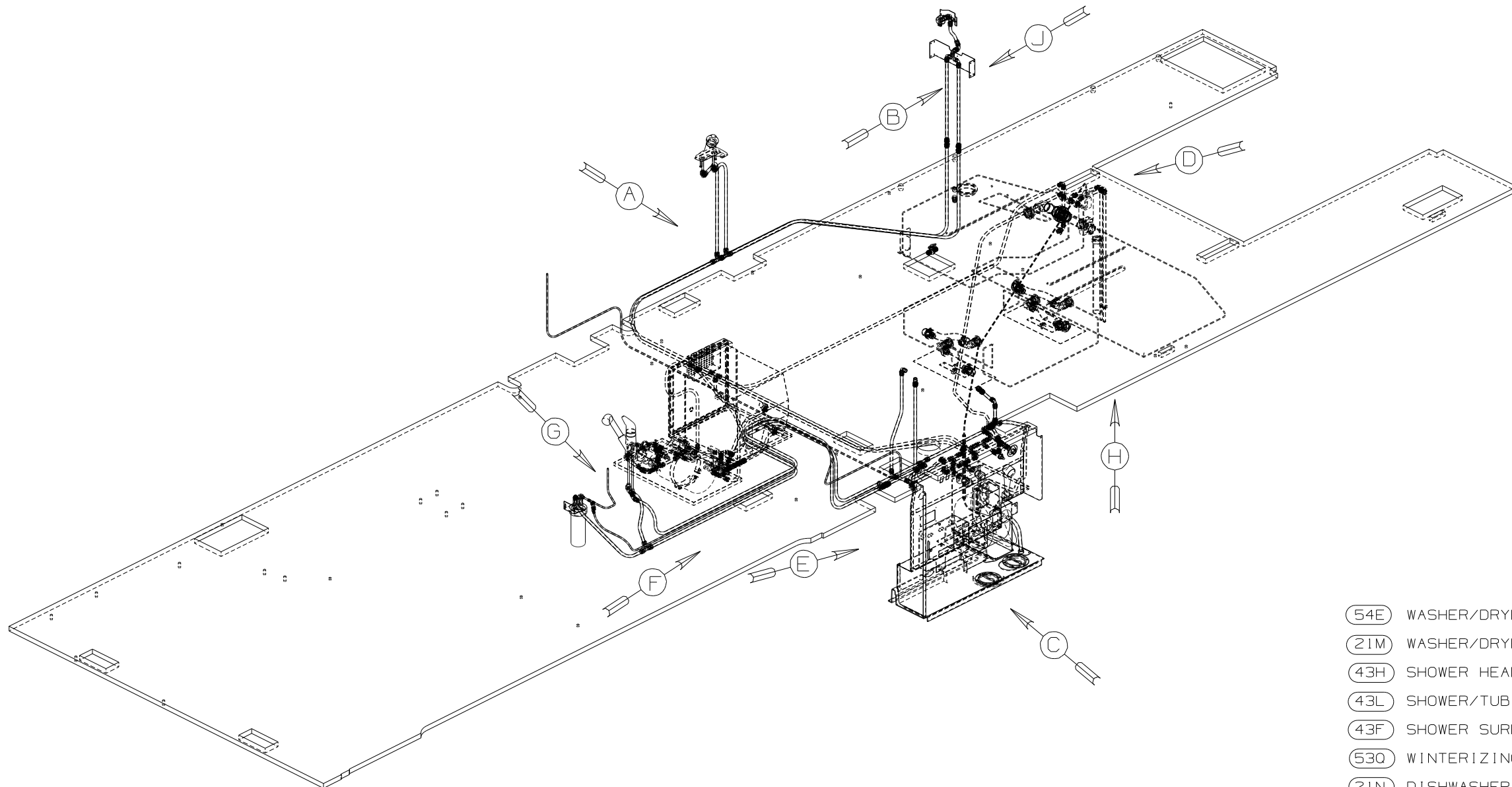
VALVE
129147-01-000

SUPPORT ASM
131297-01-CHT
SCREW
G39-08-08B (4)



VIEW F

FIRST USED	03 Q38K
TITLE	DO NOT SCALE DRAWING DRAINAGE SYSTEM INSTL
SHEET 4	PART NO 143776



- (54E) WASHER/DRYER
- (21M) WASHER/DRYER PREP
- (43H) SHOWER HEAD-HAND HELD
- (43L) SHOWER/TUB W/WALL SURROUND
- (43F) SHOWER SURROUND
- (53Q) WINTERIZING KIT
- (21N) DISHWASHER/BUILT IN
- (215) DISHWASHER WITHOUT
- (505) WATER SUPPLY HOSE W/REEL

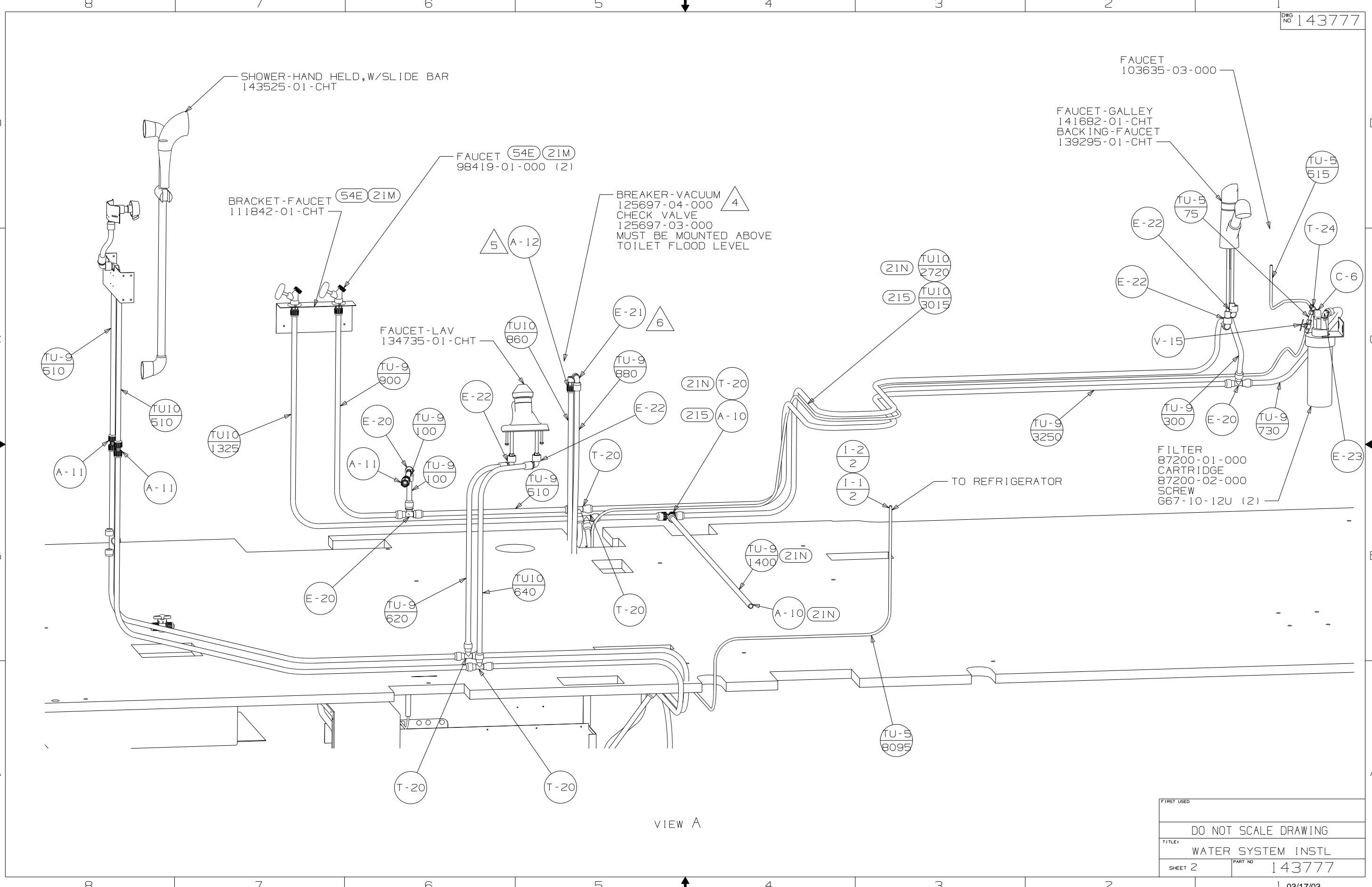
- ⑥ ADD TEFLON TAPE 10405-01-000.
- ⑤ ADD TEFLON TAPE 10405-02-000.
- ④ FLUSHING SYSTEM REQUIRES 125697-06-000 INSTRUCTION SHEET.

3. ALL TUBING TO BE SECURED AT 1200 INTERVALS MAXIMUM WITH CLAMP 10495-01-000 OR CLIP 91951-01-000 AND SCREW G67-10-12B.
2. TUBING TO BE INSTALLED WITH SUFFICIENT SLOPE TO PROVIDE DRAINAGE TO NEAREST VALVE.
1. PLASTIC FITTINGS TO BE SEALED WITH SEALANT 84456-01-000.

NOTES:

(X-X)
FOR
WATER
CALLOUTS
SEE DWG NO
116230-01-000

WINNEBAGO		COPYRIGHT 2003 WINNEBAGO INDUSTRIES, INC.	
DFTR	ORIG. DATE	ALL DIMENSIONS ARE IN MILLIMETERS	
CHKR		FIRST USED	
P.E.		03 Q38K	
M.E.		UNSPECIFIED TOLERANCES ARE:	
DSNR		MATERIAL:	
		WHOLE DIM (X) :	7
		ONE-PLACE (X.X) :	
		TWO-PLACE (X.XX) :	
		ANGLE :	
THIRD ANGLE PROJECTION		DO NOT SCALE DRAWING	
TITLE: WATER SYSTEM INSTL			
SHEET 1 OF 5		PART NO 143777	
REF: 137720 1 03/17/03			



SHOWER-HAND HELD, W/SLIDE BAR
143525-01-CHT

FAUCET
103635-03-000

FAUCET-GALLEY
141682-01-CHT
BACKING-FAUCET
139295-01-CHT

FAUCET (54E) (21M)
98419-01-000 (2)

BRACKET-FAUCET
111842-01-CHT

BREAKER-VACUUM
125697-04-000
CHECK VALVE
125697-03-000
MUST BE MOUNTED ABOVE
TOILET FLOOD LEVEL

FAUCET-LAV
134735-01-CHT

FILTER
87200-01-000
CARTRIDGE
87200-02-000
SCREW
G67-10-12U (2)

TO REFRIGERATOR

VIEW A

FIRST USED	
DO NOT SCALE DRAWING	
TITLE: WATER SYSTEM INSTL	
SHEET 2	PART NO 143777

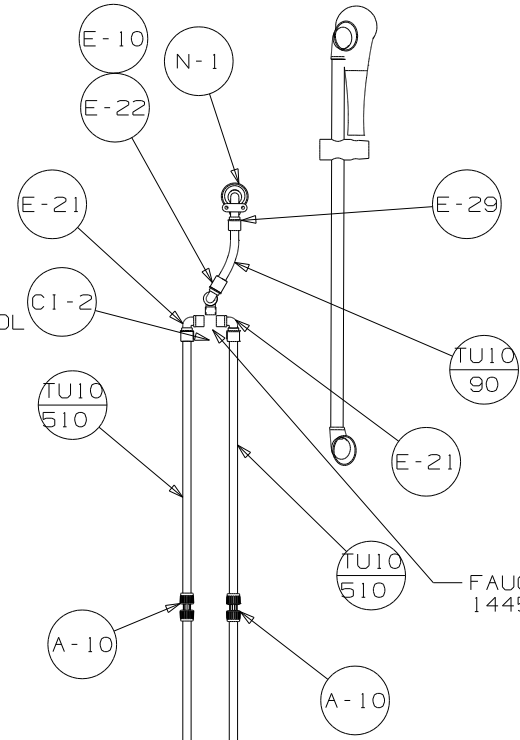
SHOWER-HAND HELD, W/SLIDE BAR
143525-01-CHT

DROP-ELL
135028-01-CHT
BRACKET-SHOWER HEAD
133726-01-CHT
VALVE-SHOWER HEAD
128974-01-CHT

BRACKET-SHOWER CONTROL
133721-02-CHT

FAUCET-TRIM KIT
144596-02-CHT

VIEW B (43F)
(43H)



VIEW J (43F)
(43H)

FAUCET-VALVE, SHOWER
144596-01-CHT

SHOWER-HAND HELD, W/SLIDE BAR
143525-01-CHT

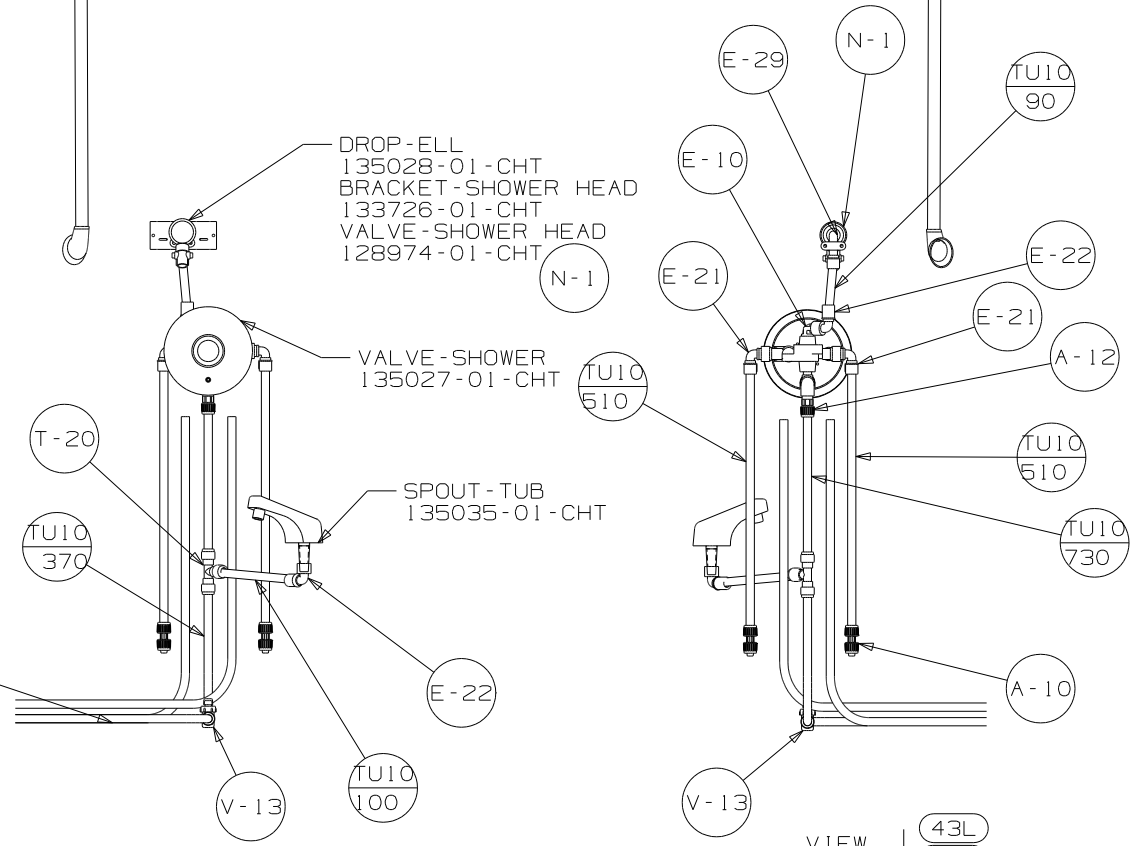
DROP-ELL
135028-01-CHT
BRACKET-SHOWER HEAD
133726-01-CHT
VALVE-SHOWER HEAD
128974-01-CHT

VALVE-SHOWER
135027-01-CHT

SPOUT-TUB
135035-01-CHT

TO PUMP PANEL
(DRAIN)

VIEW B (43L)
(43H)

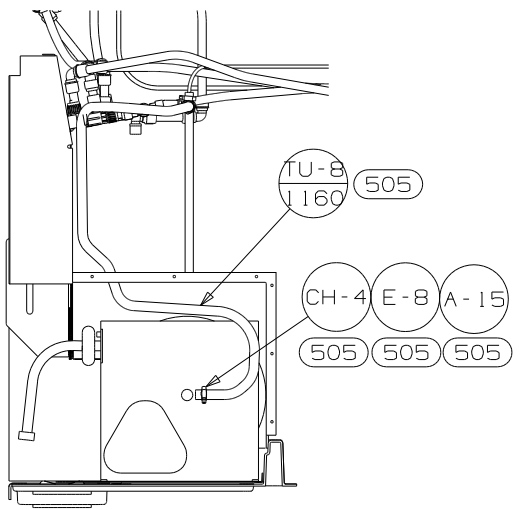
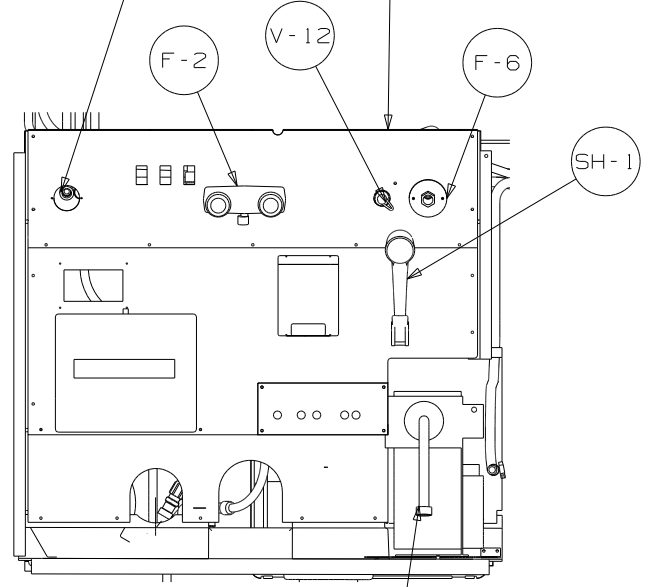


VIEW J (43L)
(43H)

FIRST USED	03 Q38K
TITLE	DO NOT SCALE DRAWING
TITLE	WATER SYSTEM INSTL
SHEET 3	PART NO 143777

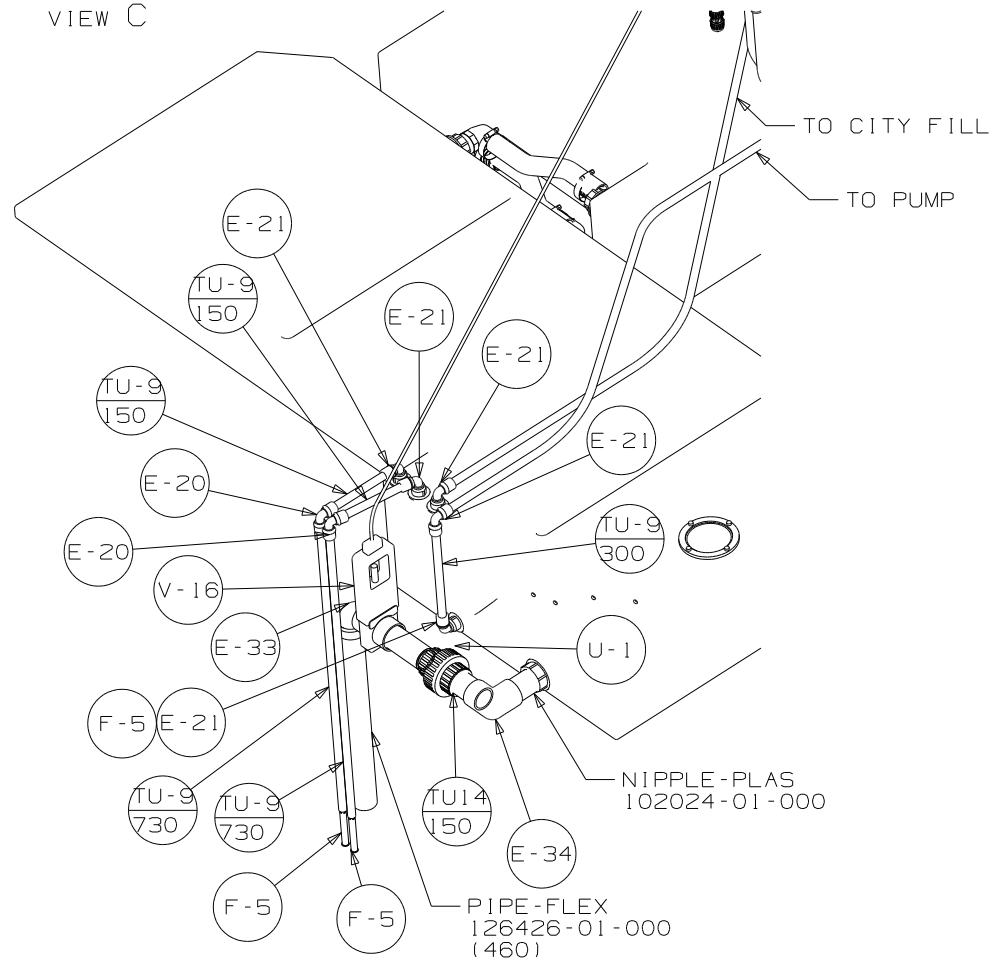
INLET-WATER, FLUSHING SYSTEM
125697-05-000

SERVICE CENTER INSTL
129588-01-000

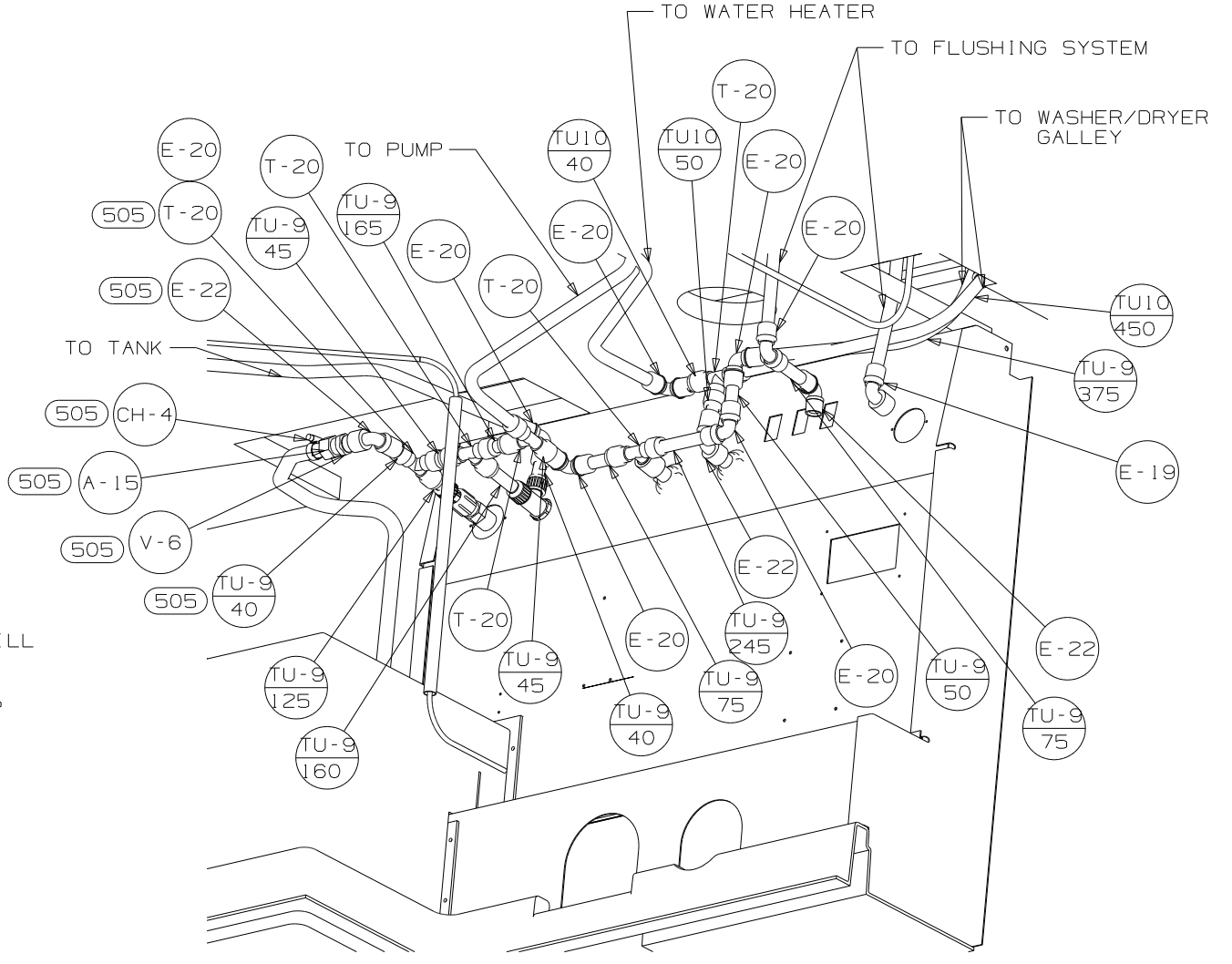


- 505 HOSE REEL 142675-01-CHT
- ANGLE 136002-27-CHT
- BRACKET 142667-01-CHT
- RIVET 118626-01-CHT (6)

VIEW C



VIEW D

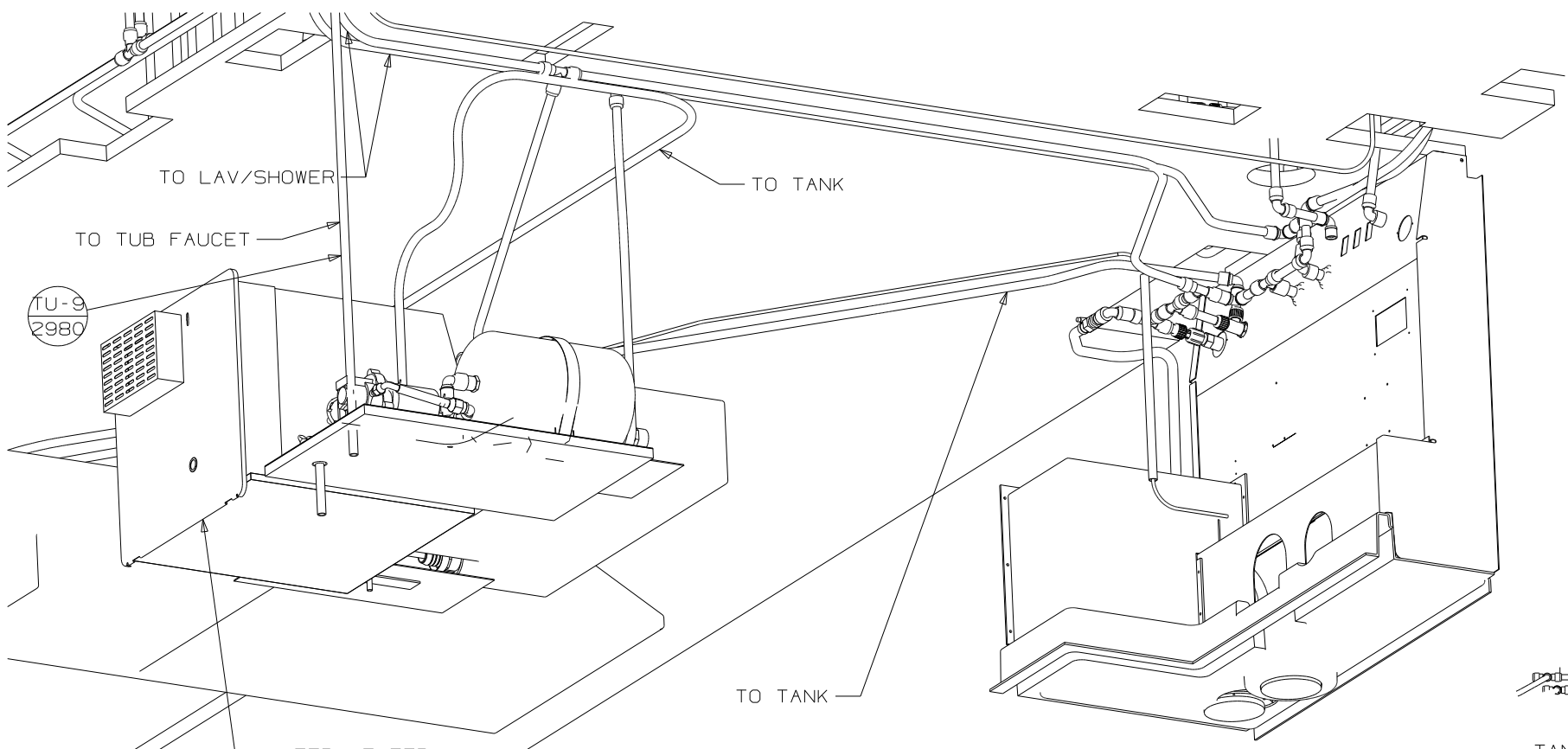


VIEW E

NIPPLE-PLAS 102024-01-000

PIPE-FLEX 126426-01-000 (460)

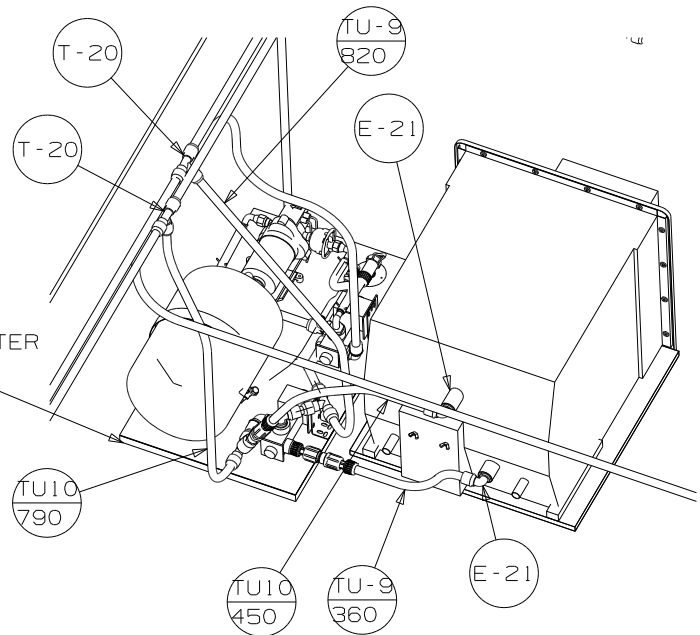
FIRST USED	03 Q38K
TITLE	DO NOT SCALE DRAWING
	WATER SYSTEM INSTL
SHEET 4	PART NO 143777



WATER HEATER
51391-05-000
DOOR
125420-01-CHT
PLATFORM
132532-01-000

VIEW F

PANEL ASM-WATER CENTER
138271-01-XXX



VIEW G (530)

BRACKET-HOLDING TANK
140163-01-CHT
SCREW
G39-10-08U (6)

TANK-WATER, 57 GAL
128784-03-000

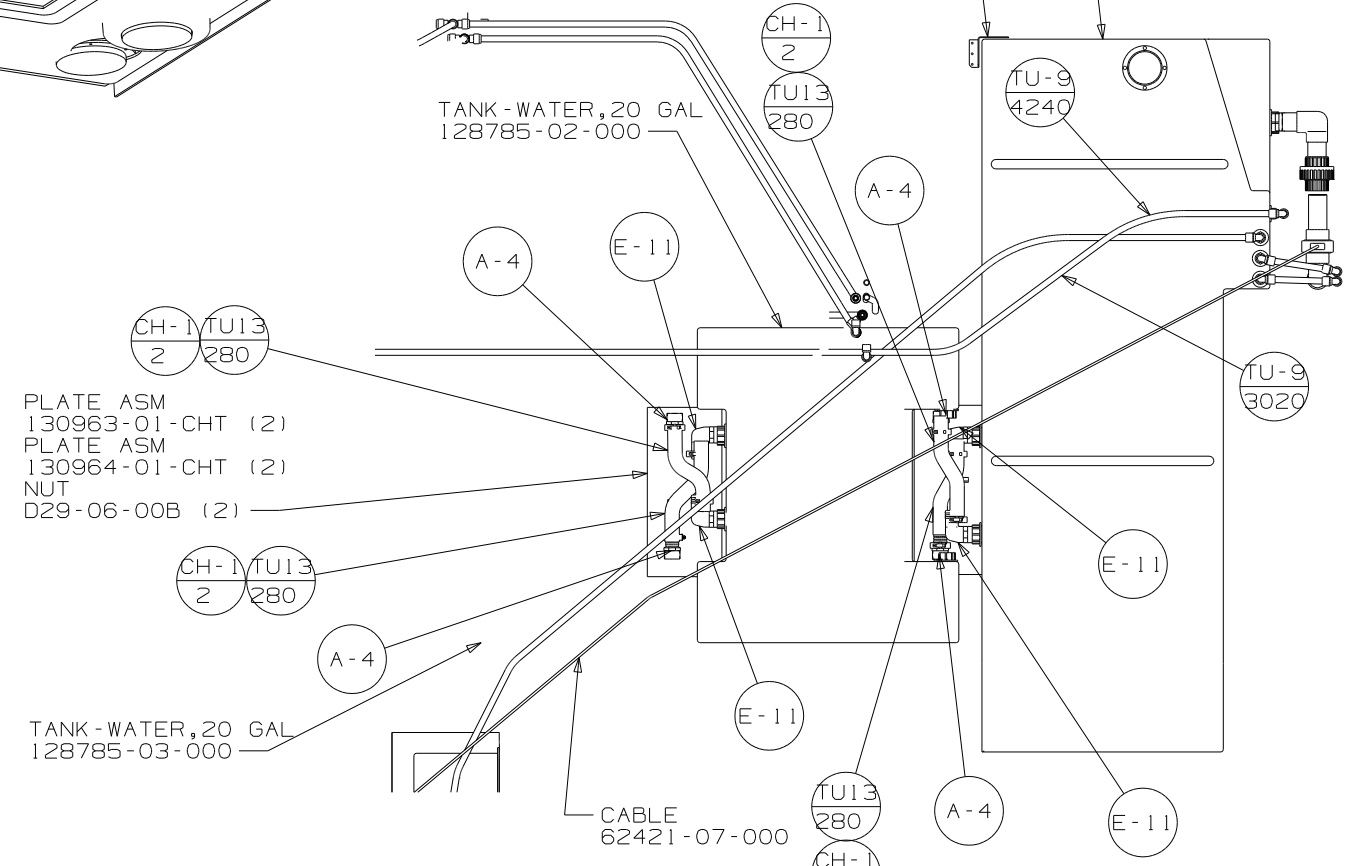


PLATE ASM
130963-01-CHT (2)
PLATE ASM
130964-01-CHT (2)
NUT
D29-06-00B (2)

VIEW H

FIRST USED	03 Q38K
TITLE	DO NOT SCALE DRAWING
TITLE	WATER SYSTEM INSTL
SHEET 5	PART NO 143777