

FRONT  
OF  
COACH

- (1B1) CODES/STANDARDS-USA
- (265) CODES/STDS-CSA/CMVSS
- (54E) WASHER/DRYER
- (21M) WASHER/DRYER PREP

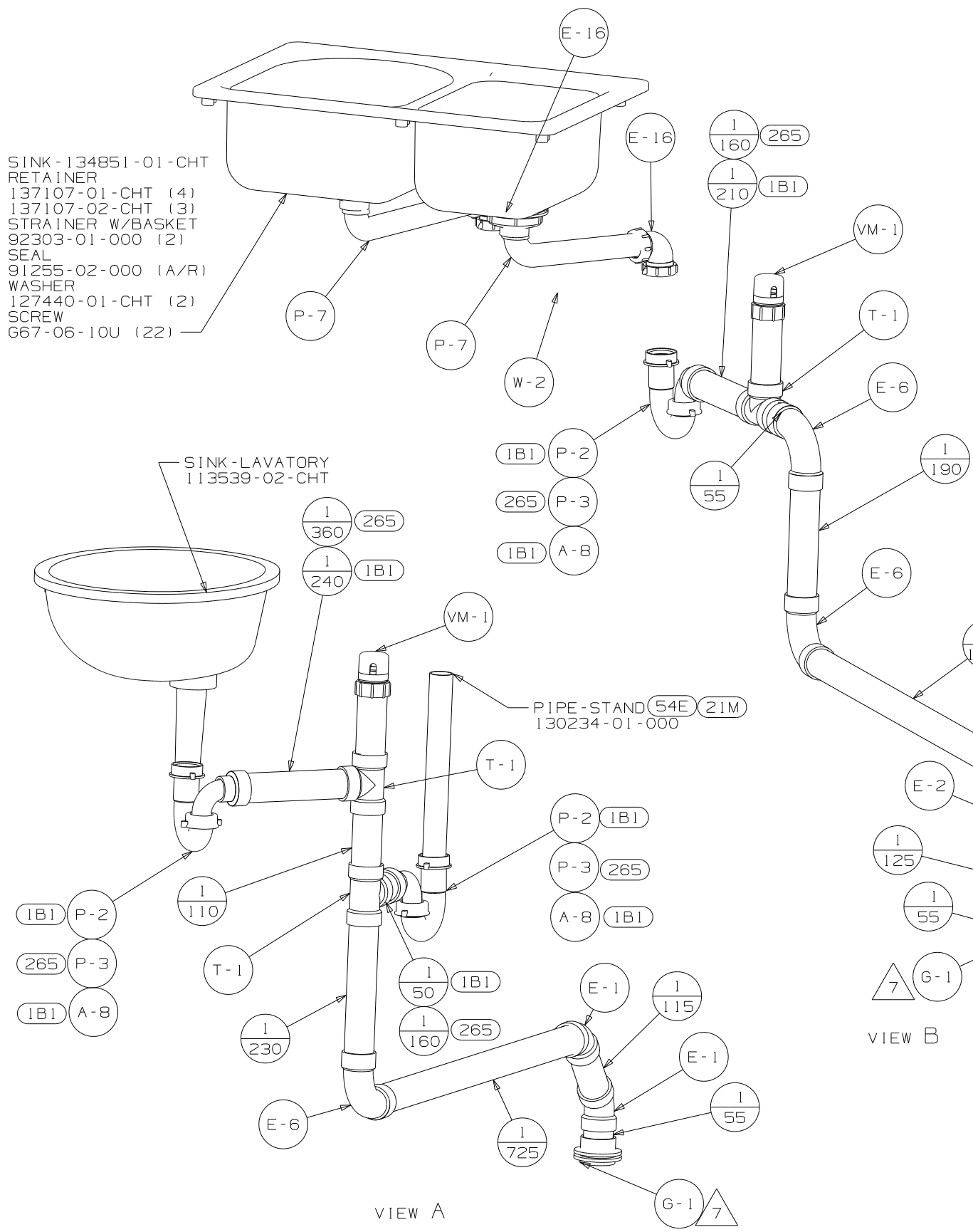
- NOTES:
- 7 SECURE VENT TUBES TO FLOOR WITH BRACKET 95061-01-000 (2) CALMP 62401-02-000, SCREW G67-10-12B (2).
  - 6 VENT PIPE MUST PROECT 51 MIN AND 64 MAX ABOVE ROOF FOR PROPER FIT AND FUNCTION.
  5. SEAL AROUND SHOWER WITH SILICONE.
  4. ALL EXTERIOR OPENINGS AROUND PIPE TO BE SEALED WITH 100744-01-000.
  3. ALL PIPE AND FITTINGS TO BE ASSEMBLED WITH SOLVENT 4020-01-000.
  2. SLOPE OF TRAP ARM MUST BE 6 PER 305 mm.
  1. SLOPE OF HORIZONTAL PIPING TO BE MIN 3 PER 305 mm.

<b>WINNEBAGO</b>		COPYRIGHT 2002 WINNEBAGO INDUSTRIES, INC.	
DFTR	ORIG. DATE	ALL DIMENSIONS ARE IN MILLIMETERS	
CHKR		FIRST USED	
P.E.		03 Q36C	
M.E.		UNSPECIFIED TOLERANCES ARE:	
DSNR		MATERIAL:	
		WHOLE DIM (X) :	7
		ONE-PLACE (X.X) :	
		TWO-PLACE (X.XX) :	
		ANGLE :	
THIRD ANGLE PROJECTION		DO NOT SCALE DRAWING	
		TITLE: DRAINAGE SYSTEM INSTL	
SHEET 1 OF 3		PART NO 143682	

(X-X)  
FOR  
DRAINAGE  
CALLOUTS  
SEE DWG NO  
116229-01-000

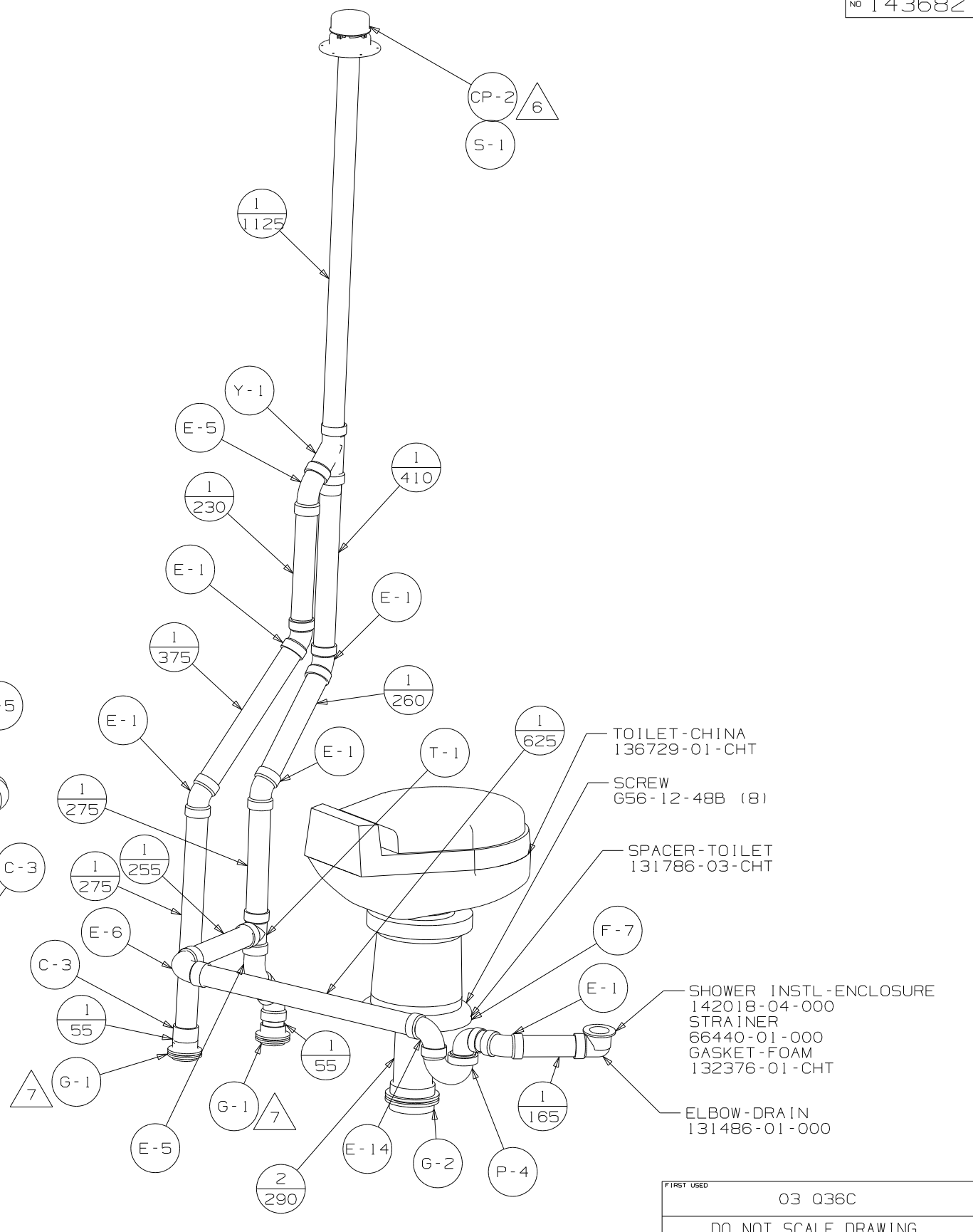
SINK-134851-01-CHT  
 RETAINER  
 137107-01-CHT (4)  
 137107-02-CHT (3)  
 STRAINER W/BASKET  
 92303-01-000 (2)  
 SEAL  
 91255-02-000 (A/R)  
 WASHER  
 127440-01-CHT (2)  
 SCREW  
 667-06-10U (22)

SINK-LAVATORY  
 113539-02-CHT



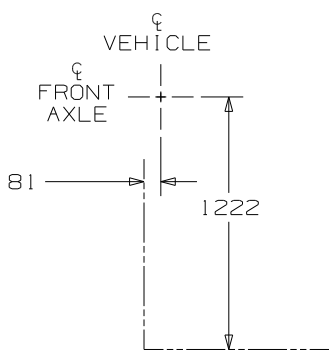
VIEW A

VIEW B

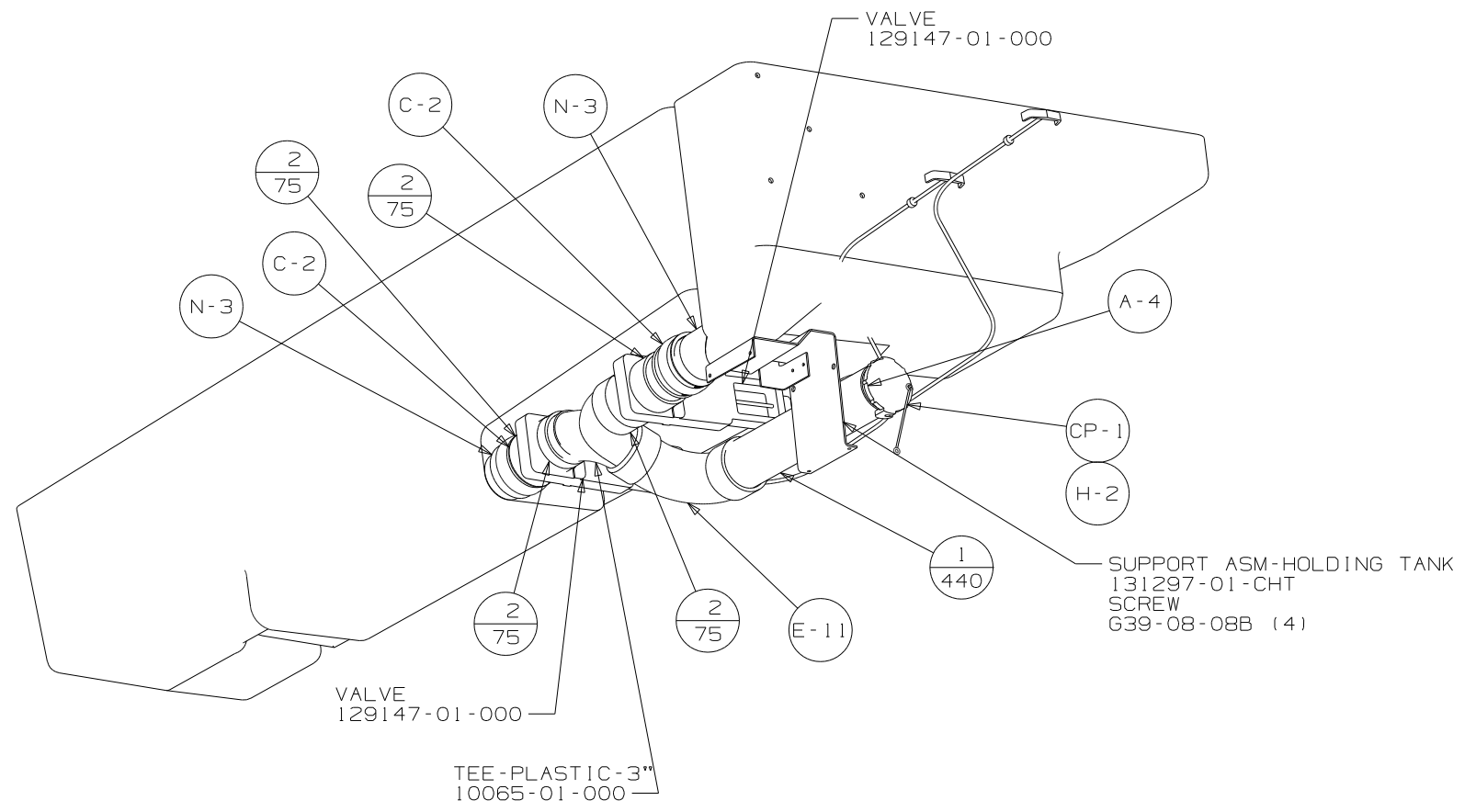
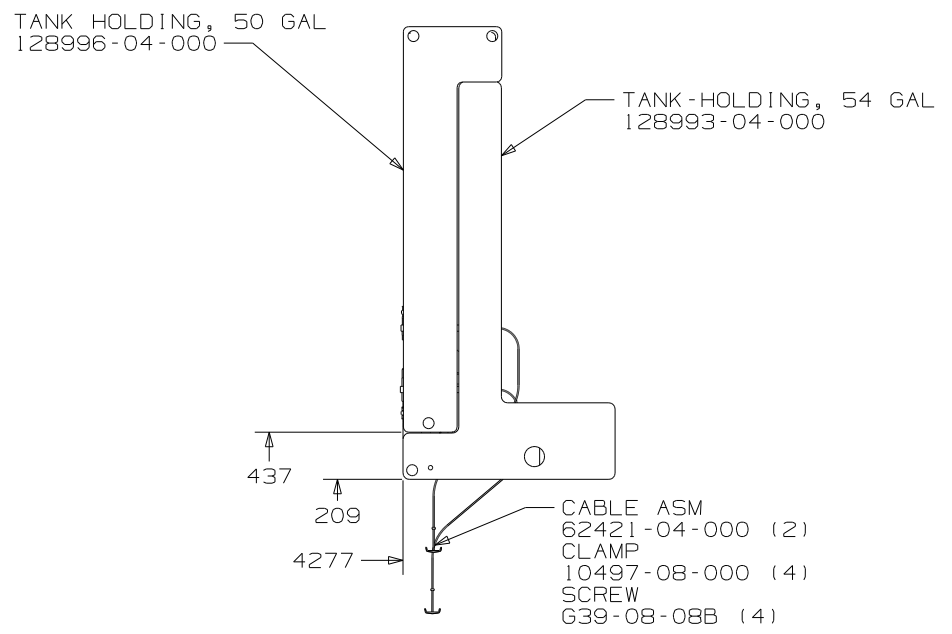


VIEW C

FIRST USED	03 Q36C
DO NOT SCALE DRAWING	
TITLE	DRAINAGE SYSTEM INSTL
SHEET 2	PART NO 143682

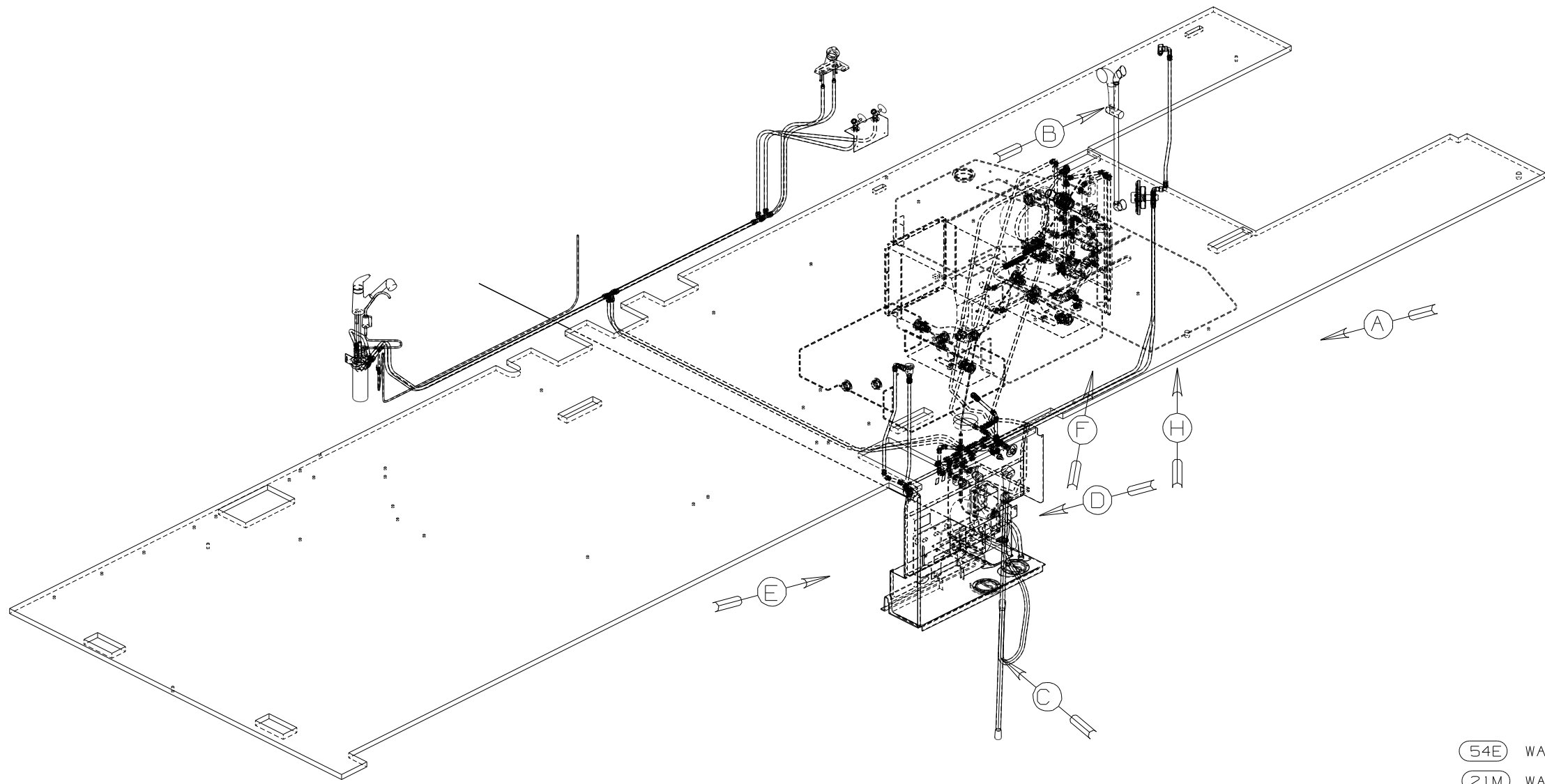


VIEW D



VIEW E

FIRST USED	03 Q36C
TITLE	DO NOT SCALE DRAWING DRAINAGE SYSTEM INSTL
SHEET 3	PART NO 143682



- (54E) WASHER/DRYER
- (21M) WASHER/DRYER PREP
- (43H) SHOWER HEAD-HAND HELD
- (53Q) WINTERIZING KIT

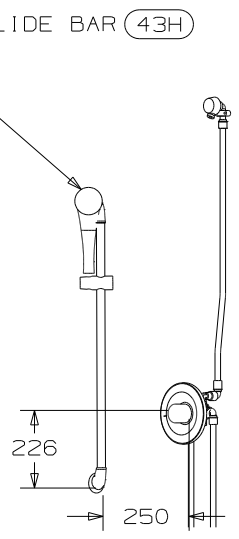
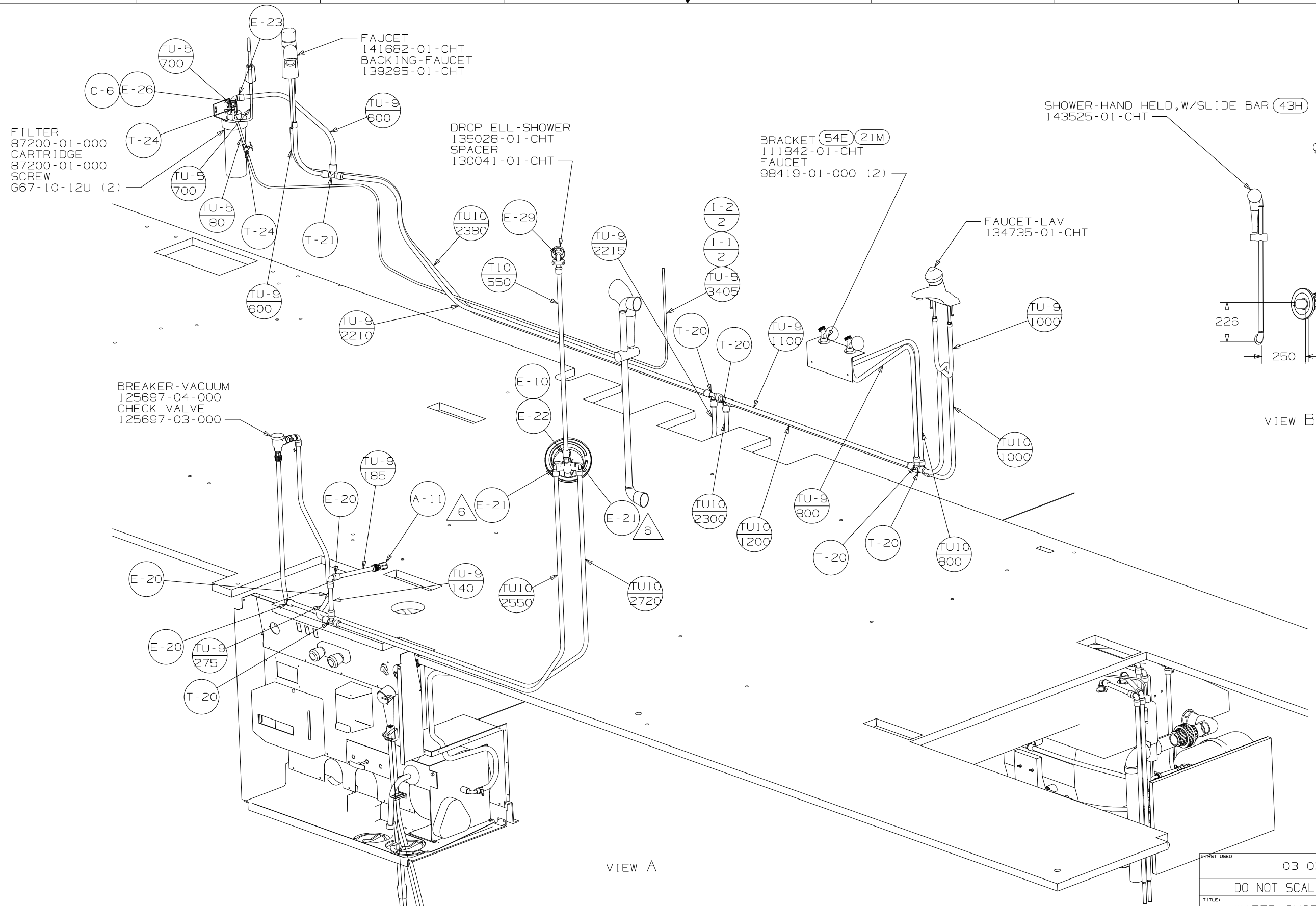
- △7 ADD TEFLON TAPE 10405-03-000.
- △6 ADD TEFLON TAPE 10405-01-000.
- △5 ADD TEFLON TAPE 10405-02-000.
- △4 FLUSHING SYSTEM REQUIRES 125697-06-000 INSTRUCTION SHEET.

3. ALL TUBING TO BE SECURED AT 1200 INTERVALS MAXIMUM WITH CLAMP 10495-01-000 OR CLIP 9151-01-000 AND SCREW 667-10-12B.
2. TUBING TO BE INSTALLED WITH SUFFICIENT SLOPE TO PROVIDE DRAINAGE TO NEAREST VALVE.
1. PLASTIC FITTINGS TO BE SEALED WITH SEALANT 84456-01-000.

NOTES:

<b>WINNEBAGO</b>		COPYRIGHT 2003 WINNEBAGO INDUSTRIES, INC.	
DFT	ORIG. DATE	ALL DIMENSIONS ARE IN MILLIMETERS	
CHKR		FIRST USED	
P.E.		03 Q36C	
M.E.		UNSPECIFIED TOLERANCES ARE:	
DSNR		MATERIAL:	
		WHOLE DIM (X)	: 7
		ONE-PLACE (X.X)	:
		TWO-PLACE (X.XX)	:
		ANGLE	:
THIRD ANGLE PROJECTION		DO NOT SCALE DRAWING	
		TITLE: WATER SYSTEM INSTL	
SHEET 1 OF 1		PART NO 143695	
REF: 137719 1 03/17/03			

(X-X)  
FOR  
WATER  
CALLOUTS  
SEE DWG NO  
116230-01-000

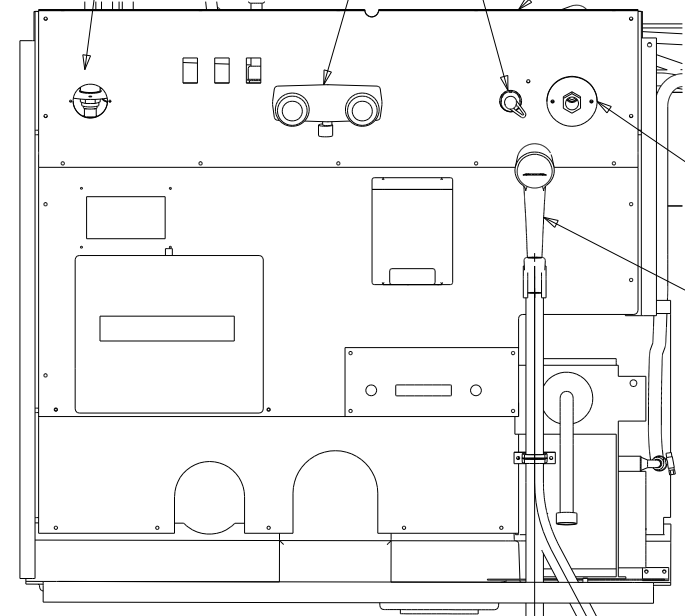


VIEW A

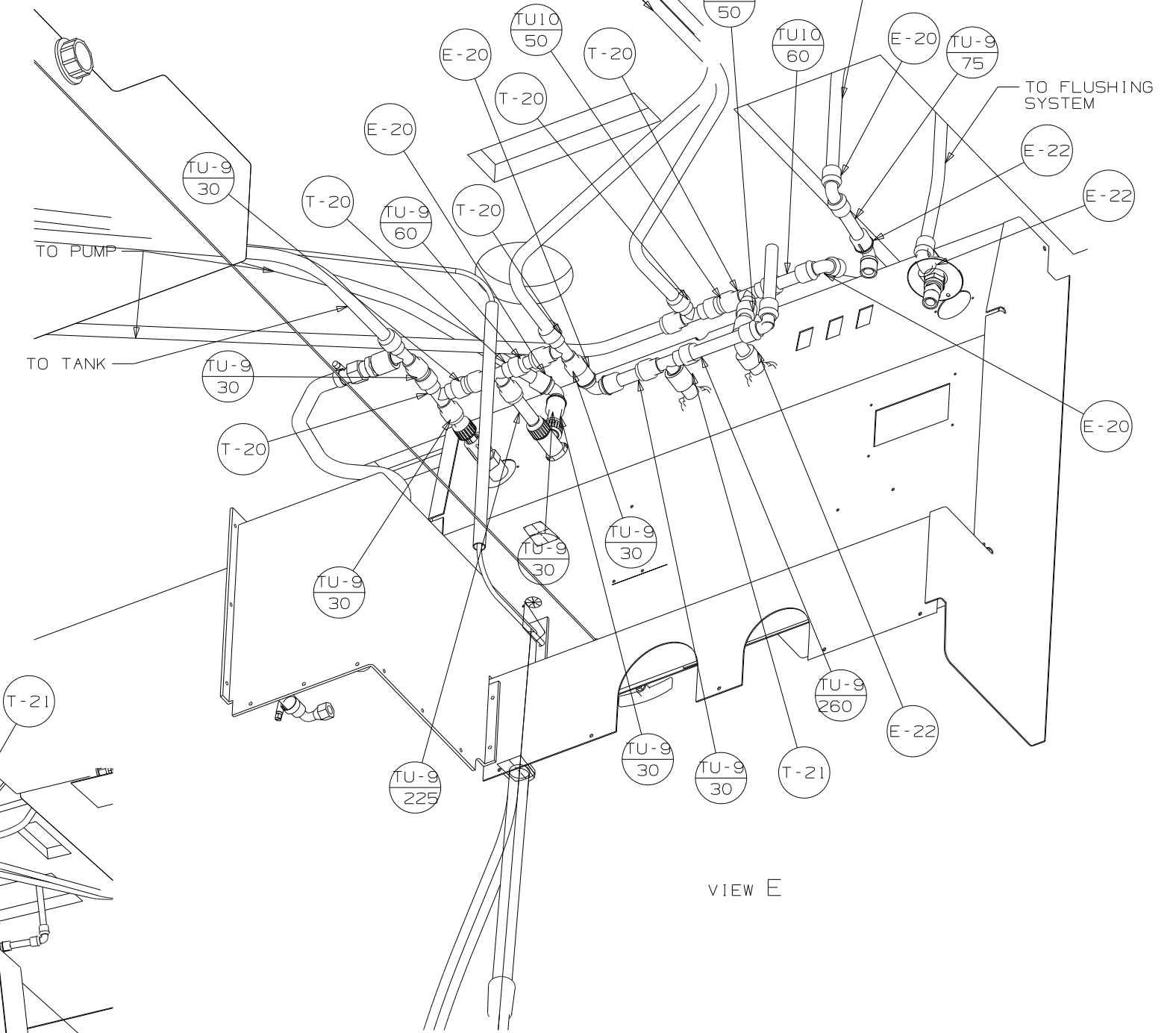
FIRST USED	03 Q36C
TITLE	DO NOT SCALE DRAWING
	WATER SYSTEM INSTL
SHEET 2	PART NO 143695

INLET-WATER, FLUSHING SYSTEM  
125697-05-000

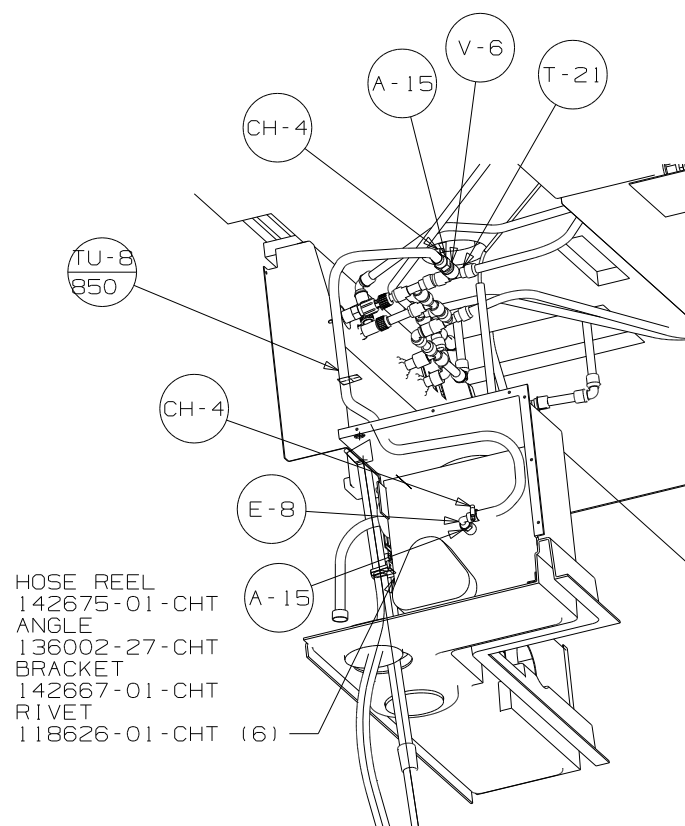
SERVICE CENTER INSTL  
129588-01-000



VIEW C



VIEW E

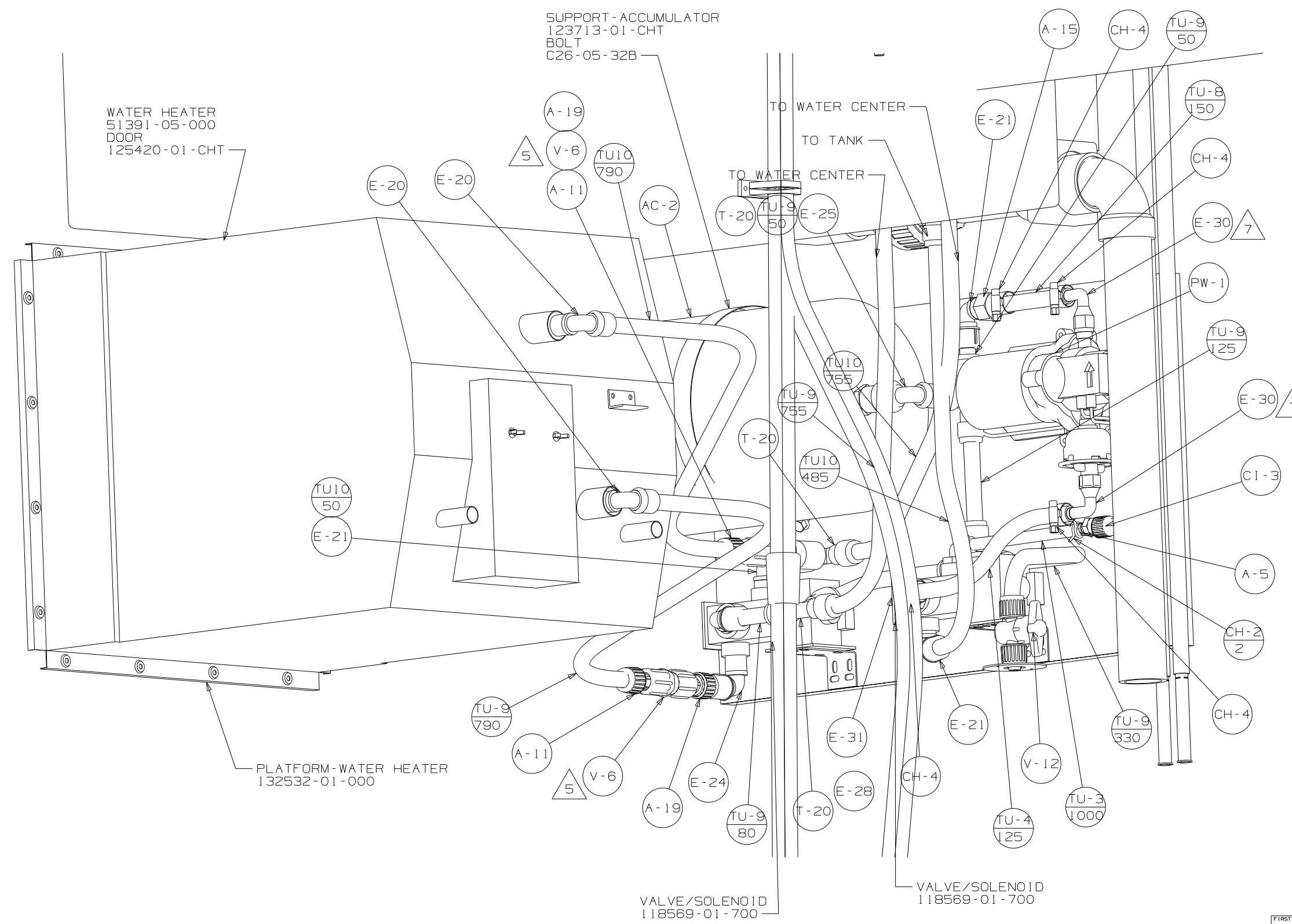


VIEW D

- HOSE REEL  
142675-01-CHT
- ANGLE  
136002-27-CHT
- BRACKET  
142667-01-CHT
- RIVET  
118626-01-CHT (6)

505

FIRST USED	03 Q36C
TITLE	DO NOT SCALE DRAWING
SHEET 3	PART NO 143695
	1 03/17/03



WATER HEATER  
51391-05-000  
DOOR  
125420-01-CHT

SUPPORT-ACCUMULATOR  
123713-01-CHT  
BOLT  
C26-05-32B

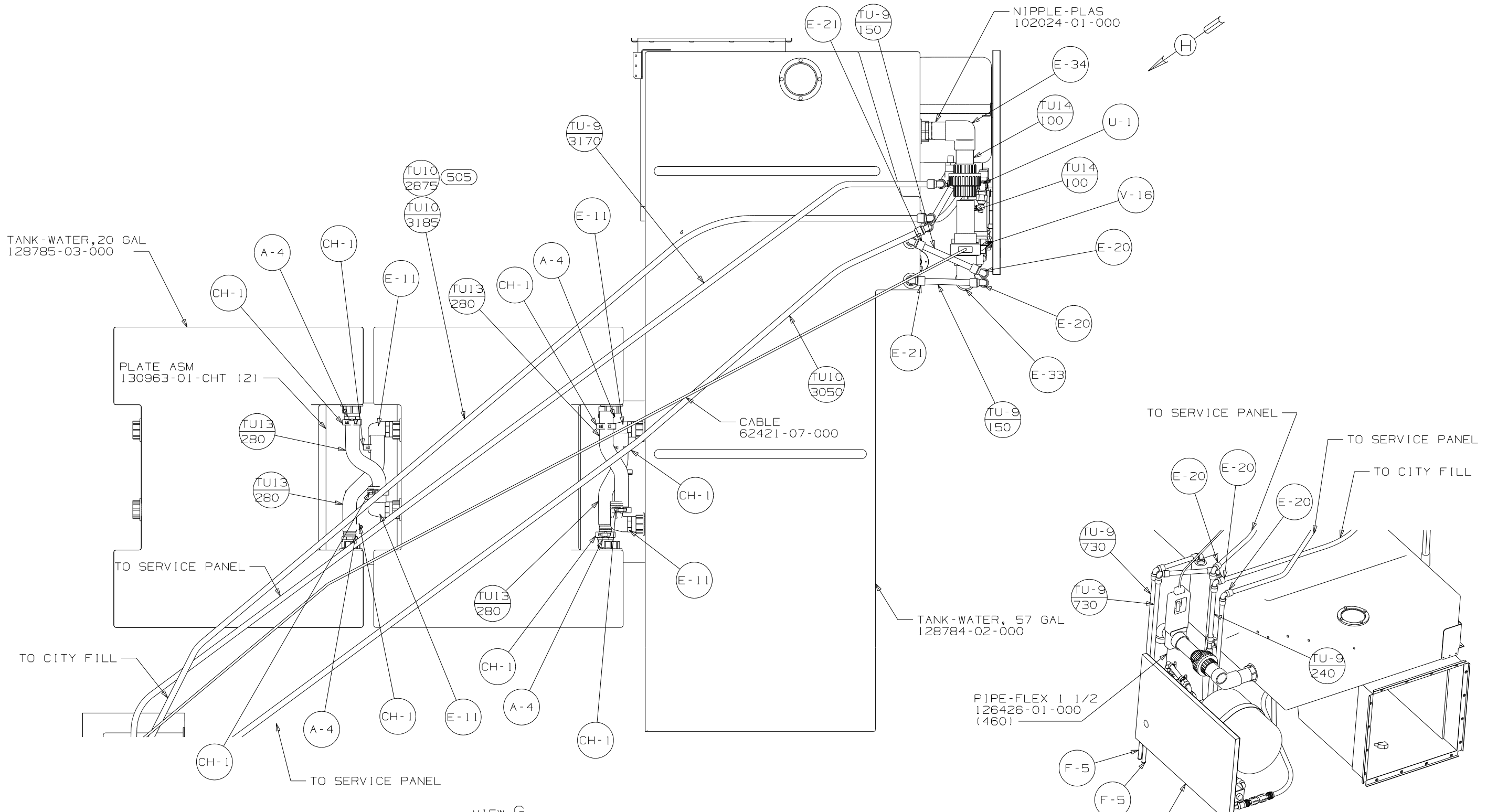
PLATFORM-WATER HEATER  
132532-01-000

VIEW F (530)

VALVE/SOLENOID  
118569-01-700

VALVE/SOLENOID  
118569-01-700

FIRST USED	03 Q36C
TITLE	DO NOT SCALE DRAWING
TITLE	WATER SYSTEM INSTL
SHEET 4	PART NO 143695



VIEW G

VIEW H

FIRST USED	03 Q36C
TITLE	DO NOT SCALE DRAWING
TITLE	WATER SYSTEM INSTL
SHEET 5	PART NO 143695