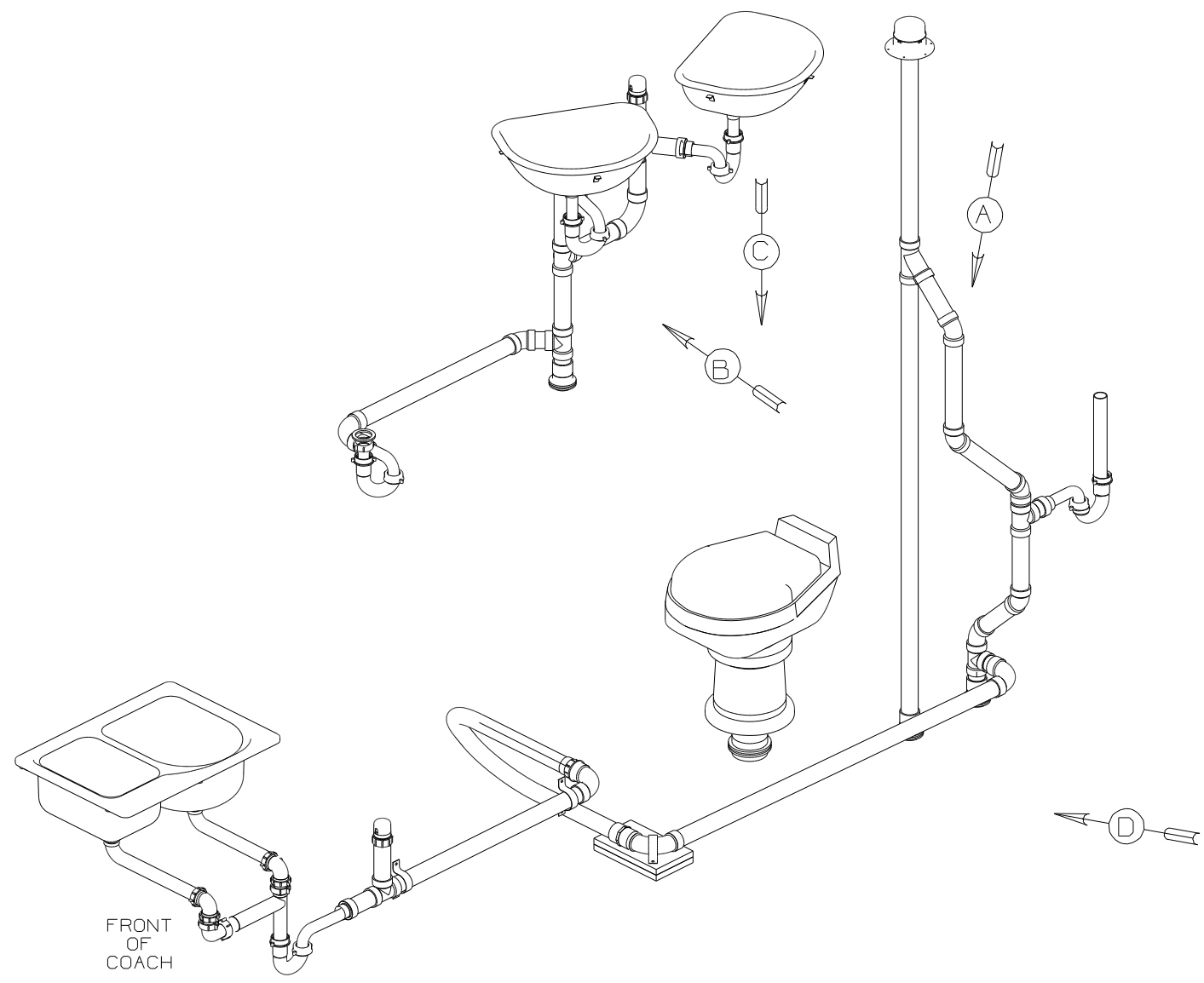


DWG NO	-----
142340-01	(WDL)
142340-02	(ITA)

RELEASE	REV DATE	DWG NO	142340
REV ZONE	REVISION RECORD	DATE	DFTR-ORIG



- (WDL) WINNEBAGO DELUXE UPGRADE
- (ITA) ITASCA ONLY
- (1B1) CODES/STANDARDS-USA
- (265) CODES/STDS-CSA/CMVSS
- (54E) WASHER/DRYER
- (21M) WASHER/DRYER PREP
- (43M) TOILET PORCELAIN-ELONGATED
- (43Q) TOILET-PORCELAIN
- (54U) FLOOR/BATH-CERAMIC TILE

- 8 VENT PIPE MUST PROJECT 51 MIN AND 64 MAX. ABOVE ROOF FOR PROPER FIT AND FUNCTION.
7. SEE DWG 61607-01-000 FOR INSTL OF GROMMETS.
6. SEAL ALL AROUND SHOWER WITH SILICONE.
- 5 SECURE VENT TUBES TO FLOOR WITH BRACKET.
4. ALL EXTERIOR OPENINGS AROUND PIPE TO BE SEALED WITH 110744-01-000.
3. ALL PIPE AND FITTINGS TO BE ASSEMBLED WITH SOLVENT 4020-01-000.
2. SLOPE OF TRAP ARM MUST BE 6 PER 305.
1. SLOPE OF HORIZONTAL PIPING TO BE 6 PER 305 mm.

NOTES:

(X-X)
FOR DRAINAGE CALLOUTS SEE DWG NO 116229-01-000

WINNEBAGO		COPYRIGHT 2002 WINNEBAGO INDUSTRIES, INC.	
DFTR	ORIG. DATE	ALL DIMENSIONS ARE IN MILLIMETERS	
CHKR		FIRST USED	
P.E.		03 P39WD	
M.E.		UNSPECIFIED TOLERANCES ARE:	
DSNR		MATERIAL:	
		WHOLE DIM (X) :	3
		ONE-PLACE (X.X) :	
		TWO-PLACE (X.XX) :	
		ANGLE :	
		THIRD ANGLE PROJECTION	
DO NOT SCALE DRAWING			
TITLE: DRAINAGE SYSTEM INSTL			
SHEET 1 OF 3	PART NO	142340	
REF:141647 1 11/26/02			

- SINK-GALLEY, DBL
134851-01-CHT (USA/CAN)
- STRAINER
92303-01-000 (2)
- SEAL
91255-02-000 (A/R)
- WASHER-RUBBER
127440-02-CHT (2)
- ANGLE-FORMED
140002-01-CHT (10)
- SCREW
G67-10-08U (8)

- SINK-LAVATORY
142285-01-CHT
- TAILPIECE
106116-01-CHT
- WDL 106116-01-CHT
- ITA 141491-01-CHT
- GASKET
106116-02-CHT
- SCREW
G67-10-08U (6)
- ANGLE
131914-06-CHT (6)

- SINK-LAVATORY
142285-01-CHT
- TAILPIECE
106116-01-CHT
- WDL 106116-01-CHT
- ITA 141491-01-CHT
- GASKET
106116-02-CHT
- SCREW
G67-10-08U (6)
- ANGLE
131914-06-CHT (6)

- STRAP-CONDUIT, 2"
8406-01-000 (2)

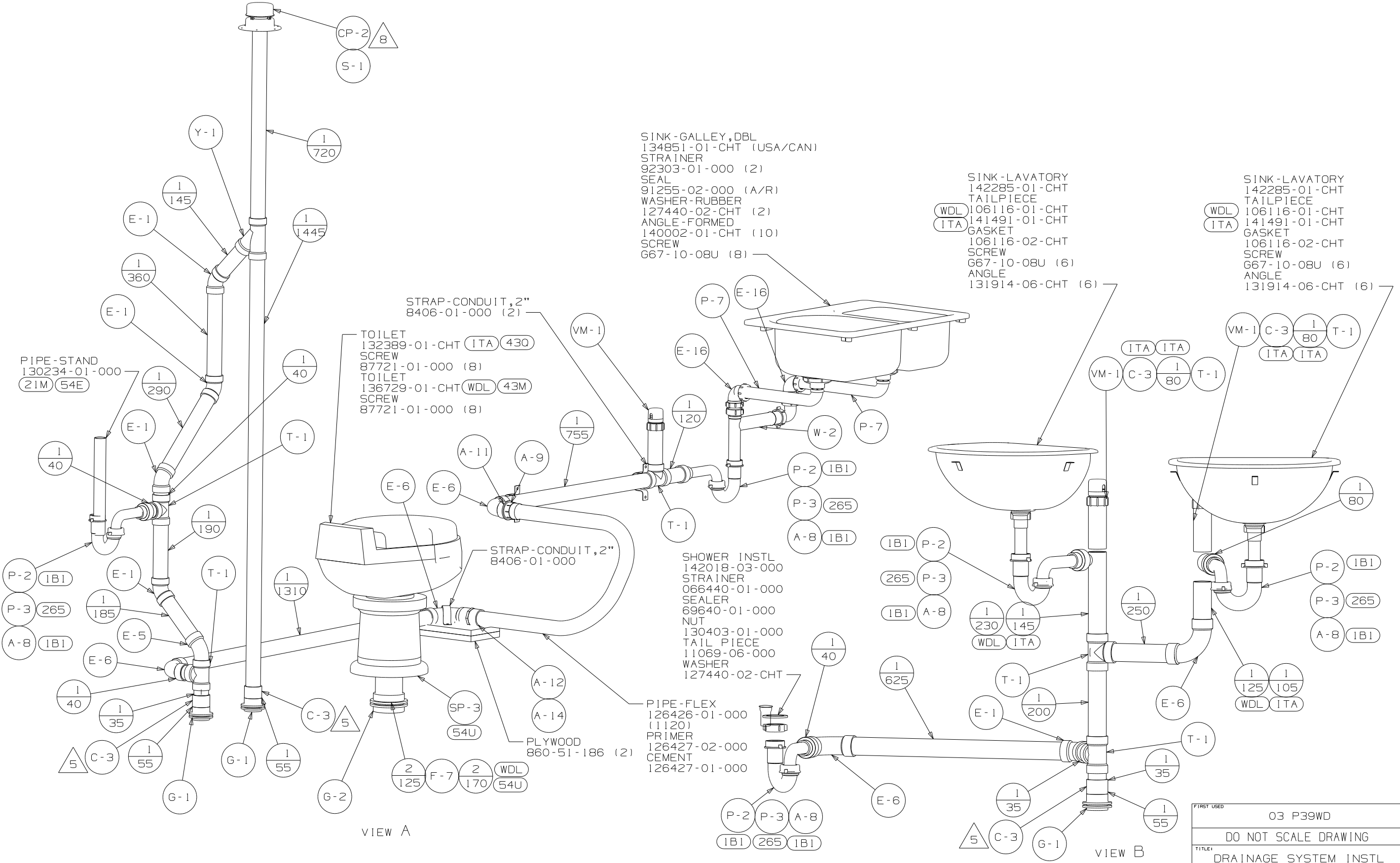
- TOILET
132389-01-CHT (ITA 43Q)
- SCREW
87721-01-000 (8)
- TOILET
136729-01-CHT (WDL 43M)
- SCREW
87721-01-000 (8)

- SHOWER INSTL
142018-03-000
- STRAINER
066440-01-000
- SEALER
69640-01-000
- NUT
130403-01-000
- TAIL PIECE
11069-06-000
- WASHER
127440-02-CHT

- PIPE-FLEX
126426-01-000 (1120)
- PRIMER
126427-02-000
- CEMENT
126427-01-000

- PLYWOOD
860-51-186 (2)

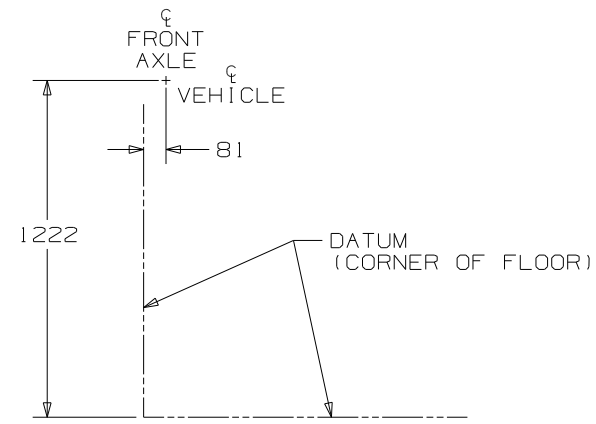
- PIPE-STAND
130234-01-000 (21M 54E)



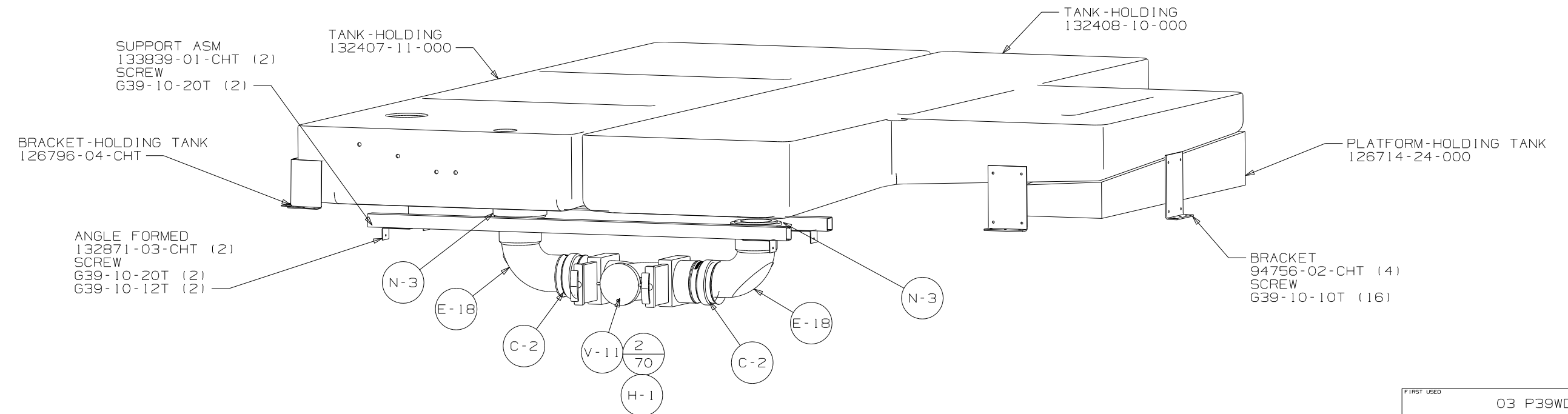
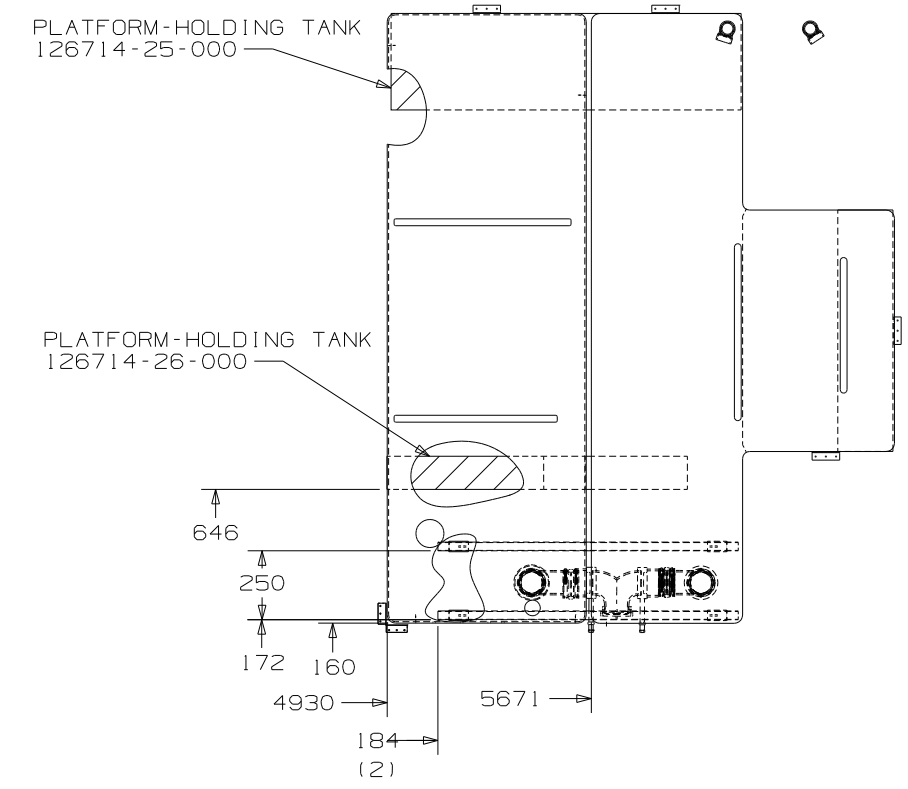
VIEW A

VIEW B

FIRST USED	03 P39WD
TITLE	DO NOT SCALE DRAWING
SHEET 2	PART NO 142340
	1 11/26/02



VIEW C

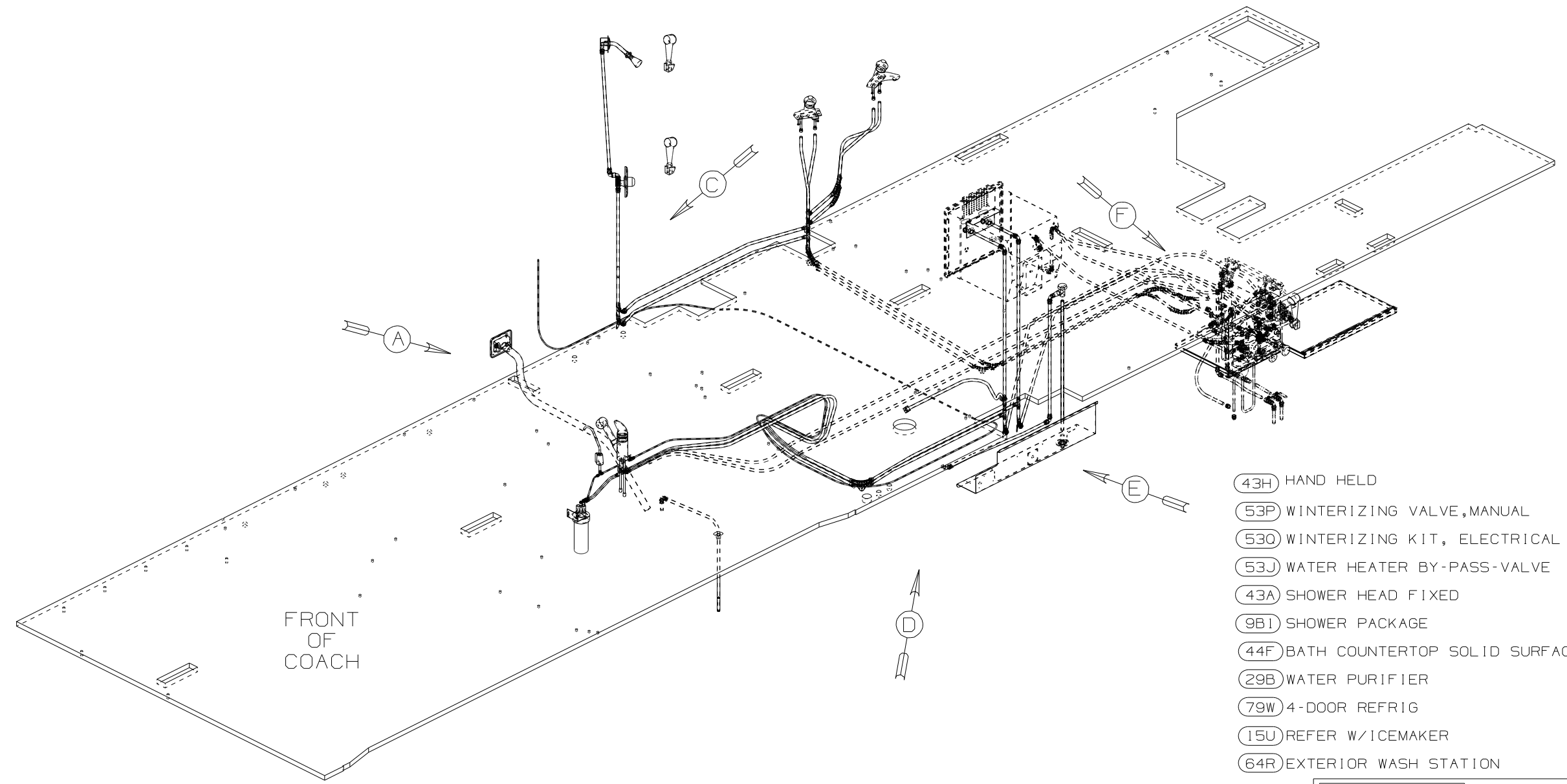


VIEW D

FIRST USED	03 P39WD
TITLE	DO NOT SCALE DRAWING
	DRAINAGE SYSTEM INSTL
SHEET 3	PART NO 142340

DWG NO	----
142339-01	(WDL)
142339-02	(ITA)

RELEASE	REV DATE	DWG NO
A		142339
REV ZONE	REVISION RECORD	DATE DFR-ORIG

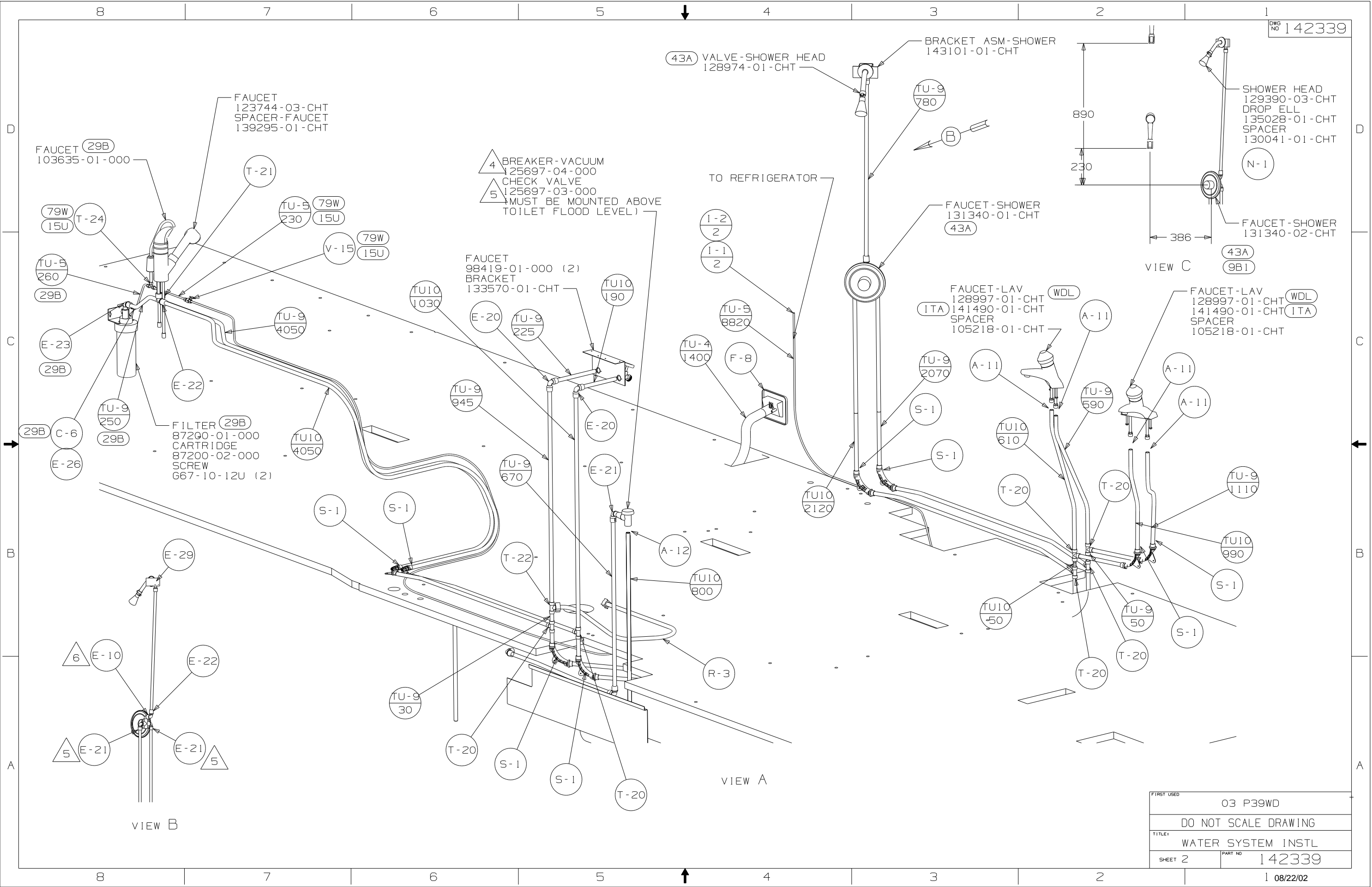


- (43H) HAND HELD
- (53P) WINTERIZING VALVE, MANUAL
- (530) WINTERIZING KIT, ELECTRICAL
- (53J) WATER HEATER BY-PASS-VALVE
- (43A) SHOWER HEAD FIXED
- (9B1) SHOWER PACKAGE
- (44F) BATH COUNTERTOP SOLID SURFACE
- (29B) WATER PURIFIER
- (79W) 4-DOOR REFRIG
- (15U) REFER W/ICEMAKER
- (64R) EXTERIOR WASH STATION

- NOTES:
- 6. ADD TEFLON TAPE 10405-01-000 TO FITTING.
 - 5. ADD TEFLON TAPE 10405-02-000 TO FITTING.
 - 4. FLUSHING SYSTEM REQUIRES 125697-06-000 INSTRUCTION SHEET.
 - 3. ALL TUBING TO BE SECURED AT 1200 INTERVALS MAXIMUM WITH CLAMP 10495-01-000 OR CLIP 9151-01-000 AND SCREW G67-10-12B.
 - 2. TUBING TO BE INSTALLED WITH SUFFICIENT SLOPE TO PROVIDE DRAINAGE TO NEAREST VALVE.
 - 1. PLASTIC FITTINGS TO BE SEALED WITH SEALANT 84456-01-000

(X-X)
FOR WATER CALLOUTS SEE DWG NO. 116230-01-000

WINNEBAGO		COPYRIGHT 2002 WINNEBAGO INDUSTRIES, INC.	
DFTR	ORIG. DATE	ALL DIMENSIONS ARE IN MILLIMETERS	
CHKR		FIRST USED	
P.E.		03 P39WD	
M.E.		UNSPECIFIED TOLERANCES ARE:	
DSNR		MATERIAL:	
		WHOLE DIM (X) :	7
		ONE-PLACE (X.X) :	
		TWO-PLACE (X.XX) :	
		ANGLE :	
THIRD ANGLE PROJECTION		DO NOT SCALE DRAWING	
TITLE: WATER SYSTEM INSTL			
SHEET 1 OF 4		PART NO 142339	



FAUCET
123744-03-CHT
SPACER-FAUCET
139295-01-CHT

FAUCET (29B)
103635-01-000

4 BREAKER-VACUUM
25697-04-000
CHECK VALVE
125697-03-000
5 (MUST BE MOUNTED ABOVE
TOILET FLOOD LEVEL)

FAUCET
98419-01-000 (2)
BRACKET
133570-01-CHT

FILTER (29B)
87200-01-000
CARTRIDGE
87200-02-000
SCREW
667-10-12U (2)

FAUCET-LAV
128997-01-CHT
141490-01-CHT
SPACER
105218-01-CHT

FAUCET-LAV
128997-01-CHT
141490-01-CHT
SPACER
105218-01-CHT

BRACKET ASM-SHOWER
143101-01-CHT

(43A) VALVE-SHOWER HEAD
128974-01-CHT

VIEW C

TO REFRIGERATOR

1-2
2
1-1
2

TU-5
8820

TU-4
1400

(ITA)

(WDL)

(WDL)

(ITA)

(43A)
(9B1)

(A-11)

(A-11)

(A-11)

(A-11)

(S-1)

(S-1)

(S-1)

(S-1)

(S-1)

(S-1)

SHOWER HEAD
129390-03-CHT
DROP ELL
135028-01-CHT
SPACER
130041-01-CHT

(N-1)

(43A)
(9B1)

(ITA)

(WDL)

(ITA)

(TU-9)
1110

(TU-9)
990

(TU-9)
50

(TU-9)
50

(TU-9)
50

(TU-9)
50

(TU-9)
50

890

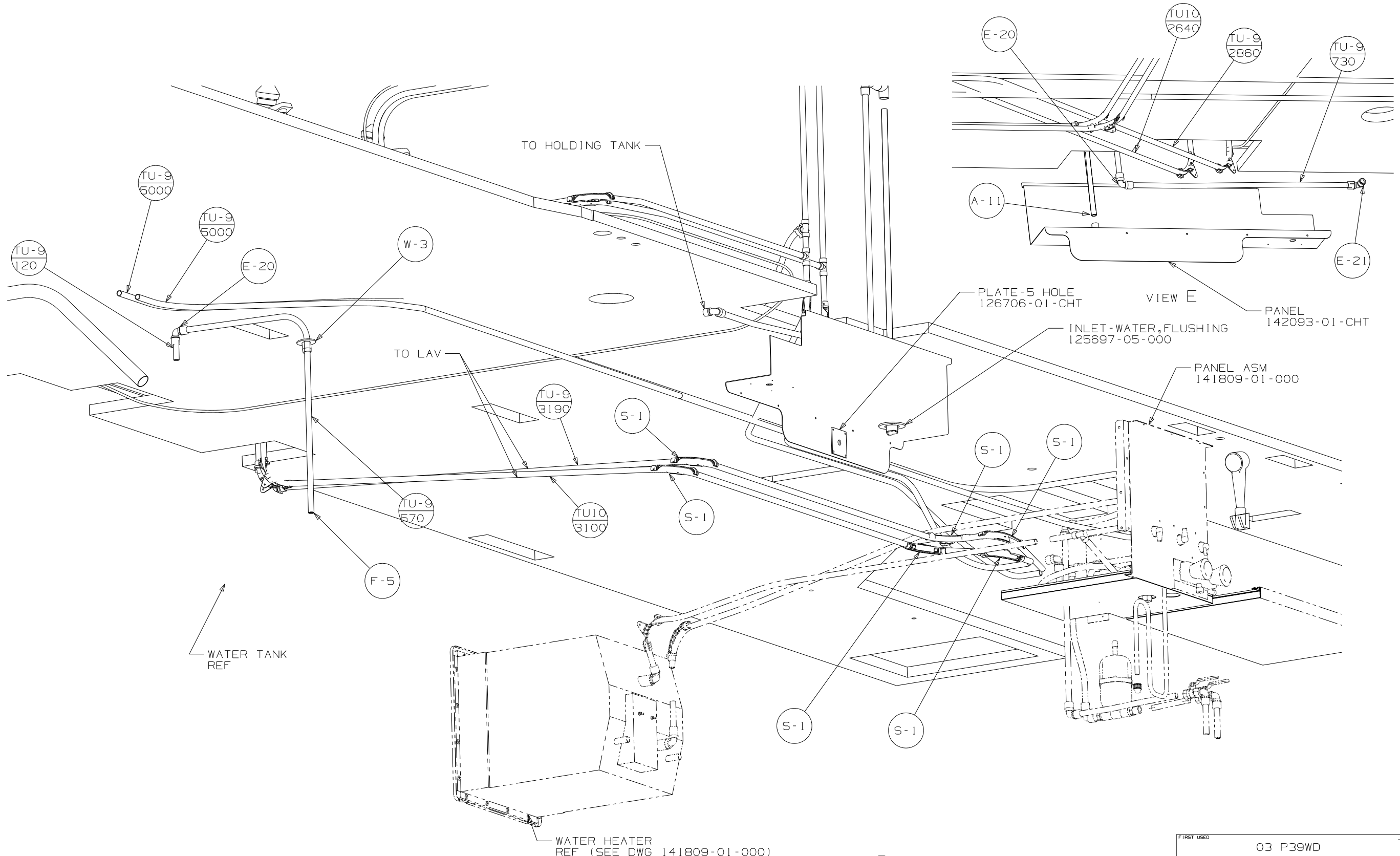
230

386

VIEW A

VIEW B

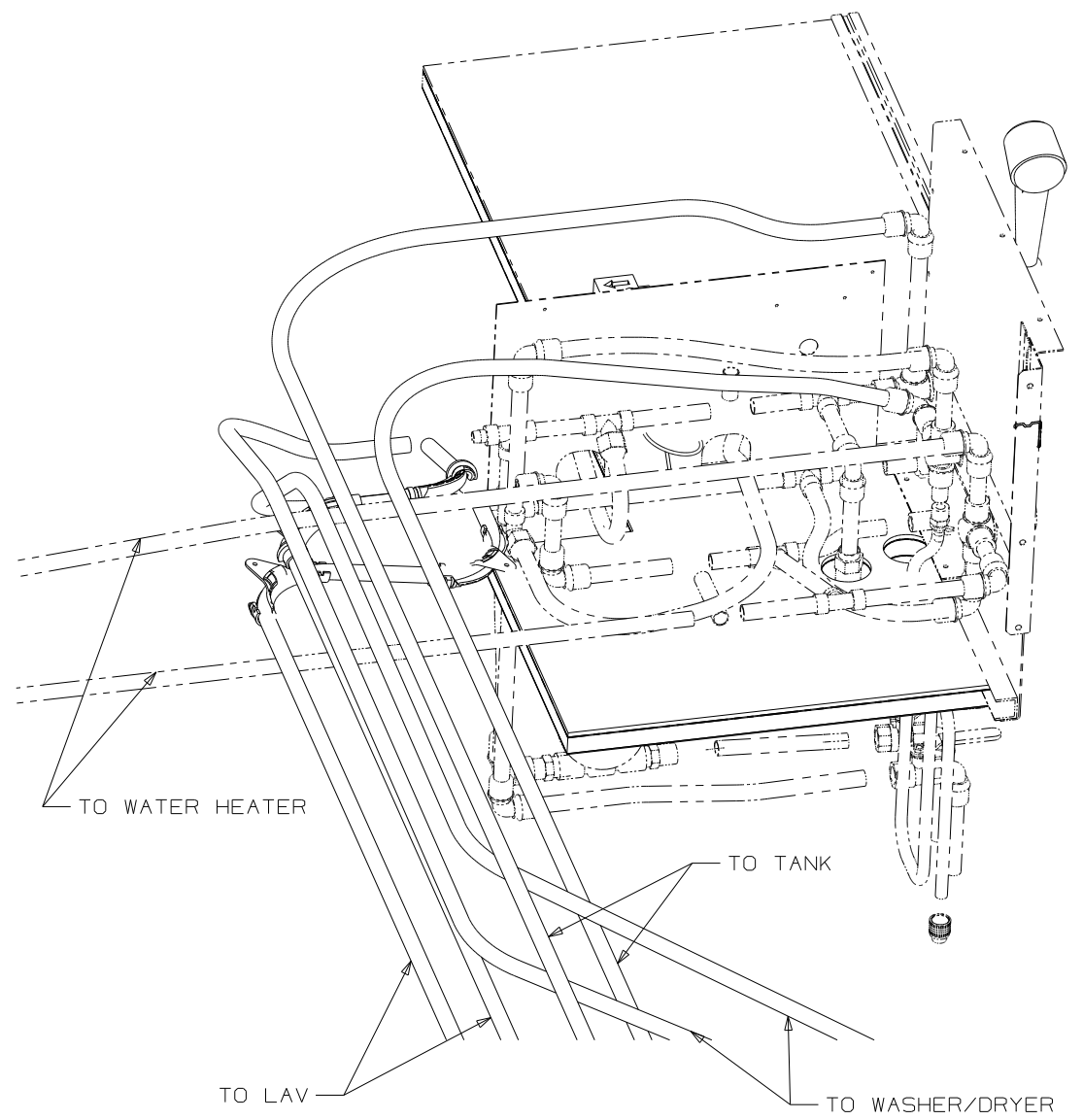
FIRST USED	03 P39WD
TITLE	DO NOT SCALE DRAWING
TITLE	WATER SYSTEM INSTL
SHEET 2	PART NO 142339



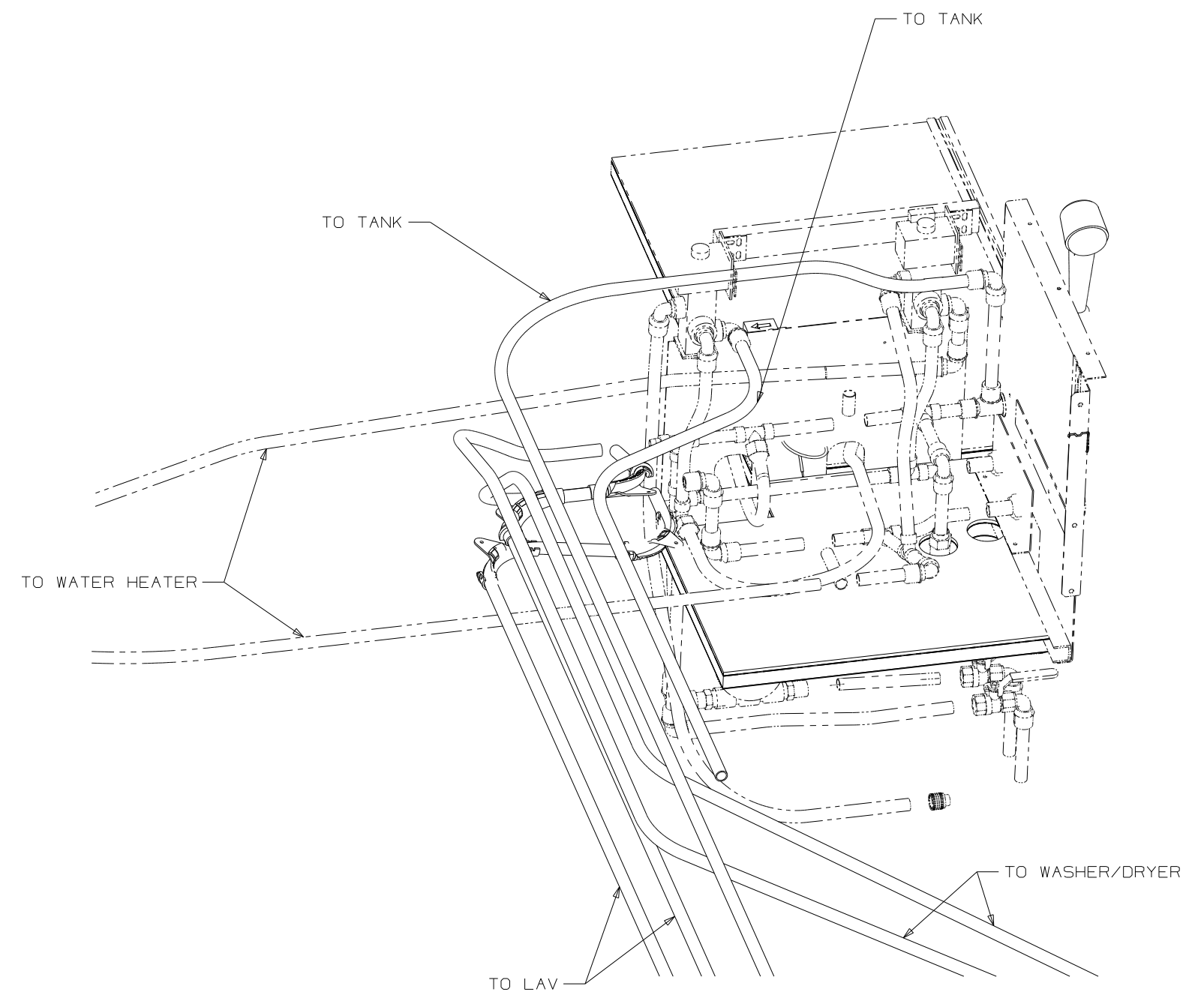
VIEW E

VIEW D

FIRST USED	03 P39WD
TITLE	DO NOT SCALE DRAWING
TITLE	WATER SYSTEM INSTL
SHEET 3	PART NO 142339



VIEW F
MANUAL WINTERIZATION
REF



VIEW F
ELEC WINTERIZATION
REF

FIRST USED	03 P39WD
TITLE	DO NOT SCALE DRAWING
SHEET 4	PART NO 142339