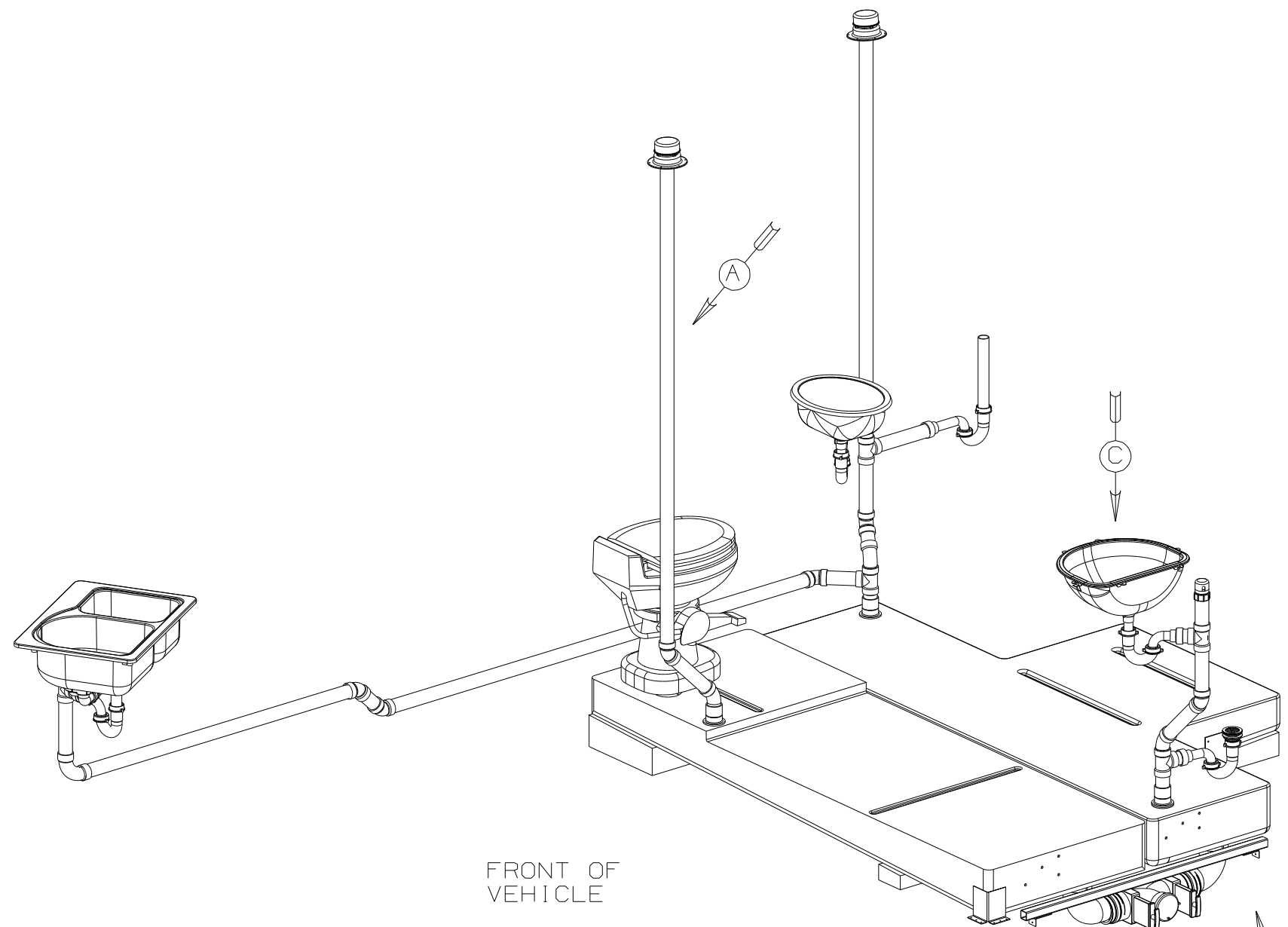


DWG NO	----
143157-01	(WDL)
143157-02	(ITA)

RELEASE	REV DATE	DWG NO	143157
REV ZONE	REVISION RECORD	DATE	DFTR-0R16



FRONT OF VEHICLE

- (WDL) WINNEBAGO DELUXE UPGRADE
- (ITA) ITASCA
- (1B1) CODES/STANDARDS-USA
- (265) CODES/STDS-CSA/CMVSS
- (43M) TOILET-PORCELAIN, ELONGATE
- (430) TOILET-PORCELAIN
- (21M) WASHER/DRYER PREP
- (54E) WASHER/DRYER

- NOTES:
7. VENT PIPE MUST PROJECT 51 MIN AND 63.5 MAX ABOVE ROOF FOR PROPER FIT AND FUNCTION.
 6. FASTEN TO BOTTOM OF UPPER FLOOR.
 5. SEAL AROUND SHOWER WITH SILICONE.
 4. ALL EXTERIOR OPENINGS AROUND PIPE TO BE SEALED WITH 110744-01-000.
 3. ALL PIPE AND FITTINGS TO BE ASSEMBLED WITH SOLVENT 4020-01-000.
 2. SLOPE OF TRAP ARM MUST BE 6 PER 305 MM.
 1. SLOPE OF HORIZONTAL PIPING TO BE 6 PER 305 MM.

(X-X)
FOR DRAINAGE CALLOUTS SEE DWG NO 116229-01-000

WINNEBAGO		COPYRIGHT 2003 WINNEBAGO INDUSTRIES, INC.	
DFTR	ORIG. DATE	ALL DIMENSIONS ARE IN MILLIMETERS	
CHKR		FIRST USED	
P.E.		03 P390D	
M.E.		UNSPECIFIED TOLERANCES ARE:	
DSNR		MATERIAL:	
		WHOLE DIM (X)	: 7
		ONE-PLACE (X.X)	:
		TWO-PLACE (X.XX)	:
		ANGLE	:
THIRD ANGLE PROJECTION		DO NOT SCALE DRAWING	
		TITLE: DRAINAGE SYSTEM INSTL	
SHEET 1 OF 3		PART NO 143157	
REF: 139795		1 03/11/03	

SINK - GALLEY
 134851-01-CHT
 STRAINER
 92303-01-000 (2)
 SEAL
 91255-02-000 (A/R)
 ANGLE-FORMED
 140002-01-CHT (10)
 SCREW
 G67-10-08B (8)
 WASHER-RUBBER
 127440-02-CHT (2)

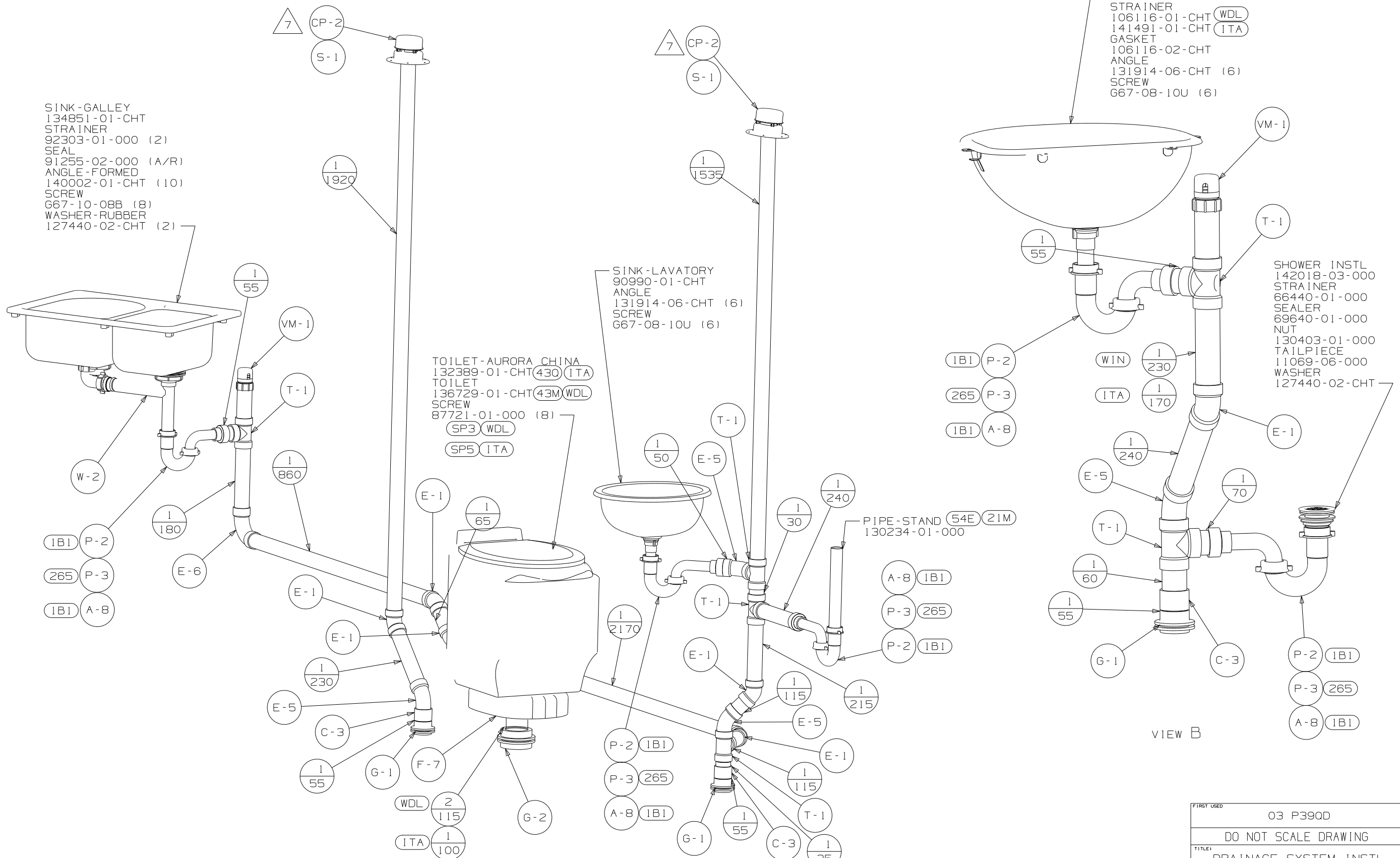
SINK-LAV
 14228501-CHT
 STRAINER
 106116-01-CHT (WDL)
 141491-01-CHT (ITA)
 GASKET
 106116-02-CHT
 ANGLE
 131914-06-CHT (6)
 SCREW
 G67-08-10U (6)

SINK-LAVATORY
 90990-01-CHT
 ANGLE
 131914-06-CHT (6)
 SCREW
 G67-08-10U (6)

TOILET-AURORA CHINA
 132389-01-CHT (430) (ITA)
 TOILET
 136729-01-CHT (43M) (WDL)
 SCREW
 87721-01-000 (8)
 (SP3) (WDL)
 (SP5) (ITA)

SHOWER INSTL
 142018-03-000
 STRAINER
 66440-01-000
 SEALER
 69640-01-000
 NUT
 130403-01-000
 TAILPIECE
 11069-06-000
 WASHER
 127440-02-CHT

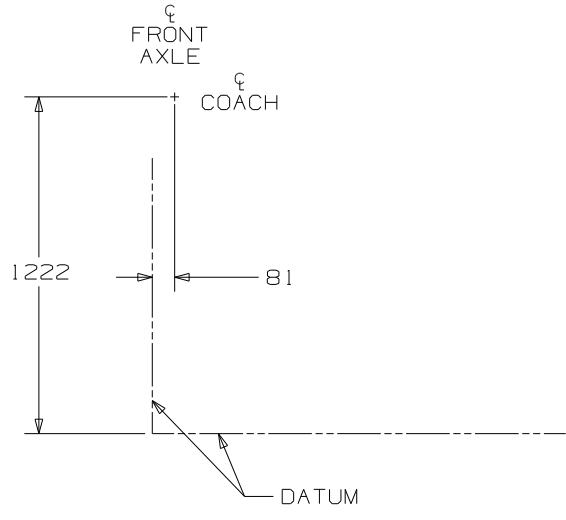
PIPE-STAND (54E) (21M)
 130234-01-000



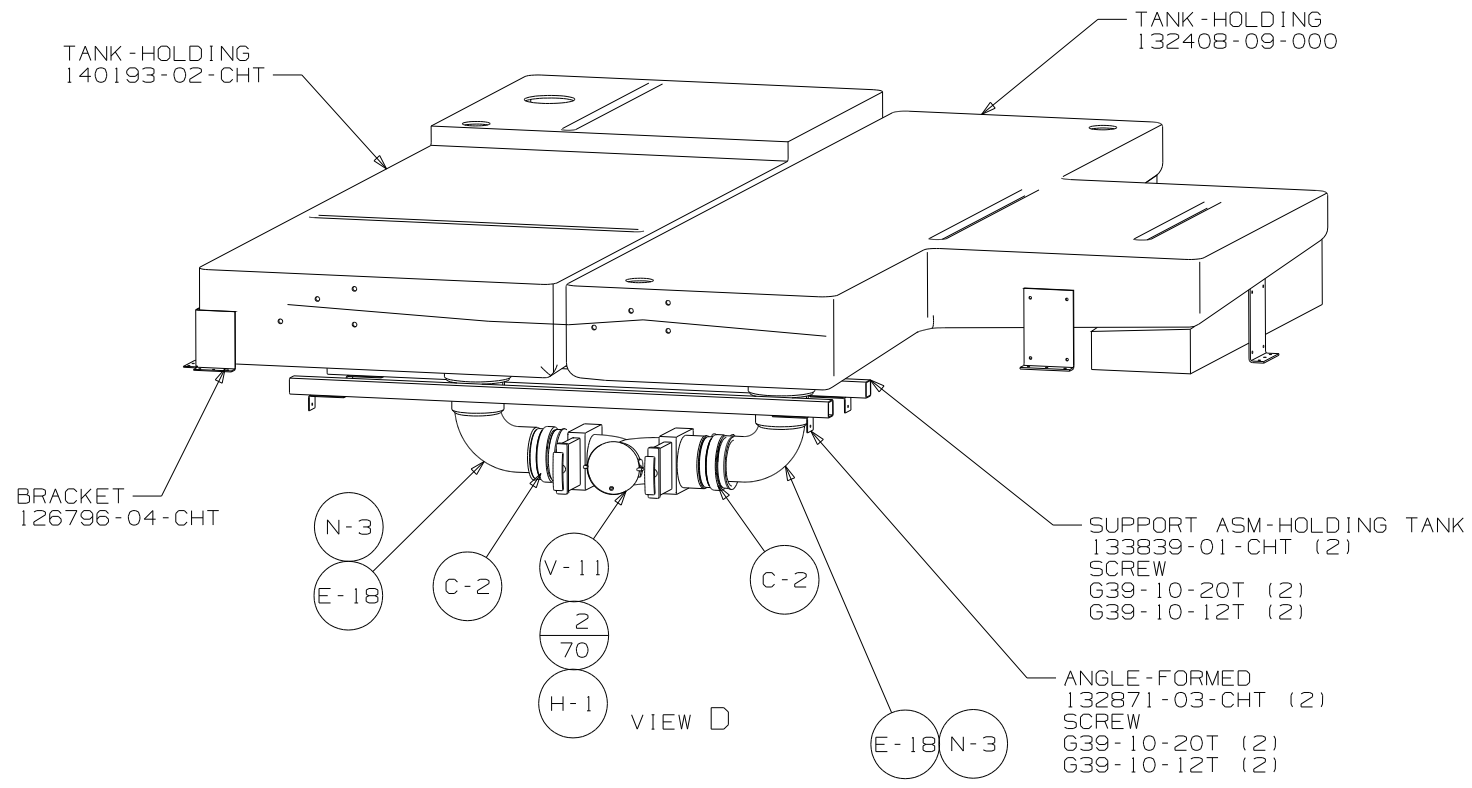
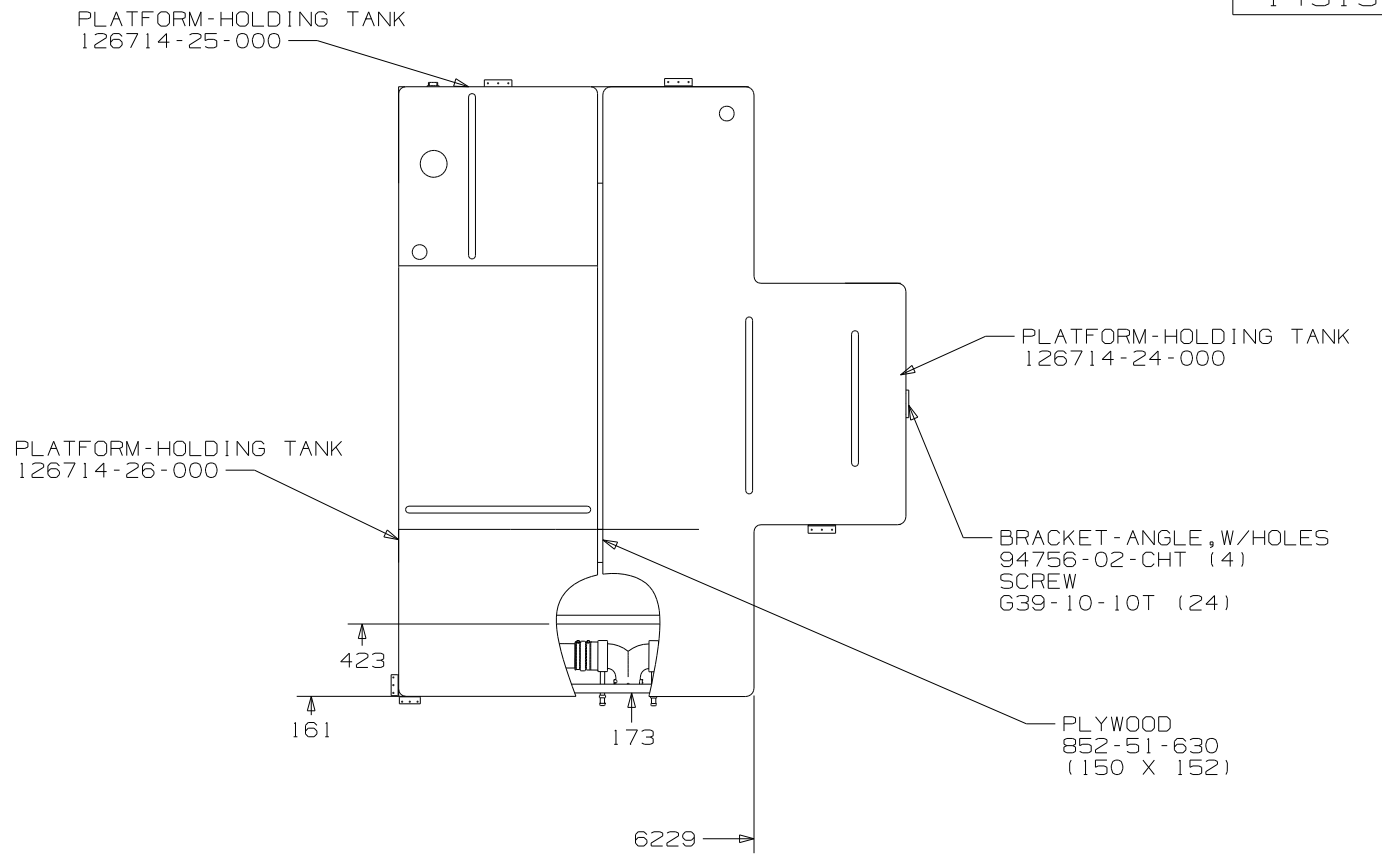
VIEW A

VIEW B

FIRST USED	03 P390D
DO NOT SCALE DRAWING	
TITLE	DRAINAGE SYSTEM INSTL
SHEET 2	PART NO 143157



VIEW C

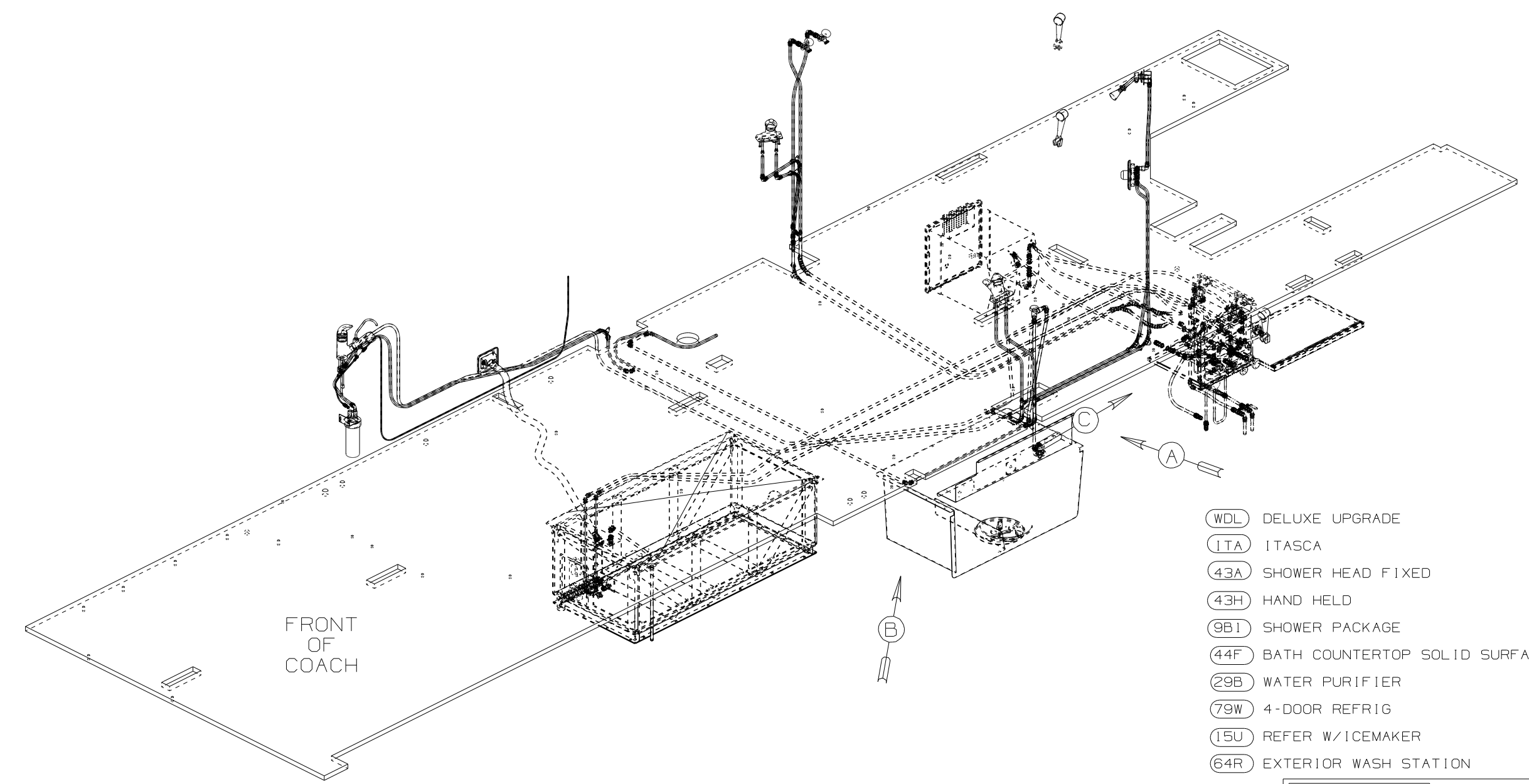


VIEW D

FIRST USED	03 P390D
TITLE	DO NOT SCALE DRAWING
	DRAINAGE SYSTEM INSTL
SHEET 3	PART NO 143157

DWG NO	----
142861-01	(WDL)
142861-02	(ITA)

RELEASE	REV DATE	DWG NO
A		142861
REV ZONE	REVISION RECORD	DATE
		DFTR-ORIG

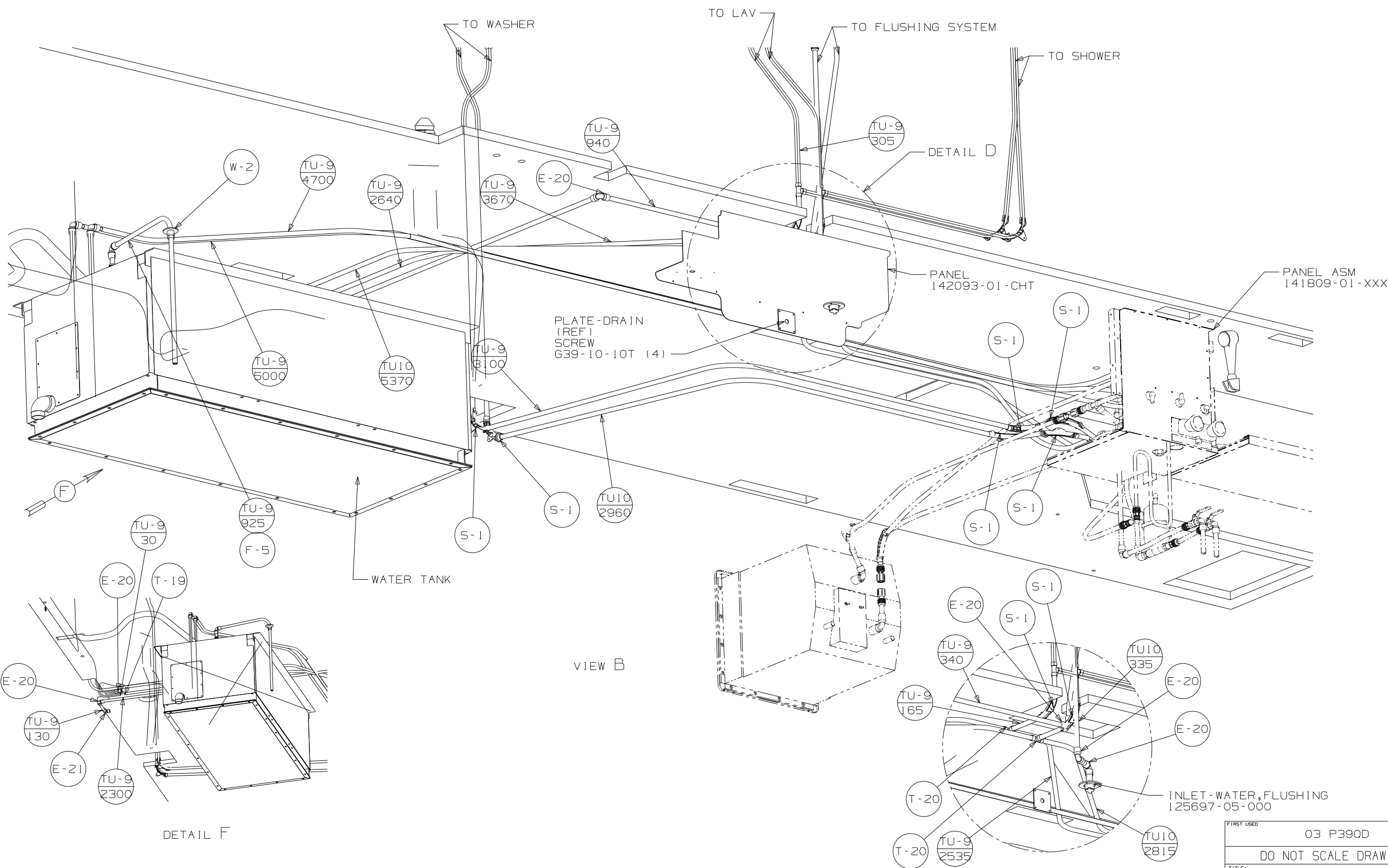


- (WDL) DELUXE UPGRADE
- (ITA) ITASCA
- (43A) SHOWER HEAD FIXED
- (43H) HAND HELD
- (9B1) SHOWER PACKAGE
- (44F) BATH COUNTERTOP SOLID SURFACE
- (29B) WATER PURIFIER
- (79W) 4-DOOR REFRIG
- (15U) REFER W/ICEMAKER
- (64R) EXTERIOR WASH STATION

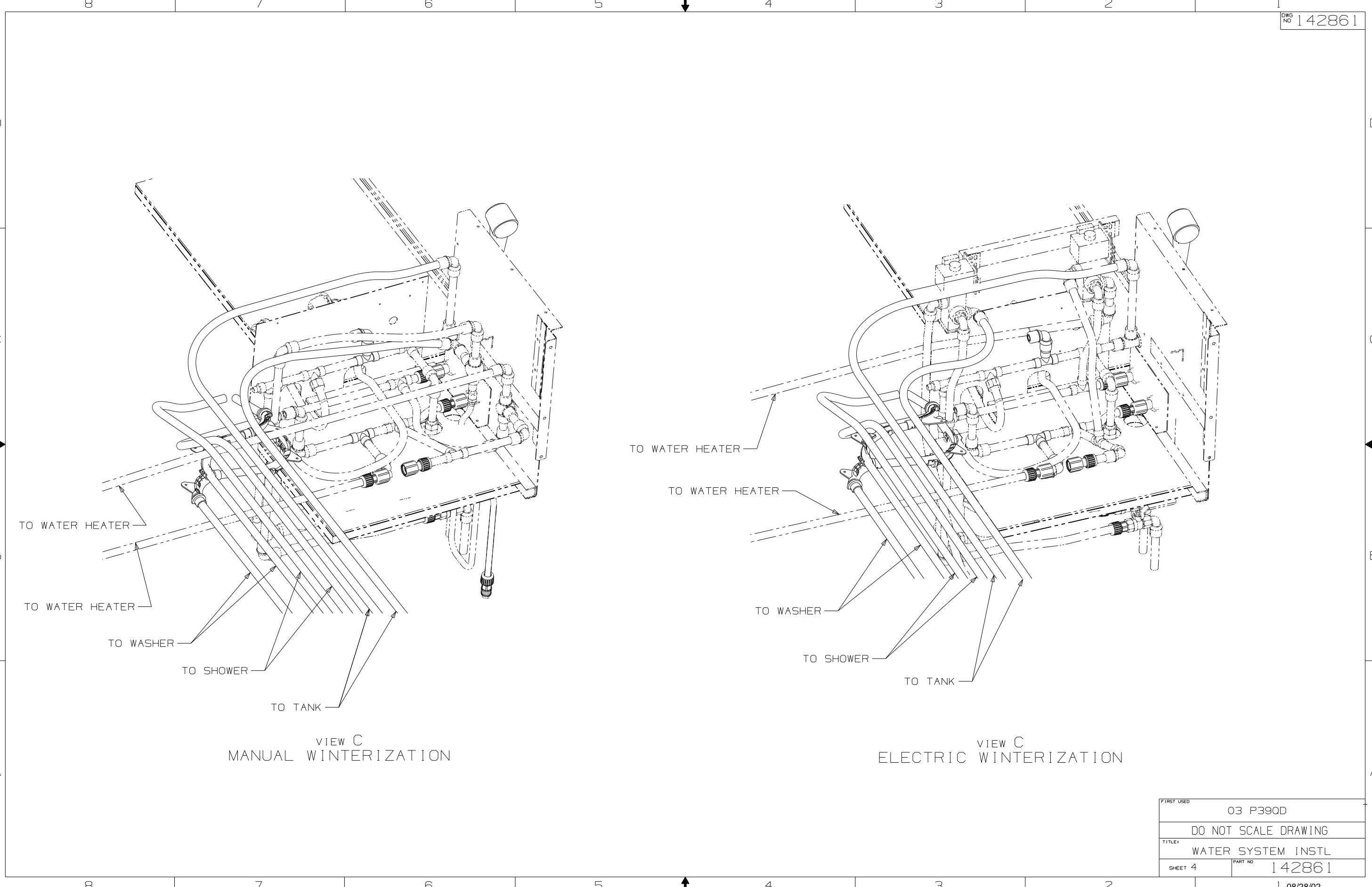
- NOTES:
8. PROTECT WATER LINES PASSING THROUGH FLOOR FROM SHARP EDGES.
 7. ADD TEFLON TAPE 10405-01-000 TO FITTING.
 6. ADD TEFLON TAPE 10405-03-000 TO FITTING.
 5. ADD TEFLON TAPE 10405-02-000 TO FITTING.
 4. FLUSHING SYSTEM REQUIRES 125697-06-000 INSTRUCTION SHEET.
 3. ALL TUBING TO BE SECURED AT 1200 INTERVALS MAXIMUM WITH CLAMP 10495-01-000 OR CLIP 9151-01-000 AND SCREW G67-10-12B.
 2. TUBING TO BE INSTALLED WITH SUFFICIENT SLOPE TO PROVIDE DRAINAGE TO NEAREST VALVE.
 1. PLASTIC FITTINGS TO BE SEALED WITH SEALANT 84456-01-000

(X-X)
FOR WATER CALLOUTS SEE DWG NO. 116230-01-000

WINNEBAGO		COPYRIGHT 2002 WINNEBAGO INDUSTRIES, INC.	
DFTR	ORIG. DATE	ALL DIMENSIONS ARE IN MILLIMETERS	
CHKR		FIRST USED	
P.E.		03 P390D	
M.E.		UNSPECIFIED TOLERANCES ARE:	
DSNR		MATERIAL:	
		WHOLE DIM (X) :	7
		ONE-PLACE (X.X) :	
		TWO-PLACE (X.XX) :	
		ANGLE :	
THIRD ANGLE PROJECTION			
DO NOT SCALE DRAWING			
TITLE: WATER SYSTEM INSTL			
SHEET 1 OF 4		PART NO 142861	



FIRST USED	03 P390D
TITLE	DO NOT SCALE DRAWING
TITLE	WATER SYSTEM INSTL
SHEET 3	PART NO 142861



VIEW C
MANUAL WINTERIZATION

VIEW C
ELECTRIC WINTERIZATION

FIRST USED	03 P390D
TITLE	DO NOT SCALE DRAWING
	WATER SYSTEM INSTL
SHEET 4	PART NO 142861