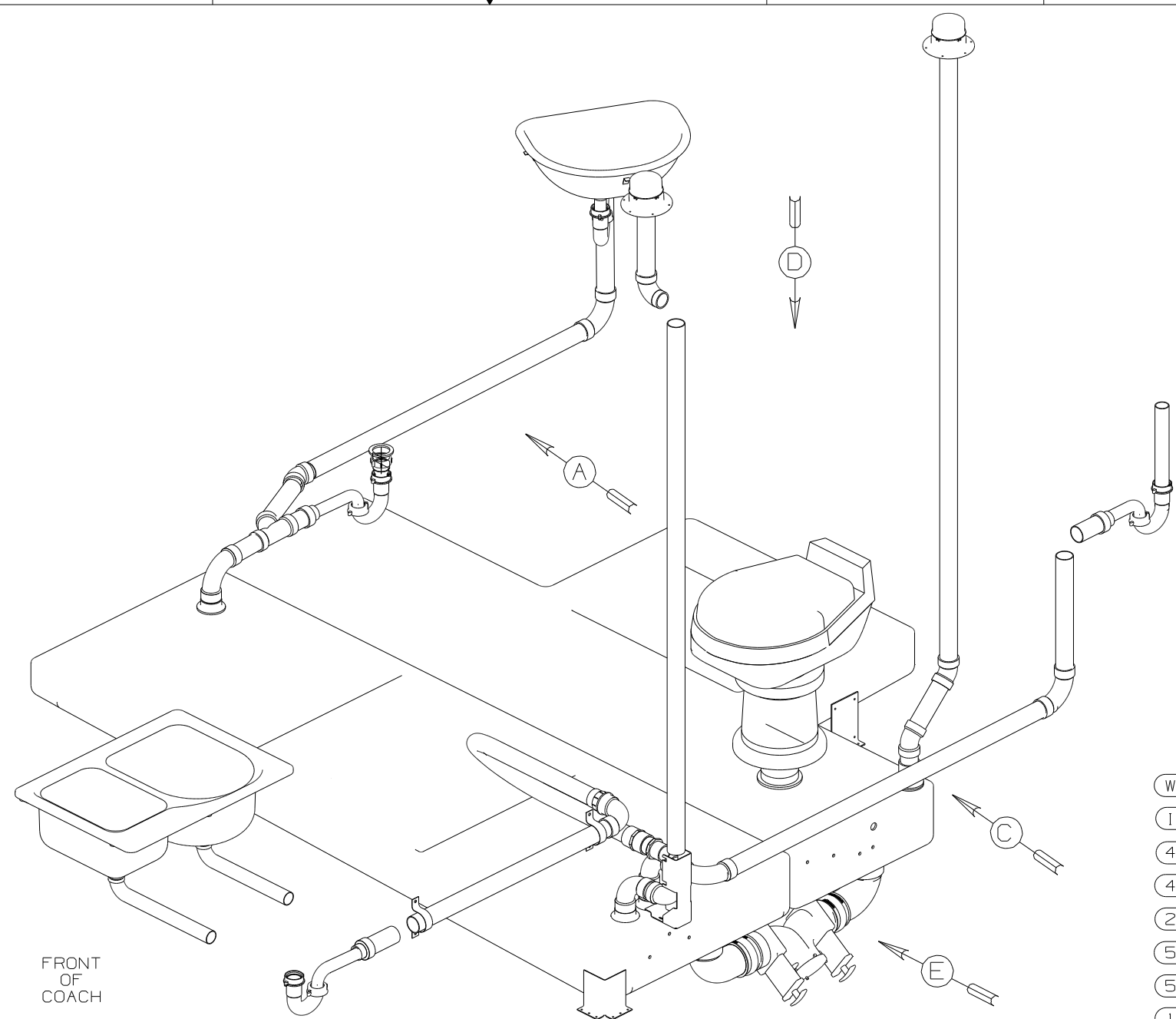


DWG NO	----
141647-01	(WDL)
141647-02	(ITA)

RELEASE	REV DATE	DWG NO	141647
REV ZONE	REVISION RECORD	DATE	DFTR-ORIG



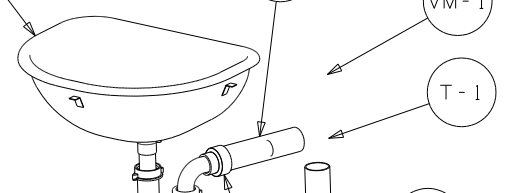
- (WDL) WINNEBAGO DELUXE UPGRADE
- (ITA) ITASCA ONLY
- (43M) TOILET-PORCELAIN, ELONGATE
- (44E) COUNTERTOP-SOL. SURFACE-GALLEY
- (21M) WASHER/DRYER PREP
- (54E) WASHER/DRYER
- (53Q) TOILET-PORCELAIN
- (1B1) CODES/STANDARDS USA
- (265) CODES/STDS-CSA/CMVSS

- NOTES:
1. SLOPE OF HORIZONTAL PIPING TO BE 6 PER 305 mm.
 2. SLOPE OF TRAP ARM MUST BE 6 PER 305.
 3. ALL PIPE AND FITTINGS TO BE ASSEMBLED WITH SOLVENT 4020-01-000.
 4. ALL EXTERIOR OPENINGS AROUND PIPE TO BE SEALED WITH 110744-01-000.
 5. SEE DRAWING 61607-01-000 FOR INSTL OF GROMMETS.
 6. SEAL ALL AROUND SHOWER WITH SILICONE.
 7. SEE DWG 61607-01-000 FOR INSTL OF GROMMETS.
 8. VENT PIPE MUST PROJECT 51 MIN AND 64 MAX. ABOVE ROOF FOR PROPER FIT AND FUNCTION.
 9. SECURE VENT TUBES TO FLOOR WITH BRACKET 136878-01-000 (3), CLAMP 62401-02-000 (3) AND SCREW G67-10-12B (3).
 10. TRIM TO FIT.

(X-X)
FOR
DRAINAGE
CALLOUTS
SEE DWG NO
116229-01-000

WINNEBAGO		COPYRIGHT 2002 WINNEBAGO INDUSTRIES, INC.	
DFTR	ORIG. DATE	ALL DIMENSIONS ARE IN MILLIMETERS	
CHKR		FIRST USED	
P.E.		03 P36LD	
M.E.		UNSPECIFIED TOLERANCES ARE:	
DSNR		MATERIAL:	
		WHOLE DIM (X)	: 7
		ONE-PLACE (X.X)	: 1.5
		TWO-PLACE (X.XX)	: 0.50
		ANGLE	: 1°
THIRD ANGLE PROJECTION		DO NOT SCALE DRAWING	
TITLE: DRAINAGE SYSTEM INSTL			
SHEET 1 OF 3	PART NO	141647	

- 44F SINK-LAVATORY
142285-01-CHT
TAILPIECE
- WDL 106116-01-CHT
GASKET
- ITA 141491-01-CHT
ANGLE
- 106116-02-CHT
ANGLE
- 131914-06-CHT (6)
SCREW
- G67-08-10U (6)

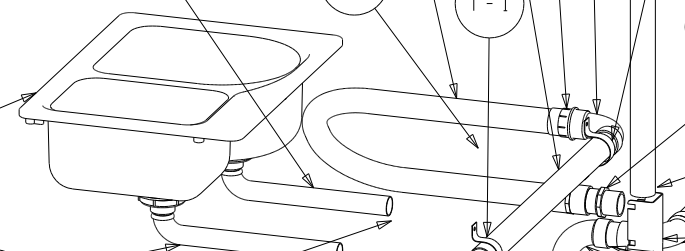


- 1 250 265
- 1 195 1B1
- 1 410 WDL
- 1 350 ITA
- 1 1040
- 1B1 A-8
- 265 P-3
- 1B1 P-2

- SHOWER INSTL
142018-03-000
STRAINER
066440-01-000
SEALER
69640-01-000
NUT
130403-01-000
TAIL PIECE
11069-06-000
WASHER
127440-02-CHT

VIEW A

- SINK - GALLEY, DBL
134851-01-CHT (US/CAN)
STRAINER
92303-01-000 (2)
SEAL
91255-02-000 (A/R)
ANGLE-FORMED
140002-01-CHT (10)
SCREW
G67-06-10U (8)
WASHER-RUBBER
127440-02-CHT (2)



- 10 P-7
- 10 P-7
- 1B1 P-2
- 265 P-3
- 1B1 A-8
- 1B1 P-2
- 1B1 P-3
- 1 120
- 1 55
- 1 200
- 1 755
- 1 1645
- 1 365
- 1 80 1B1
- 1 1260
- 1 65
- 1 55
- 1 35
- 1 55

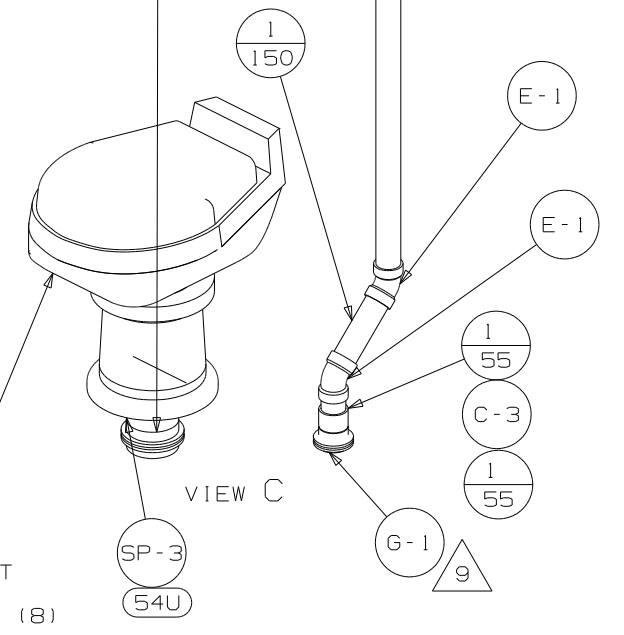
VIEW B

- CLAMP
62401-05-000
BRACKET-PIPE, VENT
136878-01-CHT

- 54E
21M
PIPE STAND
130234-01-000

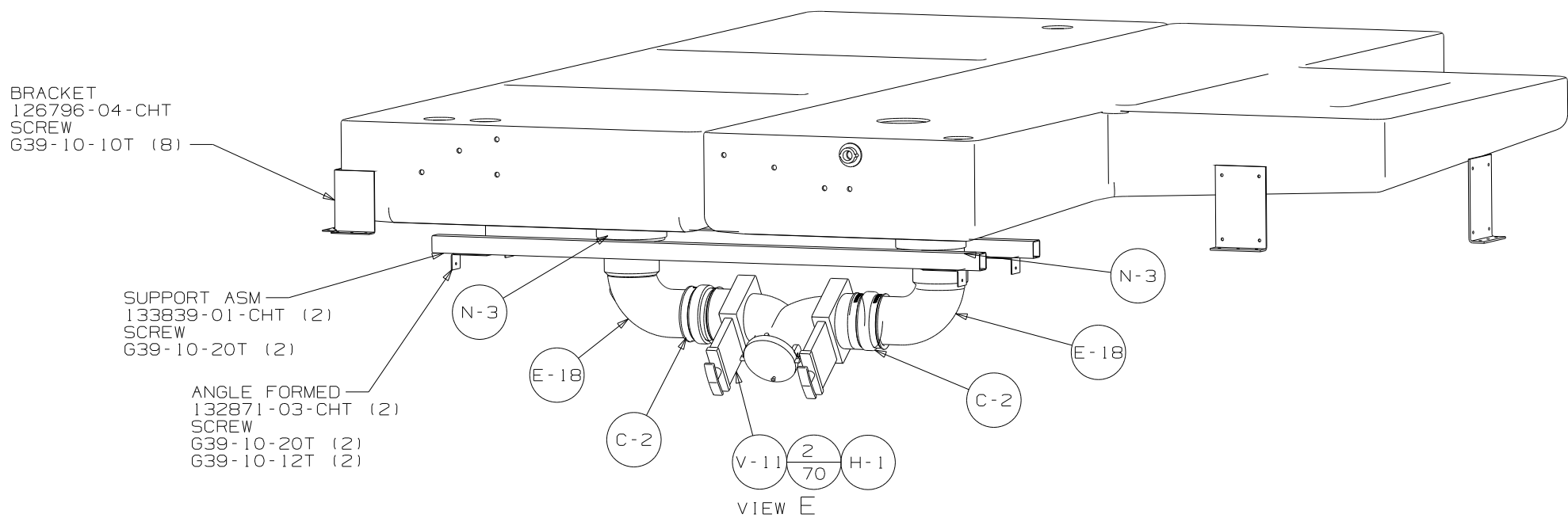
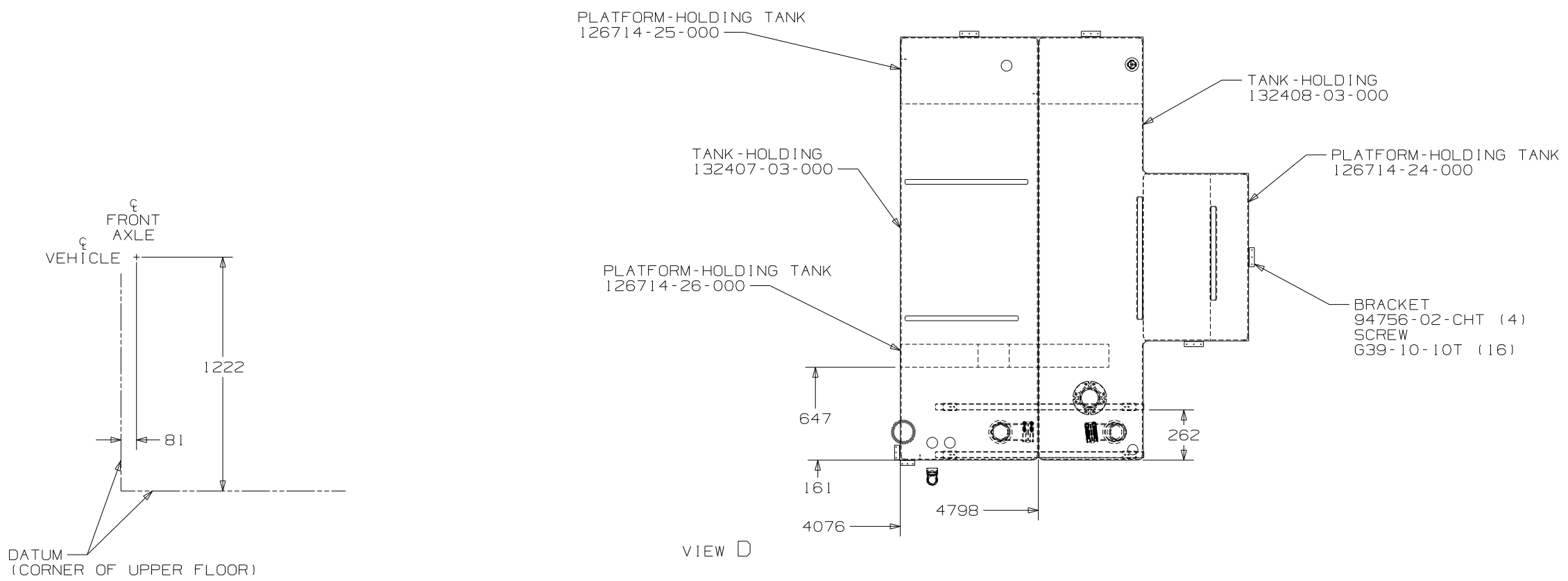
- BRACKET
134703-01-CHT

- TOILET
132389-01-CHT
SCREW
87721-01-000 (8)
- TOILET
136729-01-CHT
SCREW
87721-01-000 (8)

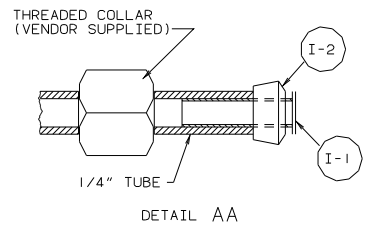


VIEW C

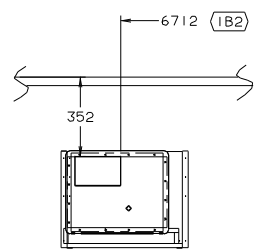
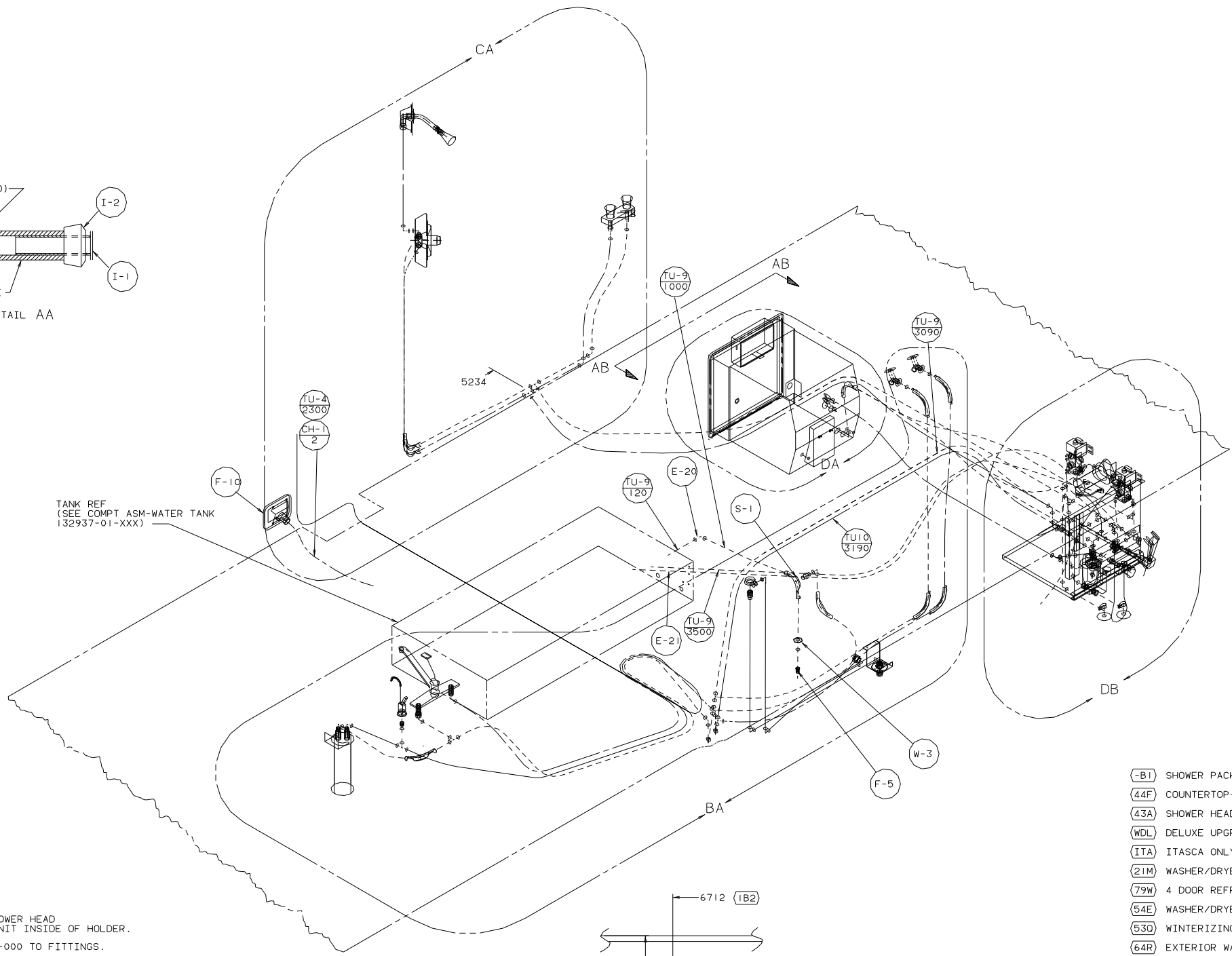
FIRST USED	03 P36LD
TITLE	DO NOT SCALE DRAWING
TITLE	DRAINAGE SYSTEM INSTL
SHEET 2	PART NO 141647



FIRST USED	03 P36LD
DO NOT SCALE DRAWING	
TITLE	DRAINAGE SYSTEM INSTL
SHEET 3	PART NO 141647



TANK REF
(SEE COMPT ASM-WATER TANK
132937-01-XXX)



LEGEND	
HOT	---
COLD	- - - - -

(X-X)
 FOR WATER
 CALLOUTS
 SEE DWG NO.
 116230-01-000

- (B1) SHOWER PACKAGE
- (44F) COUNTERTOP-SOL. SURFACE-BATH
- (43A) SHOWER HEAD-FIXED
- (WDL) DELUXE UPGRADE
- (ITA) ITASCA ONLY
- (2IM) WASHER/DRYER PREP
- (79W) 4 DOOR REFRIGERATOR W/ICEMAKER
- (54E) WASHER/DRYER
- (530) WINTERIZING KIT
- (64R) EXTERIOR WASH STATION
- (53J) WATER HEATER BY-PASS-VALVE
- (IB2) WTR HTR-10GAL/ELEC/LP/MTRAITD
- (29B) WATER PURIFIER
- (15U) REFRIGERATOR/FRZR W/ICEMAKER

- NOTES:
1. PLASTIC FITTINGS TO BE SEALED WITH SEALANT 84456-01-000.
 2. TUBING TO BE INSTALLED WITH SUFFICIENT SLOPE TO PROVIDE DRAINAGE TO NEAREST VALVE.
 3. ALL TUBING TO BE SECURED AT 1200 INTERVALS MAXIMUM WITH CLAMP 10495-01-000 OR CLIP 9151-01-000 AND SCREW G67-10-12B.
 4. USE DETAIL "AA" IN THIS AREA.
 5. CLAMPS MUST BE ON BARBS.
 6. FLUSHING SYSTEM REQUIRES 125697-06-000 INSTRUCTION SHEET.
 7. WRAP WITH TEFLON TAPE 10405-01-000 MINIMUM THREE WRAPS.
 8. WRAP WITH TEFLON TAPE 10405-02-000 TO FITTINGS.
 9. WRAP WITH TEFLON TAPE 10405-03-000 TO FITTINGS.
 10. APPLY DECAL INSIDE OF UPPER SHOWER HEAD HOLDER TO RETAIN HAND SHOWER UNIT INSIDE OF HOLDER.

COPYRIGHT 2002 WINNEBAGO INDUSTRIES, INC. **WINNEBAGO** 03 P36LD

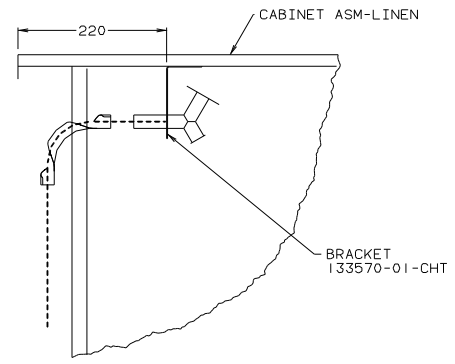
DATE	UNSPECIFIED TOLERANCES ARE:	MATERIAL:
DATE	ANGLE	
DATE	THIRD ANGLE PROJECTION	

LAYOUT NO P36LD TITLE: WATER SYSTEM INSTL

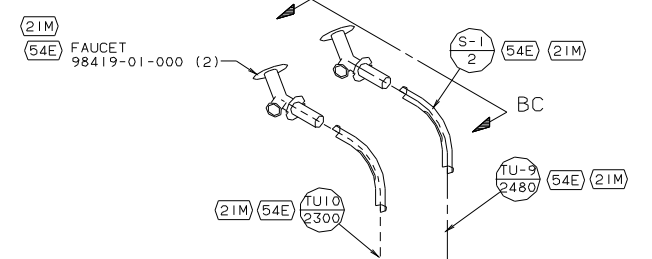
DIA # SCALE: NONE DO NOT SCALE DRAWING SHEET NO 141646

ALL DIMENSIONS ARE IN MILLIMETERS SHEET 1 OF 4

REF: 138415 | 07/09/02



VIEW BC-BC



CHECK VALVE 125697-03-000

6 BREAKER-VACUUM 125697-04-000 (MUST BE MOUNTED ABOVE TOILET FLOOD LEVEL)

TO REFRIGERATOR

TO WATER CENTER

FAUCET-GALLEY, SGL CONTROL 123744-03-CHT
SPACER-FAUCET 139295-01-CHT

29B FAUCET 103635-01-000

29B C-6
29B E-26
E-23

FILTER 87200-01-000
CARTRIDGE 87200-02-000
SCREW G67-10-12U(2)

TU-5 325
TU-9 3085

TU-5 250
TU-9 250

TU-5 75
T-24
15U 79W

TU-5 100
V-15
15U 79W

TU-5 7000
15U 79W

BB

BRACKET-SUPPORT 142093-01-CHT

INLET-WATER 125697-05-000

TU10 725
TU-9 780
TU-9 1280
TU-9 625
E-20

TU-9 50
T-20

T-20

TO WASHER
TO TOILET
TO WASHER

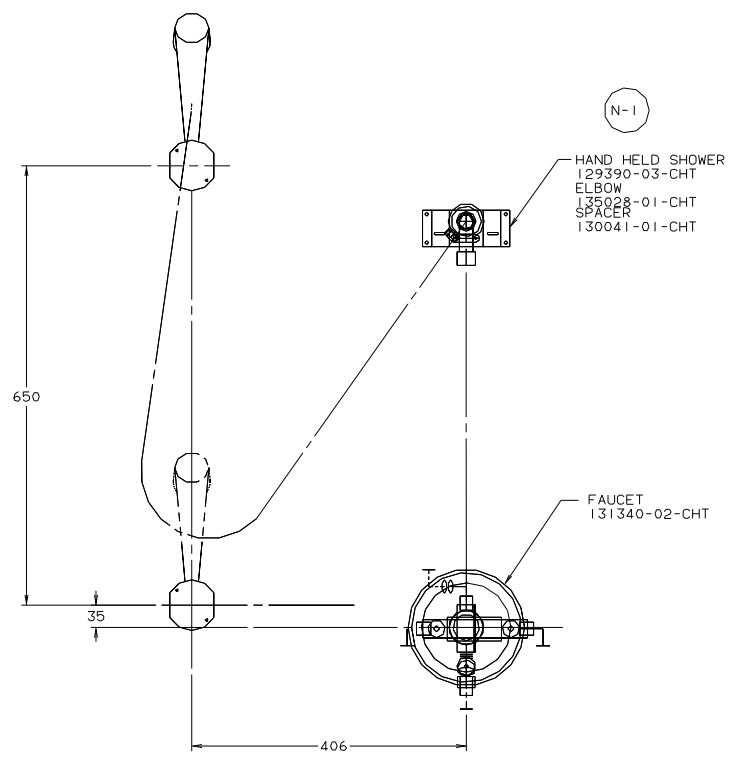
TU10 200
TU-9 200
S-1

DETAIL BA

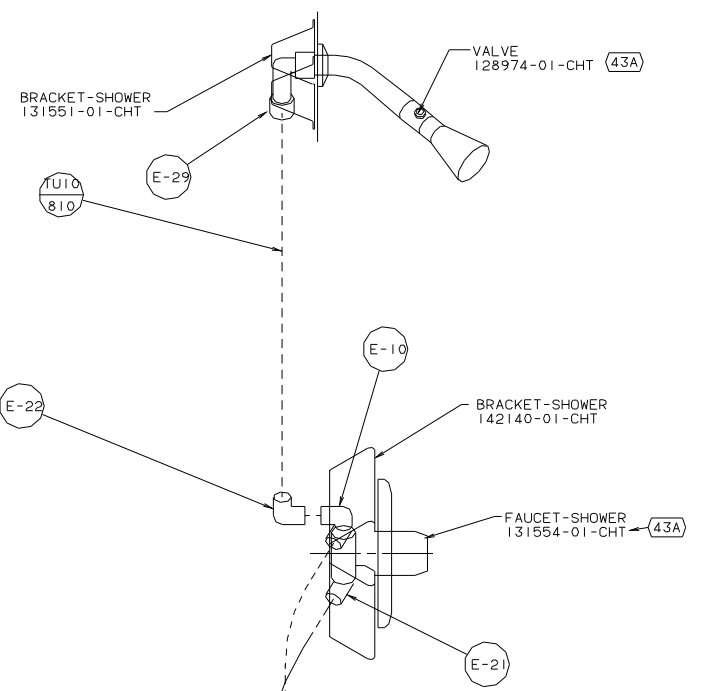
DETAIL BB

03 P36LD

TITLE: WATER SYSTEM INSTL	
DO NOT SCALE DRAWING	SIZE: 11x17
SHEET 2 OF 4	DWG NO 141646
07/09/02	



DETAIL FOR (43H) (9B1)



E-22

TU-10
2500

TU-9
2500

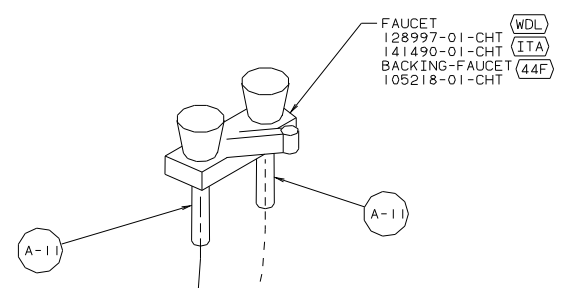
T-20

T-20

TU-9
700

TU-10
660

E-20
2



A-11

TU-10
660

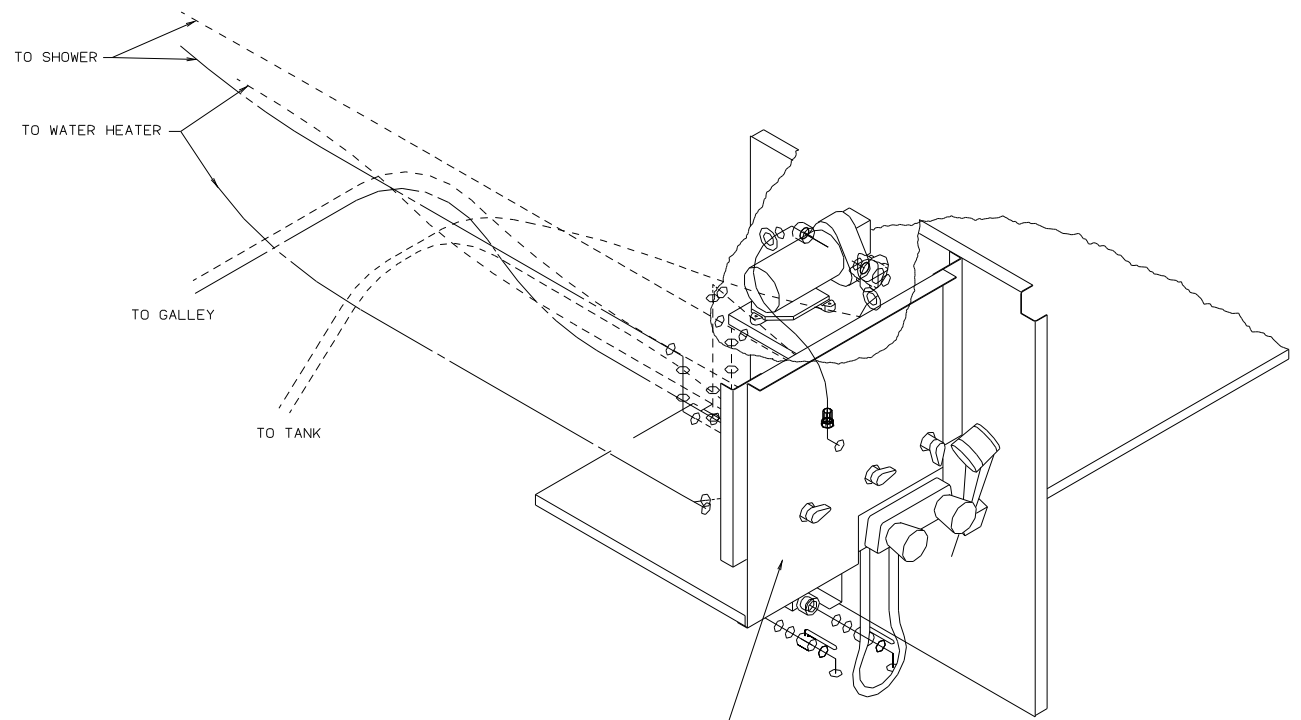
TU-9
650

DETAIL CA

TO WATER CENTER

03 P36LD

TITLE: WATER SYSTEM INSTL	
DO NOT SCALE DRAWING	SIZE: 1/4" = 1'-0"
SHEET 3 OF 4	DWG NO: 141646
DATE: 07/09/02	



PANEL ASM-WATER CENTER
141809-01-XXX

DETAIL DB