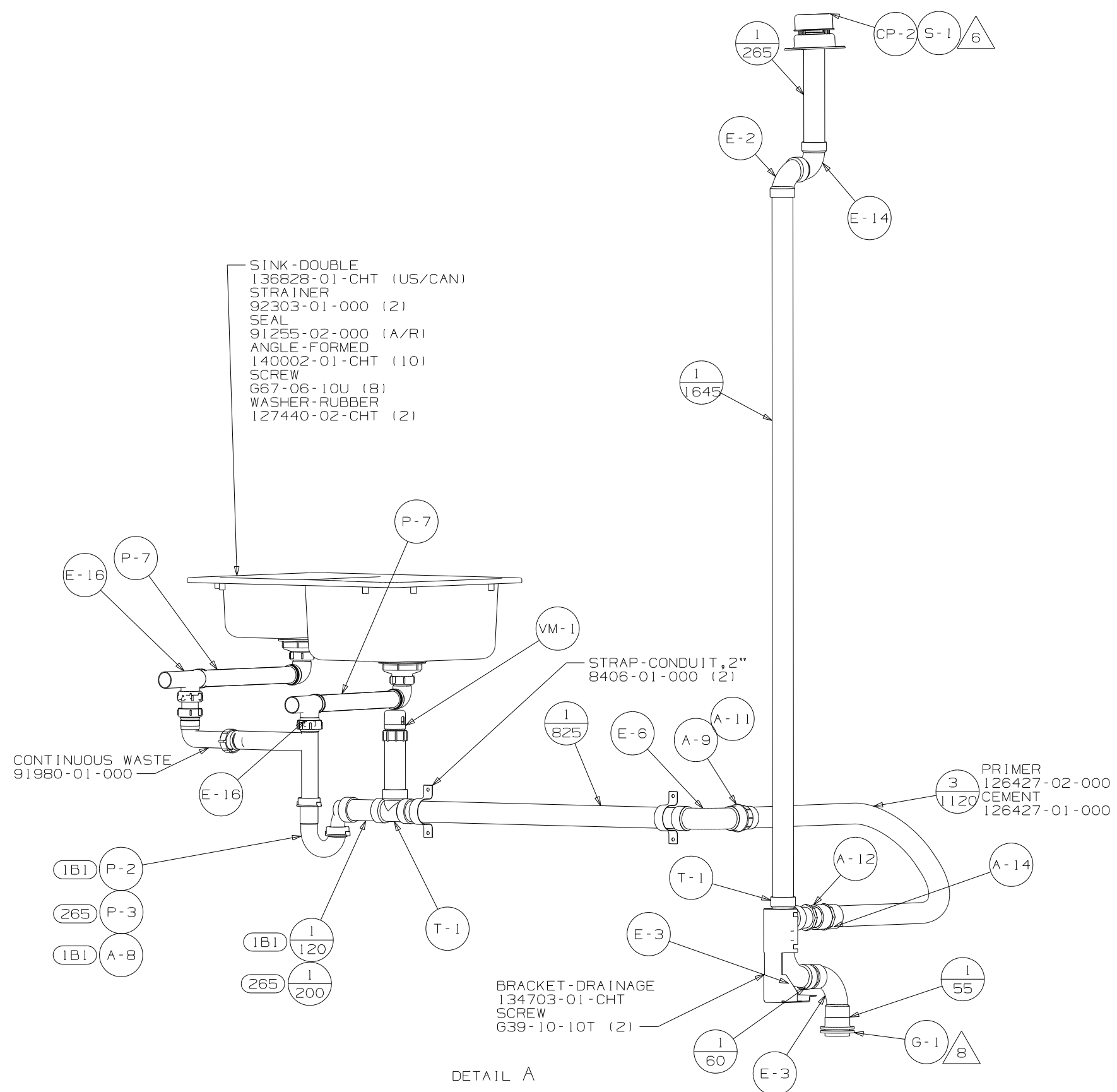


- (1B1) CODES/STANDARDS USA
- (265) CODES/STANDARDS-CSA/CMVSS
- (43M) TOILET PORCLAIN-ELONGATED
- (430) TOILET-PORCLAIN
- (43E) SHOWER HEAD-FIXED
- (WDL) WINNEBAGO DELUXE UPGRADE
- (ITA) ITASCA ONLY
- (WIN) WINNEBAGO ONLY

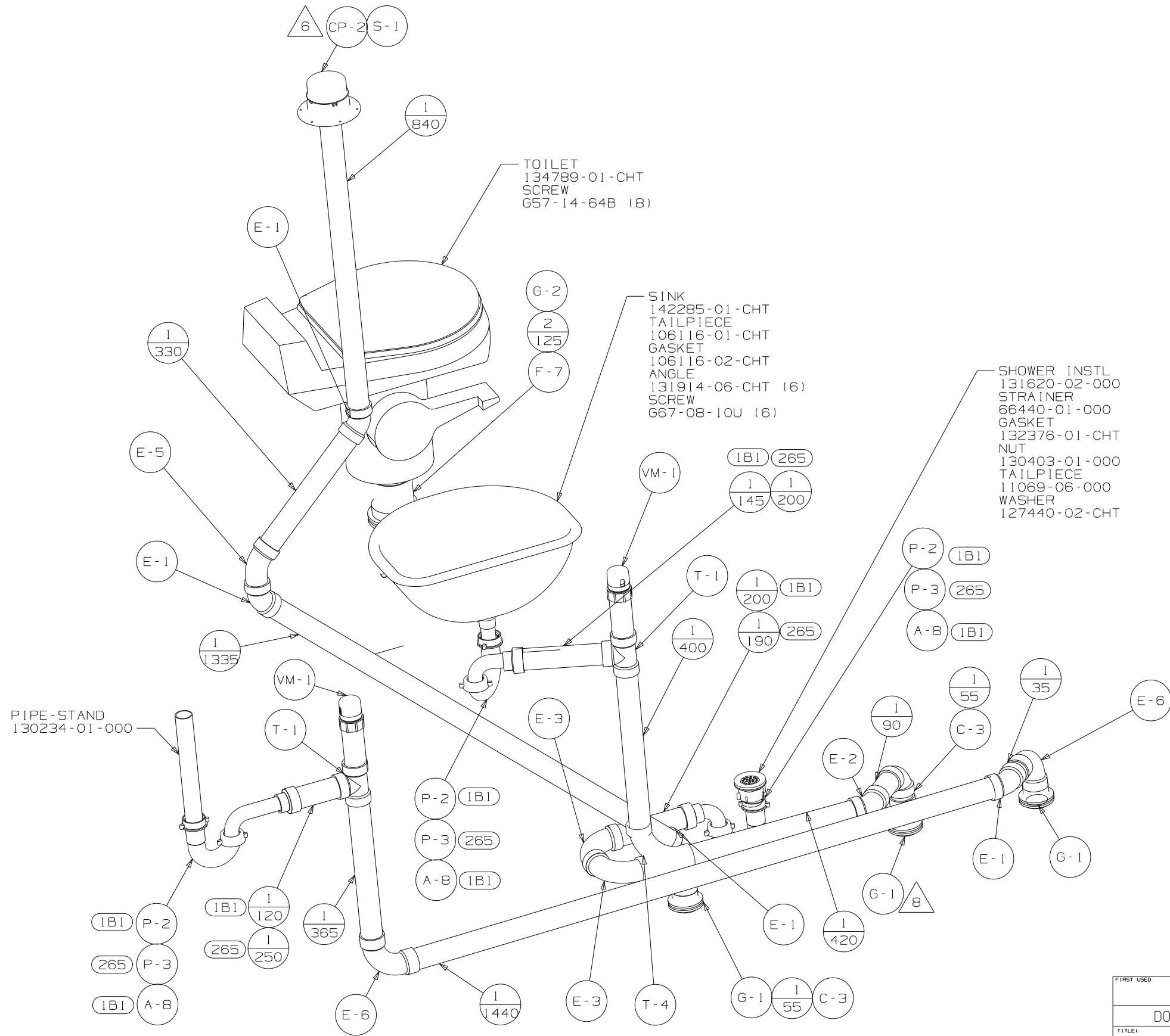
- NOTES:
7. SEE DRAWING 61607-01-000 FOR INSTL OF GROMMETS.
 6. VENT PIPE MUST PROECT 51 MIN AND 64 MAX ABOVE ROOF FOR PROPER FIT AND FUNCTION.
 5. SEAL AROUND SHOWER WITH SILICONE.
 4. ALL EXTERIOR OPENINGS AROUND PIPE TO BE SEALED WITH 110744-01-000.
 3. ALL PIPE AND FITTINGS TO BE ASSEMBLED WITH SOLVENT 4020-01-000.
 2. SLOPE OF TRAP ARM MUST BE 6 PER 305 mm.
 1. SLOPE OF HORIZONTAL PIPING TO BE 6 PER 305 mm.

WINNEBAGO		COPYRIGHT 2002 WINNEBAGO INDUSTRIES, INC.	
DFT	ORIG. DATE	ALL DIMENSIONS ARE IN MILLIMETERS	
CHKR		FIRST USED	
P.E.		03 P36L	
M.E.		UNSPECIFIED TOLERANCES ARE:	
DSNR		MATERIAL:	
		WHOLE DIM (X) :	7
		ONE-PLACE (X.X) :	
		TWO-PLACE (X.XX) :	
		ANGLE :	
THIRD ANGLE PROJECTION		DO NOT SCALE DRAWING	
TITLE:		DRAINAGE SYSTEM INSTL	
SHEET 1 OF 4	PART NO	141644	

(X-X)
FOR
DRAINAGE
CALLOUTS
SEE DWG NO
116229-01-000



FIRST USED	03 P36L
DO NOT SCALE DRAWING	
TITLE	DRAINAGE SYSTEM INSTL
SHEET 2	PART NO 141644



TOILET
 134789-01-CHT
 SCREW
 G57-14-64B (8)

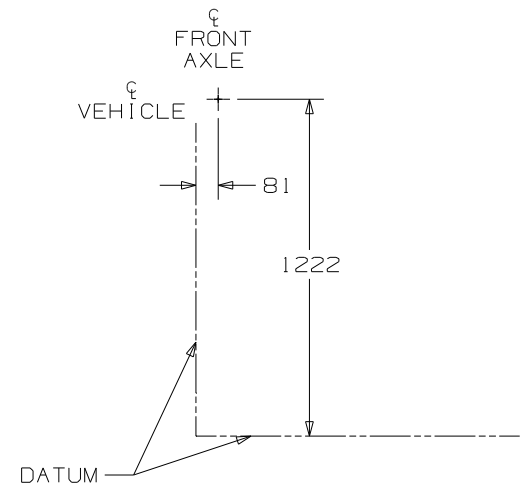
SINK
 142285-01-CHT
 TAILPIECE
 106116-01-CHT
 GASKET
 106116-02-CHT
 ANGLE
 131914-06-CHT (6)
 SCREW
 G67-08-10U (6)

SHOWER INSTL
 131620-02-000
 STRAINER
 66440-01-000
 GASKET
 132376-01-CHT
 NUT
 130403-01-000
 TAILPIECE
 11069-06-000
 WASHER
 127440-02-CHT

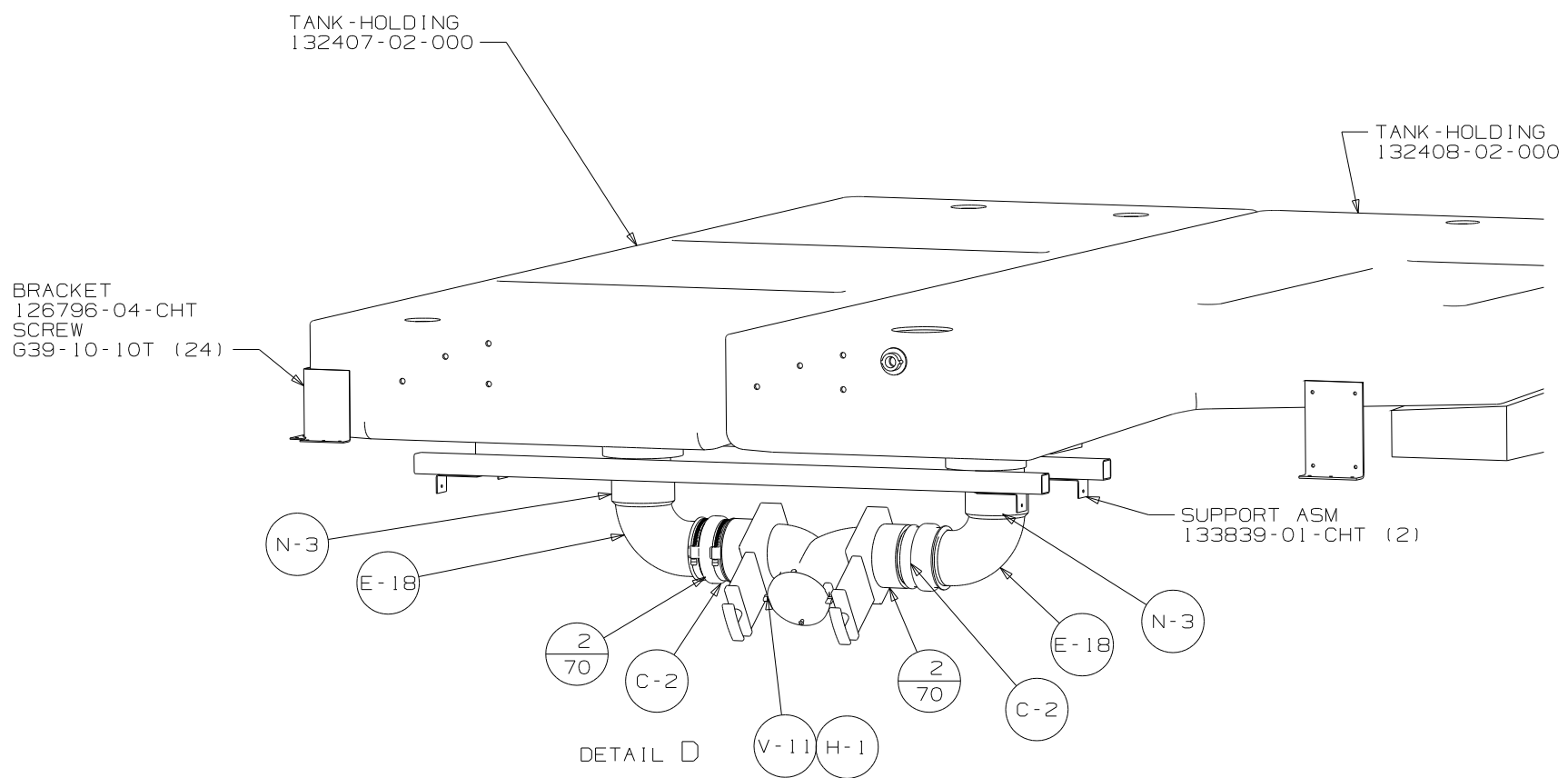
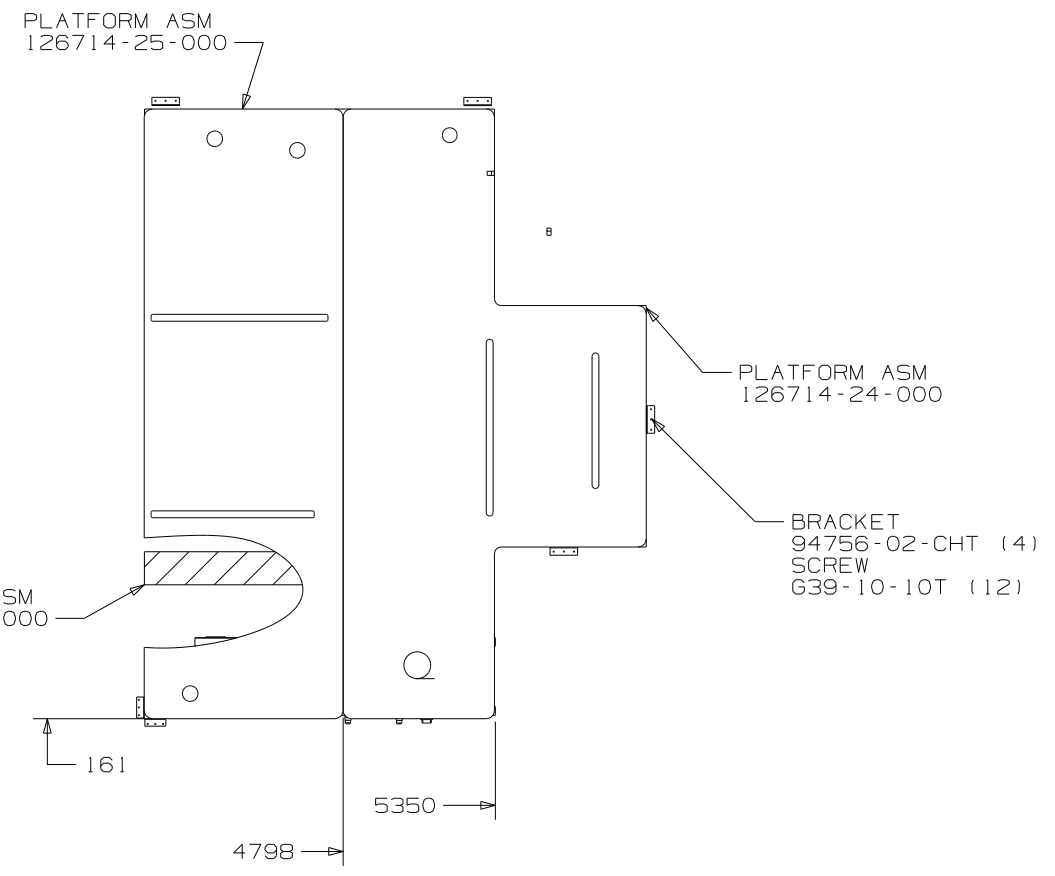
PIPE-STAND
 130234-01-000

DETAIL B

FIRST USED	03 P36L
DO NOT SCALE DRAWING	
TITLE	DRAINAGE SYSTEM INSTL
SHEET 3	PART NO 141644

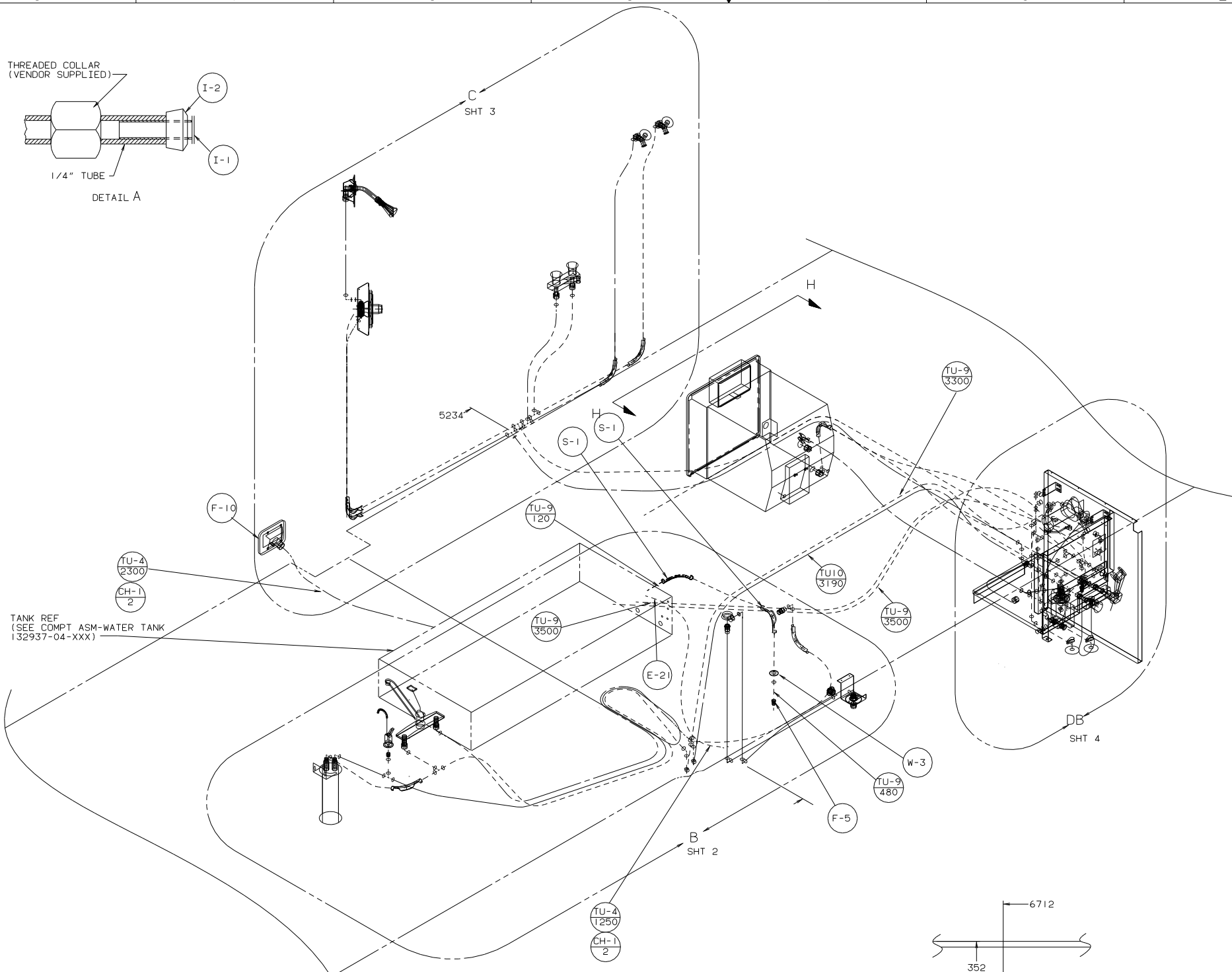
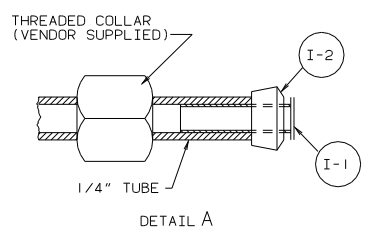


DETAIL C



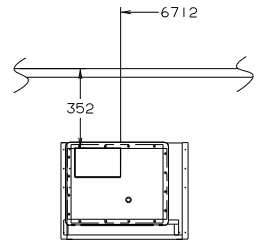
DETAIL D

FIRST USED	03 P36L
DO NOT SCALE DRAWING	
TITLE	DRAINAGE SYSTEM INSTL
SHEET 4	PART NO 141644



10. APPLY DECAL INSIDE OF UPPER SHOWER HEAD HOLDER TO RETAIN HAND SHOWER UNIT INSIDE OF HOLDER.
9. WRAP WITH TEFLON TAPE 10405-03-000 TO FITTINGS.
8. WRAP WITH TEFLON TAPE 10405-02-000 TO FITTINGS.
7. WRAP WITH TEFLON TAPE 10405-01-000 MINIMUM THREE WRAPS.
6. FLUSHING SYSTEM REQUIRES 125697-06-000 INSTRUCTION SHEET.
5. CLAMPS MUST BE ON BARBS.
4. USE DETAIL "A" IN THIS AREA.
3. ALL TUBING TO BE SECURED AT 1200 INTERVALS MAXIMUM WITH CLAMP 10495-01-000 OR CLIP 9151-01-000 AND SCREW G67-10-12B.
2. TUBING TO BE INSTALLED WITH SUFFICIENT SLOPE TO PROVIDE DRAINAGE TO NEAREST VALVE.
1. PLASTIC FITTINGS TO BE SEALED WITH SEALANT 84456-01-000.

NOTES:



- (9B1) SHOWER PACKAGE
- (44F) COUNTERTOP-SOL. SURFACE-BATH
- (79W) REFRIGERATOR-4 DOOR
- (43A) SHOWER HEAD-FIXED
- (43H) SHOWER HEAD-HAND HELD
- (21T) WASHER/DRYER WITHOUT
- (54E) WASHER/DRYER
- (21M) WASHER/DRYER PREP
- (29B) WATER PURIFIER
- (15U) REFRIGERATOR/FRZR W/ICEMAKER

LEGEND		COPYRIGHT 2002 WINNEBAGO INDUSTRIES, INC. WINNEBAGO 03 P36L	
HOT	---	DATE	UNSPECIFIED TOLERANCES ARE:
COLD	----	DATE	WHOLE DIM (XX) ± .7
		DATE	ONE-PLACE (X.X) ± .1
		DATE	TWO-PLACE (X.XX) ± .05
		DATE	ANGLE ± .1
		DATE	THIRD ANGLE PROJECTION
		DATE	
FOR WATER CALLOUTS SEE DWG NO. 116230-01-000		TITLE: WATER SYSTEM INSTL	
LAYOUT NO. P36L	SCALE: NONE	SHEET 1 OF 4	DWG NO. 141645
ALL DIMENSIONS ARE IN MILLIMETERS		REF: 139739 07/12/02	

TO WATER CENTER

TO REFRIGERATOR

6 BREAKER-VACCUUM
125697-04-000
(MUST BE MOUNTED ABOVE
TOILET FLOOD LEVEL)

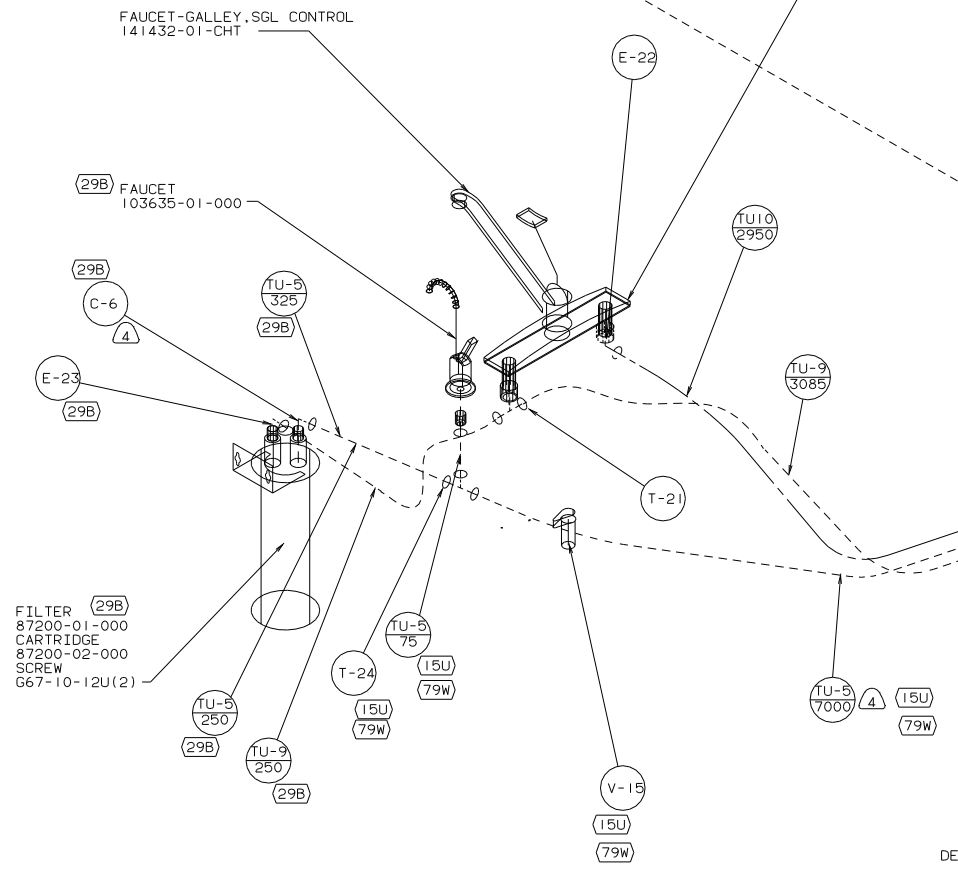
CHECK VALVE
125697-03-000

FAUCET-GALLEY, SGL CONTROL
141432-01-CHT

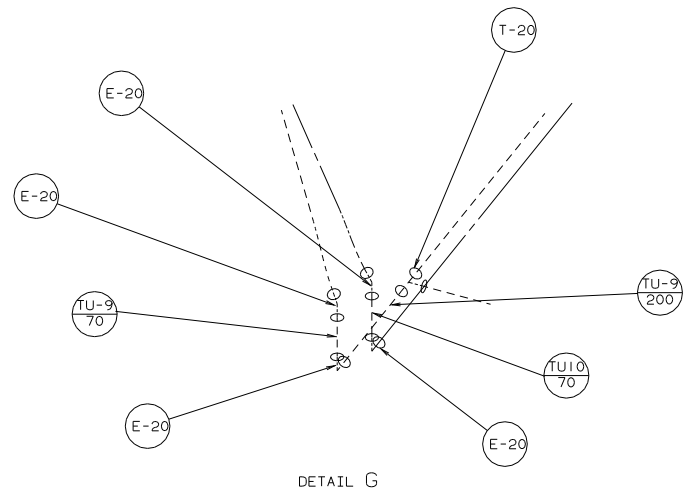
SPACER-FAUCET
137079-02-CHT

BRACKET-SUPPORT
142093-01-CHT

FILL INLET
125697-05-000



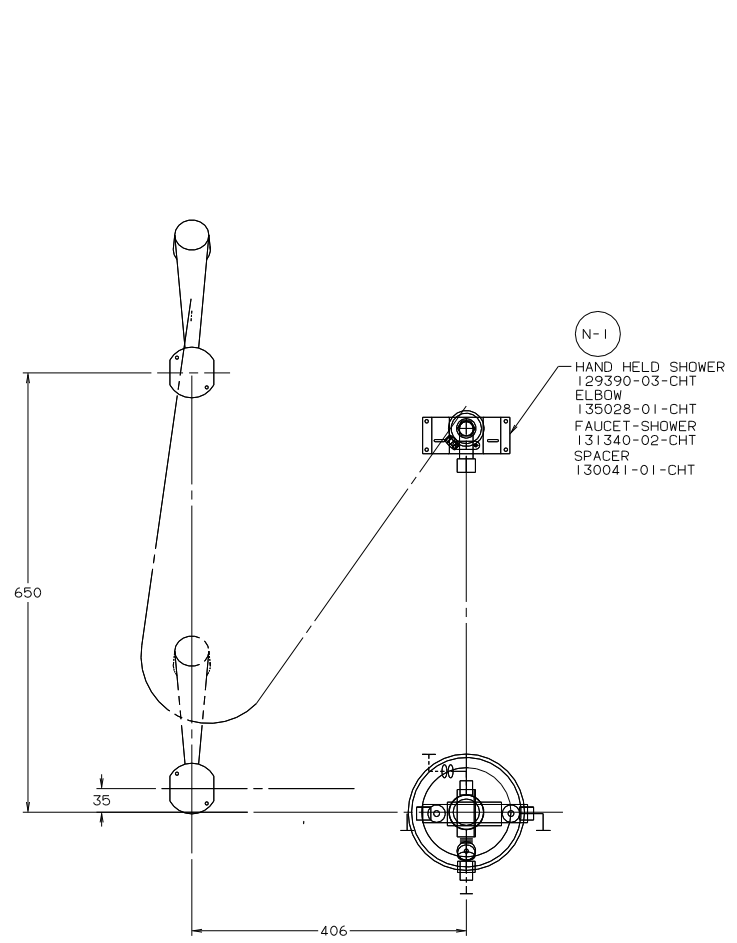
DETAIL B



DETAIL G

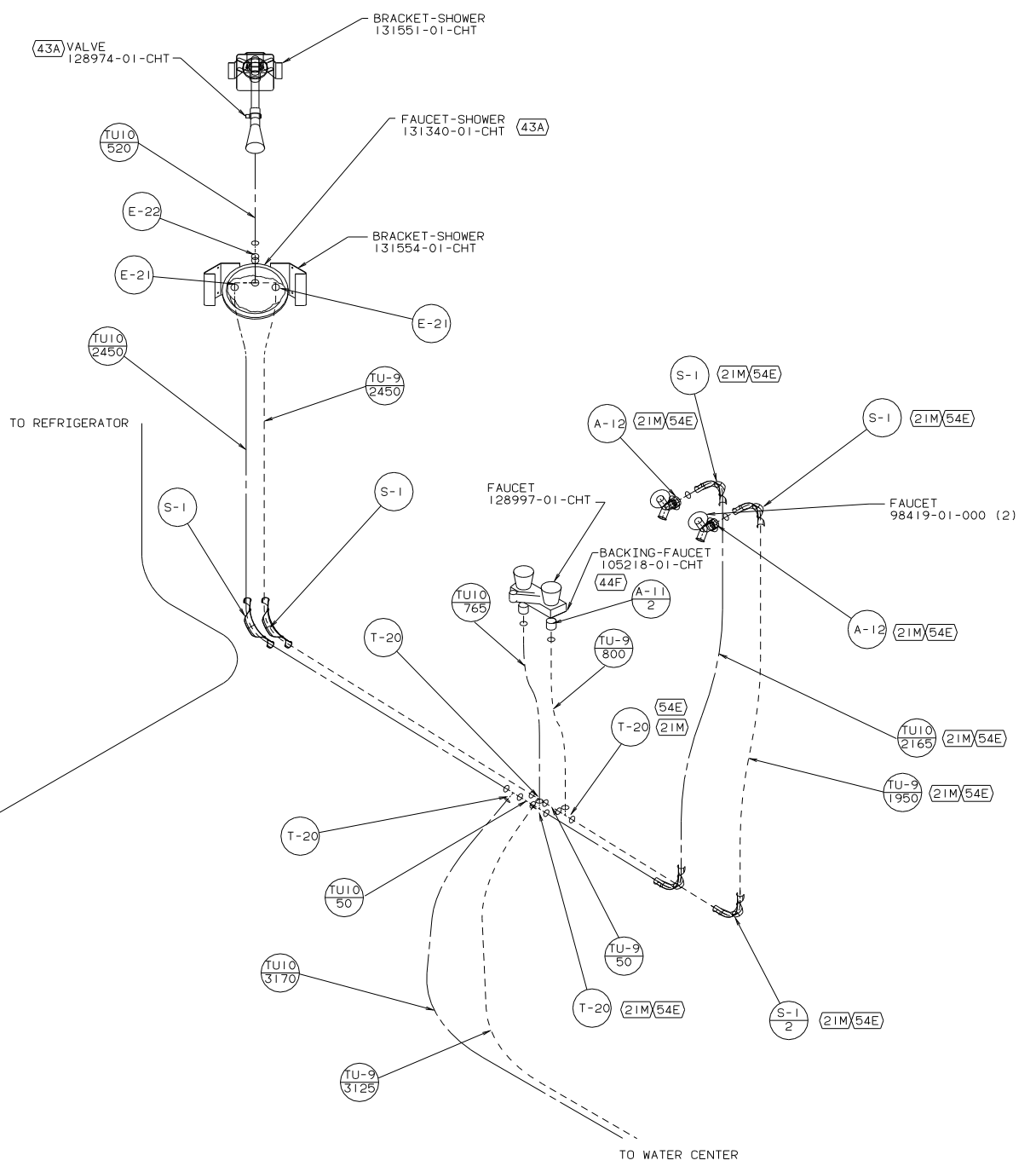
03 P36L

TITLE: WATER SYSTEM INSTL	
DO NOT SCALE DRAWING	SIZE DWG NO 141645
SHEET 2 OF 4	DATE 07/12/02



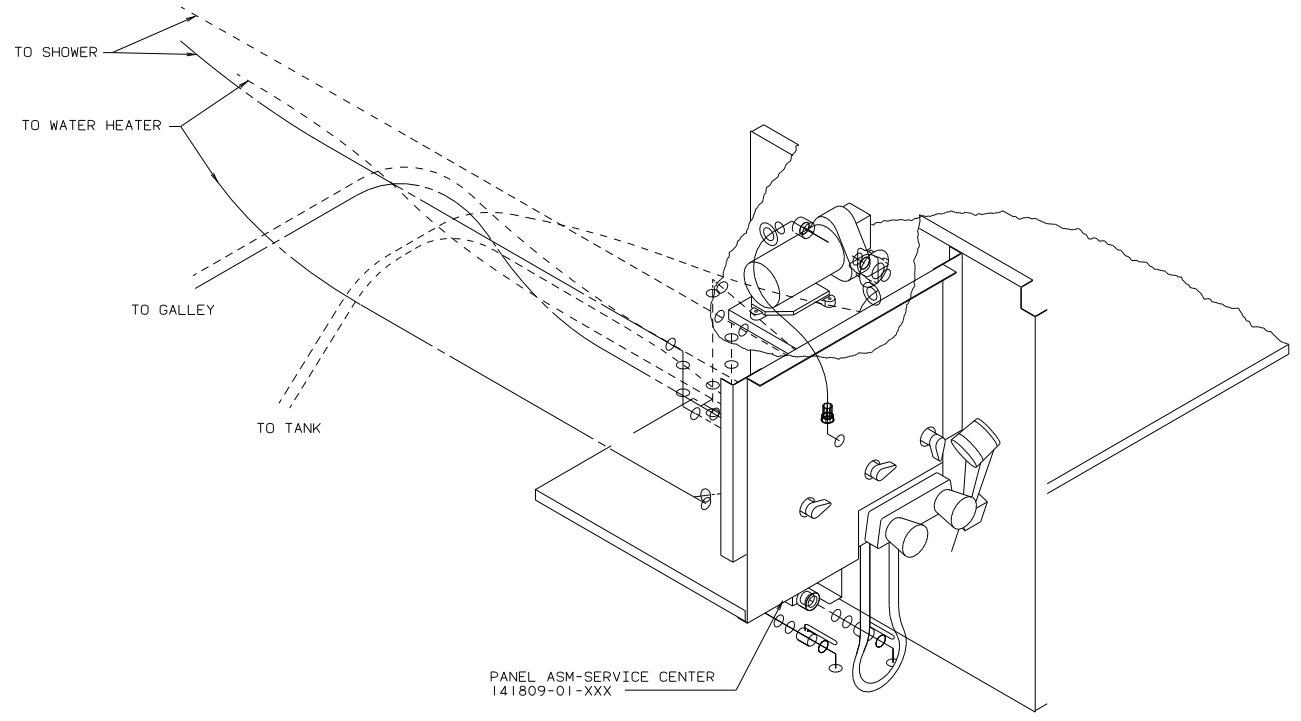
DETAIL FOR (43H)
(9B1)

TO GALLEY



DETAIL C

TITLE: WATER SYSTEM INSTL		DWG NO: 141645	
DO NOT SCALE DRAWING	SIZE: I.e	SHEET 3 OF 4	DATE: 07/12/02



DETAIL DB