

- NOTES:
1. SLOPE OF HORIZONTAL PIPING TO BE 6 PER 305 MM.
 2. SLOPE OF TRAP ARM MUST BE 6 PER 305 MM.
 3. ALL PIPE AND FITTINGS TO BE ASSEMBLED WITH SOLVENT 4020-01-000.
 4. ALL EXTERIOR OPENINGS AROUND PIPE TO BE SEALED WITH 110744-01-000.
 5. SEAL AROUND SHOWER WITH SILICONE.
 6. TRIM P-TRAP EXTENSION TO FIT.
 7. FASTEN TO BOTTOM OF UPPER FLOOR.
 8. VENT PIPE MUST PROJECT 51 MIN AND 63.5 MAX ABOVE ROOF FOR PROPER FIT AND FUNCTION.
 9. SECURE PIPES TO CABINET USING WIRE TIE 108046-02-000 AND SCREW G67-10-12B.
 10. SEE DRAWING 61607-01-000 FOR INSTL OF GROMMETS.
 11. TOILET TO BE TURNED 45° FROM SIDEWALL.

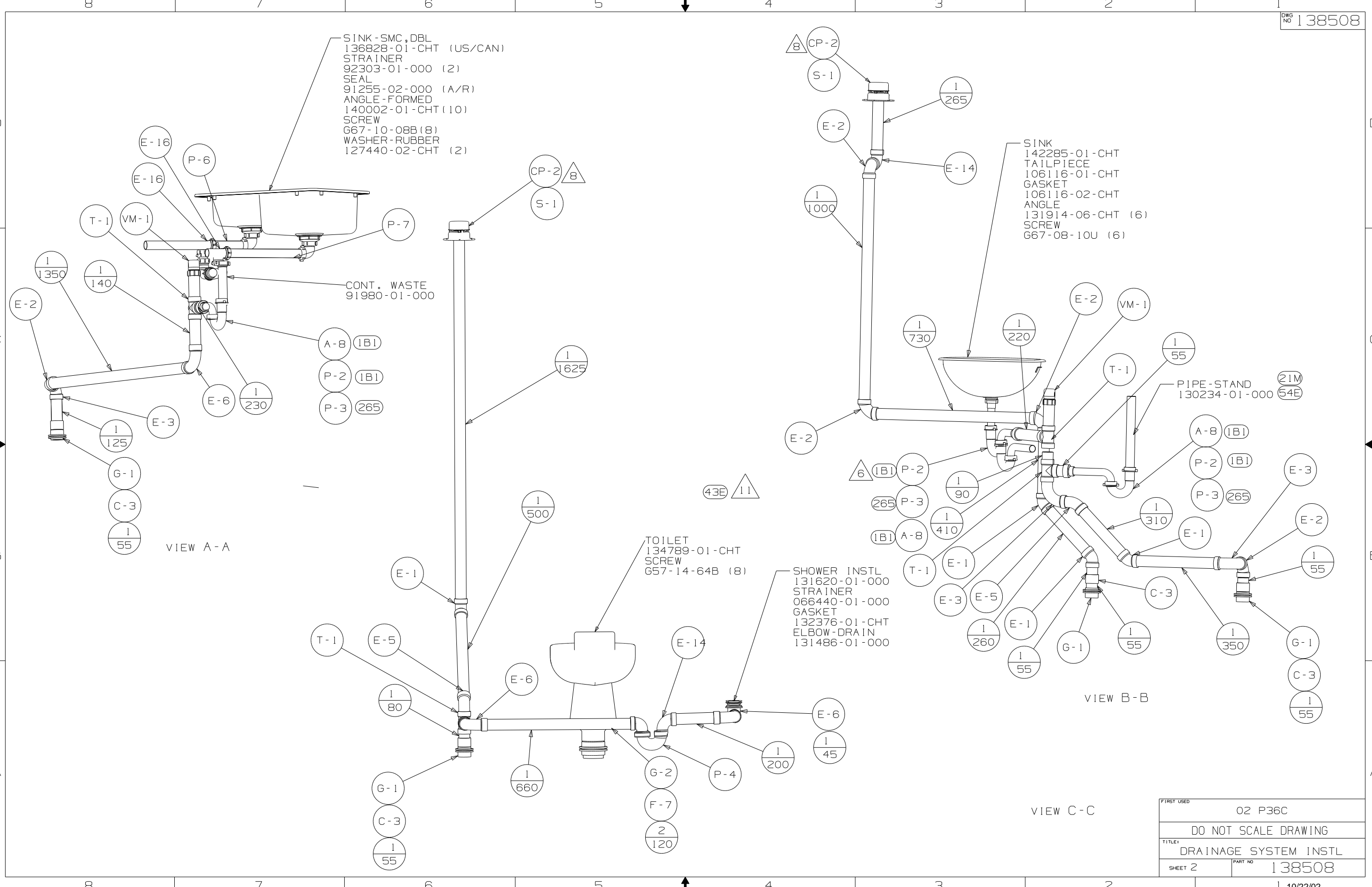
- (54E) WASHER/DRYER
- (21M) WASHER/DRYER PREP
- (43E) TOILET PORCELAIN-ROUND
- (265) CODES/STDS-CSA/CMVSS
- (1B1) CODES/STANDARDS-USA

WINNEBAGO		COPYRIGHT 2002 WINNEBAGO INDUSTRIES, INC.	
DFT-016	ORIG. DATE	ALL DIMENSIONS ARE IN MILLIMETERS	
CHKR		MATERIAL:	
P.E.		UNSPECIFIED TOLERANCES ARE:	
M.E.		WHOLE DIM (X)	: 7
DSNR		ONE-PLACE (X.X)	:
		TWO-PLACE (X.XX)	:
		ANGLE	:
		THIRD ANGLE PROJECTION	
DO NOT SCALE DRAWING			
TITLE: DRAINAGE SYSTEM INSTL			
SHEET 1 OF 3	PART NO	138508	
REF: 135476 1 10/22/02			

(X-X)
FOR
DRAINAGE
CALLOUTS
SEE DWG NO
116229-01-000

DETAIL D

FRONT OF
VEHICLE



SINK-SMC, DBL
 136828-01-CHT (US/CAN)
 STRAINER
 92303-01-000 (2)
 SEAL
 91255-02-000 (A/R)
 ANGLE-FORMED
 140002-01-CHT (10)
 SCREW
 G67-10-08B (8)
 WASHER-RUBBER
 127440-02-CHT (2)

SINK
 142285-01-CHT
 TAILPIECE
 106116-01-CHT
 GASKET
 106116-02-CHT
 ANGLE
 131914-06-CHT (6)
 SCREW
 G67-08-10U (6)

TOILET
 134789-01-CHT
 SCREW
 G57-14-64B (8)

SHOWER INSTL
 131620-01-000
 STRAINER
 066440-01-000
 GASKET
 132376-01-CHT
 ELBOW-DRAIN
 131486-01-000

CONT. WASTE
 91980-01-000

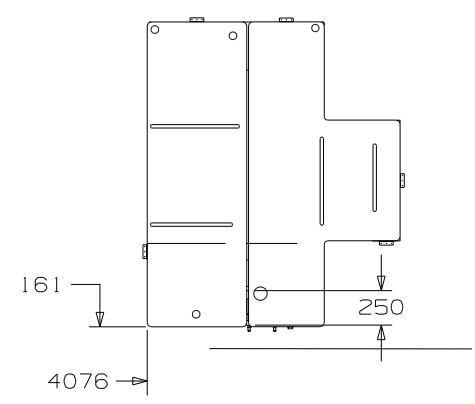
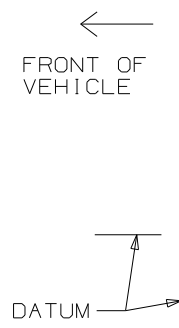
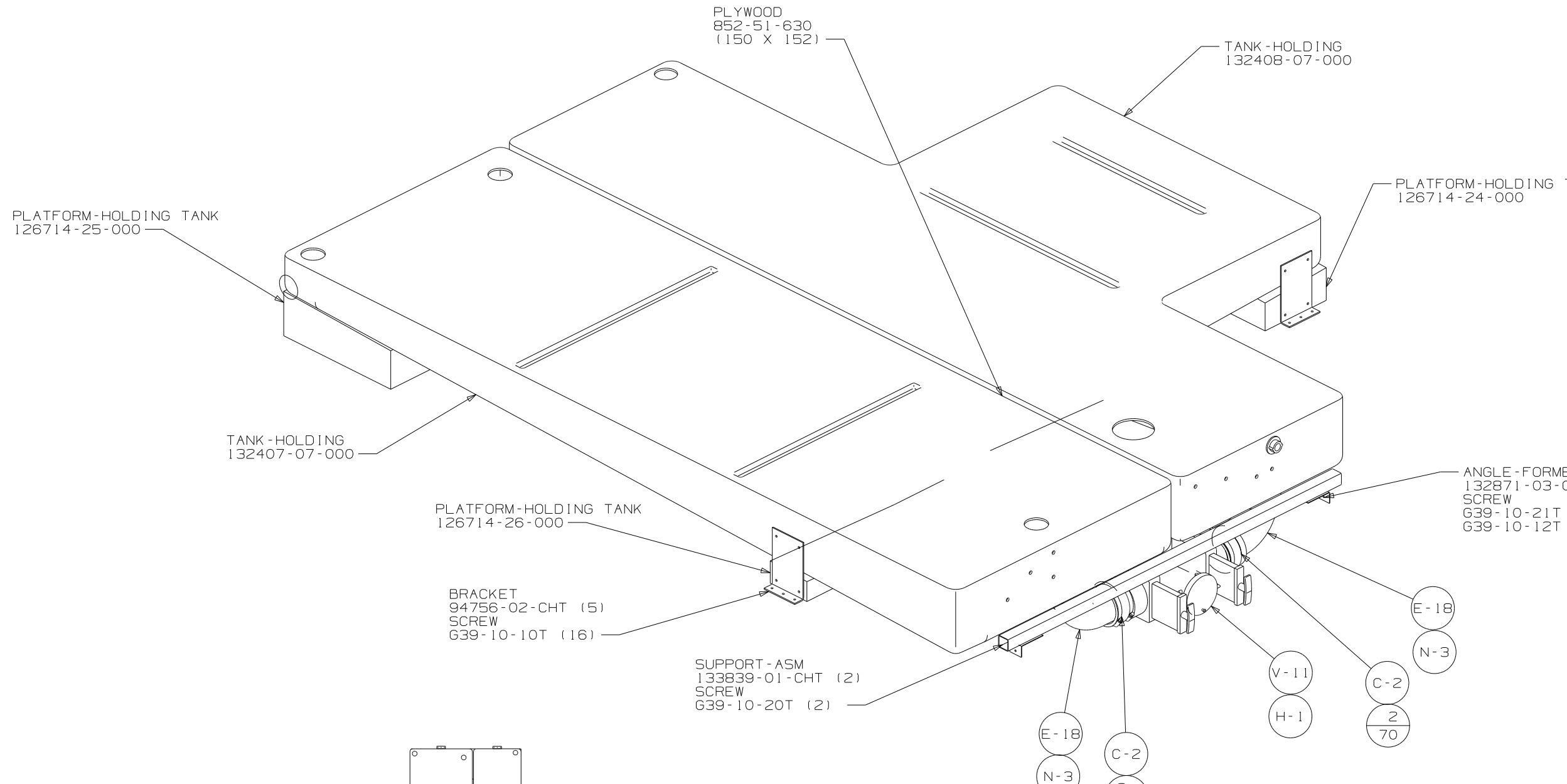
PIPE-STAND
 130234-01-000

VIEW A-A

VIEW B-B

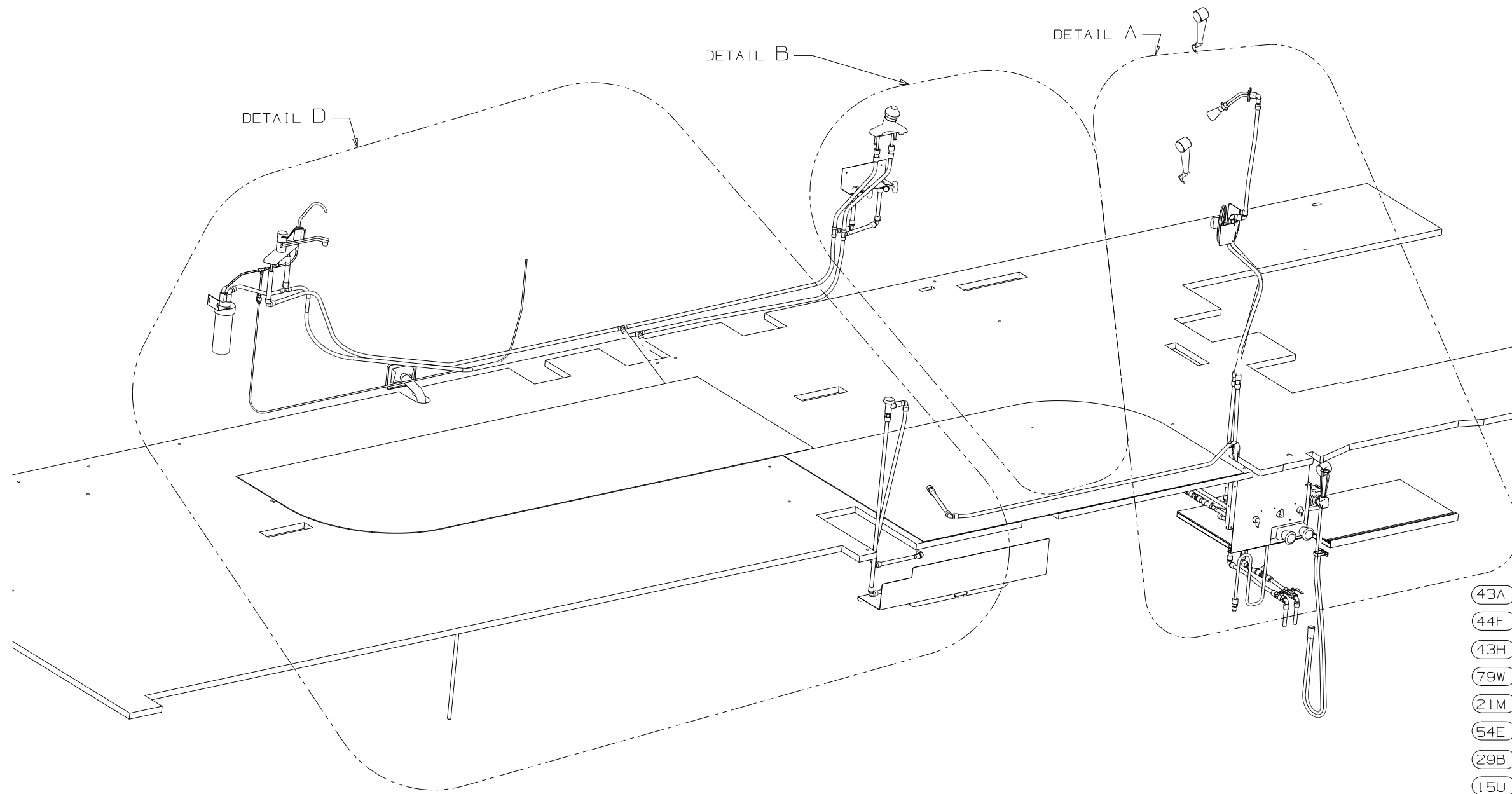
VIEW C-C

FIRST USED	02 P36C
DO NOT SCALE DRAWING	
TITLE	DRAINAGE SYSTEM INSTL
SHEET 2	PART NO 138508



DETAIL D

FIRST USED	02 P36C
TITLE	DO NOT SCALE DRAWING
	DRAINAGE SYSTEM INSTL
SHEET 3	PART NO 138508

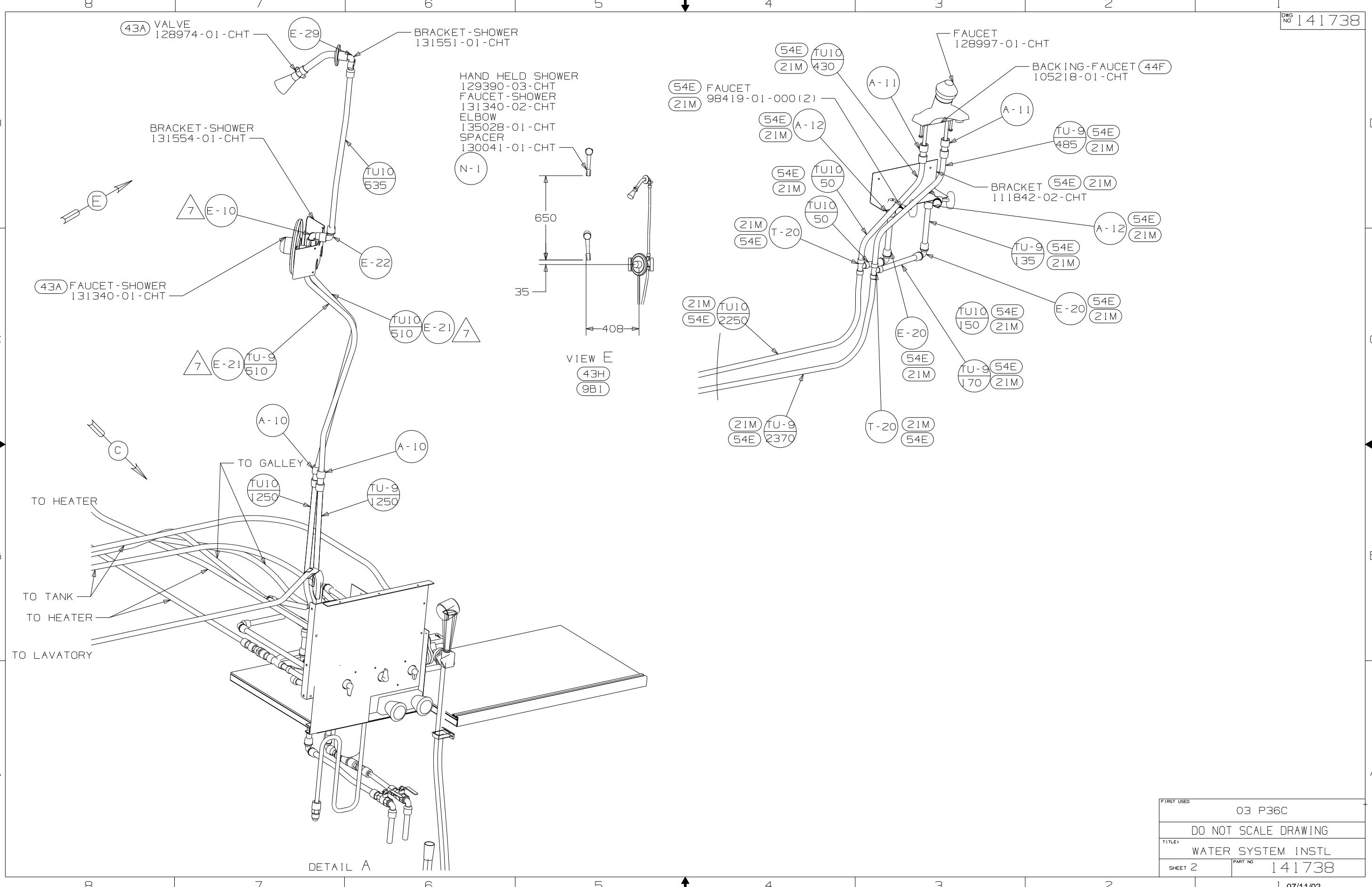


- (43A) SHOWER HEAD FIXED
- (44F) BATH COUNTERTOP SOLID SURFACE
- (43H) SHOWER HEAD-HAND HELD
- (79W) 4-DOOR REFRIG
- (21M) WASHER/DRYER PREP
- (54E) WASHER DRYER
- (29B) WATER PURIFIER
- (15U) REFRIGERATOR/FRZR W/ICEMAKER

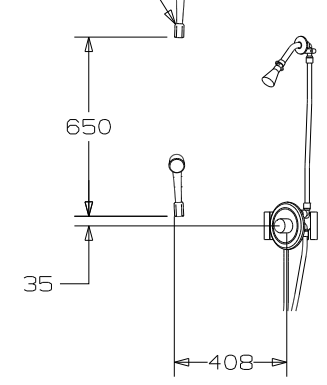
- NOTES:
1. PLASTIC FITTINGS TO BE SEALED WITH SEALANT 84456-01-000
 2. TUBING TO BE INSTALLED WITH SUFFICIENT SLOPE TO PROVIDE DRAINAGE TO NEAREST VALVE.
 3. ALL TUBING TO BE SECURED AT 1200 INTERVALS MAXIMUM WITH CLAMP 10495-01-000 OR CLIP 9151-01-000 AND SCREW G67-10-12B.
 4. FLUSHING SYSTEM REQUIRES 125697-06-000 INSTRUCTION SHEET.
 5. ADD TEFLON TAPE 10405-02-000 TO FITTING.
 6. ADD TEFLON TAPE 10405-03-000 TO FITTING.
 7. ADD TEFLON TAPE 10405-01-000 TO FITTING.
 8. APPLY DECAL INSIDE OF UPPER SHOWER HEAD HOLDER TO RETAIN HAND SHOWER UNIT INSIDE OF HOLDER.

WINNEBAGO		COPYRIGHT 2002 WINNEBAGO INDUSTRIES, INC.	
DFTR	ORIG. DATE	ALL DIMENSIONS ARE IN MILLIMETERS	
CHKR		FIRST USED	
P.E.		03 P36C	
M.E.		UNSPECIFIED TOLERANCES ARE:	
DSNR		MATERIAL:	
		WHOLE DIM (X) :	7
		ONE-PLACE (X.X) :	
		TWO-PLACE (X.XX) :	
		ANGLE :	
THIRD ANGLE PROJECTION		DO NOT SCALE DRAWING	
TITLE: WATER SYSTEM INSTL			
SHEET 1 OF 4		PART NO 141738	

X-X
FOR WATER
CALLOUTS
SEE DWG NO.
116230-01-000



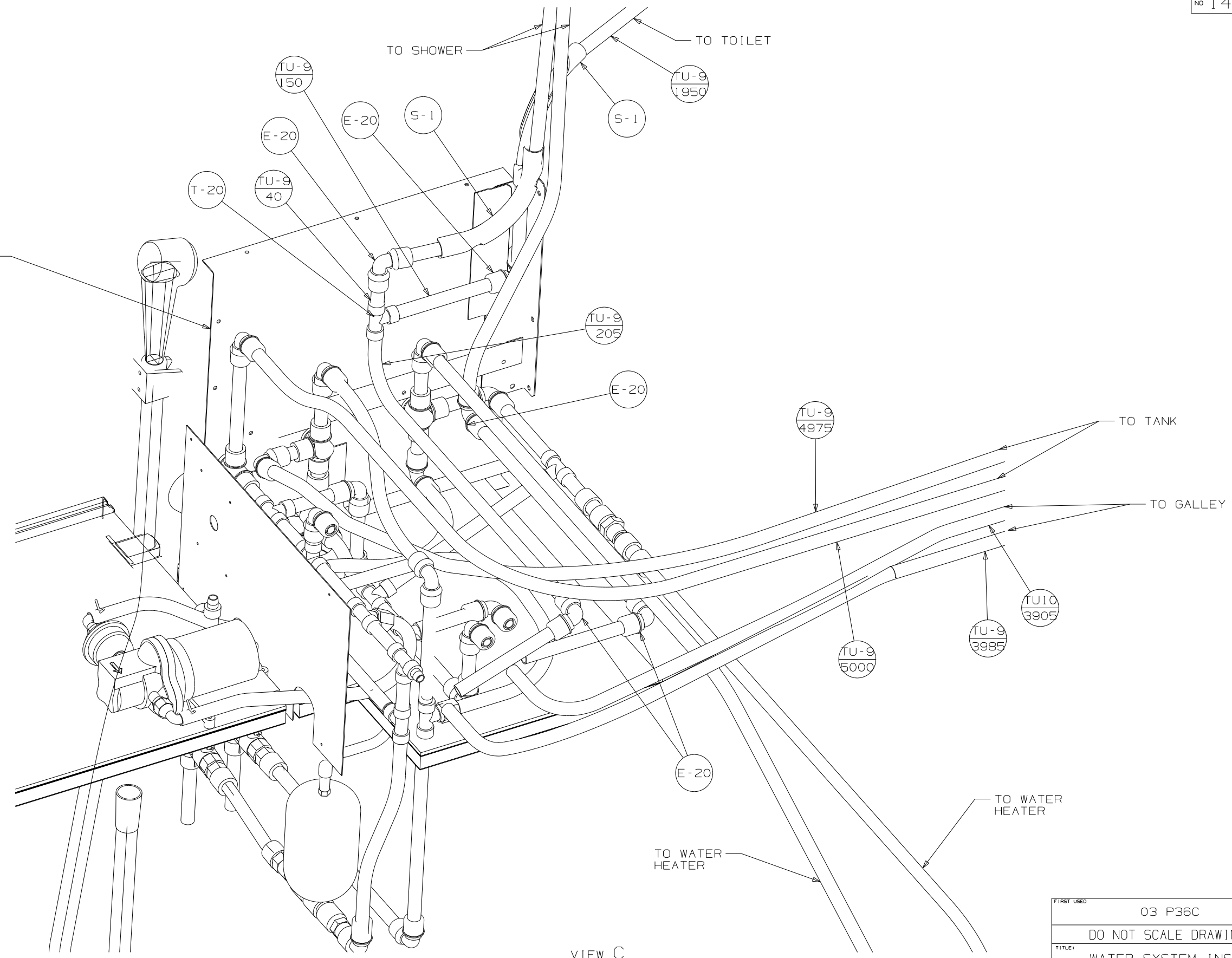
- HAND HELD SHOWER 129390-03-CHT
- FAUCET - SHOWER 131340-02-CHT
- ELBOW 135028-01-CHT
- SPACER 130041-01-CHT



DETAIL A

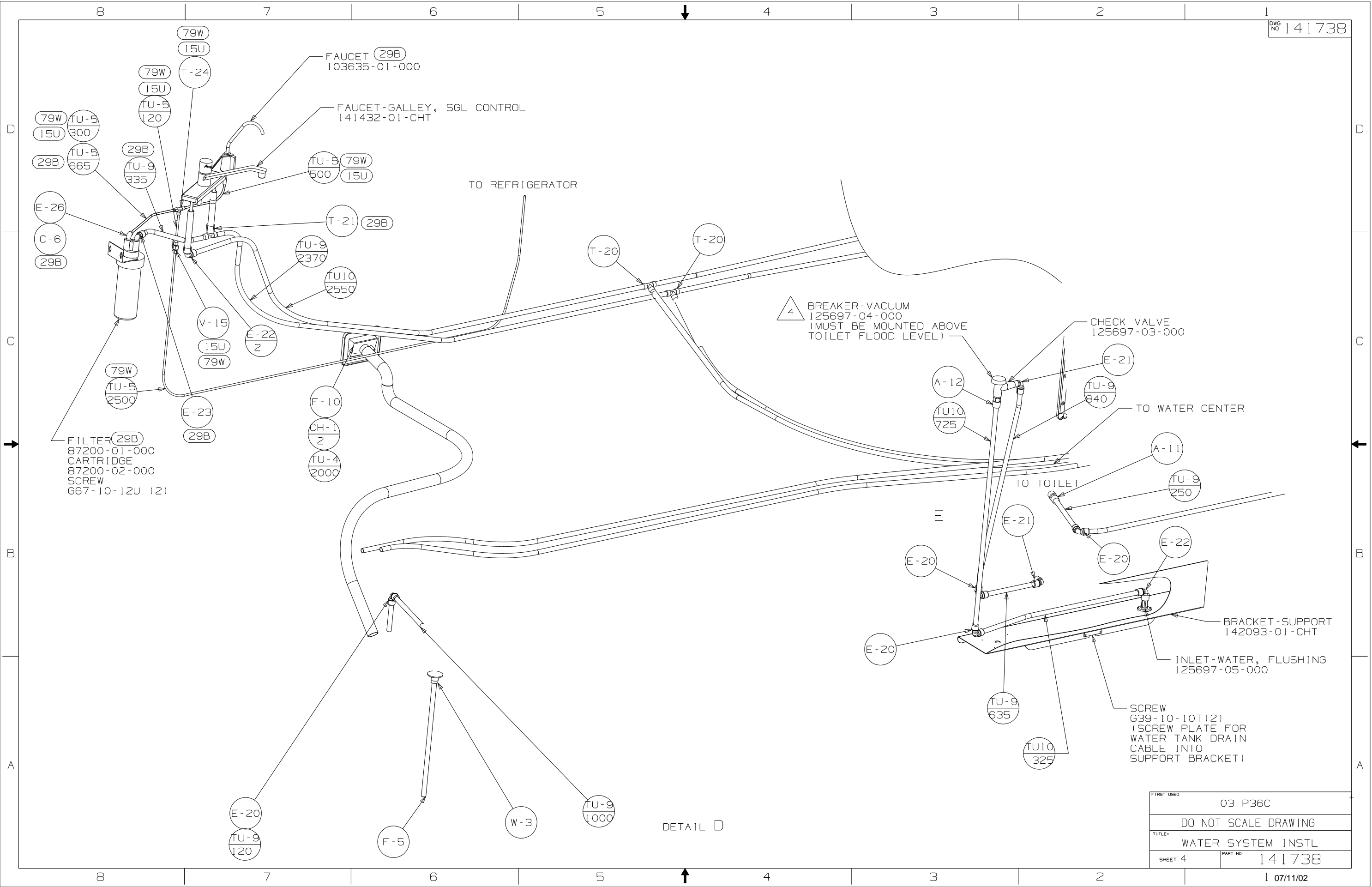
FIRST USED	03 P36C
DO NOT SCALE DRAWING	
TITLE	WATER SYSTEM INSTL
SHEET 2	PART NO 141738

PANEL ASM-WATER CENTER
141809-01-XXX



VIEW C

FIRST USED	03 P36C
TITLE	DO NOT SCALE DRAWING
SHEET 3	PART NO 141738



FAUCET (29B)
103635-01-000

FAUCET-GALLEY, SGL CONTROL
141432-01-CHT

TO REFRIGERATOR

4 BREAKER-VACUUM
125697-04-000
(MUST BE MOUNTED ABOVE
TOILET FLOOD LEVEL)

CHECK VALVE
125697-03-000

TO WATER CENTER

TO TOILET

BRACKET-SUPPORT
142093-01-CHT

INLET-WATER, FLUSHING
125697-05-000

SCREW
G39-10-10T(2)
(SCREW PLATE FOR
WATER TANK DRAIN
CABLE INTO
SUPPORT BRACKET)

FILTER (29B)
87200-01-000
CARTRIDGE
87200-02-000
SCREW
G67-10-12U (2)

DETAIL D

FIRST USED	03 P36C
TITLE	DO NOT SCALE DRAWING
TITLE	WATER SYSTEM INSTL
SHEET 4	PART NO 141738