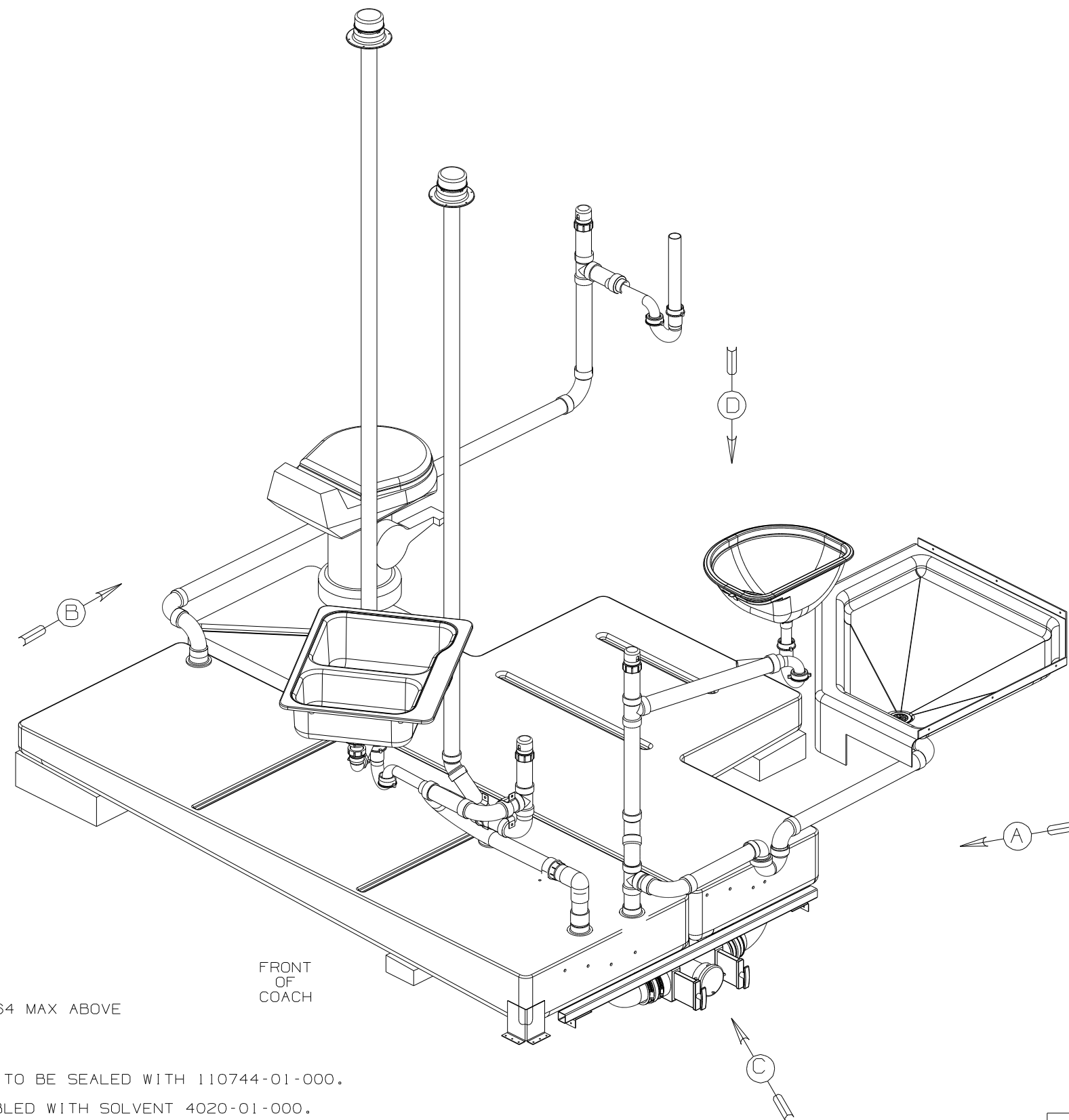


DWG NO	----
142413-01	(WIN)
142413-02	(WDL)
142413-03	(ITA)

RELEASE	REV DATE	DWG NO
A		142413
REV ZONE	REVISION RECORD	DATE



CHANGES TO THIS
DRAWING MAY AFFECT
DRAWING 143985

- (WIN) WINNEBAGO ONLY
- (ITA) ITASCA ONLY
- (WDL) WINNEBAGO DELUXE UPGRADE
- (IB1) CODES/STANDARDS USA
- (265) CODES/STANDARDS-CSA/CMVSS
- (43M) TOILET PORCELAIN-ELONGATED
- (43O) TOILET-PORCELAIN
- (43E) TOILET PORCELAIN-ROUND

- 6 VENT PIPE MUST PROJECT 51 MIN AND 64 MAX ABOVE ROOF FOR PROPER FIT AND FUNCTION.
5. SEAL AROUND SHOWER WITH SILICONE.
 4. ALL EXTERIOR OPENINGS AROUND PIPE TO BE SEALED WITH 110744-01-000.
 3. ALL PIPE AND FITTINGS TO BE ASSEMBLED WITH SOLVENT 4020-01-000.
 2. SLOPE OF TRAP ARM MUST BE 6 PER 305 mm.
 1. SLOPE OF HORIZONTAL PIPING TO BE 6 PER 305 mm.

FRONT
OF
COACH

(X-X)
FOR
DRAINAGE
CALLOUTS
SEE DWG NO
116229-01-000

WINNEBAGO		COPYRIGHT 2002 WINNEBAGO INDUSTRIES, INC.	
DFTR	ORIG. DATE		
CHKR	ALL DIMENSIONS ARE IN MILLIMETERS		
P.E.			
M.E.	FIRST USED		
DSNR	03 P34H/HD		
UNSPECIFIED TOLERANCES ARE:		MATERIAL:	
WHOLE DIM (X)	:	7	
ONE-PLACE (X.X)	:		
TWO-PLACE (X.XX)	:		
ANGLE	:		
THIRD ANGLE PROJECTION			
DO NOT SCALE DRAWING			
TITLE: DRAINAGE SYSTEM INSTL			
SHEET 1 OF 3	PART NO	142413	

NOTES:

- (WIN) SINK - GALLEY, DOUBLE
136828-01-CHT
- (ITA) (WDL) 134851-01-CHT
- STRAINER
92303-01-000 (2)
- RETAINER
ANGLE-FORMED
140002-01-CHT (10)
- SCREW
G67-10-08B (8)
- WASHER-RUBBER
127440-02-CHT (2)

- (WIN) CONTINUOUS WASTE
91980-01-000
- (WDL) (ITA) W-2

- CLAMP
8406-01-000 (3)
- SCREW
49465-17-000 (6)

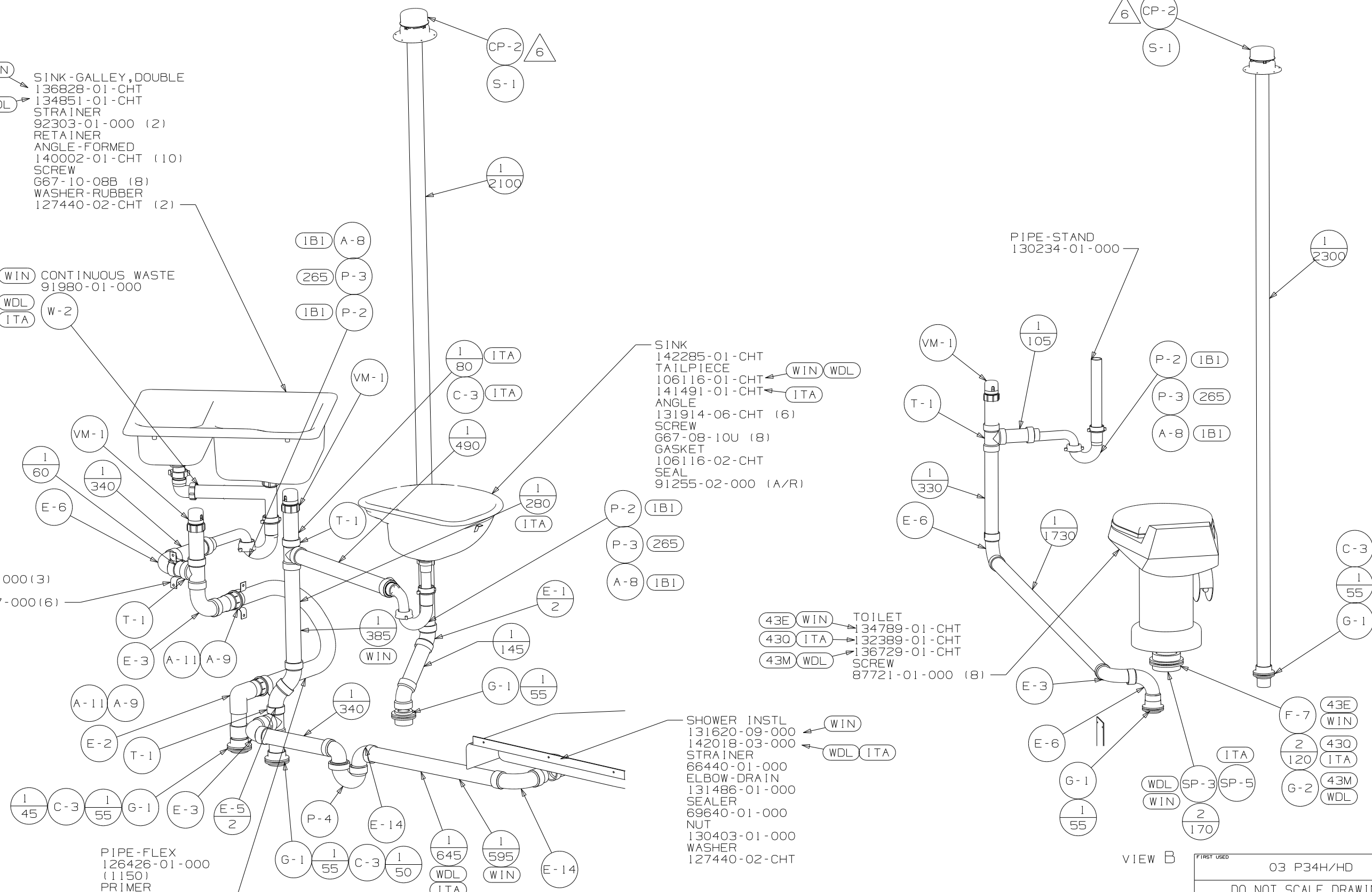
- PIPE-FLEX
126426-01-000
(1150)
- PRIMER
126427-02-000
- CEMENT
126427-01-000

- SINK
142285-01-CHT
- TAILPIECE
106116-01-CHT (WIN) (WDL)
- 141491-01-CHT (ITA)
- ANGLE
131914-06-CHT (6)
- SCREW
G67-08-10U (8)
- GASKET
106116-02-CHT
- SEAL
91255-02-000 (A/R)

- (43E) (WIN) TOILET
134789-01-CHT
- (43Q) (ITA) 132389-01-CHT
- (43M) (WDL) 136729-01-CHT
- SCREW
87721-01-000 (8)

- (WIN) SHOWER INSTL
131620-09-000
- (WDL) (ITA) 142018-03-000
- STRAINER
66440-01-000
- ELBOW-DRAIN
131486-01-000
- SEALER
69640-01-000
- NUT
130403-01-000
- WASHER
127440-02-CHT

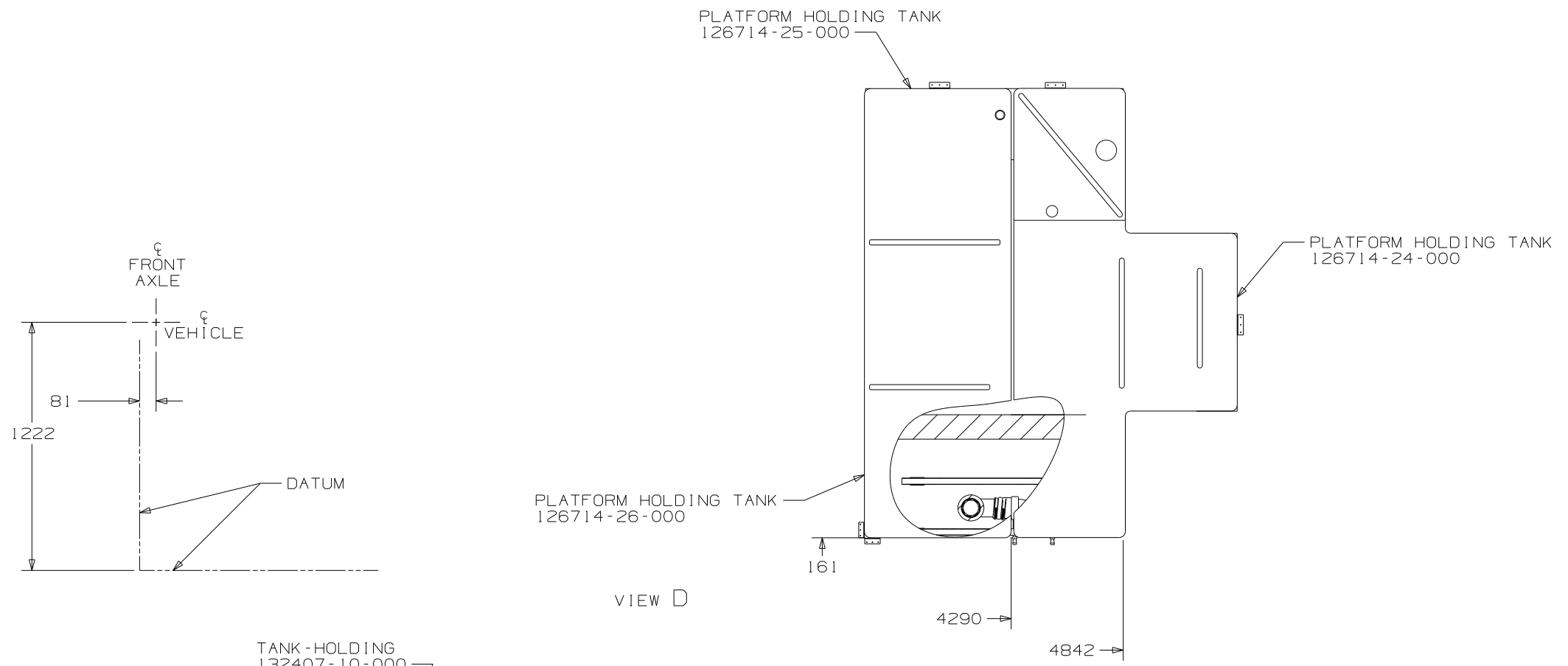
- PIPE-STAND
130234-01-000



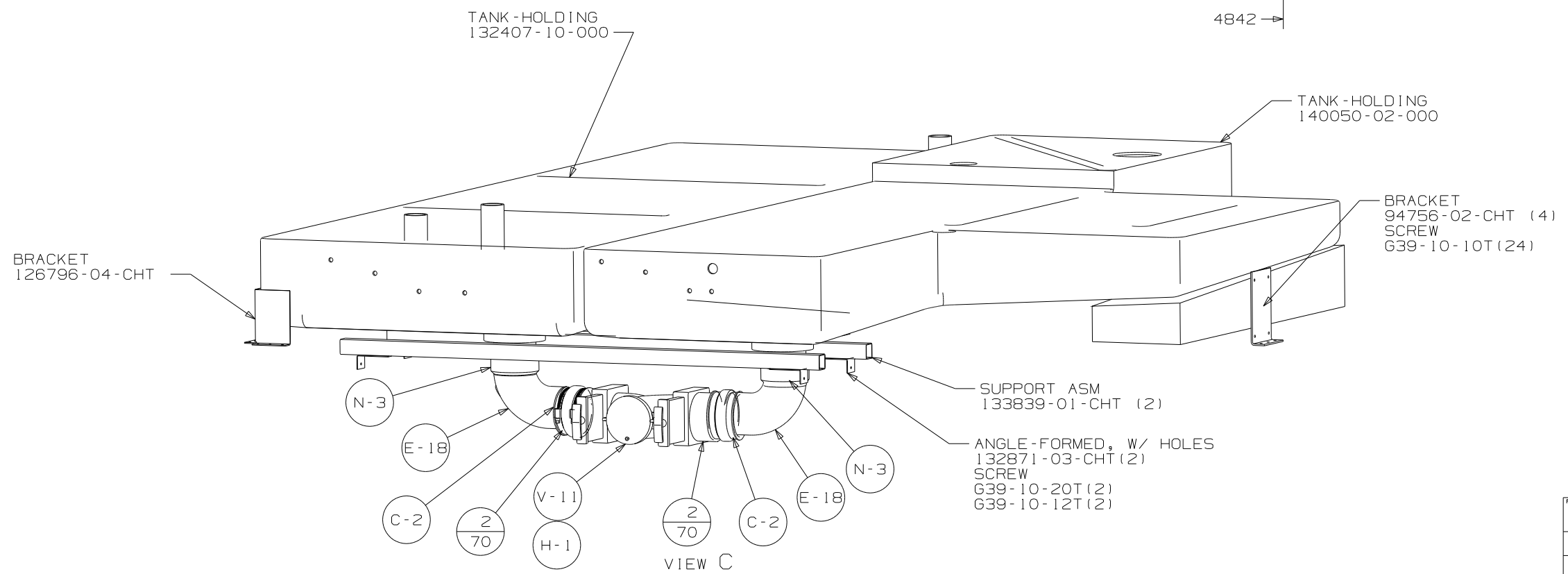
VIEW A

VIEW B

FIRST USED	03 P34H/HD
TITLE	DO NOT SCALE DRAWING
	DRAINAGE SYSTEM INSTL
SHEET 2	PART NO 142413



VIEW D

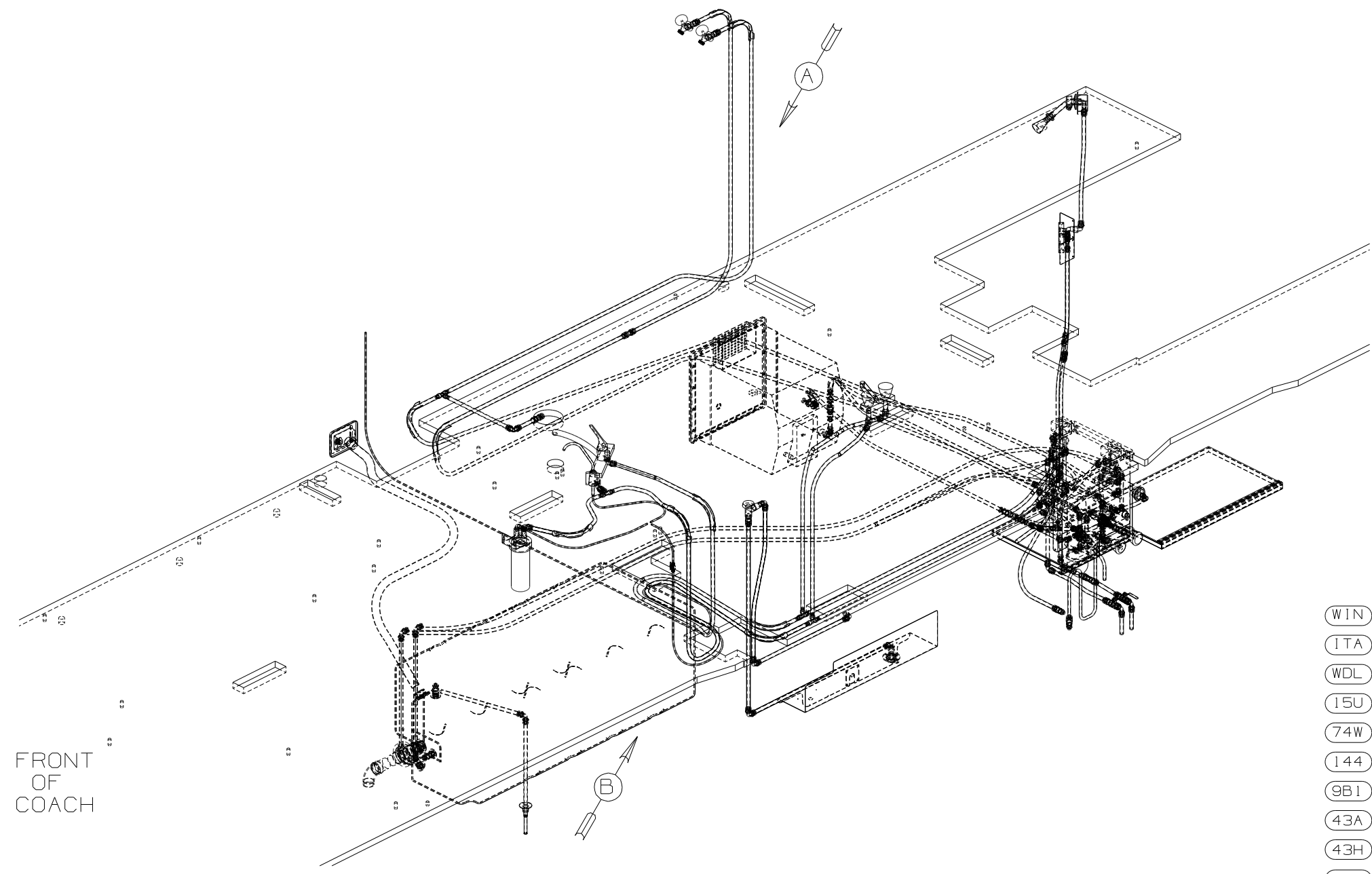


VIEW C

FIRST USED	03 P34H/HD
TITLE	DO NOT SCALE DRAWING
	DRAINAGE SYSTEM INSTL
SHEET 3	PART NO 142413

DWG NO	----
142414-01	(WIN)
142414-02	(WDL)
142414-03	(ITA)

RELEASE	REV DATE	DWG NO	142414
REV ZONE	REVISION RECORD	DATE	DFTR-ORIG



FRONT
OF
COACH

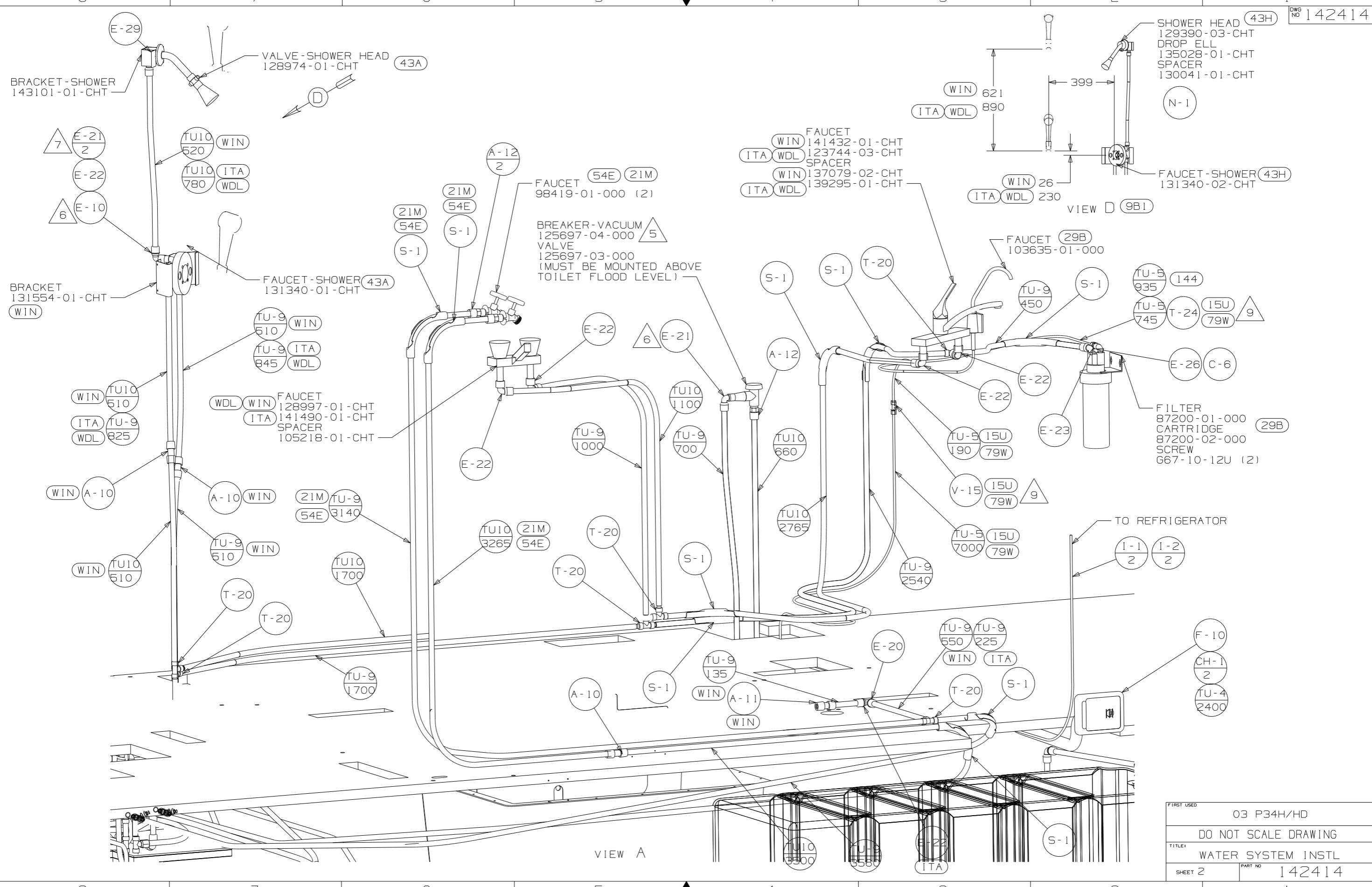
- (WIN) WINNEBAGO ONLY
- (ITA) ITASCA ONLY
- (WDL) WINNEBAGO DELUXE UPGRADE
- (15U) REFRIGERATOR/FRZR W/ICEMAKER
- (74W) REFRIGERATOR-4 DOOR
- (144) REFRIGERATOR-DOUBLE DOOR
- (9B1) SHOWER PACKAGE
- (43A) SHOWER HEAD-FIXED
- (43H) SHOWER HEAD-HAND HELD
- (96B) WATER PURIFIER

- 8 WRAP WITH TEFLON TAPE 10405-01-000 TO FITTING.
 - 7 WRAP WITH TEFLON TAPE 10405-03-000 TO FITTING.
 - 6 WRAP WITH TEFLON TAPE 10405-02-000 TO FITTING.
 - 5 FLUSHING SYSTEM REQUIRES 125697-06-000 INSTRUCTION SHEET.
 - 4 CLAMPS MUST BE ON BARBS.
3. ALL TUBING TO BE SECURED AT 1200 INTERVALS MAXIMUM WITH CLAMP 10495-01-000 OR CLIP 9151-01-000 AND SCREW 667-10-12B.
 2. TUBING TO BE INSTALLED WITH SUFFICIENT SLOPE TO PROVIDE DRAINAGE TO NEAREST VALVE.
 1. PLASTIC FITTINGS TO BE SEALED WITH SEALANT 84456-01-000.

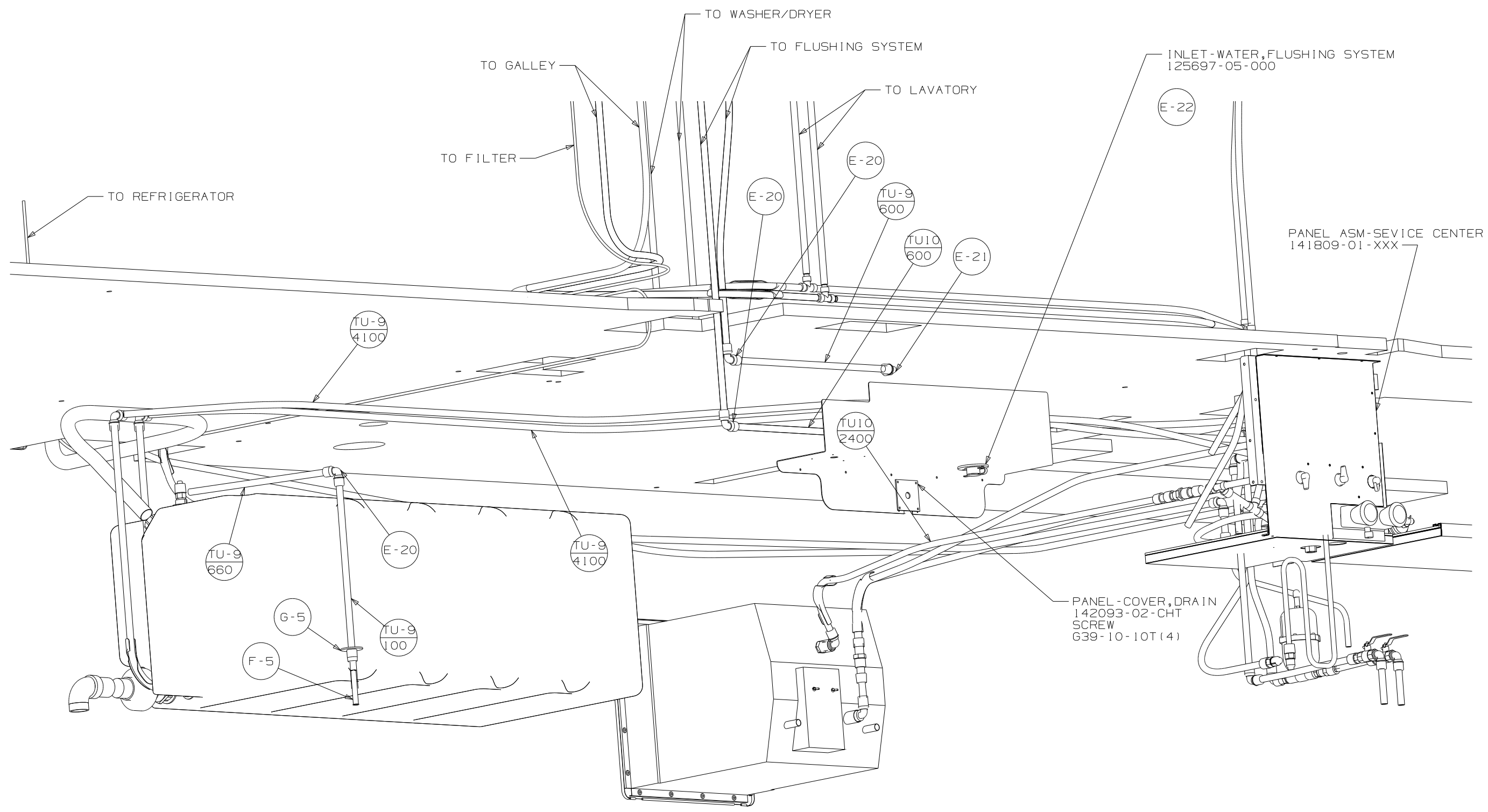
NOTES:

(X-X)
FOR
WATER
CALLOUTS
SEE DWG NO
116230-01-000

WINNEBAGO		COPYRIGHT 2002 WINNEBAGO INDUSTRIES, INC.	
DFTR	ORIG. DATE	ALL DIMENSIONS ARE IN MILLIMETERS	
CHKR		FIRST USED	
P.E.		03 P34H/HD	
M.E.		UNSPECIFIED TOLERANCES ARE:	
DSNR		MATERIAL:	
		WHOLE DIM (X)	: 7
		ONE-PLACE (X.X)	:
		TWO-PLACE (X.XX)	:
		ANGLE	:
THIRD ANGLE PROJECTION		DO NOT SCALE DRAWING	
TITLE: WATER SYSTEM INSTL			
SHEET 1 OF 3		PART NO 142414	
REF: 139225 1 07/12/02			



FIRST USED	03 P34H/HD
DO NOT SCALE DRAWING	
TITLE	WATER SYSTEM INSTL
SHEET 2	PART NO 142414



VIEW B

FIRST USED	03 P34H/HD
TITLE:	DO NOT SCALE DRAWING
SHEET 3	PART NO 142414