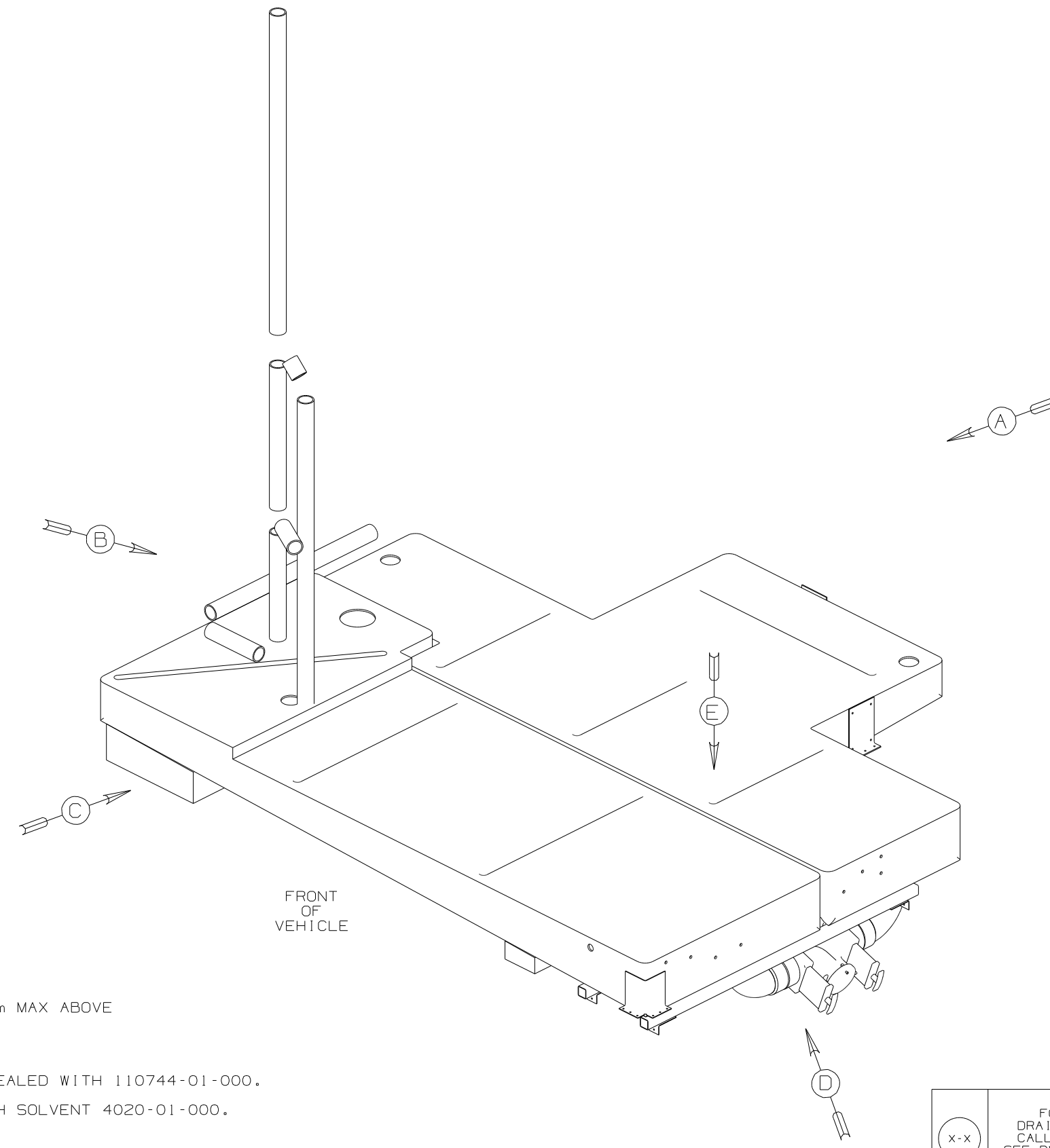


DWG NO	----
143501-01	(WIN)
143501-02	(WDL)
143501-03	(ITA)

RELEASE	REV DATE	DWG NO	143501
A			
REV ZONE	REVISION RECORD	DATE	DFTR-ORIG



- (WIN) WINNEBAGO ONLY
- (ITA) ITASCA ONLY
- (WDL) WINNEBAGO DELUXE UPGRADE
- (43Q) TOILET-PORCELAIN
- (43M) TOILET-PORCELAIN-ELONGATE
- (44A) COUNTERTOP-LAMINATE-BATH
- (44F) COUNTERTOP-SOL SURFACE-BATH
- (43E) TOILET PORCELAIN-ROUND
- (265) CODES/STDS-CSA/CVSS
- (1B1) CODES/STANDARS-USA

- NOTES:
7. TRIM TO FIT.
 6. VENT PIPE MUST PROJECT 51 mm MIN AND 64 mm MAX ABOVE ROOF FOR PROPER FIT.
 5. SEAL AROUND SHOWER WITH SILICONE.
 4. ALL EXTERIOR OPENINGS AROUND PIPE TO BE SEALED WITH 110744-01-000.
 3. ALL PIPE AND FITTINGS TO BE ASSEMBLED WITH SOLVENT 4020-01-000.
 2. SLOPE OF TRAP ARM MUST BE 6 PER 305 mm.
 1. SLOPE OF HORIZONTAL PIPING TO BE 6 PER 305 mm.

(X-X)
FOR DRAINAGE CALLOUTS SEE DWG NO. 116229-01-000

WINNEBAGO		COPYRIGHT 2003 WINNEBAGO INDUSTRIES, INC.	
DFTR	ORIG. DATE	ALL DIMENSIONS ARE IN MILLIMETERS	
CHKR		FIRST USED	
P.E.		03 P32T	
M.E.		UNSPECIFIED TOLERANCES ARE:	
DSNR		MATERIAL:	
		WHOLE DIM (X) :	7
		ONE-PLACE (X.X) :	
		TWO-PLACE (X.XX) :	
		ANGLE :	
		THIRD ANGLE PROJECTION	
DO NOT SCALE DRAWING			
TITLE: DRAINAGE SYSTEM INSTL			
SHEET 1 OF 3	PART NO	143501	
REF: 138948 02/27/03			

SINK
 142285-01-CHT
 ANGLE
 131914-06-CHT (6)
 TAILPIECE
 106116-1-CHT (WIN) (WDL)
 WASTE ASM
 141491-01-CHT (ITA)
 GASKET
 106116-02-CHT
 SCREW
 G67-08-10U (6)
 SEAL (A/R)

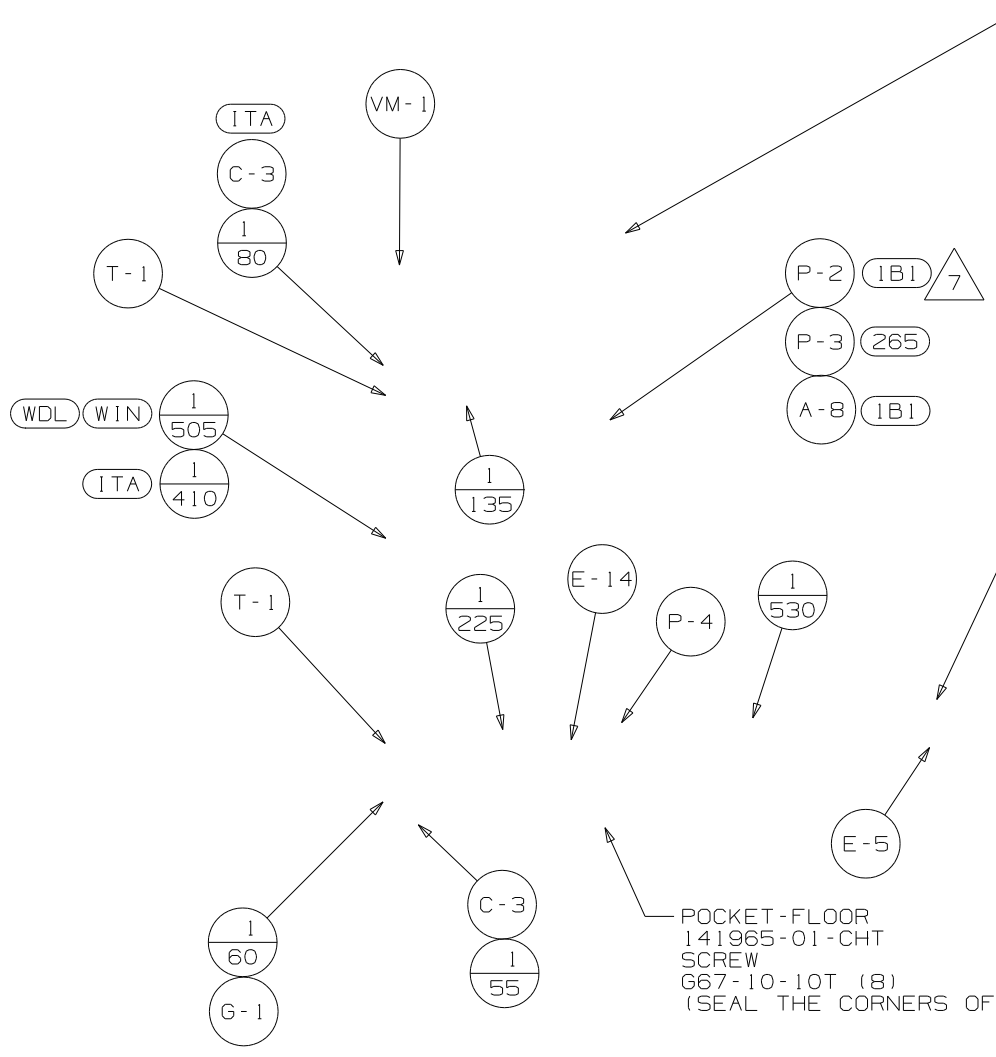
SHOWER INSTL
 131620-15-000 (WIN)
 142018-02-000 (WDL) (ITA)
 STRAINER
 66440-01-000
 GASKET
 132376-01-CHT
 ELBOW-DRAIN
 131486-01-000
 SEALER
 69640-01-000
 NUT
 130403-01-000
 WASHER
 127440-02-CHT

POCKET-FLOOR
 141965-01-CHT
 SCREW
 G67-10-10T (8)
 (SEAL THE CORNERS OF THE POCKET)

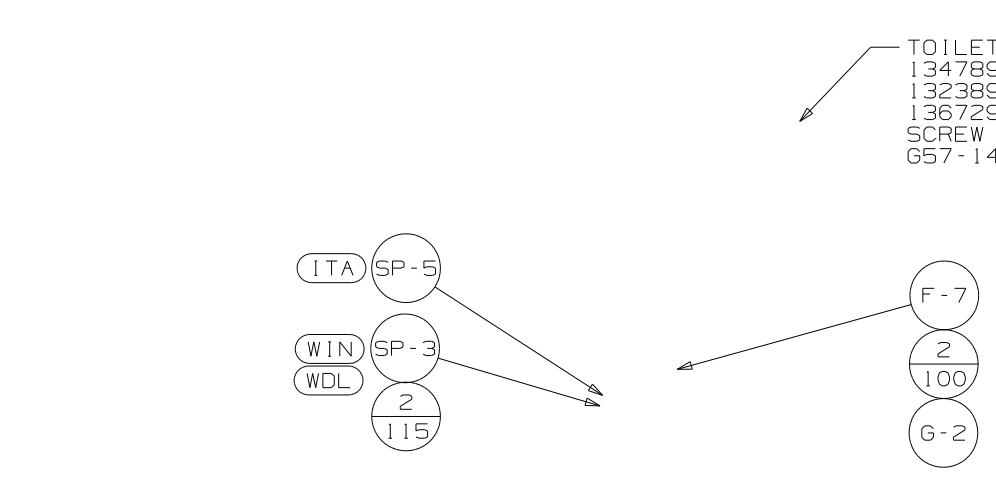
TOILET
 134789-01-CHT (43E) (WIN)
 132389-01-CHT (43Q) (ITA)
 136729-01-CHT (43M) (WDL)
 SCREW
 G57-14-64B (8)

SINK-GALLEY, DOUBLE
 136828-01-CHT (WIN)
 134851-01-CHT (WDL) (ITA)
 STRAINER
 92303-01-000 (2)
 RETAINER
 ANGLE-FORMED
 140002-01-CHT (10)
 SCREW
 G67-10-08B (8)
 WASHER-RUBBER
 127440-02-CHT (2)

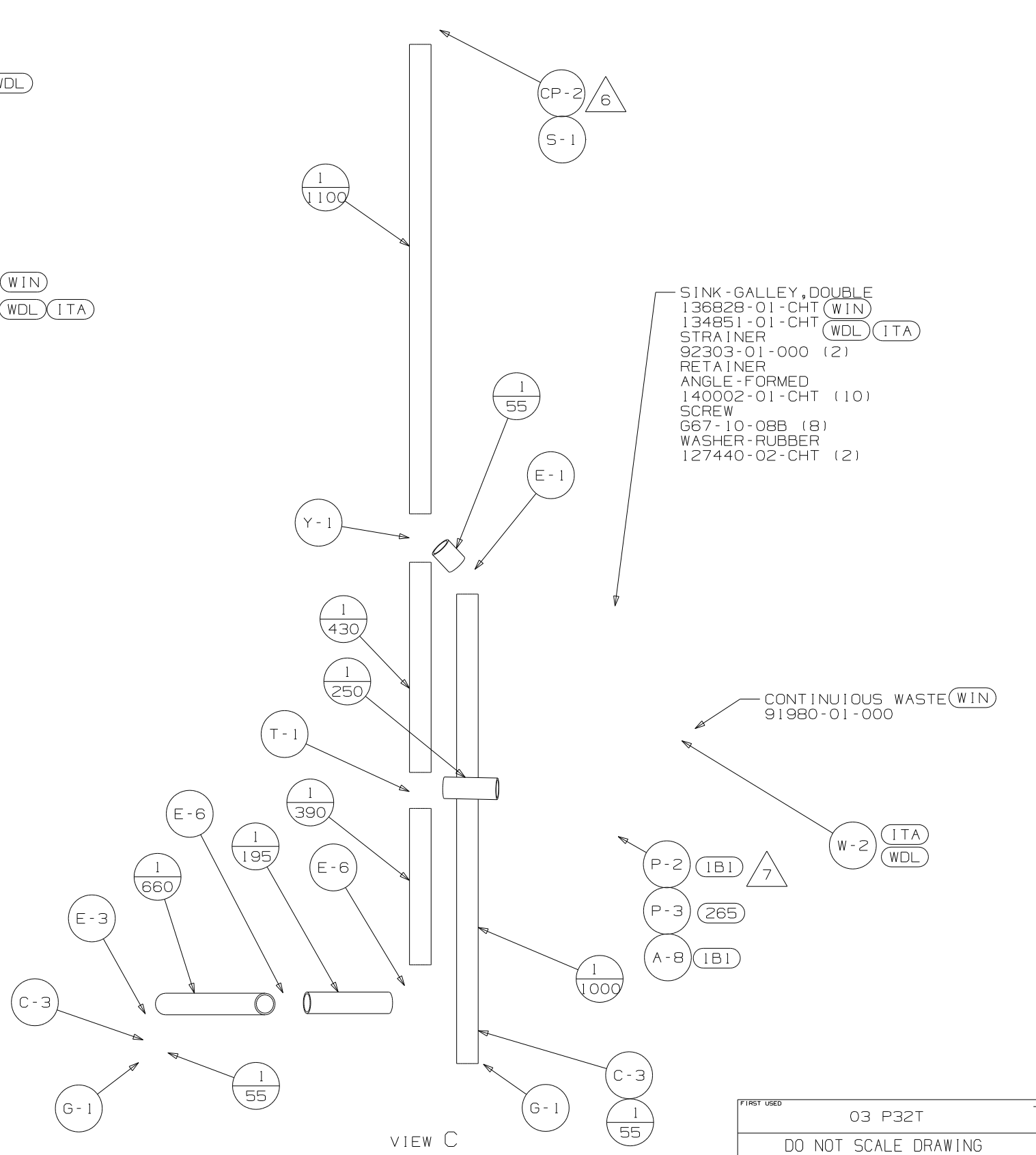
CONTINUOUS WASTE (WIN)
 91980-01-000



VIEW A

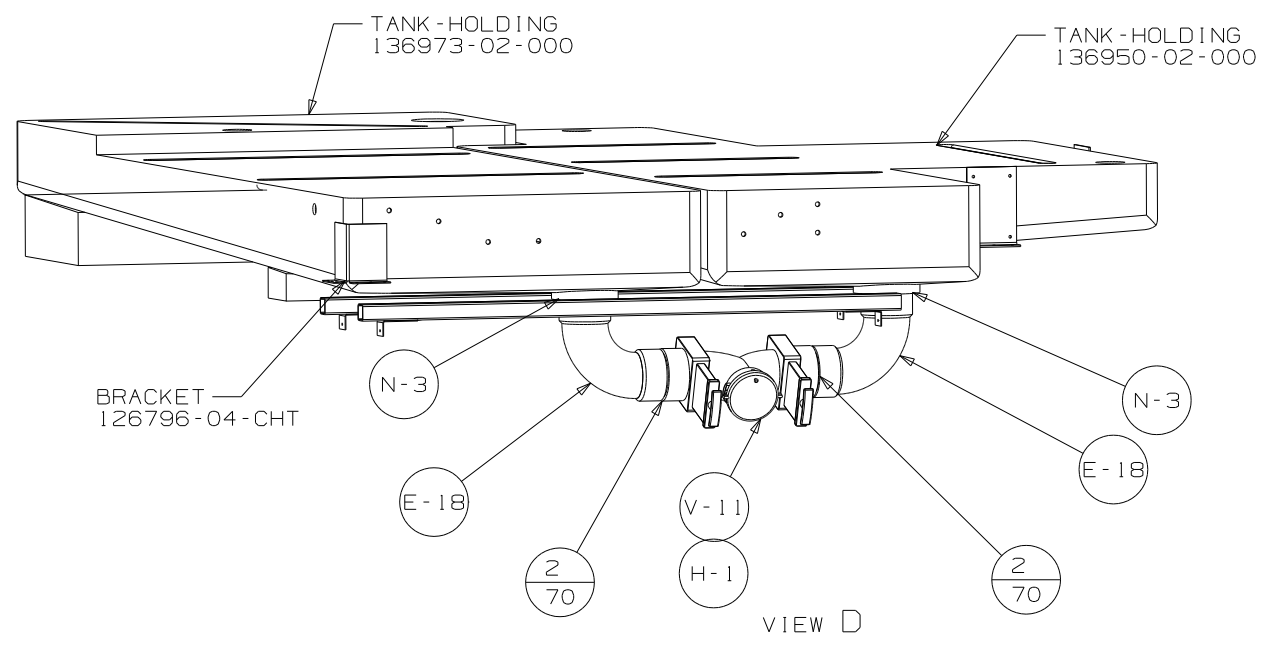
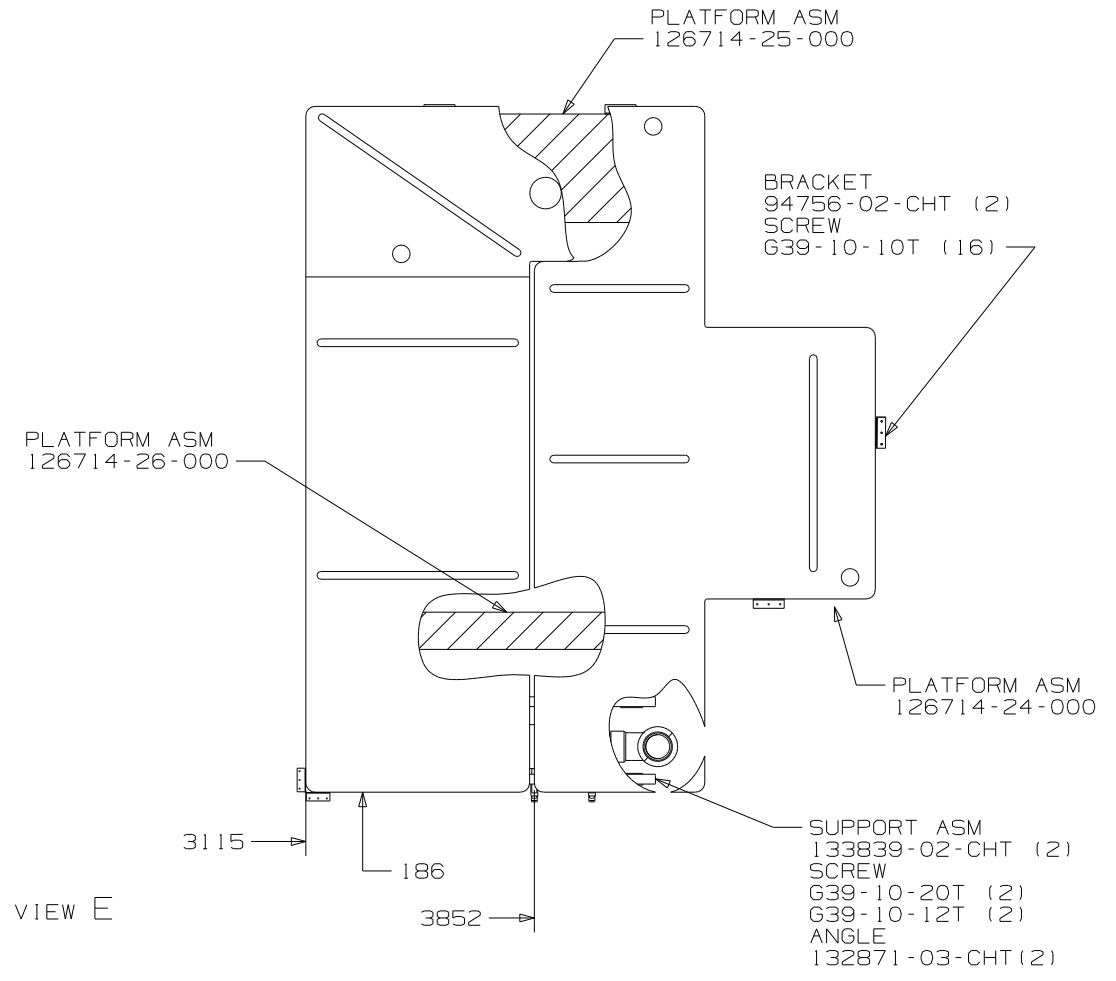
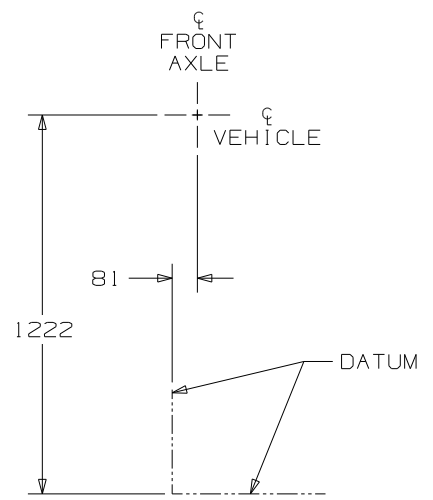


VIEW B



VIEW C

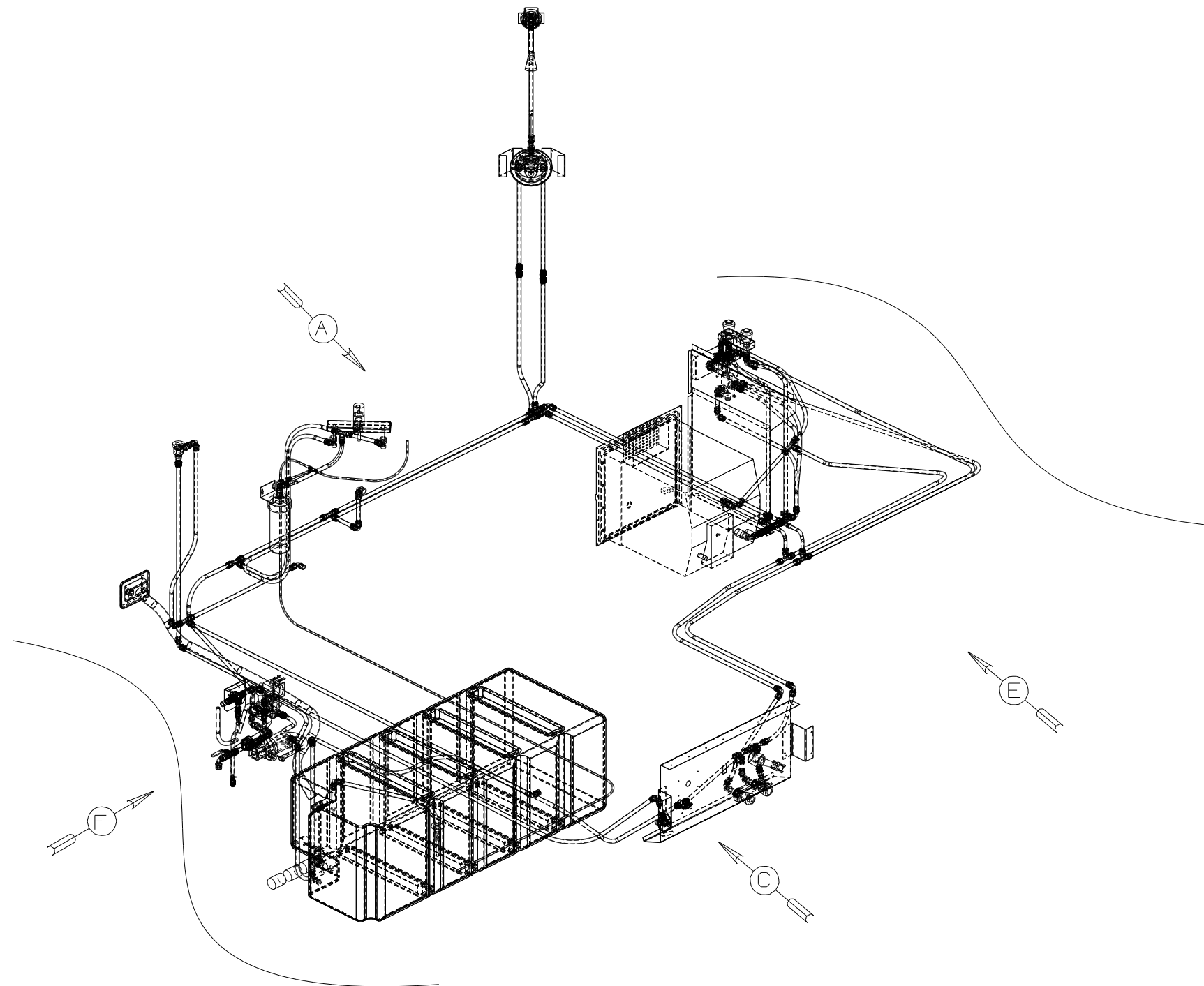
FIRST USED	03 P32T
DO NOT SCALE DRAWING	
TITLE	DRAINAGE SYSTEM INSTL
SHEET 2	PART NO 143501



FIRST USED	03 P32T
DO NOT SCALE DRAWING	
TITLE	DRAINAGE SYSTEM INSTL
SHEET 3	PART NO 143501

DWG NO	----
143502-01	(WIN)
143502-02	(WDL)
143502-03	(ITA)

RELEASE	REV DATE	DWG NO
A		143502
REV ZONE	REVISION RECORD	DATE DFR-ORIG



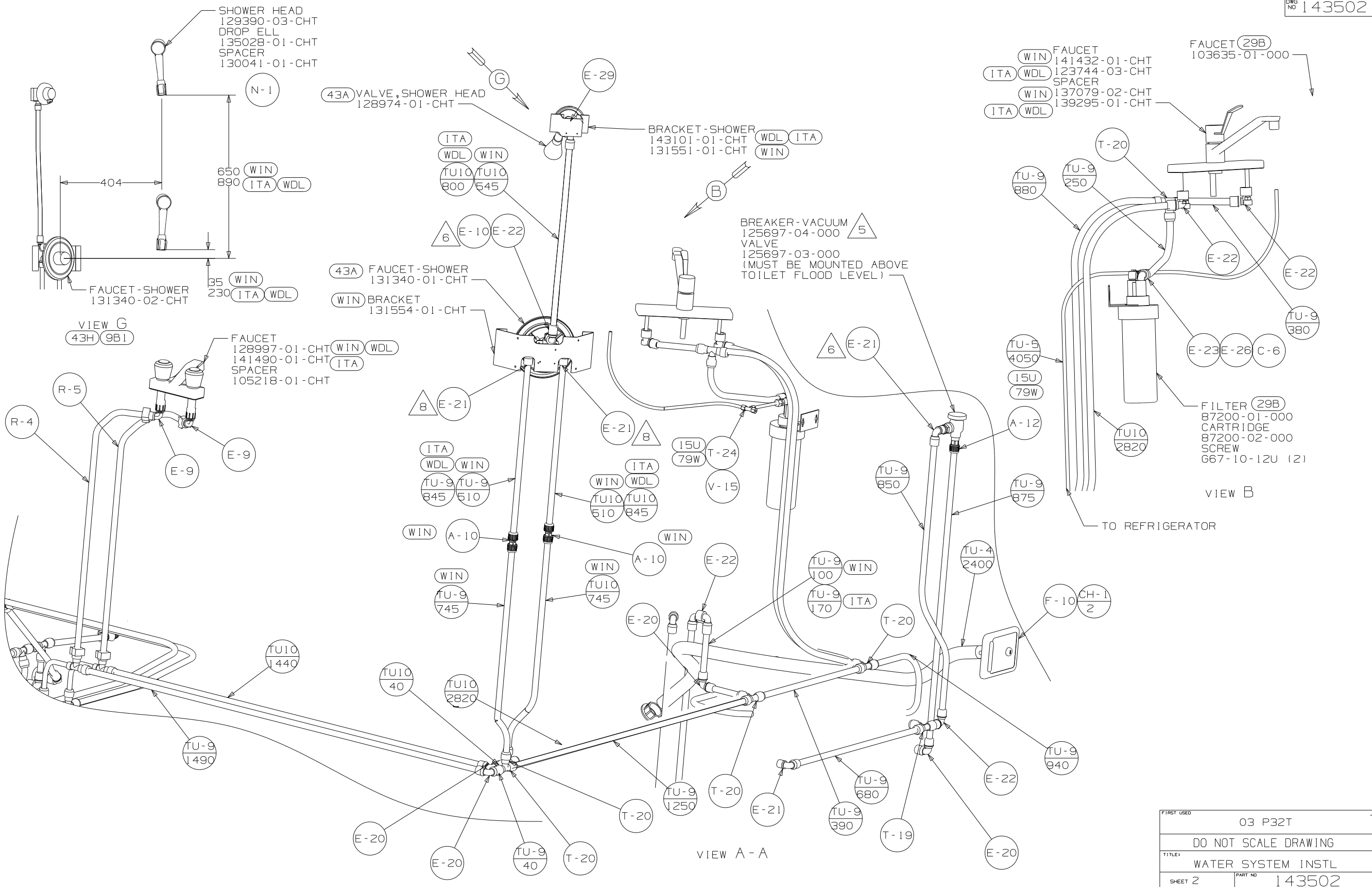
- (WIN) WINNEBAGO ONLY
- (ITA) ITASCA ONLY
- (WDL) WINNEBAGO DELUXE UPGRADE
- (53P) WINTERIZE VALVE, MANUAL
- (530) WINTERIZE KIT
- (43A) SHOWER HEAD-FIXED
- (43H) SHOWER HEAD-HAND HELD
- (15U) REFRIGERATOR/FRZR W/ICEMAKER
- (64R) EXTERIOR WASH STATION
- (53J) WATER HEATER BY-PASS-VALVE
- (9B1) SHOWER PACKAGE
- (29B) WATER PURIFIER

- 8 WRAP WITH TEFLON TAPE 10405-01-000 MINIMUM THREE WRAPS.
 - 7 WRAP WITH TEFLON TAPE 10405-03-000 TO FITTINGS.
 - 6 WRAP WITH TEFLON TAPE 10405-02-000 TO FITTINGS.
 - 5 FLUSHING SYSTEM REQUIRES 125697-06-000 INSTRUCTION SHEET.
 - 4 CLAMPS MUST BE ON BARBS.
3. ALL TUBING TO BE SECURED AT 1200 INTERVALS MAXIMUM WITH CLAMP 10495-01-000 OR CLIP 9151-01-000 AND SCREW 667-10-12B.
 2. TUBING TO BE INSTALLED WITH SUFFICIENT SLOPE TO PROVIDE DRAINAGE TO NEAREST VALVE.
 1. PLASTIC FITTINGS TO BE SEALED WITH SEALANT 84456-01-000.

NOTES:

(X-X)
FOR WATER CALLOUTS SEE DWG NO 116230-01-000

WINNEBAGO		COPYRIGHT 2003 WINNEBAGO INDUSTRIES, INC.	
DFTR	ORIG. DATE	ALL DIMENSIONS ARE IN MILLIMETERS	
CHKR		MATERIAL:	
P.E.		WHOLE DIM (X) :	7
M.E.	FIRST USED	ONE-PLACE (X.X) :	
DSNR	03 P32T	TWO-PLACE (X.XX) :	
UNSPECIFIED TOLERANCES ARE:		ANGLE :	
THIRD ANGLE PROJECTION		DO NOT SCALE DRAWING	
TITLE: WATER SYSTEM INSTL			
SHEET 1 OF 4		PART NO 143502	



SHOWER HEAD
129390-03-CHT
DROP ELL
135028-01-CHT
SPACER
130041-01-CHT

FAUCET
141432-01-CHT
123744-03-CHT
SPACER
137079-02-CHT
139295-01-CHT

FAUCET (29B)
103635-01-000

(43A) VALVE, SHOWER HEAD
128974-01-CHT

BRACKET-SHOWER
143101-01-CHT
131551-01-CHT

BREAKER-VACUUM
VALVE
125697-03-000
(MUST BE MOUNTED ABOVE
TOILET FLOOD LEVEL)

(43A) FAUCET-SHOWER
131340-01-CHT

(WIN) BRACKET
131554-01-CHT

FAUCET
128997-01-CHT
141490-01-CHT
SPACER
105218-01-CHT

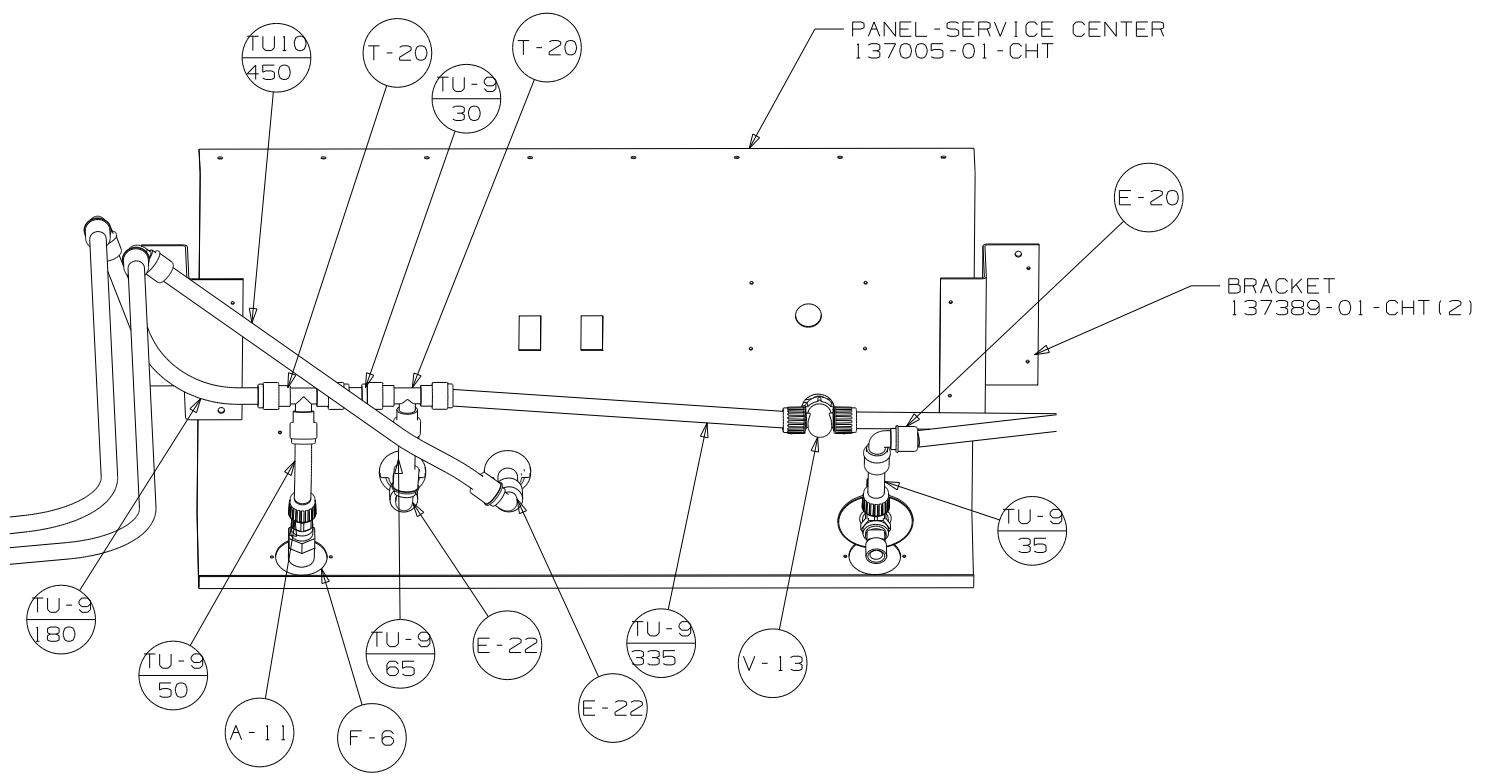
FILTER (29B)
87200-01-000
CARTRIDGE
87200-02-000
SCREW
667-10-12U (2)

VIEW G
43H 9B1

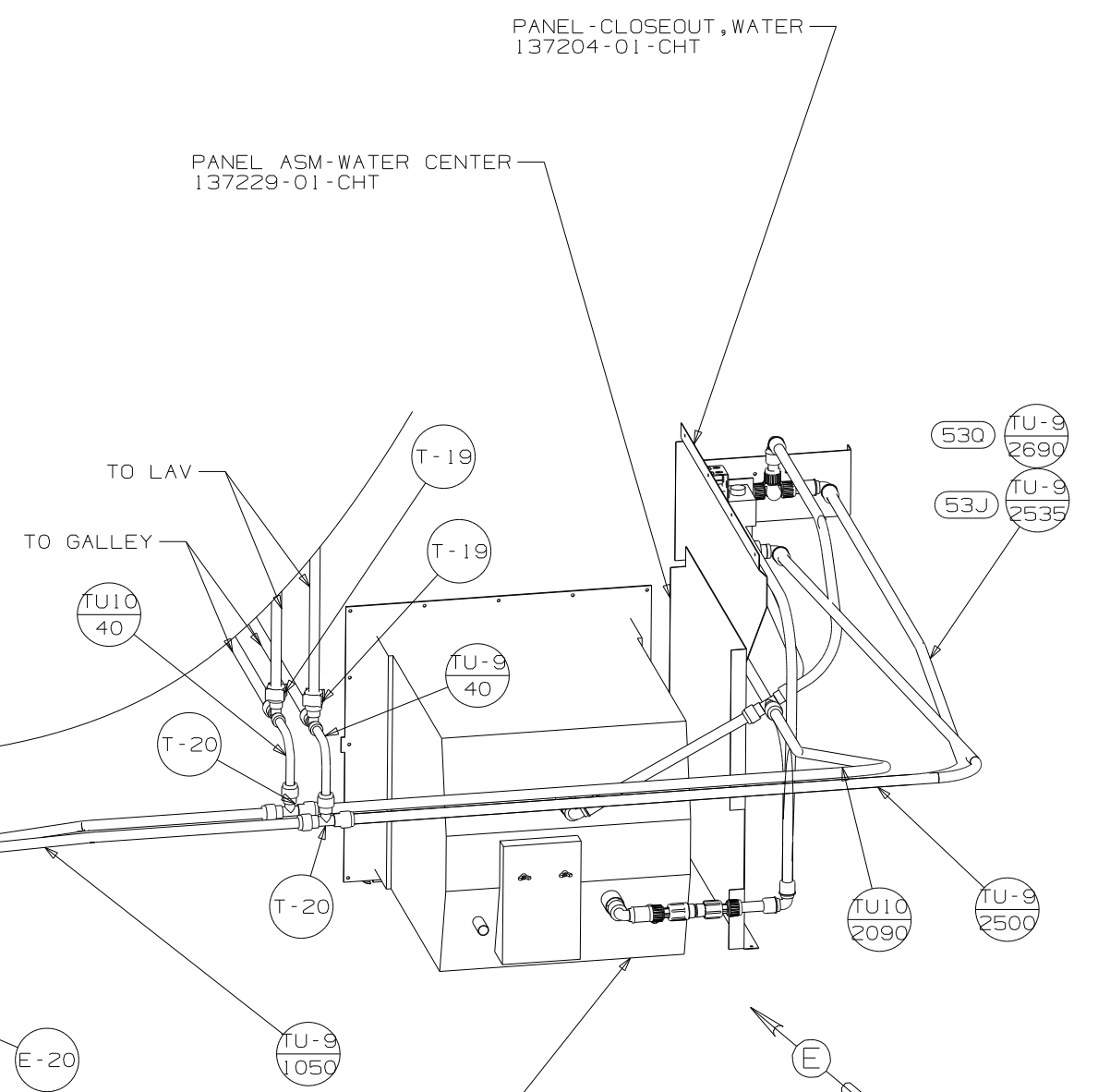
VIEW B

VIEW A-A

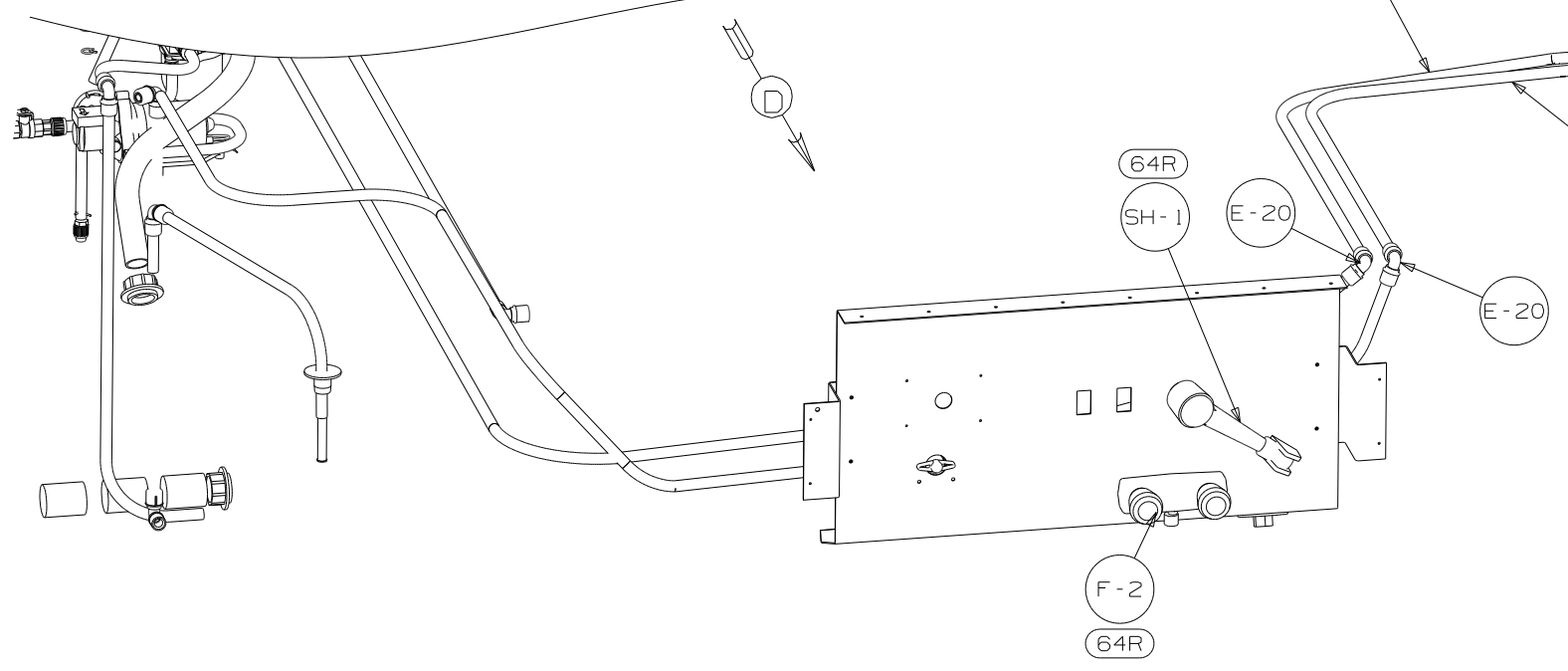
FIRST USED	03 P32T
TITLE:	DO NOT SCALE DRAWING
	WATER SYSTEM INSTL
SHEET 2	PART NO 143502



VIEW D

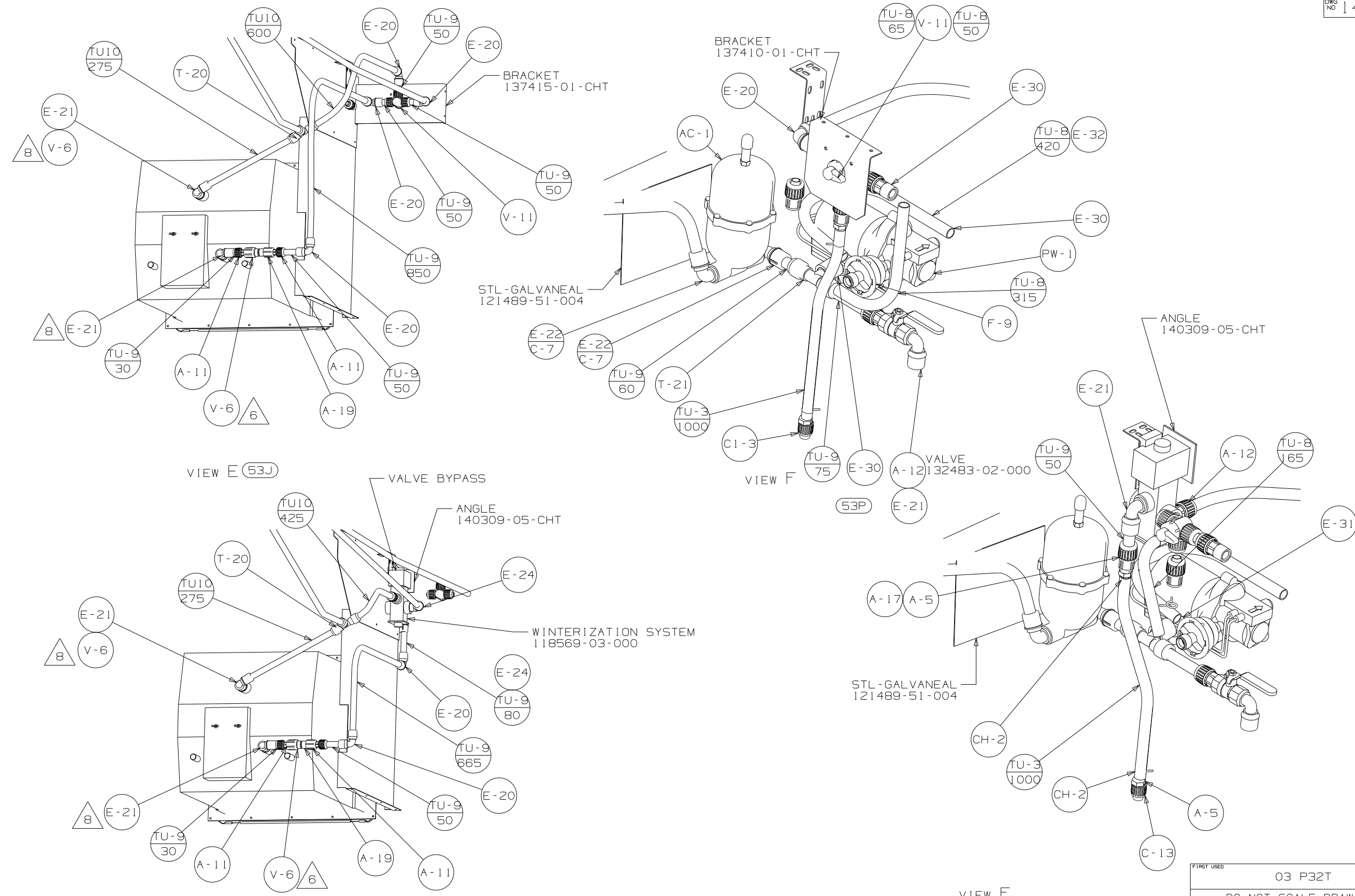


WATER HEATER - 10 GAL
51391-05-000
DOOR
125420-01 - CHT
PANEL - WATER HEATER
133224-01 - CHT
(TAB GOES FORWARD)
SCREW
639-10-10T (16)
BUMPER - INSTL
146507-01-000



VIEW C-C

FIRST USED	03 P32T
TITLE	DO NOT SCALE DRAWING
SHEET 3	PART NO 143502



FIRST USED	03 P32T
TITLE	DO NOT SCALE DRAWING
TITLE	WATER SYSTEM INSTL
SHEET 4	PART NO 143502