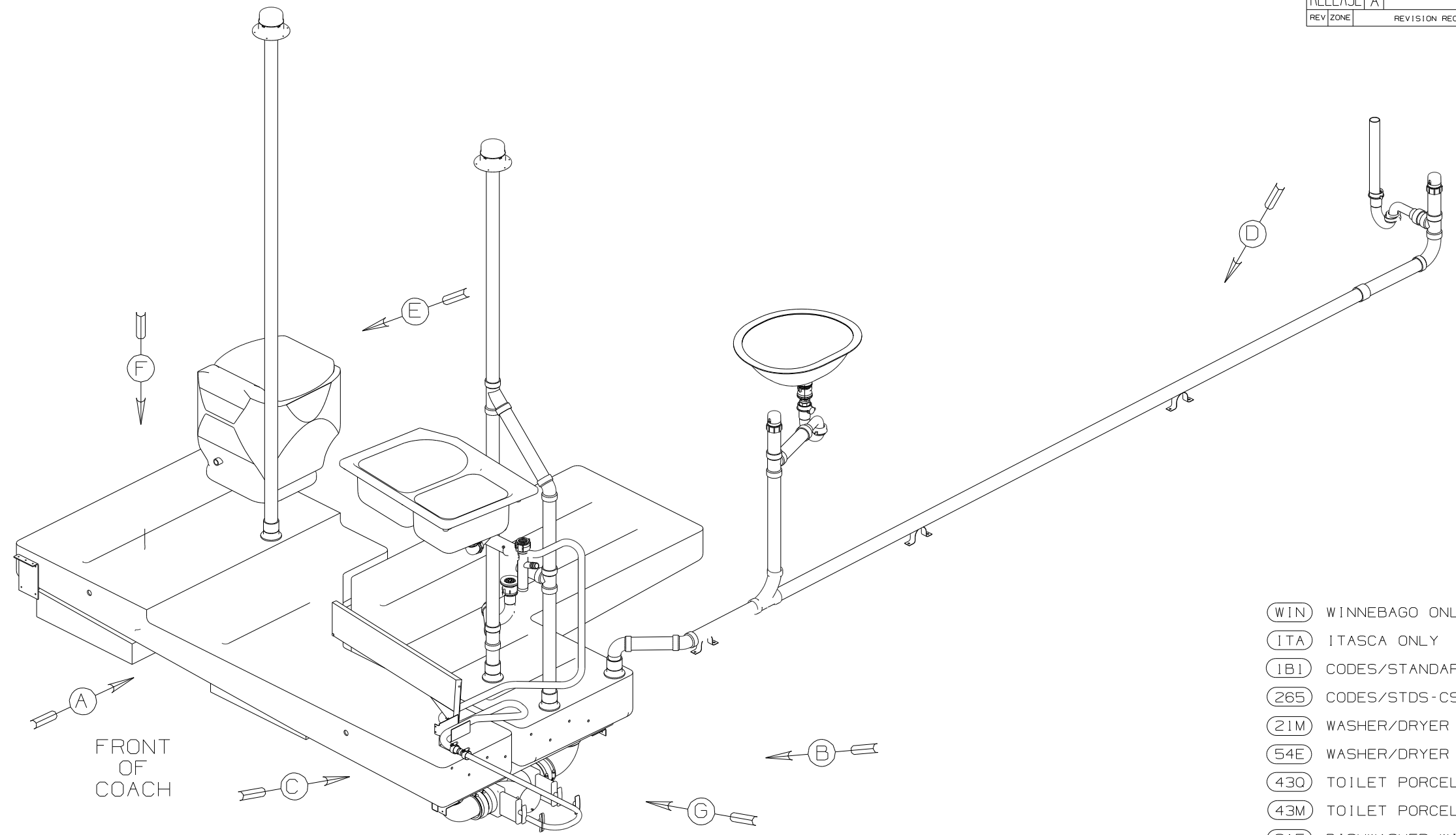


DWG NO	----
142328-01	RH SHOWN
142328-02	LH OPPOSITE

RELEASE	REV DATE	DWG NO	142328
REV ZONE	REVISION RECORD	DATE	DFTR-ORIG



- (WIN) WINNEBAGO ONLY
- (ITA) ITASCA ONLY
- (IB1) CODES/STANDARDS-USA
- (265) CODES/STDS-CSA/CMVSS
- (21M) WASHER/DRYER PREP
- (54E) WASHER/DRYER
- (43Q) TOILET PORCELAIN
- (43M) TOILET PORCELAIN-ELONGATE
- (215) DISHWASHER WITHOUT
- (21N) DISHWASHER/BUILT-IN

- NOTES:
1. SLOPE OF HORIZONTAL PIPING TO BE MIN 3 PER 305 mm.
 2. SLOPE OF TRAP ARM MUST BE 6 PER 305 mm.
 3. ALL PIPE AND FITTINGS TO BE ASSEMBLED WITH SOLVENT 4020-01-000.
 4. ALL EXTERIOR OPENINGS AROUND PIPE TO BE SEALED WITH 100744-01-000.
 5. SEAL AROUND SHOWER WITH SILICONE.
 6. VENT PIPE MUST PROJECT 51 MIN AND 64 MAX ABOVE ROOF FOR PROPER FIT AND FUNCTION.
 7. SECURE VENT TUBES TO FLOOR WITH BRACKET 136878-01-CHT (4) CLAMP 62401-02-000, SCREW G67-10-12B (4).
 8. SECURE PIPES TO CABINET USING WIRE TIE 10846-02-000 AND SCREW G67-10-12U (A/R).

(X-X)
FOR DRAINAGE CALLOUTS SEE DWG NO 116229-01-000

WINNEBAGO		COPYRIGHT 2002 WINNEBAGO INDUSTRIES, INC.	
DFTR	ORIG. DATE	ALL DIMENSIONS ARE IN MILLIMETERS	
CHKR		FIRST USED	
P.E.		03 L39T	
M.E.		UNSPECIFIED TOLERANCES ARE:	
DSNR		MATERIAL:	
		WHOLE DIM (X)	: 3
		ONE-PLACE (X.X)	:
		TWO-PLACE (X.XX)	:
		ANGLE	:
		THIRD ANGLE PROJECTION	
DO NOT SCALE DRAWING			
TITLE: DRAINAGE SYSTEM INSTL			
SHEET 1 OF 1	PART NO	142328	

SINK - GALLEY, DBL
134851-02-CHT
STRAINER-SINK
92303-01-000 (2)
ANGLE
140002-01-CHT (10)

SHOWER INSTL - ENCLOSURE
131620-11-XXX
DRAIN
66440-01-000
NUT - SLIP
130403-01-000
TAILPIECE
11069-06-000
WASHER
127440-02-CHT
SEALER
69640-01-000

(1B1) A-8
(265) P-3
(1B1) P-2

(1B1) P-2
(265) P-3
(1B1) A-8

(1B1) 1/150
(265) 1/250

CP-2 6
S-1

1/1040

1/945

1/315

E-16
P-6

E-1
E-16
P-6

1/260

1/175 (265)
1/75 (1B1)

1/540

T-1
1/75

1/55

G-1

C-3 7
G-1

1/55

VIEW A

COUPLING-REDUCING
139571-01-000
CLAMP
62401-01-000 (2)

HOSE
(SUPPLIED WITH DISHWASHER)

HOSE - DISHWASHER
139567-01-000
(3960)
CLAMP
62401-01-000

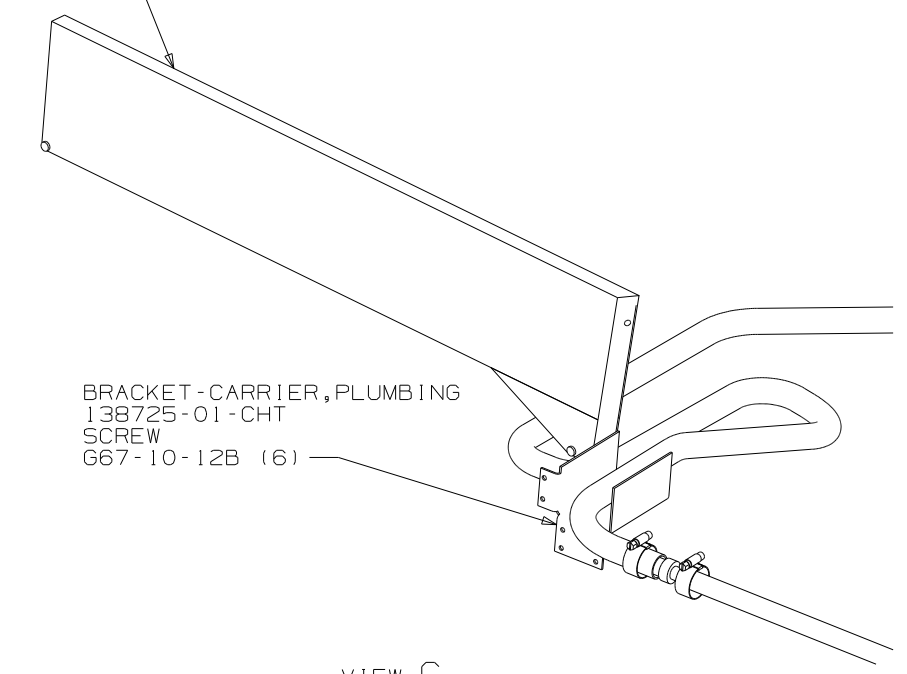
WASTE-CONT (2IN)
11091-04-000

9

VIEW B (2IN)

FIRST USED	03 L39T
TITLE	DO NOT SCALE DRAWING DRAINAGE SYSTEM INSTL
SHEET 2	PART NO 142328

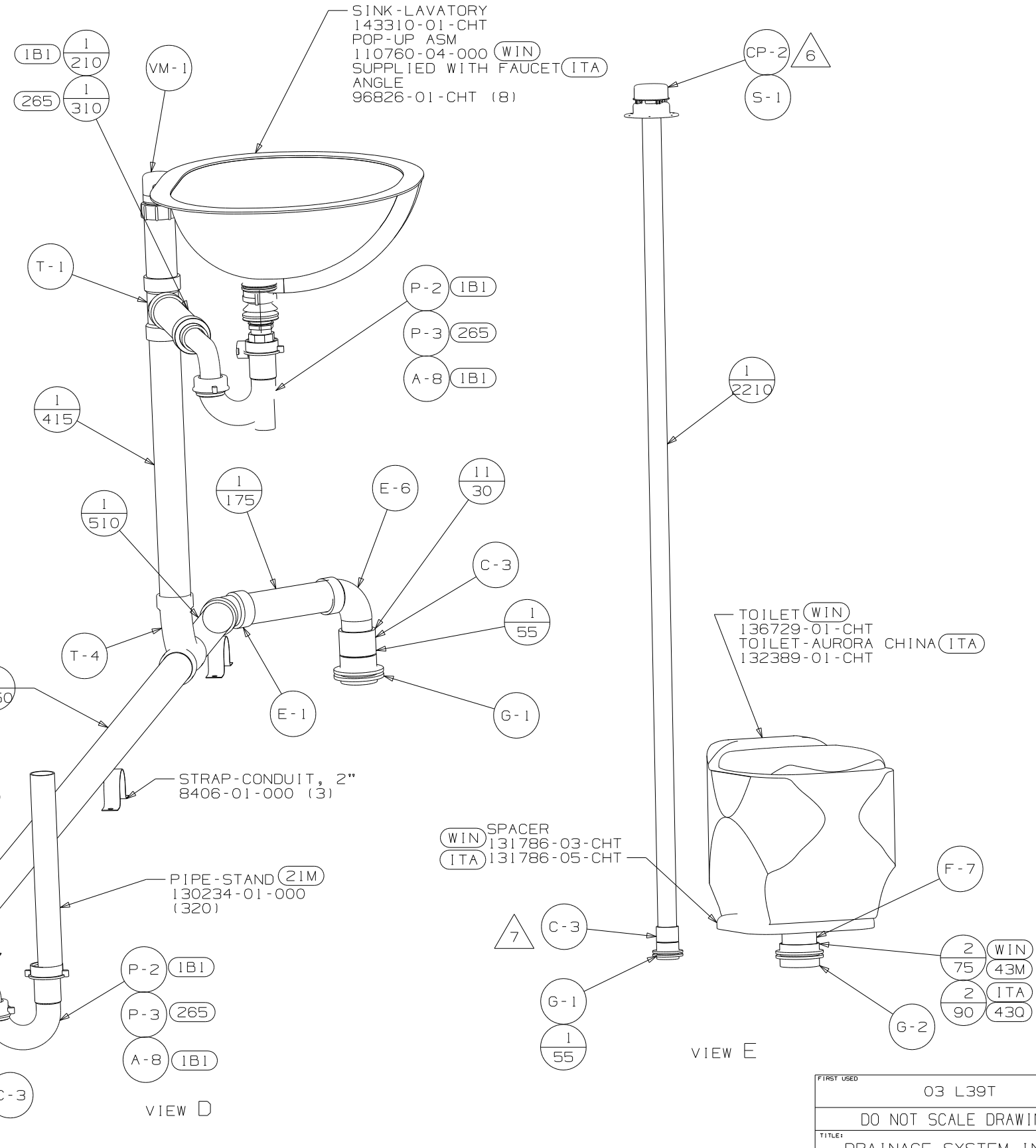
CABINET ASM-GALLEY
(REF)



BRACKET-CARRIER, PLUMBING
138725-01-CHT
SCREW
G67-10-12B (6)

VIEW C

SINK-LAVATORY
143310-01-CHT
POP-UP ASM
110760-04-000 (WIN)
SUPPLIED WITH FAUCET (ITA)
ANGLE
96826-01-CHT (8)



TOILET (WIN)
136729-01-CHT
TOILET-AURORA CHINA (ITA)
132389-01-CHT

(WIN) SPACER
131786-03-CHT
(ITA) 131786-05-CHT

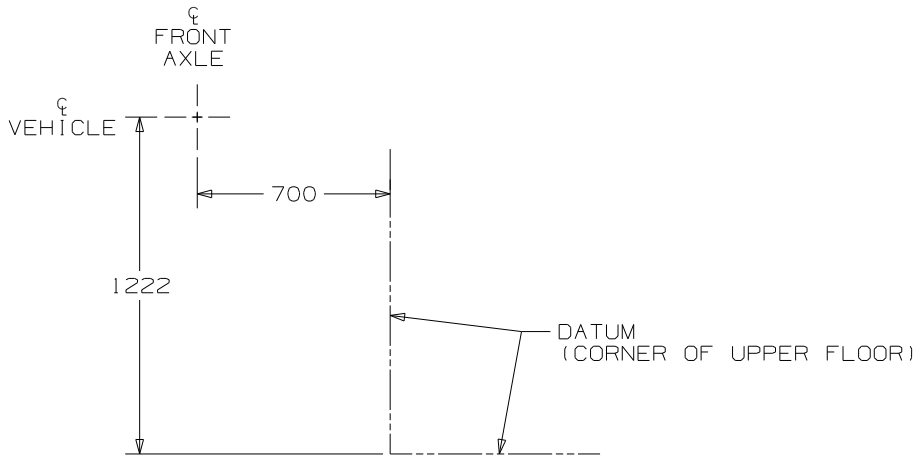
STRAP-CONDUIT, 2"
8406-01-000 (3)

PIPE-STAND (21M)
130234-01-000
(320)

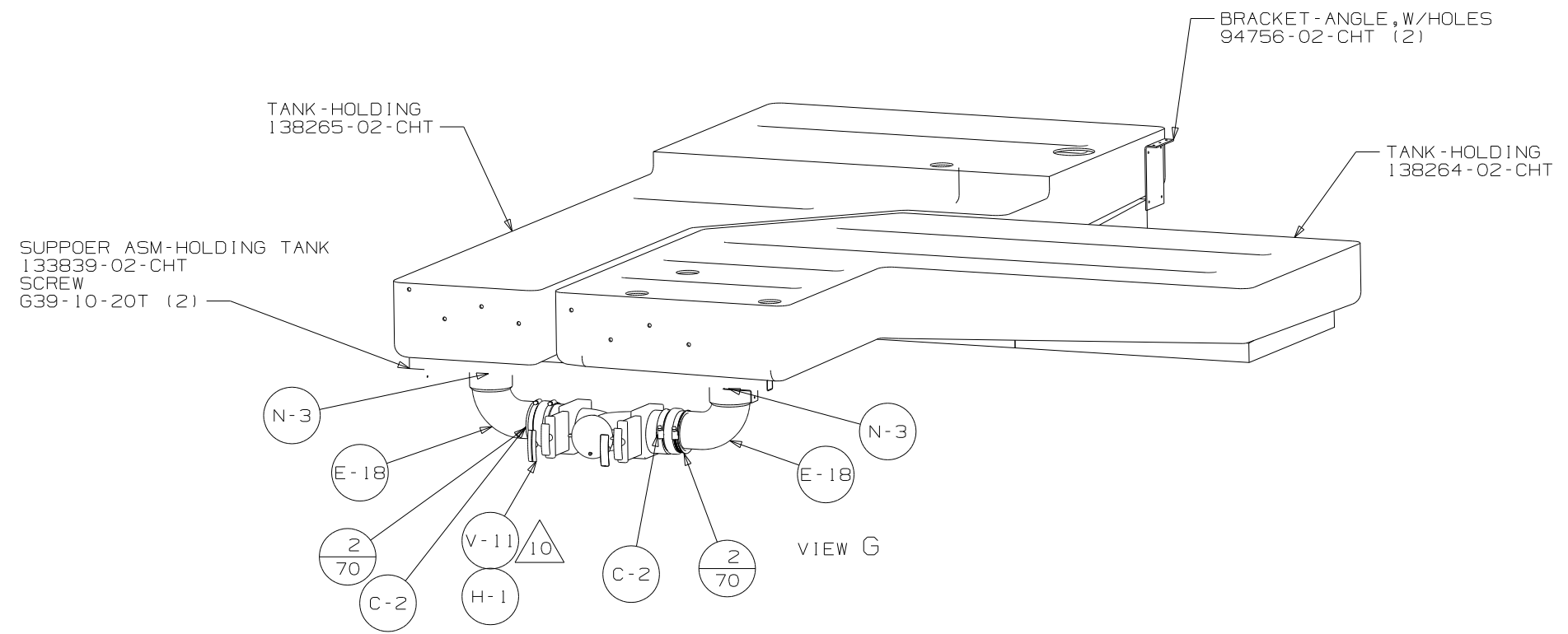
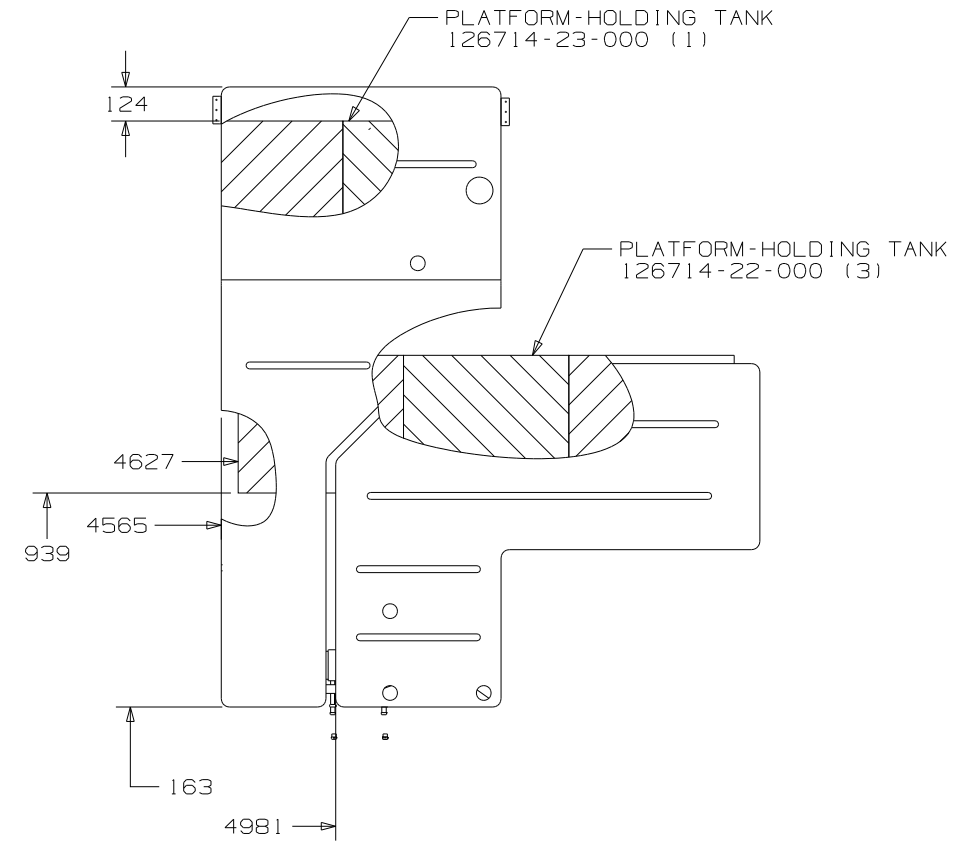
VIEW D

VIEW E

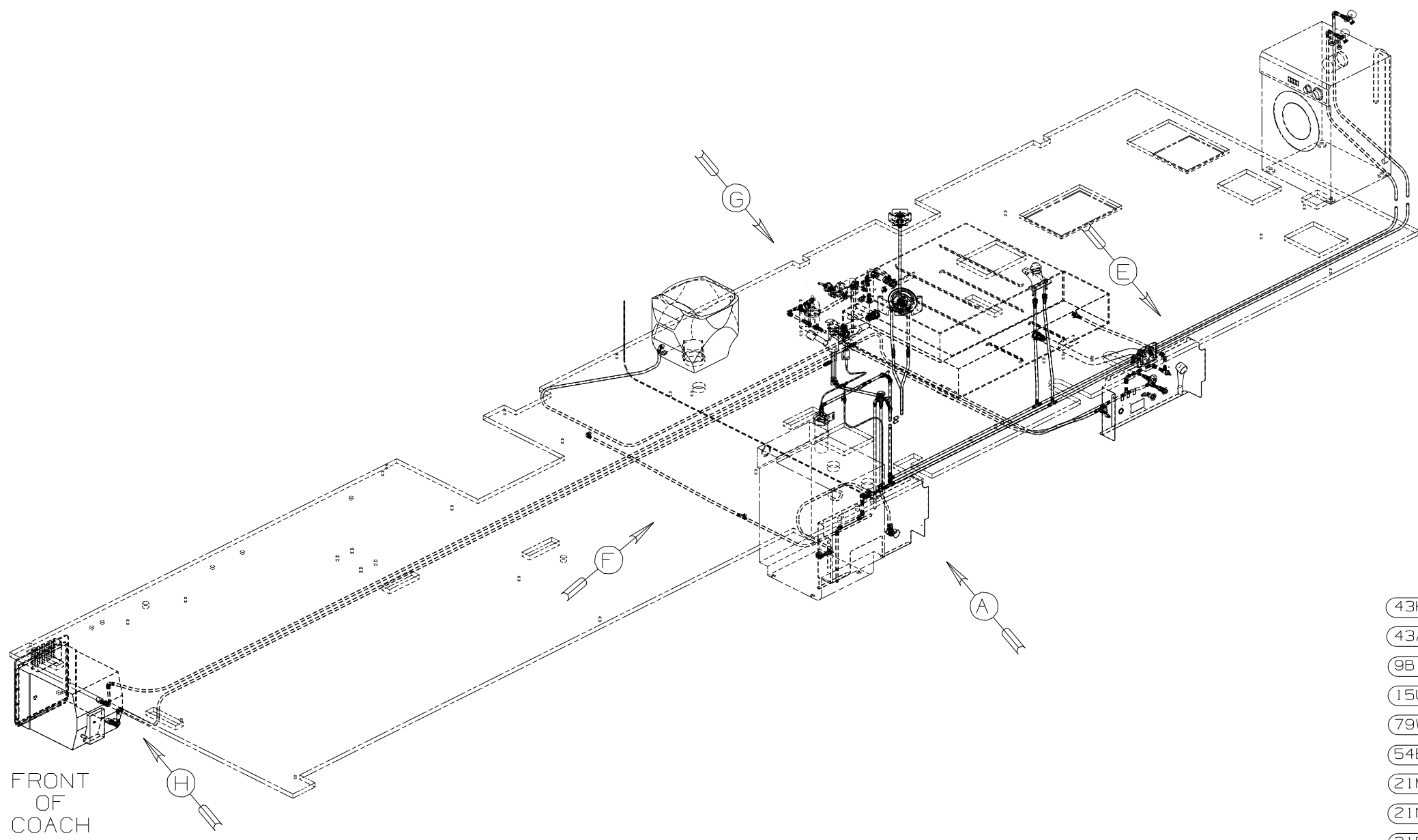
FIRST USED	03 L39T
TITLE	DO NOT SCALE DRAWING
TITLE	DRAINAGE SYSTEM INSTL
SHEET 3	PART NO 142328
1 12/03/02	



VIEW F



FIRST USED	03 L39T
TITLE	DO NOT SCALE DRAWING
SHEET 4	PART NO 142328
12/03/02	



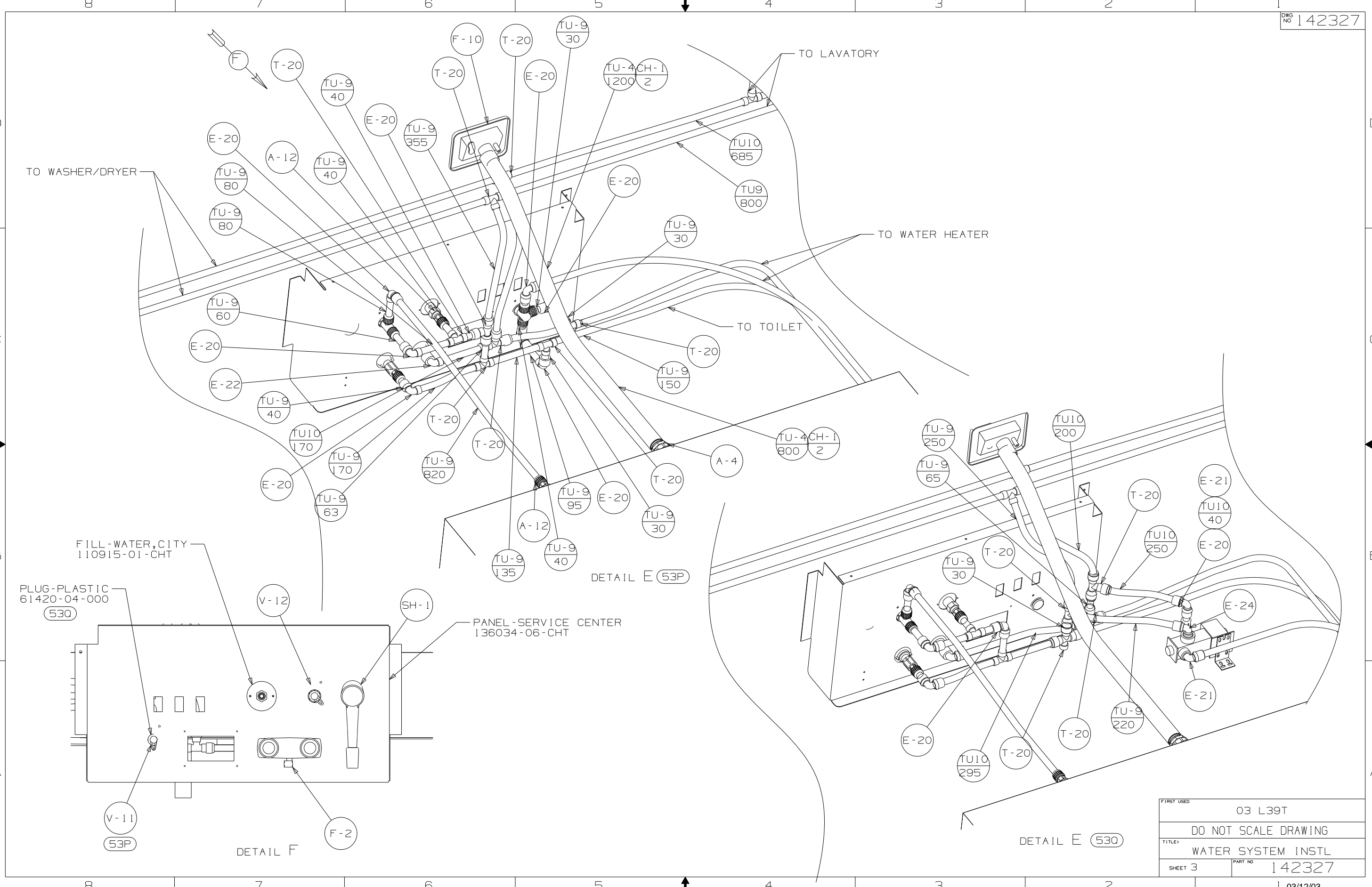
- (43H) SHOWER HEAD-HAND HELD
- (43A) SHOWER HEAD-FIXED
- (9B1) SHOWER PACKAGE
- (15U) REFRIGERTATOR/FRZR W/ICEMAKER
- (79W) REFRIGERATOR-4 DR
- (54E) WASHER/DRYER
- (21M) WASHER/DRYER PREP
- (21N) DISHWASHER/BUILT IN
- (215) DISHWASHER WITHOUT
- (530) WINTERIZE KIT
- (53P) WINTERIZE VALVE, MANUAL

FRONT
OF
COACH

- NOTES:
- 7 ADD TEFLON TAPE 10405-03-000.
 - 6 ADD TEFLON TAPE 10405-02-000.
 - 5 ADD TEFLON TAPE 10405-01-000.
 - 4 FLUSHING SYSTEM REQUIRES 125697-06-000 INSTRUCTION SHEET.
3. ALL TUBING TO BE SECURED AT 1200 INTERVALS MAXIMUM WITH CLAMP 10495-01-000 OR CLIP 9151-01-000 AND SCREW G67-10-12B.
 2. TUBING TO BE INSTALLED WITH SUFFICIENT SLOPE TO PROVIDE DRAINAGE TO NEAREST VALVE.
 1. PLASTIC FITTINGS TO BE SEALED WITH SEALANT 84456-01-000.

WINNEBAGO		COPYRIGHT 2003 WINNEBAGO INDUSTRIES, INC.	
DFTR	ORIG. DATE	ALL DIMENSIONS ARE IN MILLIMETERS	
CHKR		FIRST USED	
P.E.		03 L39T	
M.E.		UNSPECIFIED TOLERANCES ARE:	
DSNR		MATERIAL:	
		WHOLE DIM (X) :	3
		ONE-PLACE (X.X) :	
		TWO-PLACE (X.XX) :	
		ANGLE :	
		THIRD ANGLE PROJECTION	
DO NOT SCALE DRAWING			
TITLE: WATER SYSTEM INSTL			
SHEET 1 OF 5		PART NO	142327

(X-X)
FOR
WATER
CALLOUTS
SEE DWG NO
116230-01-000



TO WASHER/DRYER

TO LAVATORY

TO WATER HEATER

TO TOILET

FILL-WATER, CITY
110915-01-CHT

PLUG-PLASTIC
61420-04-000
530

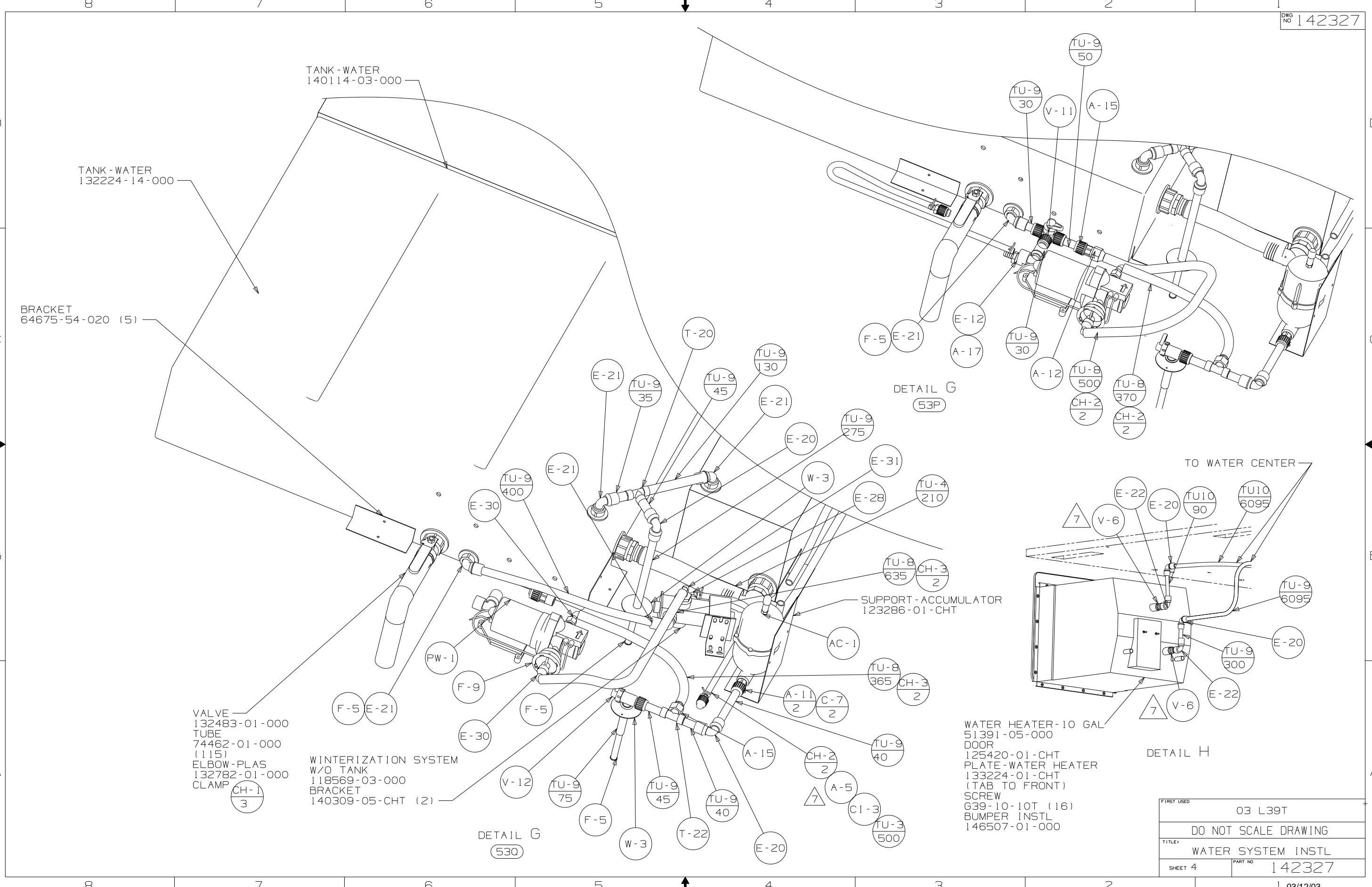
PANEL-SERVICE CENTER
136034-06-CHT

DETAIL E 53P

DETAIL E 530

DETAIL F

FIRST USED	03 L39T
TITLE	DO NOT SCALE DRAWING
SHEET 3	PART NO 142327
1 03/12/03	



TANK - WATER
132224-14-000

TANK - WATER
140114-03-000

BRACKET
64675-54-020 (5)

VALVE
132483-01-000
TUBE
74462-01-000
(115)
ELBOW-PLAS
132782-01-000
CLAMP
CH-1
3

WINTERIZATION SYSTEM
W/O TANK
118569-03-000
BRACKET
140309-05-CHT (2)

DETAIL G
53Q

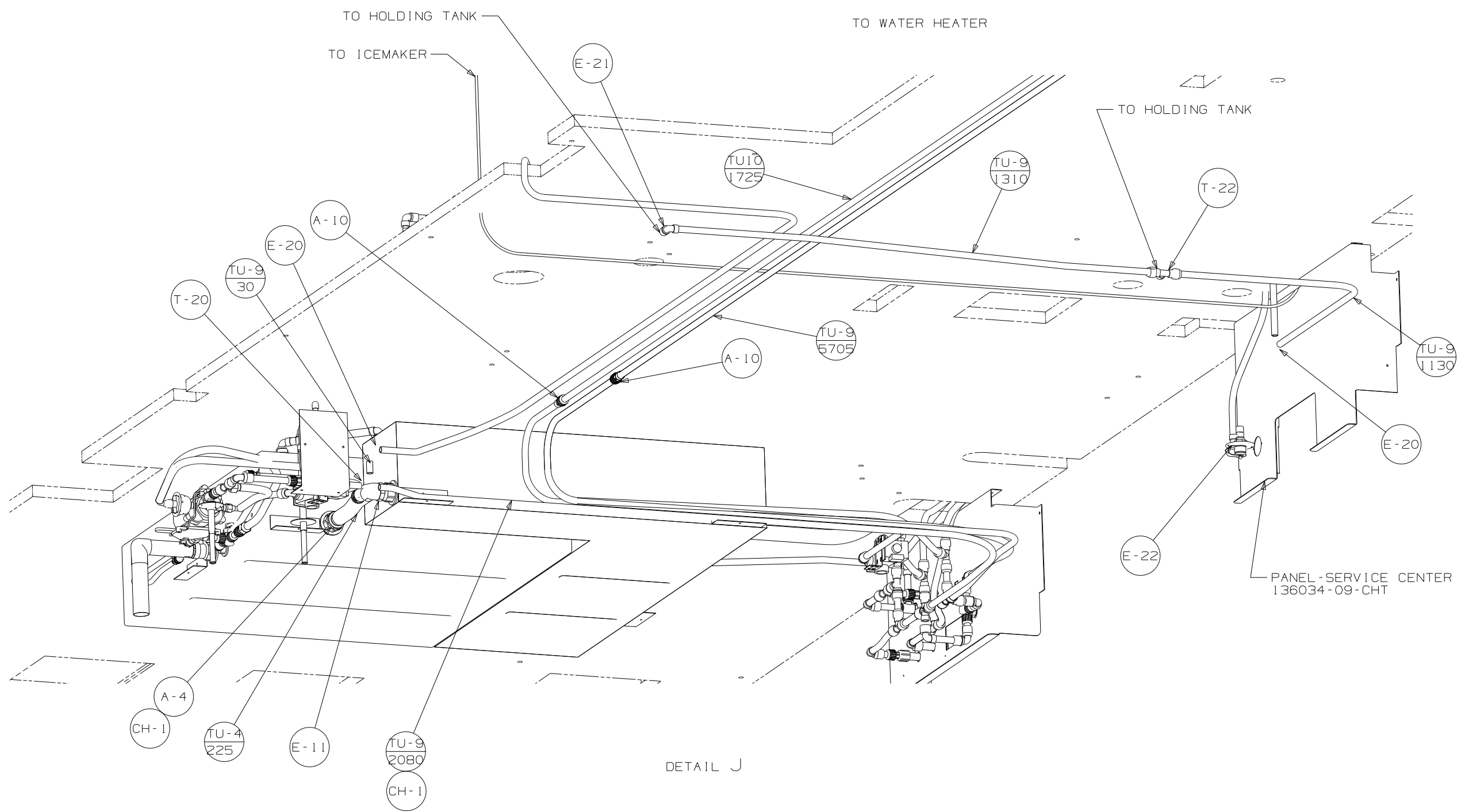
DETAIL G
53P

SUPPORT - ACCUMULATOR
123286-01-CHT

WATER HEATER-10 GAL
51391-05-000
DOOR
125420-01-CHT
PLATE-WATER HEATER
132224-01-CHT
(TAB TO FRONT)
SCREW
G39-10-10T (16)
BUMPER INSTL
146507-01-000

DETAIL H

FIRST USED	03 L39T
TITLE	DO NOT SCALE DRAWING
TITLE	WATER SYSTEM INSTL
SHEET 4	PART NO 142327



FIRST USED	03 L39T
DO NOT SCALE DRAWING	
TITLE	WATER SYSTEM INSTL
SHEET 5	PART NO 142327