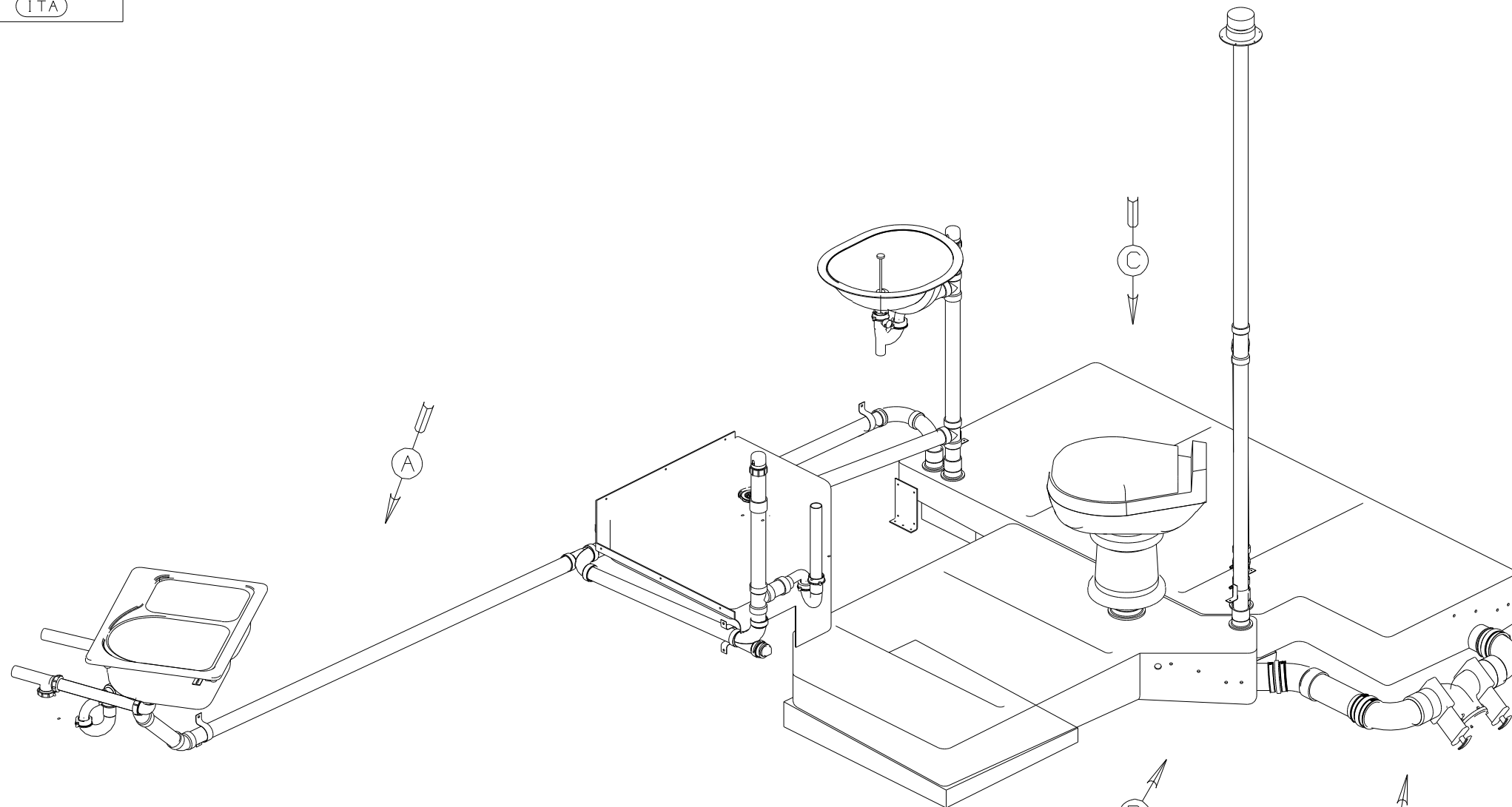


DWG NO	----
142443-01	(WIN)
142443-02	(ITA)

RELEASE	REV DATE	DWG NO	142443
REV ZONE	REVISION RECORD	DATE	DFTR-ORIG



FRONT OF COACH

- (WIN) WINNEBAGO ONLY
- (ITA) ITASCA ONLY
- (43M) TOILET PORCELAIN-ELONGATED
- (430) TOILET-PORCELAIN
- (1B1) CODES/STANDARDS USA
- (265) CODES/STANDARDS-CSA/CMVSS
- (21M) WASHER/DRYER PREP

- NOTES:
- △ TRIM TO FIT
 - 7. SECURE PIPES TO CABINET USING WIRE TIE 108046-02-000 AND SCREW G67-10-12U (A/R).
 - △ VENT PIPE MUST PROECT 51 MIN AND 64 MAX ABOVE ROOF FOR PROPER FIT AND FUNCTION.
 - 5. SEAL AROUND SHOWER WITH SILICONE.
 - 4. ALL EXTERIOR OPENINGS AROUND PIPE TO BE SEALED WITH 100744-01-000.
 - 3. ALL PIPE AND FITTINGS TO BE ASSEMBLED WITH SOLVENT 4020-01-000.
 - 2. SLOPE OF TRAP ARM MUST BE 6 PER 305 mm.
 - 1. SLOPE OF HORIZONTAL PIPING TO BE MIN 3 PER 305 mm.

(X-X)
FOR DRAINAGE CALLOUTS SEE DWG NO 116229-01-000

WINNEBAGO		COPYRIGHT 2002 WINNEBAGO INDUSTRIES, INC.	
DFTR	ORIG. DATE	ALL DIMENSIONS ARE IN MILLIMETERS	
CHKR		FIRST USED	
P.E.		03 L36W	
M.E.		UNSPECIFIED TOLERANCES ARE:	
DSNR		MATERIAL:	
		WHOLE DIM (X)	: 3
		ONE-PLACE (X.X)	:
		TWO-PLACE (X.XX)	:
		ANGLE	:
THIRD ANGLE PROJECTION		DO NOT SCALE DRAWING	
		TITLE: DRAINAGE SYSTEM INSTL	
SHEET 1 OF 3		PART NO 142443	

SINK
143310-01-CHT
WIN STRAINER ASM
110760-04-000
ITA WASTE ARM-LAV, W/O OVERFLOW
(SUPPLIED W/FAUCET)
ANGLE
96826-01-CHT (10)

SINK-GALLEY, DBL
134851-01-CHT
STRAINER-SINK
92303-01-000 (2)
ANGLE
140002-01-CHT (10)

SHOWER INSTL
131620-05-000
DRAIN
66440-01-000
NUT-SLIP 130403-01-000
TAILPIECE
11069-06-000
WASHER
127440-02-CHT
SEALER
69640-01-000

TOILET-CHINA, STD W/SPRAYER
WIN 136729-01-CHT
TOILET
ITA 132389-01-CHT

BRACKET-PIPE, VENT
136878-01-CHT (2)

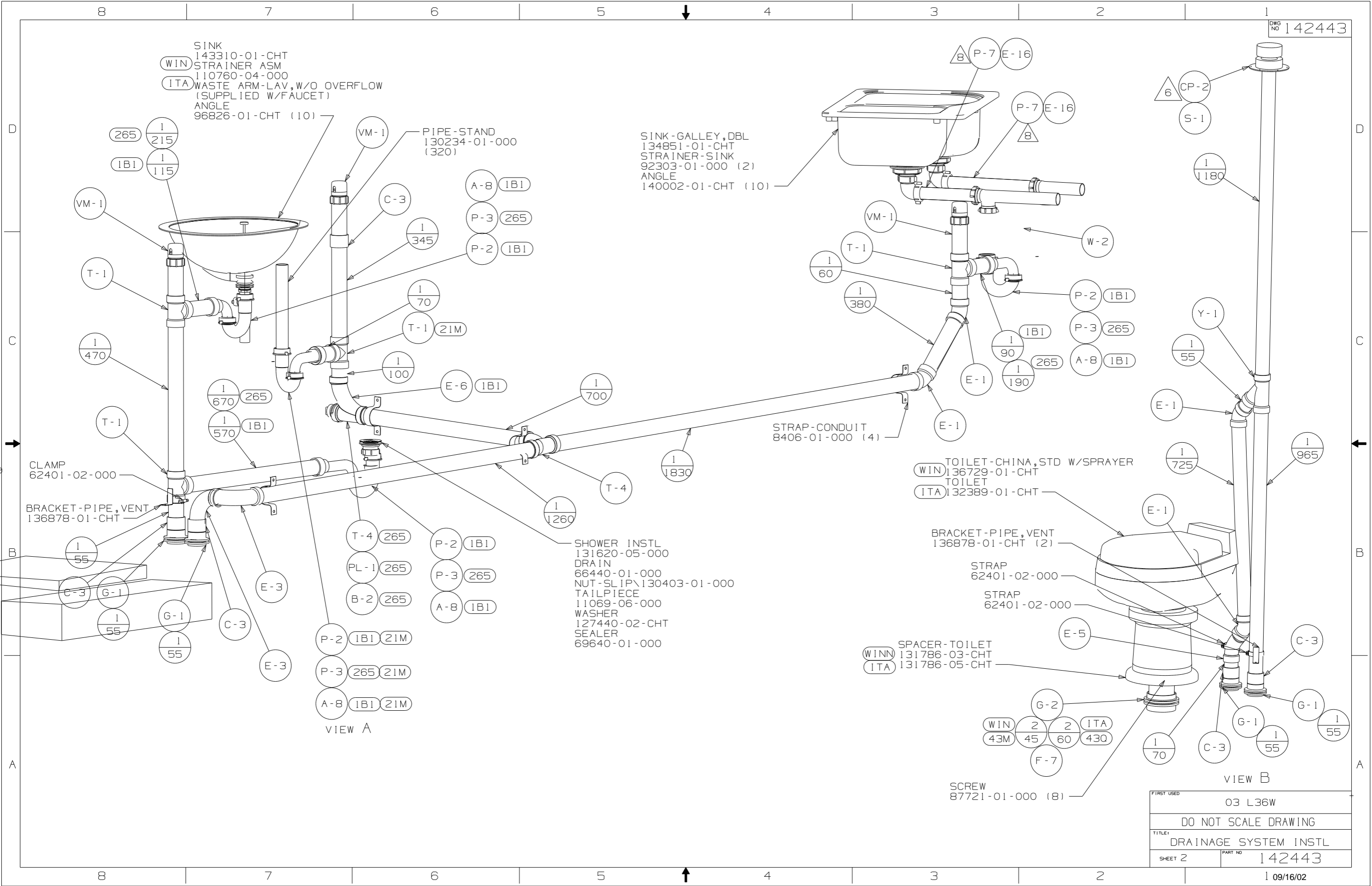
SPACER-TOILET
WIN 131786-03-CHT
ITA 131786-05-CHT

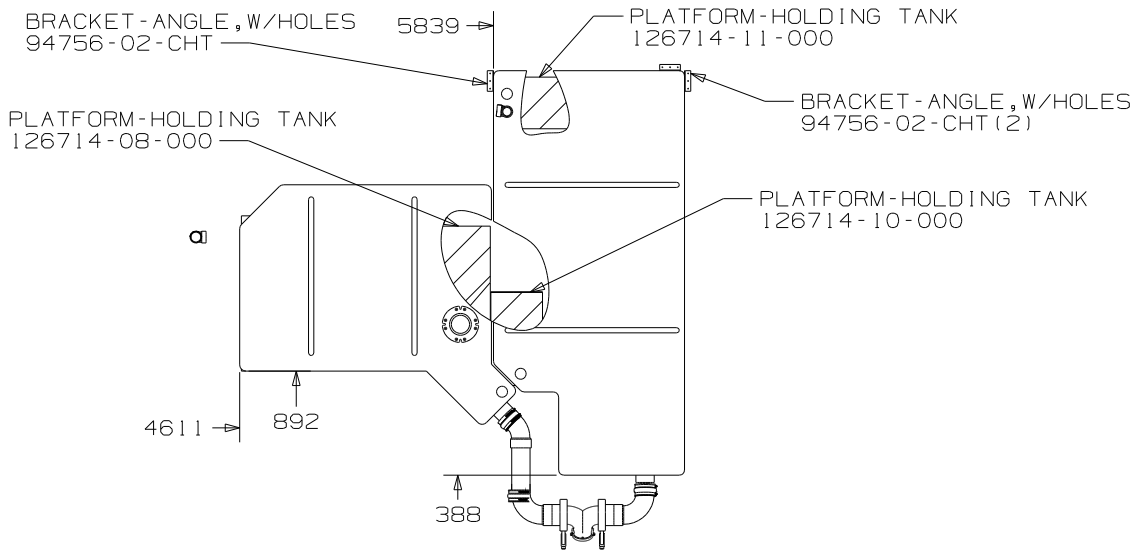
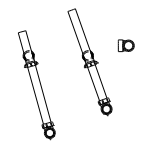
SCREW
87721-01-000 (8)

VIEW A

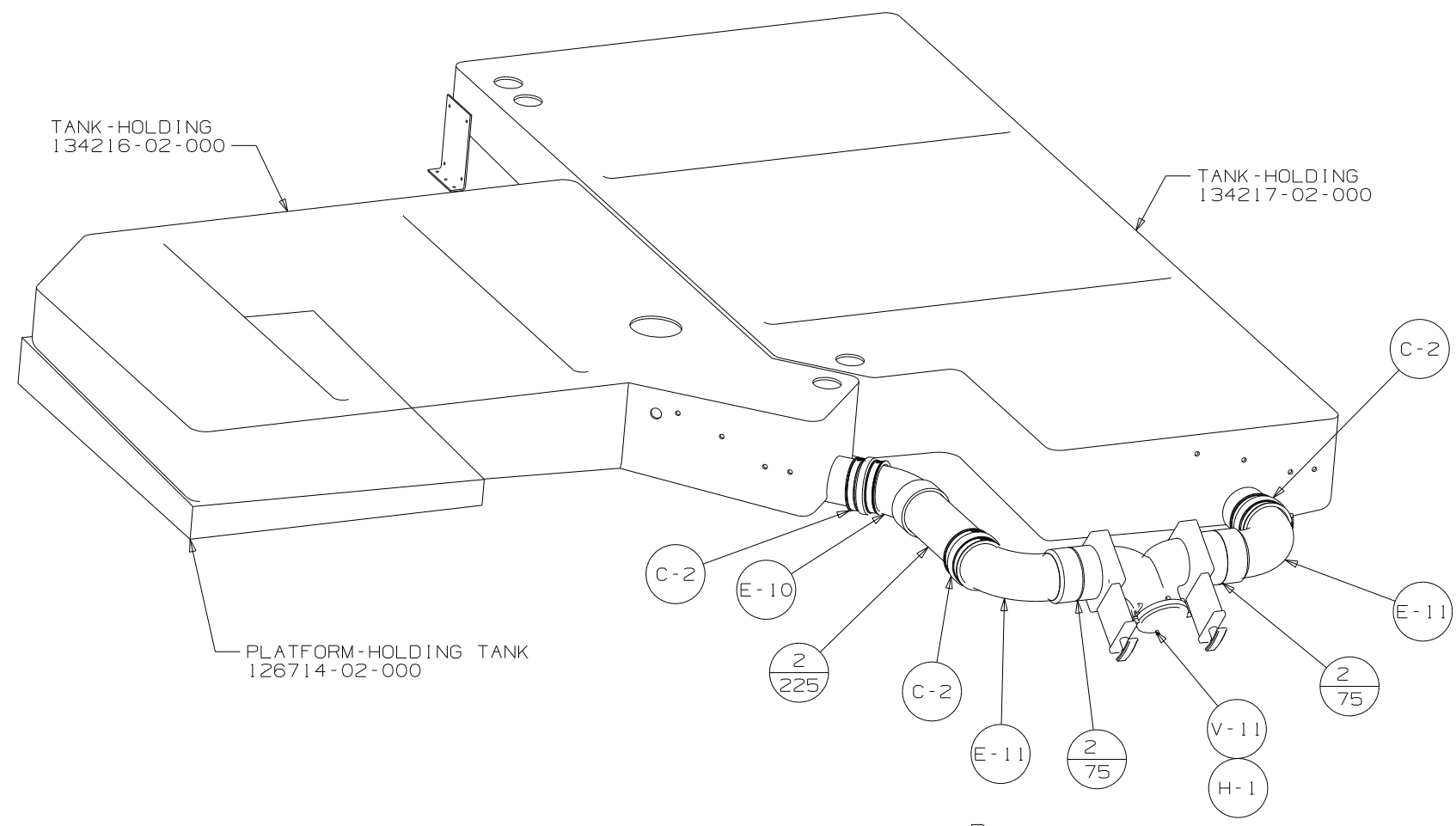
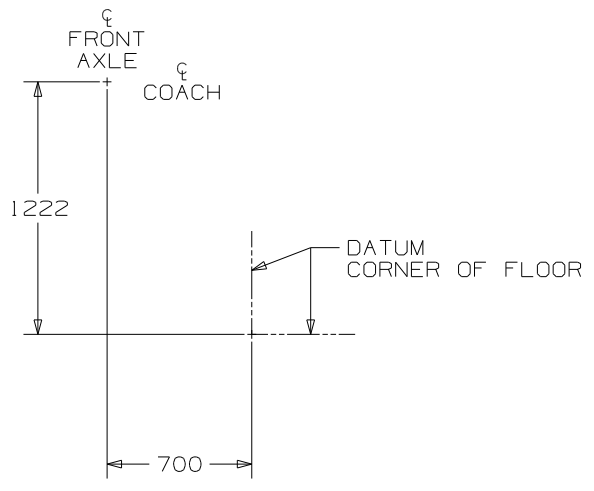
VIEW B

FIRST USED	
03 L36W	
DO NOT SCALE DRAWING	
TITLE:	
DRAINAGE SYSTEM INSTL	
SHEET 2	PART NO
	142443





VIEW C

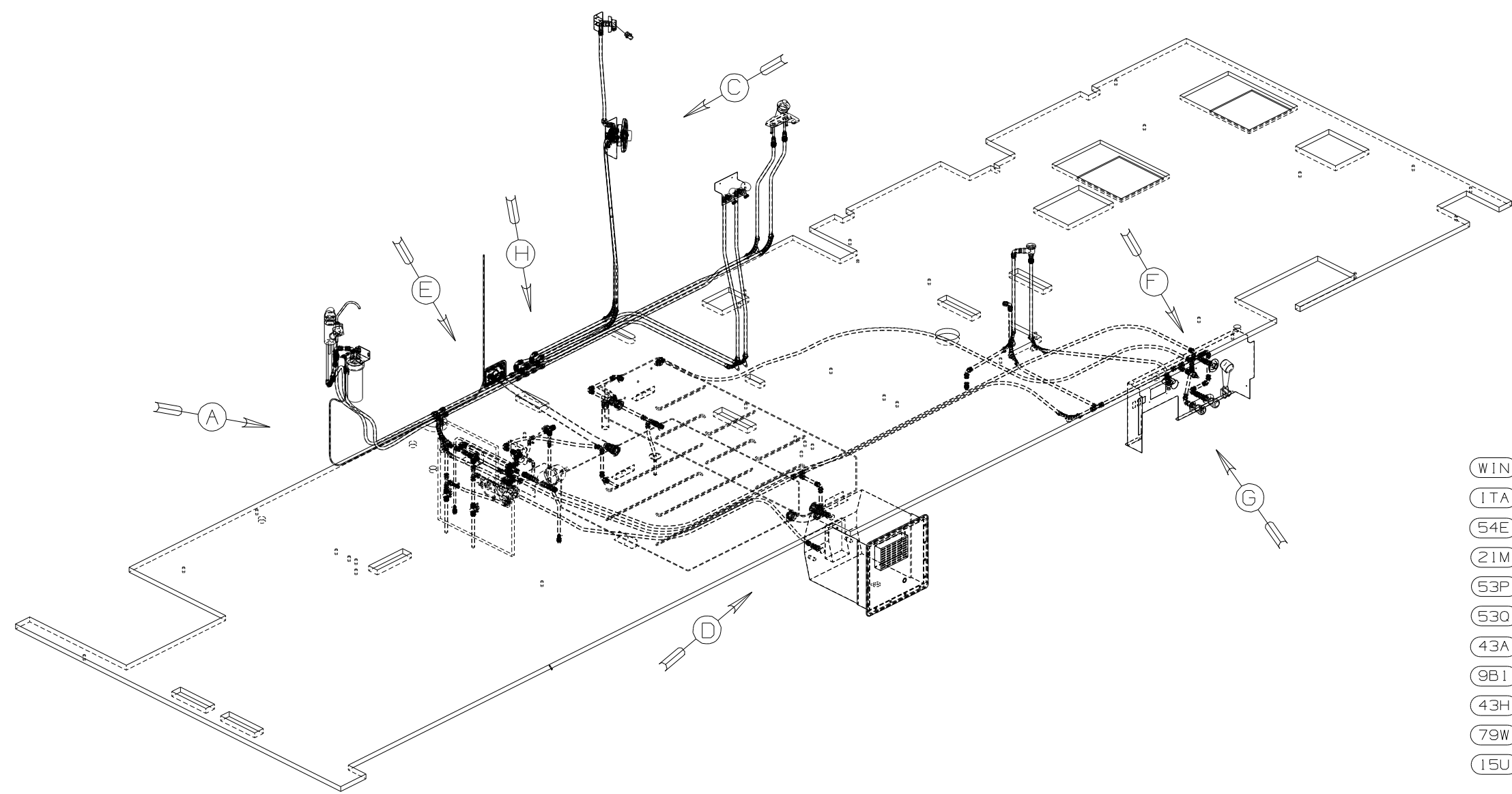


VIEW D

FIRST USED	03 L36W
DO NOT SCALE DRAWING	
TITLE	DRAINAGE SYSTEM INSTL
SHEET 3	PART NO 142443

DWG NO	----
142442-01	(WIN)
142442-02	(ITA)

RELEASE	REV DATE	DWG NO
A		142442
REV ZONE	REVISION RECORD	DATE DFR-ORIG

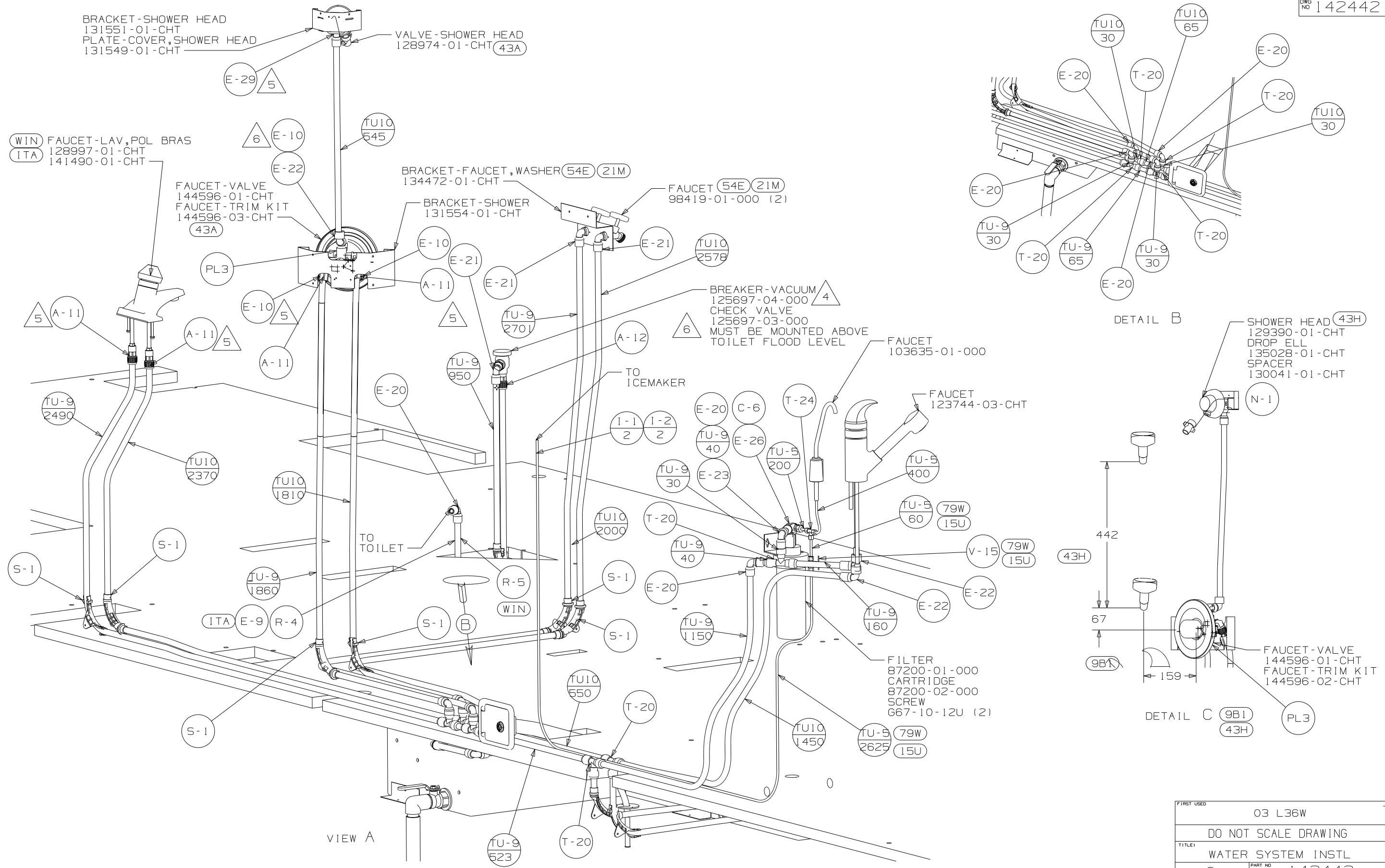


- (WIN) WINNEBAGO ONLY
- (ITA) ITASCA ONLY
- (54E) WASHER DRYER
- (21M) WASHER DRYER PREP
- (53P) WINTERIZING VALVE, MANUAL
- (53Q) WINTERIZING KIT
- (43A) SHOWER HEAD-FIXED
- (9B1) SHOWER PACKAGE
- (43H) SHOWER HEAD-HAND HELD
- (79W) REFRIGERATOR-4 DOOR
- (15U) REFRIGERATOR/FRZR W/ICEMAKER

- NOTES:
7. ADD TEFLON TAPE 10405-03-000.
 6. ADD TEFLON TAPE 100405-02-000.
 5. ADD TEFLON TAPE 10405-01-000.
 4. FLUSHING SYSTEM REQUIRES 125697-06-000 INSTRUCTION SHEET.
3. ALL TUBING TO BE SECURED AT 1200 INTERVALS MAXIMUM WITH CLAMP 10495-01-000 OR CLIP 9151-01-000 AND SCREW 667-10-12B.
 2. TUBING TO BE INSTALLED WITH SUFFICIENT SLOPE TO PROVIDE DRAINAGE TO NEAREST VALVE.
 1. PLASTIC FITTINGS TO BE SEALED WITH SEALANT 84456-01-000.

WINNEBAGO		COPYRIGHT 2003 WINNEBAGO INDUSTRIES, INC.	
DFTR	ORIG. DATE	ALL DIMENSIONS ARE IN MILLIMETERS	
CHKR		FIRST USED	
P.E.		03 L36W	
M.E.		UNSPECIFIED TOLERANCES ARE:	
DSNR		MATERIAL:	
		WHOLE DIM (X)	: 3
		ONE-PLACE (X.X)	:
		TWO-PLACE (X.XX)	:
		ANGLE	:
THIRD ANGLE PROJECTION		DO NOT SCALE DRAWING	
TITLE: WATER SYSTEM INSTL			
SHEET 1 OF 4		PART NO 142442	

(X-X)
FOR
WATER
CALLOUTS
SEE DWG NO
116230-01-000

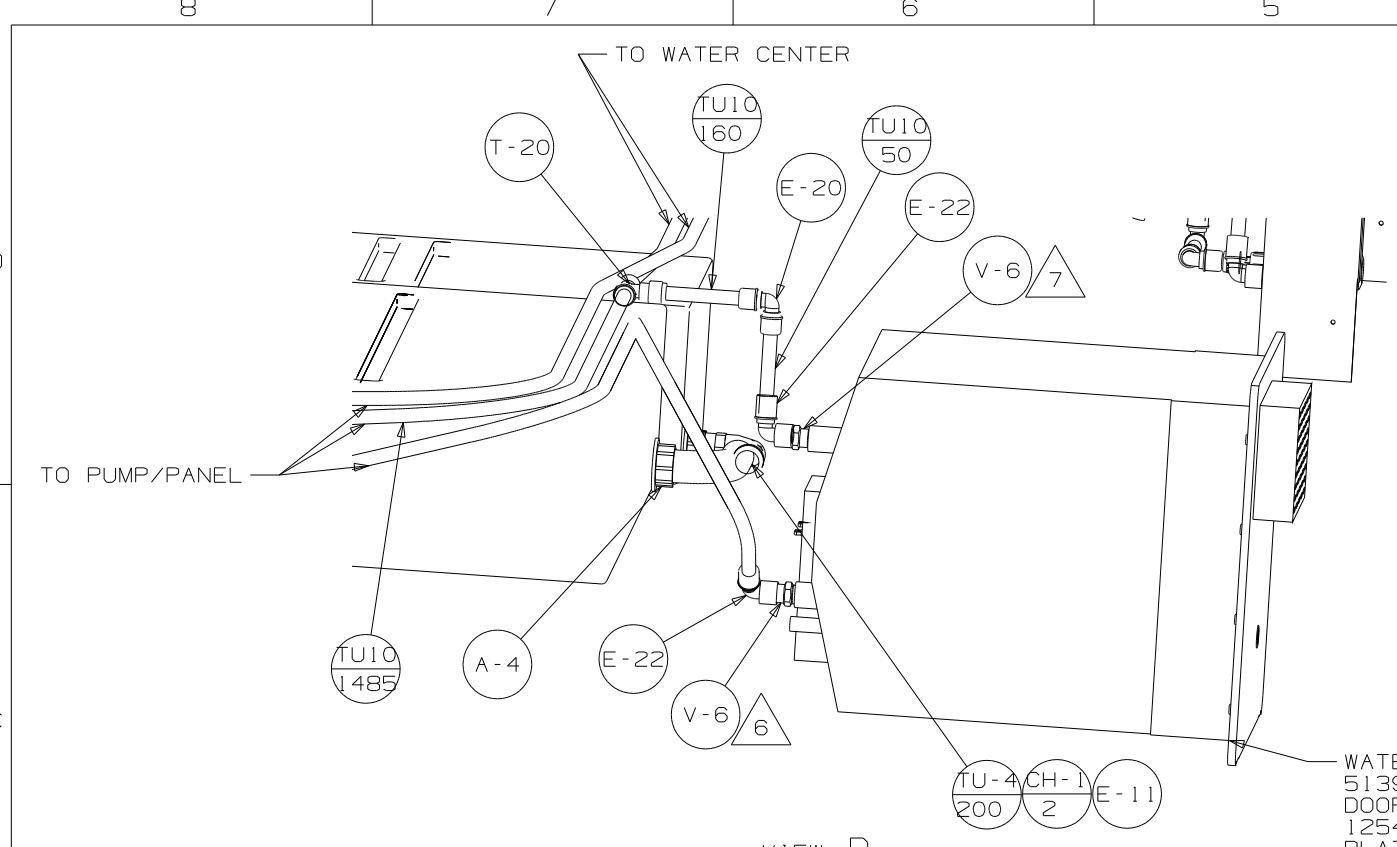


VIEW A

DETAIL B

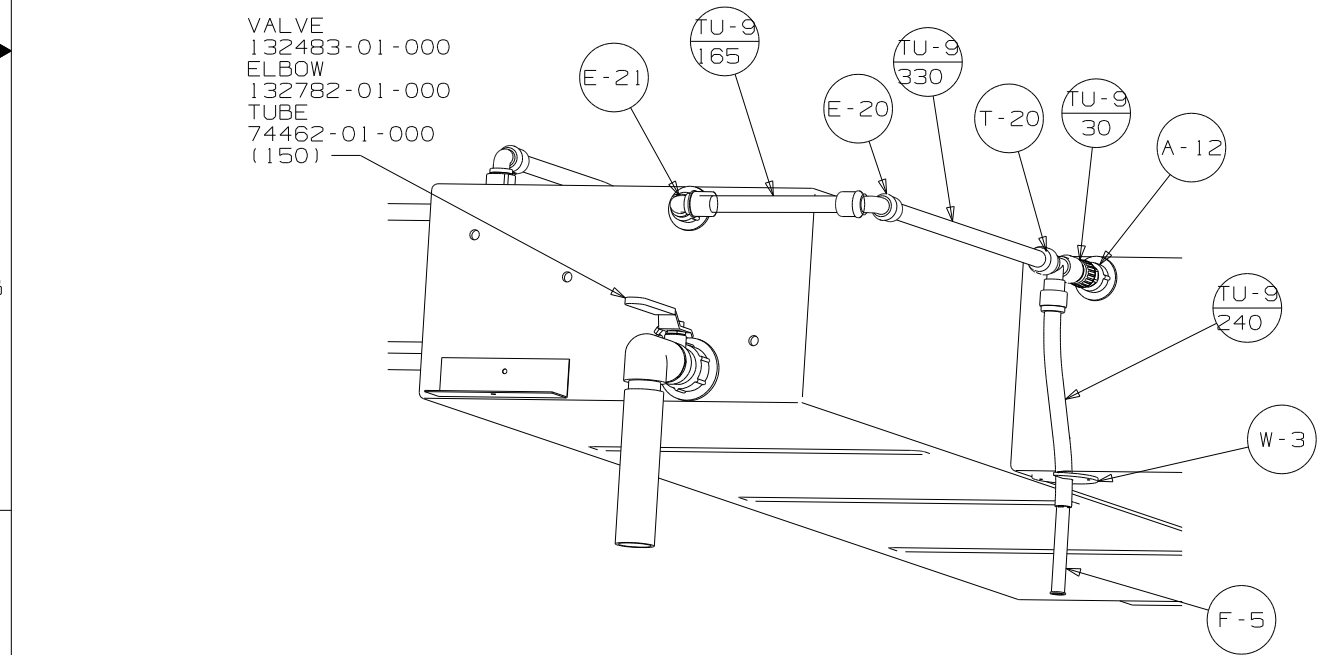
DETAIL C

FIRST USED	03 L36W
TITLE	DO NOT SCALE DRAWING
TITLE	WATER SYSTEM INSTL
SHEET 2	PART NO 142442

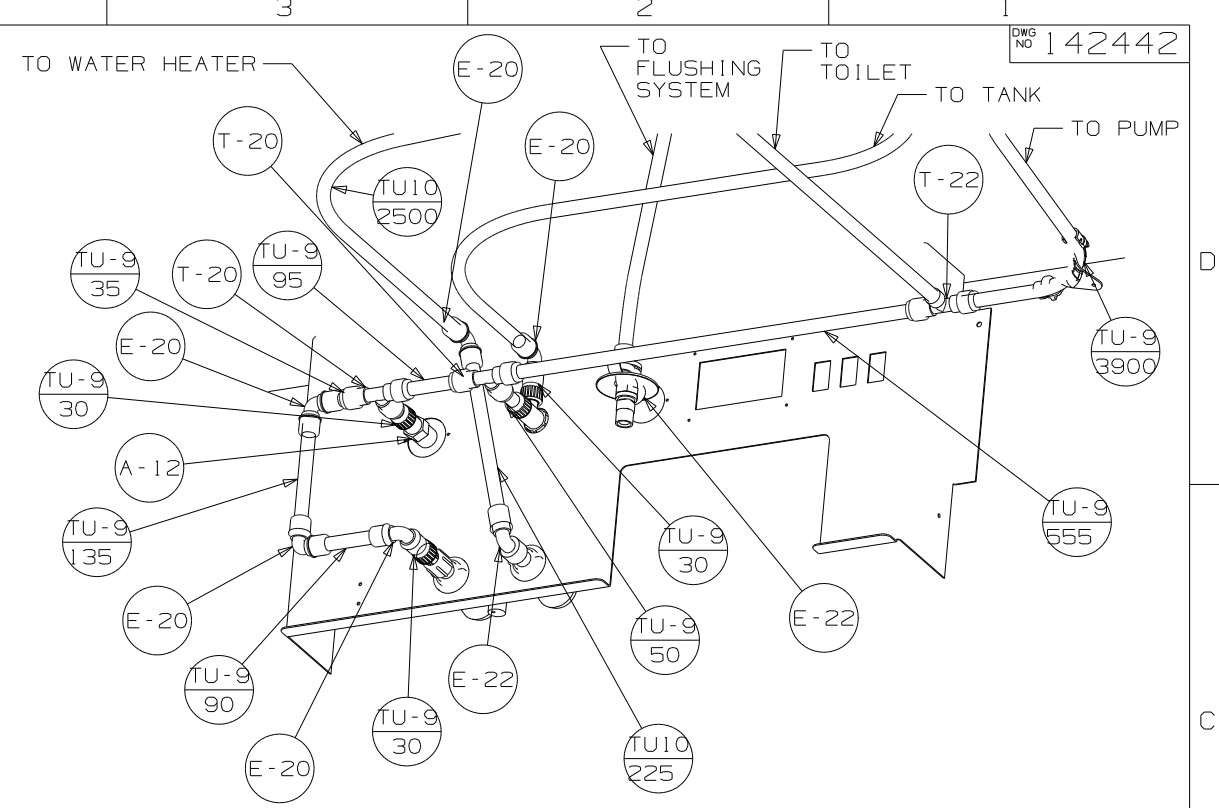


VIEW D

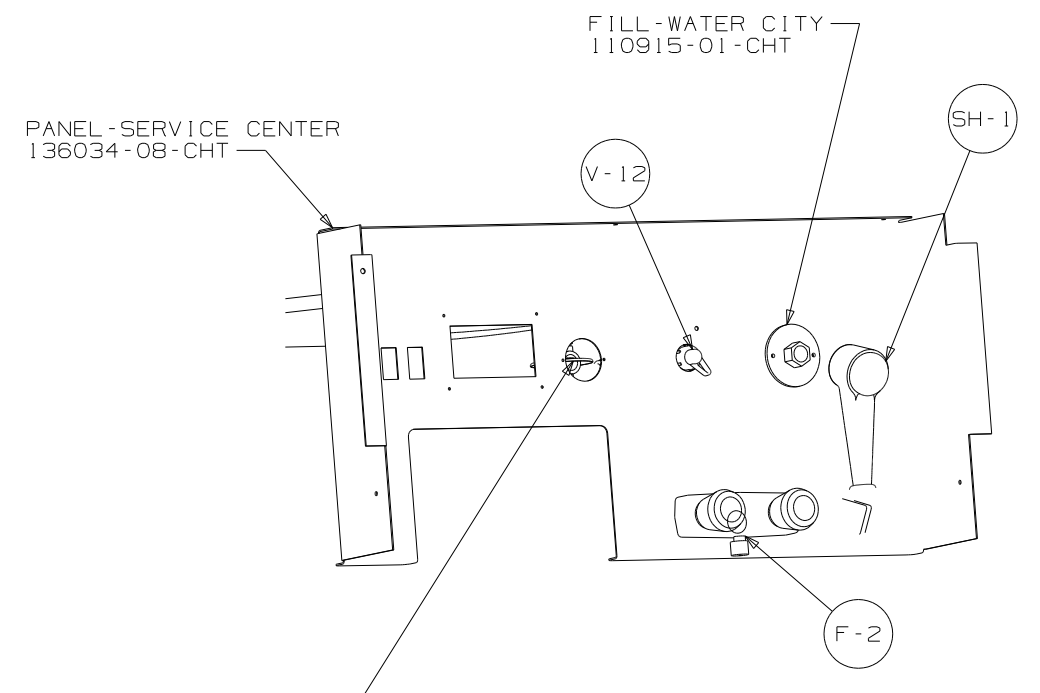
WATER HEATER-10 GAL
 51391-05-000
 DOOR
 125420-01-CHT
 PLATE-WATER HEATER
 133224-01-CHT
 (TAB TO FRONT)
 SCREW
 G39-10-10T (16)
 BUMPER INSTL
 146507-01-000



VIEW E

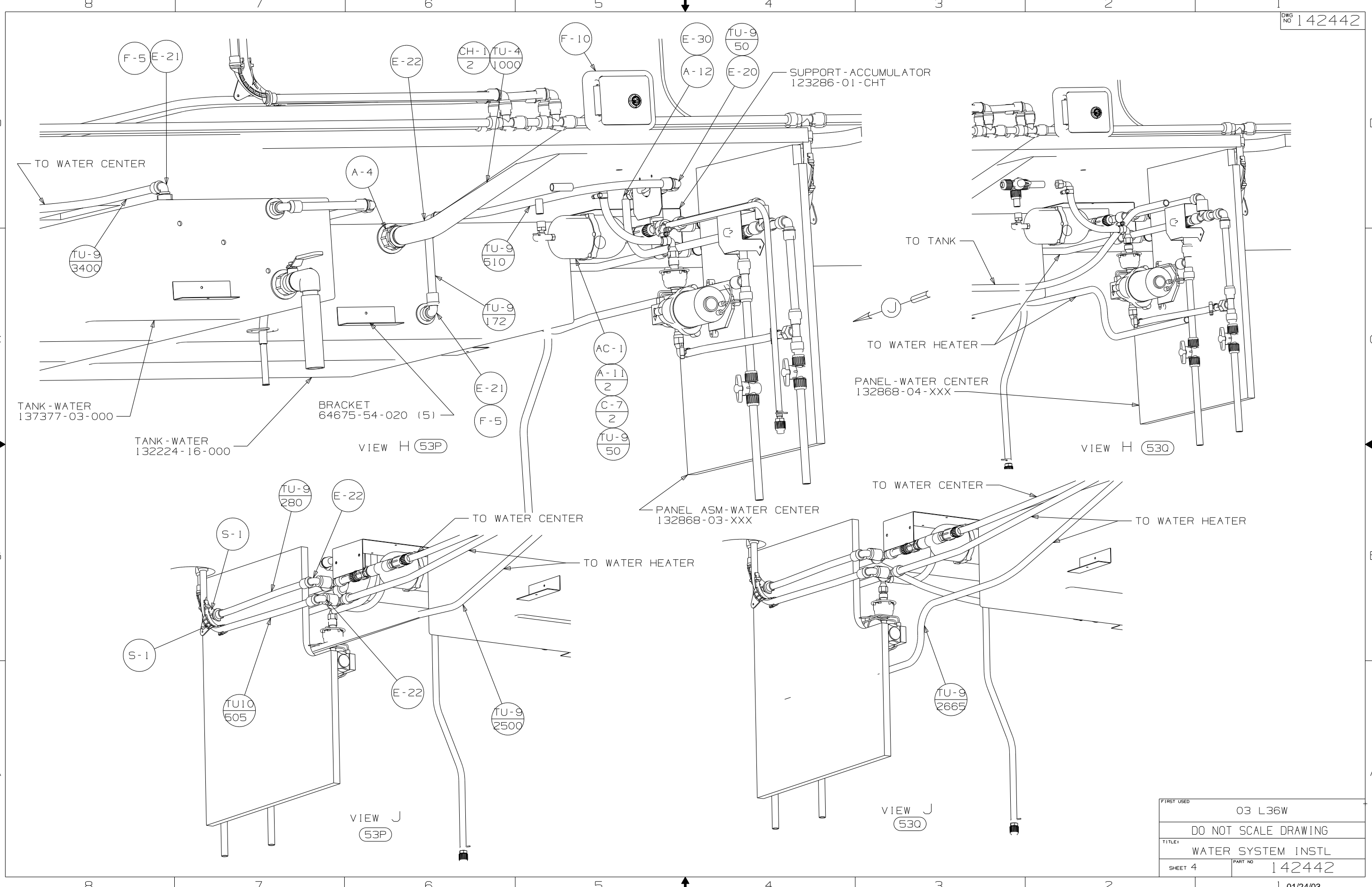


VIEW F



VIEW G

FIRST USED	03 L36W
TITLE	DO NOT SCALE DRAWING
TITLE	WATER SYSTEM INSTL
SHEET 3	PART NO 142442



FIRST USED	03 L36W
DO NOT SCALE DRAWING	
TITLE	WATER SYSTEM INSTL
SHEET 4	PART NO 142442