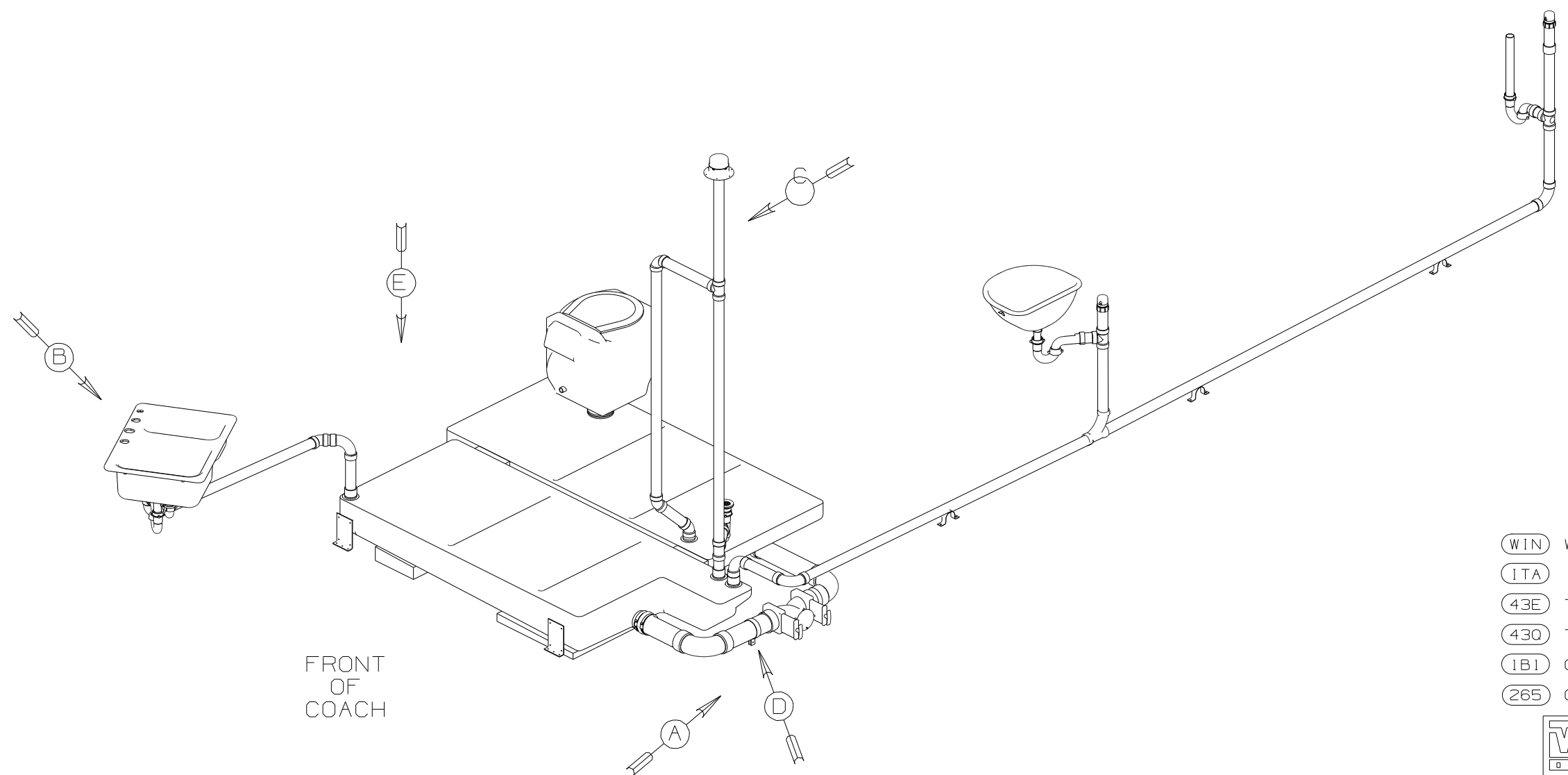


DWG NO	----
140883-01	(WIN)
140883-02	(ITA)

RELEASE	REV DATE A	DWG NO 140883
REV ZONE	REVISION RECORD	DATE DFR-0R16



FRONT
OF
COACH

- (WIN) WINNEBAGO ONLY
- (ITA) ITASCA ONLY
- (43E) TOILET PORCELAIN-ROUND
- (43Q) TOILET-PORCELAIN
- (1B1) CODES/STANDARDS USA
- (265) CODES/STANDARDS-CSA/CMVSS

- NOTES:
1. SLOPE OF HORIZONTAL PIPING TO BE MIN 3 PER 305 mm.
 2. SLOPE OF TRAP ARM MUST BE 6 PER 305 mm.
 3. ALL PIPE AND FITTINGS TO BE ASSEMBLED WITH SOLVENT 4020-01-000.
 4. ALL EXTERIOR OPENINGS AROUND PIPE TO BE SEALED WITH 131264-03-000.
 5. SEAL AROUND SHOWER WITH SILICONE.
 6. VENT PIPE MUST PROECT 51 MIN AND 64 MAX ABOVE ROOF FOR PROPER FIT AND FUNCTION.

(X-X)
FOR
DRAINAGE
CALLOUTS
SEE DWG NO
116229-01-000

WINNEBAGO		COPYRIGHT 2003 WINNEBAGO INDUSTRIES, INC.	
DFTR	ORIG. DATE	ALL DIMENSIONS ARE IN MILLIMETERS	
CHKR		FIRST USED	
P.E.		03 G38G	
M.E.		UNSPECIFIED TOLERANCES ARE:	
DSNR		MATERIAL:	
		WHOLE DIM (X) :	7
		ONE-PLACE (X.X) :	
		TWO-PLACE (X.XX) :	
		ANGLE :	
THIRD ANGLE PROJECTION		DO NOT SCALE DRAWING	
TITLE: DRAINAGE SYSTEM INSTL			
SHEET 1 OF 3		PART NO 140883	

SINK-SMC, DBL L/S BASIN
136828-03-CHT (US/CAN)
STRAINER
92303-01-000 (2)
ANGLE
140002-01-CHT (10)
SCREW
G67-01-08B (8)
WASHER
127440-02-CHT (2)
SEAL
(A/R)

PIPE-STAND
130234-01-000

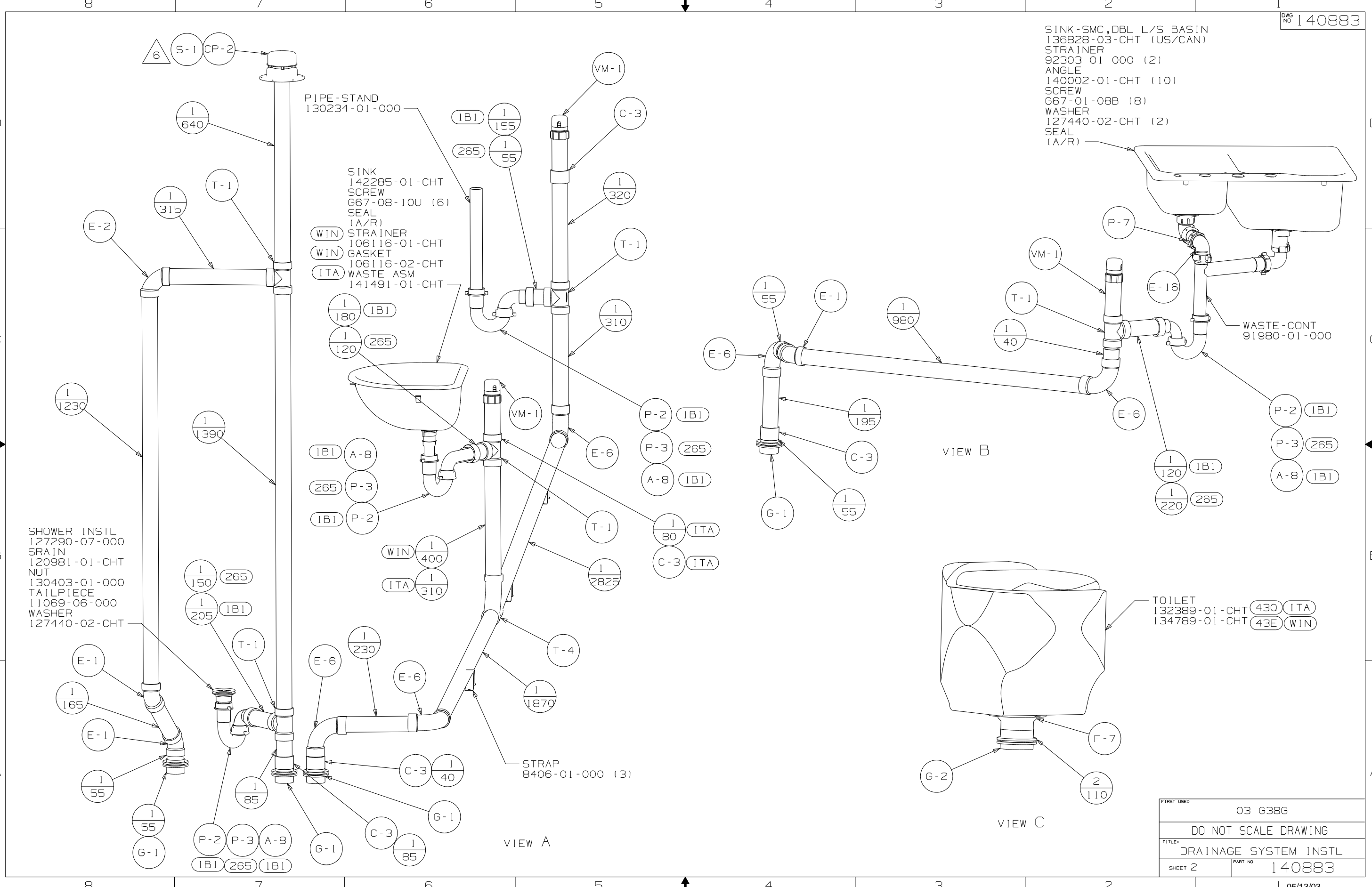
SINK
142285-01-CHT
SCREW
G67-08-10U (6)
SEAL
(A/R)
WIN STRAINER
106116-01-CHT
WIN GASKET
106116-02-CHT
ITA WASTE ASM
141491-01-CHT

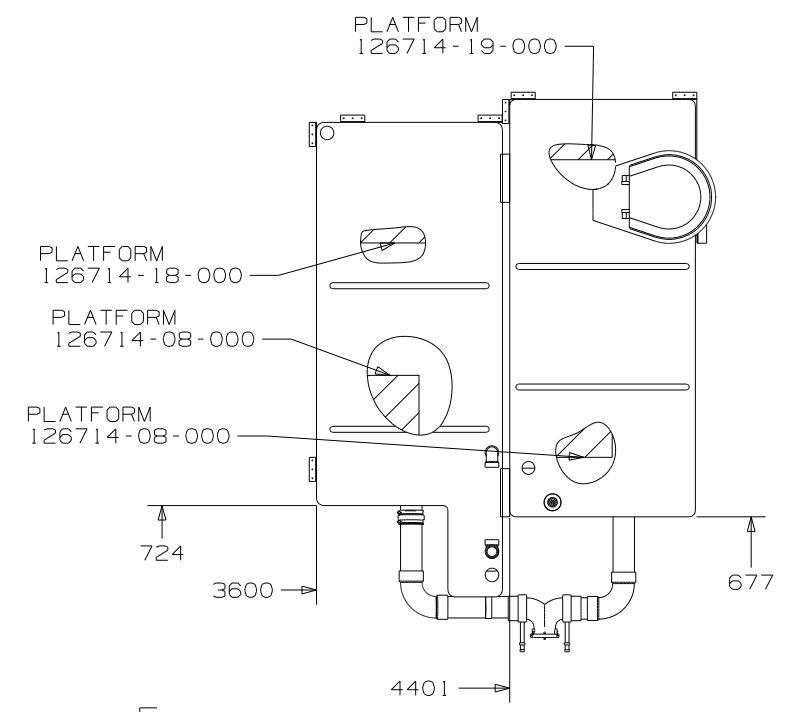
SHOWER INSTL
127290-07-000
SRAIN
120981-01-CHT
NUT
130403-01-000
TAILPIECE
11069-06-000
WASHER
127440-02-CHT

TOILET
132389-01-CHT (43Q) (ITA)
134789-01-CHT (43E) (WIN)

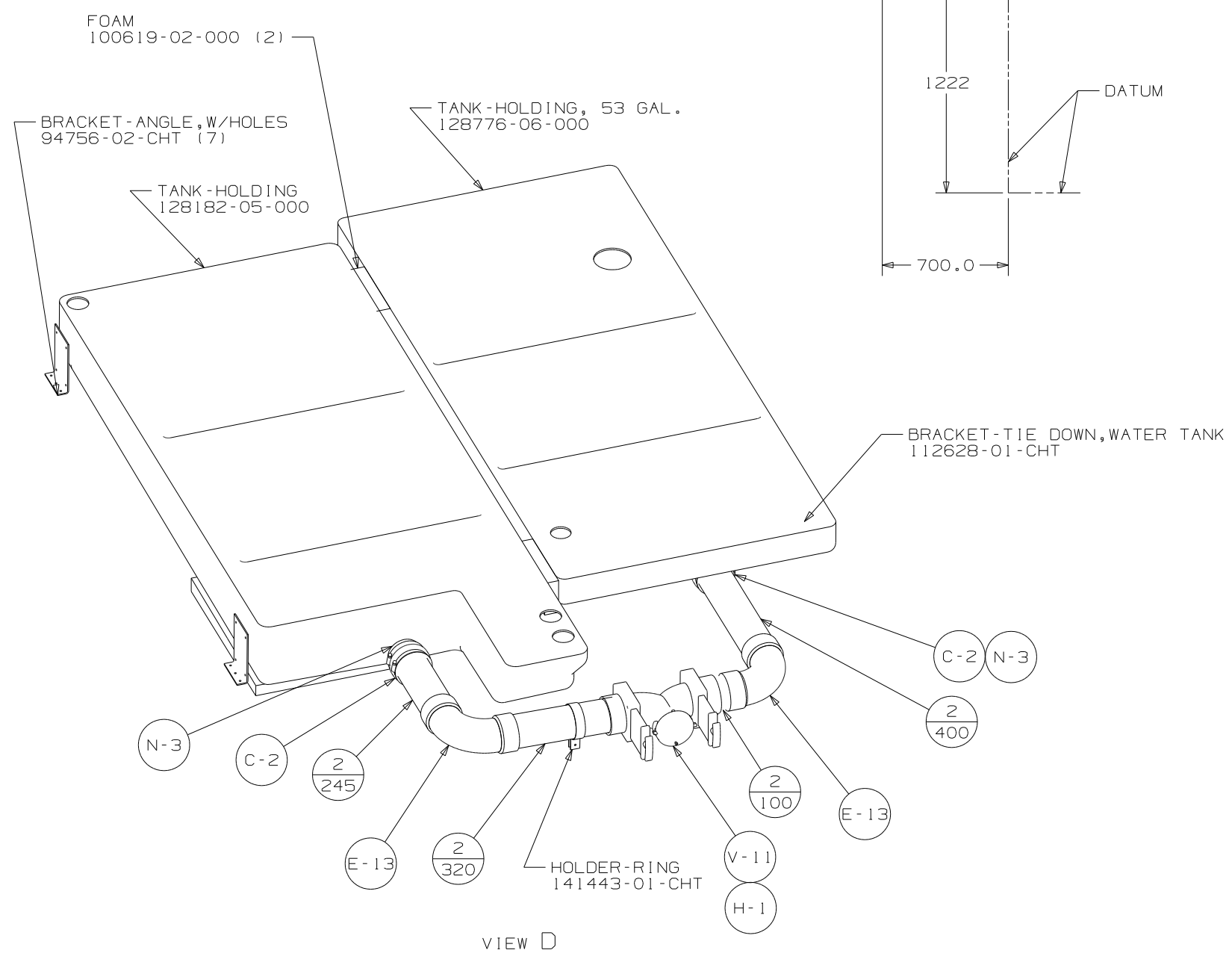
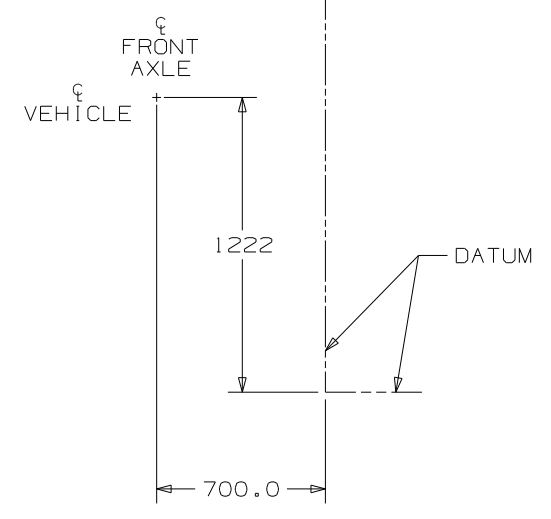
STRAP
8406-01-000 (3)

FIRST USED	03 G38G
DO NOT SCALE DRAWING	
TITLE	DRAINAGE SYSTEM INSTL
SHEET 2	PART NO 140883





VIEW E

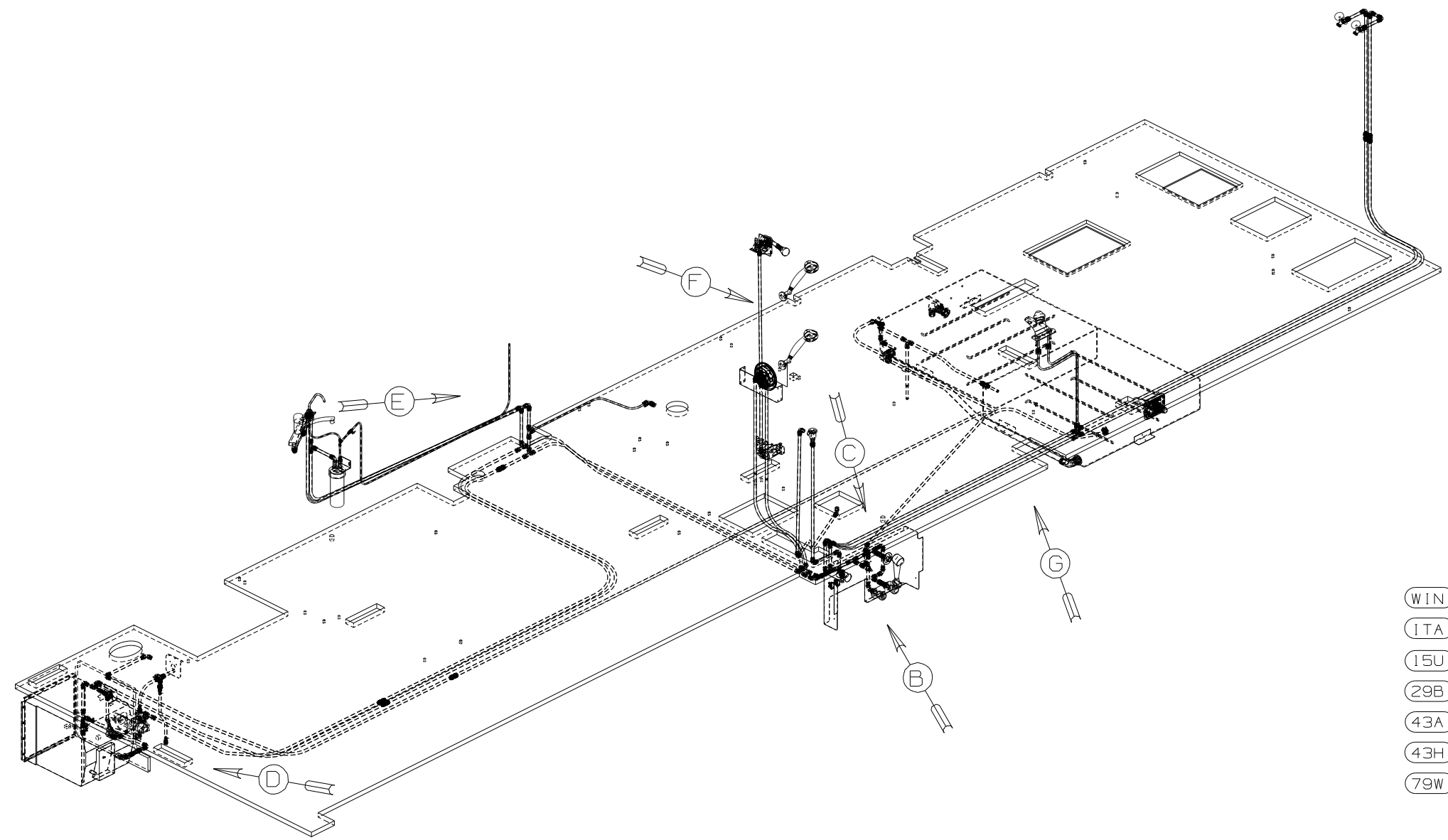


VIEW D

FIRST USED	03 G38G
DO NOT SCALE DRAWING	
TITLE	DRAINAGE SYSTEM INSTL
SHEET 3	PART NO 140883

DWG NO	---
140882-01	(WIN)
140882-02	(ITA)

RELEASE	REV DATE	DWG NO
A		140882
REV ZONE	REVISION RECORD	DATE
		DFTR-ORIG



- (WIN) WINNEBAGO ONLY
- (ITA) ITASCA ONLY
- (15U) REFRIGERATOR/FRZR W/ICEMAKER
- (29B) WATER PURIFIER
- (43A) SHOWER HEAD-FIXED
- (43H) SHOWER HEAD-HAND HELD
- (79W) REFRIGERATOR 4-DOOR

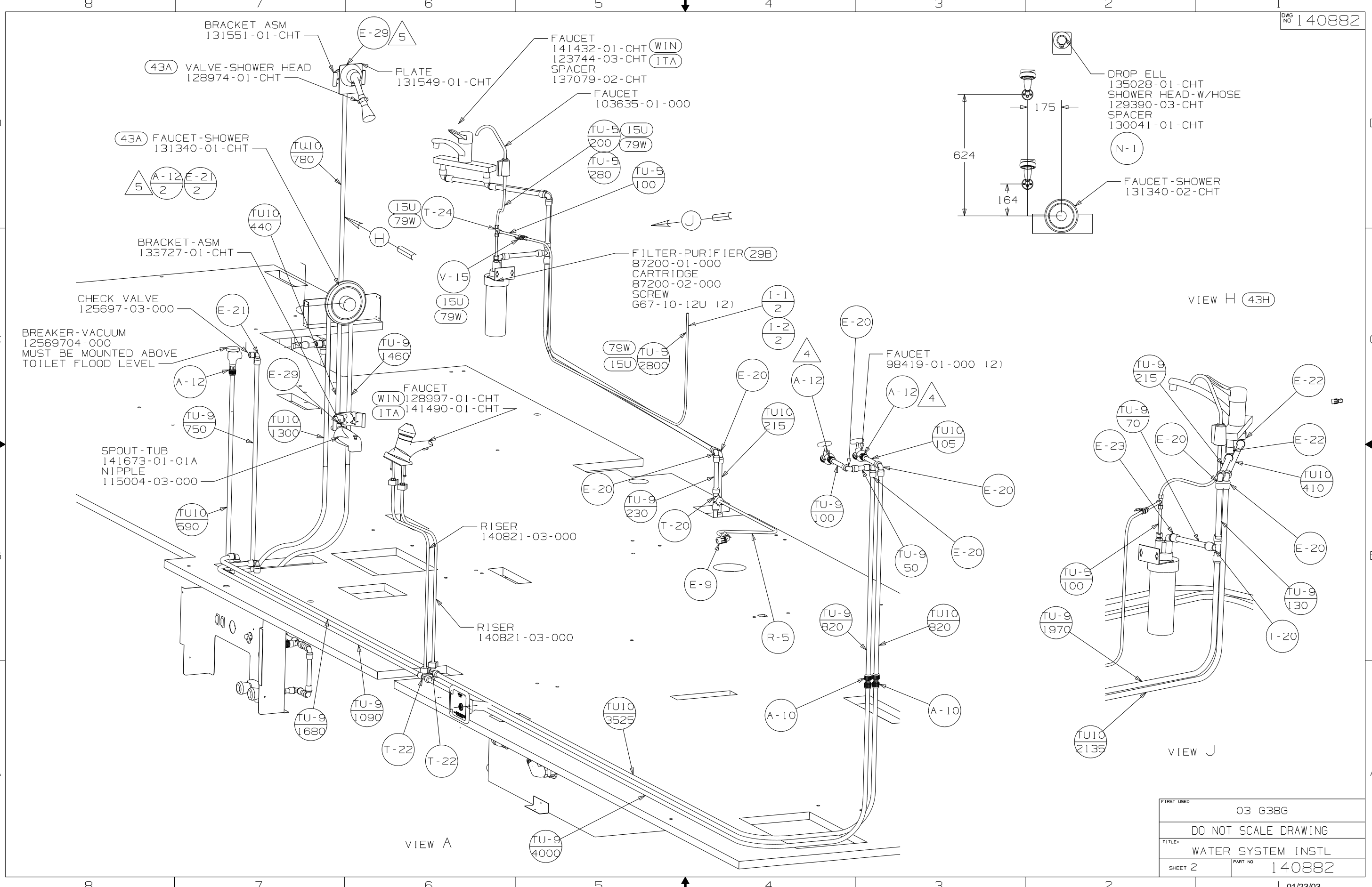
- 5 ADD TEFLON TAPE 10405-01-000.
- 4 ADD TEFLON TAPE 10405-02-000.

- 3. ALL TUBING TO BE SECURED AT 1200 INTERVALS MAXIMUM WITH CLAMP 10495-01-000 OR CLIP 9151-01-000 AND SCREW G67-10-12B.
- 2. TUBING TO BE INSTALLED WITH SUFFICIENT SLOPE TO PROVIDE DRAINAGE TO NEAREST VALVE.
- 1. PLASTIC FITTINGS TO BE SEALED WITH SEALANT 84456-01-000.

NOTES:

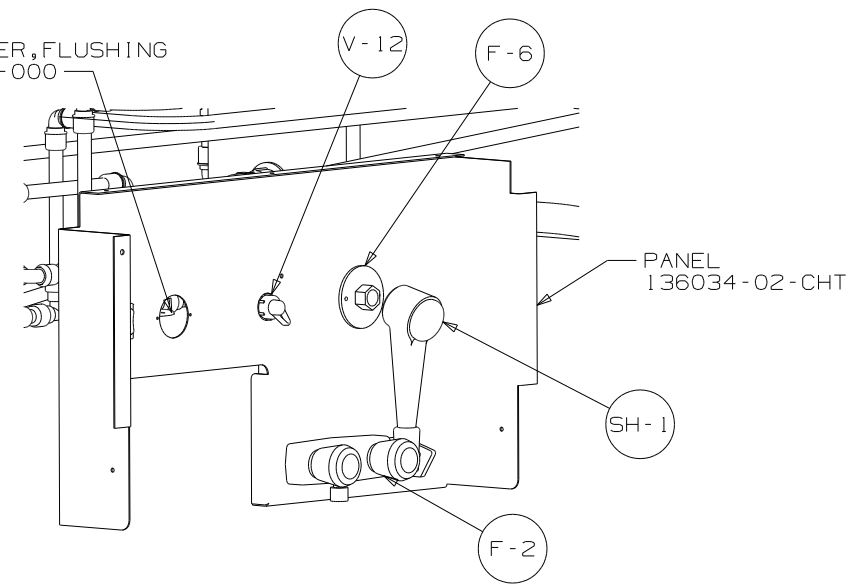
(X-X)
FOR WATER CALLOUTS SEE DWG NO 116230-01-000

WINNEBAGO		COPYRIGHT 2003 WINNEBAGO INDUSTRIES, INC.	
DFTR	ORIG. DATE	ALL DIMENSIONS ARE IN MILLIMETERS	
CHKR		03 G38G	
P.E.		FIRST USED	
M.E.			
DSNR			
UNSPECIFIED TOLERANCES ARE:		MATERIAL:	
WHOLE DIM (X)	: 7	<input checked="" type="checkbox"/>	
ONE-PLACE (X.X)	:	<input checked="" type="checkbox"/>	
TWO-PLACE (X.XX)	:	<input checked="" type="checkbox"/>	
ANGLE	:	<input checked="" type="checkbox"/>	
THIRD ANGLE PROJECTION		<input checked="" type="checkbox"/>	
DO NOT SCALE DRAWING			
TITLE: WATER SYSTEM INSTL			
SHEET 1 OF 4		PART NO 140882	
REF: 138366 1 01/23/03			



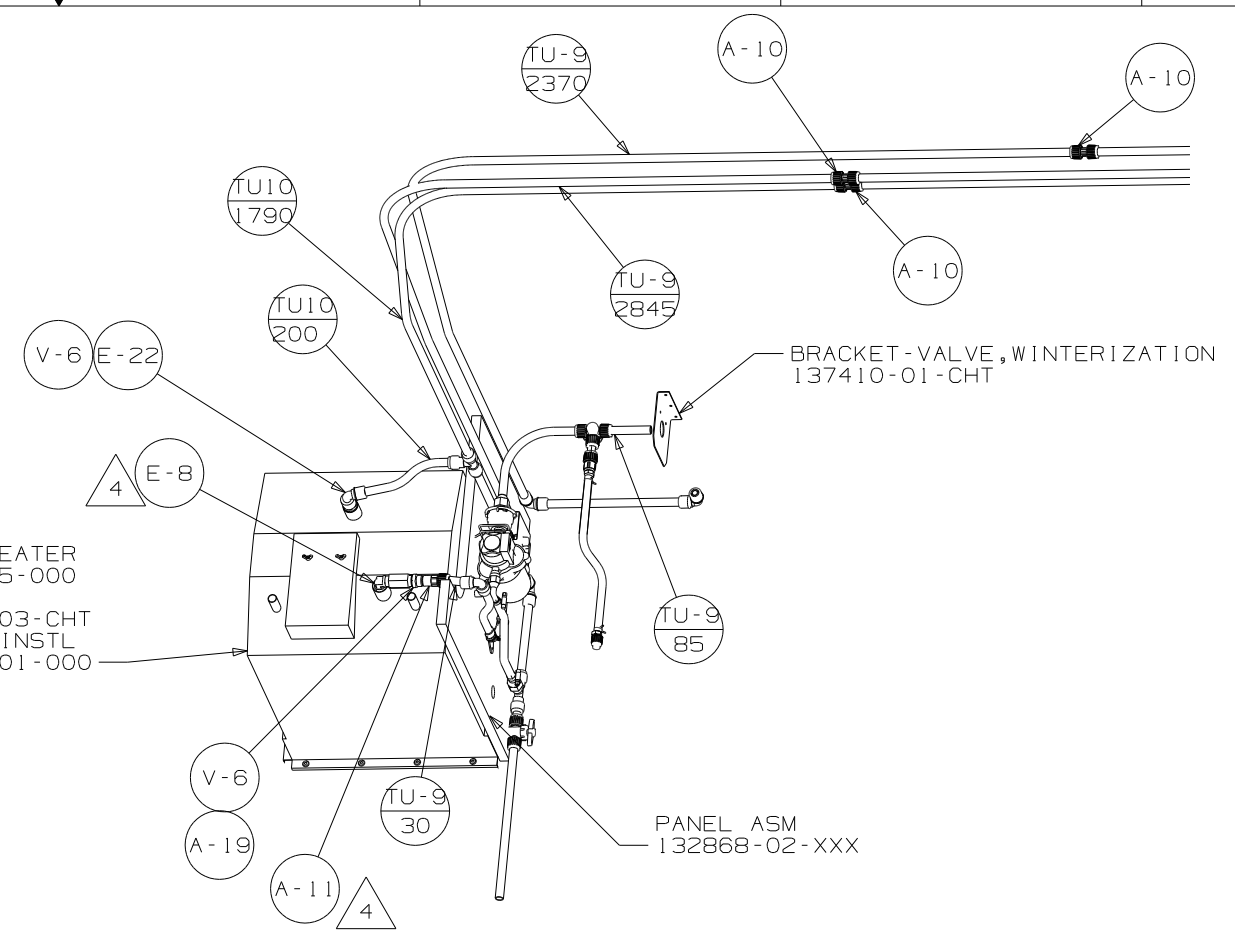
FIRST USED	03 G38G
TITLE	DO NOT SCALE DRAWING
SHEET 2	PART NO 140882
1 01/23/03	

INLET - WATER, FLUSHING
125697-05-000

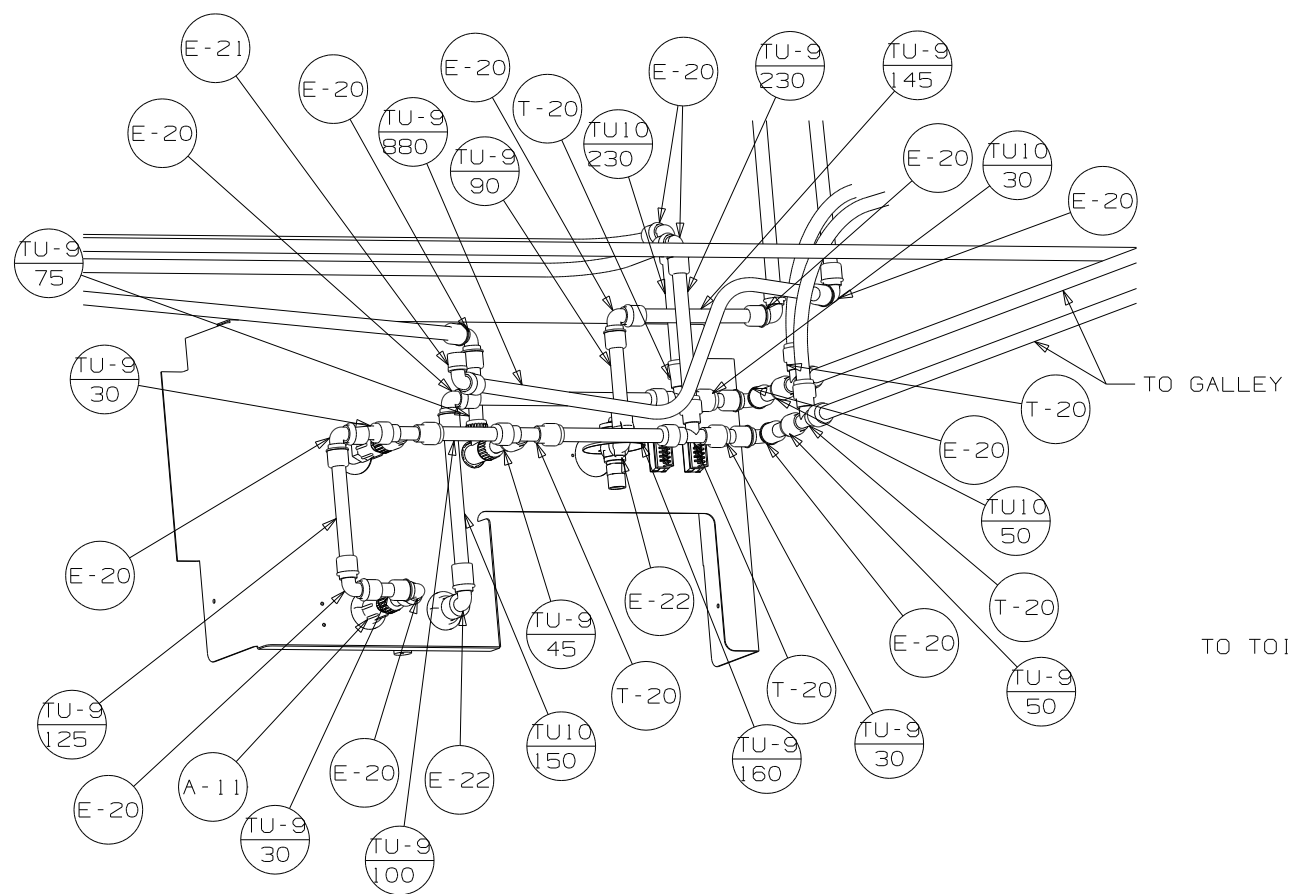


VIEW B

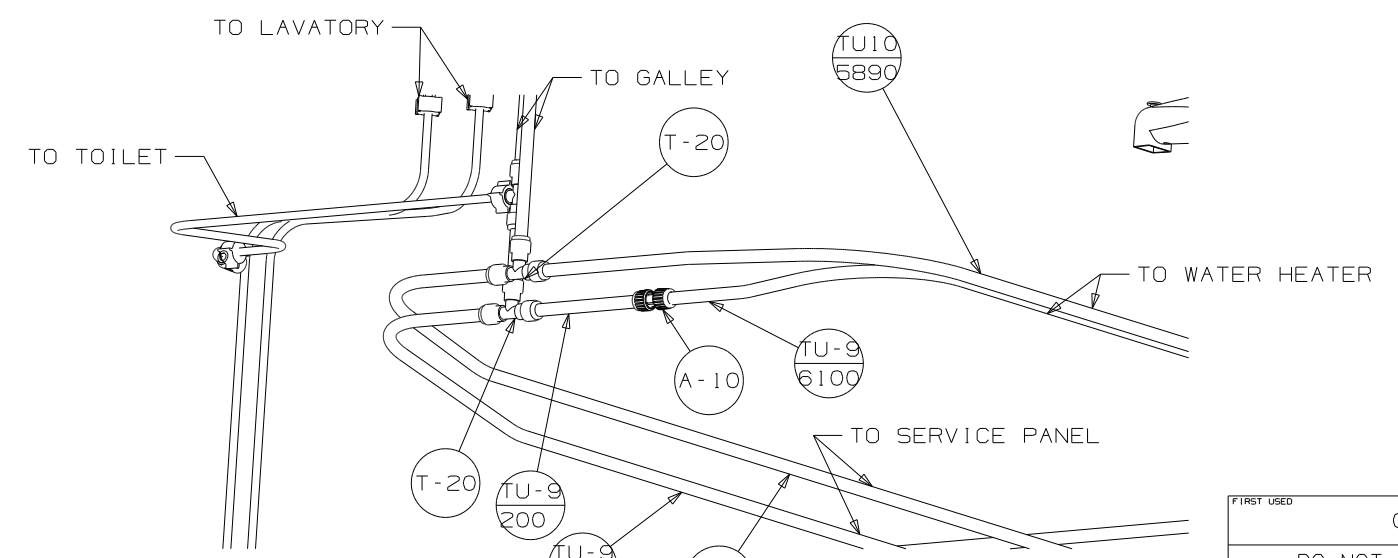
4 WATER HEATER
51391-05-000
DOOR
125420-03-CHT
BUMPER INSTL
146507-01-000



VIEW D

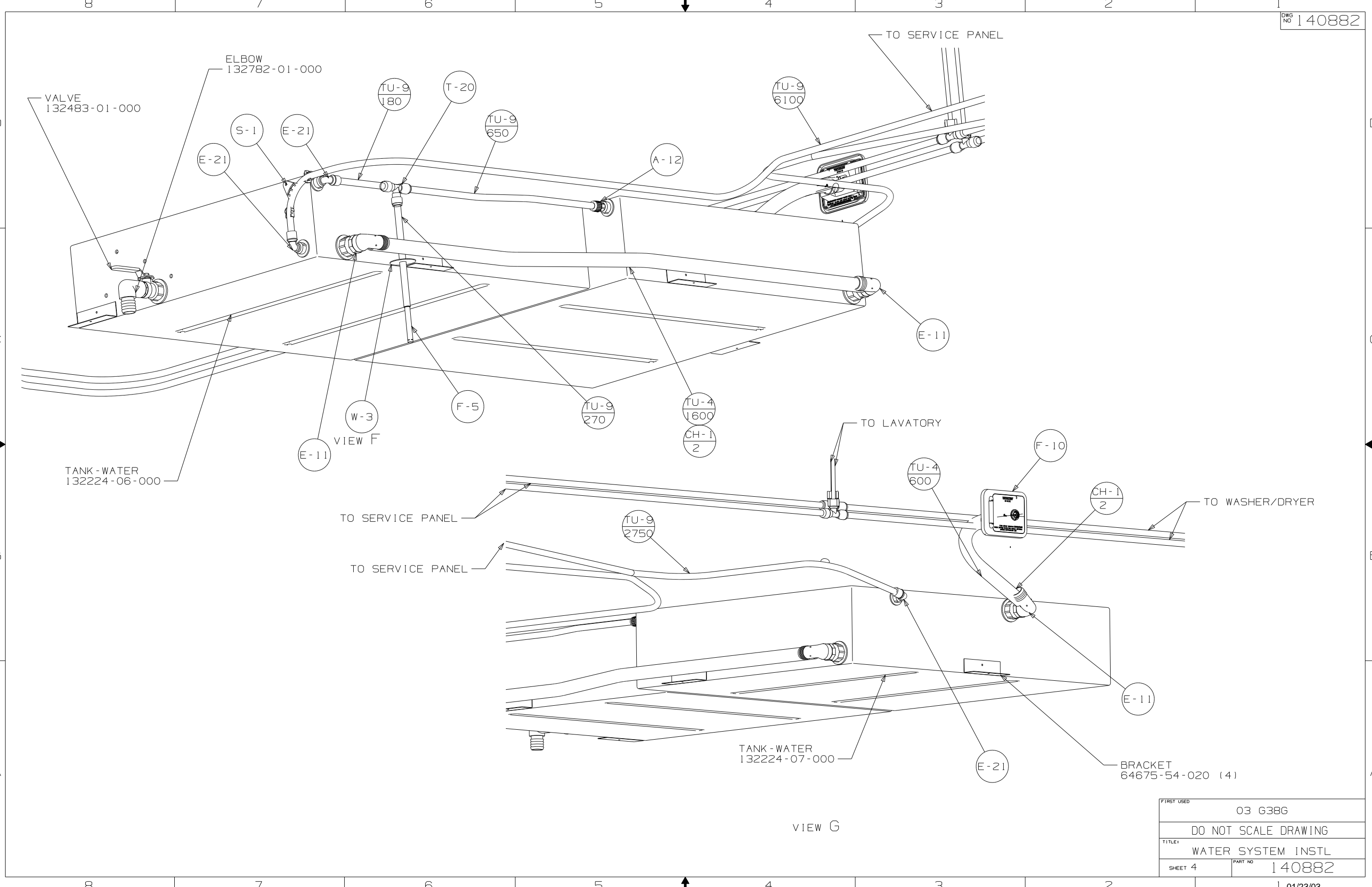


VIEW C



VIEW E

FIRST USED	03 G38G
TITLE:	DO NOT SCALE DRAWING
SHEET 3	PART NO 140882



FIRST USED	03 G38G
TITLE	DO NOT SCALE DRAWING
SHEET 4	PART NO 140882