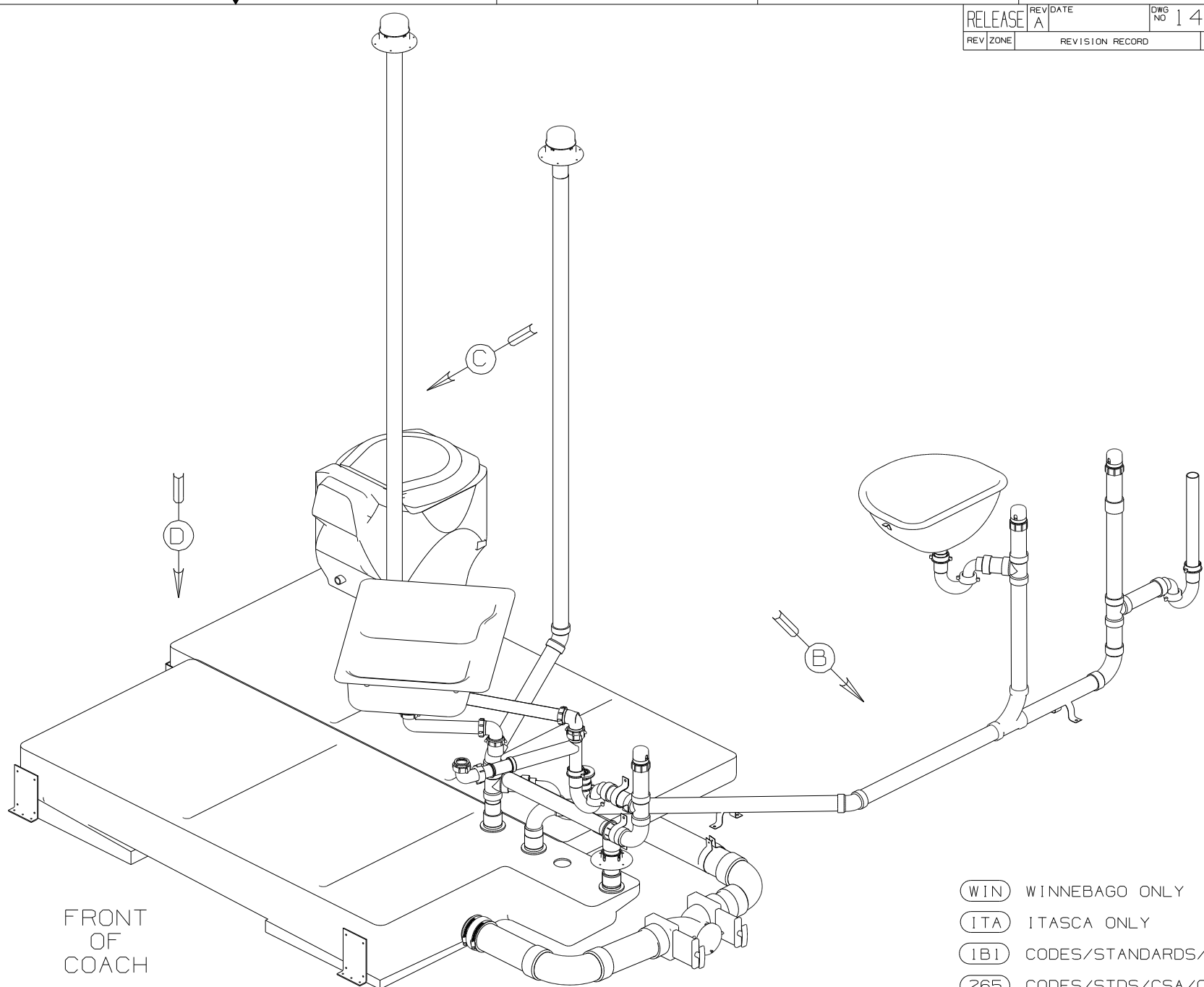


DWG NO	---
143382-01	(WIN)
143382-02	(ITA)

RELEASE	REV DATE	DWG NO	143382
REV ZONE	REVISION RECORD	DATE	DFT-016



FRONT
OF
COACH

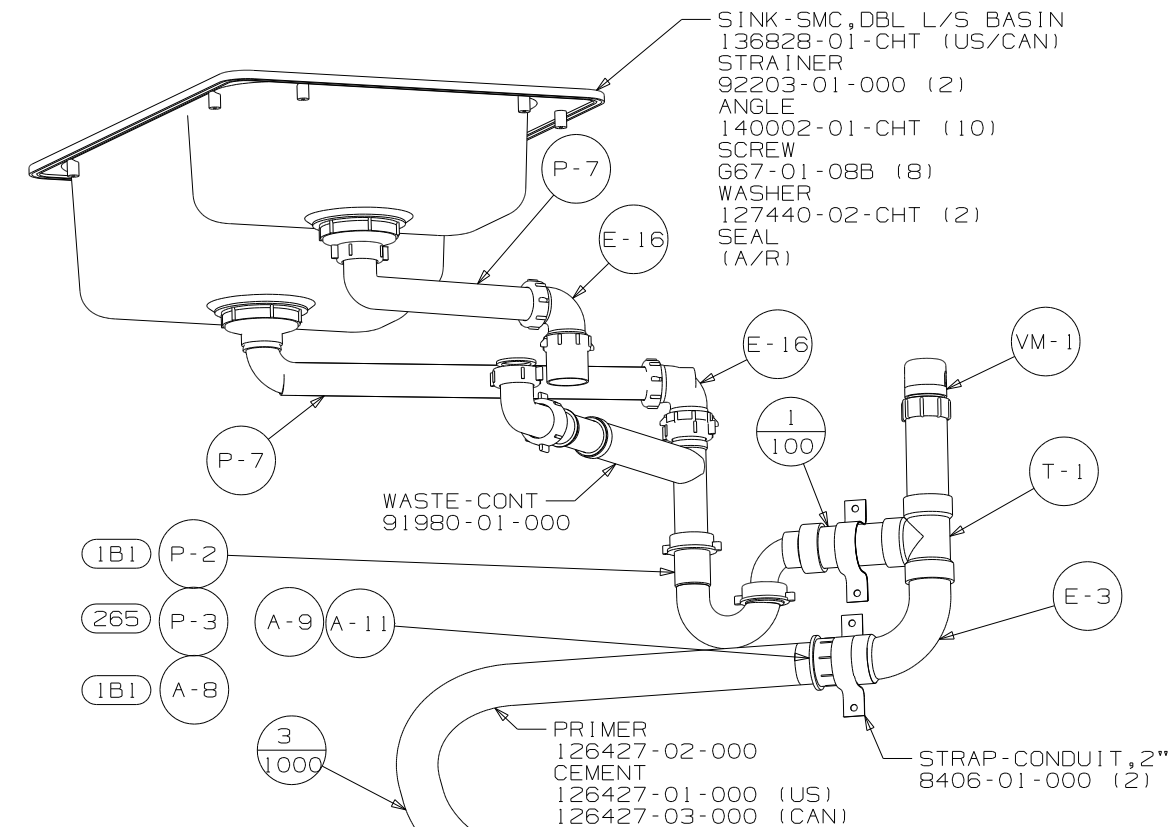
- (WIN) WINNEBAGO ONLY
- (ITA) ITASCA ONLY
- (IBI) CODES/STANDARDS/USA
- (265) CODES/STDS/CSA/CMVSS

- 6 VENT PIPE MUST PROECT 51 MIN AND 64 MAX ABOVE ROOF FOR PROPER FIT AND FUNCTION.
5. SEAL AROUND SHOWER WITH SILICONE.
 4. ALL EXTERIOR OPENINGS AROUND PIPE TO BE SEALED WITH 100744-01-000.
 3. ALL PIPE AND FITTINGS TO BE ASSEMBLED WITH SOLVENT 4020-01-000 (US), 4020-02-000 (CAN).
 2. SLOPE OF TRAP ARM MUST BE 6 PER 305 mm.
 1. SLOPE OF HORIZONTAL PIPING TO BE MIN 3 PER 305 mm.

NOTES:

(X-X)
FOR
DRAINAGE
CALLOUTS
SEE DWG NO
116229-01-000

WINNEBAGO		COPYRIGHT 2003 WINNEBAGO INDUSTRIES, INC.	
DFT	ORIG. DATE	ALL DIMENSIONS ARE IN MILLIMETERS	
CHKR		FIRST USED	
P.E.		03 G37C	
M.E.		UNSPECIFIED TOLERANCES ARE:	
DSNR		MATERIAL:	
		WHOLE DIM (X)	: 3
		ONE-PLACE (X.X)	:
		TWO-PLACE (X.XX)	:
		ANGLE	:
THIRD ANGLE PROJECTION		DO NOT SCALE DRAWING	
TITLE: DRAINAGE SYSTEM INSTL			
SHEET 1 OF 3		PART NO 143382	



- SINK
142285-01-CHT
SCREW
G67-08-10U (6)
SEAL
(A/R)
STRAINER
106116-01-CHT (WIN)
GASKET
106116-02-CHT (WIN)
WASTE ASM
141491-01-CHT (ITA)

- SHOWER INSTL
131620-10-000
STRAINER
66440-01-000
NUT-SLIP
130403-01-000
TAILPIECE
11069-06-000
WASHER
127440-02-CHT

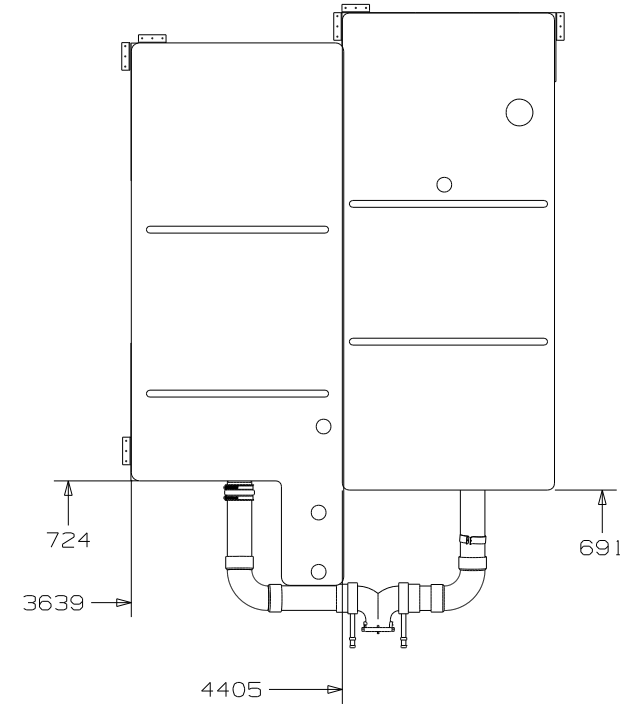
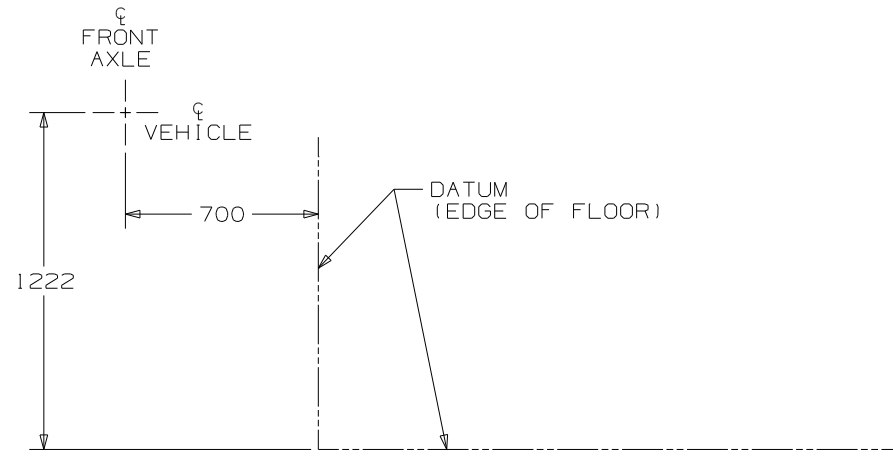
- TOILET
132389-01-CHT (430) (ITA)
134789-01-CHT (43E) (WIN)

VIEW A

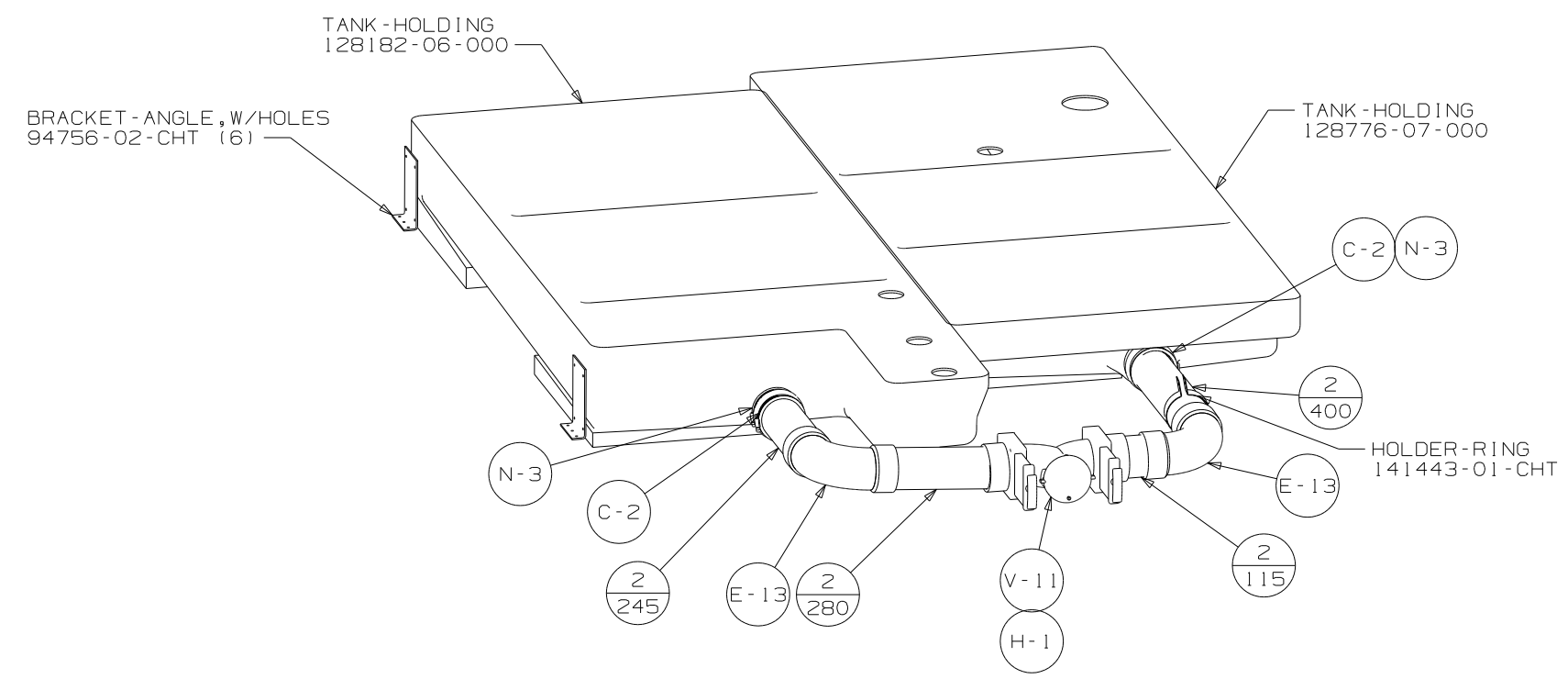
VIEW B

VIEW C

FIRST USED	03 G37C
DO NOT SCALE DRAWING	
TITLE	DRAINAGE SYSTEM INSTL
SHEET 2	PART NO 143382



VIEW D

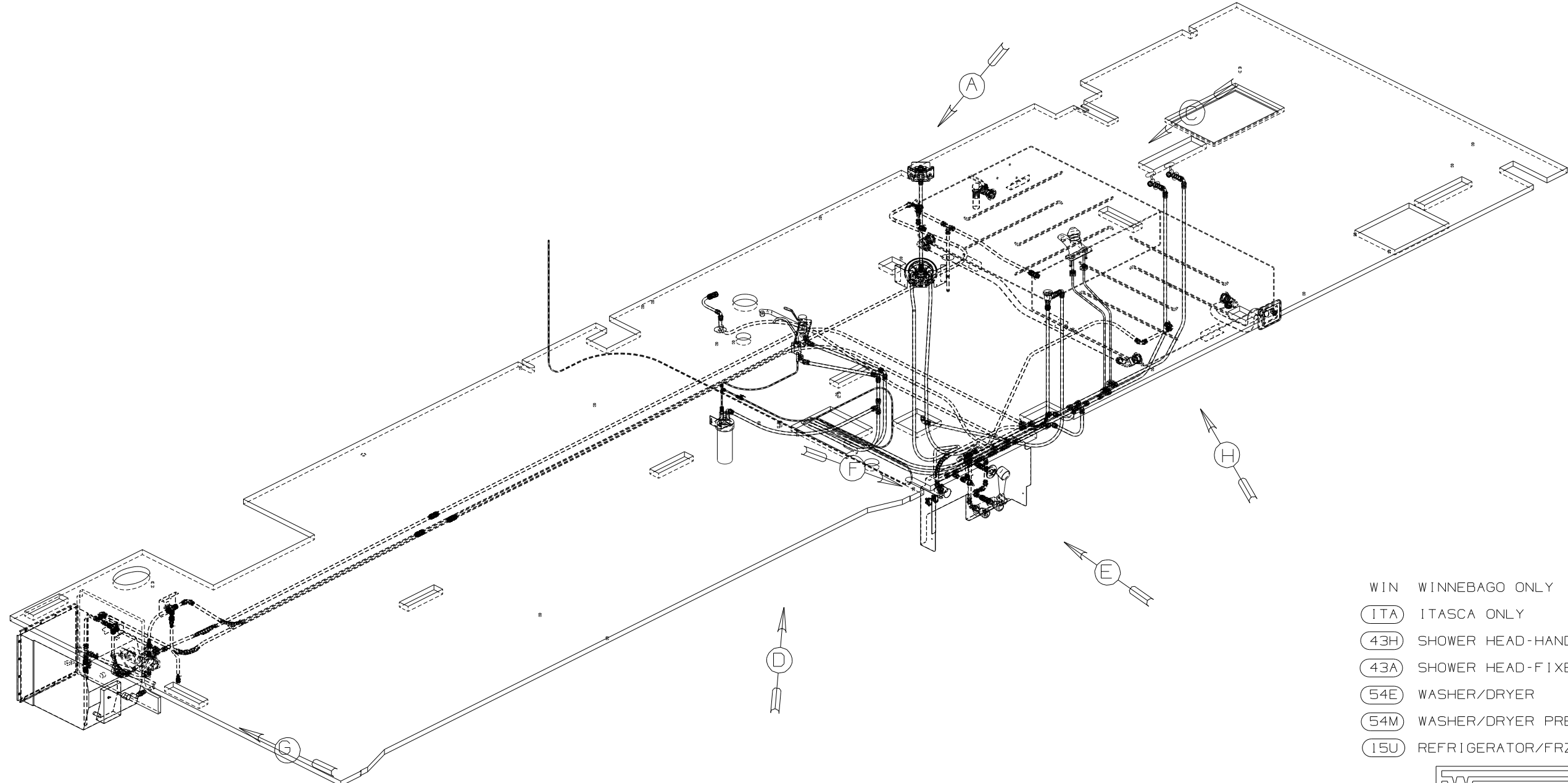


VIEW E

FIRST USED	03 G37C
DO NOT SCALE DRAWING	
TITLE	DRAINAGE SYSTEM INSTL
SHEET 3	PART NO 143382

DWG NO	--
143381-01	(WIN)
143381-02	(ITA)

RELEASE	REV DATE	DWG NO	143381
REV ZONE	REVISION RECORD	DATE	DFTR-0R16

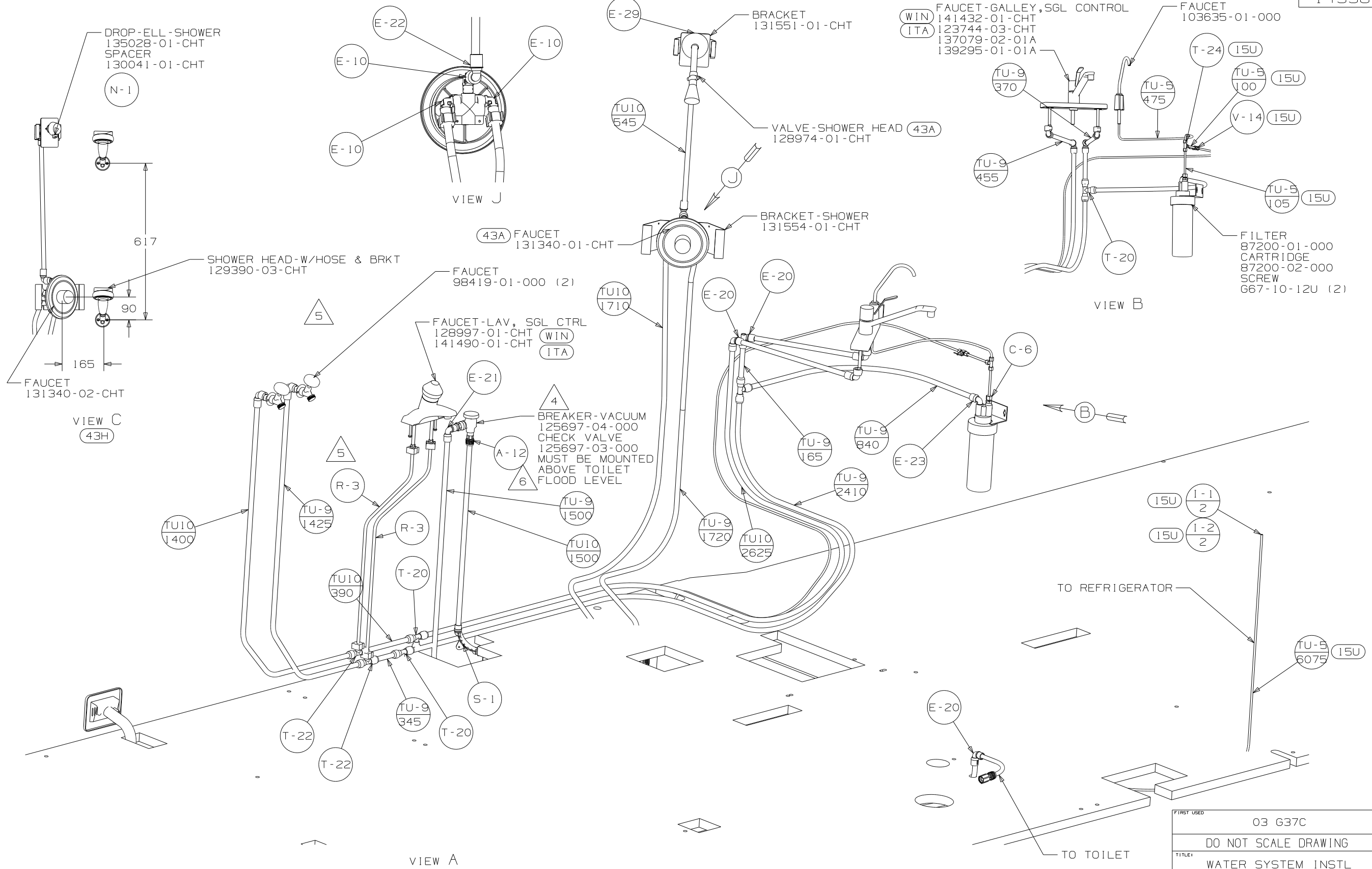


- WIN WINNEBAGO ONLY
- (ITA) ITASCA ONLY
- (43H) SHOWER HEAD-HAND HELD
- (43A) SHOWER HEAD-FIXED
- (54E) WASHER/DRYER
- (54M) WASHER/DRYER PREP
- (15U) REFRIGERATOR/FRZR W/ICEMAKER

- NOTES:
- 6 ADD TEFLON TAPE 10405-01-000.
 - 5 ADD TEFLON TAPE 10405-02-000.
 - 4 FLUSHING SYSTEM REQUIRES 125697-06-000 INSTRUCTION SHEET.
 - 3. ALL TUBING TO BE SECURED AT 1200 INTERVALS MAXIMUM WITH CLAMP 10495-01-000 OR CLIP 9151-01-000 AND SCREW 667-10-12B.
 - 2. TUBING TO BE INSTALLED WITH SUFFICIENT SLOPE TO PROVIDE DRAINAGE TO NEAREST VALVE.
 - 1. PLASTIC FITTINGS TO BE SEALED WITH SEALANT 84456-01-000.

(X-X)
FOR
WATER
CALLOUTS
SEE DWG NO
116230-01-000

WINNEBAGO		COPYRIGHT 2003 WINNEBAGO INDUSTRIES, INC.	
DFTR	ORIG. DATE	ALL DIMENSIONS ARE IN MILLIMETERS	
CHKR		FIRST USED	
P.E.		03 G37C	
M.E.		UNSPECIFIED TOLERANCES ARE:	
DSNR		MATERIAL:	
		WHOLE DIM (X)	: 3
		ONE-PLACE (X.X)	:
		TWO-PLACE (X.XX)	:
		ANGLE	:
THIRD ANGLE PROJECTION		DO NOT SCALE DRAWING	
		TITLE: WATER SYSTEM INSTL	
SHEET 1 OF 1	PART NO	143381	
REF: 140882 03/04/03			



DROP-ELL - SHOWER
135028-01-CHT
SPACER
130041-01-CHT

(N-1)

617

SHOWER HEAD-W/HOSE & BRKT
129390-03-CHT

90

FAUCET
131340-02-CHT

VIEW C
(43H)

TU10
1400

TU-9
1425

(5)

(R-3)

TU10
390

(T-22)

(T-22)

TU-9
345

(T-20)

(S-1)

VIEW A

(5)

FAUCET
98419-01-000 (2)

FAUCET-LAV, SGL CTRL
128997-01-CHT (WIN)
141490-01-CHT (ITA)

(E-21)

(A-12)

(4)
BREAKER-VACUUM
125697-04-000
CHECK VALVE
125697-03-000
MUST BE MOUNTED
ABOVE TOILET
FLOOD LEVEL

(5)

(6)

TU-9
1500

TU10
1500

(E-23)

TU-9
1720

TU10
2625

TU10
1710

(E-20)

(E-20)

TU-9
165

TU-9
840

TU-9
2410

BRACKET-SHOWER
131554-01-CHT

(J)

VALVE-SHOWER HEAD (43A)
128974-01-CHT

TU10
545

(E-29)

BRACKET
131551-01-CHT

(E-22)

(E-10)

(E-10)

(E-10)

VIEW J

(43A) FAUCET
131340-01-CHT

(WIN)
(ITA)

FAUCET-GALLEY, SGL CONTROL
141432-01-CHT
123744-03-CHT
137079-02-01A
139295-01-01A

FAUCET
103635-01-000

(T-24) (15U)

(TU-5) (15U)

(TU-5) (100)

(V-14) (15U)

(TU-5) (105)

FILTER
87200-01-000
CARTRIDGE
87200-02-000
SCREW
667-10-12U (2)

VIEW B

(TU-9) (370)

(TU-5) (475)

(TU-9) (455)

(T-20)

(B)

(15U) (1-1) (2)

(15U) (1-2) (2)

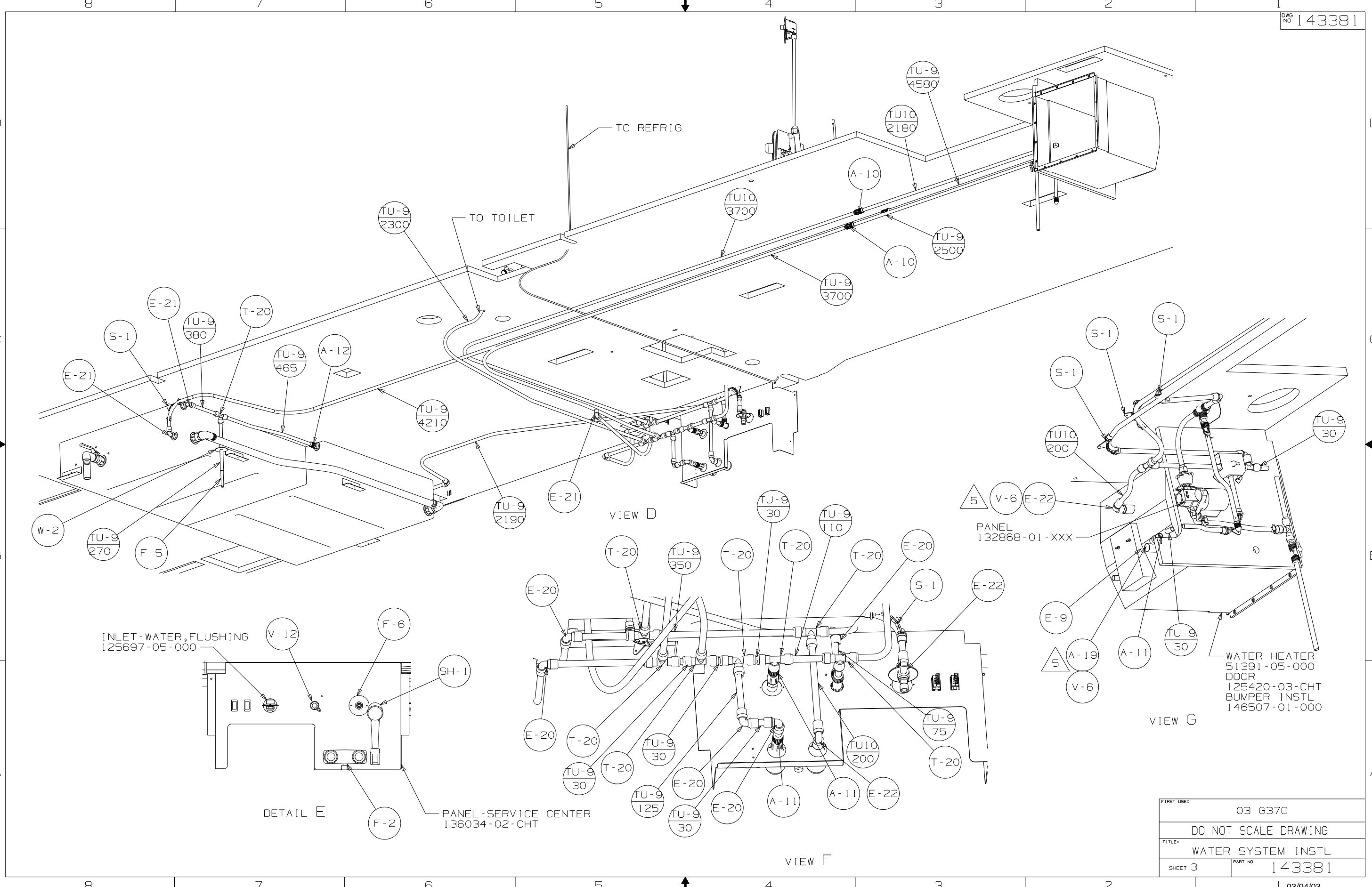
TO REFRIGERATOR

(TU-5) (6075) (15U)

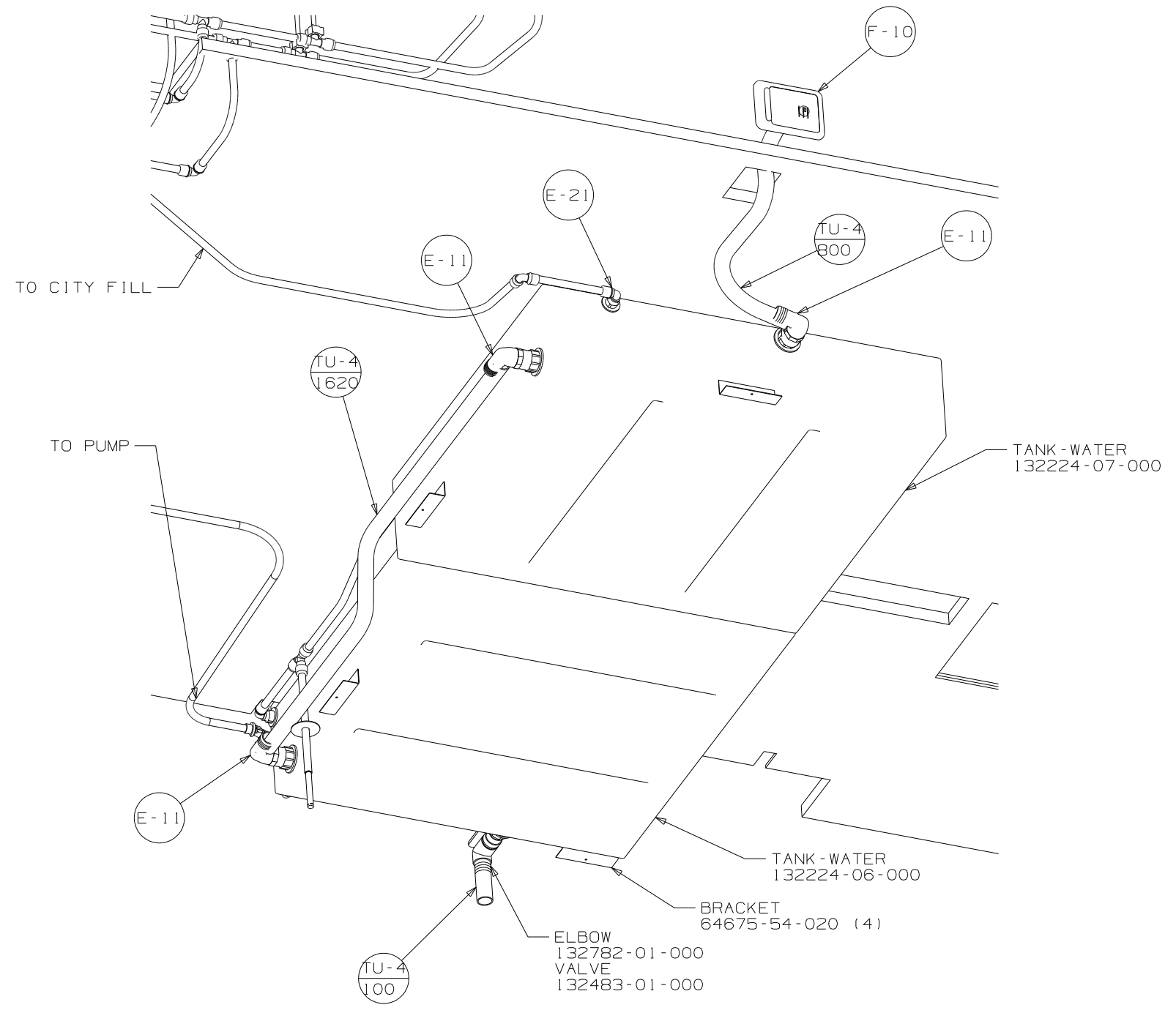
(E-20)

TO TOILET

FIRST USED	03 G37C
TITLE	DO NOT SCALE DRAWING
TITLE	WATER SYSTEM INSTL
SHEET 2	PART NO 143381



FIRST USED	03 G37C
DO NOT SCALE DRAWING	
TITLE:	WATER SYSTEM INSTL
SHEET 3	PART NO 143381



VIEW H

FIRST USED	03 G37C
TITLE	DO NOT SCALE DRAWING
	WATER SYSTEM INSTL
SHEET 4	PART NO 143381