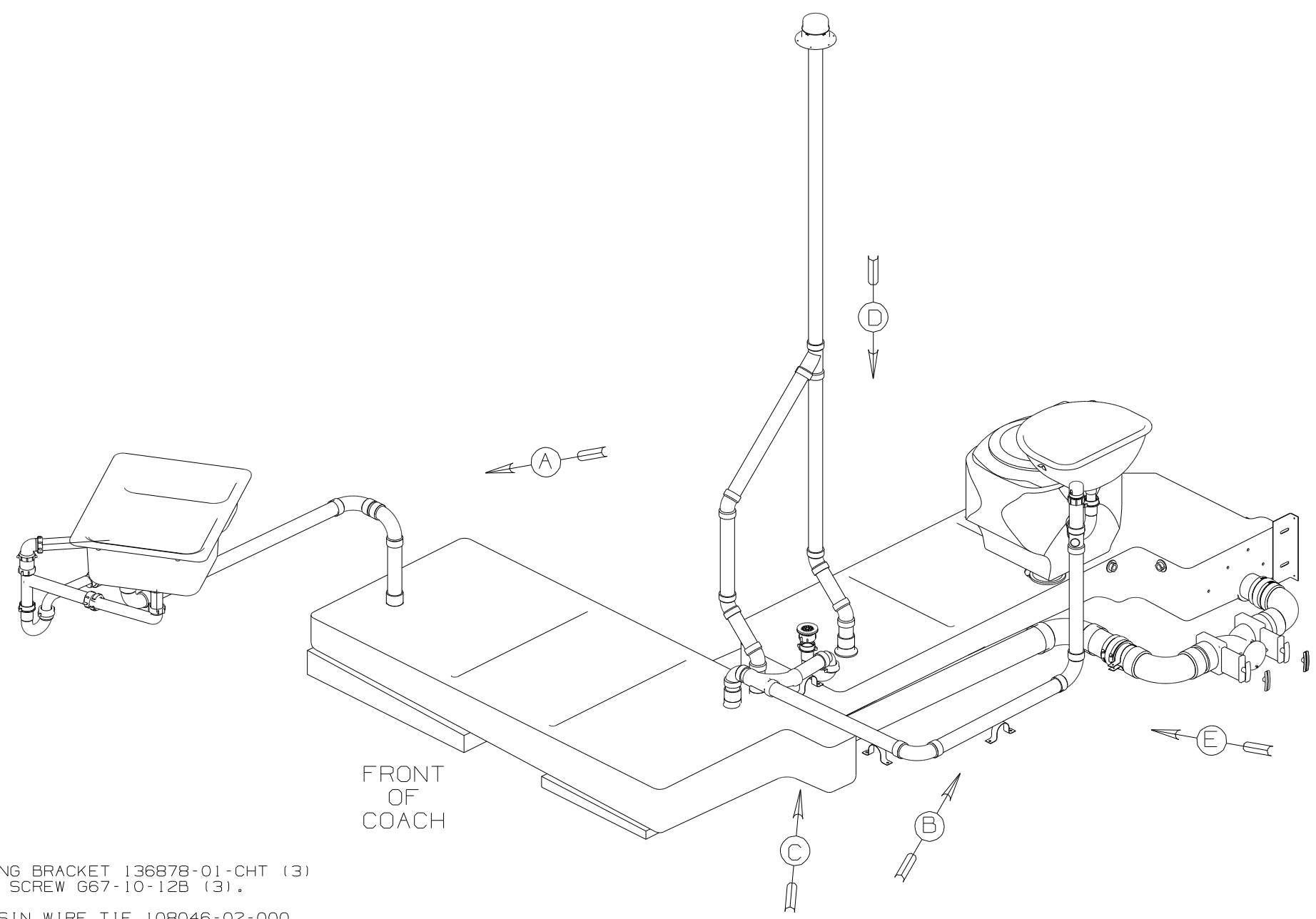


DWG NO	--
141944-01	(WIN)
141944-02	(ITA)

RELEASE	REV DATE	DWG NO	141944
REV ZONE	REVISION RECORD	DATE	DFTR-0R16



- NOTES:
9. SECURE PIPES TO FLOOR USING BRACKET 136878-01-CHT (3) CLAMP 62401-02-000 (3) AND SCREW G67-10-12B (3).
 8. SECURE PIPES TO CABINET USING WIRE TIE 108046-02-000 AND SCREW G67-10-12U (8).
 7. SEE DWG 61607-01-000 FOR INSTL OF GROMMET.
 6. VENT PIPE MUST PROJECT 51 MIN AND 64 MAX ABOVE ROOF FOR PROPER FIT AND FUNCTION.
 5. SEAL AROUND SHOWER WITH SILICONE.
 4. ALL EXTERIOR OPENINGS AROUND PIPE TO BE SEALED WITH 110744-01-000.
 3. ALL PIPE AND FITTINGS TO BE ASSEMBLED WITH SOLVENT 4020-01-000.
 2. SLOPE OF TRAP ARM MUST BE 6 PER 305 mm.
 1. SLOPE OF HORIZONTAL PIPING TO BE MIN 3 PER 305 mm.

- (WIN) WINNEBAGO ONLY
- (ITA) ITASCA ONLY
- (IBI) CODES/STANDARDS USA
- (265) CODES/STDS-CSA/CMVSS

(X-X)
FOR
DRAINAGE
CALLOUTS
SEE DWG NO
116229-01-000

WINNEBAGO		COPYRIGHT 2003 WINNEBAGO INDUSTRIES, INC.	
DFTR	ORIG. DATE	ALL DIMENSIONS ARE IN MILLIMETERS	
CHKR		FIRST USED	
P.E.		03 G35U	
M.E.		UNSPECIFIED TOLERANCES ARE:	
DSNR		MATERIAL:	
		WHOLE DIM (X) :	5
		ONE-PLACE (X.X) :	
		TWO-PLACE (X.XX) :	
		ANGLE :	
THIRD ANGLE PROJECTION		DO NOT SCALE DRAWING	
TITLE:		DRAINAGE SYSTEM INSTL	
SHEET 1 OF 3	PART NO	141944	
REF: 137641 1 04/11/03			

SINK - SMC, DOUBLE
 136828-01-CHT (US/CAN)
 STRAINER
 92303-01-000 (2)
 ANGLE
 140002-01-CHT (10)
 SCREW
 G67-10-08B (8)
 WASHER-RUBBER
 127440-02-CHT (2)
 SEAL (A/R)

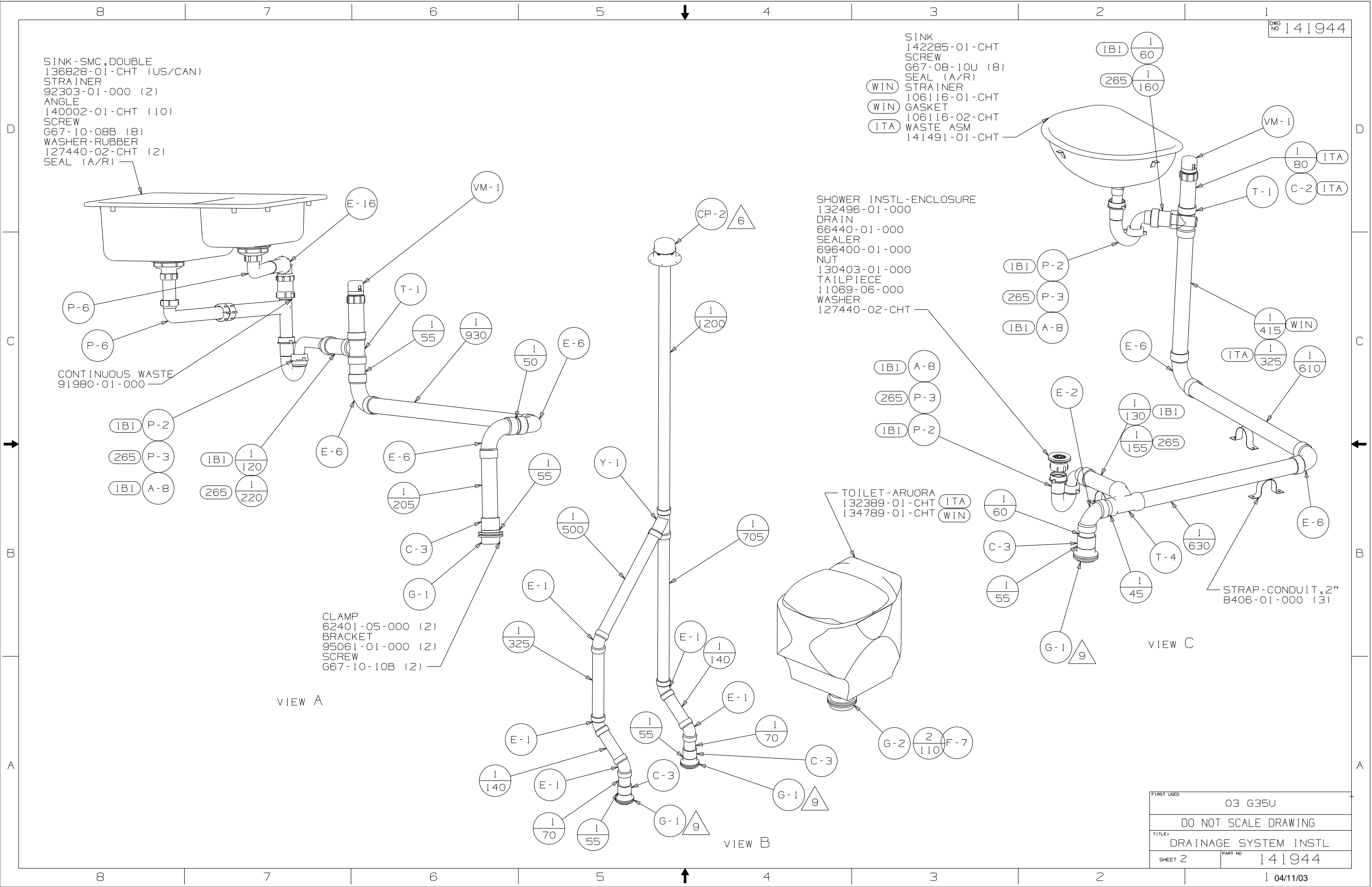
SINK
 142285-01-CHT
 SCREW
 G67-08-10U (8)
 SEAL (A/R)
 STRAINER
 106116-01-CHT
 GASKET
 106116-02-CHT
 WASTE ASM
 141491-01-CHT

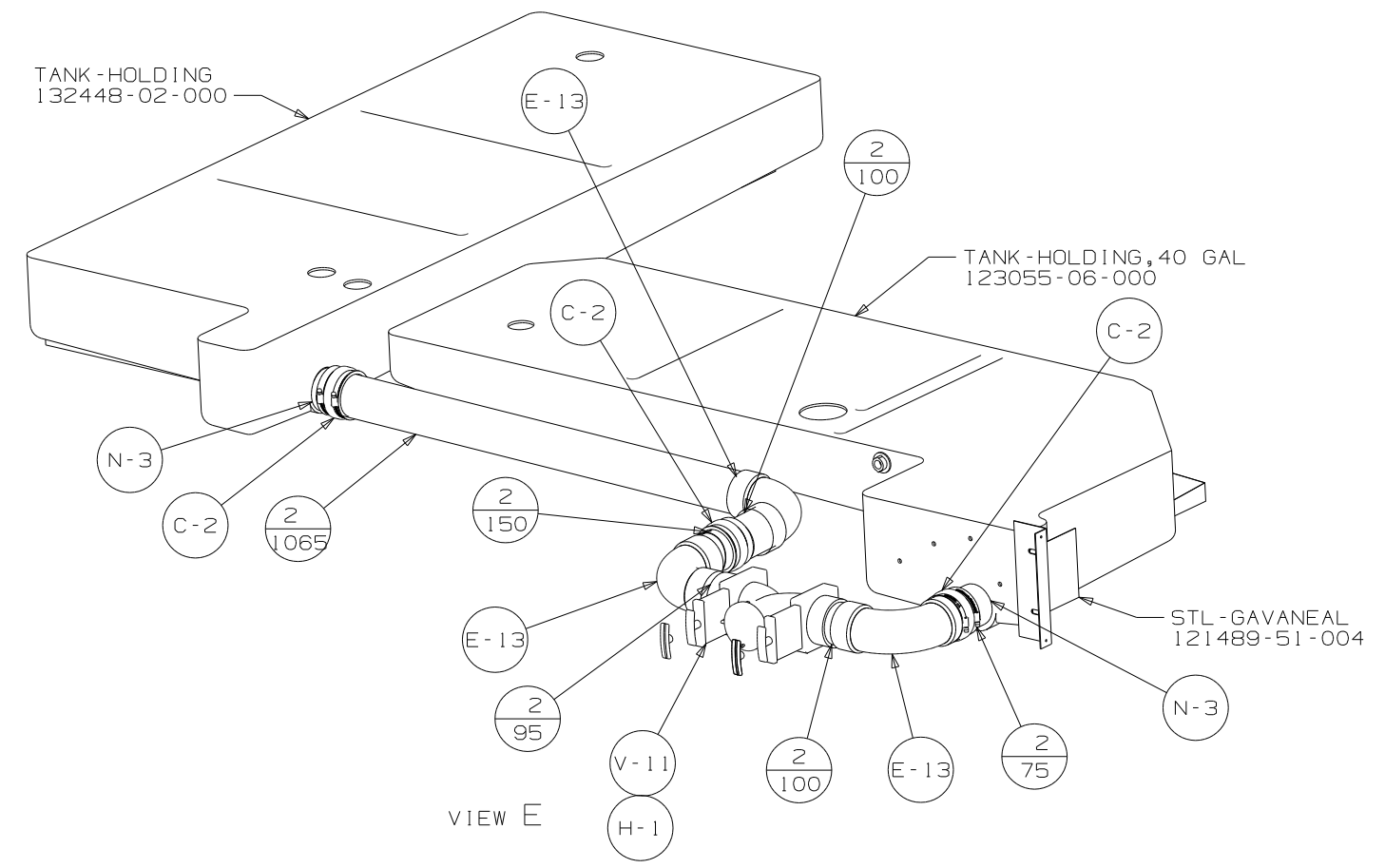
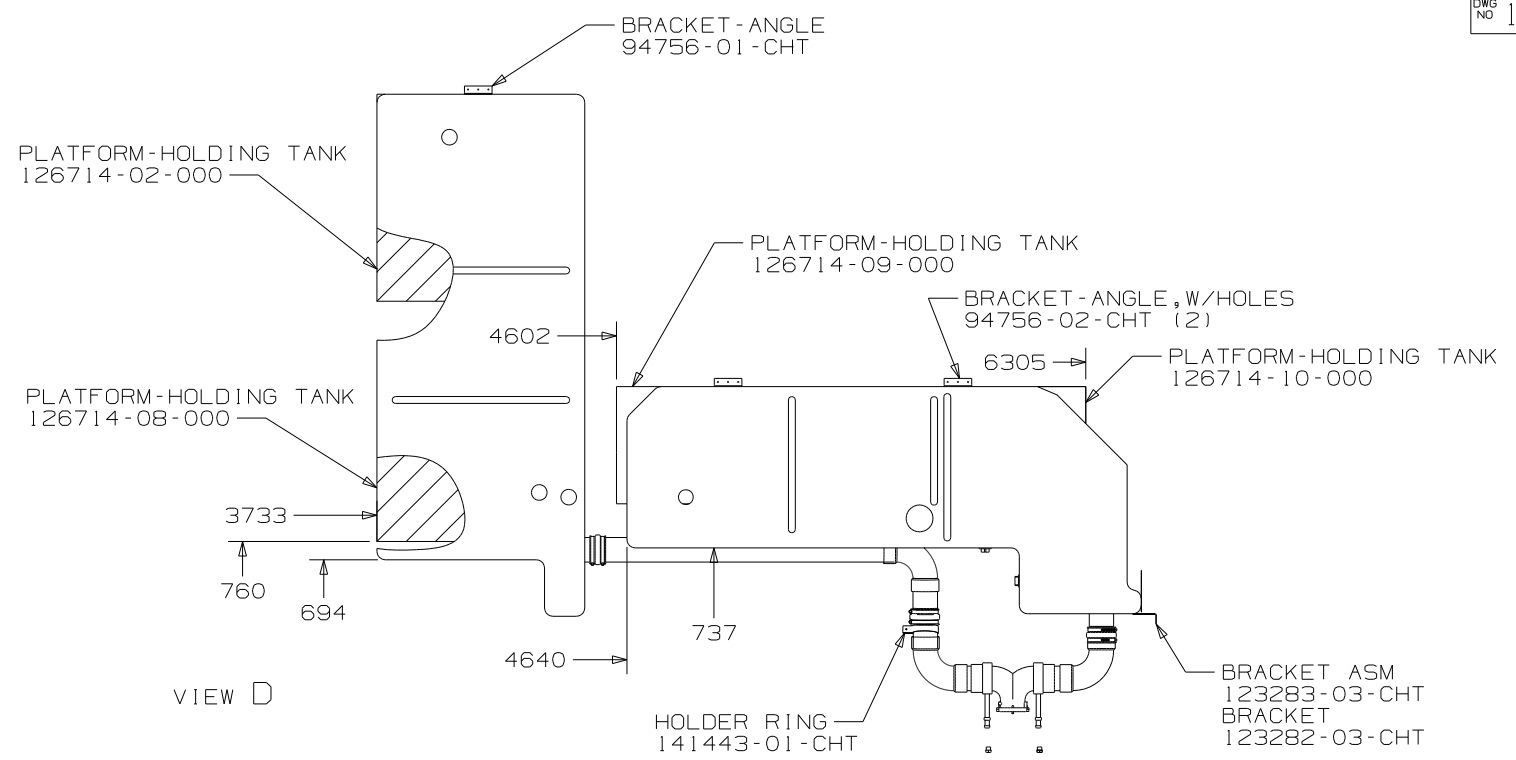
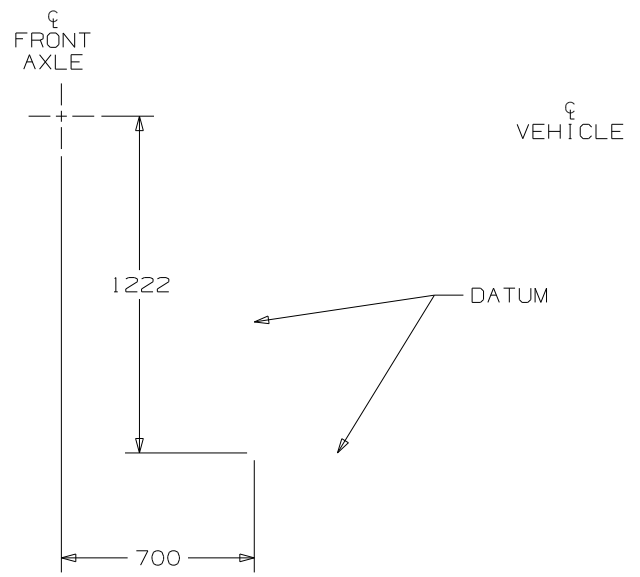
SHOWER INSTL-ENCLOSURE
 132496-01-000
 DRAIN
 66440-01-000
 SEALER
 696400-01-000
 NUT
 130403-01-000
 TAILPIECE
 11069-06-000
 WASHER
 127440-02-CHT

TOILET - ARJORA
 132389-01-CHT
 134789-01-CHT

CLAMP
 62401-05-000 (2)
 BRACKET
 95061-01-000 (2)
 SCREW
 G67-10-10B (2)

FIRST USED	03 G35U
DO NOT SCALE DRAWING	
TITLE	DRAINAGE SYSTEM INSTL
SHEET 2	PART NO 141944

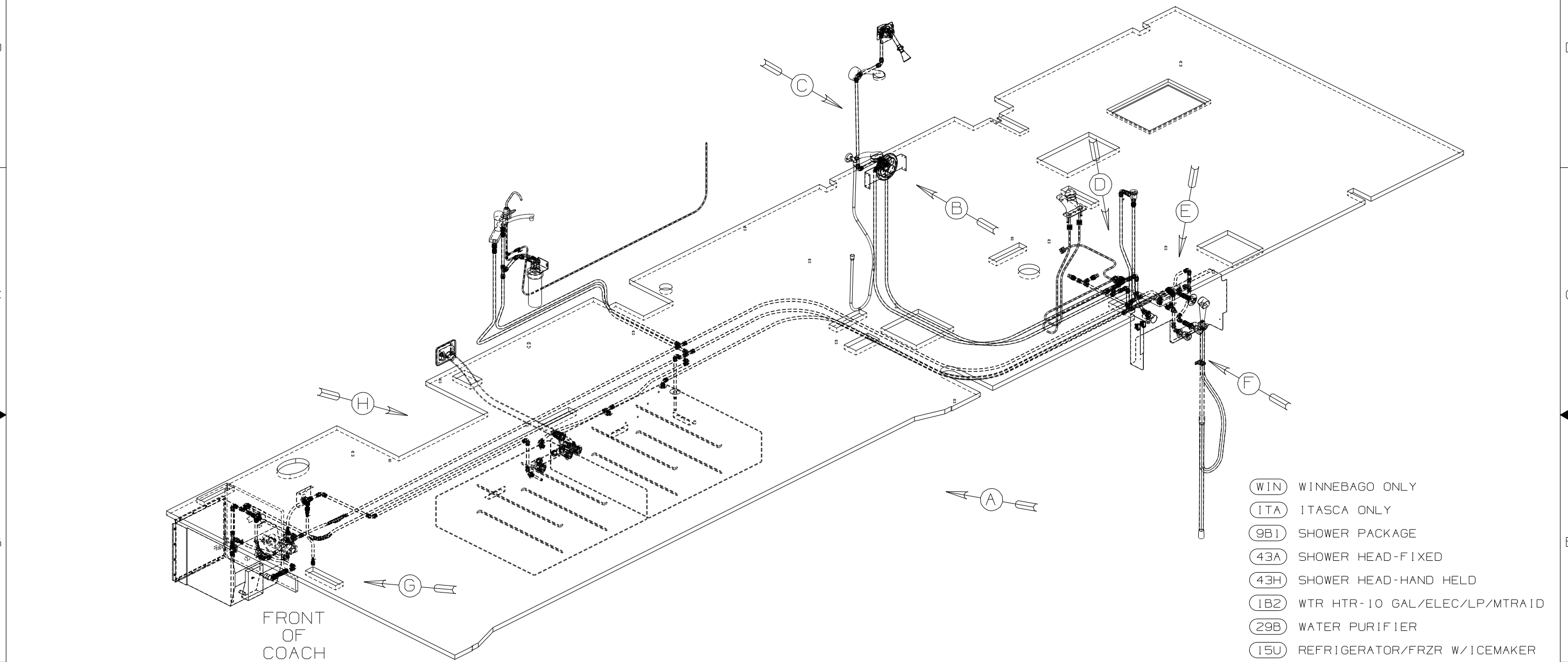




FIRST USED	03 G35U
DO NOT SCALE DRAWING	
TITLE	DRAINAGE SYSTEM INSTL
SHEET 3	PART NO 141944

DWG NO	----
141945-01	(WIN)
141945-02	(ITA)

RELEASE	REV DATE	DWG NO
A		141945
REV ZONE	REVISION RECORD	DATE
		DFTR-0016

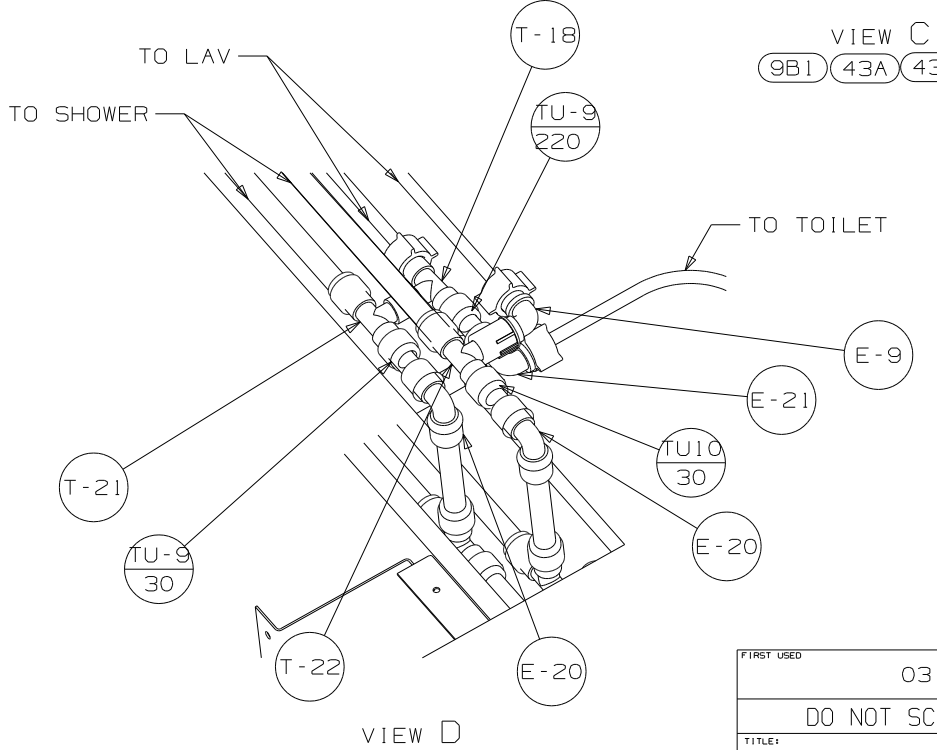
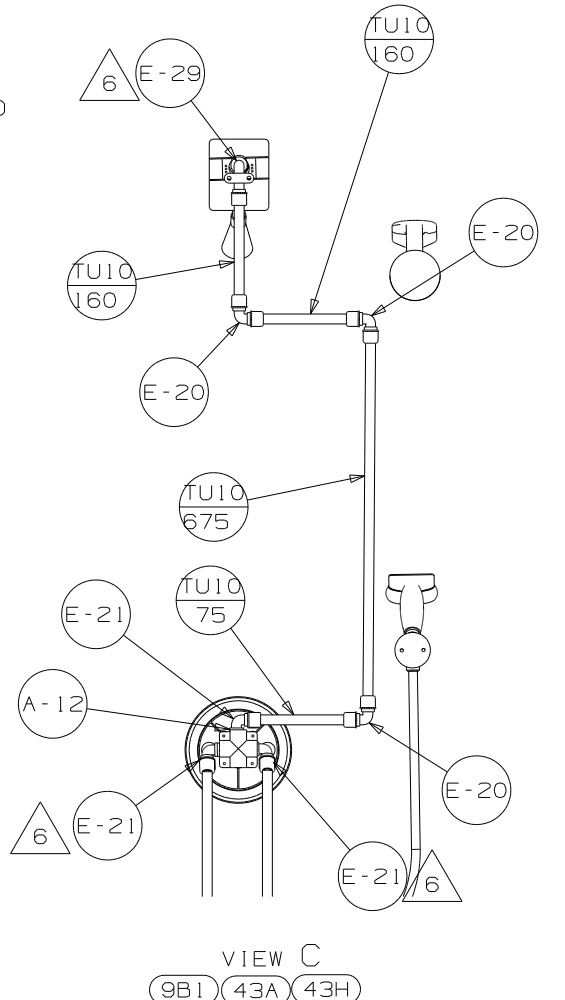
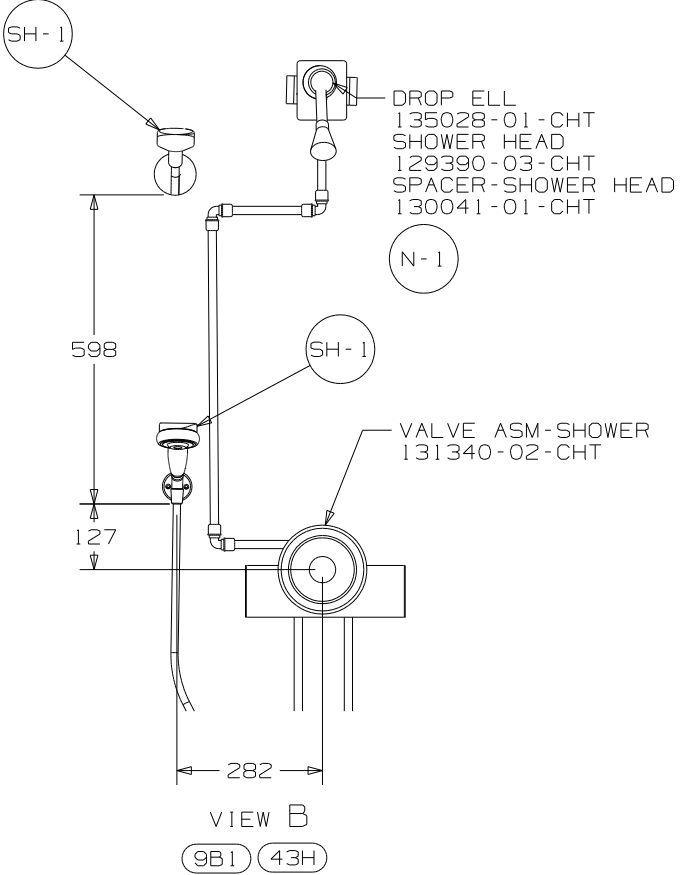
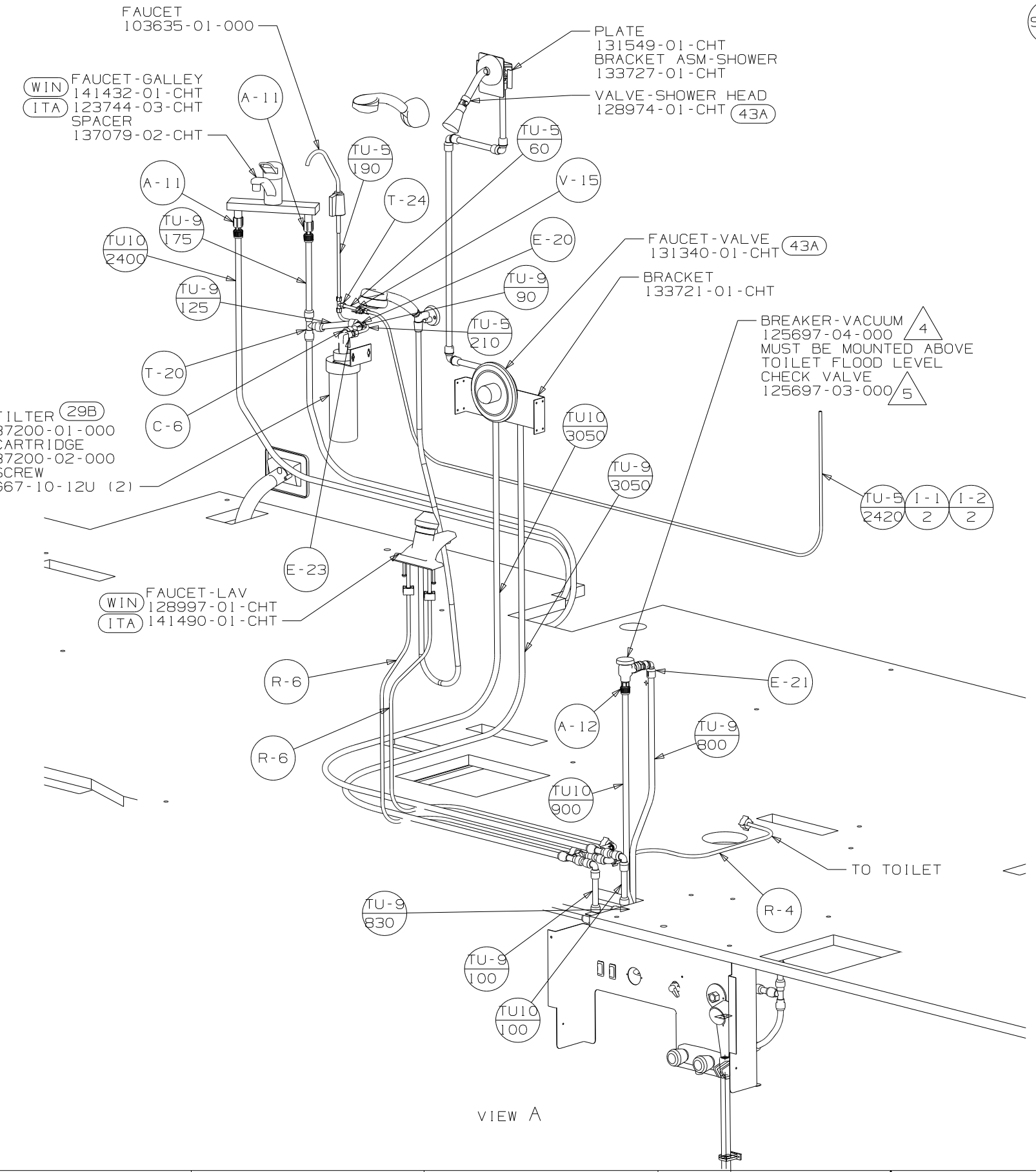


- (WIN) WINNEBAGO ONLY
- (ITA) ITASCA ONLY
- (9B1) SHOWER PACKAGE
- (43A) SHOWER HEAD-FIXED
- (43H) SHOWER HEAD-HAND HELD
- (1B2) WTR HTR-10 GAL/ELEC/LP/MTR AID
- (29B) WATER PURIFIER
- (15U) REFRIGERATOR/FRZR W/ICEMAKER

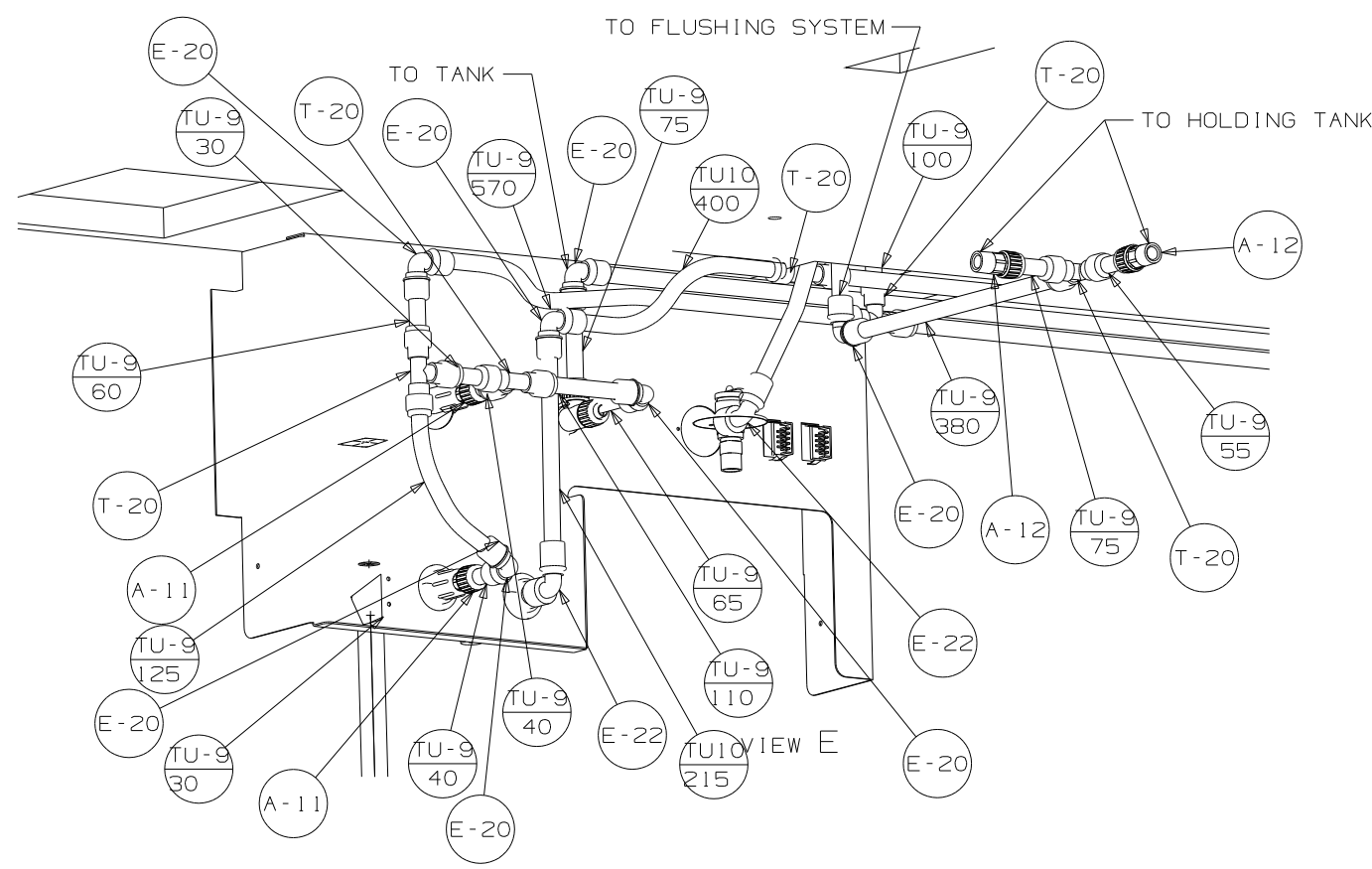
- NOTES:
1. PLASTIC FITTINGS TO BE SEALED WITH SEALANT 84456-01-000.
 2. TUBING TO BE INSTALLED WITH SUFFICIENT SLOPE TO PROVIDE DRAINAGE TO NEAREST VALVE.
 3. ALL TUBING TO BE SECURED AT 1200 INTERVALS MAXIMUM WITH CLAMP 10495-01-000 OR CLIP 9151-01-000 AND SCREW G67-10-12B.
 4. FLUSHING SYSTEM REQUIRES 125697-06-000 INSTRUCTION SHEET.
 5. ADD TEFLON TAPE 10405-02-000 TO FITTING.
 6. ADD TEFLON TAPE 10405-01-000 TO FITTING.

(X-X)
FOR WATER CALLOUTS SEE DWG NO 116230-01-000

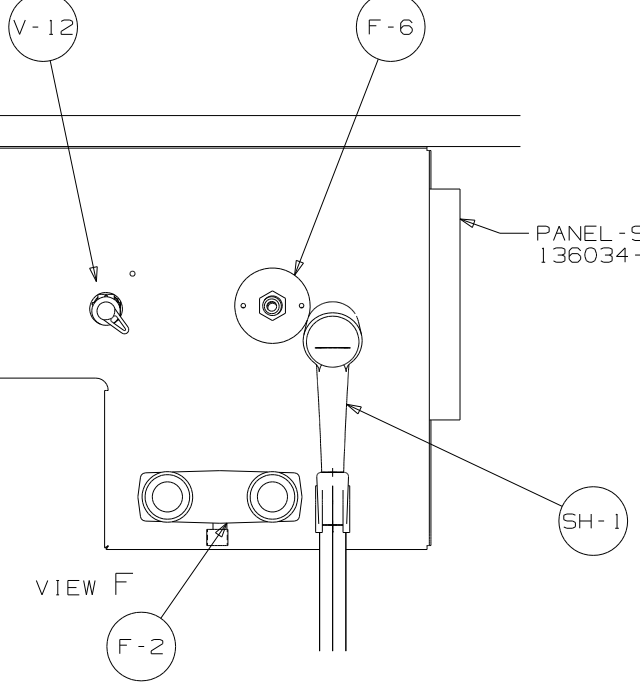
WINNEBAGO		COPYRIGHT 2003 WINNEBAGO INDUSTRIES, INC.	
DFTR	ORIG. DATE	ALL DIMENSIONS ARE IN MILLIMETERS	
CHKR		MATERIAL:	
P.E.		WHOLE DIM (X)	: 7
M.E.		ONE-PLACE (X.X)	: 7
DSNR		TWO-PLACE (X.XX)	: 7
		ANGLE	: 7
		THIRD ANGLE PROJECTION	
DO NOT SCALE DRAWING			
TITLE: WATER SYSTEM INSTL			
SHEET 1 OF 4	PART NO	141945	
REF: 137642 1 01/27/03			



FIRST USED	03 G35U	
TITLE	DO NOT SCALE DRAWING	
TITLE	WATER SYSTEM INSTL	
SHEET 2	PART NO	141945

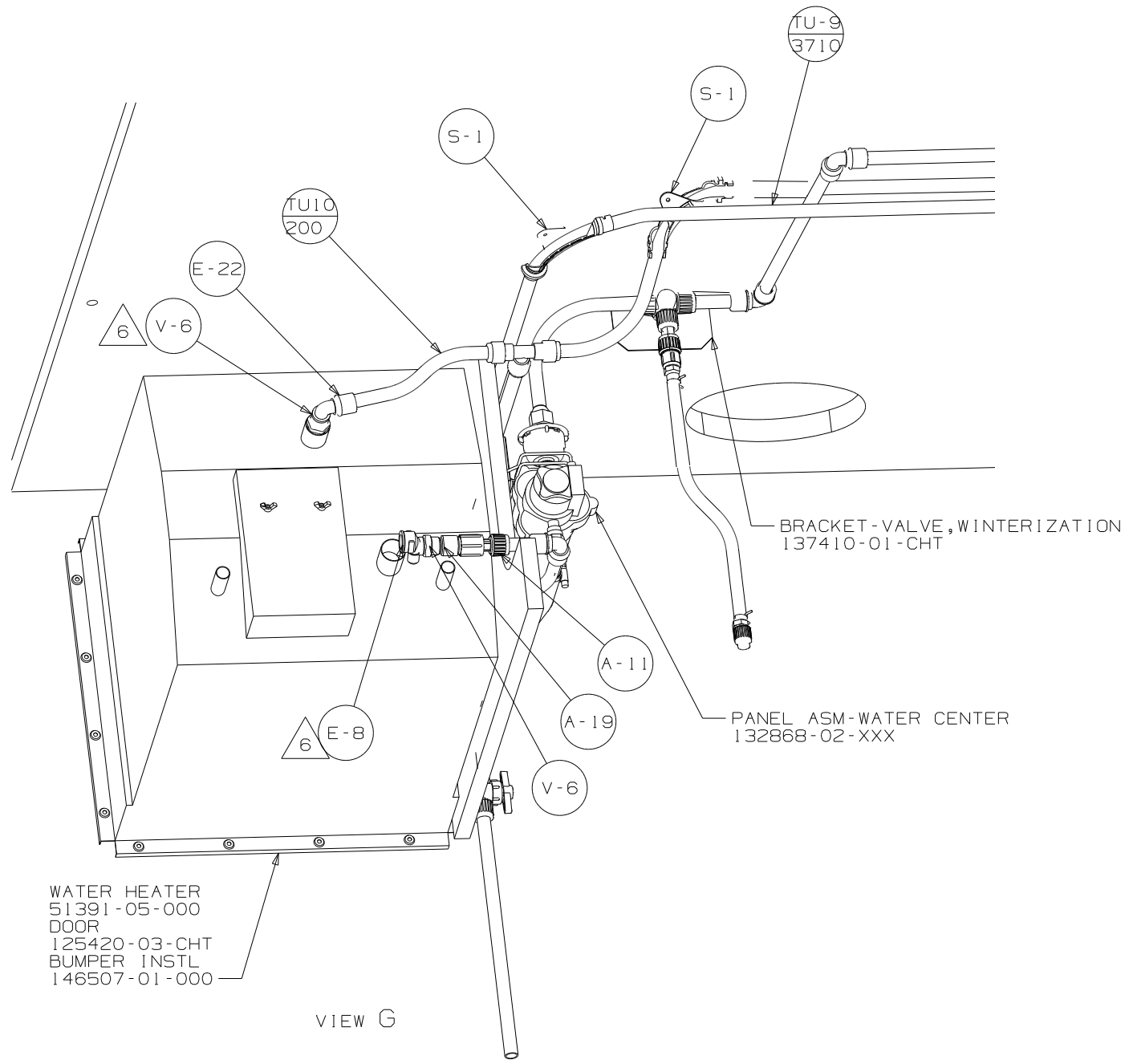


INLET-WATER, FLUSHING SYSTEM
125697-05-000



PANEL-SERVICE CENTER
136034-02-CHT

VIEW F



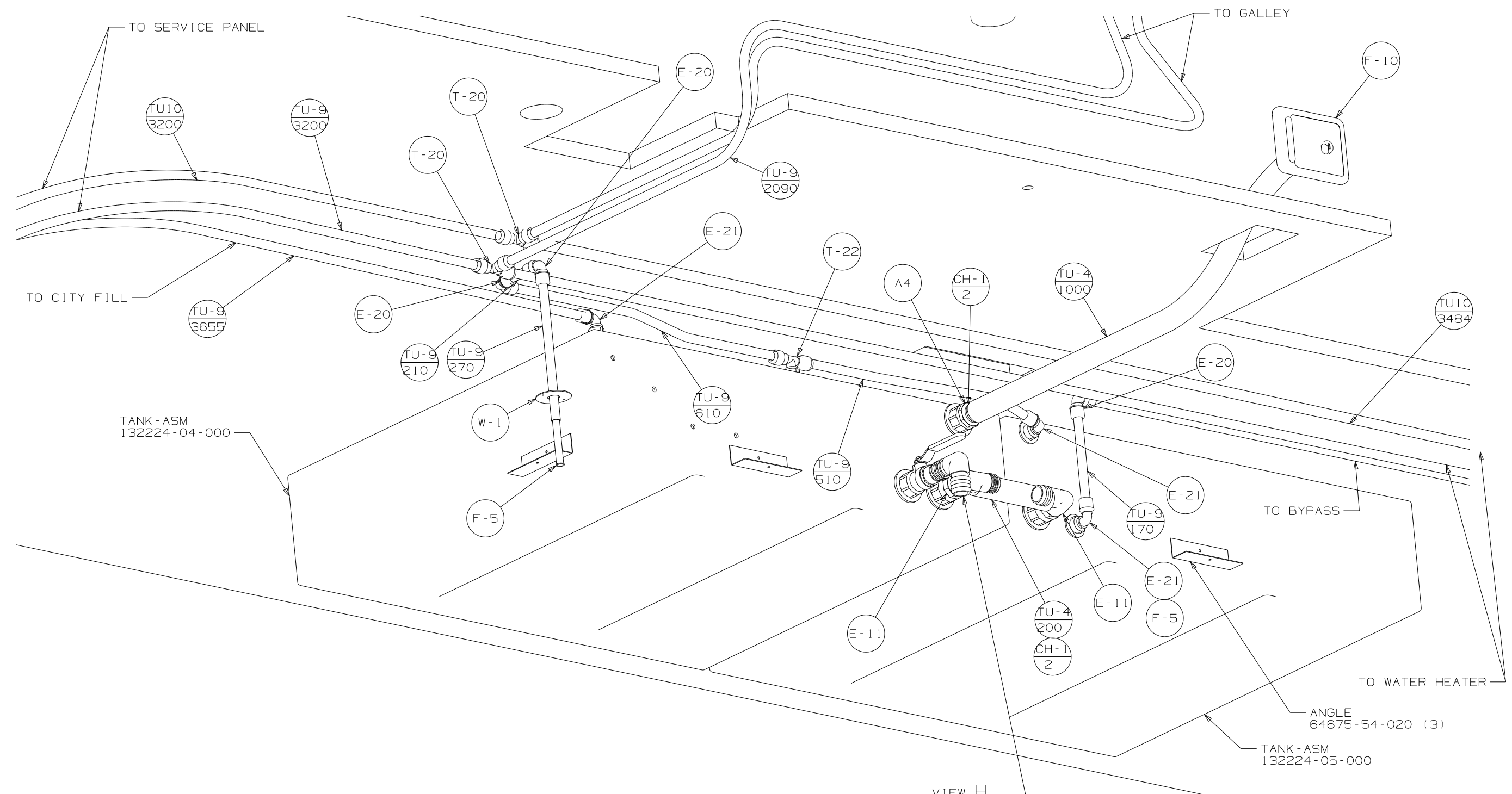
BRACKET-VALVE, WINTERIZATION
137410-01-CHT

PANEL ASM-WATER CENTER
132868-02-XXX

WATER HEATER
51391-05-000
DOOR
125420-03-CHT
BUMPER INSTL
146507-01-000

VIEW G

FIRST USED	03 G35U
TITLE	DO NOT SCALE DRAWING
SHEET 3	PART NO 141945



TANK - ASM
132224-04-000

TO BYPASS

TO WATER HEATER

ANGLE
64675-54-020 (3)

TANK - ASM
132224-05-000

VIEW H

- VALVE
132483-01-000
- TUBE
74462-01-000 (75)
- ELBOW
132781-01-000
- HOSE CLAMP
62401-01-000 (2)

FIRST USED	03 G35U
DO NOT SCALE DRAWING	
TITLE	WATER SYSTEM INSTL
SHEET 4	PART NO 141945