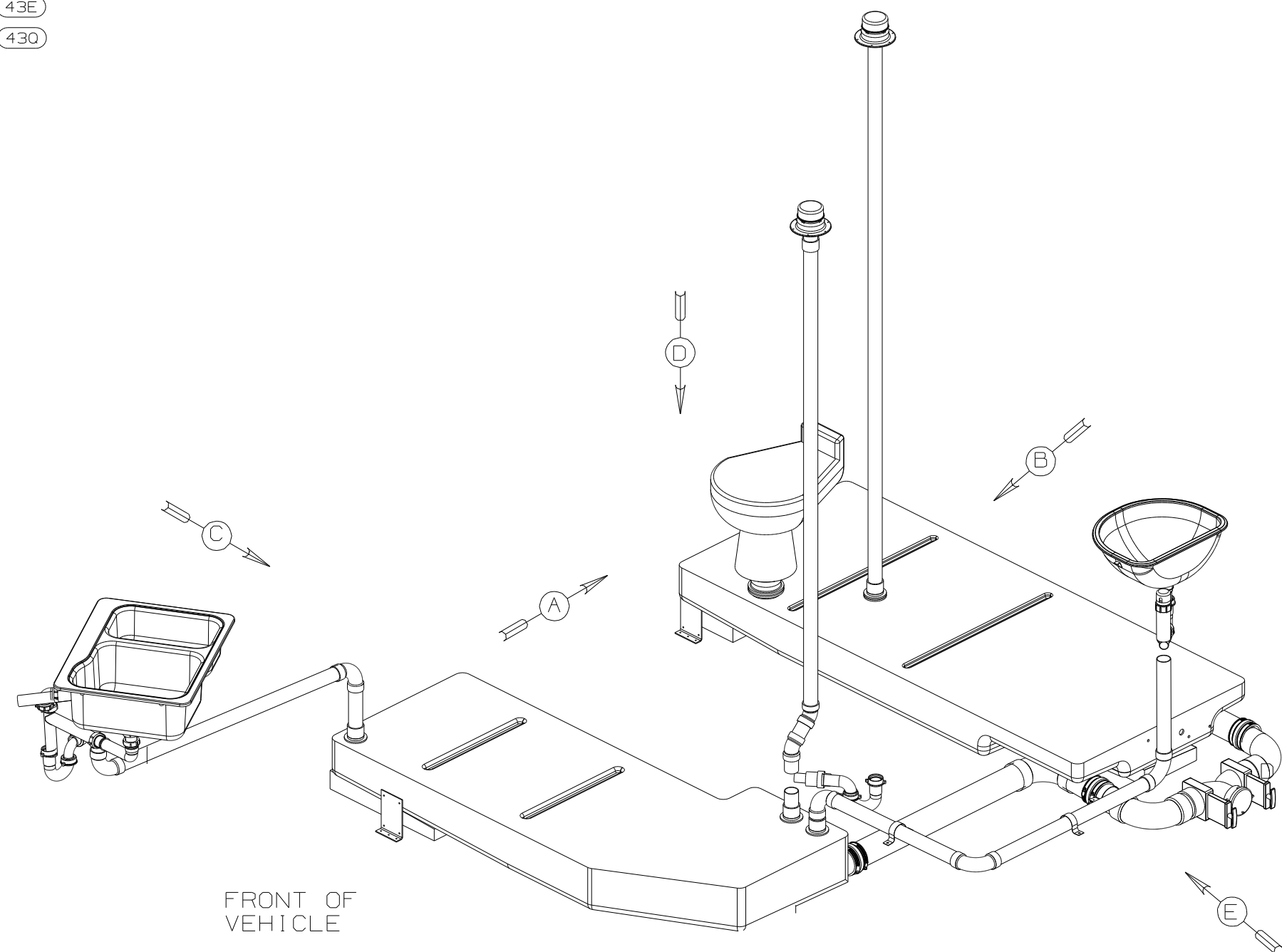


DWG NO	----
142656-01	(WIN)
142656-02	(ITA)

(43E)
(430)

RELEASE	REV DATE	DWG NO
A		142656
REV ZONE	REVISION RECORD	DATE
		DFTR-0R16



FRONT OF VEHICLE

- (WIN) WINNEBAGO ONLY
- (ITA) ITASCA ONLY
- (265) CODES/STANDARDS-CSA/CMVSS
- (1B1) CODES/STANDARDS-USA
- (43Q) TOILET-PORCELAIN
- (43E) TOILET-PORCELAIN ROUND

- 8 SECURE VENT TUBES TO FLOOR WITH BRACKET 136878-01-CHT (3) CLAMP 62401-02-000 (3), SCREW G67-10-12B (3).
- 7 VENT PIPE MUST PROJECT 51 MIN AND 64 MAX ABOVE ROOF FOR PROPER FIT AND FUNCTION.
6. ROF CANADIAN UNITS EACH HOLDING TANK SHALL HAVE A CSA APPROVAL STAMPED NEAR THE IAMPO APPROVAL.
5. SEAL AROUND SHOWER WITH SILICONE.
4. ALL EXTERIOR OPENINGS AROUND PIPE TO BE SEALED WITH 100744-01-000.
3. ALL PIPE AND FITTINGS TO BE ASSEMBLED WITH SOLVENT 4020-01-000.
2. SLOPE OF TRAP ARM MUST BE 6 PER 305 mm.
1. SLOPE OF HORIZONTAL PIPING TO BE 6 PER 305 mm.

NOTES:

(X-X)
FOR DRAINAGE CALLOUTS SEE DWG NO. 116229-01-000

WINNEBAGO		COPYRIGHT 2002 WINNEBAGO INDUSTRIES, INC.	
DFTR	ORIG. DATE	ALL DIMENSIONS ARE IN MILLIMETERS	
CHKR		FIRST USED	
P.E.		03 G33V	
M.E.		UNSPECIFIED TOLERANCES ARE:	
DSNR		MATERIAL:	
		WHOLE DIM (X)	: 3
		ONE-PLACE (X.X)	:
		TWO-PLACE (X.XX)	:
		ANGLE	:
		THIRD ANGLE PROJECTION	
DO NOT SCALE DRAWING			
TITLE: DRAINAGE SYSTEM INSTL			
SHEET 1 OF 3	PART NO	142656	

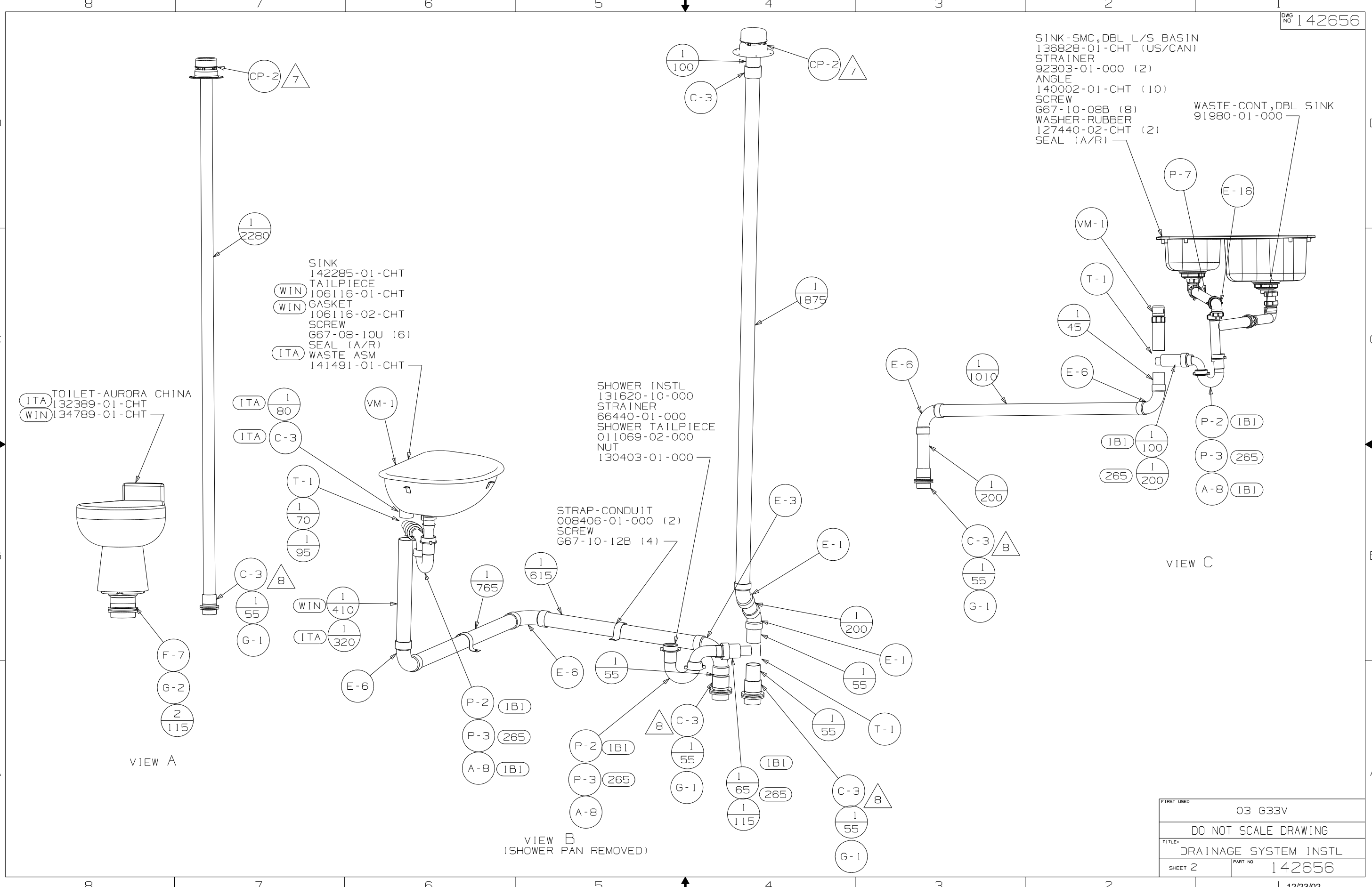
- SINK-SMC, DBL L/S BASIN
- 136828-01-CHT (US/CAN)
- STRAINER
- 92303-01-000 (2)
- ANGLE
- 140002-01-CHT (10)
- SCREW
- G67-10-08B (8)
- WASHER-RUBBER
- 127440-02-CHT (2)
- SEAL (A/R)
- WASTE-CONT, DBL SINK
- 91980-01-000

- SINK
- 142285-01-CHT
- TAILPIECE
- (WIN) 106116-01-CHT
- (WIN) GASKET
- (WIN) 106116-02-CHT
- SCREW
- G67-08-10U (6)
- SEAL (A/R)
- (ITA) WASTE ASM
- 141491-01-CHT

- SHOWER INSTL
- 131620-10-000
- STRAINER
- 66440-01-000
- SHOWER TAILPIECE
- 011069-02-000
- NUT
- 130403-01-000

- STRAP-CONDUIT
- 008406-01-000 (2)
- SCREW
- G67-10-12B (4)

- (ITA) TOILET-AURORA CHINA
- 132389-01-CHT
- (WIN) 134789-01-CHT

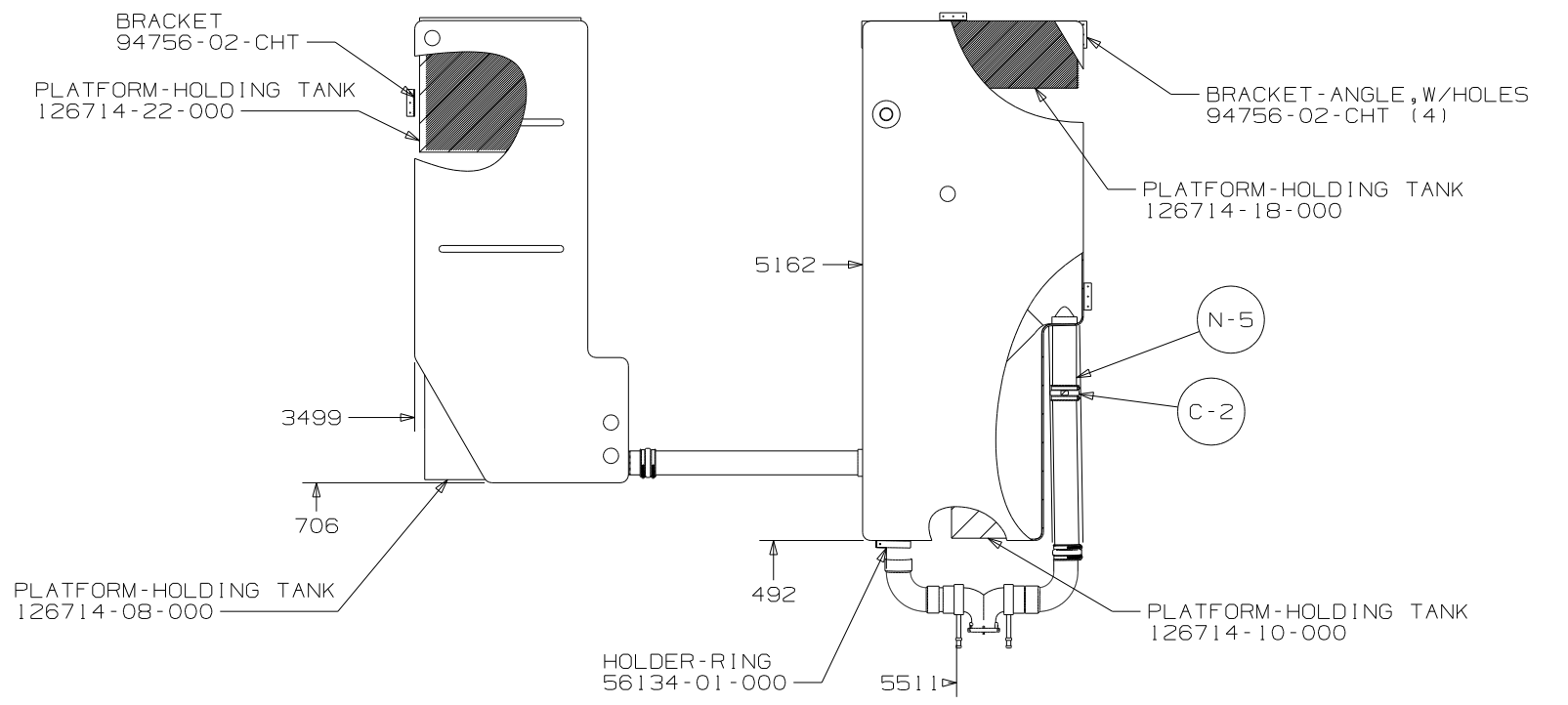
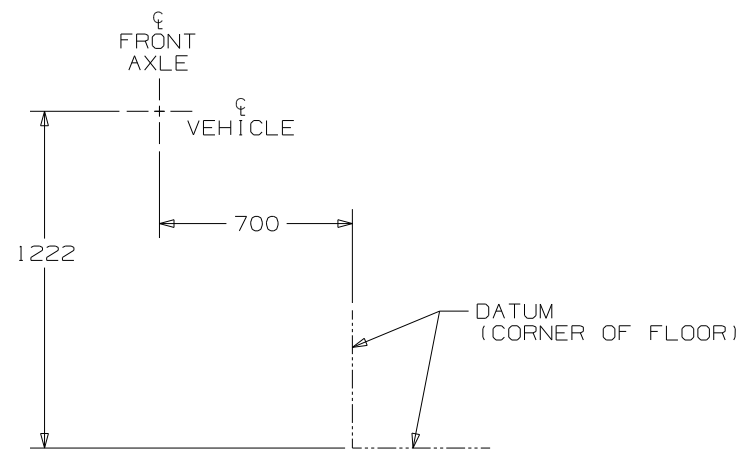


VIEW A

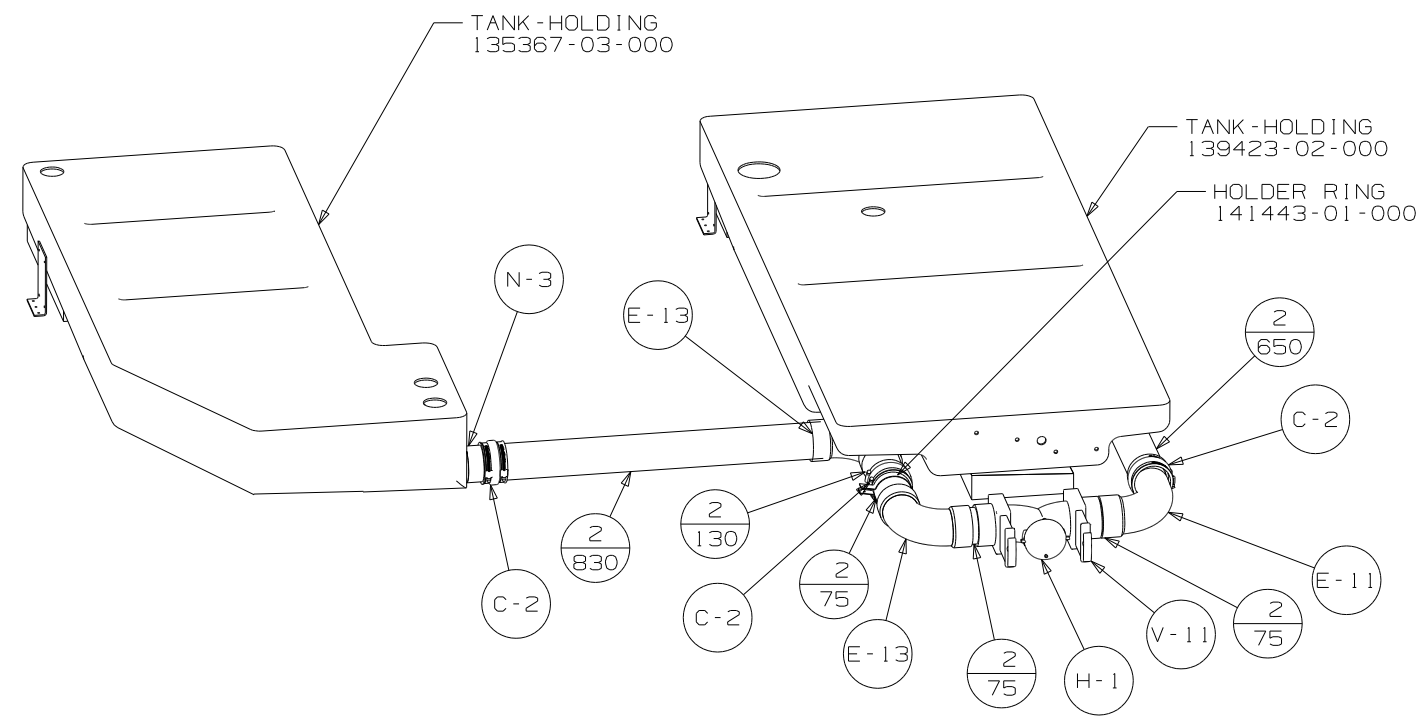
VIEW B (SHOWER PAN REMOVED)

VIEW C

FIRST USED	03 G33V
DO NOT SCALE DRAWING	
TITLE	DRAINAGE SYSTEM INSTL
SHEET 2	PART NO 142656



VIEW D

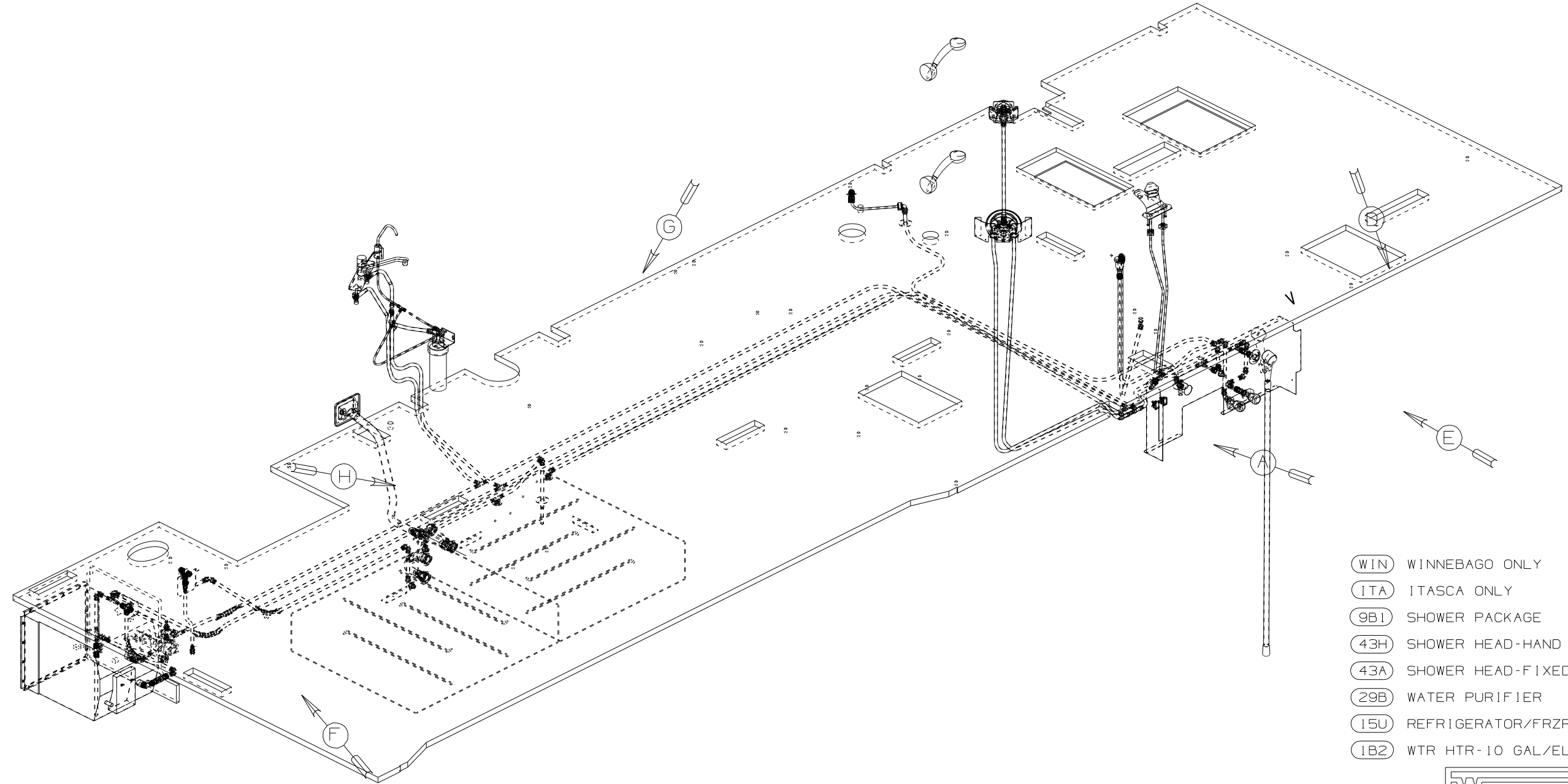


VIEW E

FIRST USED	03 G33V
DO NOT SCALE DRAWING	
TITLE	DRAINAGE SYSTEM INSTL
SHEET 3	PART NO 142656

DWG NO	----
142655-01	(WIN)
142655-02	(ITA)

RELEASE	REV DATE	DWG NO
	A	142655
REV ZONE	REVISION RECORD	DATE
		DFTR-0016

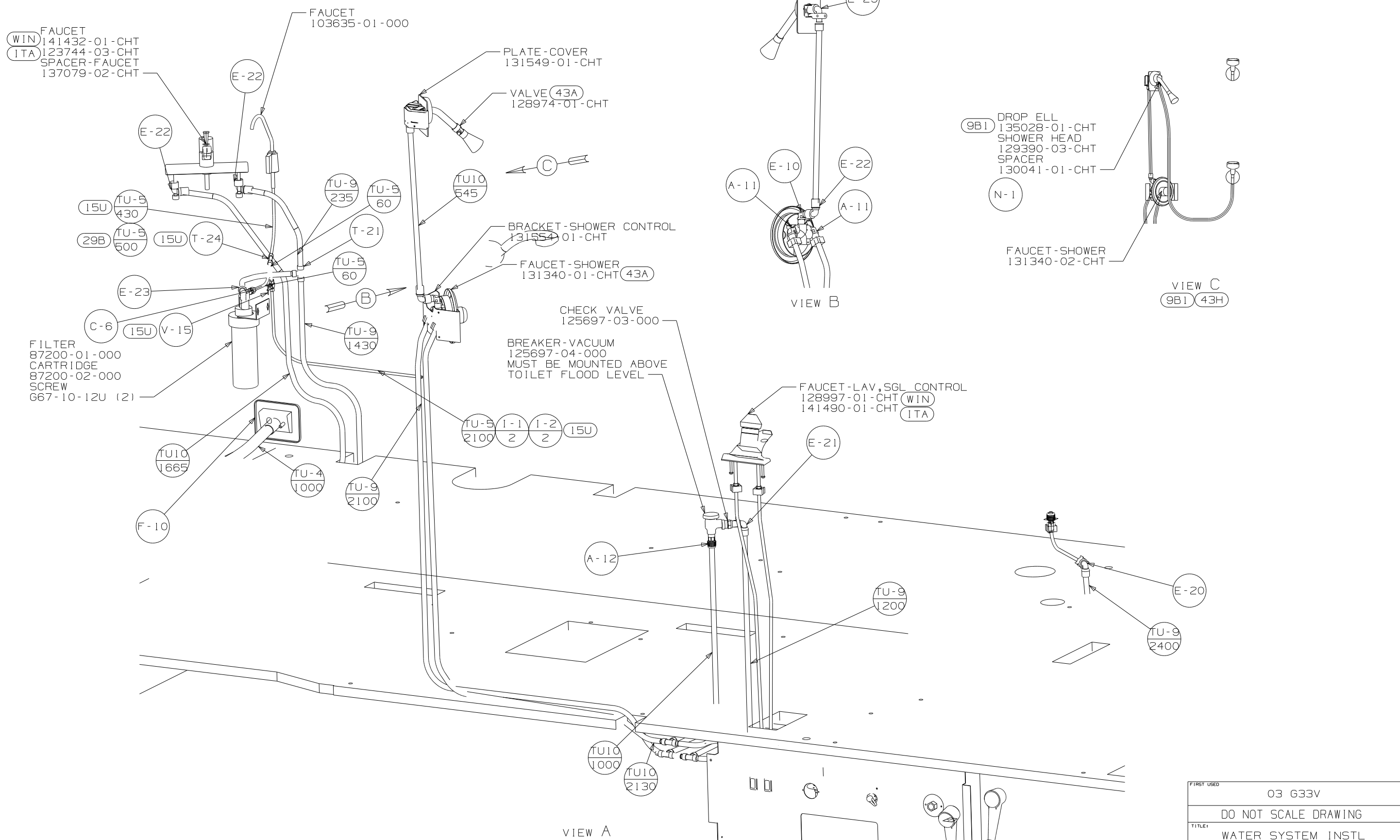


- (WIN) WINNEBAGO ONLY
- (ITA) ITASCA ONLY
- (9B1) SHOWER PACKAGE
- (43H) SHOWER HEAD-HAND HELD
- (43A) SHOWER HEAD-FIXED
- (29B) WATER PURIFIER
- (15U) REFRIGERATOR/FRZR W/ICEMAKER
- (IB2) WTR HTR-10 GAL/ELEC/LP/MTR AID

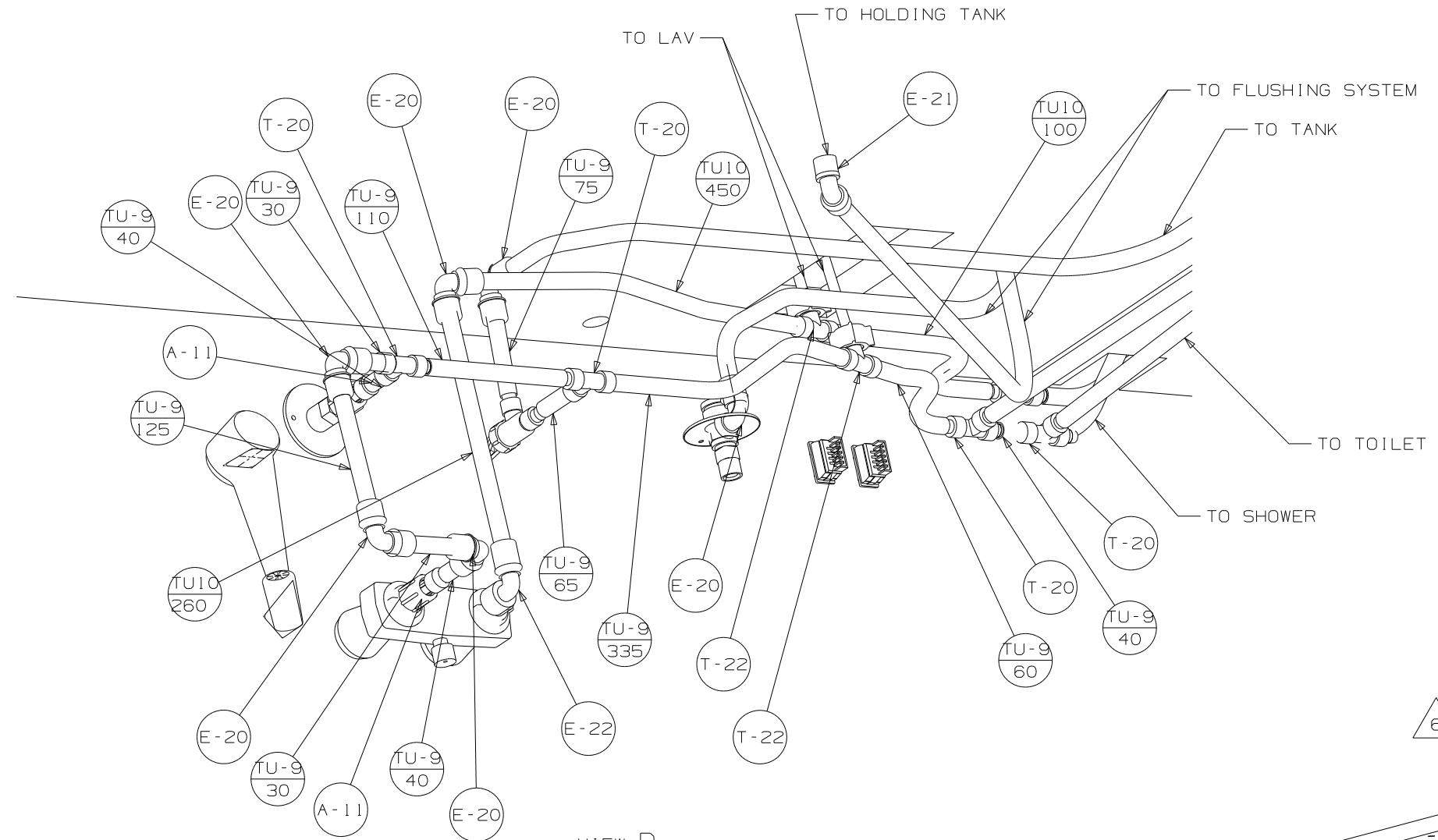
- NOTES:
- 6 ADD TEFLON TAPE 10405-01-000.
 - 5 ADD TEFLON TAPE 10405-02-000.
 4. FLUSHING SYSTEM REQUIRES 125697-06-000 INSTRUCTION SHEET.
 3. ALL TUBING TO BE SECURED AT 1200 INTERVALS MAXIMUM WITH CLAMP 10495-01-000 OR CLIP 9151-01-000 AND SCREW G67-10-12B.
 2. TUBING TO BE INSTALLED WITH SUFFICIENT SLOPE TO PROVIDE DRAINAGE TO NEAREST VALVE.
 1. PLASTIC FITTINGS TO BE SEALED WITH SEALANT 84456-01-000.

(X-X)
FOR
WATER
CALLOUTS
SEE DWG NO
116230-01-000

WINNEBAGO		COPYRIGHT 2003 WINNEBAGO INDUSTRIES, INC.	
DFTR	ORIG. DATE	ALL DIMENSIONS ARE IN MILLIMETERS	
CHKR		MATERIAL:	
P.E.		UNSPECIFIED TOLERANCES ARE:	
M.E.	FIRST USED	HOLE DIM (X) : 7	
DSNR	03 G33V	ONE-PLACE (X.X) :	
		TWO-PLACE (X.XX) :	
		ANGLE :	
		THIRD ANGLE PROJECTION	
DO NOT SCALE DRAWING			
TITLE: WATER SYSTEM INSTL			
SHEET 1 OF 4		PART NO 142655	
REF: 137002 1 03/31/03			

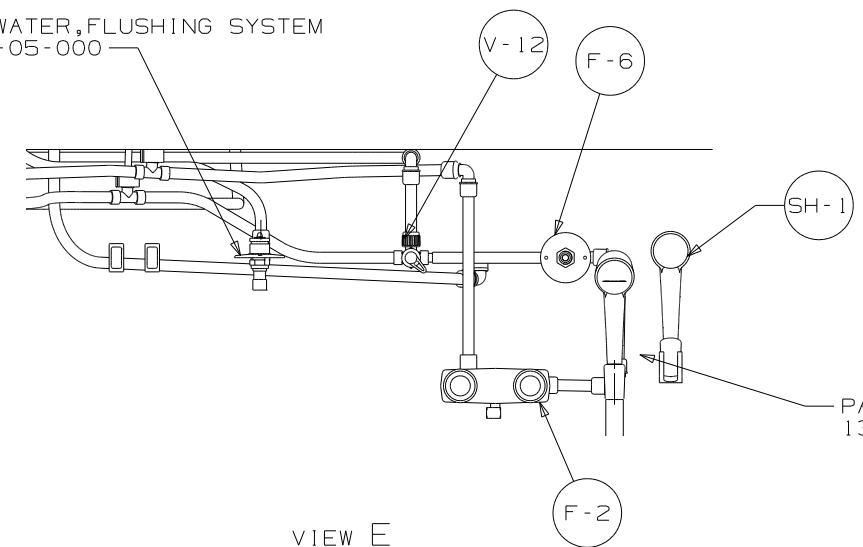


FIRST USED	03 G33V
DO NOT SCALE DRAWING	
TITLE	WATER SYSTEM INSTL
SHEET 2	PART NO 142655



VIEW D

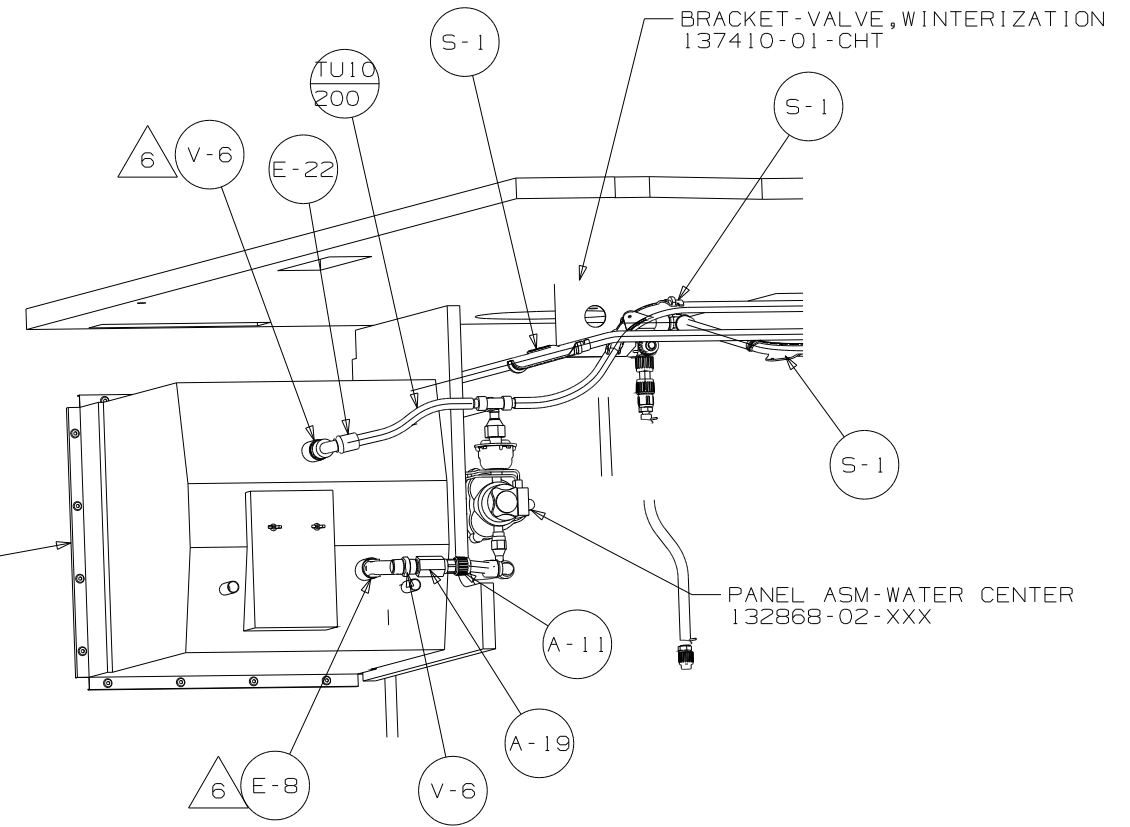
INLET-WATER, FLUSHING SYSTEM
125697-05-000



VIEW E

PANEL - SERVICE CENTER
136034-02-CHT

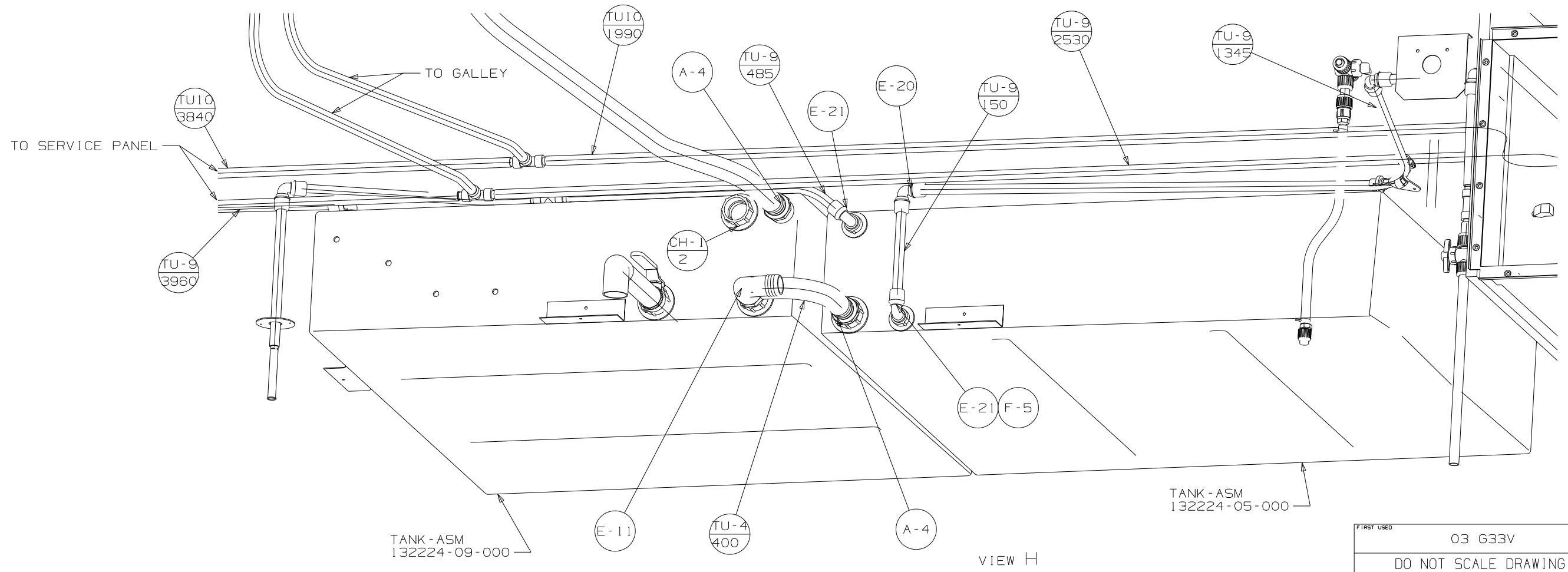
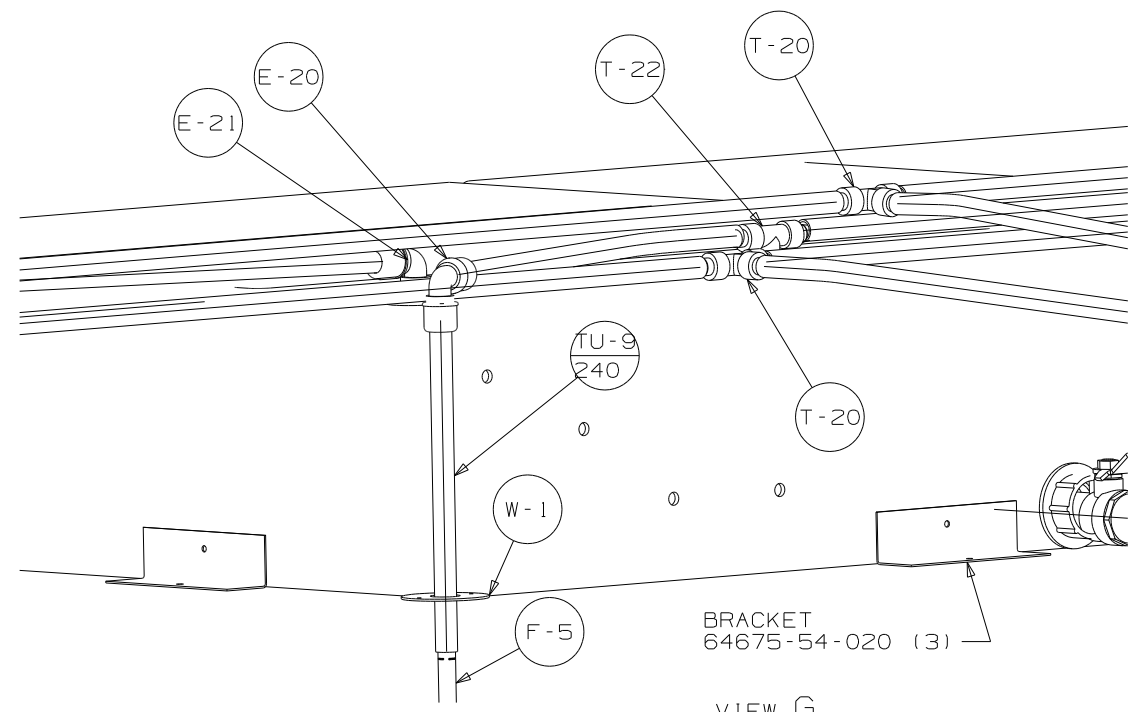
WATER HEATER
51391-05-000
DOOR
125420-03-CHT
BUMPER - INSTL
146507-01-000



VIEW F

PANEL ASM-WATER CENTER
132868-02-XXX

FIRST USED	03 G33V
TITLE	DO NOT SCALE DRAWING
SHEET 3	PART NO 142655
1 03/31/03	



FIRST USED	03 G33V
TITLE	DO NOT SCALE DRAWING
SHEET 4	PART NO 142655
1 03/31/03	