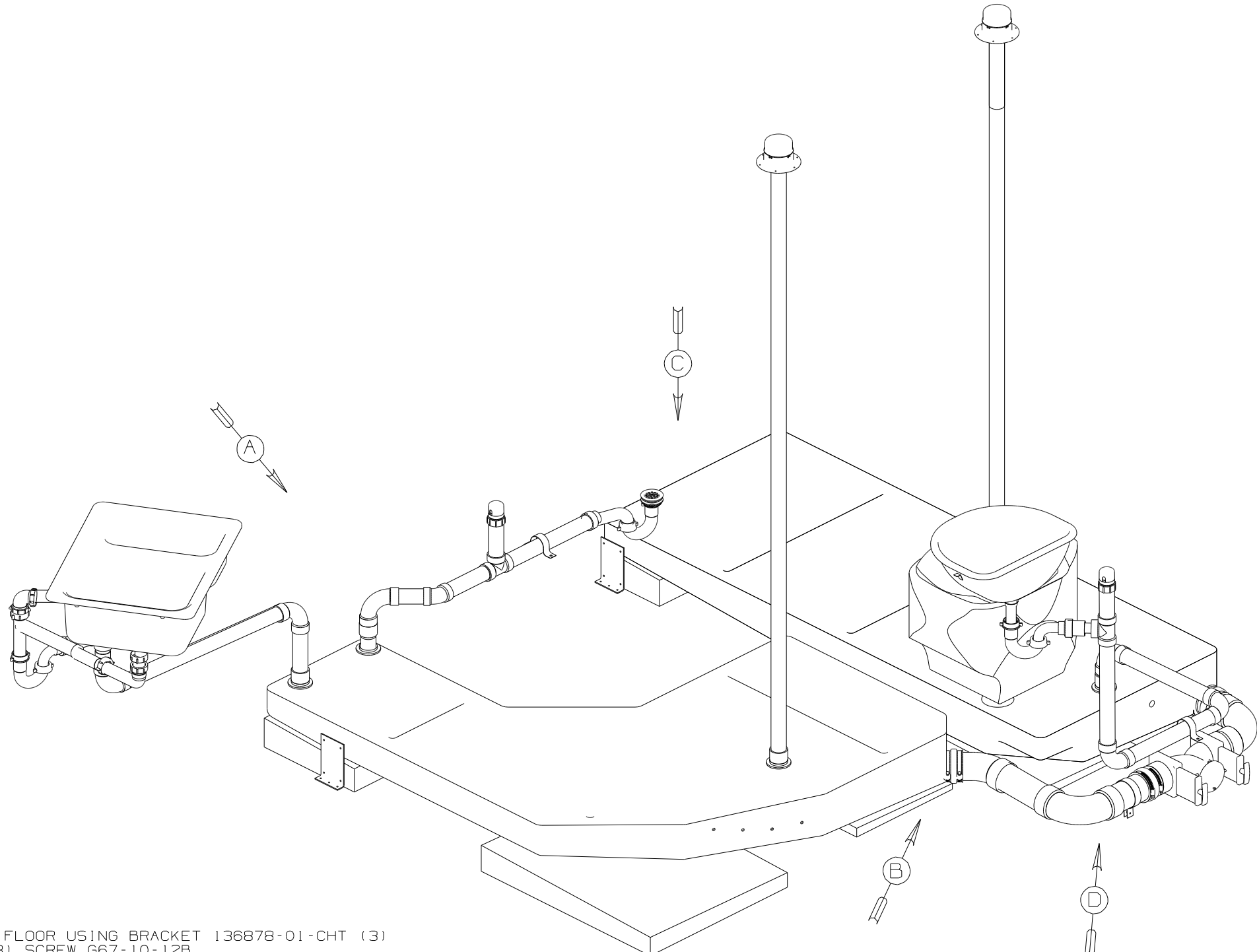


DWG NO	----
143001-01	(WIN)
143001-02	(ITA)

RELEASE	REV DATE	DWG NO	143001
REV ZONE	REVISION RECORD	DATE	DFTR-ORIG



- (WIN) WINNEBAGO ONLY
- (ITA) ITASCA ONLY
- (IB1) CODES/STANDARDS-USA
- (265) CODES/STDS-CSA/CMVSS
- (43E) TOILET-PORCELAIN ROUND
- (430) TOILET-PORCELAIN

- NOTES:
7. SECURE VENT TUBES TO FLOOR USING BRACKET 136878-01-CHT (3) CLAMP 62401-02-000 (3) SCREW G67-10-12B
 6. VENT PIPE MUST PROECT 51 MIN AND 64 MAX ABOVE ROOF FOR PROPER FIT AND FUNCTION.
 5. SEAL AROUND SHOWER WITH SILICONE.
 4. ALL EXTERIOR OPENINGS AROUND PIPE TO BE SEALED WITH 110744-01-000.
 3. ALL PIPE AND FITTINGS TO BE ASSEMBLED WITH SOLVENT 4020-01-000.
 2. SLOPE OF TRAP ARM MUST BE 6 PER 305 mm.
 1. SLOPE OF HORIZONTAL PIPING TO BE MIN 3 PER 305 mm.

(X-X)
FOR
DRAINAGE
CALLOUTS
SEE DWG NO
116229-01-000

WINNEBAGO		COPYRIGHT 2002 WINNEBAGO INDUSTRIES, INC.	
DFTR	ORIG. DATE	ALL DIMENSIONS ARE IN MILLIMETERS	
CHKR		FIRST USED	
P.E.		03 G31Y	
M.E.		UNSPECIFIED TOLERANCES ARE:	
DSNR		MATERIAL:	
		WHOLE DIM (X)	: 3
		ONE-PLACE (X.X)	:
		TWO-PLACE (X.XX)	:
		ANGLE	:
		THIRD ANGLE PROJECTION	
DO NOT SCALE DRAWING			
TITLE: DRAINAGE SYSTEM INSTL			
SHEET 1 OF 3	PART NO	143001	
REF: 138576 1 01/16/03			

SINK-SMC, DBL L/S BASIN
 136828-01-CHT (US/CAN)
 STRAINER
 92303-01-000 (2)
 ANGLE
 140002-01-CHT (10)
 SCREW
 G67-10-08B (8)
 WASHER
 127440-02-CHT (2)
 SEAL
 (A/R)

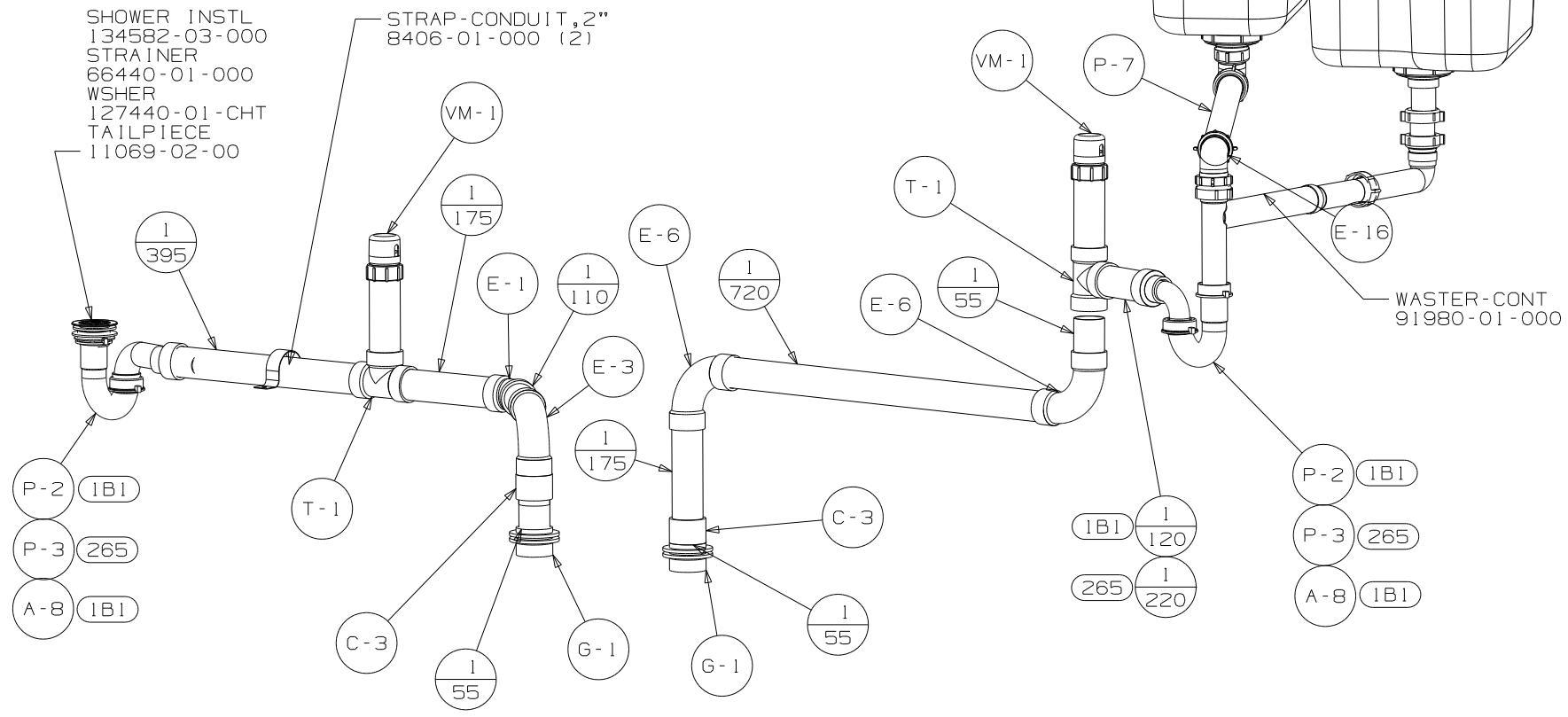
TOILET-AURORA CHINA
 ITA 430 132389-01-CHT
 WIN 43E 134789-01-CHT

SINK
 142285-01-CHT
 SCREW
 G67-08-10U (8)
 SEAL
 (A/R)
 STRAINER
 106116-01-CHT (WIN)
 GASKET
 106116-02-CHT (WIN)
 141491-01-CHT (ITA)

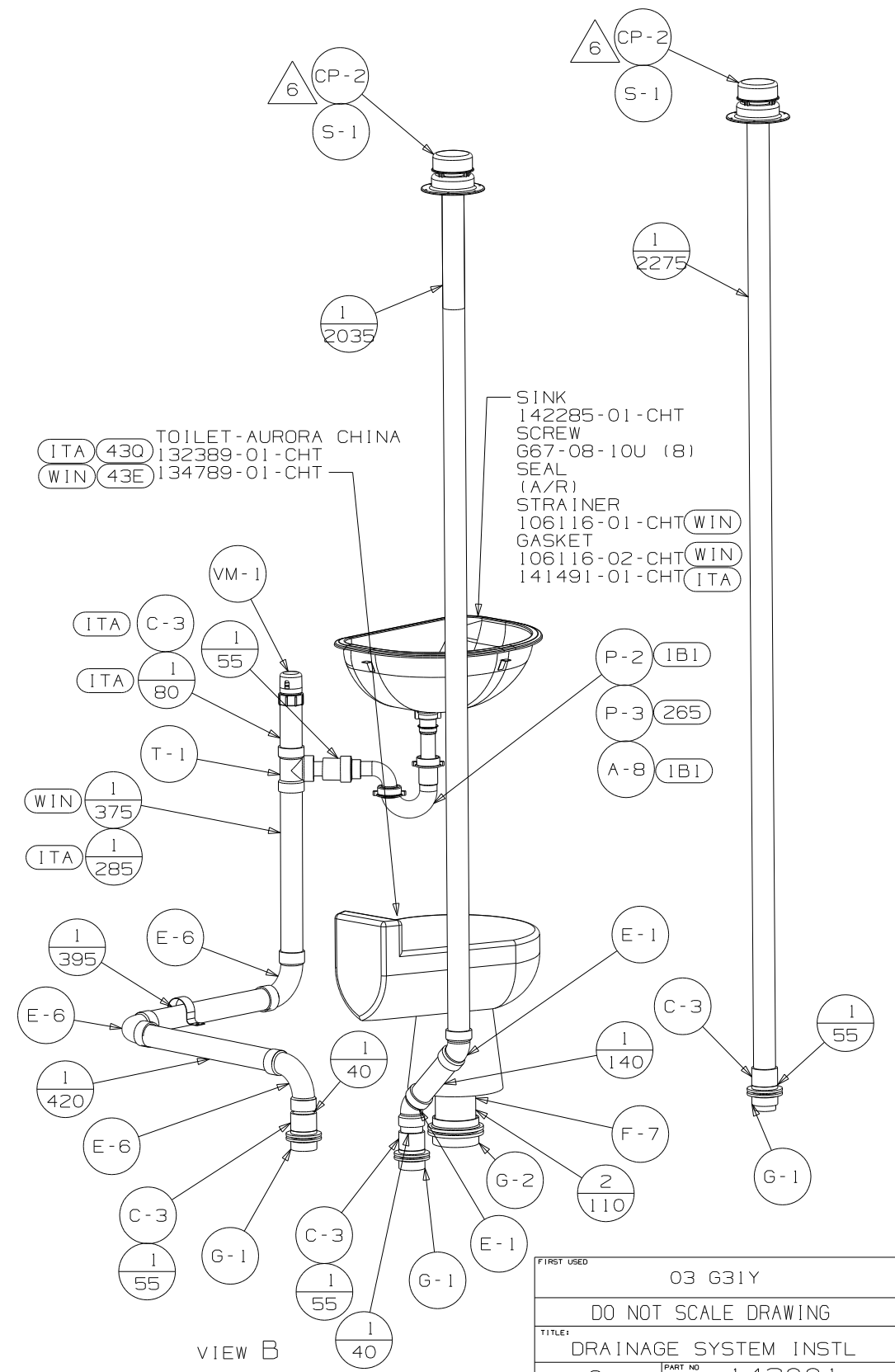
SHOWER INSTL
 134582-03-000
 STRAINER
 66440-01-000
 WSHR
 127440-01-CHT
 TAILPIECE
 11069-02-00

STRAP-CONDUIT, 2"
 8406-01-000 (2)

WASTER-CONT
 91980-01-000

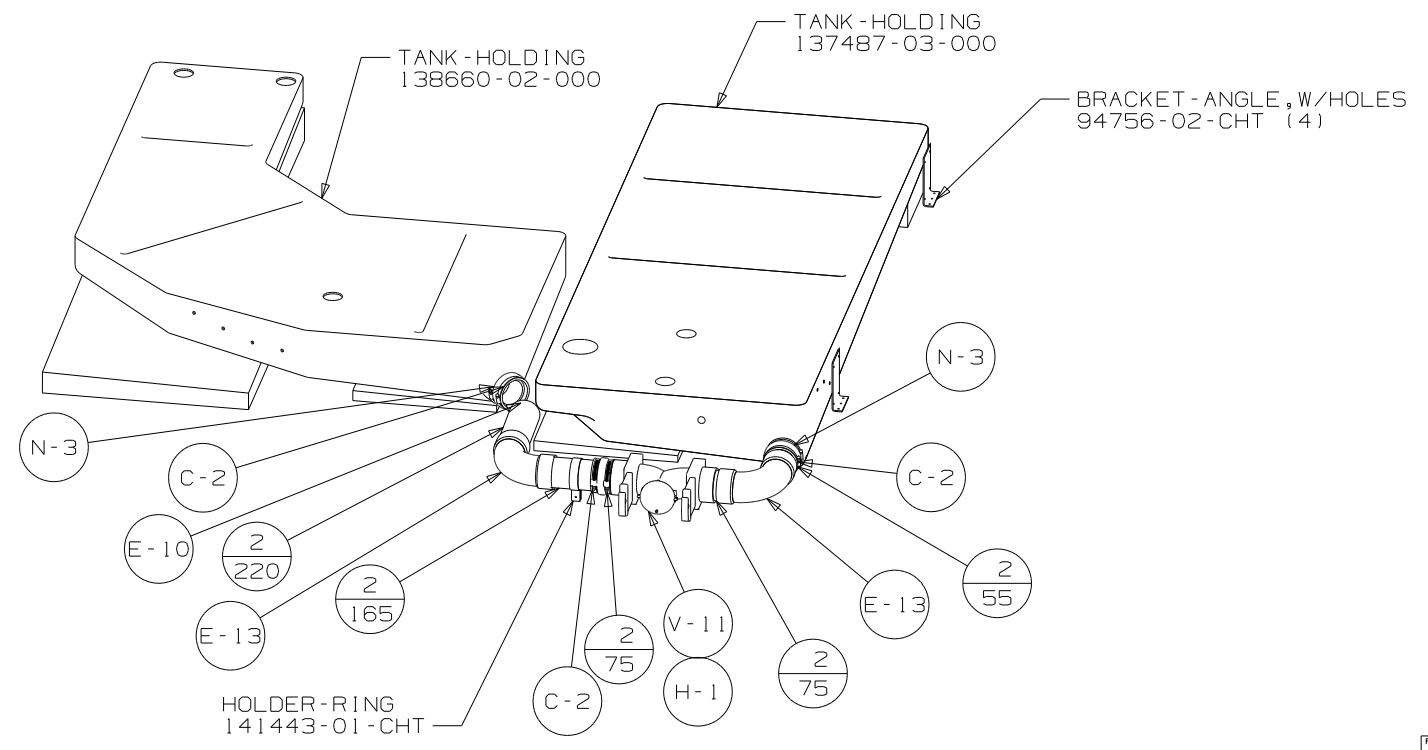
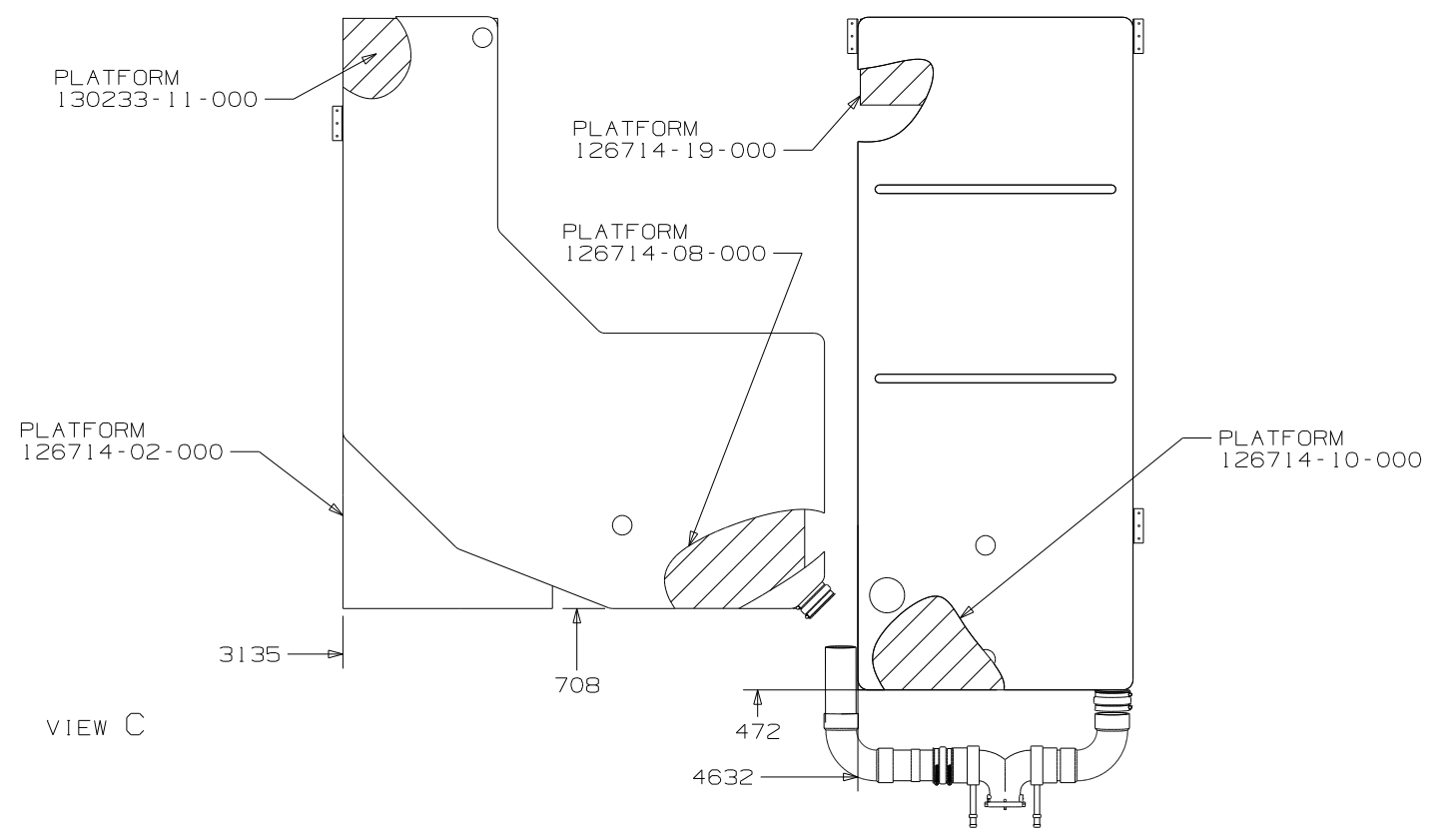
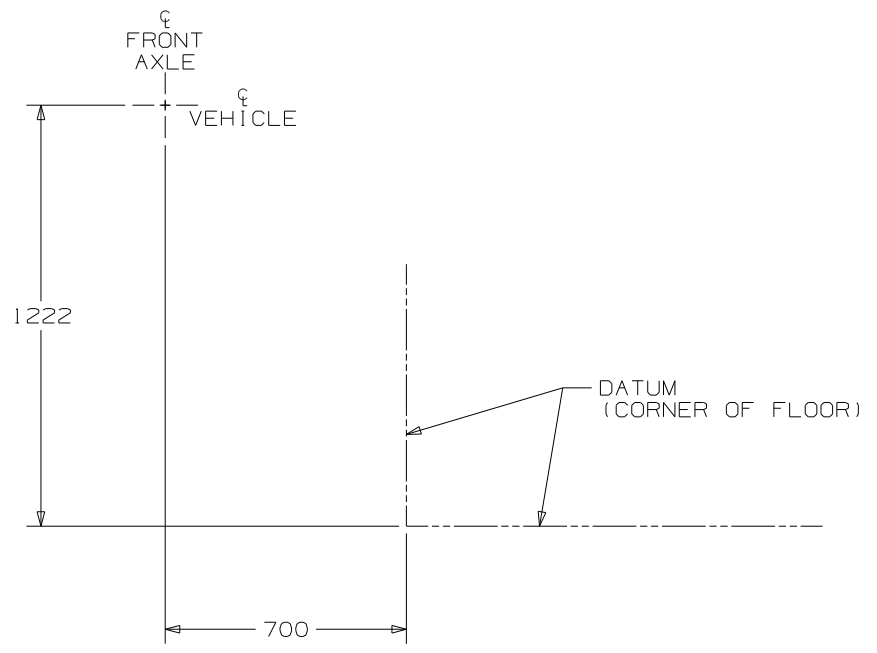


VIEW A



VIEW B

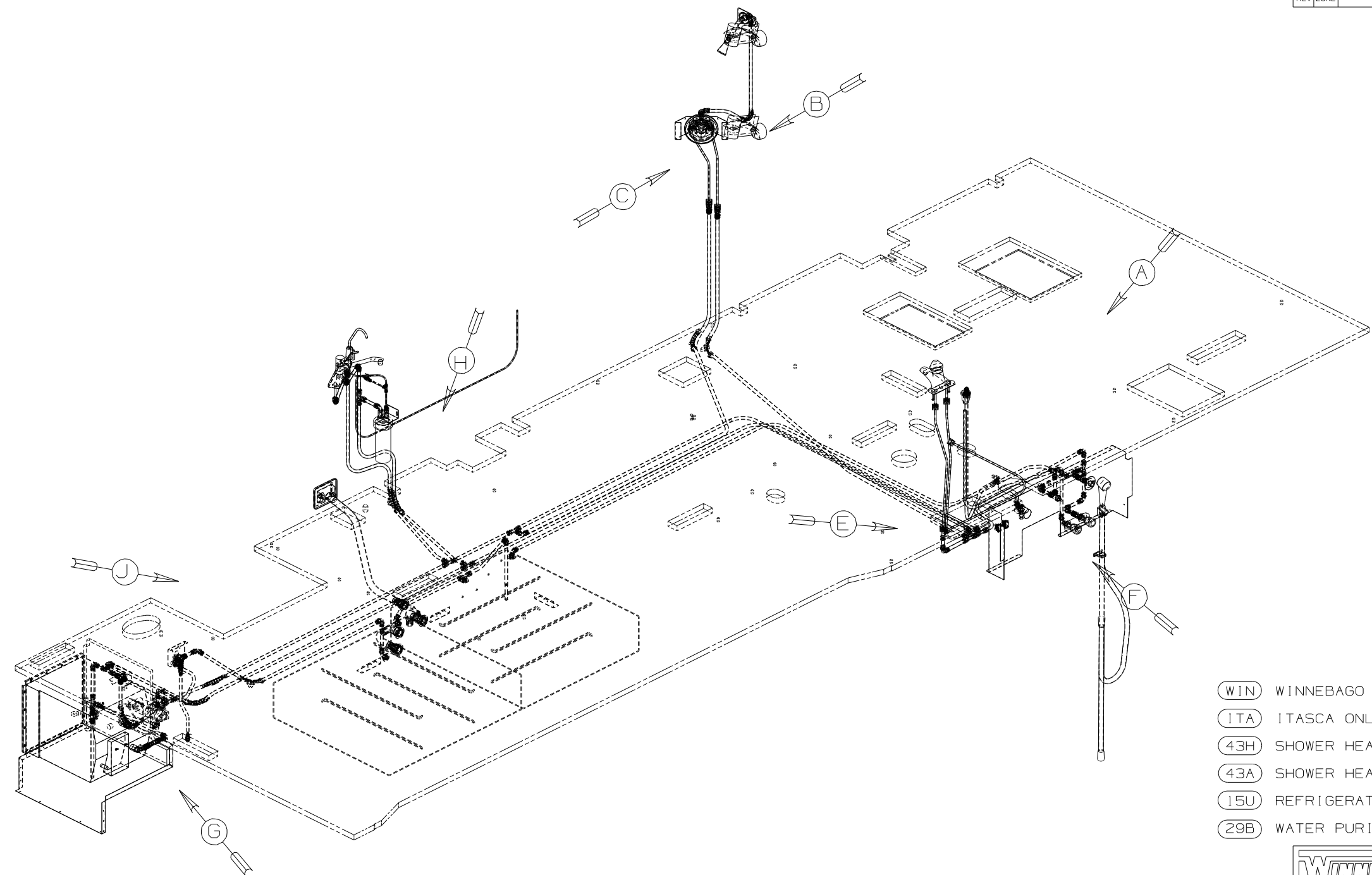
FIRST USED	03 G31Y
DO NOT SCALE DRAWING	
TITLE:	DRAINAGE SYSTEM INSTL
SHEET 2	PART NO 143001



FIRST USED	03 G31Y
DO NOT SCALE DRAWING	
TITLE	DRAINAGE SYSTEM INSTL
SHEET 3	PART NO 143001

DWG NO	----
143000-01	(WIN)
143000-02	(ITA)

RELEASE	REV DATE	DWG NO
A		143000
REV ZONE	REVISION RECORD	DATE
		DFTR-0R16



- (WIN) WINNEBAGO ONLY
- (ITA) ITASCA ONLY
- (43H) SHOWER HEAD-HAND HELD
- (43A) SHOWER HEAD-FIXED
- (15U) REFRIGERATOR/FRZR W/ICEMAKER
- (29B) WATER PURIFIER

- NOTES:
- 6 ADD TEFLON TAPE 10405-01-000.
 - 5 ADD TEFLON TAPE 10405-02-000.
 - 4 FLUSHING SYSTEM REQUIRES 125697-06-000 INSTRUCTION SHEET.
 3. ALL TUBING TO BE SECURED AT 1200 INTERVALS MAXIMUM WITH CLAMP 10495-01-000 OR CLIP 9151-01-000 AND SCREW 667-10-12B.
 2. TUBING TO BE INSTALLED WITH SUFFICIENT SLOPE TO PROVIDE DRAINAGE TO NEAREST VALVE.
 1. PLASTIC FITTINGS TO BE SEALED WITH SEALANT 84456-01-000.

(X-X)
FOR
WATER
CALLOUTS
SEE DWG NO
116230-01-000

WINNEBAGO		COPYRIGHT 2003 WINNEBAGO INDUSTRIES, INC.	
DFTR	ORIG. DATE	ALL DIMENSIONS ARE IN MILLIMETERS	
CHKR		FIRST USED	
P.E.		03 G31Y	
M.E.		UNSPECIFIED TOLERANCES ARE:	
DSNR		MATERIAL:	
		WHOLE DIM (X)	: 3
		ONE-PLACE (X.X)	:
		TWO-PLACE (X.XX)	:
		ANGLE	:
THIRD ANGLE PROJECTION		DO NOT SCALE DRAWING	
TITLE: WATER SYSTEM INSTL			
SHEET 1 OF 4		PART NO 143000	
REF: 138607 1 02/27/03			

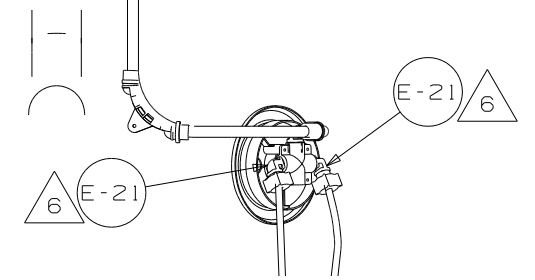
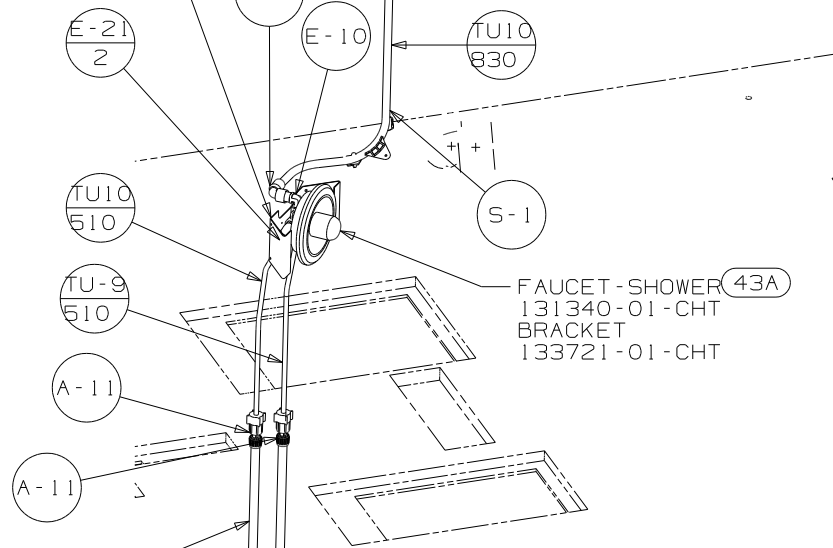
BRACKET-SHOWER CONTROL
131554-01-CHT

BRACKET
133726-01-CHT
PLATE
131549-01-CHT

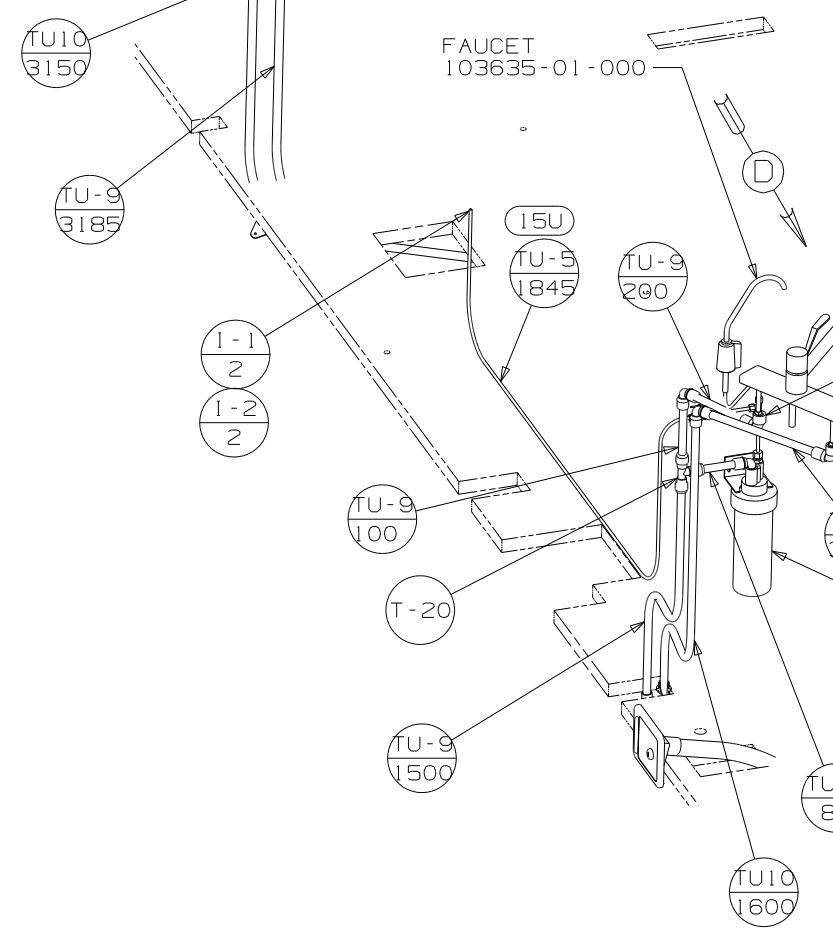
VALVE
128974-01-CHT (43A)

BREAKER-VACUUM
125697-04-000 (4)
MUST BE MOUNTED ABOVE
TOILET FLOOD LEVEL

E-29 (5)



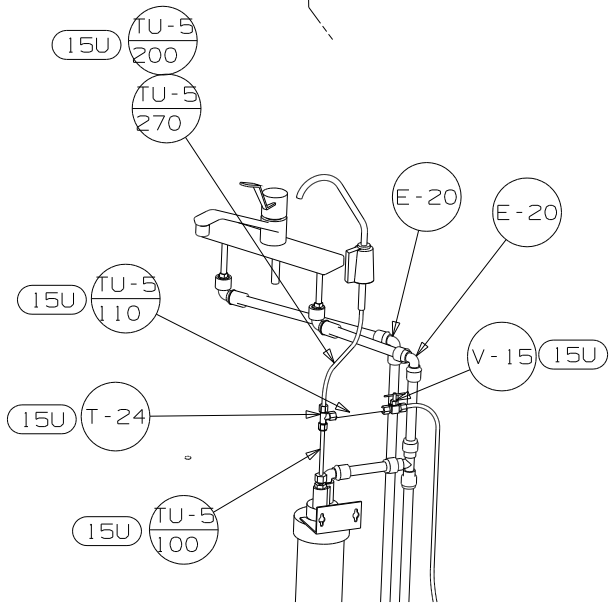
VIEW B
(BRACKETS REMOVED)



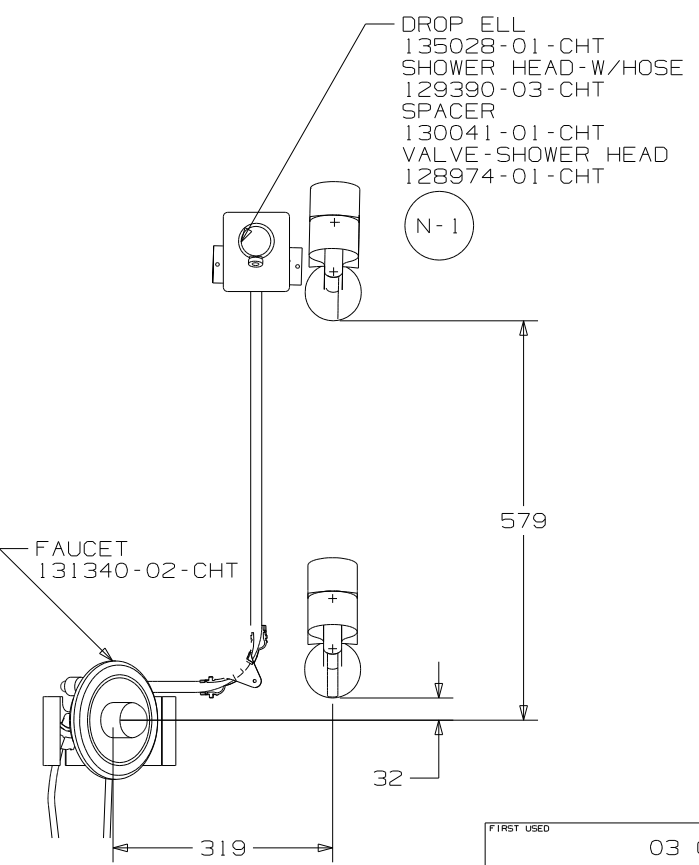
VIEW A

FAUCET
141432-01-CHT (WIN)
123744-03-CHT (ITA)
SPACER-FAUCET
137079-02-CHT

FILTER
87200-01-000
CARTRIDGE
87200-02-000
SCREW
G67-10-12U
(29B)

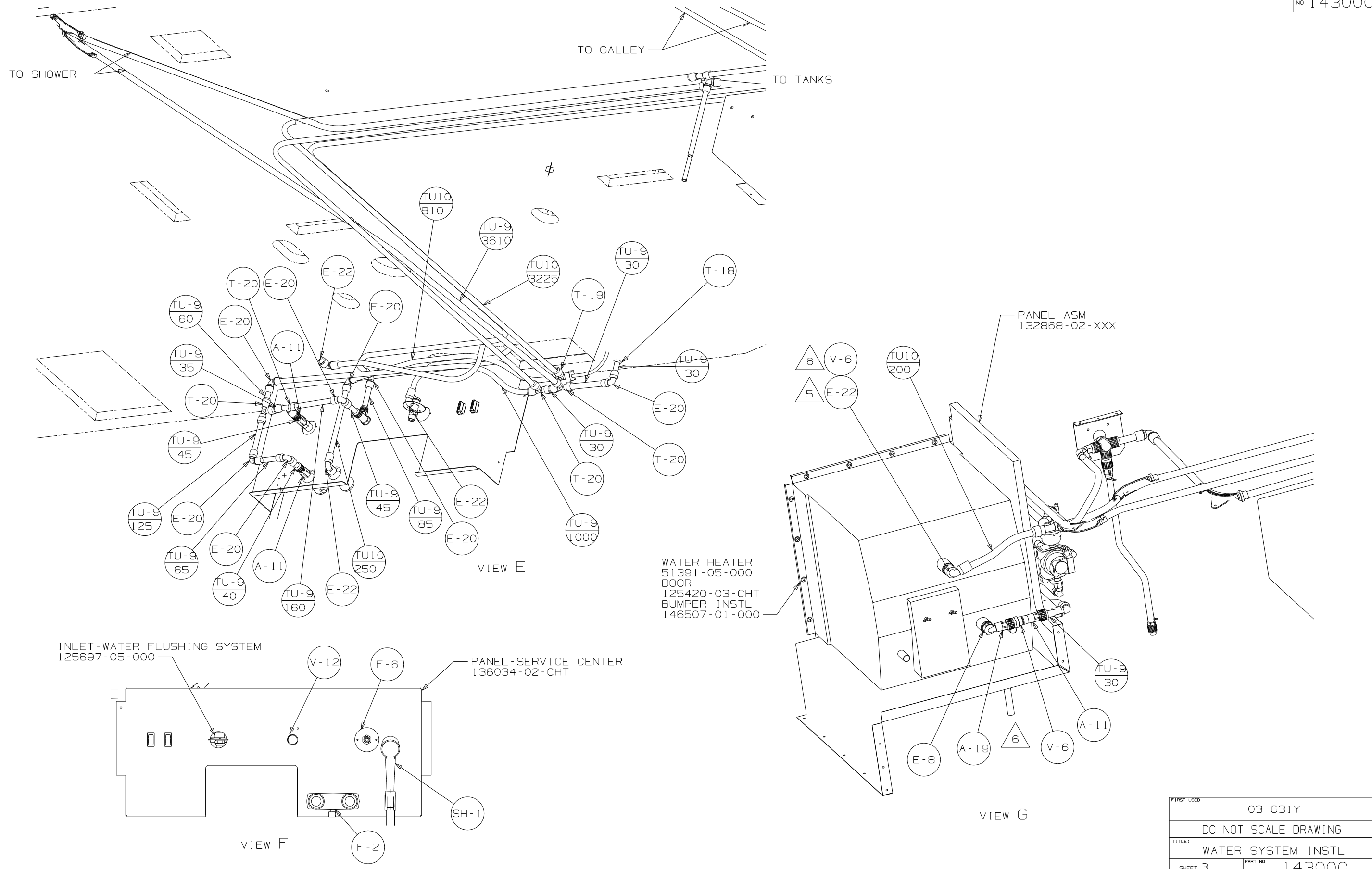


VIEW D

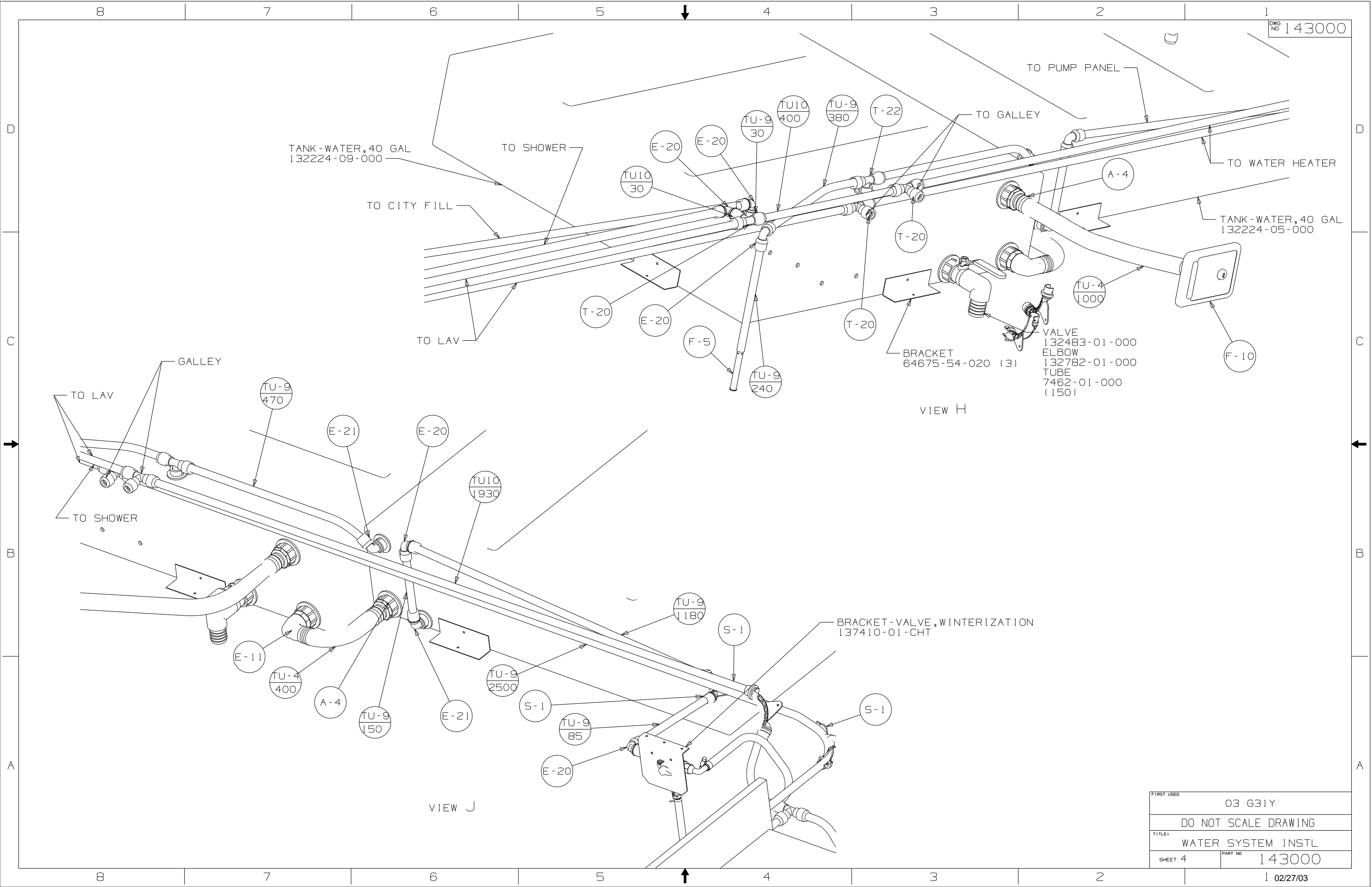


VIEW C
(43H)

FIRST USED	03 G31Y
TITLE	DO NOT SCALE DRAWING
TITLE	WATER SYSTEM INSTL
SHEET 2	PART NO 143000



FIRST USED	03 G31Y
DO NOT SCALE DRAWING	
TITLE	WATER SYSTEM INSTL
SHEET 3	PART NO 143000



VIEW H

VIEW J

FIRST USED	03 G31Y
DO NOT SCALE DRAWING	
TITLE	WATER SYSTEM INSTL
SHEET 4	PART NO 143000