



DANGER

Danger of electrical shock, burns or death. Always remove all power sources before attempting any repair, service or diagnostic work. Power can be present from shore power, generator, inverter or battery. All power sources must be disabled and secured before performing any service.




CAUTION

If you lack the skills, tools or equipment to perform diagnostic or repair work leave such work to an authorized Winnebago Industries dealer or other qualified shop.

	8	7	6	5	4	3	2	1
		G31Y	G33V	G35U	G37C	G38G		
BLK	14-UL	136131-06-036	136131-06-036	136131-06-036	136131-06-092	136131-06-036		
	14-CA	136134-06-036	136134-06-036	136134-06-036	136134-06-092	136134-06-036		
BLU	14-UL	136131-02-086	136131-02-086	136131-02-086	136131-02-213	136131-02-086		
	14-CA	136134-02-086	136134-02-086	136134-02-086	136134-02-213	136134-02-086		
BRN	14-UL	136131-03-101	136131-03-123	136131-03-130	136131-03-119	136131-03-118		
	14-CA	136134-03-101	136134-03-123	136134-03-130	136134-03-119	136134-03-118		
GLD	12-UL	N/A	N/A	N/A	136135-10-105	136135-10-136	(21M) (54E)	
	12-CA	N/A	N/A	N/A	136136-10-105	136136-10-136	(21M) (54E)	
GRN	12-UL	136135-08-088	136135-08-088	136135-08-092	136135-08-045	136135-08-111	(12D)	
	12-CA	136136-08-088	136136-08-088	136136-08-092	136136-08-045	136136-08-111	(12D)	
	12-UL	136135-08-106	136135-08-106	136135-08-111	136135-08-070	136135-08-117	(78J)	
	12-CA	136136-08-106	136136-08-106	136136-08-111	136136-08-070	136136-08-117	(78J)	
GRN 2	12-UL	136135-14-054	136135-14-054	136135-14-054	136135-14-054	136135-14-054	(12D)	
	12-CA	136136-14-054	136136-14-054	136136-14-054	136136-14-054	136136-14-054	(12D)	
PUR	14-UL	136131-04-155	136131-04-170	136131-04-120	136131-04-064	136131-04-215		
	14-CA	136134-04-155	136134-04-170	136134-04-120	136134-04-064	136134-04-215		
RED	12-UL	136135-07-106	136135-07-106	136135-07-111	136135-07-070	136135-07-117		
	12-CA	136136-07-106	136136-07-106	136136-07-111	136136-07-070	136136-07-117		
WHT	12-UL	136135-09-215	136135-09-169	136135-09-196	136135-09-236	136135-09-192	(1B2)	
	12-CA	136136-09-215	136136-09-169	136136-09-196	136136-09-236	136136-09-192	(1B2)	
YEL	14-UL	136131-05-036	136131-05-036	136131-05-036	136131-05-103	136131-05-036		
	14-CA	136134-05-036	136134-05-036	136134-05-036	136134-05-103	136134-05-036		
YEL 2	14-UL	136131-13-050	136131-13-050	136131-13-050	136131-13-108	136131-13-050	(144) (15U) (79W)	
	14-CA	136134-13-050	136134-13-050	136134-13-050	136134-13-108	136134-13-050	(144) (15U) (79W)	
MAIN	10-UL	136137-01-088	136137-01-088	136137-01-092	136137-01-045	136137-01-111	(12D)	
	10-CA	136138-01-088	136138-01-088	136138-01-092	136138-01-045	136138-01-111	(12D)	
	6-3 UL	136139-01-088	136139-01-088	136139-01-092	136139-01-045	136139-01-111	(78J)	
	6-3 CA	136140-01-088	136140-01-088	136140-01-092	136140-01-045	136140-01-111	(78J)	
MAIN GROUND		136145-01-036	136145-01-036	136145-01-036	136145-01-095	136145-01-036		
ATS GROUND		136145-01-058	136145-01-056	136145-01-060	136145-01-069	136145-01-079		
THROW IN WIRE #1	14-UL	136131-03-045	136131-03-045	136131-03-065	136131-03-056	136131-03-060		
	14-CA	136134-03-045	136134-03-045	136134-03-065	136134-03-056	136134-03-060		
THROW IN WIRE #2	14-UL	N/A	N/A	136131-04-070	136131-04-060	136131-04-060		
	14-CA	N/A	N/A	136134-04-070	136134-04-060	136134-04-060		
SLIDEOUT WIRE #1		136151-03-024	136151-03-026	136151-03-026	136151-03-055	136151-03-025		
SLIDEOUT WIRE #2		136151-04-017	136151-04-017	136151-04-017	136151-04-017	136151-04-017		
SLIDEOUT WIRE #3		N/A	N/A	N/A	136151-06-055	N/A		

- (79W) REFR - FOUR DOOR W/ICEMAKER
- (78J) ELECTRICAL SYSTEM - 50 AMP
- (54E) WASHER/DRYER
- (265) CODES/STANDARDS - CSA/CMVSS
- (21M) WASHER/DRYER - PREP
- (1B2) WTR HTR - 10GAL/ELEC/LP/MTR1ID
- (1B1) CODES/STANDARDS - USA
- (15U) REFR - DBL DOOR W/ICEMAKER
- (144) REFRIGERATOR - DOUBLE DOOR
- (12D) ELECTRICAL SYSTEM - 30 AMP

(1B1) (265)

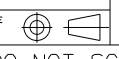


COPYRIGHT 2002 WINNEBAGO INDUSTRIES, INC.

DFTR	ORIG. DATE
CHKR	ALL DIMENSIONS ARE IN MILLIMETERS
P.E.	
M.E.	FIRST USED
DSNR	03 G-SERIES

UNSPECIFIED TOLERANCES ARE: MATERIAL:

WHOLE DIM (X)	:	.
ONE-PLACE (X.X)	:	.
TWO-PLACE (X.XX)	:	.
ANGLE	:	.

THIRD ANGLE PROJECTION 

DO NOT SCALE DRAWING

TITLE: LOAD CENTER/ATS ASM

SHEET 1 OF 5 PART NO 141046

REF:137918 1 04/11/03

D

D

C

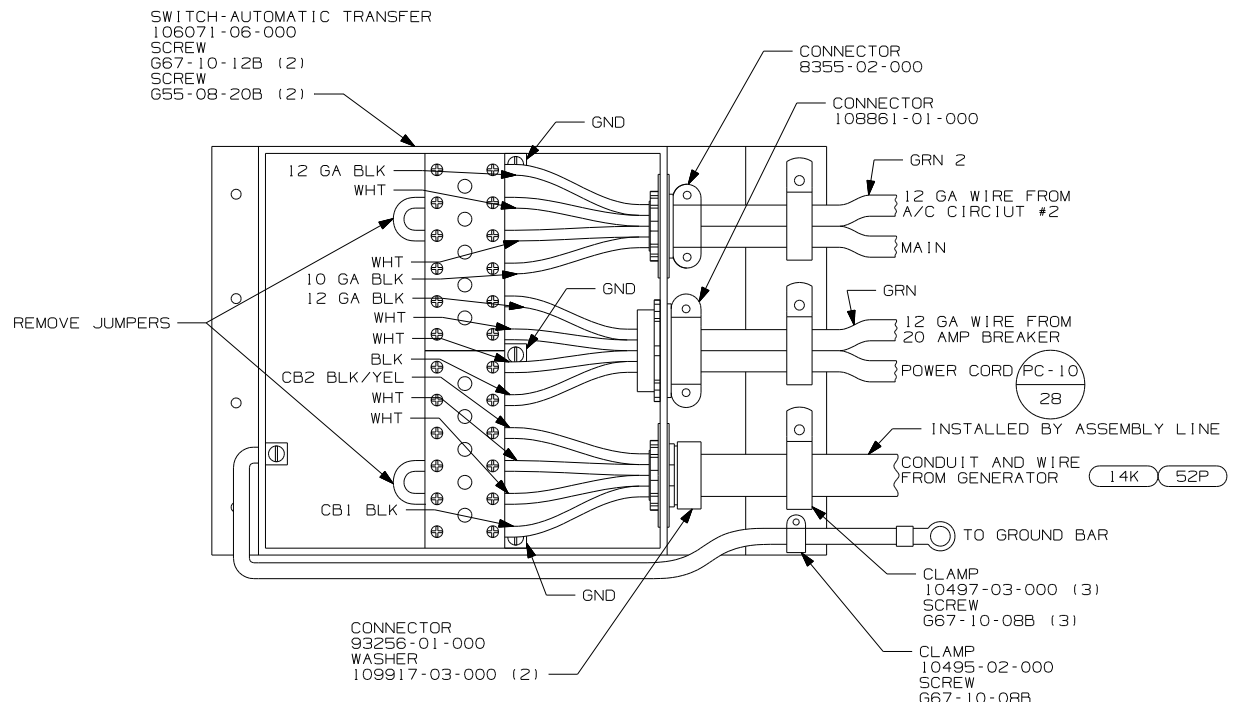
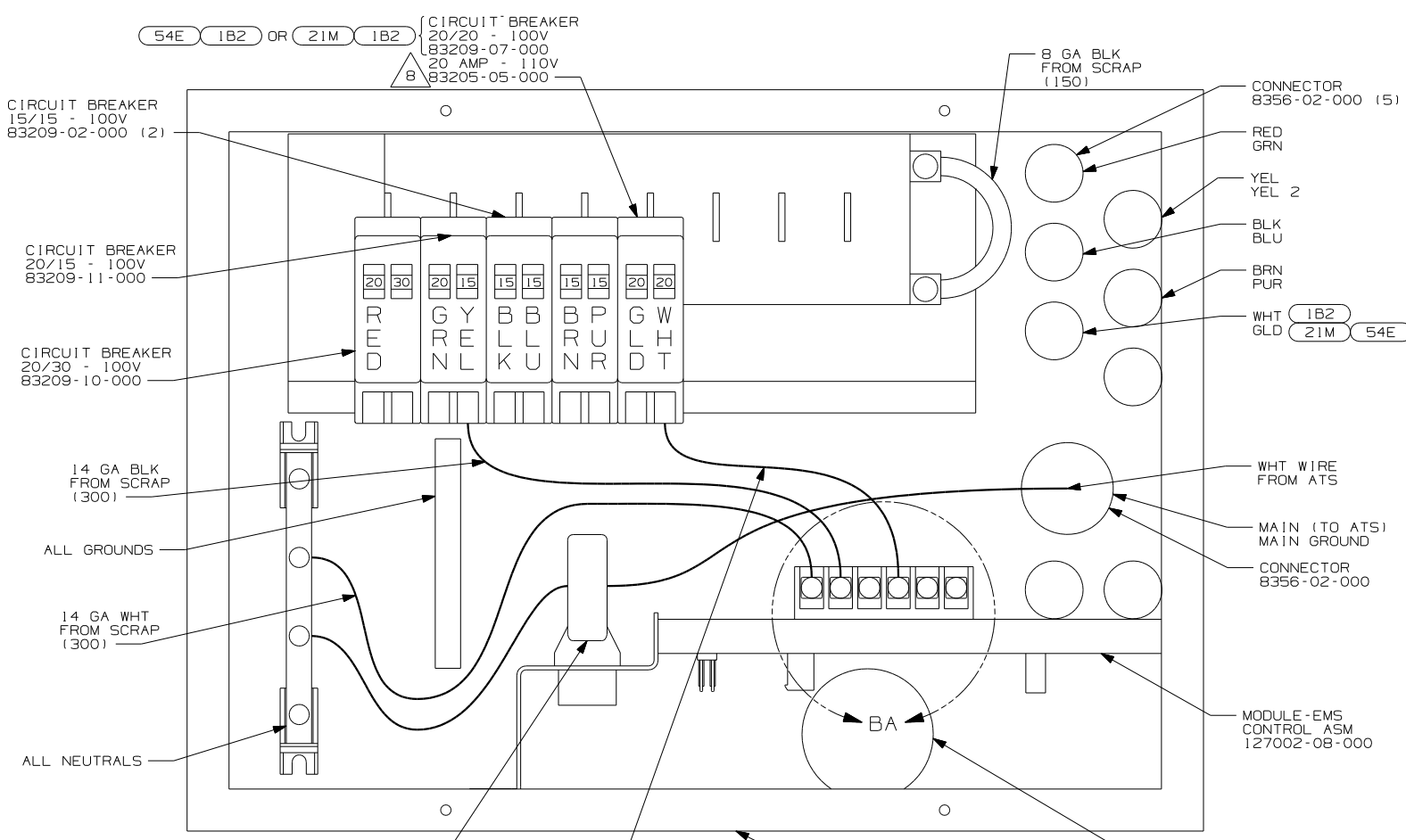
C

B

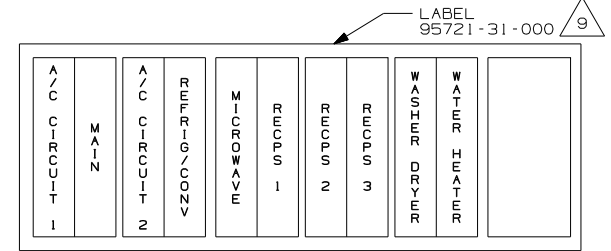
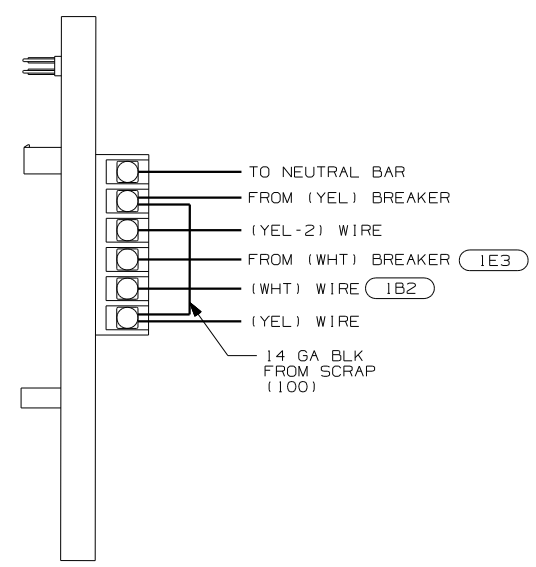
B

A

A



LOAD CENTER - 120/240, 100A
 141258-01-000 COVER
 141258-02-000 (9)
 SCREW
 667-10-12B (4)
 (SHOWN WITH COVER REMOVED)



INSTALL LABEL ON FRONT COVER PLATE BELOW THE BREAKERS

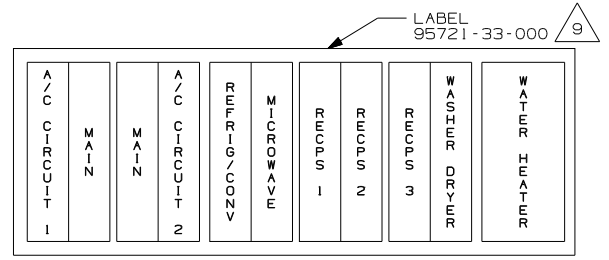
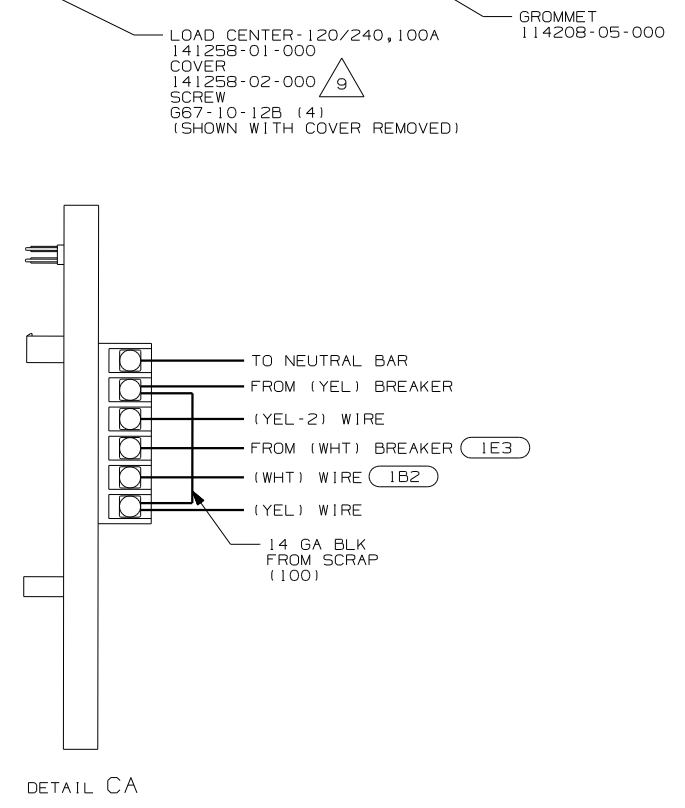
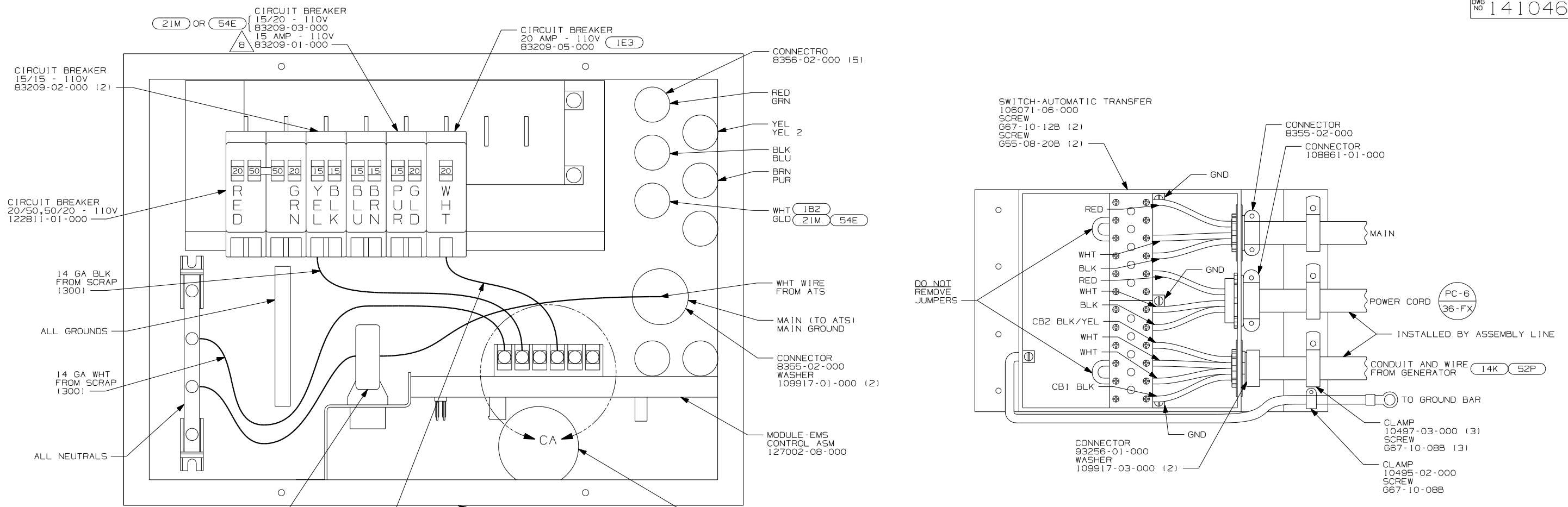
- 9 INSTALLED BY ASSEMBLY LINE
 8 WITHOUT 21M OR 54E.
- ALL WIRES MUST BE 500MM LONG INSIDE BOX.
 - WIRE TIE THE FOLLOWING WIRES FOR THE FIRST 1600MM; RED, GREEN, PURPLE, BROWN, 10/2, BLACK, YELLOW, YELLOW-2, AND WHITE, LEAVE THE BLUE WIRE OUT OF THE WIRE TIES.
 - ATTACH WIRES TO BACKSIDE OF LOAD CENTER, USE EXISTING HOLES AND TIE-WIRE 116673-01-000.
 - ALL 110V STRANDED WIRE W/O TERMINALS TO BE STRIPPED 10MM AND SOLDER DIPPED.
 - ALL WIRES TO BE CLAMPED WITHIN 200MM OF ATS.
 - GROUND WIRES ARE NOT SHOWN FOR CLARITY.
 - ALL GROUND WIRES TO BE COVERED WITH TUBING 8041-02-000.

- 54E WASHER/DRYER
- 52P GEN-5.5KW ONAN-GAS-MARO GOLD
- 265 CODES/STANDARDS - CSA/CMVSS
- 21M WASHER/DRYER - PREP
- 1E3 ENERGY MANAGEMENT SYSTEM
- 1B2 WTR HTR - 10GAL/ELEC/LP/MTRAITD
- 1B1 CODES/STANDARDS - USA
- 14K GEN-7.0KW ONAN-GAS-MARO GOLD
- 12D ELECTRICAL SYSTEM - 30 AMP

(X-X) FOR ELECTRICAL CALLOUTS SEE DWG NO. 121339-01-000

FOR ELECTRICAL TORQUE SPECIFICATIONS SEE DWG NO. 128783-01-000

FIRST USED	03 G-SERIES
TITLE	DO NOT SCALE DRAWING
TITLE	LOAD CENTER/ATS ASM
SHEET 2	PART NO 141046



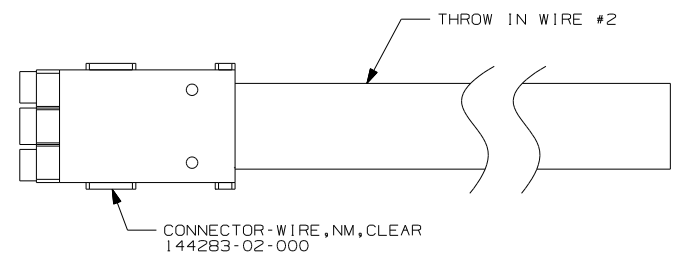
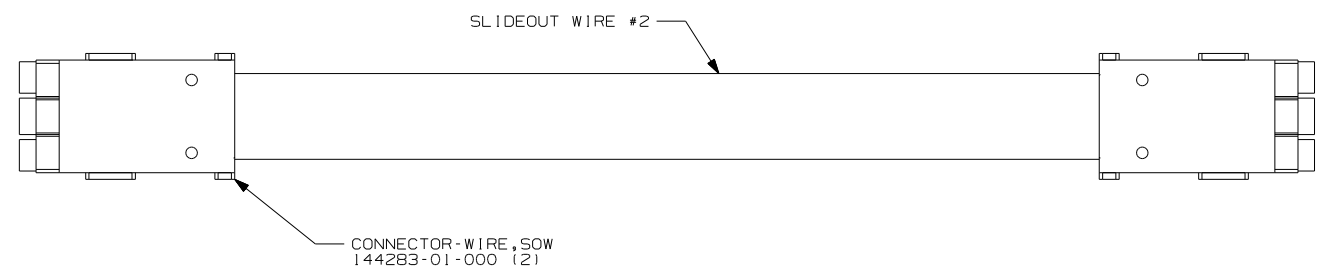
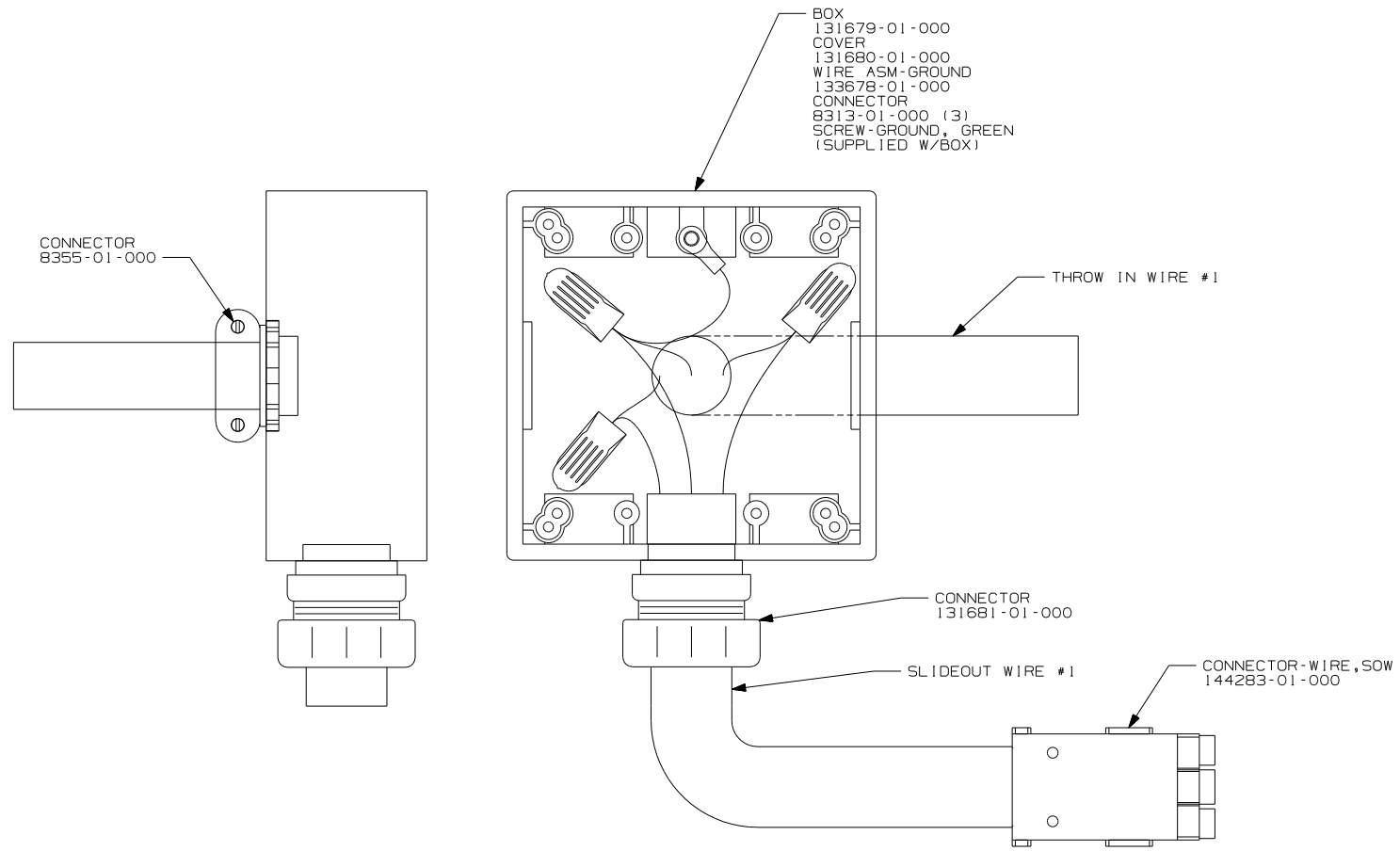
- (9) INSTALLED BY ASSEMBLY LINE
(8) WITHOUT (21M) OR (54E).
- ALL WIRES MUST BE 500MM LONG INSIDE BOX.
 - WIRE TIE THE FOLLOWING WIRES FOR THE FIRST 1600MM; RED, GREEN, PURPLE, BROWN, 10/2, BLACK, YELLOW 2, AND WHITE, LEAVE THE BLUE WIRE OUT OF THE WIRE TIES.
 - ATTACH WIRES TO BACKSIDE OF LOAD CENTER, USE EXISTING HOLES AND TIE-WIRE 116673-01-000.
 - ALL 110V STRANDED WIRE W/O TERMINALS TO BE STRIPED 10MM AND SOLDER DIPPED.
 - ALL WIRES TO BE CLAMPED WITHIN 200MM OF ATS.
 - GROUND WIRES ARE NOT SHOWN FOR CLARITY.
 - ALL GROUND WIRES TO BE COVERED WITH TUBING 8041-02-000.
- NOTES:**

FOR ELECTRICAL TORQUE SPECIFICATIONS SEE DWG NO. 128783-01-000

(X-X) FOR ELECTRICAL CALLOUTS SEE DWG NO. 121339-01-000

- (78J) ELECTRICAL SYSTEM - 50 AMP
- (54E) WASHER/DRYER
- (52P) GEN-5.5KW ONAN-GAS-MARO GOLD
- (265) CODES/STANDARDS - CSA/CMVSS
- (21M) WASHER/DRYER - PREP
- (1E3) ENERGY MANAGEMENT SYSTEM
- (1B2) WTR HTR - 10GAL/ELEC/LP/MTR1AD
- (1B1) CODES/STANDARDS - USA
- (14K) GEN-7.0KW ONAN-GAS-MARO GOLD

FIRST USED	
03 G-SERIES	
DO NOT SCALE DRAWING	
TITLE: LOAD CENTER/ATS ASM	
SHEET 3	PART NO 141046



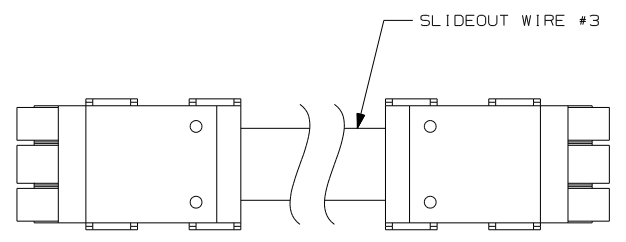
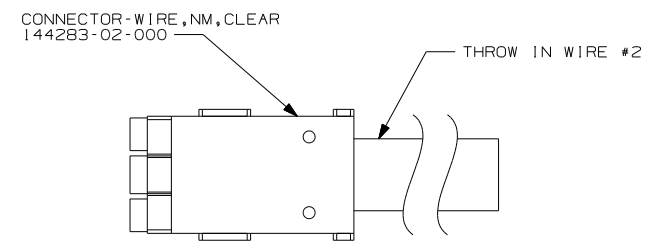
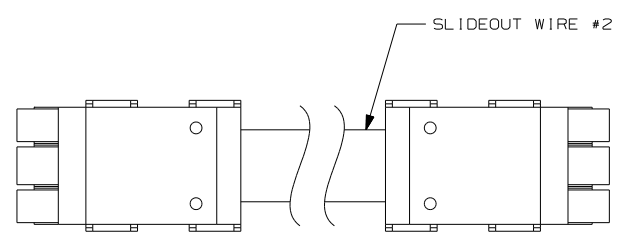
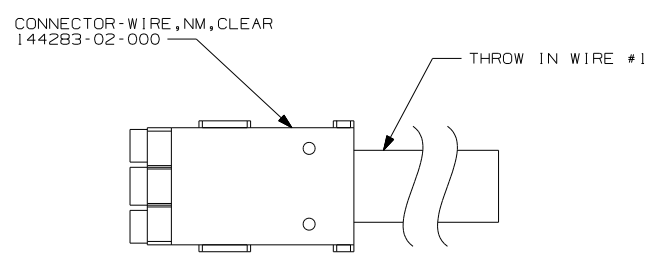
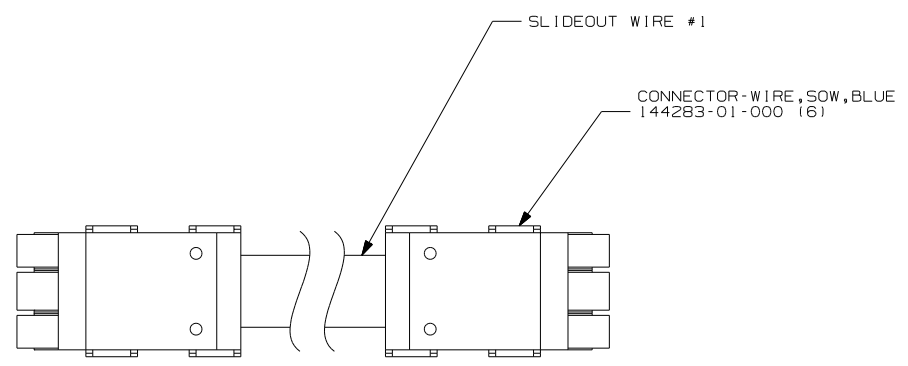
- (78J) ELECTRICAL SYSTEM - 50 AMP
- (265) CODES/STANDARDS - CSA/CMVSS
- (1B1) CODES/STANDARDS - USA
- (12D) ELECTRICAL SYSTEM - 30 AMP

(12D) (1B1) (265) (78J)

FIRST USED	
03 G-SERIES	
DO NOT SCALE DRAWING	
TITLE:	
LOAD CENTER/ATS ASM	
SHEET 4	PART NO 141046

1. THIS SHEET APPLIES TO THE G31Y,G33V,G35V AND G38G ONLY.

NOTES:



- (78J) ELECTRICAL SYSTEM - 50 AMP
- (265) CODES/STANDARDS - CSA/CMVSS
- (1B1) CODES/STANDARDS - USA
- (12D) ELECTRICAL SYSTEM - 30 AMP

(12D) (1B1) (265) (78J)

FIRST USED	
03 G-SERIES	
DO NOT SCALE DRAWING	
TITLE:	
LOAD CENTER/ATS ASM	
SHEET 5	PART NO 141046

NOTES:
1. THIS SHEET APPLIES TO THE G37C ONLY.